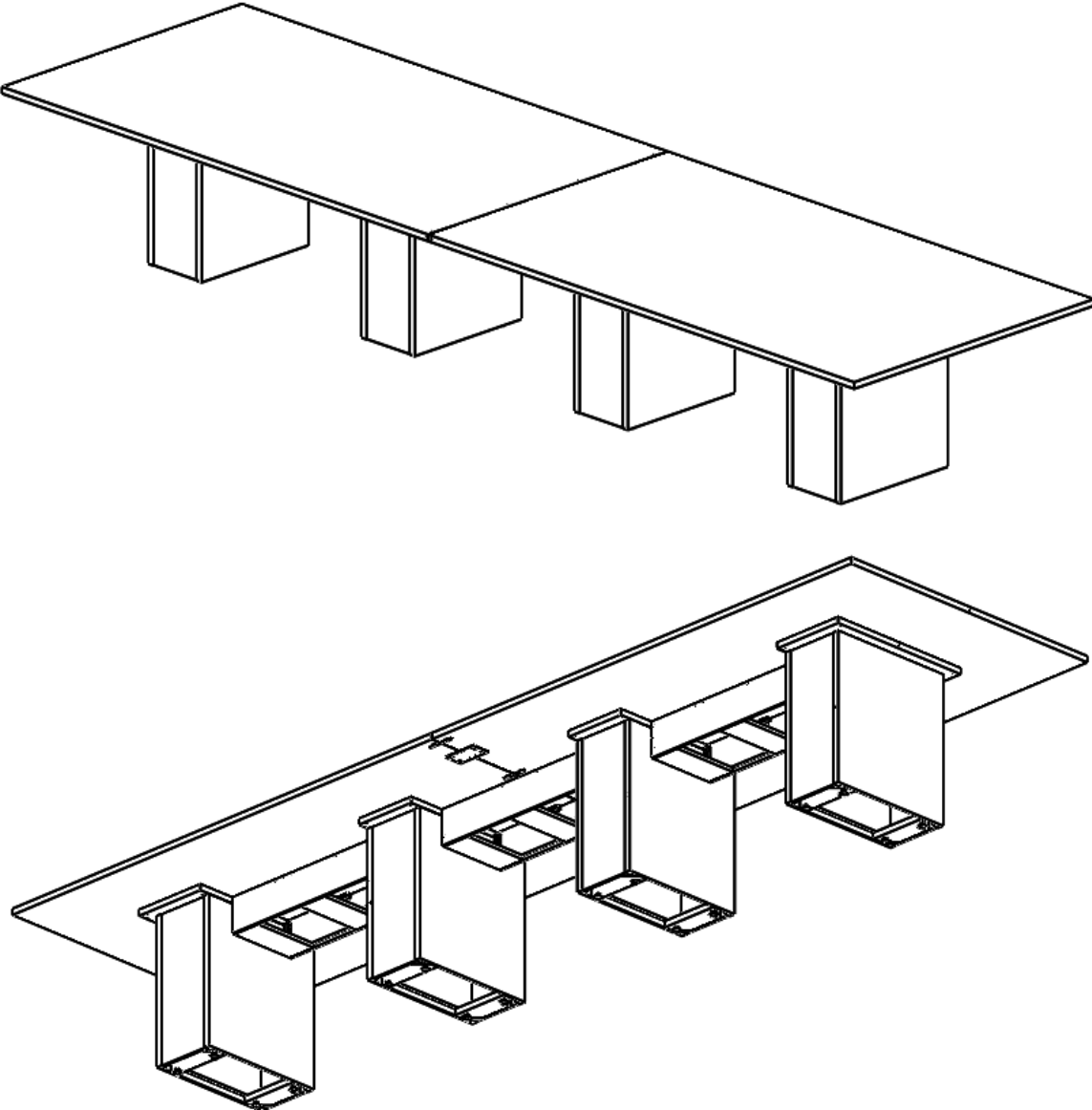

CONFERENCE TABLE
ASSEMBLY INSTRUCTIONS



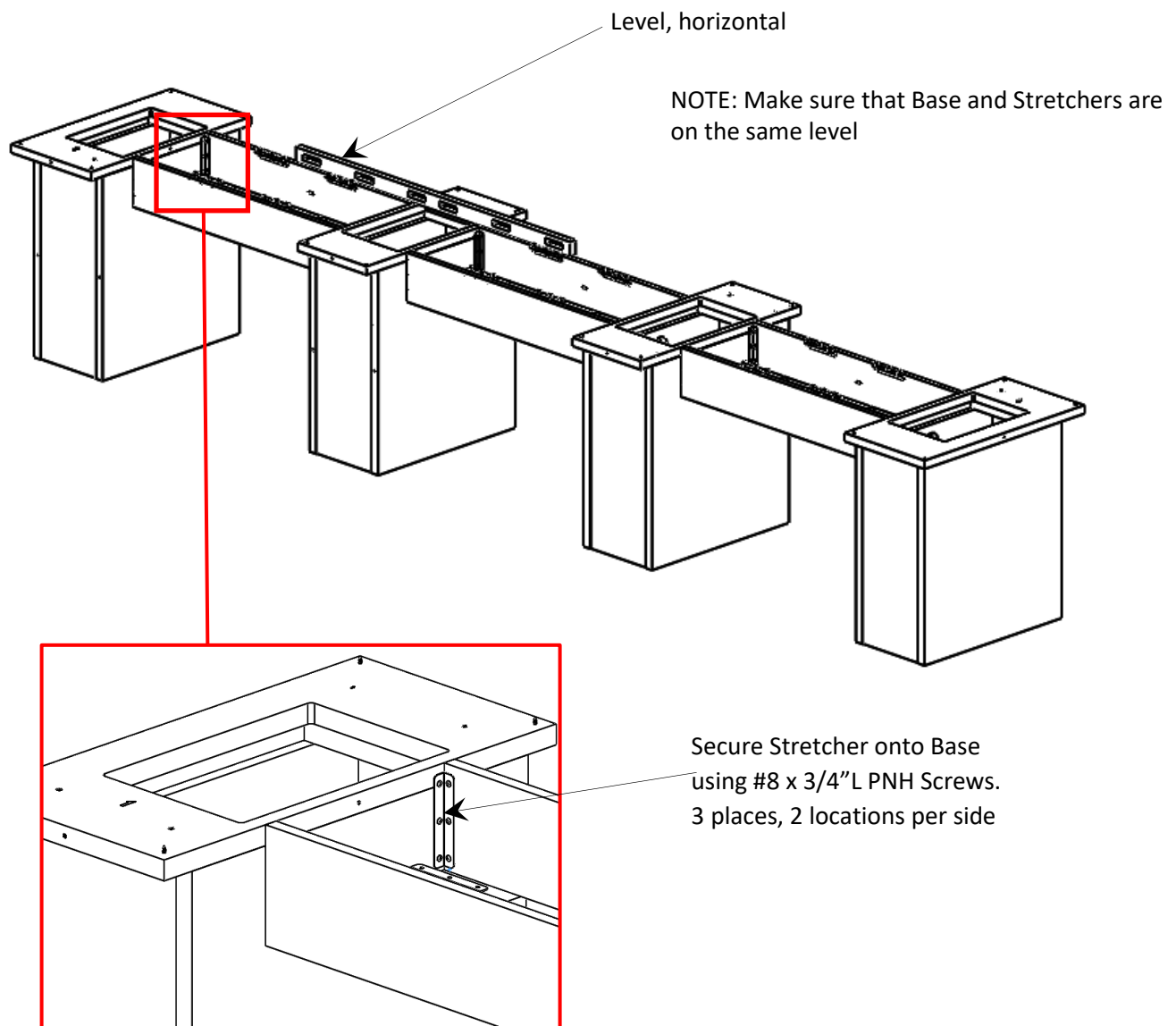
INSTALLATION INSTRUCTIONS

For STANDARD Laminate Base

Materials Needed:

1. Flat Bracket, 3-1/2" x 6-1/4", Qty of 2, (for 54" and wider Tables only)
2. Tape Measure
3. Power Screw Driver
4. Tite-Joints, Qty of 4 per Joint (For Multi-Piece Units)
5. Biscuits, Qty of 4 per Joint (5 for 54" and wider)
6. Miscellaneous screws

ASSEMBLE BASES AND STRETCHER(S)

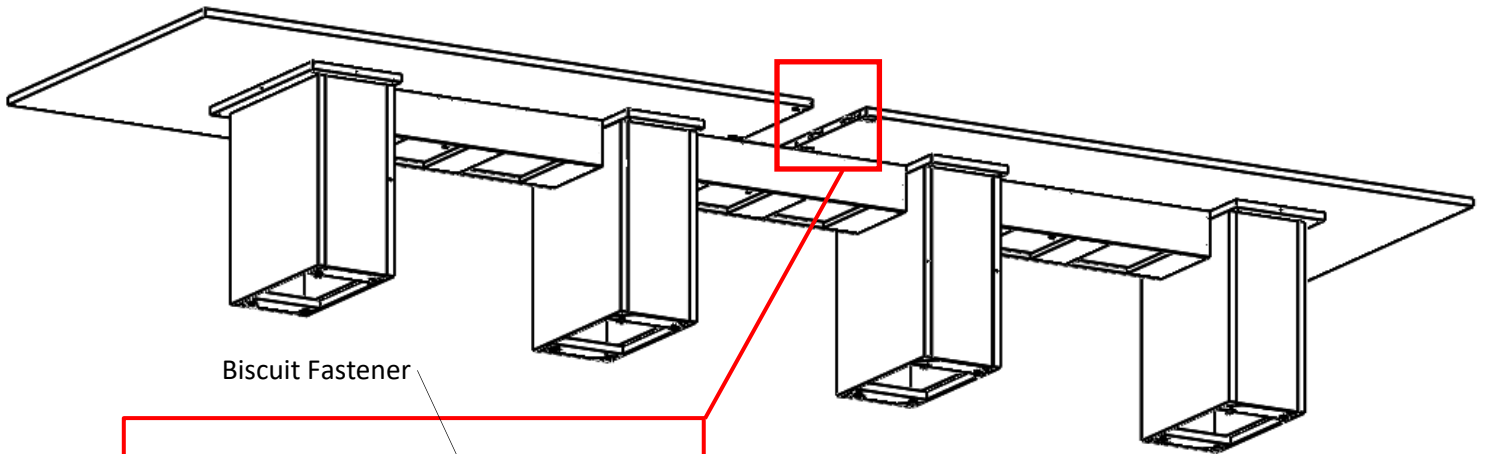
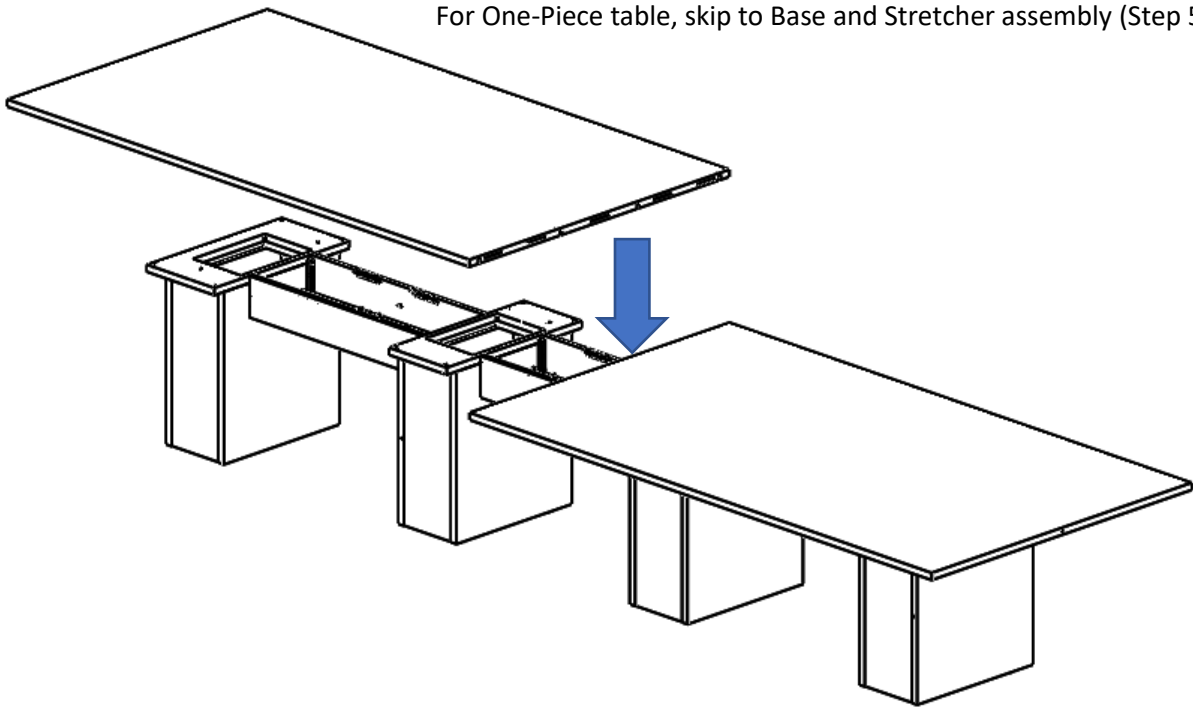


NOTE: Due to the substantial weight of the assembled unit, it is best to assemble at the location where it will be used.

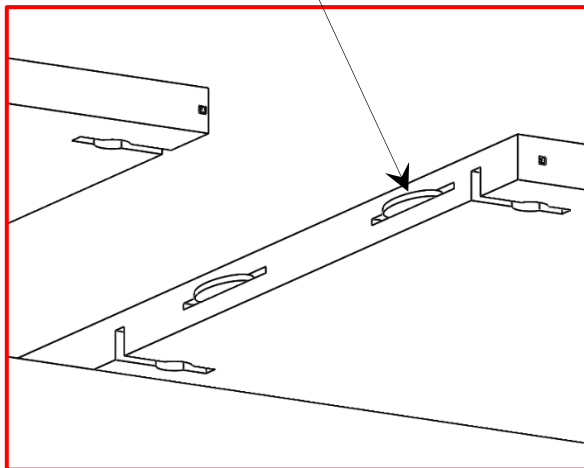
INSTALLATION INSTRUCTIONS

2 POSITION CONFERENCE TABLE SECTION(S) ON TOP OF THE BASE AND STRETCHER ASSEMBLY.

For One-Piece table, skip to Base and Stretcher assembly (Step 5).



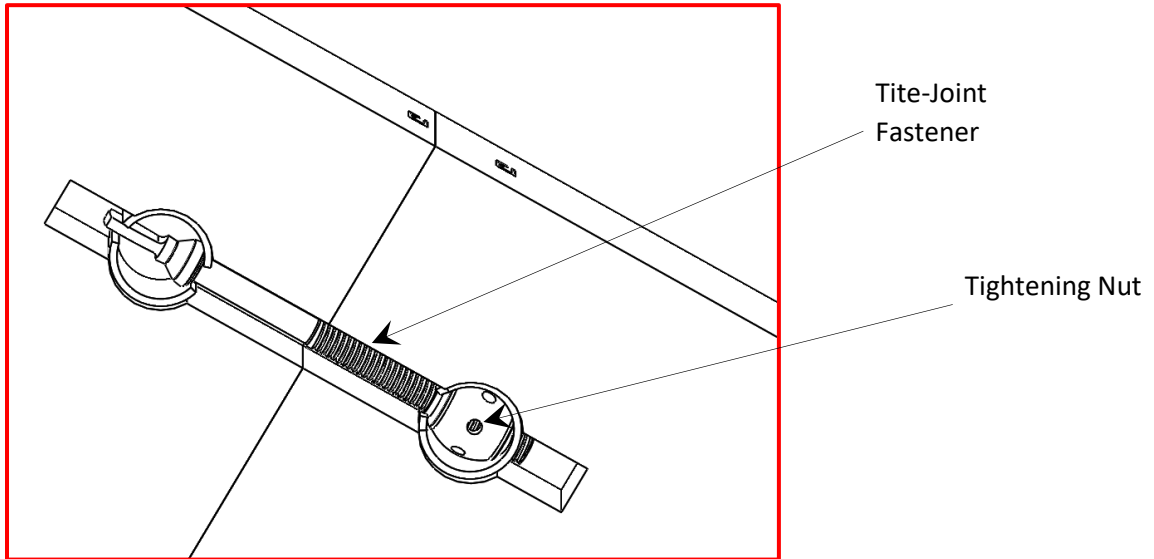
Biscuit Fastener



Insert Biscuits into slots as shown. Tables 54" and wider have five (5) biscuits, tables less than 54" have four (4) biscuits.

INSTALLATION INSTRUCTIONS

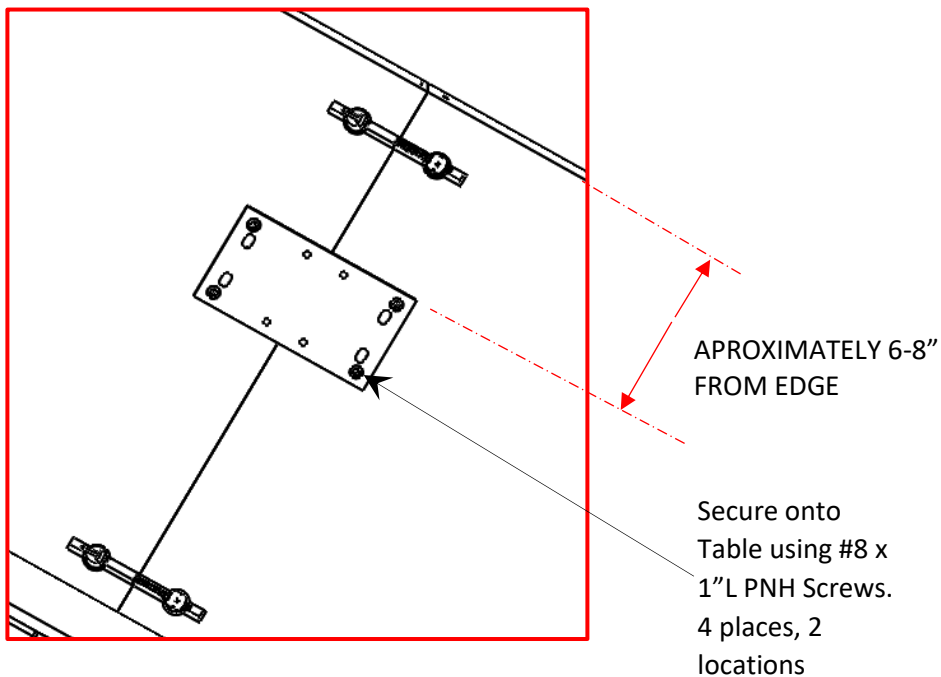
3 ASSEMBLE CONFERENCE TABLE SECTION(S)



Slide Table Sections together (guide Biscuits into receiving slots on other table section) and assemble Tite-Joints as shown.

WARNING: DO NOT OVER-TIGHTEN

4 ATTACH FLAT BRACKETS ON THE UNDERSIDE OF CONFERENCE TABLE (FOR TABLES 54" AND WIDER ONLY).



INSTALLATION INSTRUCTIONS

5 ASSEMBLE BASES AND STRETCHER(S) TO THE UNDERSIDE OF THE CONFERENCE TABLE.

