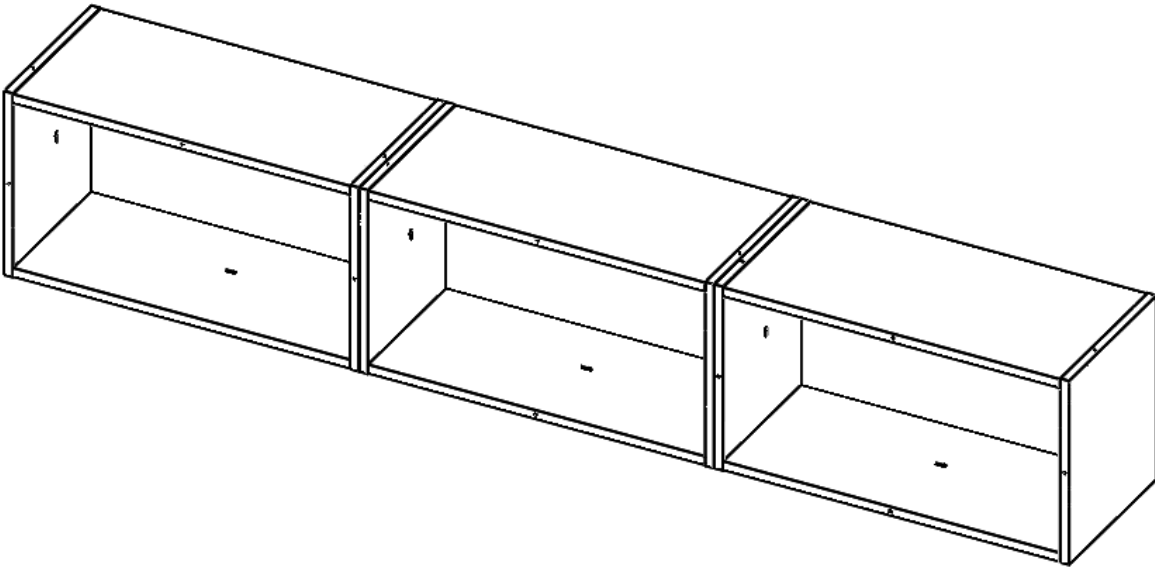

OVERHEAD CABINET
WALL MOUNTING INSTRUCTIONS



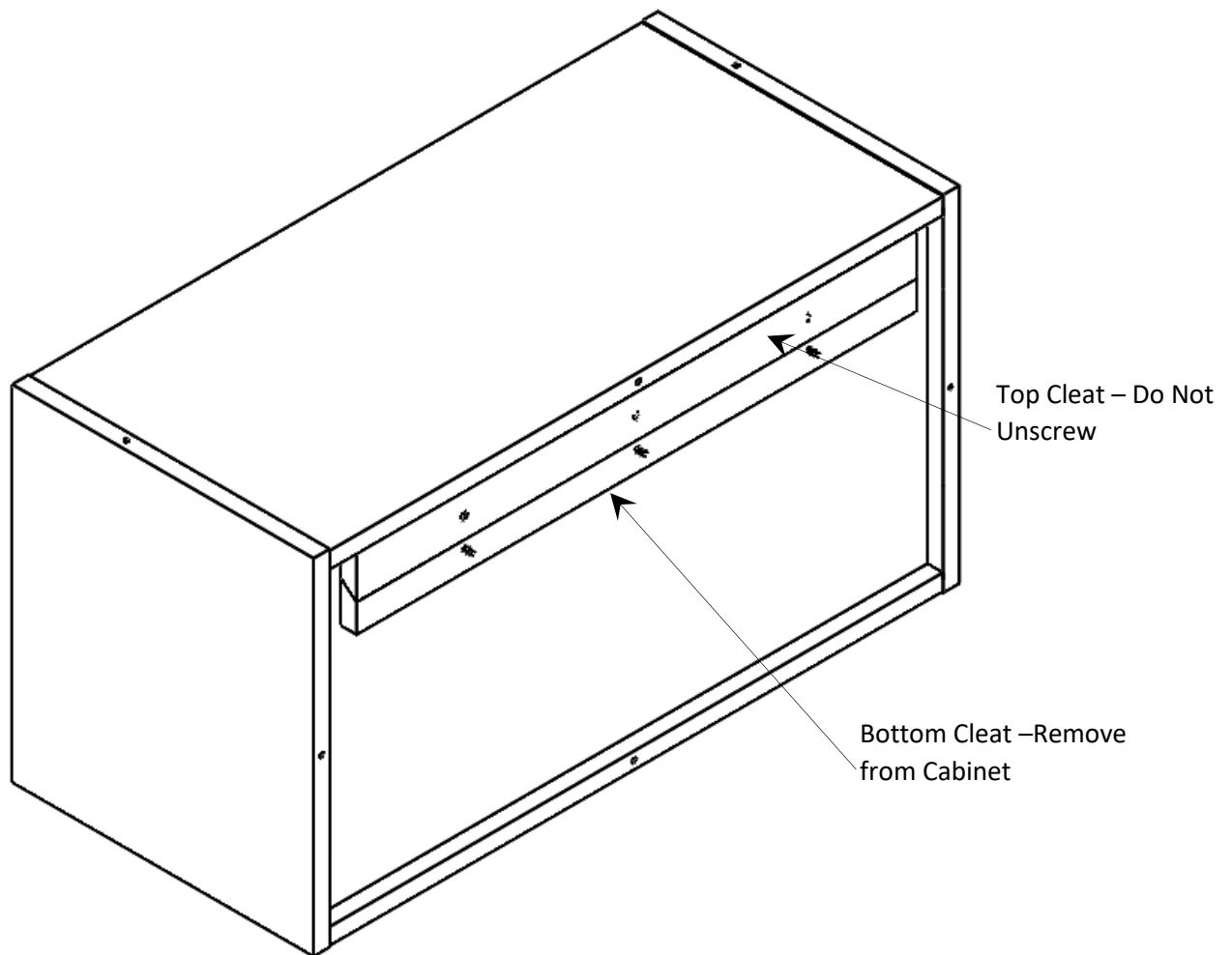
INSTALLATION INSTRUCTIONS

Materials Included:

1. Cleat, temporarily screwed on the backside of the cabinet
2. Screws. #8 X 2-1/2" L (or longer to reach studs - Provided by Installer)

NOTE: Team Lifting required (For 50 LBS and over)

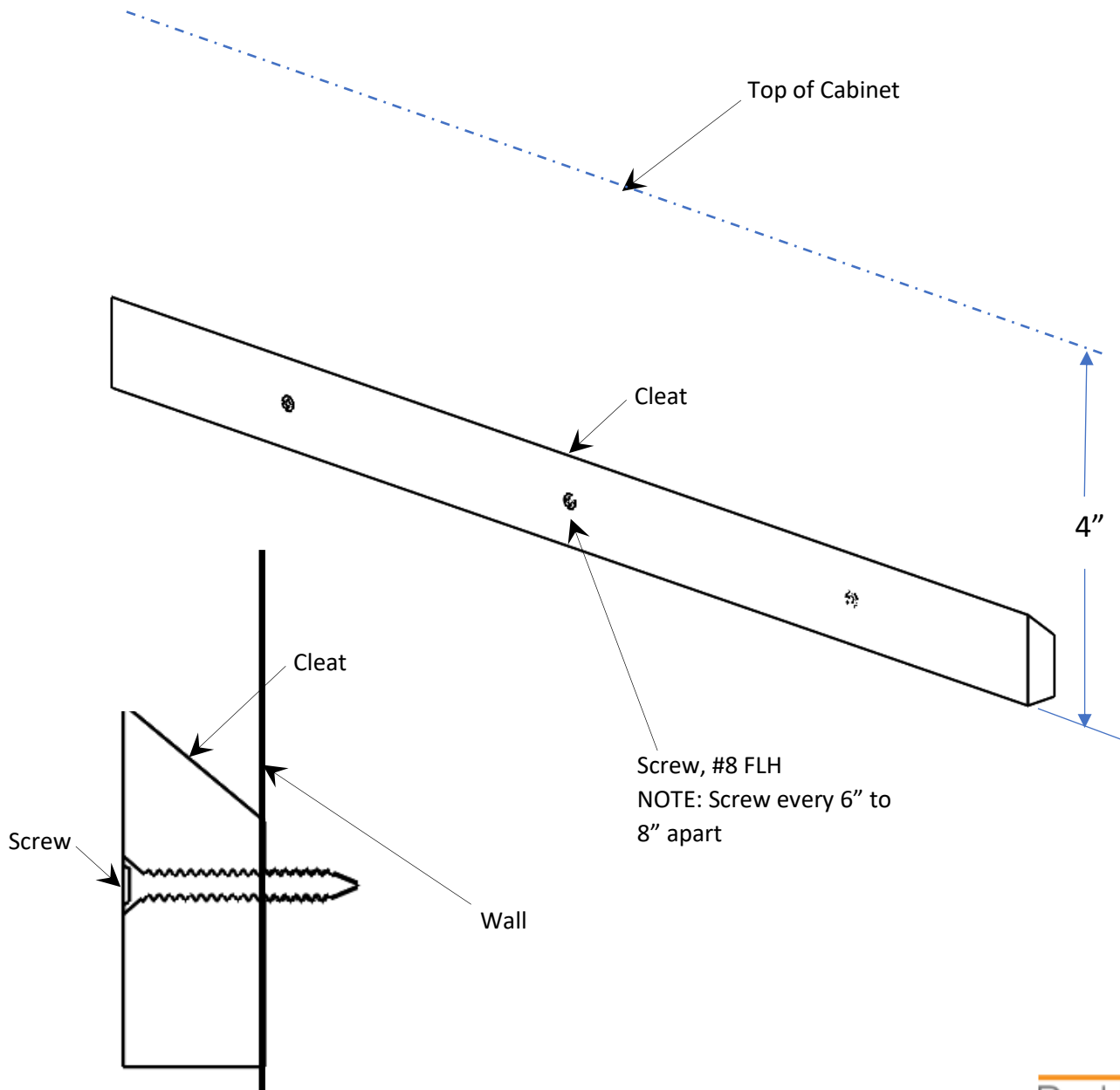
**UNSCREW THE BOTTOM CLEAT (TEMPORARILY AFFIXED TO CABINET)
FROM THE BACKSIDE OF THE CABINET (LEAVE THE TOP CLEAT INPLACE)**



INSTALLATION INSTRUCTIONS

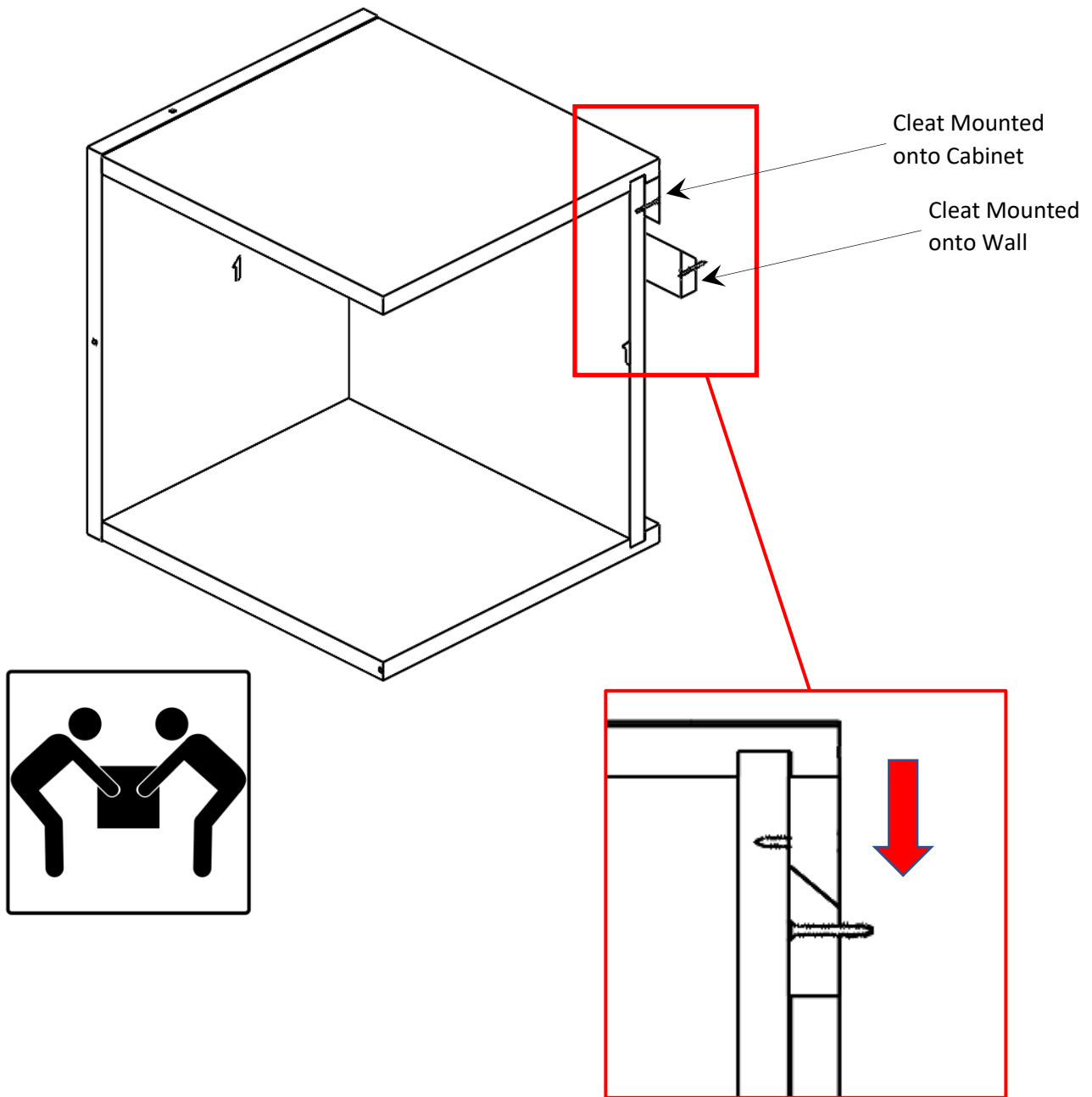
2 MARK A LINE REPRESENTING THE TOP OF THE CABINET ONTO THE WALL WHERE CABINET WILL BE MOUNTED. THEN MARK A LINE 4" BELOW WHERE THE HANGING CLEAT WILL BE INSTALLED. SCREW CLEATS ONTO WALL USING #8 x 2-1/2"L FLH SCREWS.

NOTE: IT IS NECESSARY FOR THE SCREWS TO REACH THE STUDS, OTHERWISE INSTALL WALL ANCHORS IN ACCORDANCE TO WALL ANCHOR MANUFACTURERS RECOMMENDATION.



INSTALLATION INSTRUCTIONS

3 HANG OVERHEAD CABINET ONTO INSTALLED CLEATS AS SHOWN BELOW.



INSTALLATION INSTRUCTIONS

4 SECURE WITH SCREWS FROM THE INSIDE OF THE CABINET.

