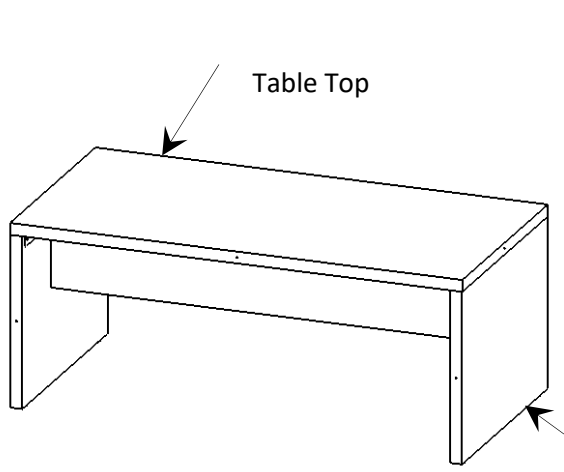

CONFLUENCE PARSONS TABLE INSTALLATION INSTRUCTIONS



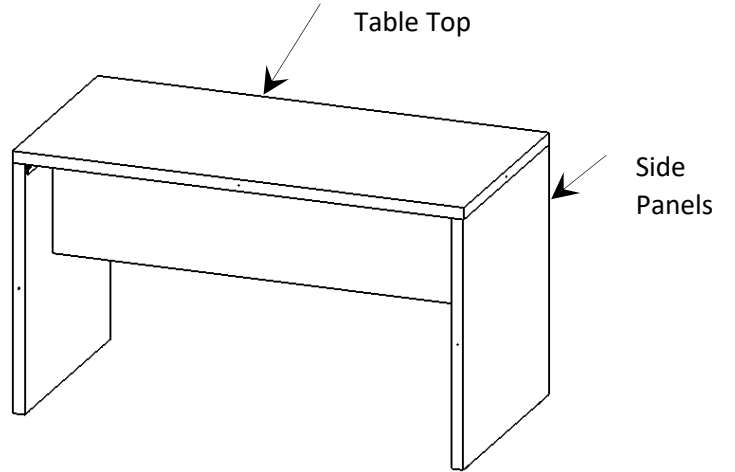
INSTALLATION INSTRUCTIONS

GRADE 1 PARSONS – 1-1/8" Thick Table Top and Side Panels

GRADE 2 PARSONS – 1-7/8" Thick Table Top and Side Panels

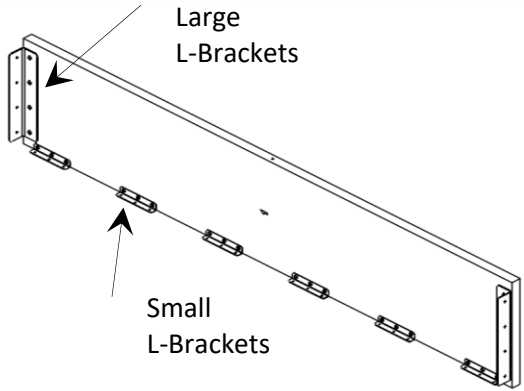


Desk Height is 29-5/8" high

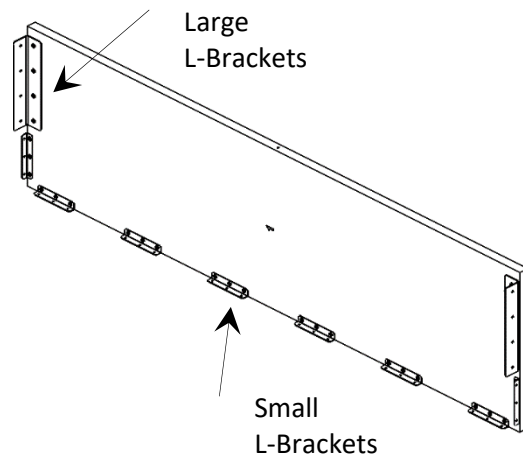


Standing Height is 42" high

STRETCHER PRE-ASSEMBLY (Quantity of 2 per Parson's Table)



Desk Height Stretcher is 12" high



Standing Height Stretcher is 18" high

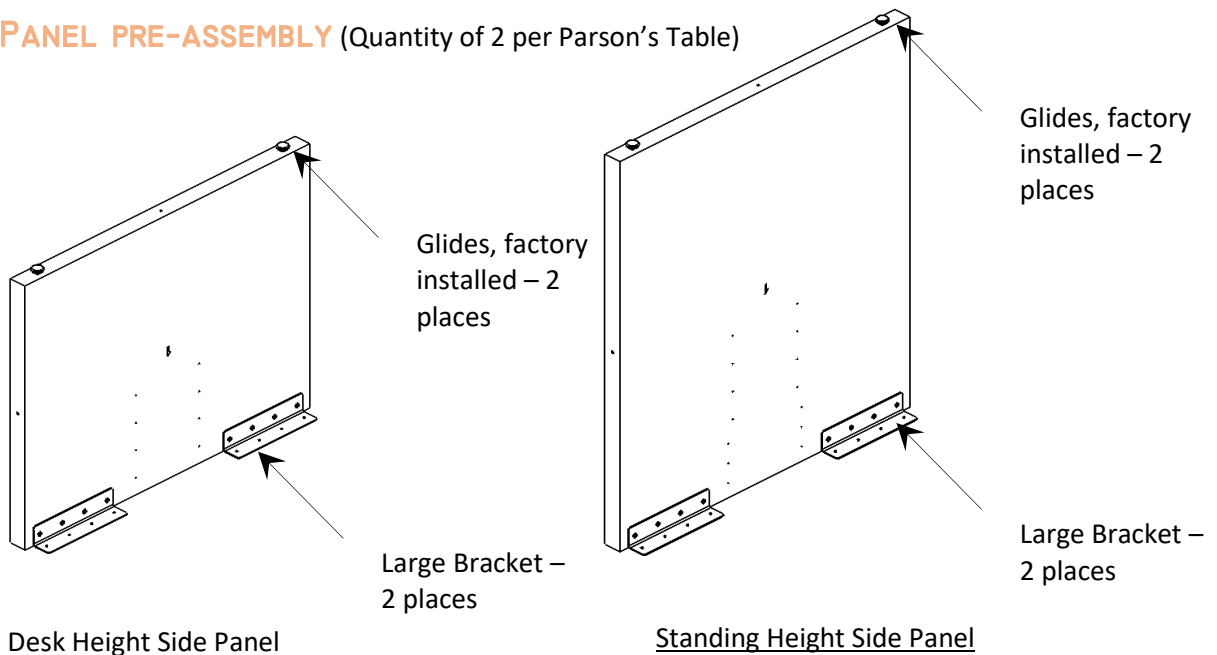
1. Pre-Assemble Brackets as shown and using Table 1 as reference for bracket quantity. Locate brackets using pre-drilled pilot holes and secure with #8 x 1" L screws.

LENGTH	Up to 66"		72" to 96"		102" to 120"	
	DESK HT	STANDING HT	DESK HT	STANDING HT	DESK HT	STANDING HT
SMALL	4	6	6	8	NOT USED	2
LARGE	2	2	2	2	8	8

Each small bracket uses 3 screws and Large Brackets uses 4 screws.

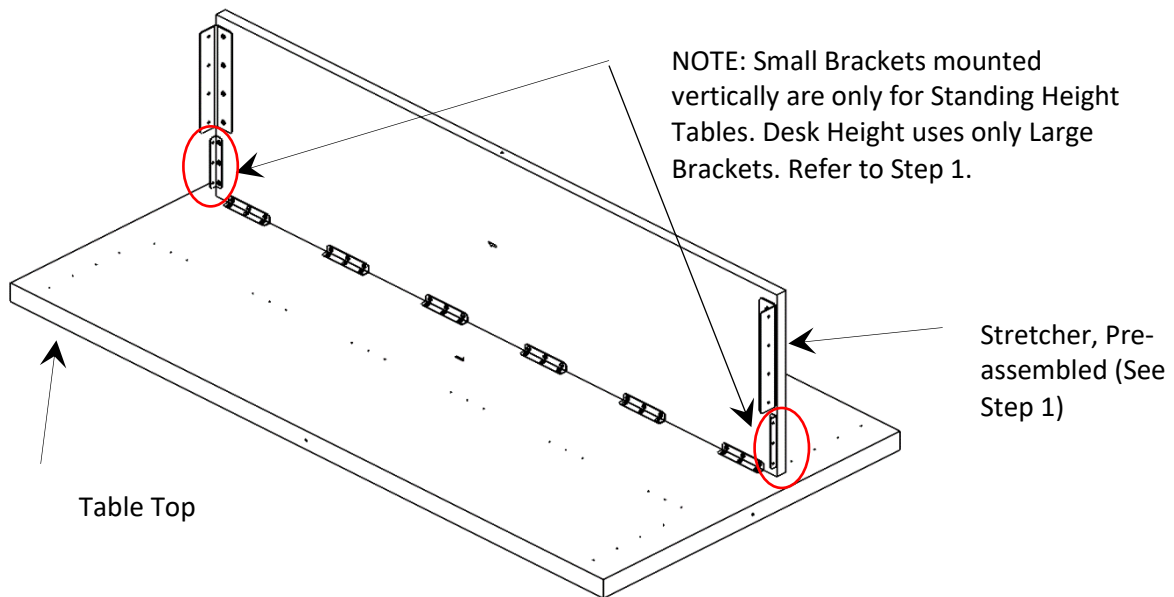
INSTALLATION INSTRUCTIONS

2 SIDE PANEL PRE-ASSEMBLY (Quantity of 2 per Parson's Table)



1. Pre-Assemble Large Brackets as shown using pre-drilled pilot holes and secure with #8 x 1" L screws (4 screws per bracket).

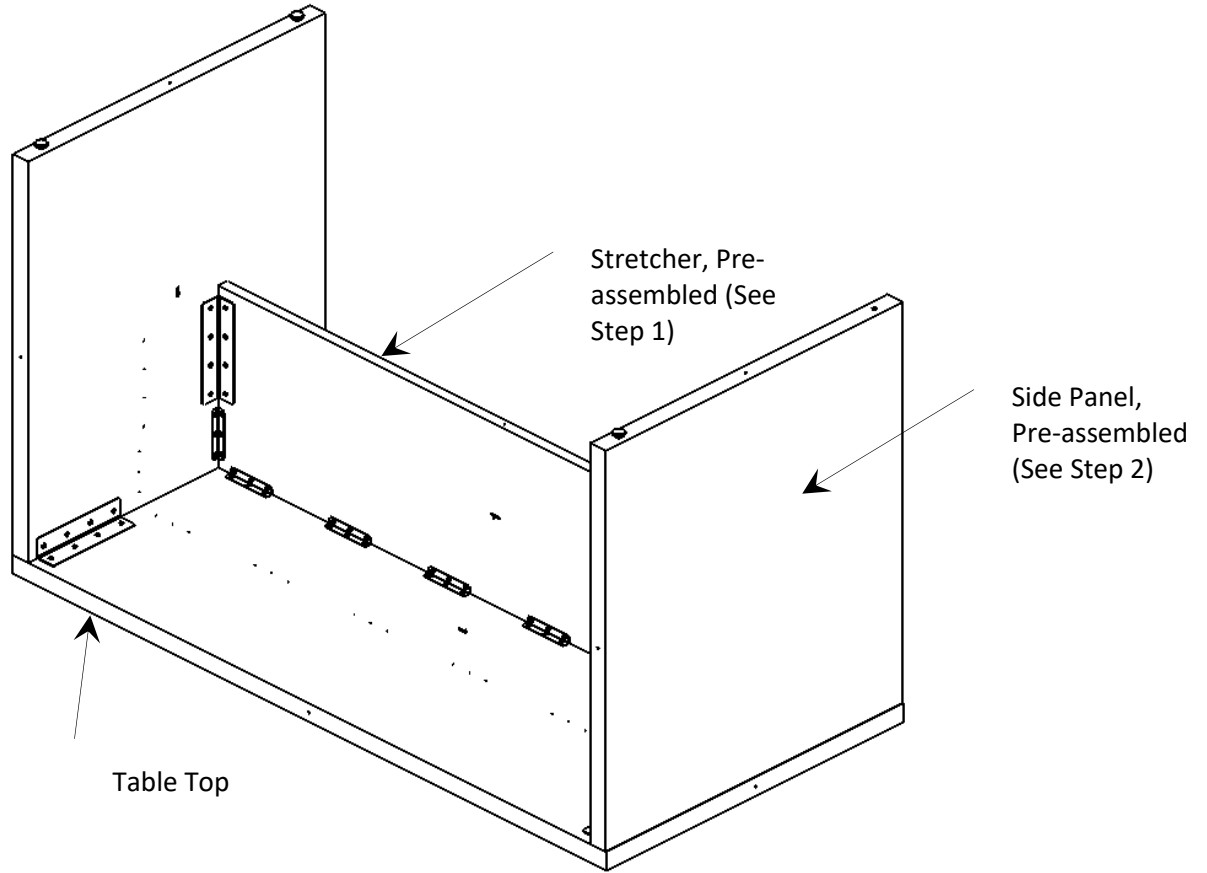
3 STRETCHER TO TABLE ASSEMBLY



1. Assemble Stretcher as shown using pre-drilled pilot holes on the Table Top. Secure with #8 x 1" L screws. Do not tighten screws at this time to allow movement for final adjustments.

INSTALLATION INSTRUCTIONS

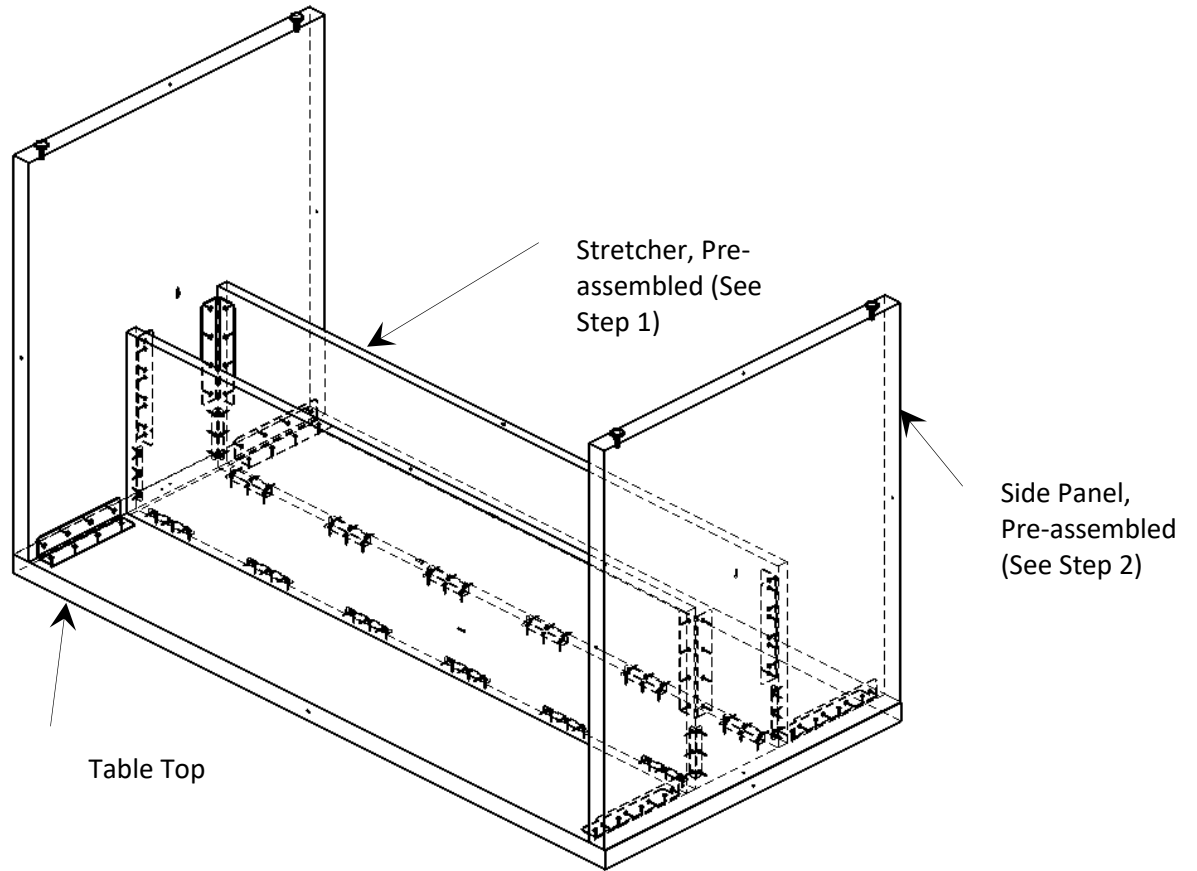
4 SIDE PANEL TO TABLE ASSEMBLY



1. Position Side Panel as shown using pre-drilled pilot holes on the Table Top. Secure with #8 x 1" L screws. Do not tighten screws at this time to allow movement for final adjustments.

INSTALLATION INSTRUCTIONS

5 FINAL ASSEMBLY



1. Position Stretcher as shown using pre-drilled pilot holes on the Table Top. Secure with #8 x 1" L screws. Align Panels and tighten all screws at this time.