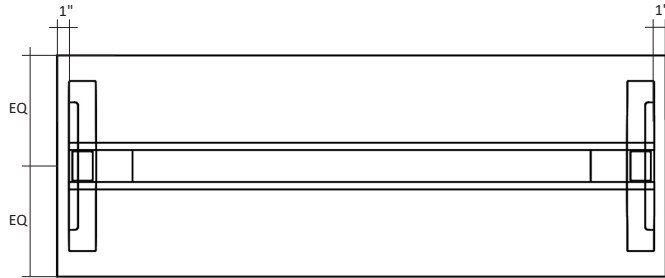


typical base placement

The height adjustable base is centered on the depth of table top and should be inset a minimum of 1" from the edge.



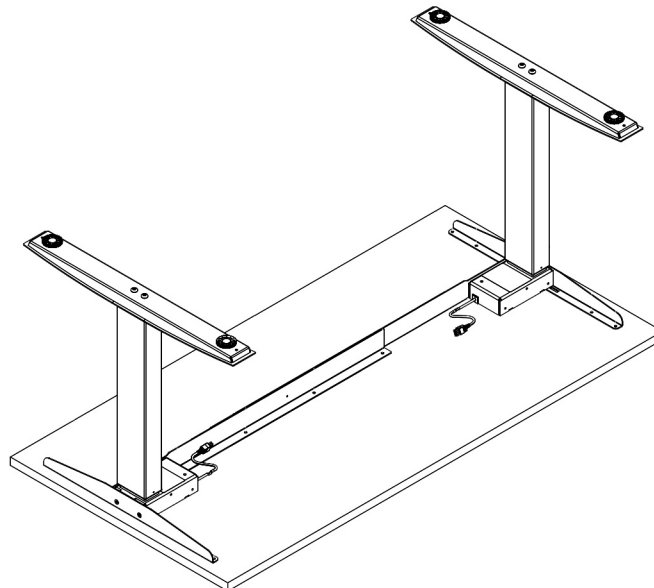
minimum overhang

In the installed position the minimum overhang of the worksurface is 1", a larger overhang is possible. The base shroud and combination pedestal can be inset under the worksurface more.



type a base adjustable j-channel placement

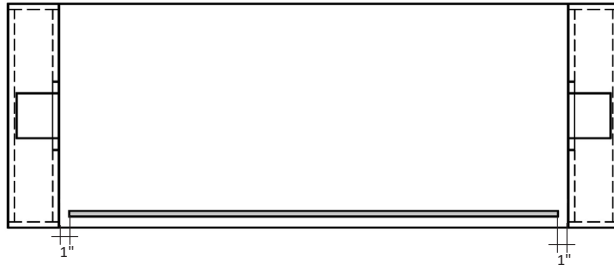
Kit includes two rails that should be fastened to the same side of the motor boxes on the top of the column.



modesty panel placement

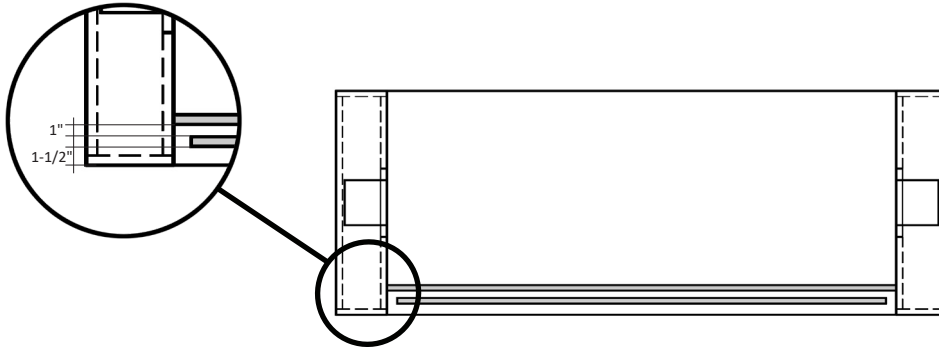
hanging modesty panel length

All hanging modesty panels must be undersized in length by a minimum of 1" to avoid pinch points.



hanging modesty panel and fixed modesty panel placement

Hanging modesty panels should be inset 1-1/2" from the guest edge of the worksurface. This allows for grommet clearance. Any fixed modesty panel should be placed a minimum of 1" away from hanging modesty panels.



recessed shroud configuration

hanging modesty panel and fixed modesty panel placement

Hanging modesty panels should be inset 1-1/2" from the guest edge of the worksurface. This allows for grommet clearance. The full length fixed modesty panel will be placed 1" away from hanging modesty panel.

