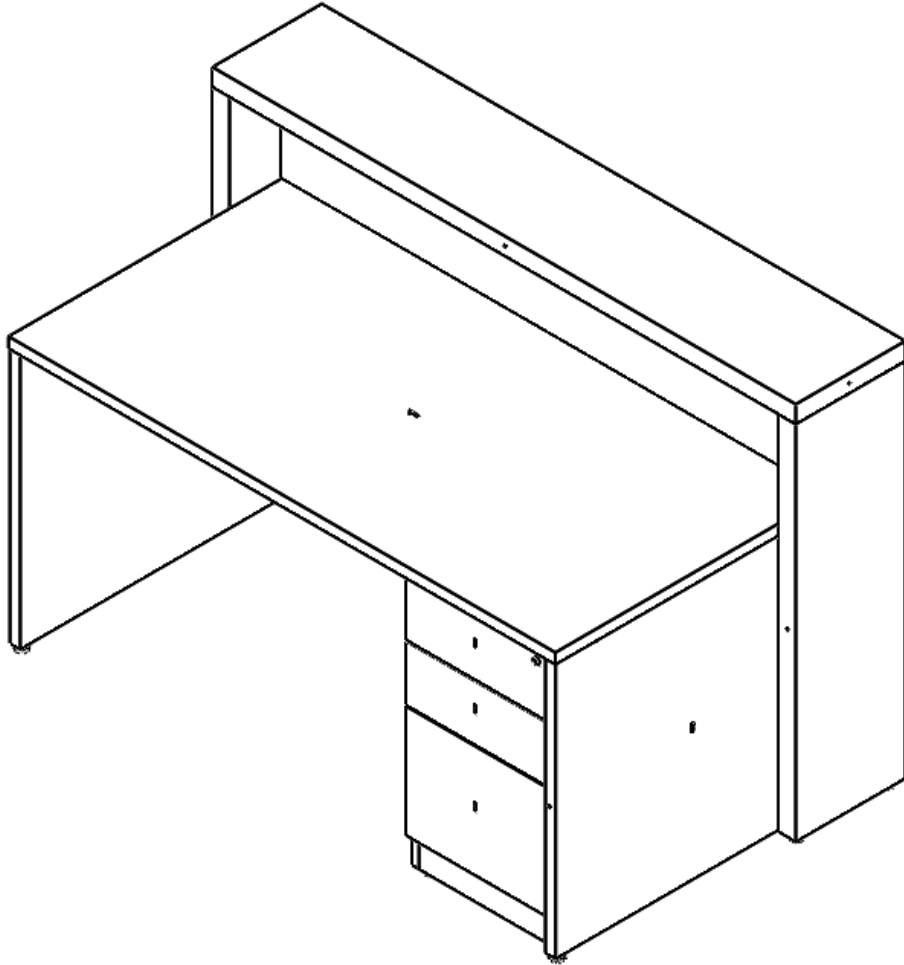


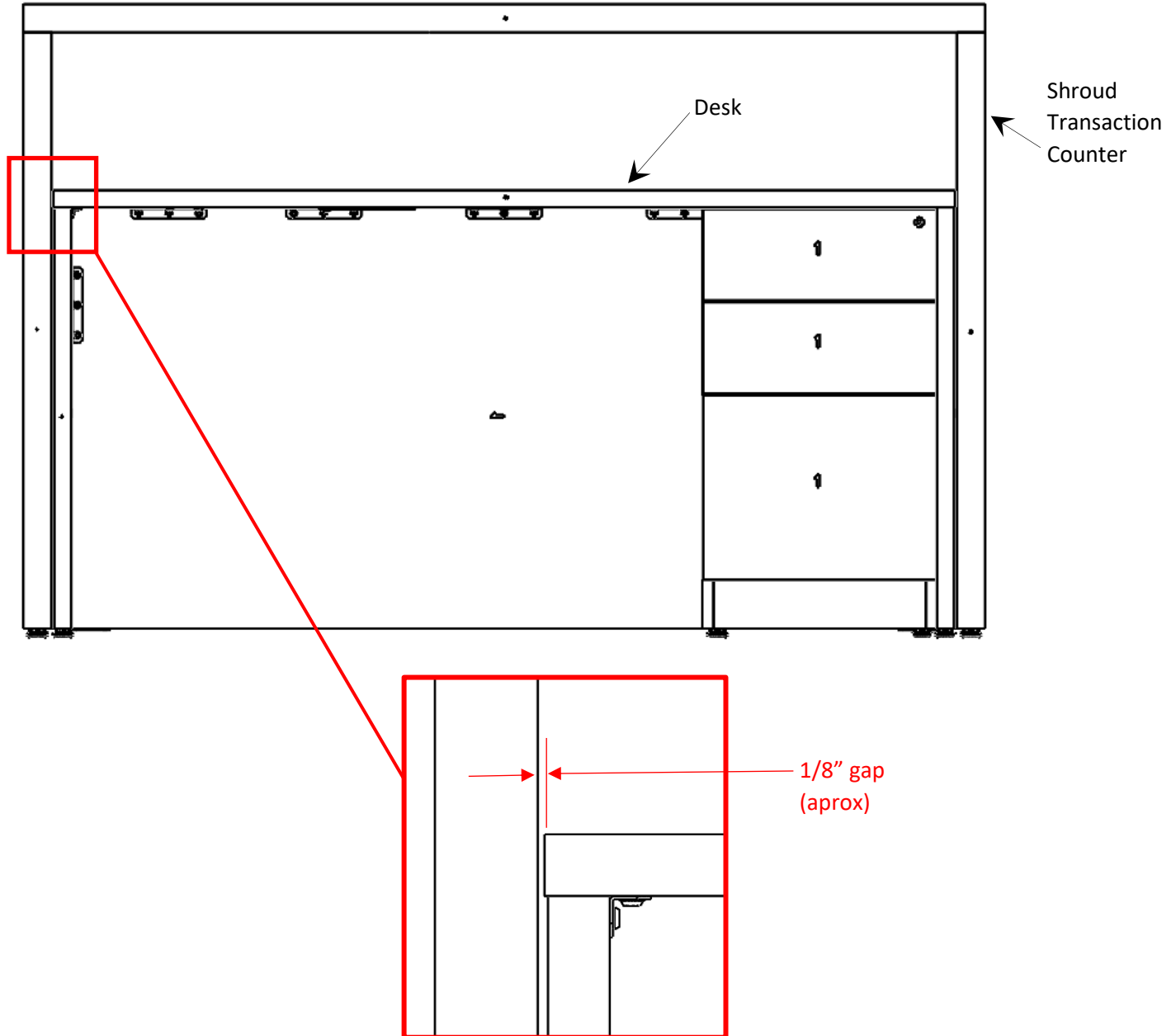
---

# SHROUD TRANSACTION COUNTER INSTALLATION INSTRUCTIONS



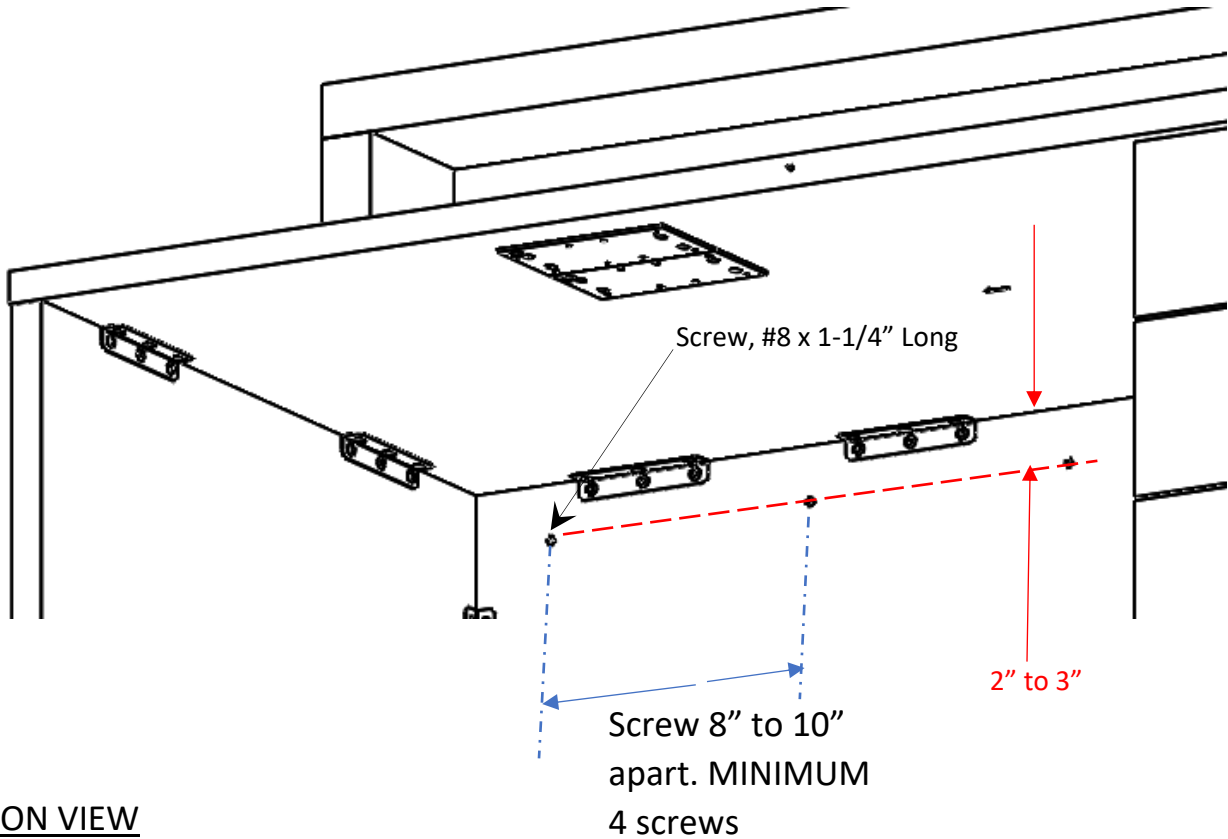
# INSTALLATION INSTRUCTIONS

## Position Shroud Transaction Counter centered to the Reception Desk



# INSTALLATION INSTRUCTIONS

**2** Secure Shroud Transaction Counter with Screws (#8 x 1-1/4" Long Flat Head Screws) as shown below.



## SECTION VIEW

