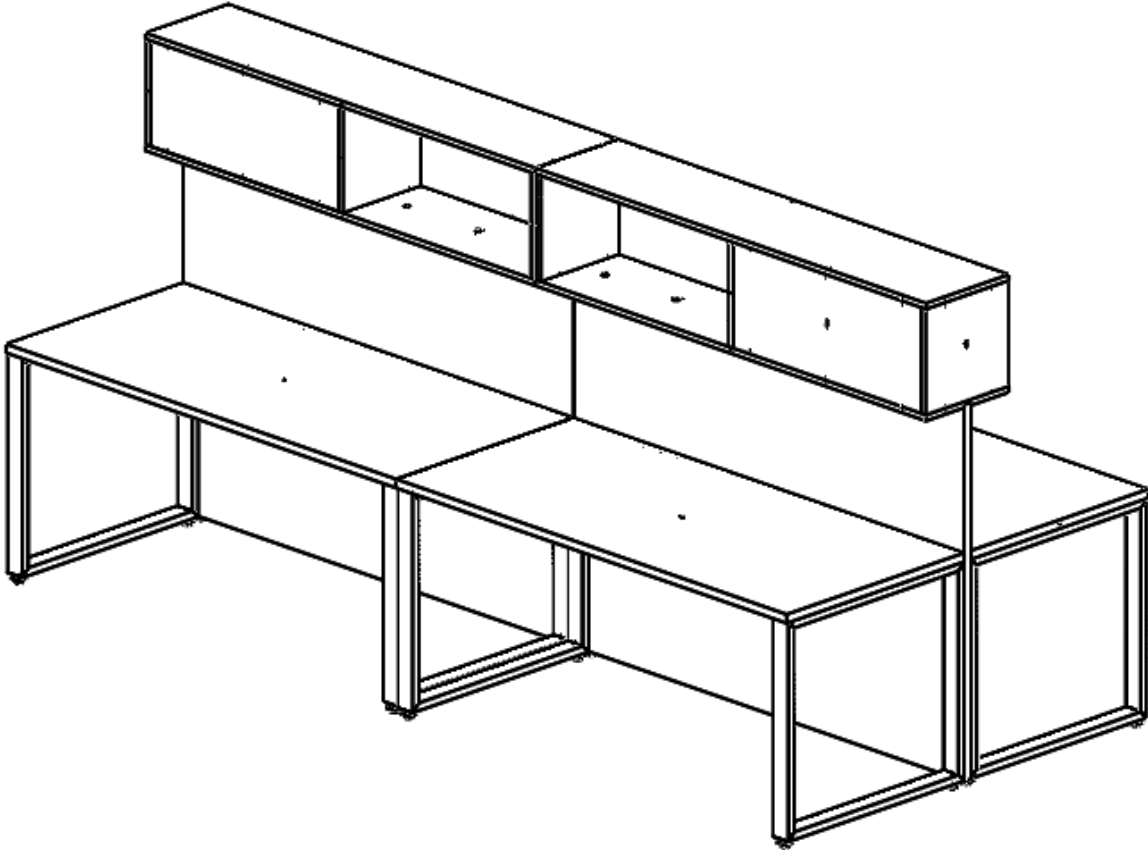


---

SPINE WALL MOUNTING FOR CUBBIES  
ASSEMBLY INSTRUCTIONS



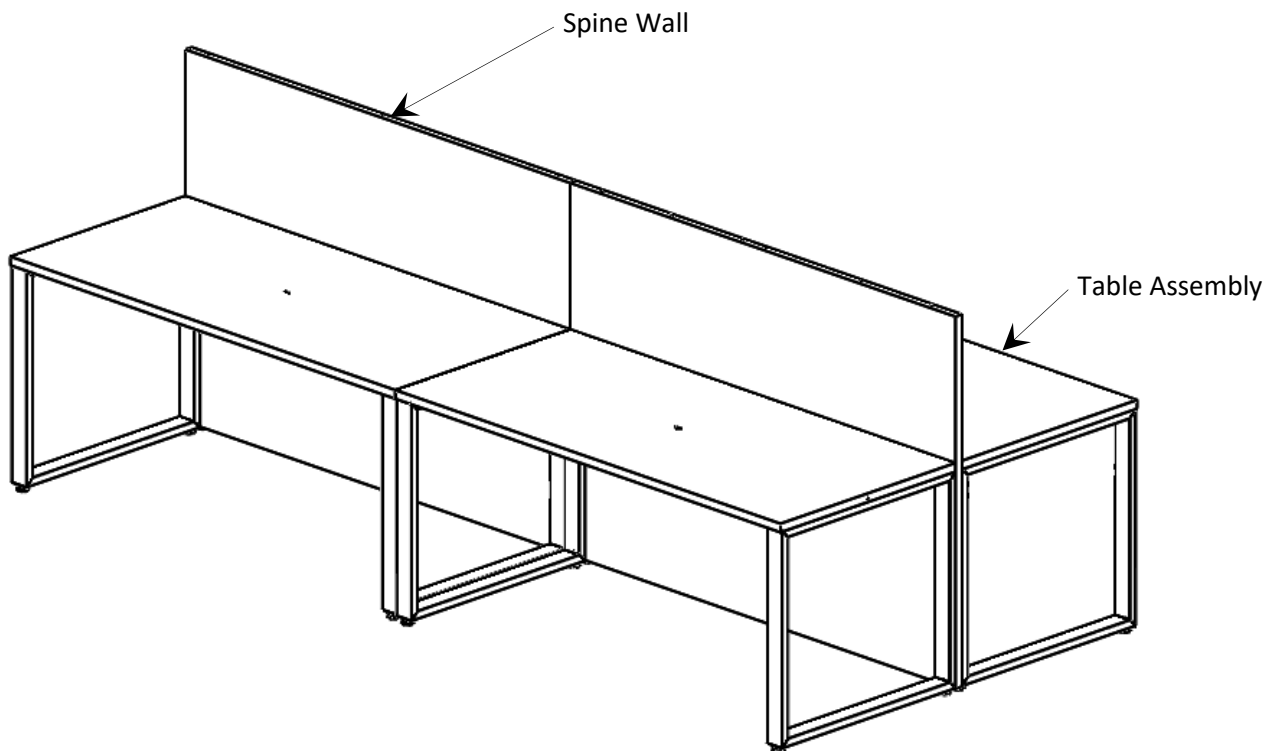
---

## INSTALLATION INSTRUCTIONS

Materials Included:

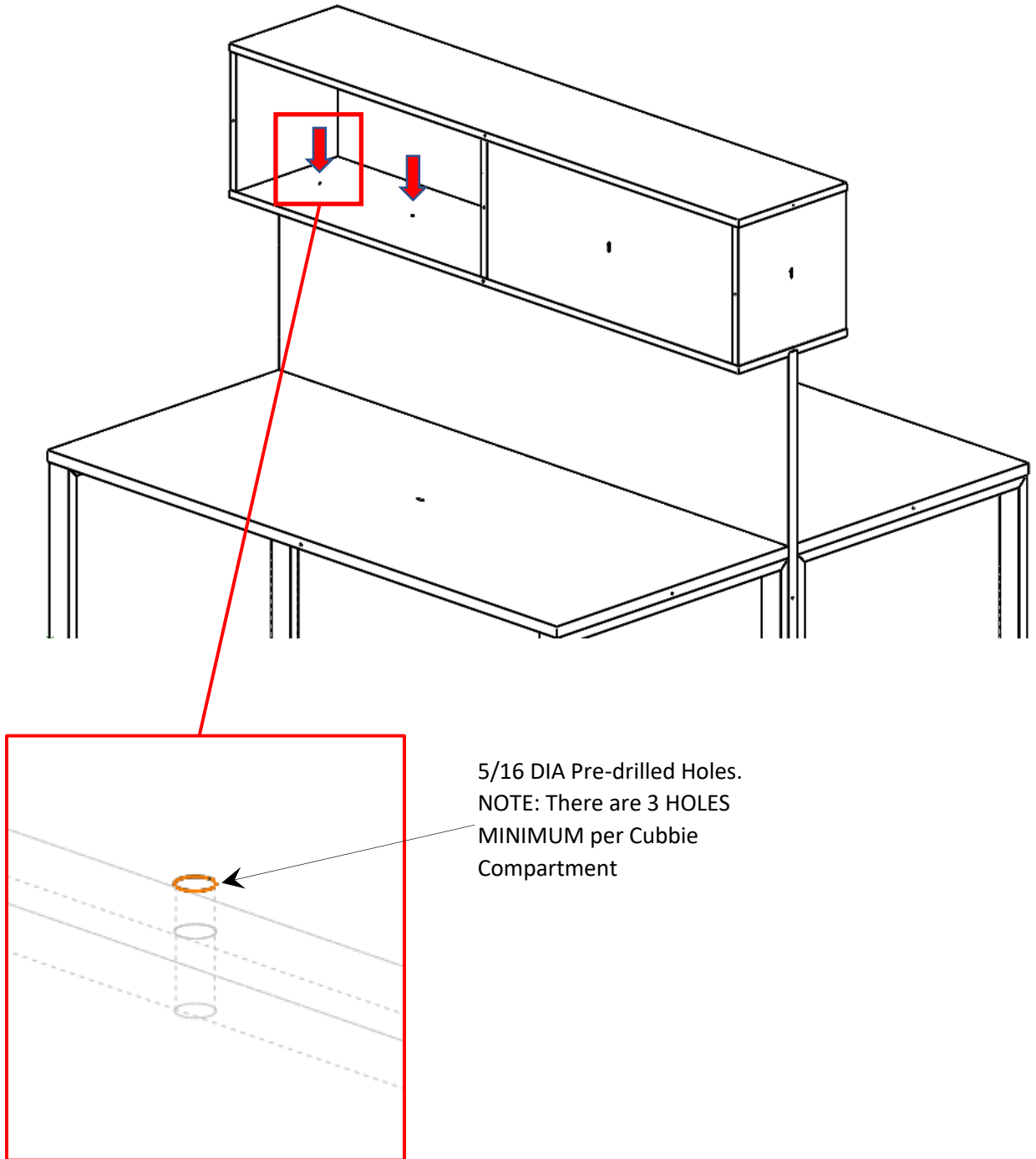
1. FLAT HEAD HEX, 5/16-18 X 2-3/8" L
2. INSERT, 5/16-18
3. L-Brackets, 3/4 x 3/4 x 5"
4. Miscellaneous Screws

**VERIFY SPINE WALLS ARE PROPERLY SECURED ON THE TABLE ASSEMBLY. REFER TO TEAMWORX INSTALLATION GUIDE FOR INSTRUCTIONS.**



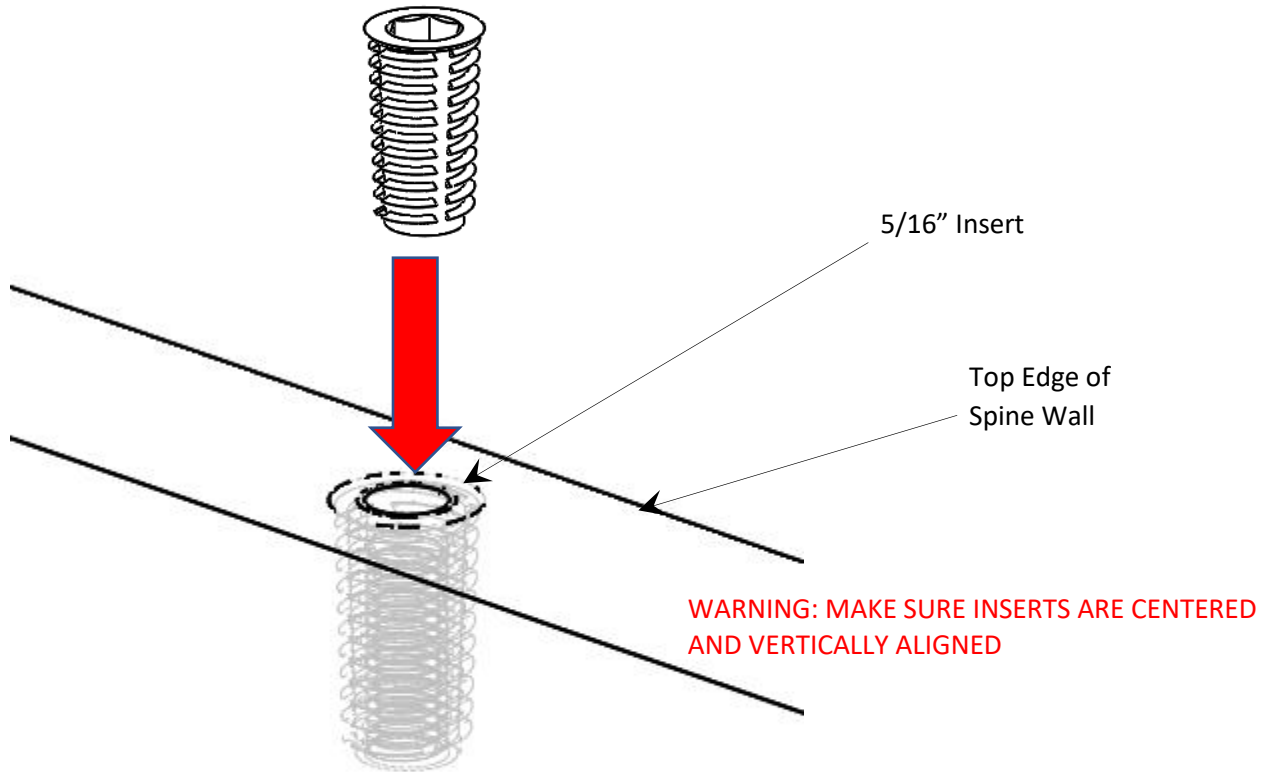
## INSTALLATION INSTRUCTIONS

- 2 POSITION CUBBIES ON TOP OF THE SPINE WALL. USING THE PRE-DRILLED HOLES ON THE BOTTOM OF THE CUBBY, MARK "ALL" MOUNTING HOLES ONTO THE TOP EDGE OF SPINE WALL

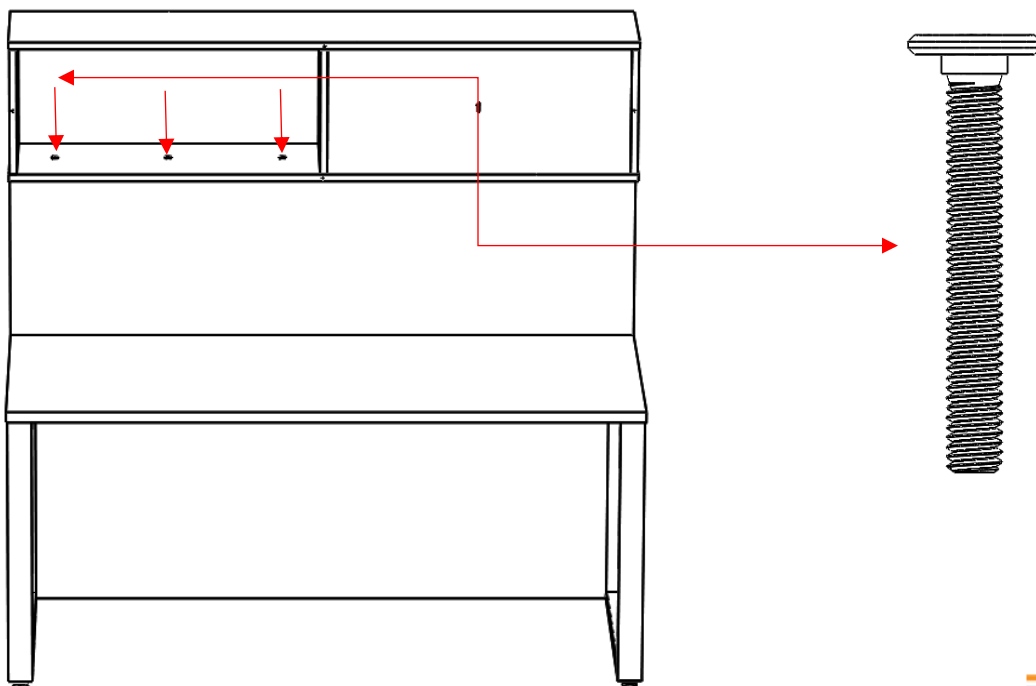


## INSTALLATION INSTRUCTIONS

### 3 DRILL A 7/16" DIA HOLE ONTO MARKED SPOTS AND INSTALL INSERTS



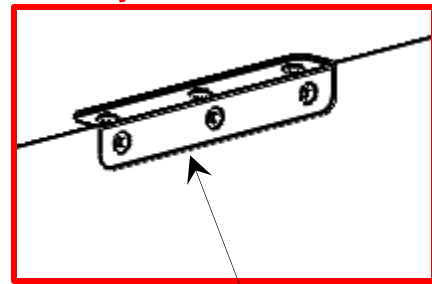
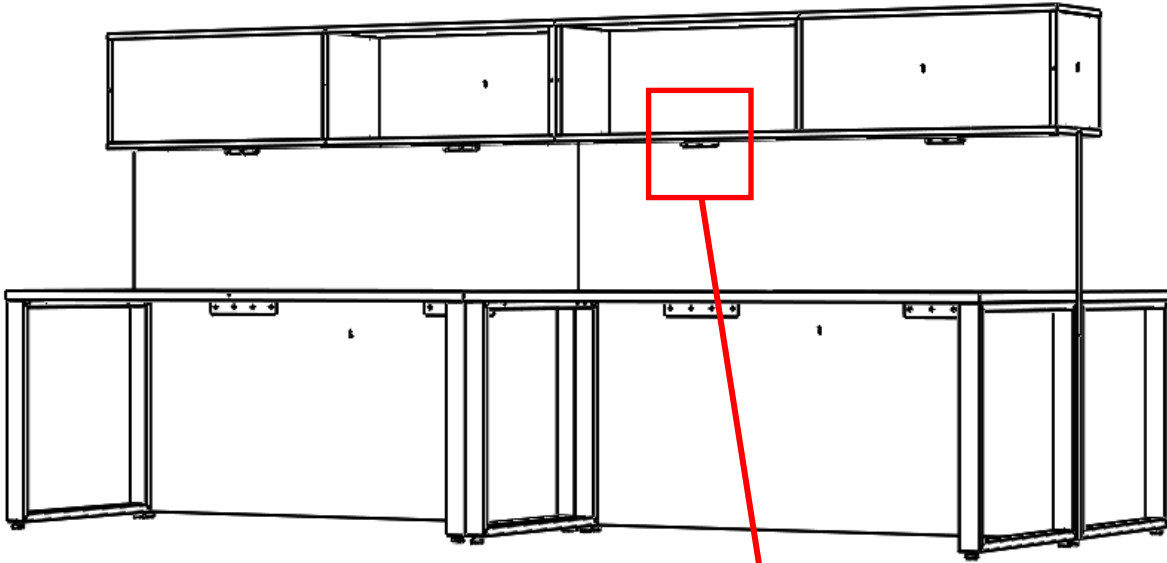
### 4 POSITION CUBBY BACK ONTO THE SPINE WALL AND SECURE ONTO THE INSTALLED INSERTS USING THE FLAT HEAD HEX SCREWS PROVIDED.



---

## INSTALLATION INSTRUCTIONS

**5** FOR ADDITIONAL CUBBY STABILITY, INSTALL L-BRACKETS ON THE UNDERSIDE OF THE CUBBY ONTO BOTH SIDES OF THE SPINE WALL.



L-Bracket with screws