

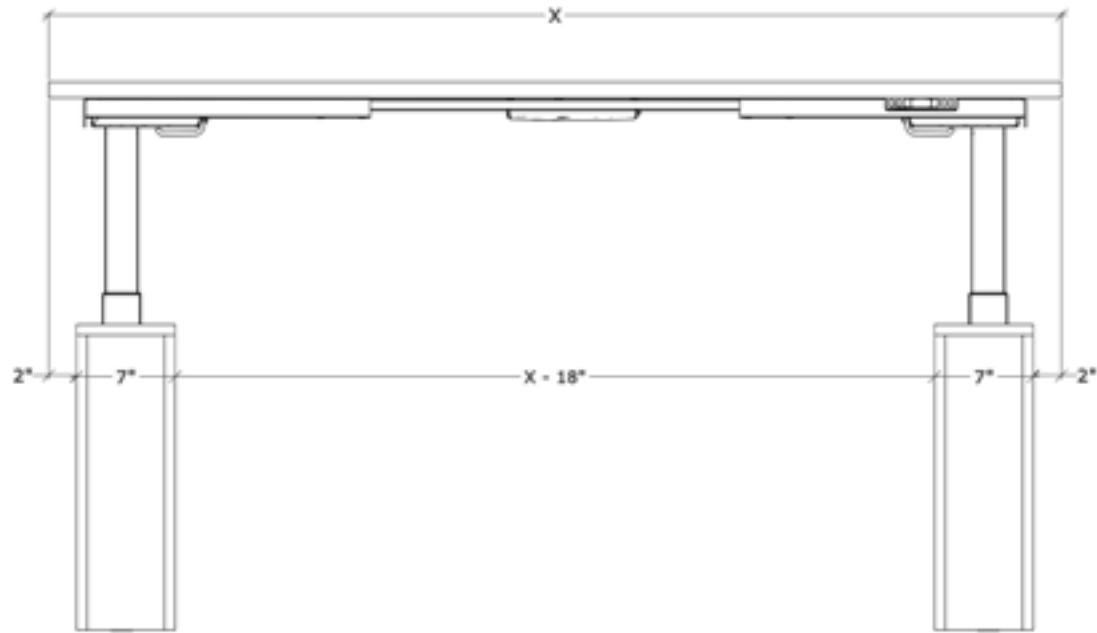
# Ascend Casegoods

## Installation Instructions



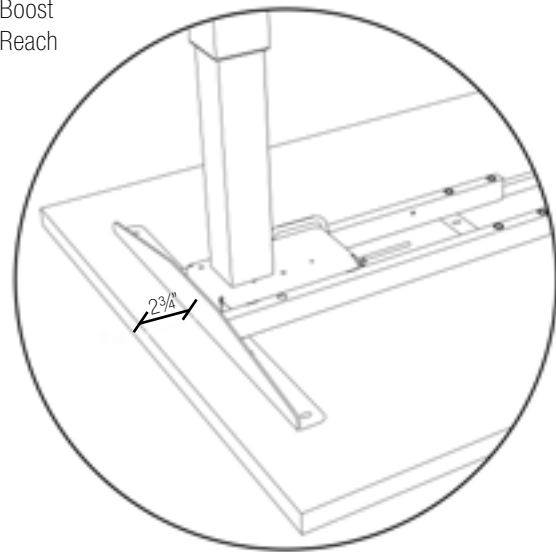
**Ascend Installation Instructions -Part 1 : Shrouds**

- 1 The Ascend Collection is designed with the intention that the shrouds be positioned with a 2" inset. For example, a fixed modesty designed to be used with 2 base shrouds will be 18" shorter than the worksurface to account for (2x) 2" insets, and (2x) 7" base shrouds.

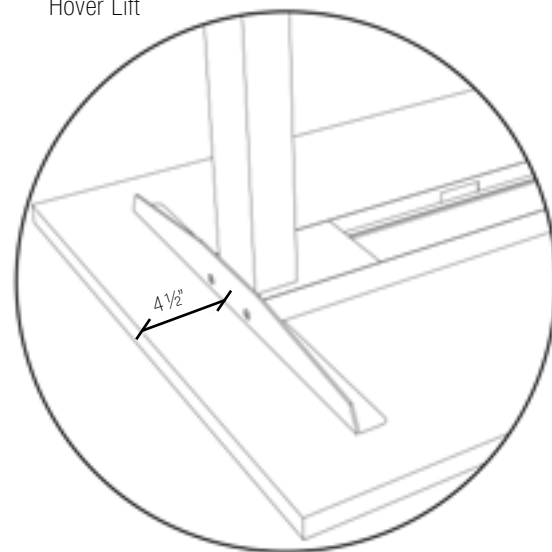


The first step of the installation process is attaching the assembled height adjustable base to the top. The exact position of the base will depend on which base is being used. If a non-DeskMakers height adjustable base is being paired with the Ascend Collection the base placement can be calculated by understanding the intended shroud position above. The positions for DeskMakers bases are shown below. All height adjustable bases should be centered horizontally on the top.

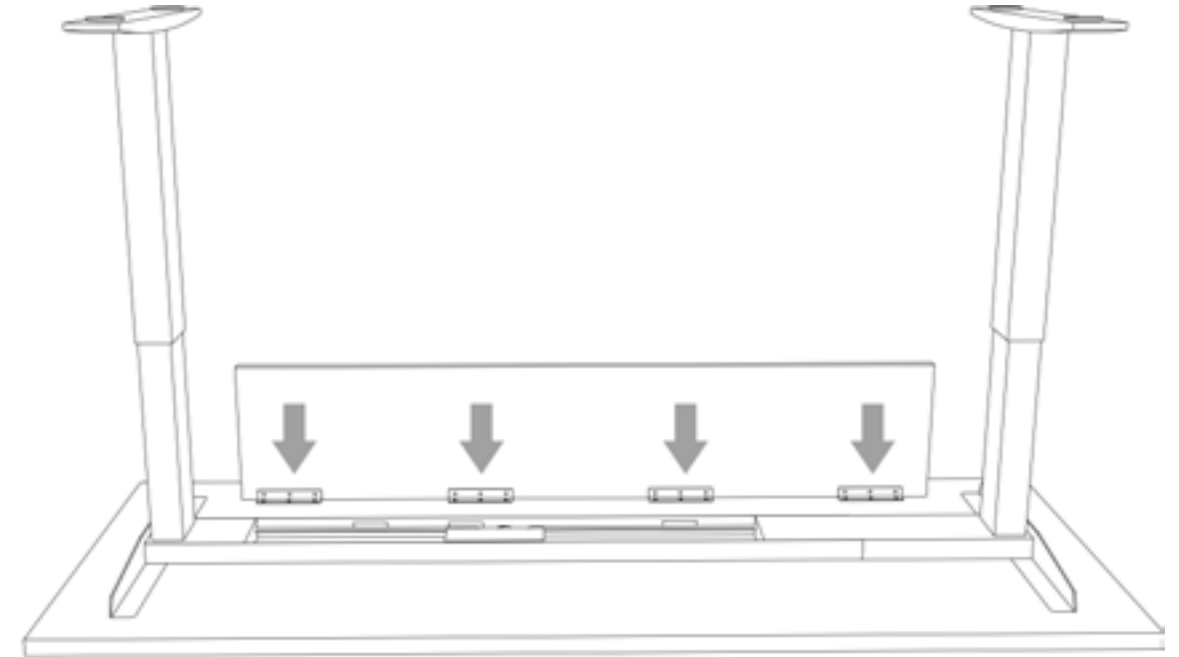
Hover Boost  
Hover Reach



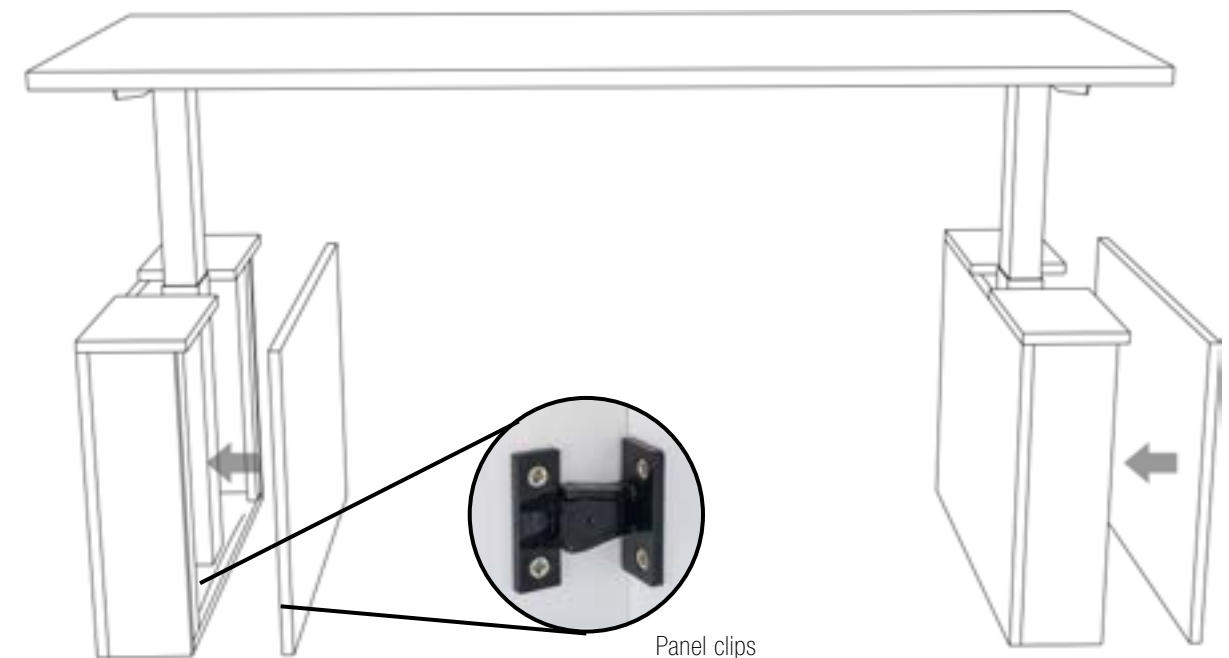
Hover Lift



- 2 If the configuration requires a hanging modesty, install this piece (or at least the L-brackets) before flipping the desk right side up.



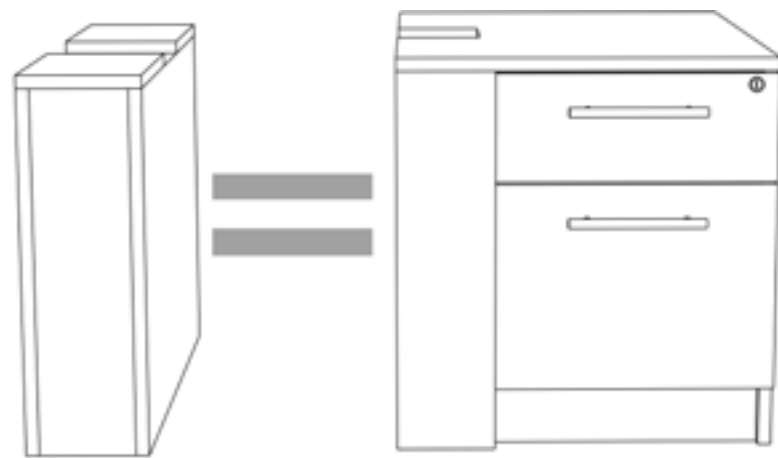
- 3 Once the top is attached to the base, the legs can be placed into the shrouds. Bases with 2-segment legs can be re-set without being removed from the shroud at all - the position of the removable panel on the outside or inside of the desk can be determined by ease of access for wire management.



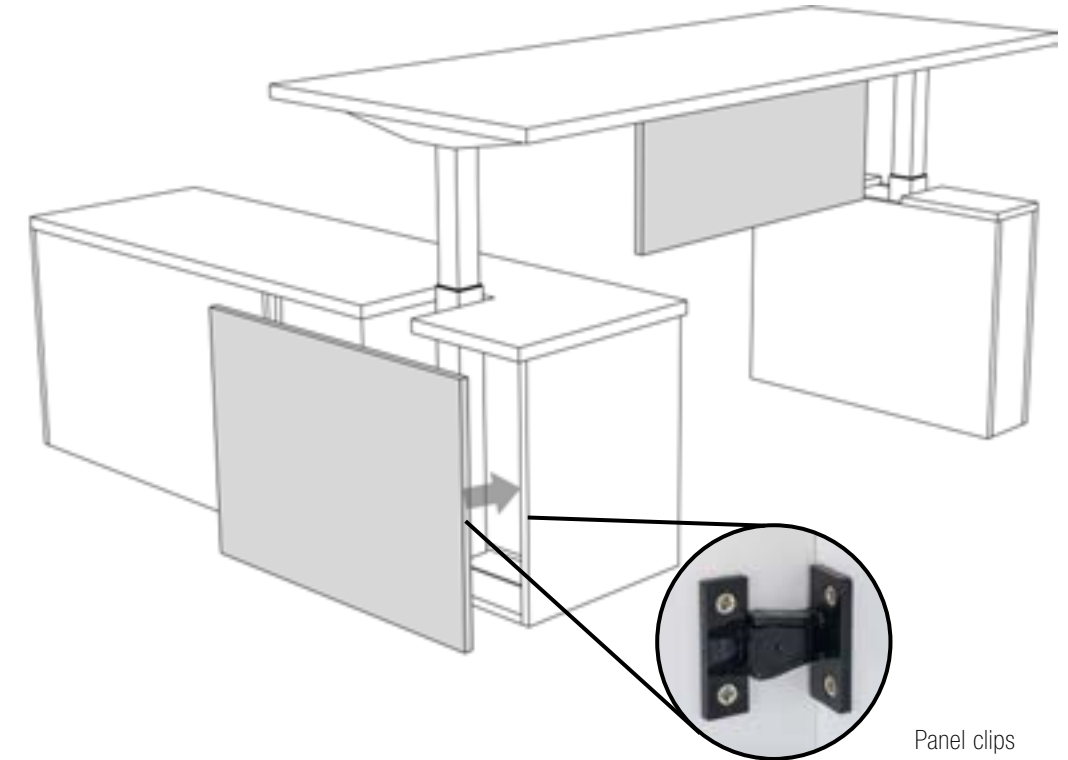
- ④ Fixed modesties should be installed last. In the case of 3-segment leg height adjustable bases (like Hover Reach), it may be necessary to remove the base from the shroud to reset it, which could require uninstalling the modesty.



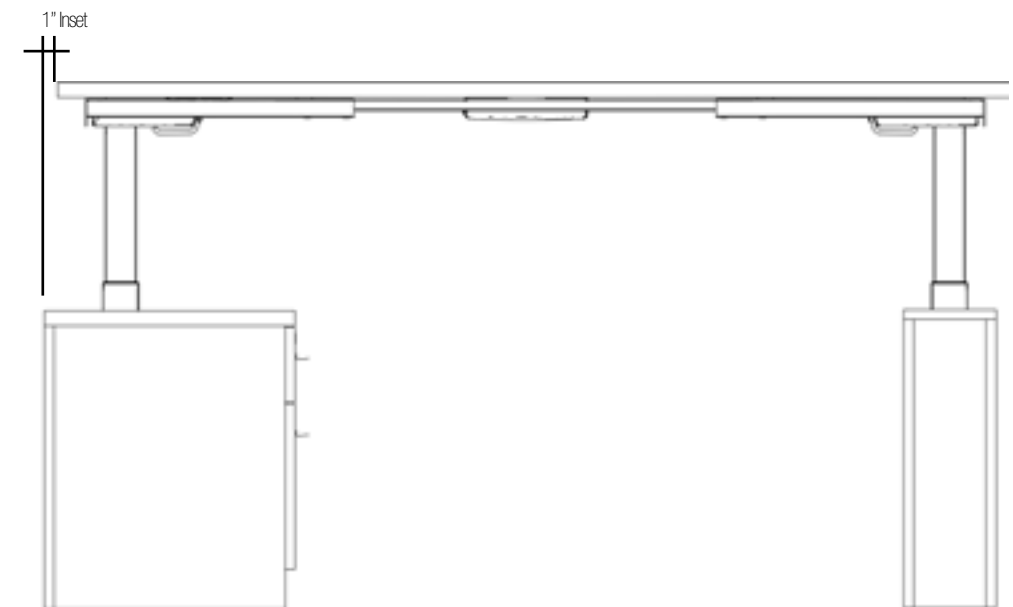
- ⑤ Configurations using the combination pedestal follow the same instructions as the leg shrouds.



- ⑥ Peninsula desks configurations follow similar steps. Please note that the back panel on peninsula storage is *optional* and may not be included on every install. Only hanging modesties can be used with a peninsula configuration - fixed modesties cannot be installed on the peninsula storage unit.



- ⑦ Peninsula tops should be inset 1" off back of storage to avoid conflicts with wall.

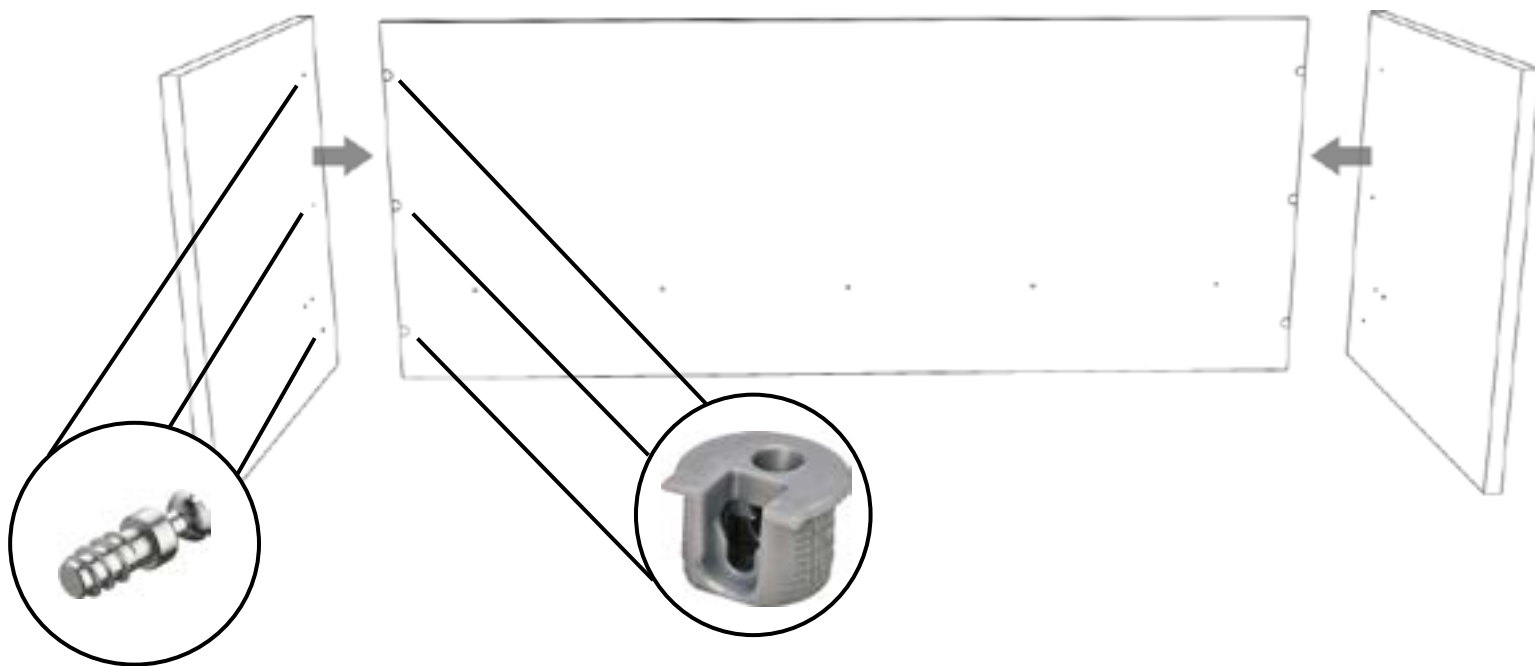


**Ascend Installation Instructions - Part 2: Shells**

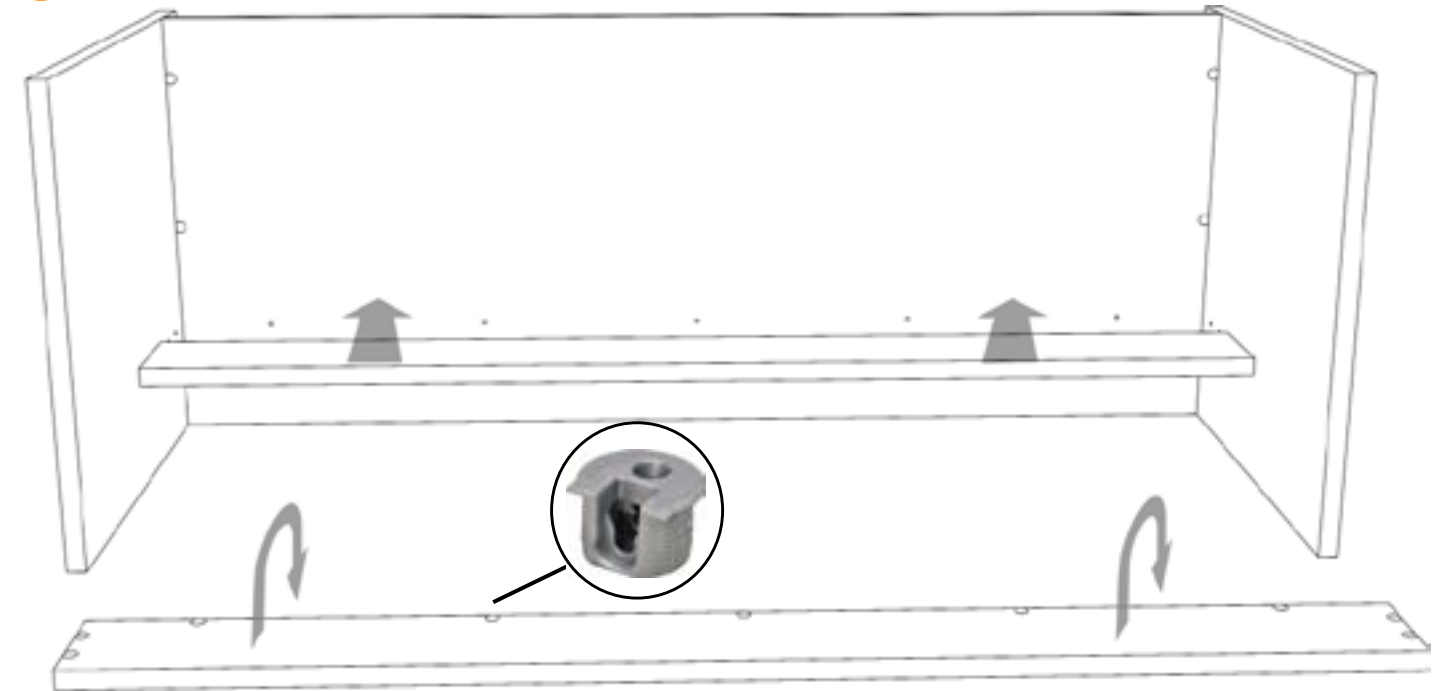
- 1 Ascend Desk Shells, Bridges and Returns (with the exception of storage pedestals) ship knocked-down and are assembled using cam bolts. The cam locks and bolts will fit into pre-drilled holes and can be tightened using a #2 Phillips screwdriver.



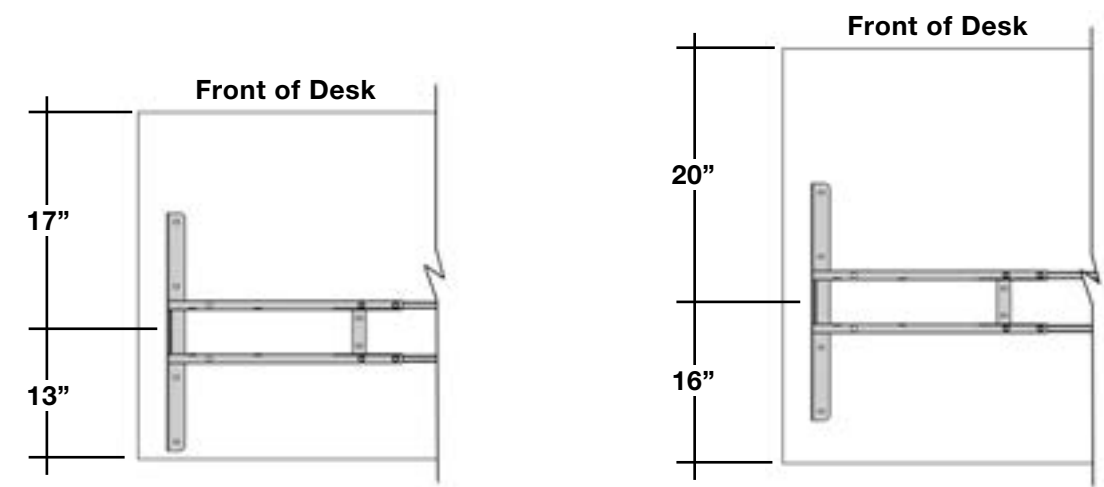
- 2 The bolts attach to one panel and connect to cam locks on the corresponding panel as shown in the below example of the inline desk shell.



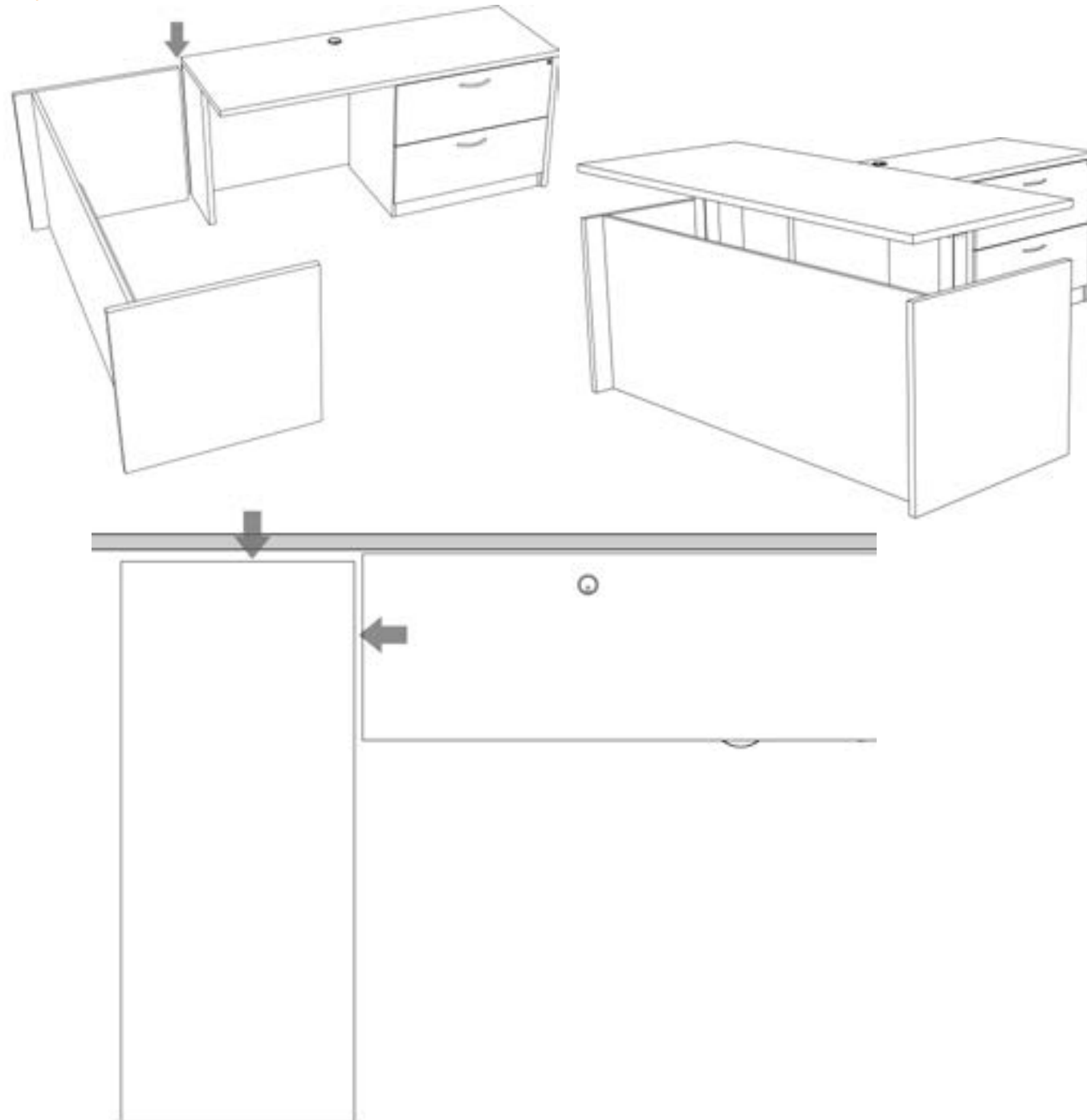
- 3 The stretcher bar on desk on desk or return shells should always be installed last.



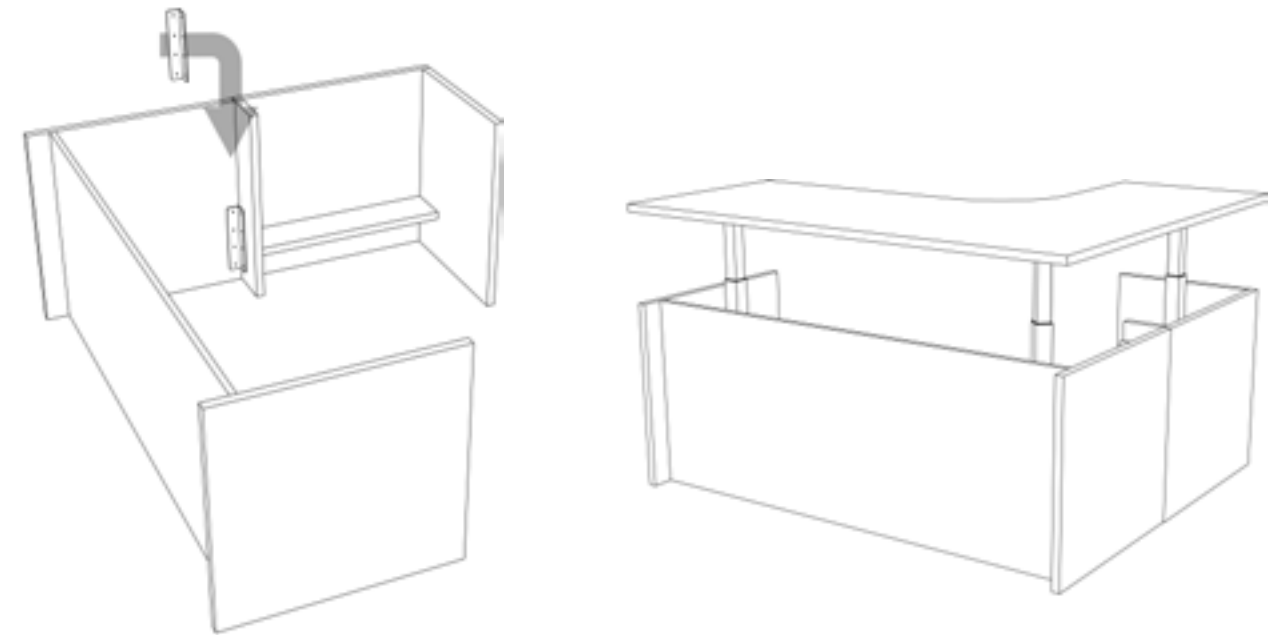
- 4 When using Ascend Desk Shells, the height adjustable bases should be mounted slightly off center to account for the inset modesty. Please see below for the dimensions for a 30" and 36" desk shell.



- 4 For a project using Ascend Desk Shells, the Desk Shell can either be stand alone, or paired with a fixed-height return or bridge as shown below. There must always be at least 1" clear on all sides of moving portion of the desk (the top) to prevent a pinch hazard. The height adjustable base will need to be pulled out of the shell in order to be reset.



- 5 The topless Ascend Return Shell attaches directly to the desk shell via L-brackets, and is used for 3-legged height adjustable base solutions. It cannot be used as a free standing piece of furniture.



- 6 If a desk shell is paired with a front hanging modesty, the L-brackets can be installed at the same time as the base, and the modesty hung once the base is placed within the shell. The modesty may need to be removed in the future to reset the base since this requires the base to be pulled out of the shell.

