

Catalina Islands

Installation Instructions



Catalina Islands Installation Instructions

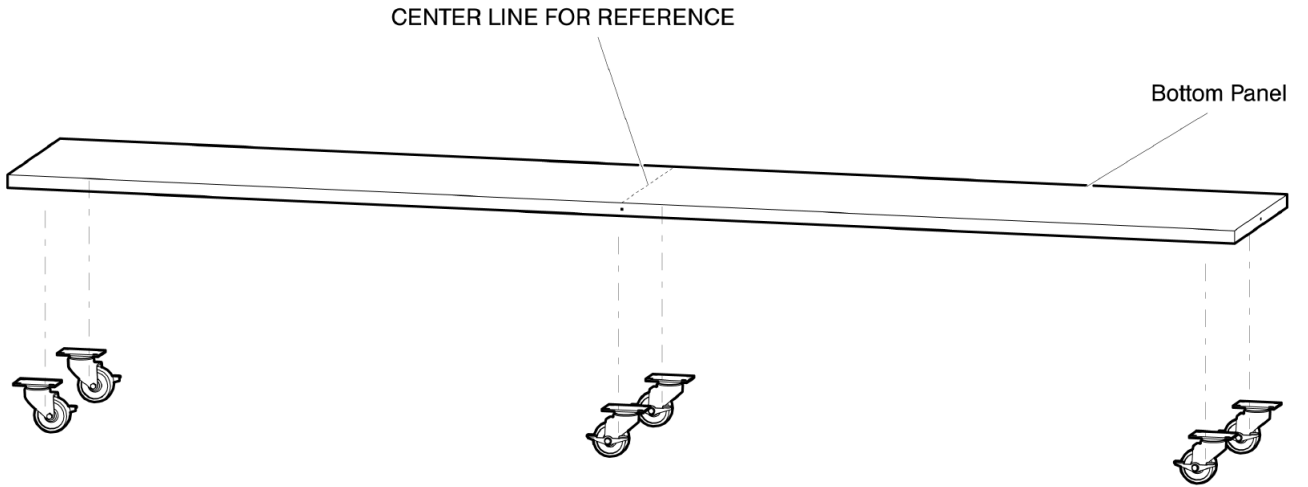
Table of Contents

Catalina Island Cabinets can be configured in many ways, please refer to the generic instructions on the following pages as they apply:

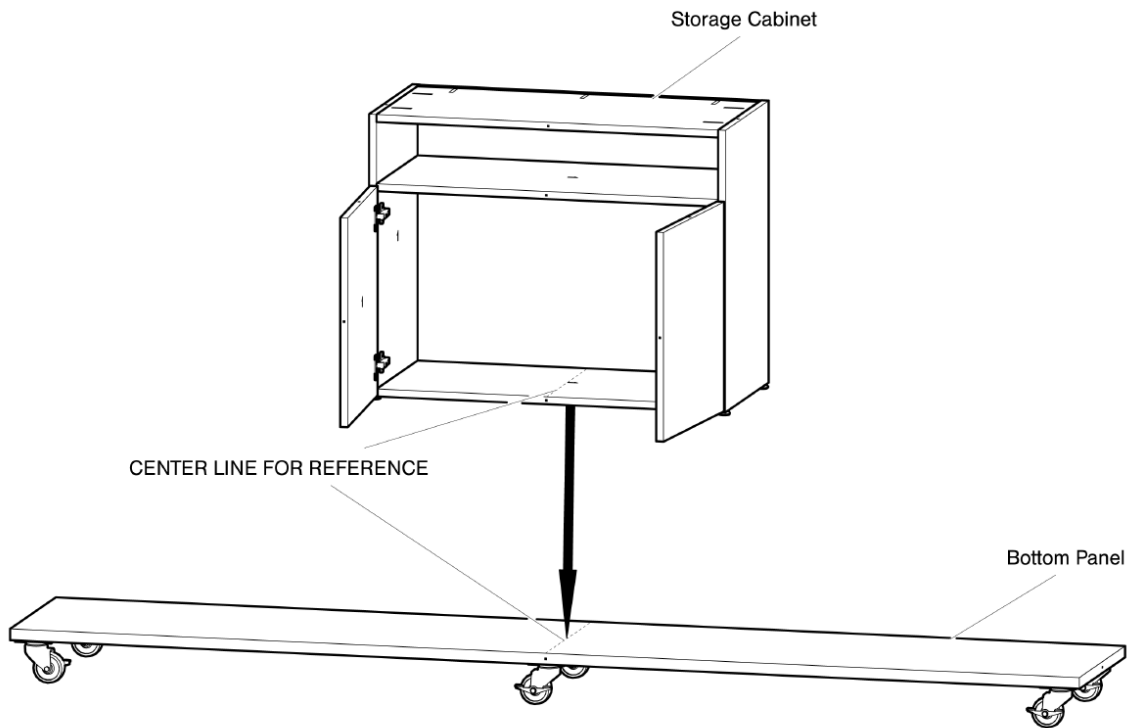
Page 3	Caster and Bottom Panel Assembly
Page 3	Cabinet to Bottom Panel Assembly
Page 5	Cabinet to Cabinet Assembly
Page 10	Top Panel Assembly
Page 12	Exposed Screw Cover
Page 12	Complete Assembly

Catalina Islands Installation Instructions

- 1 Line up caster wheels with bottom panel

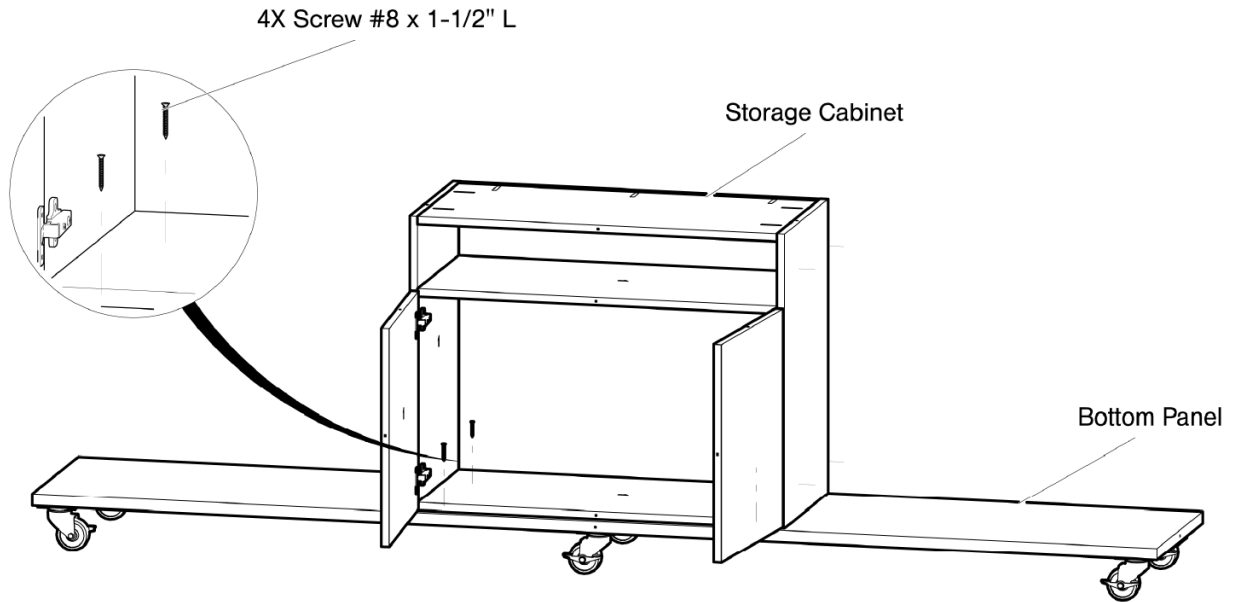


- 2 Place storage (mid-cabinet) on top of bottom panel (exactly in the middle)

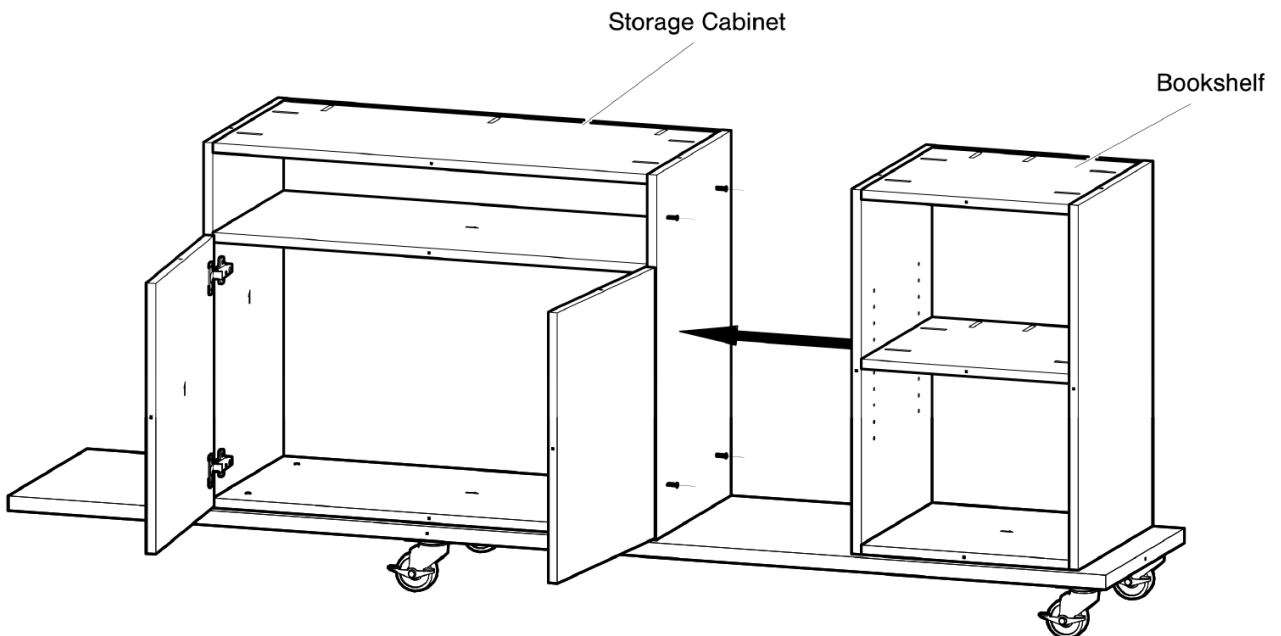


Catalina Islands Installation Instructions

- ③ Affix storage (mid-cabinet) to bottom panel using four (4) screws

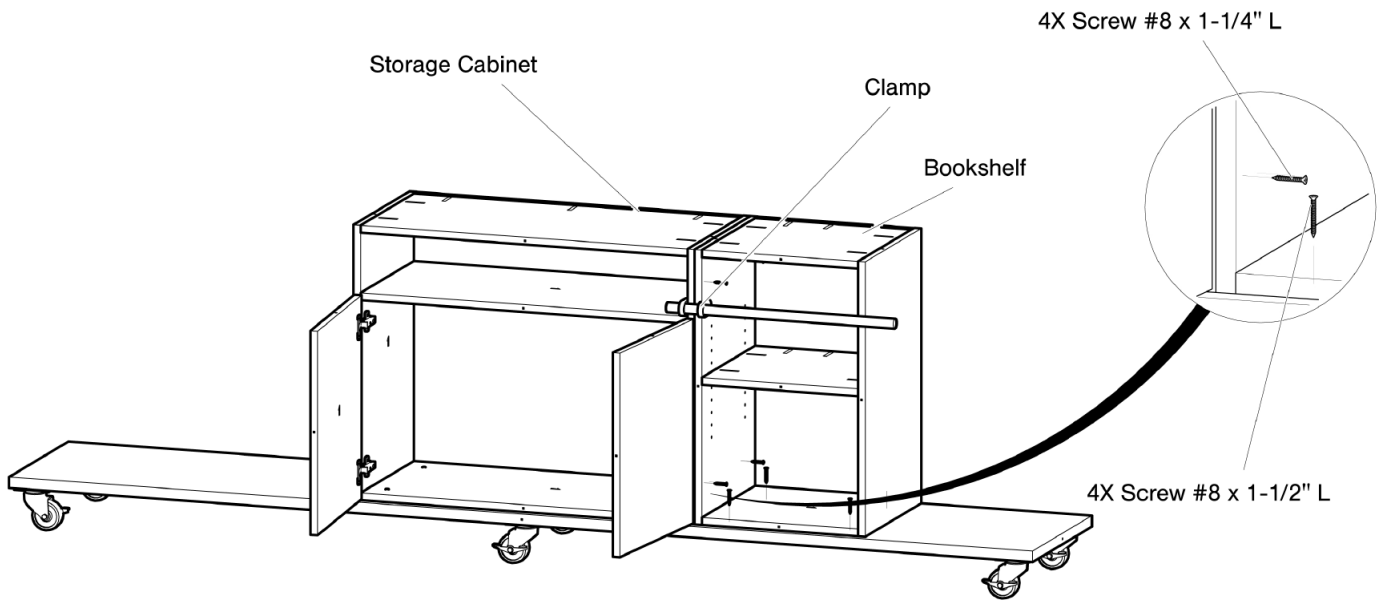


- ④ Place bookshelf on the side of storage cabinet

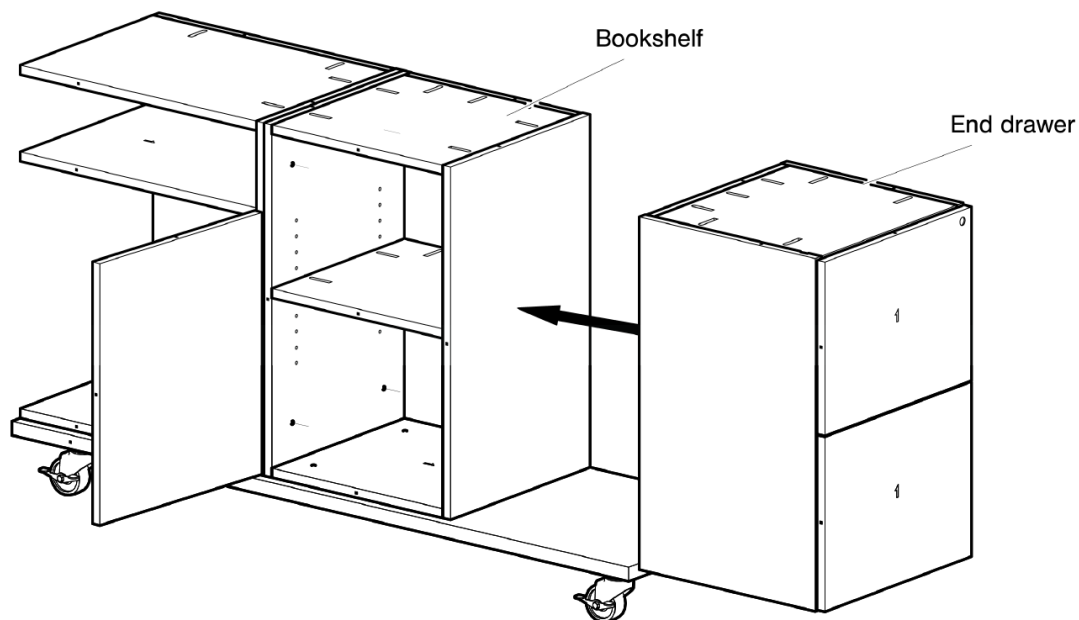


Catalina Islands Installation Instructions

- 5 Tighten bookshelf to storage cabinet using clamp and then affix bookshelf to storage cabinet using four (4) screws. Affix bookshelf to bottom panel using four (4) screws.

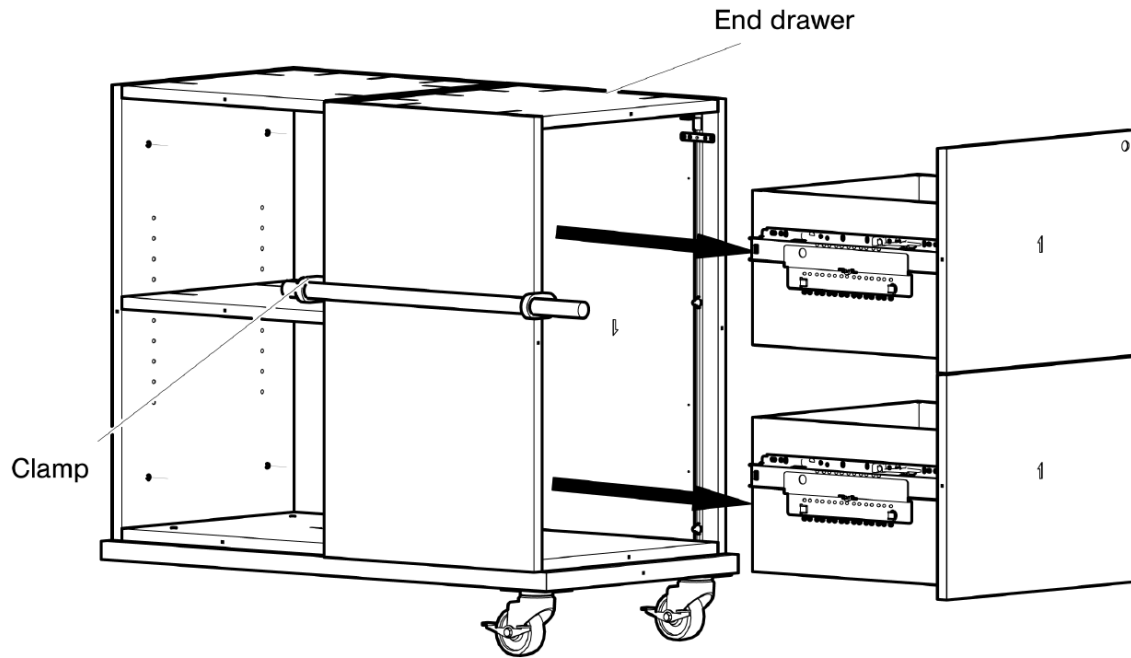


- 6 Bring the end drawer to the side of bookshelf

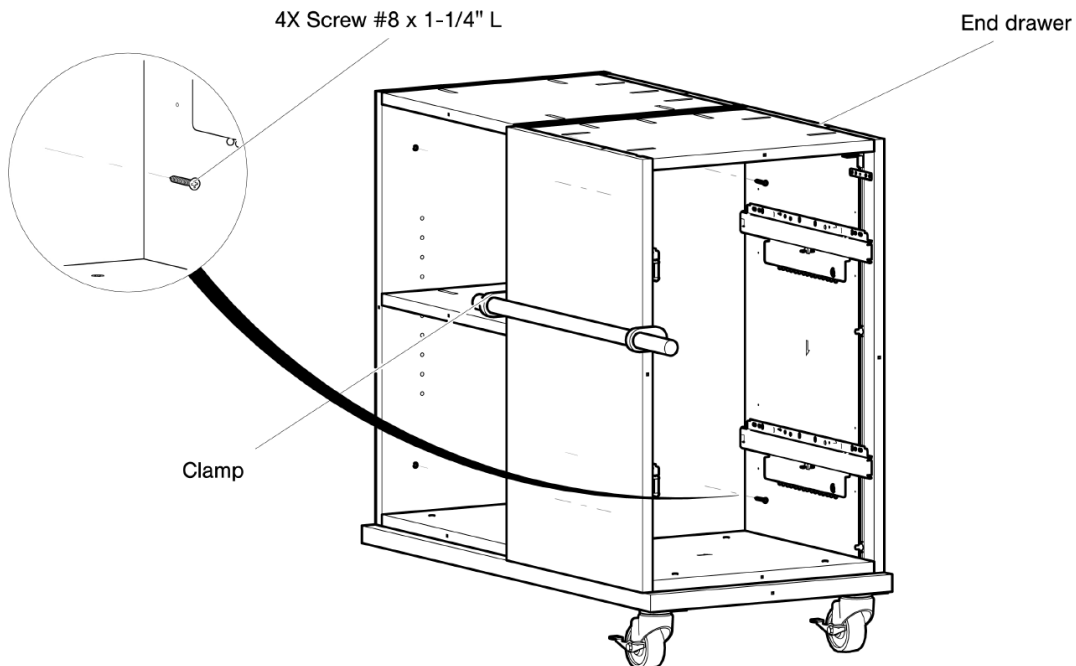


Catalina Islands Installation Instructions

- 7 Remove drawers and tighten the end drawer to bookshelf using clamp

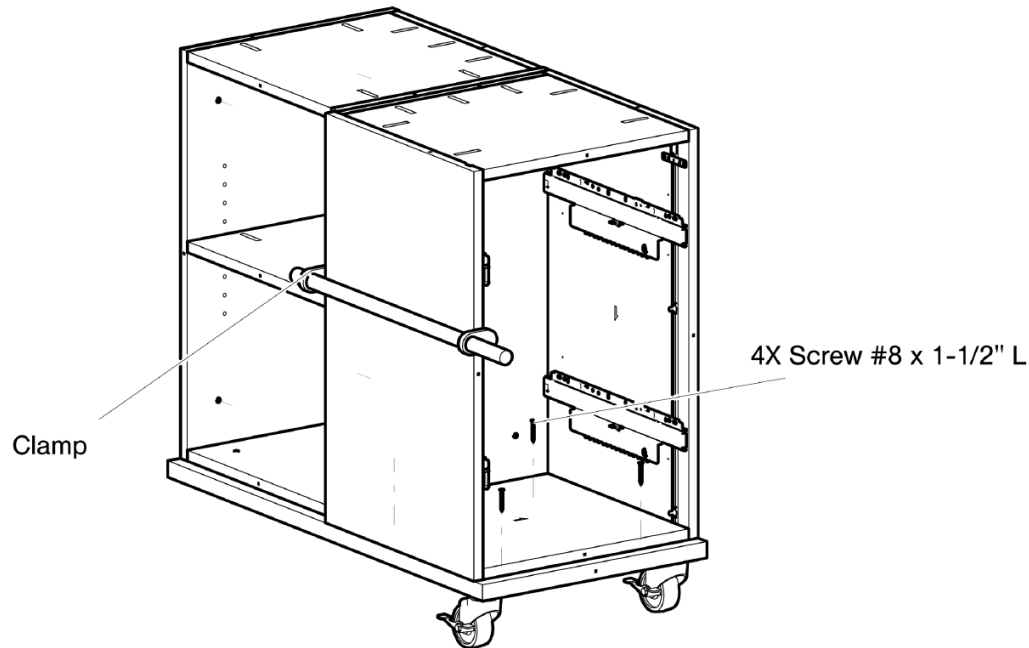


- 8 Affix end drawer to side panel of adjacent cabinet using four (4) screws

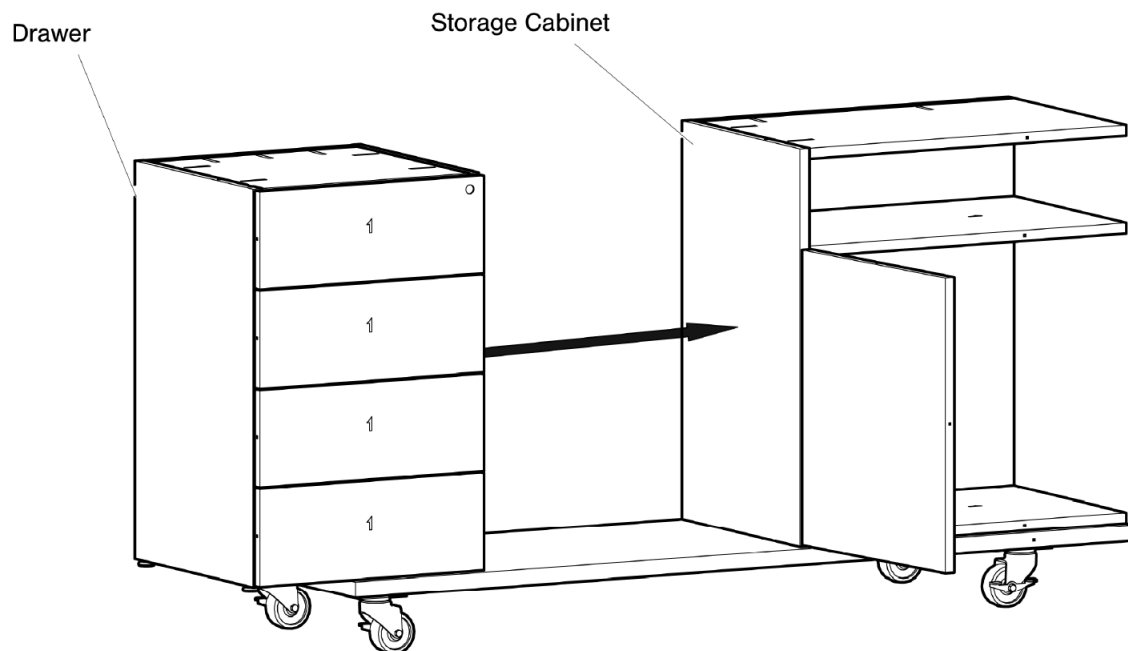


Catalina Islands Installation Instructions

- 9 Affix the end drawer to bottom panel using four (4) screws

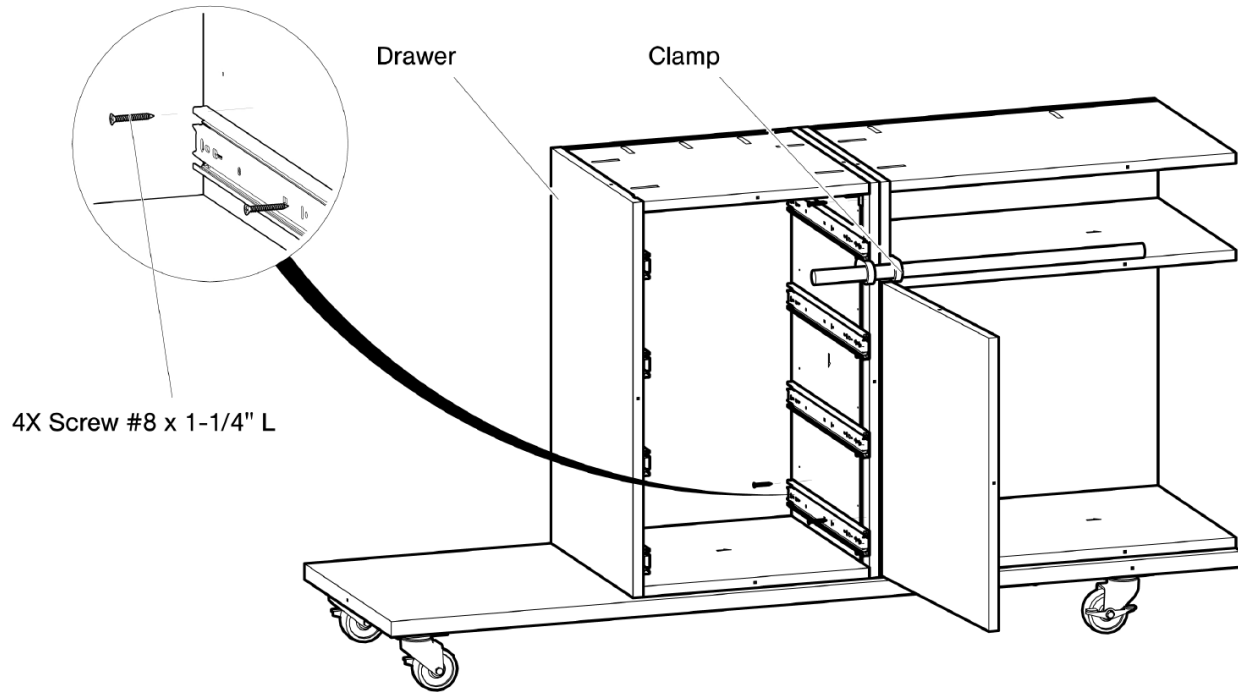


- 10 Bring the box drawers to the side of storage cabinet

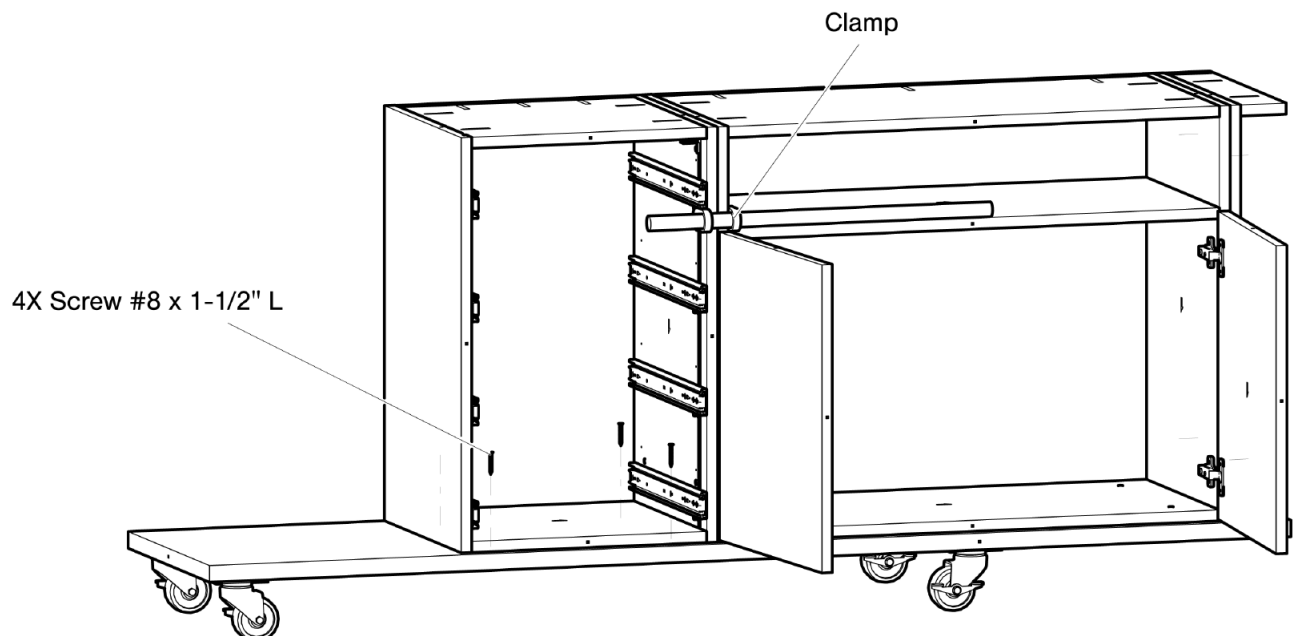


Catalina Islands Installation Instructions

- 11** Tighten box drawer to storage cabinet using clamp and affix box drawer to storage cabinet using four (4) screws

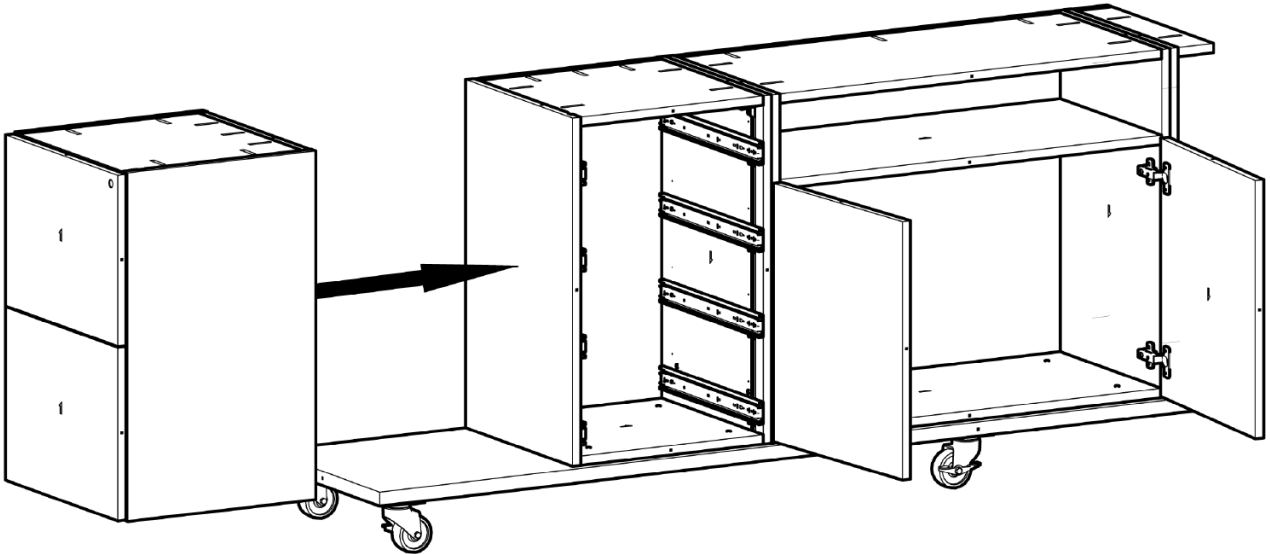


- 12** Affix end drawers to bottom panel using four (4) screws

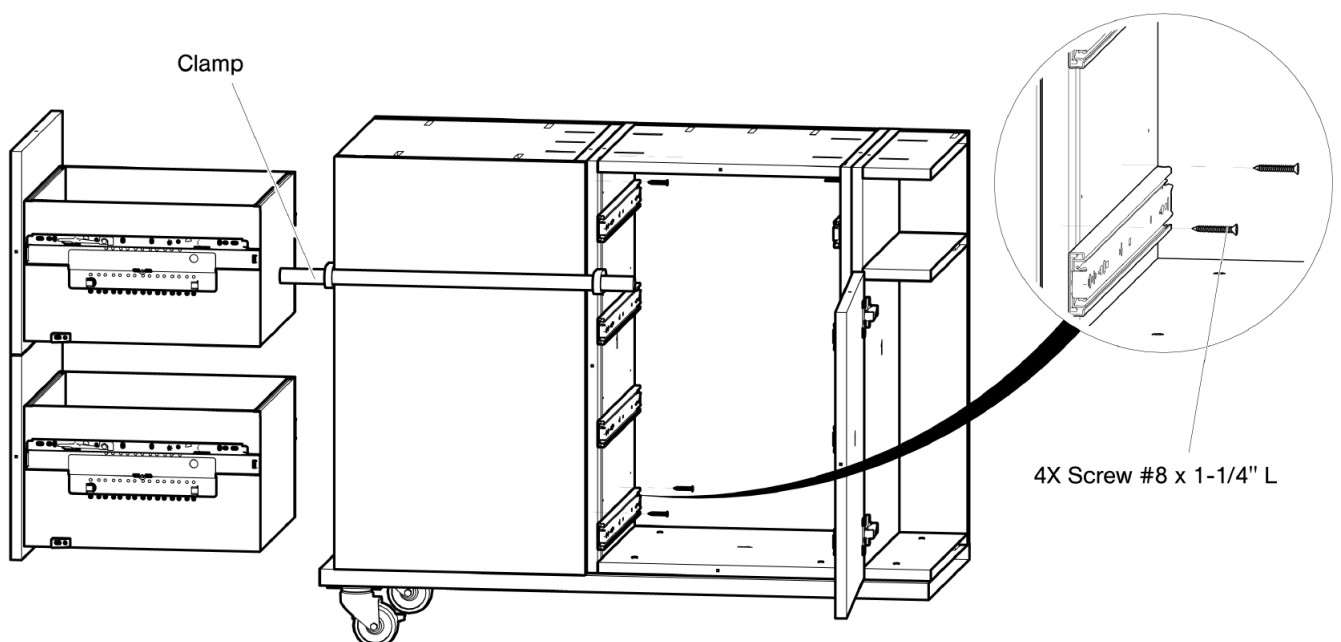


Catalina Islands Installation Instructions

- 13 Place end drawer on the side of box drawer

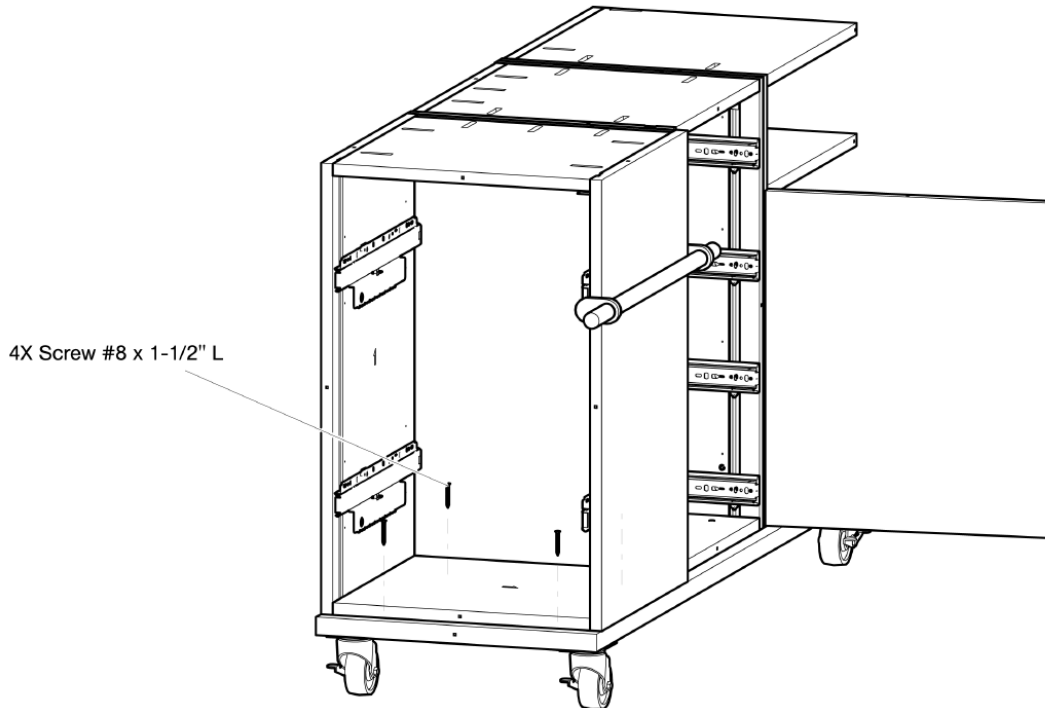


- 14 Remove drawers. Tighten end drawer to box drawers using clamp and affix to box drawers using four (4) screws

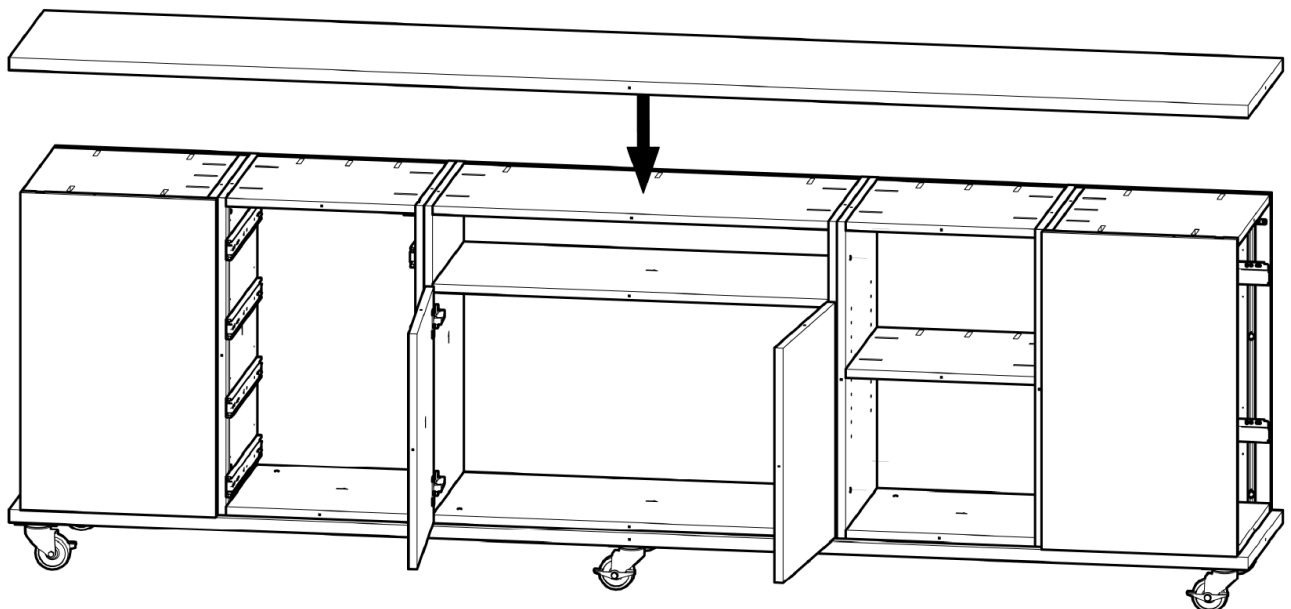


Catalina Islands Installation Instructions

- 15 Affix end drawer to bottom using four (4) screws

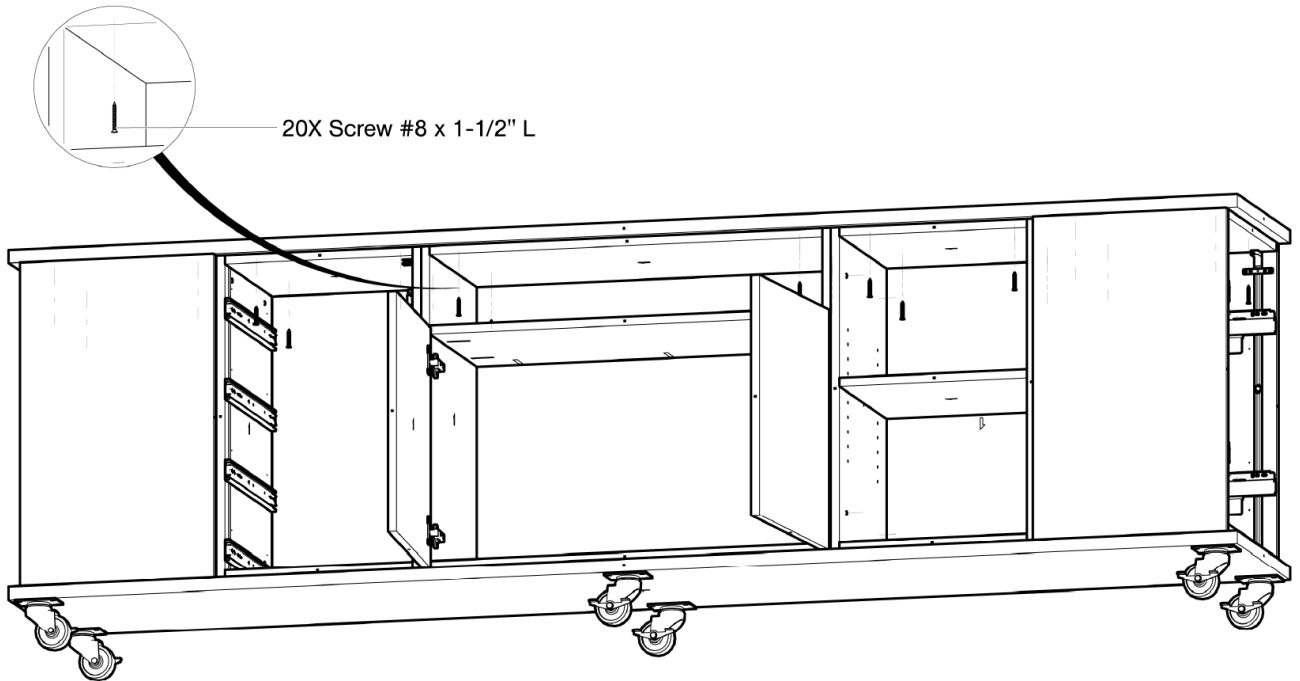


- 16 Place top panel on top of unit

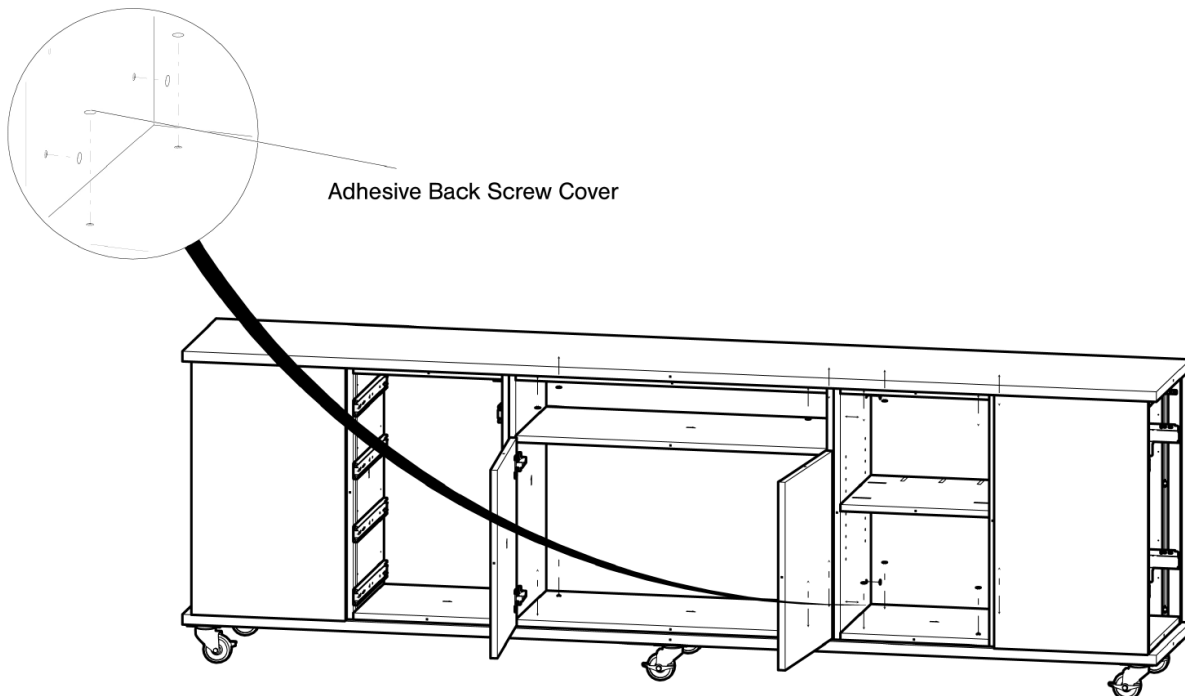


Catalina Islands Installation Instructions

- 17 Affix top panel using twenty (20) screws - four in each box



- 18 Place adhesive back screw cover on top of all screws



Catalina Islands Installation Instructions

- 19 Lastly, place all drawers back inside unit

