

# Corner Stack-On Transaction Counter

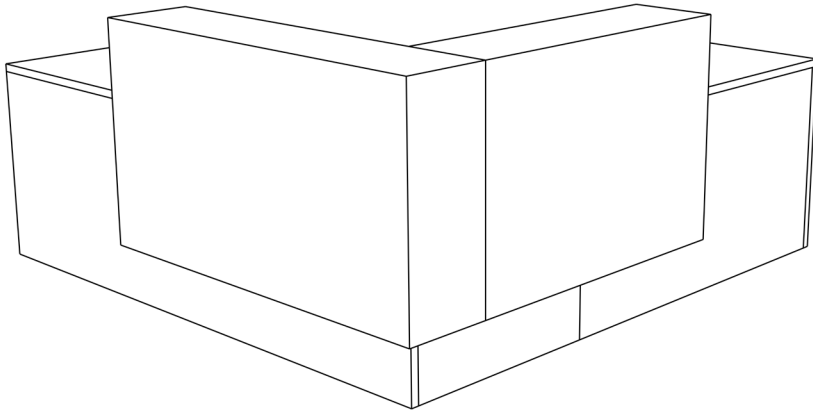
Installation Instructions



**DeskMakers**

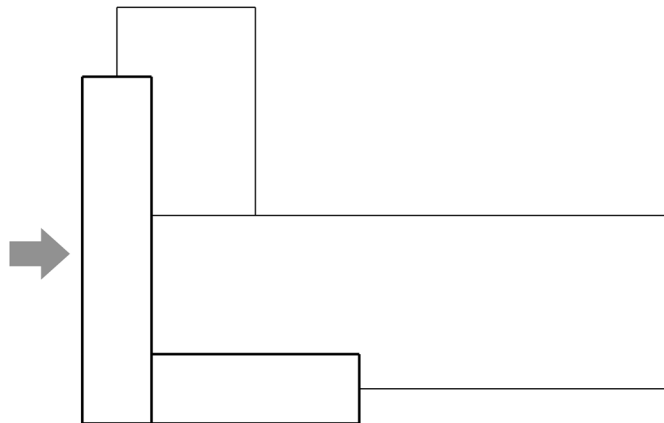
## Corner Transaction Counter

Installation Instructions



## Corner Stack-On Transaction Counter

### Placement

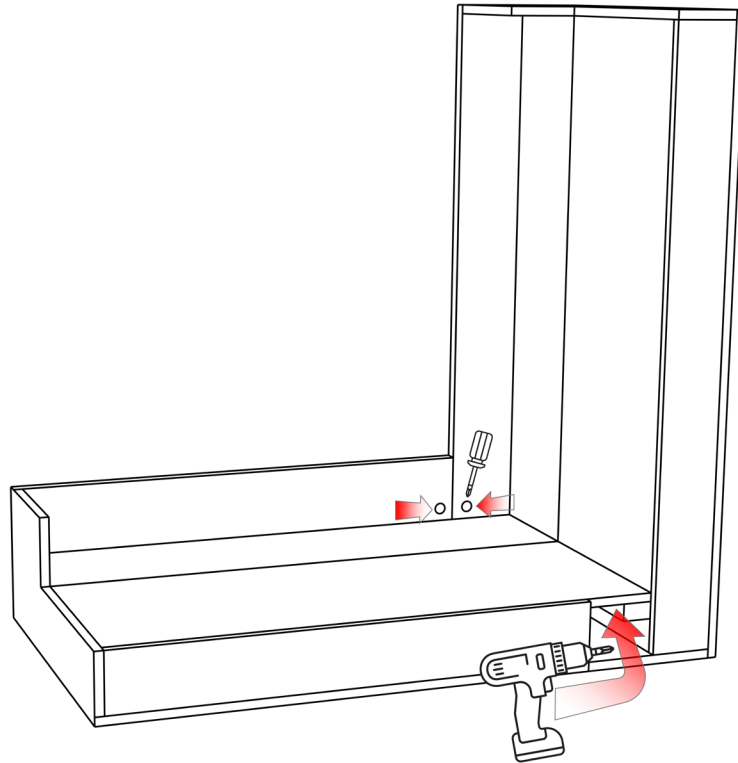


When installing the counter, the long side should be positioned on the primary approach side of desk.

## Corner Transaction Counter Installation Instructions

1

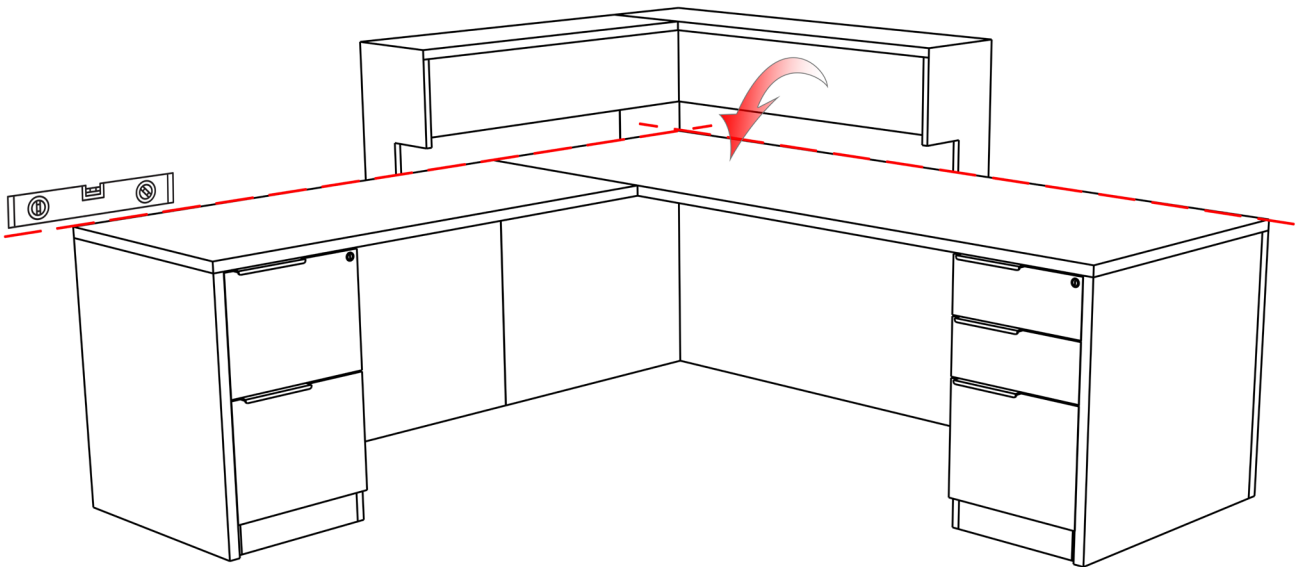
Place the two pieces of the transaction counter on a protected surface and align them. Use the provided draw-tight hardware to connect the units at the under the top corner, and affix the lower corner using included woodscrews (#8 x 1-1/4" Long Flat Head Screws).



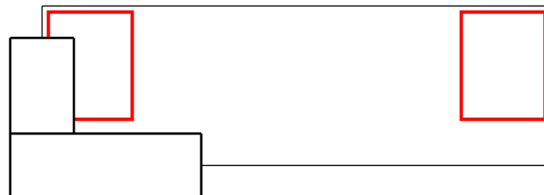
## Transaction Counter Installation Instructions

2

Level desk in desired location by adjusting glides at bottom of end panels. Any pedestals should be secured with included wood screws (#8 x 1-1/4" Long Flat Head Screws) to the desk shell before stack-on is placed to prevent tipping. Place the stack-on on the surface of the desk shell in the desired position.



The weight of the storage pedestal is an important counter-balance to the weight of the stack-on counter - when the counter is placed to one side, the storage pedestal should be placed directly behind it to prevent tipping or wobbling. A return or bridge can also serve this purpose in a larger desk configuration.



## Transaction Counter Installation Instructions

- Secure Stack-On Counter with provided woodscrews (#8 x 1-1/4" Long Flat Head Screws) as shown below.

