



electrical

PRICE & SPECIFICATION GUIDE

Version: 12.01.24
prices effective February 1, 2025

The logo for DeskMakers, featuring the word "Desk" in a grey sans-serif font and "Makers" in a bold, black sans-serif font, with a horizontal orange line above the "Makers" text.

revisions

| | |
|----------|-------------------------------------------------------------------------------------------------------------------------------------------------------------------------------------------------------|
| 03/28/19 | Discontinued units AC-ELSC-01, AC-ELSC-03, AC-ELSC-04 and AC-ELSC-05 |
| 03/28/19 | Added new units AC-ELSC-02, AC-ELSC-4A and AC-ELSC-06 |
| 03/28/19 | Updated AC-ELSC-KIT3 to AC-ELSC-KIT4 |
| 06/01/19 | Updated pricing for price increase |
| 06/26/19 | Pricing adjusted |
| 07/02/19 | Pricing corrected |
| 09/19/19 | AC-ELSC-KIT4 discontinued |
| 11/20/19 | Updated layout and added AC-DPGR-78 |
| 02/24/20 | Changed model number AC-DPGR-78 to AC-DPGR-80 |
| 01/01/21 | Updated pricing |
| 12/20/21 | Updated pricing |
| 03/31/22 | Updated select pricing and skus |
| 08/18/22 | Added surcharge note |
| 12/01/22 | Updated pricing |
| 01/16/23 | Updated cable carrier pricing |
| 09/18/23 | Updated product offering to include USB-C, improved wire management selection |
| 09/18/23 | Discontinued AC-DPGR-80, AC-ELMA-01, AC-ELAC-01/02/03, AC-ELSC-ALL, AC-ELCV-1RND, AC-ELCV-09/10/11, AC-DPGR-BC51L, AC-DPGR-ABC51L, AC-MGMT-TRGH, AC-MGMT-CSPN, AC-MGMT-02, AC-CBLC-SLIM, AC-MGMT-CCXX |
| 10/18/23 | Product detail error corrected |
| 03/15/24 | Updated pricing |
| 12/01/24 | Updated pricing, updated units to include USB-C as available - see product details |

table of contents

| | |
|----------------------|-------|
| Product Details | 4-29 |
| Power Units | 30-36 |
| V1 System | 37 |
| V2 System | 38-39 |
| S1 System | 40-41 |
| Accessories | 42 |
| Interface Plates | 43 |
| Grommets | 44 |
| Wire Management | 45-46 |
| Terms and Conditions | 47 |
| Warranty | 48 |

electrical

Recessed Power and Data Unit with USB-A

AC-DPGR-72

See Page 30 for pricing



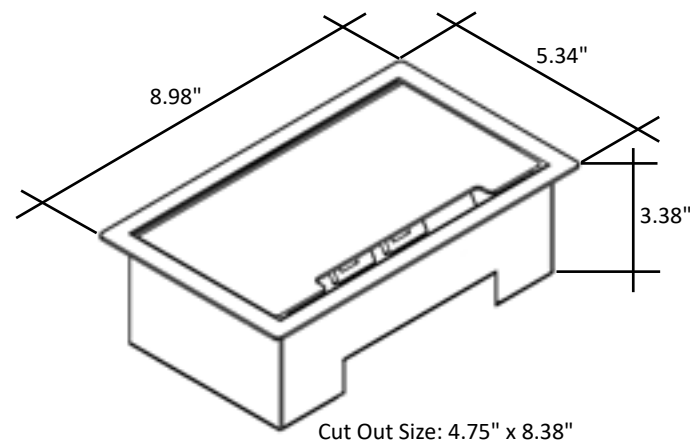
(Image shown with interface plate - see pg 43 for options.)

Specifications

- (2) power outlets
- (2) 2.1A USB charging ports
- (1) convenience outlet on bottom
- (1) cutout for interface plate (not included)
- (2) RJ-45 keystone knock outs (jacks not included)
- (2) Cord Pass Throughs
- 144" long 15amp plug cord
- Available finishes: Black, Silver, White and Brushed Aluminum
- Hardwire version available upon request

For Use With:

- Conference Tables including Scale 1:1 Collection
- Training Tables
- Parsons Tables (36" & 42" deep only)
- TeamWorx Worksurfaces
- Hover Worksurfaces



Cut Out Size: 4.75" x 8.38"

Also Available with 4 Outlets, No Interface Plate

- See page 30 for pricing.



electrical

Recessed Power and Data Unit with USB-C

AC-DPGR-82

See Page 30 for pricing



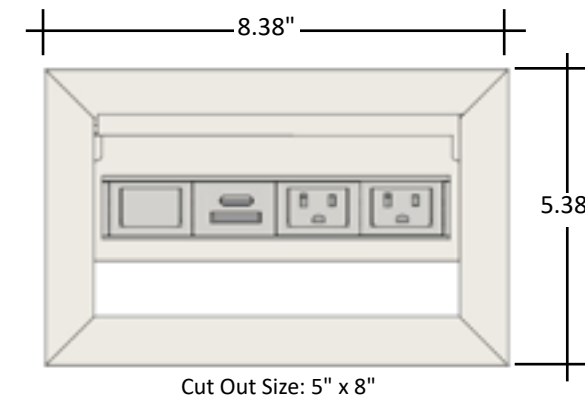
(Images shown with open data port - see pg 42 for options.)

Specifications

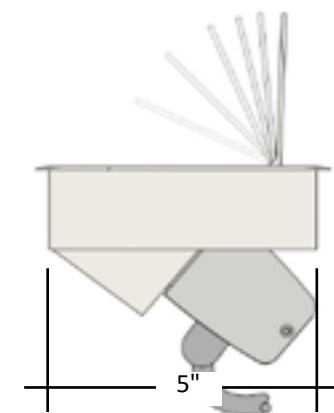
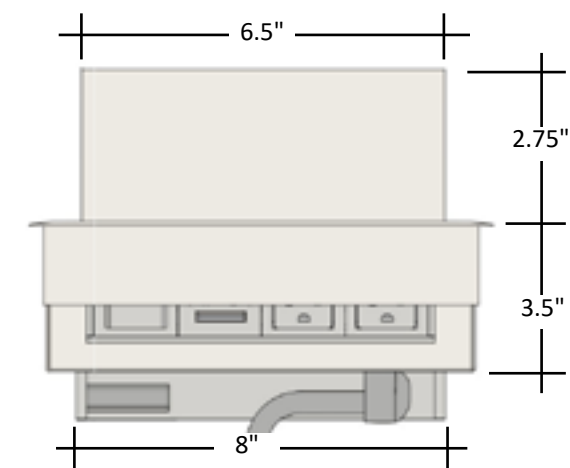
- (2) power outlets
- (1) 2.1A USB charging port
- (1) 45W USBC charging port
- (1) open data port
- 144" long 15amp plug cord
- Available finishes: Black, and Silver

For Use With:

- Conference Tables including Scale 1:1 Collection
- Training Tables
- Parsons Tables (36" & 42" deep only)
- TeamWorx Worksurfaces
- Hover Worksurfaces



Cut Out Size: 5" x 8"



Recessed Power and Data Unit With USB-C

AC-DPGR-74

See Page 30 for pricing



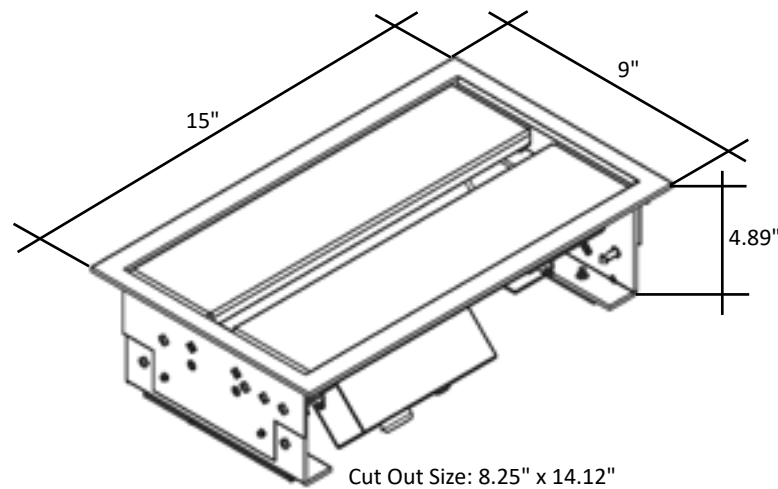
(Image shown with interface plate - see pg 43 for options. Image shows older USB A/A model.)

Specifications

- (6) power outlets
- (1) 2.1A USB-A charging port
- (1) 60-watt USB-C charging port
- (1) cutout for interface plate (not included)
- (2) 108" long 15amp plug cords
- Available finishes: Black, White, Silver and Brushed Aluminum
- Hardwire version available upon request

For Use With:

- Conference Tables



Recessed Power and Data Unit With USB-A

AC-DPGR-77

See Page 30 for pricing



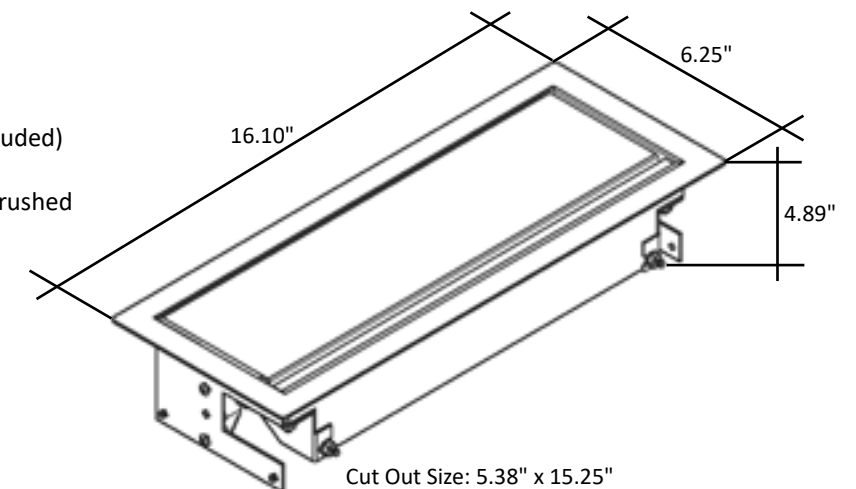
(Image shown with interface plate - see pg 43 for options.)

Specifications

- (3) power outlets
- (1) convenience outlet on bottom
- (1) cutout for interface plate (not included)
- (2) 2.1A USB charging ports
- (2) RJ-45 keystone knock outs (jacks not included)
- 108" long 15amp plug cord
- Available finishes: Black, Silver, White and Brushed Aluminum

For Use With:

- Conference Tables
- Parsons Tables (36" & 42" deep only)



Recessed Power and Data Unit

AC-DPGR-78
See Page 31 for pricing

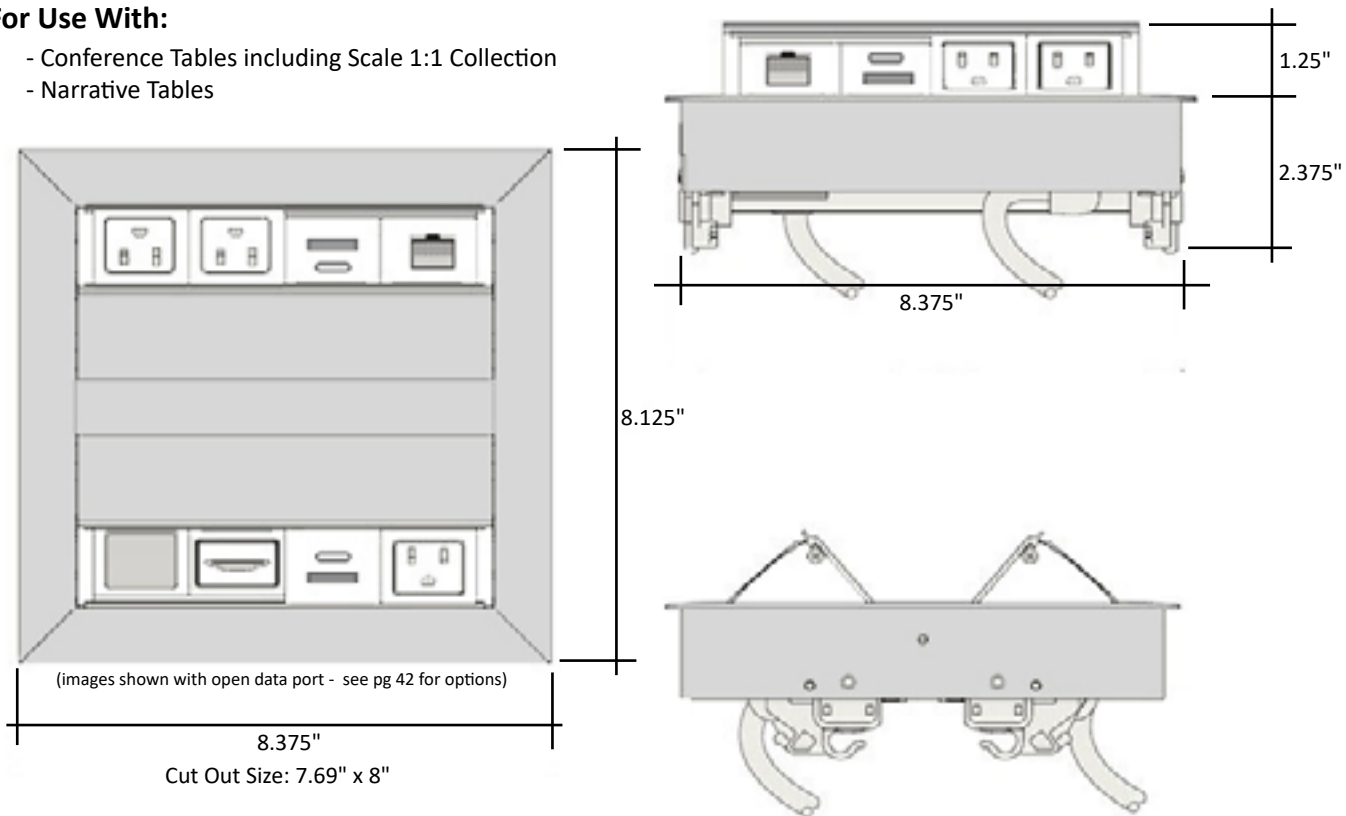


Specifications

- (3) power outlets
- (2) 2.1A USB charging ports
- (2) 45W USBC charging ports
- (1) RJ-45 Cat 6 Data port
- (1) HDMI port
- (1) Open data port
- (2) 120" long 15amp plug cords
- Available finishes: White and Silver

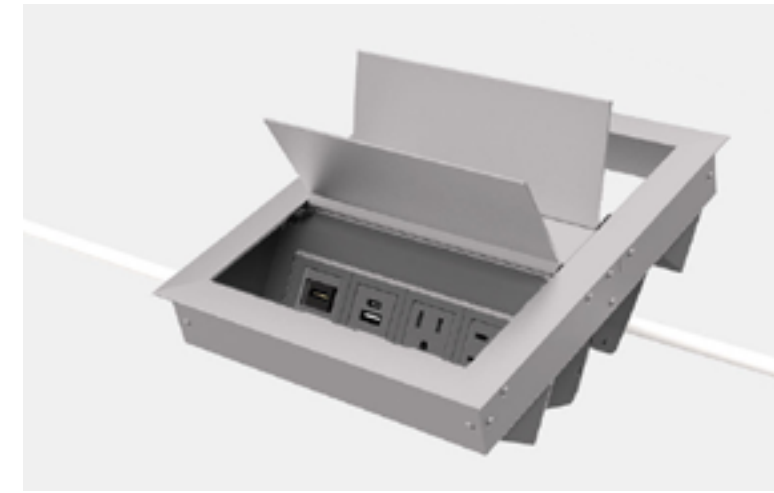
For Use With:

- Conference Tables including Scale 1:1 Collection
- Narrative Tables



Recessed Power and Data Unit With USB

AC-DPGR-79
See Page 31 for pricing

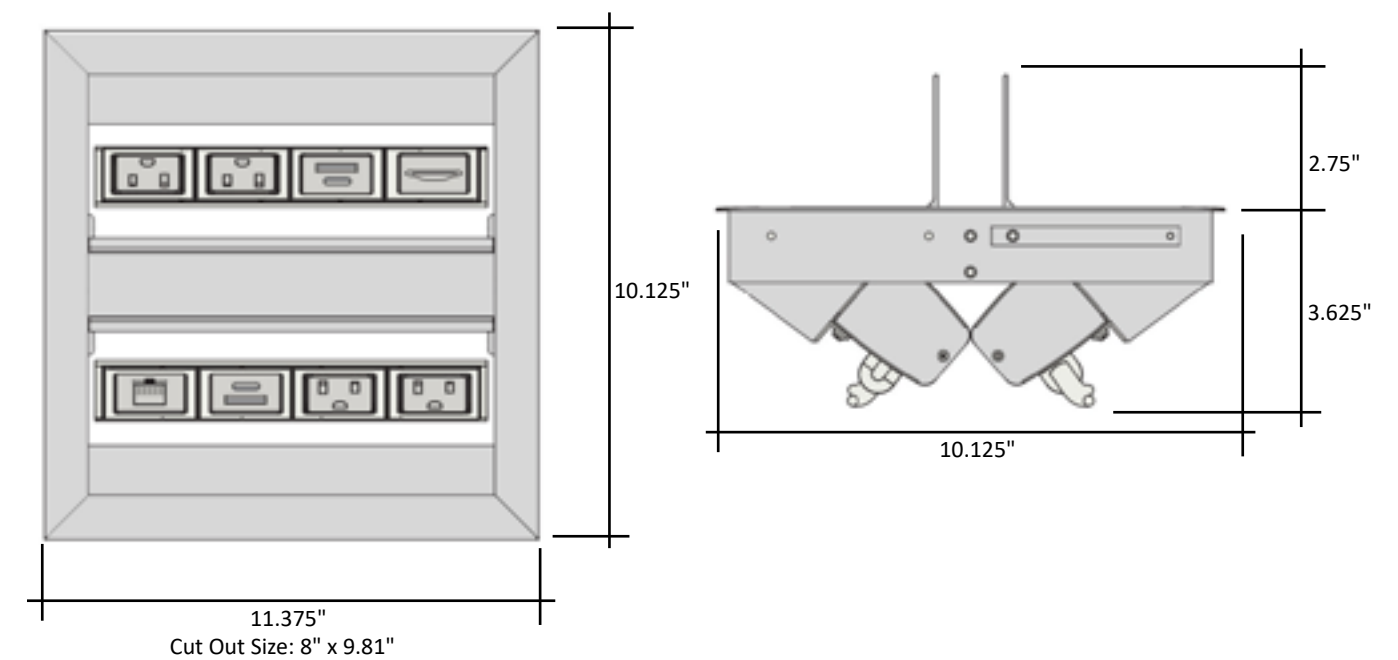


Specifications

- (4) power outlets
- (2) 2.1A USB charging ports
- (2) 45W USBC charging ports
- (1) RJ-45 Data port
- (1) HDMI port
- (2) 120" long 15amp plug cords
- Available finishes: White, and Silver

For Use With:

- Conference Tables including Scale 1:1 Collection
- Narrative Tables

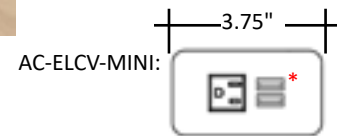
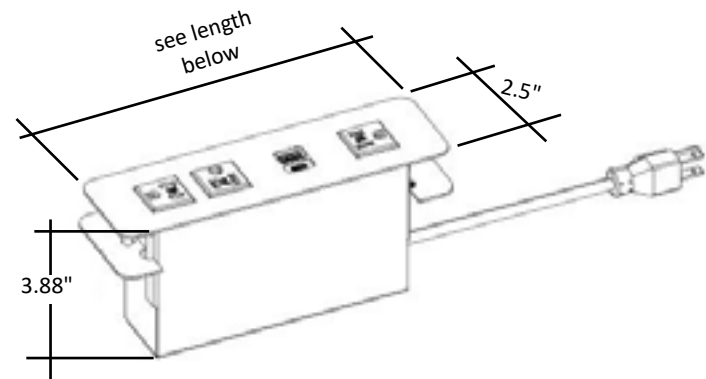


Surface Mounted Power and USB-C Unit

AC-ELCV-MINI, AC-ELCV-AC02, AC-ELCV-AC2U, AC-ELCV-AC03, AC-ELCV-AC3U, AC-ELCV-AC04
See Page 32 for pricing



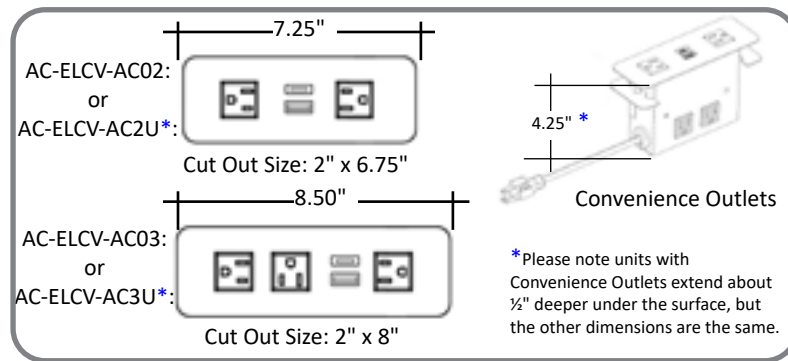
(Discontinued AC-ELCV-02 on left vs AC-ELCV-AC02 on right - note the size difference.)



AC-ELCV-MINI:

Cut Out Size: 1.9" x 3.27"

*AC-ELCV-MINI is not currently available with USB-C



AC-ELCV-AC02:
or
AC-ELCV-AC2U*:

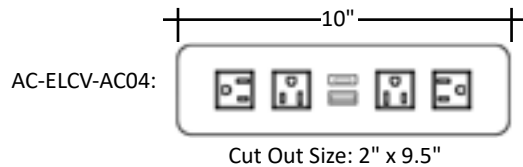
Cut Out Size: 2" x 6.75"

AC-ELCV-AC03:
or
AC-ELCV-AC3U*:

Cut Out Size: 2" x 8"

Convenience Outlets

*Please note units with Convenience Outlets extend about 1/2" deeper under the surface, but the other dimensions are the same.



AC-ELCV-AC04:

Cut Out Size: 2" x 9.5"

Specifications

- Multiple configurations available
- Spill resistant power outlets
- (1) 2.1A USB charging port
- (1) 60-watt USB-C charging port
- (1) 108" long 15amp plug cord
- Convenience outlets available on select sizes
- Tension mount
- Available finishes: Black, Silver (shown) and White

For Use With:

- Conference Tables
- Training Tables
- Parsons Tables
- TeamWorx Worksurfaces
- Hover Worksurfaces

Rectangle Grommet Retrofit

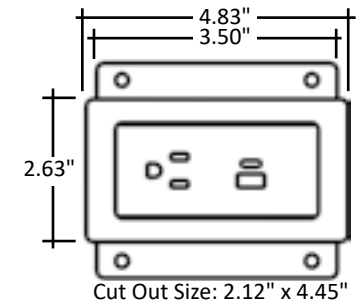
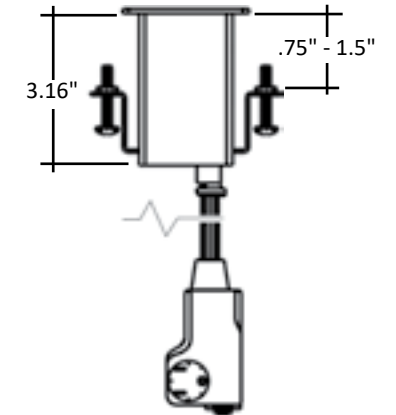


AC-ELCV-MINI is able to fit into the cutout for AC-GROM-35. This allows power to be added a later date.

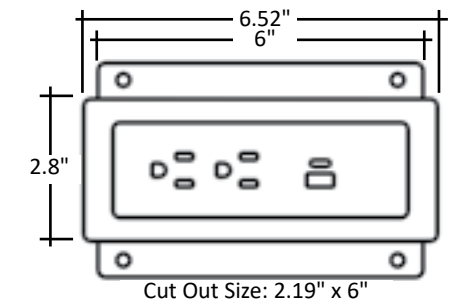


Surface Mounted Power and USB-C Unit

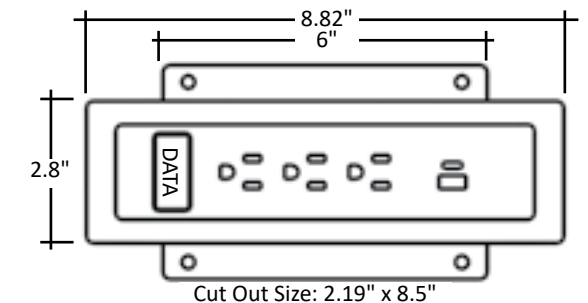
AC-ELAS-IS12, AC-ELAS-IS22, AC-ELAS-IS32
See Page 32 for pricing



Cut Out Size: 2.12" x 4.45"



Cut Out Size: 2.19" x 6"



Cut Out Size: 2.19" x 8.5"

Specifications

- Multiple configurations available
- Spill resistant power outlets
- (1) 2.1A USB charging port
- (1) USB-C 60W charging port
- 3 outlet unit include keystone data jack slot
- Bezel frame mount
- (1) 120" 15 amp plug cord
- Available finishes: Black, Silver and White (shown)

For Use With:

- Conference Tables
- Training Tables
- Parsons Tables
- TeamWorx Worksurfaces
- Hover Worksurfaces

See Page 42 for additional data jack options. Unit will come with Blank, RJ45, HDMI and VGA un-powered tech adaptors.

Available in Other Configurations:

- See page 16 for more information



Clamp-on



Undermount



In-surface

Round Surface Mounted Grommets

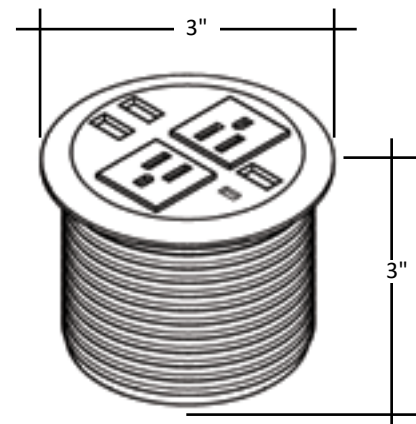
AC-PWRG-06

See Page 36 for pricing



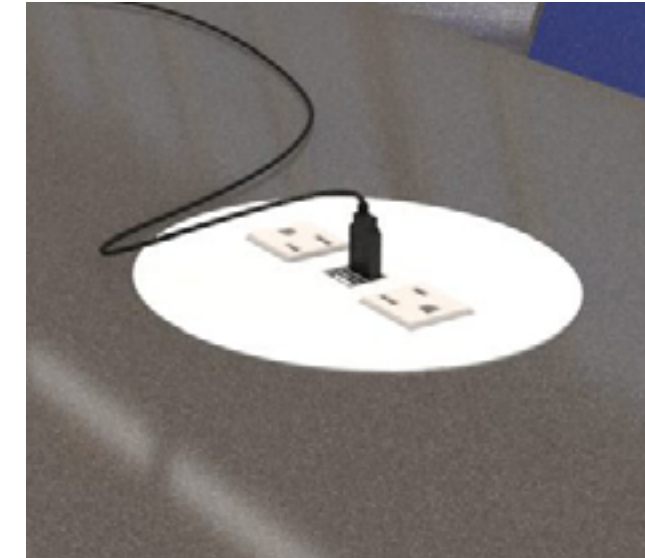
Specifications

- Round 3" grommet hole
- (2) Spill resistant power outlets
- (3) 2.1A USB charging ports
- (1) USB-C charging port
- (1) 72" long 15amp plug cord
- (1) Convenience outlet underneath unit
- Mounting Ring
- Available finishes: Black, and White



AC-ELCV-2RND

See Page 34 for pricing

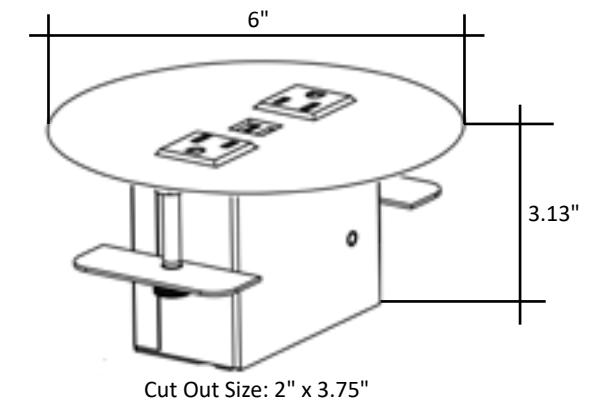


Specifications

- Multiple configurations available with Round Faceplate
- Spill resistant power outlets
- (2) 2.1A USB charging ports
- (1) 108" long 15amp plug cord
- Clamp mount
- Available finishes: Black, Silver and White

For Use With:

- Round Tables
- Parsons Tables



Cordless Charging Unit
AC-ELAC-QI
See Page 36 for pricing



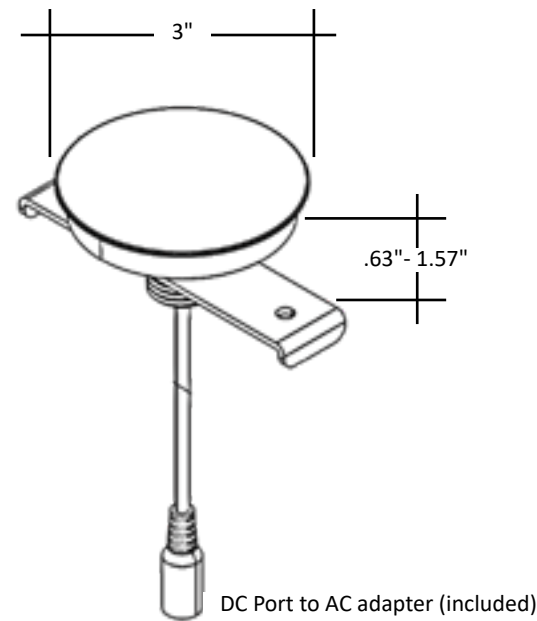
Specifications

- Cordless charging capability
- 10W Qi fast charge compatible with Samsung and Apple*
- Fits into standard 2.5" grommet cutout
- (1) 78" long 15amp cord with DC end/AC Adaptor
- Steel mounting plate
- Black faux leather soft-touch finish

*For complete list of compatible devices, contact customer service.

For Use With:

- Training Tables
- Parsons Tables
- TeamWorx Worksurfaces
- Hover Worksurfaces
- Casegood Worksurfaces



Rotating Surface Mounted Power with USB-C
AC-PWRG-08
See Page 31 for pricing



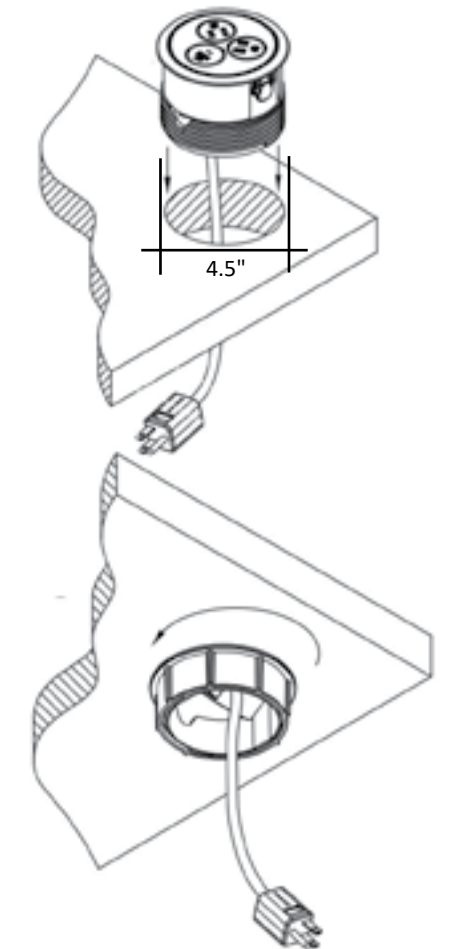
Specifications

- (2) power outlets
- (1) 2.1A USB charging ports
- (1) USB-C charging port
- (1) 72" long 15amp plug cord
- Twist-in tooless install
- Available finishes: Black, Grey, and White



For Use With:

- Training Tables
- Confluence Tables
- TeamWorx Worksurfaces
- Hover Worksurfaces
- Casegood Worksurfaces



Above Surface Power and USB-C Unit

AC-ELAS-CL12, AC-ELAS-CL22, AC-ELAS-CL32
See Page 35 for pricing

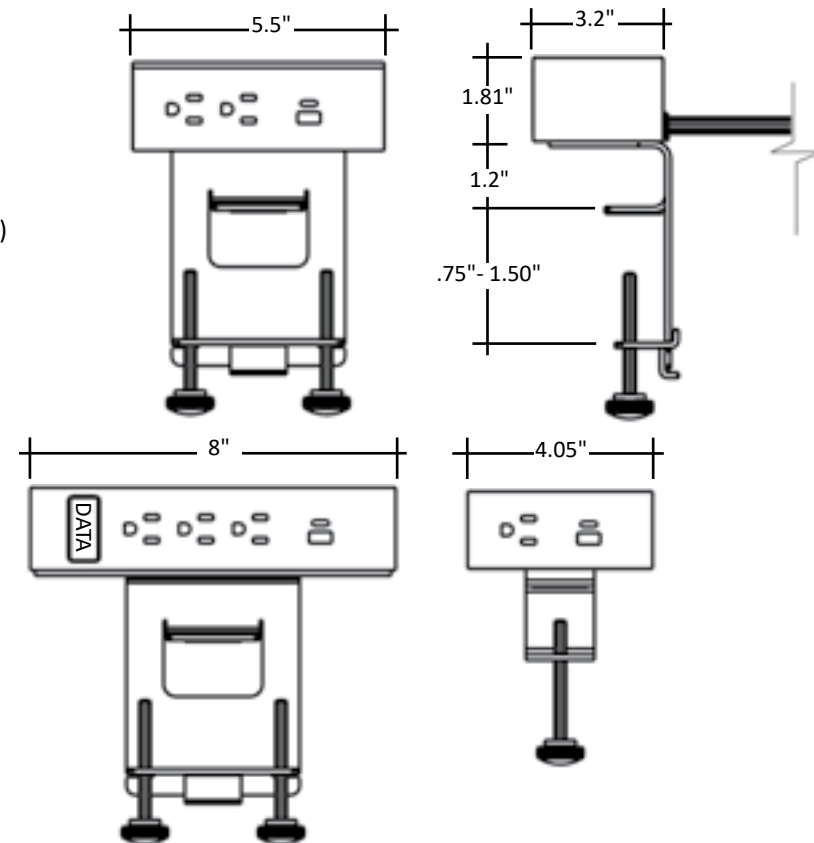


Specifications

- Multiple configurations available
- Spill resistant power outlets
- (1) 2.1A USB charging port
- (1) USB-C 60W charging port
- 3 outlet unit include keystone data jack slot
- (1) 72" 15 amp plug cord
- Clamp mount
- Available finishes: Black, Silver and White (shown)

For Use With:

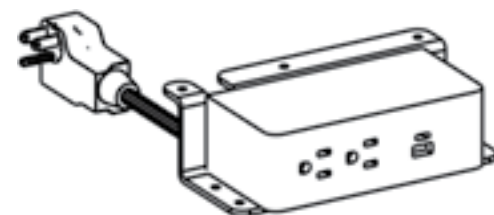
- Training Tables
- TeamWorx Worksurfaces
- Synapse Worksurfaces
- Hover Worksurfaces



See Page 42 for additional data jack options. Unit will come with Blank, RJ45, HDMI and VGA un-powered tech adaptors.

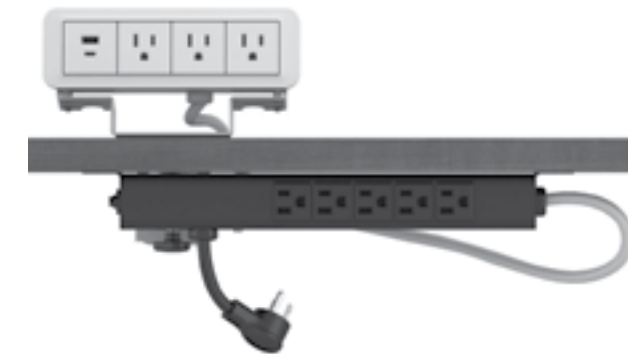
Also Available As Undermount Unit:

- Same size and configurations. Undermount unit also features a 72" plug-in cord. See page 36 for pricing.



All-In-One Electrical Unit

AC-ELEC-KIT
See Page 36 for pricing

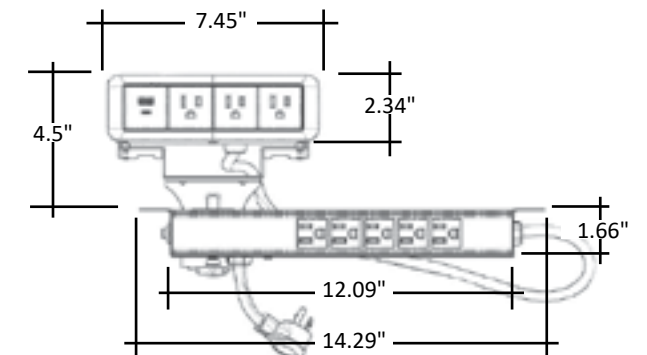


Specifications

- (3) power outlets above, (5) below
- (1) USB-A 5V 2.4A 12W charging port
- (1) USB-C 30W charging port
- 15 Amp circuit breaker on undermount unit
- Top unit attaches with tension mount clamp
- Undermount unit includes brackets and screws
- 36" white cord to connect to undermount unit
- 108" black cord with flat 90° angle plug
- Single finish: white clamp unit, black undermount unit

For Use With:

- Private Offices
- Mobile Workstations
- Height Adjustable Desks



electrical

Clamp-on Unit

AC-ELCP-02AC

See Page 35 for pricing

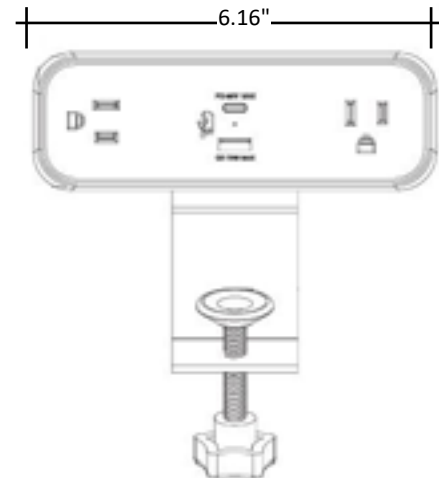
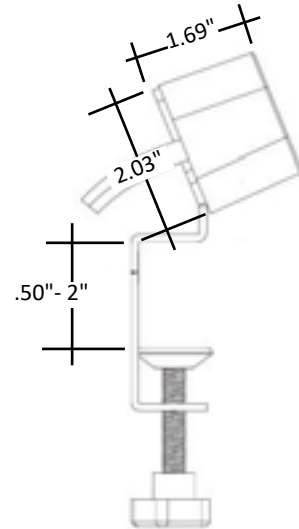


Specifications

- Single size and configuration available
- (1) 3.0A USB charging port
- (1) USB-C 65W charging port
- (1) 108" 15 amp plug cord
- Clamp mount
- Available finishes: Black, and White (shown)

For Use With:

- Training Tables
- TeamWorx Worksurfaces
- Synapse Worksurfaces
- Hover Worksurfaces



electrical

Slim Under-Desk USB Power

AC-UPWR-USB

See Page 36 for pricing



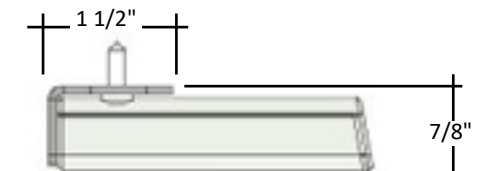
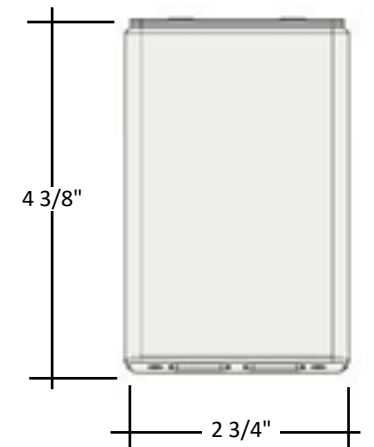
(Blue LED glows softly when unit is powered and brightly when in use.)

Specifications

- Single size and configuration available
- (1) USB-A 5V 2.4A 10W charging port
- (1) USB-C 15W charging port
- Undermount unit includes brackets and screws
- (1) 72" long 15amp cord with DC end/AC Adaptor
- Available finishes: White, Black and Grey
- Single unit - not daisy-chainable. For a system solution please contact customer service.

For Use With:

- Private Offices
- Mobile Workstations
- Height Adjustable Desks



Adapter Plug (included)

Non-Daisy-Chaining Power Base with Data

AC-ELV1-01
See Page 37 for pricing

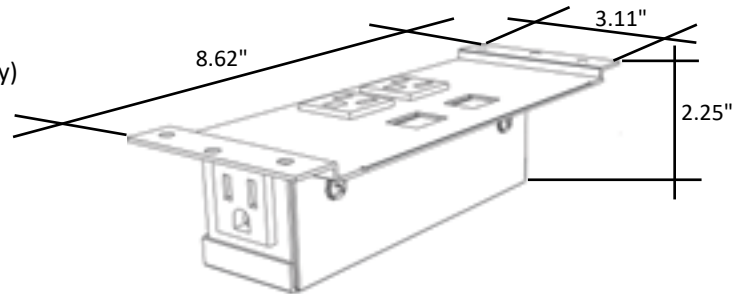


Specifications

- (2) power outlets
- (1) convenience outlet below worksurface
- (2) RJ-45 keystone knock outs (jacks not included)
- (1) 108" long 15amp plug cord
- Available finish: Black (Image above for reference only)

For Use With:

- Training Tables
- Parsons Tables



Non-Daisy-Chaining Power Base with Data and USB-C

AC-ELV1-01-USB
See Page 37 for pricing



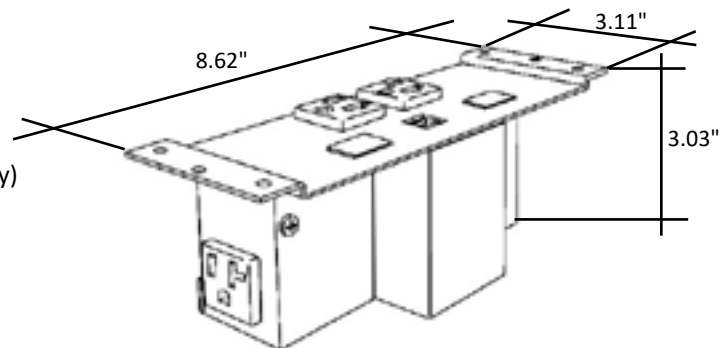
Specifications

(Image shown with data jacks - see pg 42 for options. Images show older USB A/A model)

- (2) power outlets
- (1) convenience outlet below worksurface
- (1) 2.1A USB charging port
- (1) 60-watt USB-C charging port
- (2) RJ-45 keystone knock outs (jacks not included)
- (1) 108" long 15amp plug cord
- Available finish: Black (Image above for reference only)

For Use With:

- Training Tables
- Confluence Tables



Non-Daisy-Chaining Power Base with Data

AC-ELV1-07
See Page 37 for pricing



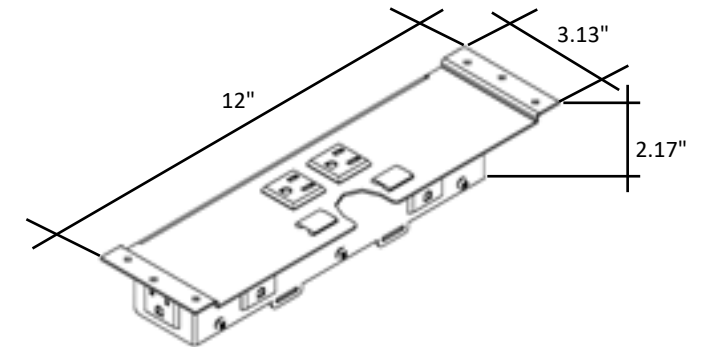
(Image shown with data jacks - see pg 42 for options.)

Specifications

- (2) power outlets
- (3) convenience outlets below worksurface
- (2) RJ-45 keystone knock outs (jacks not included)
- Notch for routing wires to access outlets below
- (1) 108" long 15amp plug cord
- Available finish: Black (Image above for reference only)

For Use With:

- Training Tables
- Parsons Tables
- TeamWorx Worksurfaces
- Hover Worksurfaces



Non-Daisy-Chaining Power Base with Data and USB

AC-ELV1-07-USB
See Page 37 for pricing



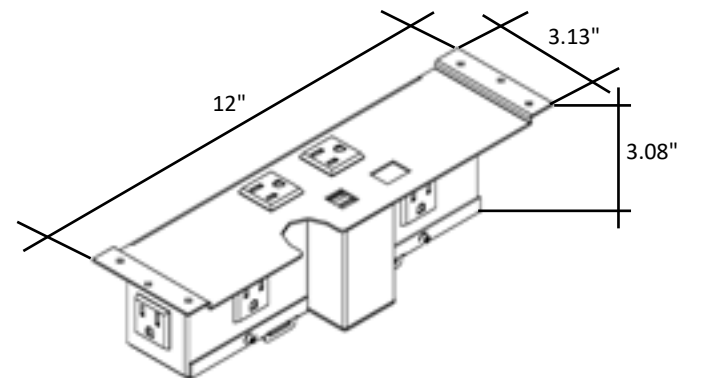
Specifications

(Image shown with data jacks - see pg 42 for options. Images show older USB A/A model)

- (2) power outlets
- (3) convenience outlets below worksurface
- (1) 2.1A USB charging port
- (1) 60-watt USB-C charging port
- (1) RJ-45 keystone knock out (jack not included)
- Notch for routing wires to access outlets below
- (1) 108" long 15amp plug cord
- Available finish: Black (Image above for reference only)

For Use With:

- Training Tables
- Confluence Tables
- TeamWorx Worksurfaces
- Hover Worksurfaces



V2 System Daisy-Chain 4 Wire, 2 Circuit



Specifications

- Multiple power bases available with outlet access above and below the worksurface
- Power bases have data knockouts for customer supplied data jacks
- Some units offer USB charging ports
- Interconnecting cables for daisy-chaining power bases together
- Non-sequential system eliminates numerical sequence of units
- Hardwire or plug starter cables

For Use With:

- TeamWorx Worksurfaces
- Hover Worksurfaces
- Casgood desks
- Parsons Tables

V2 System Components

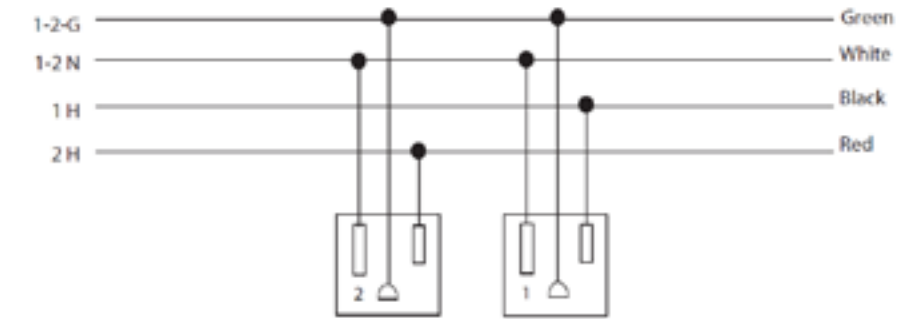
Hardwire or plug starter cables connect the V2 units to the building electrical and are rated for 20 amp

Interconnecting cables connect V2 units to each other

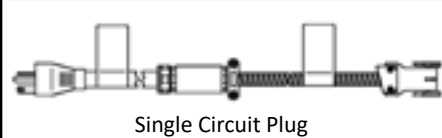

Multiple V2 units available to provide options like USB charging and outlets underneath the worksurface



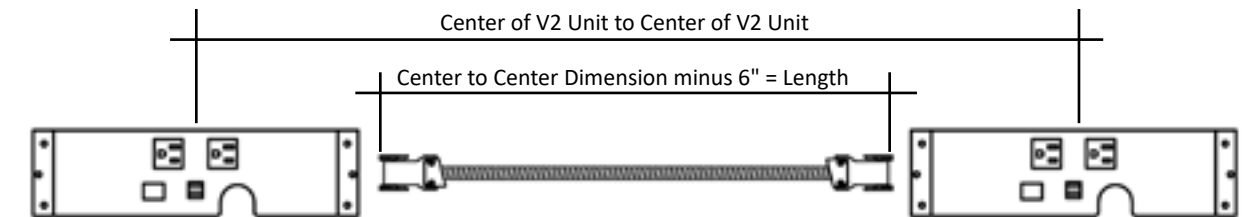
V2 System 4 Wire, 2 Circuit Wiring Schematic



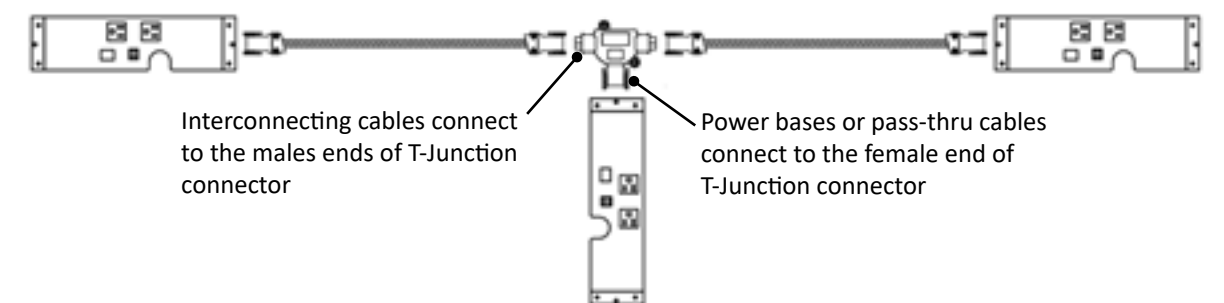
Number of Units per Starter Cable

| Starter Cable Type | Four Outlet Power Base |
|--------------------------------------------------------------------------------------------------------------|------------------------|
|  Single Circuit Plug | 4 Units |
|  Two Circuit Hardwire | 8 Units |

Calculating Interconnecting Cable Length



Using V2 System T-Junction Connector



V2 System Daisy-Chain Power Base with Data

2 Power Outlets Above Surface and 2 Power Outlets Below
 AC-ELV2-04-1CE, AC-ELV2-04-2CE
 See Page 38 for pricing

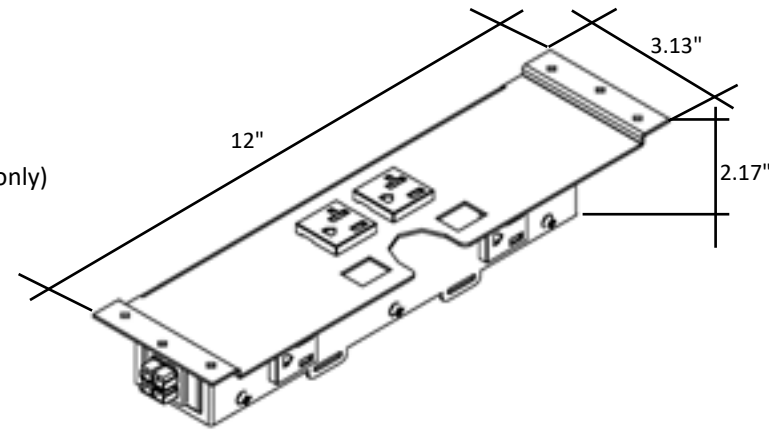


Specifications

- (2) power outlets
- (2) convenience outlets below worksurface
- (2) RJ-45 keystone knock outs (jacks not included)
- Notch for routing wires to access outlets below
- Available finish: Black (Image above for reference only)

For Use With:

- Training Tables
- Parsons Tables
- TeamWorx Worksurfaces
- Hover Worksurfaces



V2 System Daisy-Chain Power Base with Data and USB

2 Power Outlets and USB Above Surface and 2 Power Outlets Below
 AC-ELV2-04-1CU, AC-ELV2-04-2CU
 See Page 38 for pricing



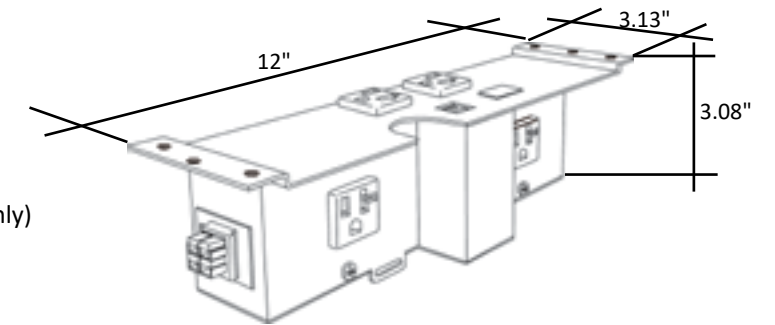
(Image shown with data jacks - see pg 42 for options. Images show older USB A/A model)

Specifications

- (2) power outlets
- (2) convenience outlets below worksurface
- (1) 2.1A USB charging port
- (1) 60-watt USB-C charging port
- (1) RJ-45 keystone knock out (jack not included)
- Notch for routing wires to access outlets below
- Available finish: Black (Image above for reference only)

For Use With:

- Training Tables
- Parsons Tables
- TeamWorx Worksurfaces
- Hover Worksurfaces



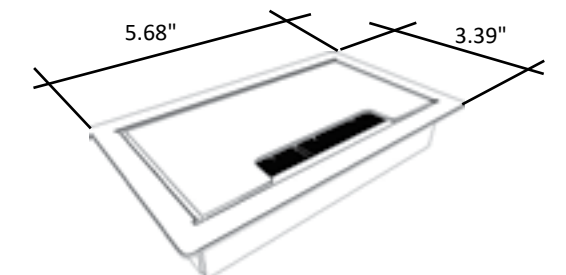
V1 and V2 System Surface Grommet

AC-ELV2-08
 See Page 44 for pricing

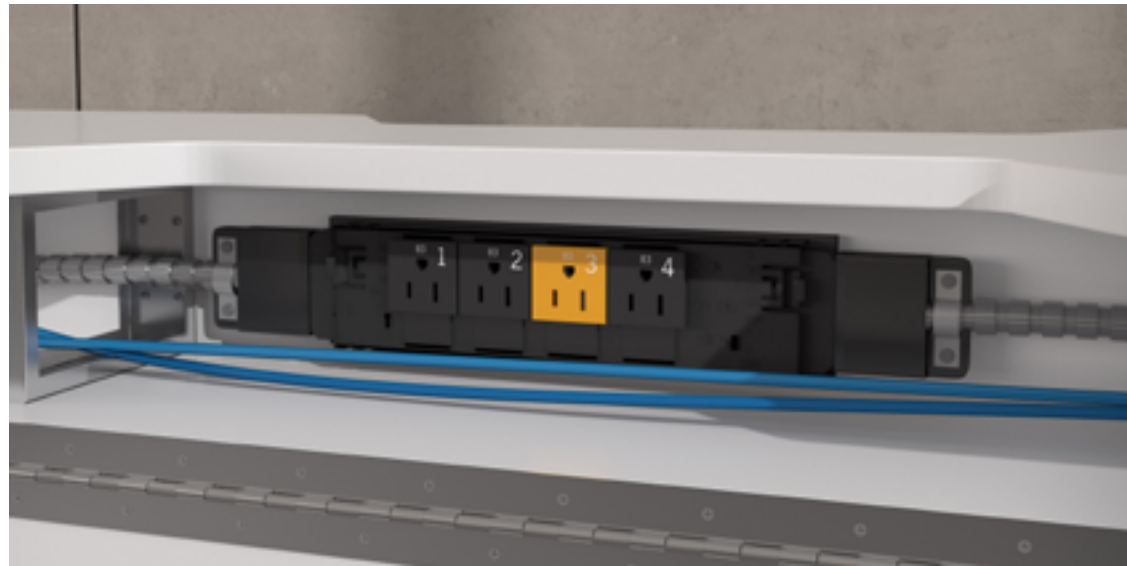


Specifications

- Hinged lid
- Available finishes: Black, Silver, White and Brushed Stainless Steel



S1 System Daisy-Chain 8 Wire, 4 Circuit



Specifications

- Single sided or double sided power blocks
- Simplex outlets are interchangeable permitting required circuit combination
- Interconnecting cables for daisy-chaining power blocks together
- Non-sequential system eliminates numerical sequence of units
- Hardwire or plug starter cables, can use both double sided and single sided power blocks in one system

For Use With:

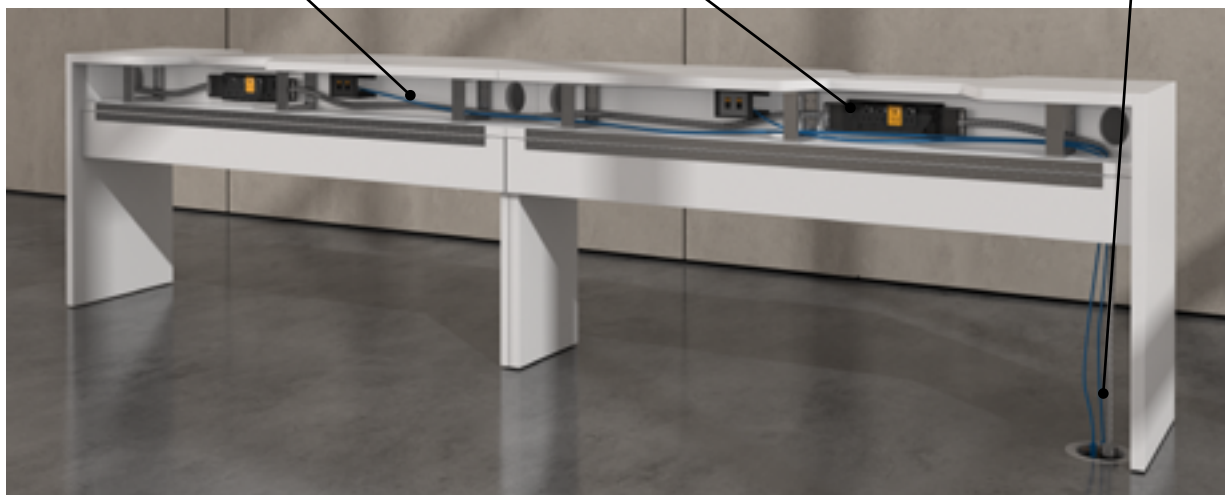
- Synapse Worksurfaces
- TeamWorx Worksurfaces
- Hover Worksurfaces

S1 System Components

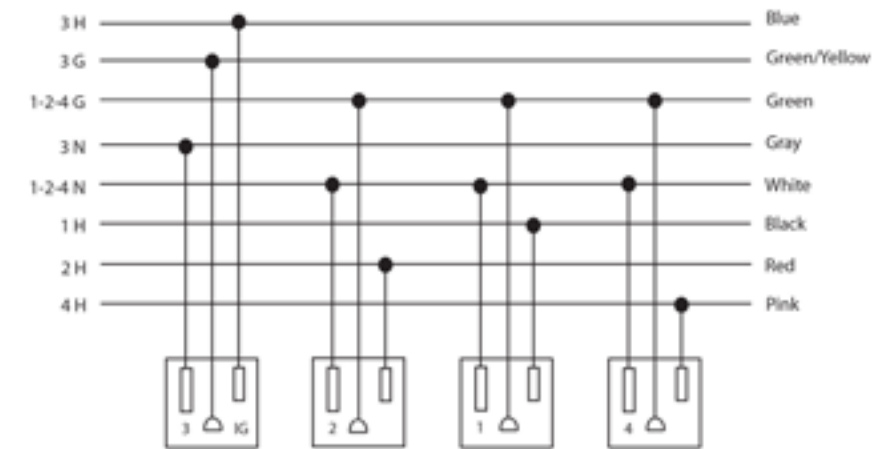
Interconnecting cables connect power blocks to each other

Single or double sided power blocks have interchangeable outlets permitting any required circuit combination



Hardwire or plug starter cables connect the power blocks to the building electrical and are rated for 20 amp



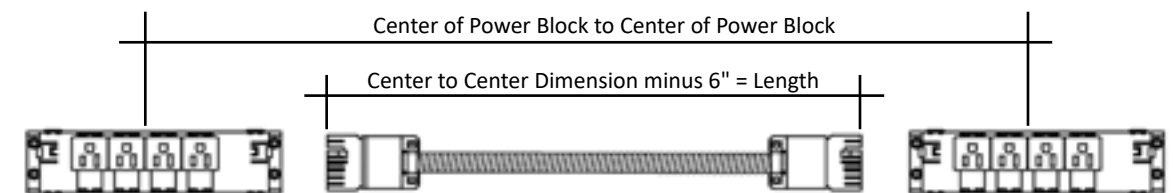
S1 System 8 Wire, 4 Circuit Wiring Schematic



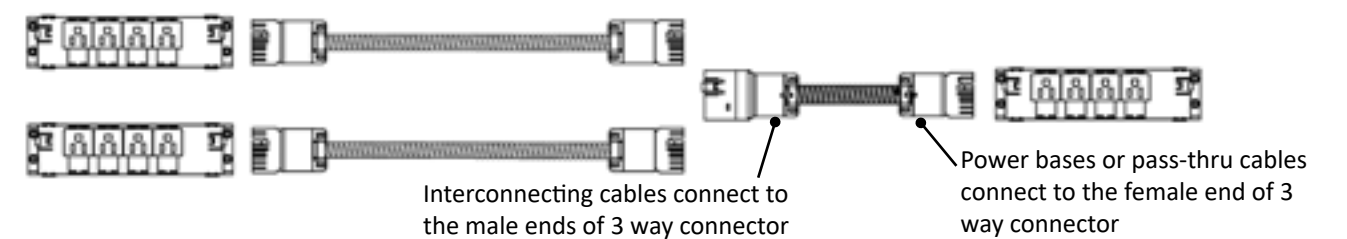
Number of Units per Starter Cable

| Starter Cable Type | Single Sided Power Block | Double Sided Power Block |
|----------------------------------------------------------------------------------------------------------------|--------------------------|--------------------------|
|  Single Circuit Plug | 4 Units | 2 Units |
|  Four Circuit Hardwire | 16 Units | 8 Units |

Calculating Interconnecting Cable Length

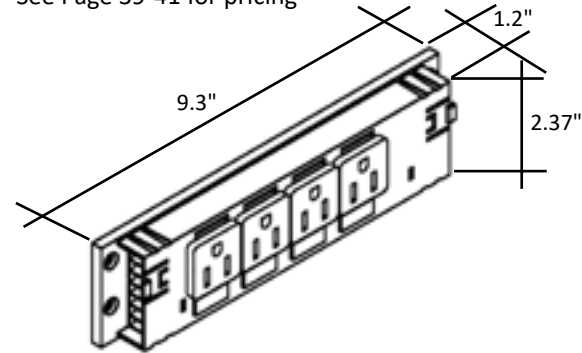


Using S1 System 3 Way Connectors



S1 System Single Sided Power Block

AC-ELS1-04
See Page 39-41 for pricing



Specifications

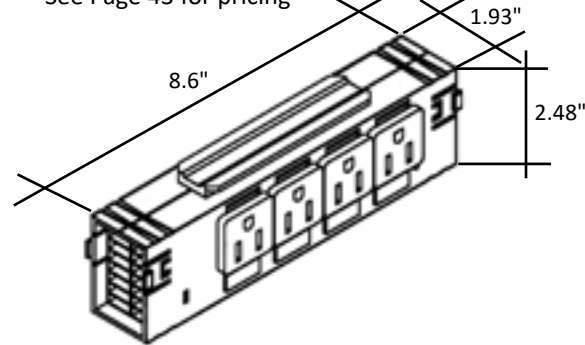
- (4) power outlets total
- Outlets are removable and interchangeable
- Screw holes for easy installation
- Available as:
 - Outlets with Circuits 1, 2, 3 & 4
 - Outlets all Circuit 1
 - Title 24 with Circuits 2 & 4 controlled

For Use With:

- Hover
- TeamWorx

S1 System Double Sided Power Block

AC-ELS1-08
See Page 43 for pricing



Specifications

- (8) power outlets total, (4) on each side
- Outlets are removable and interchangeable
- Mounting bracket included
- Available as:
 - Outlets with Circuits 1,2,3 &4
 - Outlets all Circuit 1
 - Title 24 with Circuits 2 & 4 controlled

For Use With:

- Synapse



All Circuit 1



4-Circuit Block - Circuit 3 is an isolated ground



Title-24 Compliant 4-Circuit Block - Circuits 2 & 4 are controlled.

ASHRAE 90.1/Title 24 Energy Efficiency Standards

- 50% of hardwired receptacles are required to be controlled to automatically shut off, conserving energy when not in use.
- Controlled receptacles must be marked with the designated NEC standby mark.

ASHRAE 90.1/Title 24 V2 System Daisy-Chain Power Base with Data and USB

AC-ELV2-04-T24
See Page 42 for pricing



(Image shown with data jacks - see pg 42 for options. Images show older USB A/A model)

Specifications

- (2) power outlets accessible above worksurface are controlled on Circuit 1
- (1) 2.1A USB charging port controlled on Circuit 1
- (1) 60-watt USB-C charging port controlled on Circuit 1
- (2) power outlets below the worksurface are not controlled on Circuit 2
- (1) knock out for data jack (not included)
- Available finish: Black (Image above for reference only)

ASHRAE 90.1/Title 24 S1 System Power Blocks

AC-ELS1-04-T24C, AC-ELS1-05-T24C, AC-ELS1-08DS-T24C
See Page 39-41 for pricing



(image shown with interface plates - not included)

Specifications

- Outlets on Circuits 2 & 4 are controlled
- Outlets on Circuit 1 & 3 are not controlled
- "IG" circuit 3 utility is an isolated circuit and shares neutral and ground

Recessed Power and Data Units with USB Charging



Two Outlet Version

| Model Number | Color | Price |
|---------------|------------------|---------|
| AC-DPGR-72-BK | black | \$1,135 |
| AC-DPGR-72-SM | silver | \$1,135 |
| AC-DPGR-72-WT | white | \$1,135 |
| AC-DPGR-72-ST | brushed aluminum | \$1,624 |

- Unique features include two power outlets and one decora size cut-out for a interface plate.

Four Outlet Version



| Model Number | Color | Price |
|---------------|------------------|---------|
| AC-DPGR-84-BK | black | \$1,234 |
| AC-DPGR-84-SM | silver | \$1,234 |
| AC-DPGR-84-WT | white | \$1,234 |
| AC-DPGR-84-ST | brushed aluminum | \$1,773 |

- This unit Includes four power outlets but no interface plate.

- Both units feature: (2) 2.1A USB charging ports above and one convenience outlet below.

-Two cut-outs for RJ45 CAT6 data keystone jacks. Keystone jacks not included.

-An overall size of 8.98" x 5.34". Fits in hole size of 8.38" x 4.75".

- 144" long 15amp cord with plug.

Recessed Power and Data Unit with USB-C Charging



| Model Number | Color | Price |
|---------------|--------|---------|
| AC-DPGR-82-SM | silver | \$1,065 |
| AC-DPGR-82-BK | black | \$1,291 |

- Includes 2 power outlets, (1) 2.1A USB charging port and (1) 45W USBC charging port.

- Unit features one open data port. See page 40 for options.

- Overall size is 8.38" x 5.38". Fits in hole size of 8" x 5".

- (1) 144" long 15amp cord with plug.

Double Door Recessed Power and Data Unit with USB-C Charging



| Model Number | Color | Price |
|---------------|------------------|---------|
| AC-DPGR-74-BK | black | \$3,027 |
| AC-DPGR-74-SM | silver | \$3,027 |
| AC-DPGR-74-ST | brushed aluminum | \$4,168 |
| AC-DPGR-74-WT | white | \$3,027 |

- Includes six power outlets, (1) 2.1A USB charging port and (1) 60W USBC charging port.

- One decora size cut-out for a interface plate. Unit does not include interface plate.

- Overall size is 15" x 9". Fits in hole size of 14.25" x 8.25".

- (2) 108" long 15amp cords with plug.

Recessed Power and Data Unit with USB Charging



| Model Number | Color | Price |
|---------------|------------------|---------|
| AC-DPGR-77-BK | black | \$1,826 |
| AC-DPGR-77-SM | silver | \$1,826 |
| AC-DPGR-77-WT | white | \$1,826 |
| AC-DPGR-77-ST | brushed Aluminum | \$2,550 |

- Includes three power outlets, (2) 2.1A USB charging ports and one convenience outlet below.

- One decora size cut-out for a interface plate. Unit does not include interface plate.

- Includes two cut-outs for RJ45 CAT6 data keystone jacks. Keystone jacks not included.

- Overall size is 16.1" x 6.25". Fits in hole size of 15.25" x 5.38".

- 108" long 15amp cord with plug.

Pop-up Power and Data Unit with USB-C Charging



| Model Number | Color | Price |
|---------------|--------|---------|
| AC-DPGR-78-WT | white | \$1,944 |
| AC-DPGR-78-SM | silver | \$1,944 |
| AC-DPGR-78-BK | black | \$2,362 |

- Includes three power outlets, (2) 2.1A USB, and (2) 45W USBC charging ports

- One RJ-45 Cat 6 data port, and one HDMI port.

- Unit features one open data port. See page 40 for options.

- (2x) 120" long 15amp plug cords

Recessed Power and Data Unit with USB-C Charging



| Model Number | Color | Price |
|---------------|--------|---------|
| AC-DPGR-79-WT | white | \$2,087 |
| AC-DPGR-79-SM | silver | \$2,087 |
| AC-DPGR-79-BK | black | \$2,262 |

- Includes four power outlets, (2) 2.1A USB, and (2) 45W USBC charging ports

- One RJ-45 Cat 6 data port, and one HDMI port.

- (2x) 120" long 15amp plug cords

Flipping Power and Data Unit with USB-C Charging



| Model Number | Color | Price |
|---------------|-------|-------|
| AC-PWRG-08-BK | black | \$530 |
| AC-PWRG-08-GY | grey | \$530 |
| AC-PWRG-08-WT | white | \$530 |

- Includes 2 power outlets, (1) 2.1A USB, and (1) 45W USBC charging ports

- Fits in hole size of 4.5".

- 72" long 15amp cords with plug.

Surface Mounted Power and USB Unit



| Model Number | Color | Price |
|-----------------|--------|-------|
| AC-ELCV-MINI-WT | white | \$583 |
| AC-ELCV-MINI-BK | black | \$583 |
| AC-ELCV-MINI-SM | silver | \$583 |

- Includes one power outlet and (2) 2.1A USB charging ports.
- Bendable bracket installation. Fits in cutout for AC-GROM-35 rectangle grommet.
- 108" long 15amp cord with plug.



| Model Number | Color | Price |
|-----------------|--------|-------|
| Regular | | |
| AC-ELCV-AC02-WT | white | \$702 |
| AC-ELCV-AC02-BK | black | \$702 |
| AC-ELCV-AC02-SM | silver | \$702 |

w/ Convenience Outlets (2)

| | | |
|-----------------|--------|-------|
| AC-ELCV-AC2U-WT | white | \$909 |
| AC-ELCV-AC2U-BK | black | \$909 |
| AC-ELCV-AC2U-SM | silver | \$909 |

- All units include two surface power outlets, (1) 2.4A USB charging port and (1) 60W USB C charging port.
- Clamp mount installation.
- 108" long 15amp cord with plug.
- PLEASE NOTE: images to left show the previous USB A/A model and are for color reference only. See pg 10 for full product details.



| Model Number | Color | Price |
|-----------------|--------|-------|
| Regular | | |
| AC-ELCV-AC03-WT | white | \$896 |
| AC-ELCV-AC03-BK | black | \$896 |
| AC-ELCV-AC03-SM | silver | \$896 |

w/ Convenience Outlets (2)

| | | |
|-----------------|--------|---------|
| AC-ELCV-AC3U-WT | white | \$1,154 |
| AC-ELCV-AC3U-BK | black | \$1,154 |
| AC-ELCV-AC3U-SM | silver | \$1,154 |

- All units Include three surface power outlets, (1) 2.4A USB charging port and (1) 60W USB C charging port.
- Clamp mount installation.
- 108" long 15amp cord with plug.
- PLEASE NOTE: images to left show the previous USB A/A model and are for color reference only. See pg 10 for full product details.



| Model Number | Color | Price |
|-----------------|--------|-------|
| AC-ELCV-AC04-WT | white | \$891 |
| AC-ELCV-AC04-BK | black | \$891 |
| AC-ELCV-AC04-SM | silver | \$891 |

- Includes four power outlets, (1) 2.4A USB charging port and (1) 60W USB C charging port.
- Clamp mount installation.
- 108" long 15amp cord with plug.
- PLEASE NOTE: images to left show the previous USB A/A model and are for color reference only. See pg 10 for full product details.

Surface Mounted Power Unit with USB-C



| Model Number | Color | Power | USB | Data | Cord | Price |
|-----------------|--------|-------|-------|------|------|-------|
| AC-ELAS-IS12-BK | black | 1 | 1A+1C | x | 120" | \$536 |
| AC-ELAS-IS12-WT | white | 1 | 1A+1C | x | 120" | \$536 |
| AC-ELAS-IS12-SM | silver | 1 | 1A+1C | x | 120" | \$536 |

- Includes (1) power outlets, (2) USB charging ports - (1)10.5WUSB A, (1) 60WUSB C.
- Tension screw mount installation.
- 120" long 15amp cord with plug.



| Model Number | Color | Power | USB | Data | Cord | Price |
|-----------------|--------|-------|-------|------|------|-------|
| AC-ELAS-IS22-BK | black | 2 | 1A+1C | x | 120" | \$575 |
| AC-ELAS-IS22-WT | white | 2 | 1A+1C | x | 120" | \$575 |
| AC-ELAS-IS22-SM | silver | 2 | 1A+1C | x | 120" | \$575 |

- Includes (2) power outlets, (2) USB charging ports - (1)10.5WUSB A, (1) 60WUSB C.
- Tension screw mount installation.
- 120" long 15amp cord with plug.

Surface Mounted Power Unit with USB-C and Data



| Model Number | Color | Power | USB | Data | Cord | Price |
|-----------------|--------|-------|-------|------|------|-------|
| AC-ELAS-IS32-BK | black | 3 | 1A+1C | 1 | 120" | \$661 |
| AC-ELAS-IS32-WT | white | 3 | 1A+1C | 1 | 120" | \$661 |
| AC-ELAS-IS32-SM | silver | 3 | 1A+1C | 1 | 120" | \$661 |

- Includes (3) power outlets, (2) USB charging ports - (1)10.5WUSB A, (1) 60WUSB C, and (1) data port.
- Data port adaptor kit includes plates for HDMI, RJ45, RJ11, VGA or blank insert. Connecting cables are separate. For more data options see page 40.
- Tension screw mount installation.
- 120" long 15amp cord with plug.

Round Surface Mounted Power and USB-A Units



| Model Number | Color | Price |
|-----------------|--------|-------|
| AC-ELCV-2RND-WT | white | \$702 |
| AC-ELCV-2RND-BK | black | \$702 |
| AC-ELCV-2RND-SM | silver | \$702 |

- Includes two power outlets and two USB charging ports.
- Tension screw mount installation.
- 108" long 15amp cord with plug.

Power Grommet with USB-C

Fits in 3" Grommet Hole



| Model Number | Color | Price |
|---------------|-------|-------|
| AC-PWRG-06-WT | white | \$144 |
| AC-PWRG-06-BK | black | \$144 |

- Includes (2) power outlets, (3) USB-A and (1) USB-C charging ports.
- (1) Convenience outlet located under unit.
- Tension screw mount installation.
- 72" long 15amp cord with plug.

Cordless Charging Unit



| Model Number | Color | Price |
|--------------|-------|-------|
| AC-ELAC-QI | black | \$216 |

- Fits into 2.5" diameter cutout.
- Steel mounting bracket.
- Charging modes: Samsung 10W, Fast Charge iPhone 7.5W, Fast Charge Qi 5W
- 78" long 1.5amp, 5V cord with DC port. Two pronged plug AC adaptor to fit into a standard wall outlet is included.

Clamp-on Power Unit with USB-C



| Model Number | Color | Power | USB | Data | Cord | Price |
|-----------------|--------|-------|-------|------|------|-------|
| AC-ELAS-CL12-BK | black | 1 | 1A+1C | x | 72" | \$511 |
| AC-ELAS-CL12-WT | white | 1 | 1A+1C | x | 72" | \$511 |
| AC-ELAS-CL12-SM | silver | 1 | 1A+1C | x | 72" | \$511 |

- Includes (1) power outlets, (2) USB charging ports - (1)10.5WUSB A, (1) 60WUSB C.
- Clamp mount installation.
- 72" long 15amp cord with plug.



| Model Number | Color | Power | USB | Data | Cord | Price |
|-----------------|--------|-------|-------|------|------|-------|
| AC-ELAS-CL22-BK | black | 2 | 1A+1C | x | 72" | \$583 |
| AC-ELAS-CL22-WT | white | 2 | 1A+1C | x | 72" | \$583 |
| AC-ELAS-CL22-SM | silver | 2 | 1A+1C | x | 72" | \$583 |

- Includes (2) power outlets, (2) USB charging ports - (1)10.5WUSB A, (1) 60WUSB C.
- Clamp mount installation.
- 72" long 15amp cord with plug.

Clamp-on Power Unit with USB-C and Data



| Model Number | Color | Power | USB | Data | Cord | Price |
|-----------------|--------|-------|-------|------|------|-------|
| AC-ELAS-CL32-BK | black | 3 | 1A+1C | 1 | 72" | \$630 |
| AC-ELAS-CL32-WT | white | 3 | 1A+1C | 1 | 72" | \$630 |
| AC-ELAS-CL32-SM | silver | 3 | 1A+1C | 1 | 72" | \$630 |

- Includes (3) power outlets, (2) USB charging ports - (1)10.5WUSB A, (1) 60WUSB C, and (1) data port.
- Data port adaptor kit includes plates for HDMI, RJ45, RJ11, VGA or blank insert. Connecting cables are separate. For more data options see page 40.
- Clamp mount installation.
- 72" long 15amp cord with plug.

Basic Clamp-on Electrical Unit With USB-C



| Model Number | Color | Power | USB | Cord | Price |
|-----------------|-------|-------|-------|------|-------|
| AC-ELCP-02AC-BK | black | 2 | 1A+1C | 108" | \$289 |
| AC-ELCP-02AC-WT | white | 2 | 1A+1C | 108" | \$289 |

- Includes (2) power outlets, (2) USB charging ports - (1) 3.0QC USB A, (1) 65WUSB C.
- Clamp mount installation.
- 108" long 15amp cord with plug.

Undermount Power Unit with USB-C



| Model Number | Color | Power | USB | Data | Cord | Price |
|-----------------|--------|-------|-------|------|------|-------|
| AC-ELAS-UN12-BK | black | 1 | 1A+1C | x | 72" | \$544 |
| AC-ELAS-UN12-WT | white | 1 | 1A+1C | x | 72" | \$544 |
| AC-ELAS-UN12-SM | silver | 1 | 1A+1C | x | 72" | \$544 |

- Includes (1) power outlets, (2) USB charging ports - (1)10.5WUSB A, (1) 60WUSB C.
- Bracket and installation hardware included.
- 72" long 15amp cord with plug.



| Model Number | Color | Power | USB | Data | Cord | Price |
|-----------------|--------|-------|-------|------|------|-------|
| AC-ELAS-UN22-BK | black | 2 | 1A+1C | x | 72" | \$583 |
| AC-ELAS-UN22-WT | white | 2 | 1A+1C | x | 72" | \$583 |
| AC-ELAS-UN22-SM | silver | 2 | 1A+1C | x | 72" | \$583 |

- Includes (2) power outlets, (2) USB charging ports - (1)10.5WUSB A, (1) 60WUSB C.
- Bracket and installation hardware included.
- 72" long 15amp cord with plug.

Undermount Power Unit with USB-C and Data



| Model Number | Color | Power | USB | Data | Cord | Price |
|-----------------|--------|-------|-------|------|------|-------|
| AC-ELAS-UN32-BK | black | 3 | 1A+1C | 1 | 72" | \$630 |
| AC-ELAS-UN32-WT | white | 3 | 1A+1C | 1 | 72" | \$630 |
| AC-ELAS-UN32-SM | silver | 3 | 1A+1C | 1 | 72" | \$630 |

- Includes (3) power outlets, (2) USB charging ports - (1)10.5WUSB A, (1) 60WUSB C, and (1) data port.
- Data port adaptor kit includes plates for HDMI, RJ45, RJ11, VGA or blank insert. Connecting cables are separate. For more data options see page 40.
- Bracket and installation hardware included.
- 72" long 15amp cord with plug.

All-in-One Clamp-On & Undermount Kit



| Model Number | Color | Power | USB | Data | Cord | Price |
|--------------|-------------|-------|-------|------|----------|-------|
| AC-ELEC-KIT | white/black | 3/5 | 1A+1C | x | 36"/108" | \$612 |

- Includes (3) power on top unit (5) below, & (2) USB charging ports - (1)10.5WUSB A, (1) 60WUSB C.
- Bracket and installation hardware included.
- 36" connecting cable between units, 108" long 15amp cord with plug.

Slim USB Power Undermount Kit



| Model Number | Color | Price |
|----------------|-------|-------|
| AC-UPWR-USB-BK | black | \$387 |
| AC-UPWR-USB-GY | grey | \$387 |
| AC-UPWR-USB-WT | white | \$387 |

- Includes (1) 10W USB A, and (1) 15W USB C charging port.
- Bracket and installation hardware included.
- 72" 36W AC Adaptor with plug included.

Non-Daisy-Chain Upward Facing Power Base with Data



| Model Number | Cord Length | Price |
|--------------|-------------|-------|
| AC-ELV1-01 | 108" length | \$379 |

- Includes three power outlets -- two for above worksurface access and one below worksurface.
- Includes two cut-outs for RJ45 CAT6 data keystone jacks. Keystone jacks not included.
- Needs a hinged grommet, AC-ELV2-08 .
- 108" long 15amp cord with plug.
- Black finish only. (Image for reference only)

Non-Daisy-Chain Upward Facing Power Base with Data and USB-C



(image shown with data jacks - not included)

| Model Number | Cord Length | Price |
|----------------|-------------|-------|
| AC-ELV1-01-USB | 108" length | \$584 |

- Includes three power outlets -- two for above worksurface access and one below worksurface.
- Includes (1) 2.1A USB, and (1) 60W USB C charging port.
- Includes two cut-outs for RJ45 CAT6 data keystone jacks. Keystone jacks not included.
- Needs a hinged grommet, AC-ELV2-08 .
- 108" long 15amp cord with plug.
- Black finish only. (Image for reference only)

Price

Non-Daisy-Chain Upward Facing Power Base with Data



(image shown with data jacks - not included)

| Model Number | Cord Length | Price |
|----------------|-------------|-------|
| AC-ELV1-07-108 | 108" length | \$414 |

- Includes five power outlets -- two for above worksurface access and three below worksurface.
- Includes two cut-outs for RJ45 CAT6 data keystone jacks. Keystone jacks not included.
- Includes notch for routing wires to access outlets below.
- Needs a hinged grommet, AC-ELV2-08 .
- 108" long 15amp cord with plug.
- Black finish only. (Image for reference only)

Non-Daisy-Chain Upward Facing Power Base with Data and USB-C



(image shown with data jack - not included)

| Model Number | Cord Length | Price |
|----------------|-------------|-------|
| AC-ELV1-07-USB | 108" length | \$687 |

- Includes five power outlets -- two for above worksurface access and three below worksurface.
- Includes (1) 2.1A USB, and (1) 60W USB C charging port.
- Includes one cut-out for RJ45 CAT6 data keystone jack. Keystone jack not included.
- Includes notch for routing wires to access outlets below.
- Needs a hinged grommet, AC-ELV2-08 .
- 108" long 15amp cord with plug.
- Black finish only. (Image for reference only)

V2 System Daisy-Chain Power Base with Data



| Model Number | Circuit | Price |
|----------------|-----------|-------|
| AC-ELV2-04-1CE | Circuit 1 | \$446 |
| AC-ELV2-04-2CE | Circuit 2 | \$446 |

- Includes four power outlets -- two for above worksurface access and two below worksurface.
- Includes two cut-outs for RJ45 CAT6 data keystone jacks. Keystone jacks not included.
- Includes notch for routing wires to access outlets below.
- Needs a hinged grommet, AC-ELV2-08 .
- Black finish only. (Image for reference only)

V2 System Daisy-Chain Power Base with Data and USB-C



(image shown with data jack - not included)

| Model Number | Circuit | Price |
|----------------|--------------------|-------|
| AC-ELV2-04-1CU | Circuit 1 with USB | \$654 |
| AC-ELV2-04-2CU | Circuit 2 with USB | \$654 |

- Includes four power outlets -- two for above worksurface access and two below worksurface.
- Includes (1) 2.1A USB, and (1) 60W USB C charging port.
- Includes one cut-out for RJ45 CAT6 data keystone jack. Keystone jack not included.
- Includes notch for routing wires to access outlets below.
- Needs a hinged grommet, AC-ELV2-08 .
- Black finish only. (Image for reference only)

Title 24 V2 System Daisy-Chain Power Base with Data and USB-C



(image shown with data jack - not included)

| Model Number | Circuit | Price |
|----------------|----------|-------|
| AC-ELV2-04-T24 | TITLE 24 | \$687 |

- Includes two outlets, (1) 2.1A USB, and (1) 60W USB C charging port for above worksurface access controlled on Circuit 1.
- Includes two outlets below the worksurface not controlled on Circuit 2.
- Includes one cut-outs for RJ45 CAT6 data keystone jack. Keystone jack not included.
- Includes notch for routing wires to access outlets below.
- Needs a hinged grommet, AC-ELV2-08 .
- Black finish only. (Image for reference only)

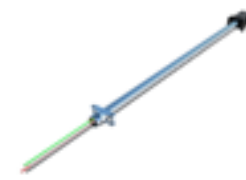
V2 System Daisy-Chain 'T' Junction



| Model Number | Price |
|---------------|-------|
| AC-ELV2-05-DT | \$231 |

- Includes one female and two male ends.

V2 System Daisy-Chain Hardwire Electrical Starter Cable



| Model Number | Length | Price |
|----------------|-------------|-------|
| AC-ELV2-11-72 | 72" length | \$255 |
| AC-ELV2-11-96 | 96" length | \$320 |
| AC-ELV2-11-108 | 108" length | \$350 |
| AC-ELV2-11-144 | 144" length | \$437 |

- Must specify both circuit 1 and circuit 2 V2 daisy-chaining power bases.

V2 System Daisy-Chain Plug Electrical Starter Cables



| Model Number | Amps | Length | Price |
|----------------|-------|------------|-------|
| AC-ELV2-01-20A | 20amp | 72" length | \$434 |

- Can only be used with circuit 1 connection box.

V2 System Daisy-Chain Interconnect Cable



| Model Number | Length | Price |
|---------------|------------|-------|
| AC-ELV2-02-12 | 12" length | \$133 |
| AC-ELV2-02-18 | 18" length | \$137 |
| AC-ELV2-02-24 | 24" length | \$161 |
| AC-ELV2-02-36 | 36" length | \$206 |
| AC-ELV2-02-48 | 48" length | \$231 |
| AC-ELV2-02-60 | 60" length | \$251 |
| AC-ELV2-02-72 | 72" length | \$274 |
| AC-ELV2-02-84 | 84" length | \$290 |
| AC-ELV2-02-96 | 96" length | \$313 |

- Interconnect cables continue the power supply between multiple connection boxes.
- Includes two female ends.

V2 System Daisy-Chain Pass Through Extension Cable



| Model Number | Length | Price |
|---------------|------------|-------|
| AC-ELV2-06-36 | 36" length | \$206 |
| AC-ELV2-06-48 | 48" length | \$231 |
| AC-ELV2-06-60 | 60" length | \$251 |
| AC-ELV2-06-72 | 72" length | \$273 |
| AC-ELV2-06-84 | 84" length | \$290 |
| AC-ELV2-06-96 | 96" length | \$345 |

- Pass thru cables extend interconnecting cables or starter cables..
- Includes one female and one male end.

S1 System Single Sided Power Block



| Model Number | | Price |
|-----------------|-------------------------------------|-------|
| AC-ELS1-04 | Circuits 1,2,3 & 4 outlets | \$207 |
| AC-ELS1-04-1CE | All Circuit 1 outlets | \$219 |
| AC-ELS1-04-T24C | Title 24: Circuits 2 & 4 Controlled | \$234 |

- 8-wire 4-circuit system. Max 4 connection boxes per circuit, with a total of 16 connection boxes on one hardwire starter when all 4 circuits are used.
- Includes S1 Power Connection Box.

S1 System Double Sided Power Block



| Model Number | | Price |
|-----------------|-------------------------------------|-------|
| AC-ELS1-08 | Circuits 1,2,3 & 4 outlets | \$297 |
| AC-ELS1-08-1CE | All Circuit 1 outlets | \$287 |
| AC-ELS1-08-T24C | Title 24: Circuits 2 & 4 Controlled | \$328 |

- 8-wire 4-circuit system. Max 2 connection boxes per circuit, with a total of 8 connection boxes on one hardwire starter when all 4 circuits are used.
- Includes S1 Power Connection Box and mounting bracket.

S1 System Daisy-Chain Hardwire Electrical Starter Cable



| Model Number | Length | Price |
|----------------|-------------|-------|
| AC-ELS1-11-72 | 72" length | \$283 |
| AC-ELS1-11-108 | 108" length | \$354 |
| AC-ELS1-11-144 | 144" length | \$424 |

S1 System Daisy-Chain 20amp Plug Electrical Starter Cable



| Model Number | Length | Price |
|---------------|------------|-------|
| AC-ELS1-10-72 | 72" length | \$438 |

- Can only be used with S1 System power blocks with all circuit 1 outlets.
- Includes 15amp converter.

S1 System Daisy-Chain Interconnect Cable



| Model Number | Length | Price |
|---------------|------------|-------|
| AC-ELS1-02-12 | 12" length | \$149 |
| AC-ELS1-02-18 | 18" length | \$188 |
| AC-ELS1-02-24 | 24" length | \$229 |
| AC-ELS1-02-36 | 36" length | \$240 |
| AC-ELS1-02-42 | 42" length | \$244 |
| AC-ELS1-02-48 | 48" length | \$266 |
| AC-ELS1-02-54 | 54" length | \$274 |
| AC-ELS1-02-60 | 60" length | \$283 |
| AC-ELS1-02-66 | 66" length | \$288 |
| AC-ELS1-02-72 | 72" length | \$309 |
| AC-ELS1-02-78 | 78" length | \$312 |
| AC-ELS1-02-84 | 84" length | \$328 |
| AC-ELS1-02-90 | 90" length | \$345 |
| AC-ELS1-02-96 | 96" length | \$355 |

- Interconnect cables continue the power supply between multiple power blocks.
- Includes two female ends.

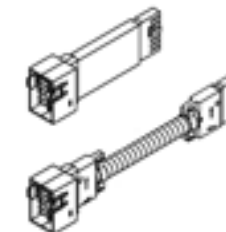
S1 System Daisy-Chain Pass Through Extension Cable



| Model Number | Length | Price |
|---------------|------------|-------|
| AC-ELS1-06-24 | 24" length | \$229 |
| AC-ELS1-06-36 | 36" length | \$240 |
| AC-ELS1-06-48 | 48" length | \$266 |
| AC-ELS1-06-60 | 60" length | \$283 |
| AC-ELS1-06-72 | 72" length | \$309 |
| AC-ELS1-06-84 | 84" length | \$328 |
| AC-ELS1-06-96 | 96" length | \$355 |

- Pass thru cables extend interconnecting cables or starter cables..
- Includes one female and one male end.

S1 System 3 Way Connectors



| Model Number | Length | Price |
|---------------|-----------------------|-------|
| AC-ELS1-13-4 | Rigid 4" length | \$170 |
| AC-ELS1-12-12 | Flex Cable 12" length | \$210 |

- Includes two male and one female ends.

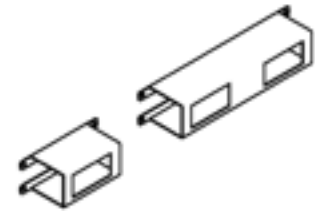
LED Task Light



| Model Number | Description | Price |
|--------------|---------------------------|-------|
| AC-TSKL-LD24 | 24" X 2.94" X 1" | \$382 |
| AC-TSKL-JMPR | 8" jumper extension cable | \$17 |

- 120V AC with built-in power supply. 600Lm white light.
 - Join more than one light together with jumper cable.
 - 120" long 15amp cord with plug.

Interface Plate Bracket



| Model Number | Description | Price |
|--------------|----------------------------------|-------|
| AC-ELBR-DAT1 | 5.5" x 2" bracket for 1 plate | \$143 |
| AC-ELBR-DAT2 | 10.75" x 2" bracket for 2 plates | \$207 |

- Metal material, black finish.
 - Brackets are 2.4" high.
 - Includes interface plates each with two keystone jack cut-outs. Jacks not included.
 - Can be mounted to the underside of Synapse center beam or inside Hover trough.

RJ-45 Cat6 Data Keystone Jack



| Model Number | Description | Price |
|--------------|-------------------------------------|-------|
| AC-ELV2-RJ45 | (1) RJ-45 Cat 6 Data punchdown jack | \$87 |

RJ-11 Cat3 Voice Keystone Jack



| Model Number | Description | Price |
|--------------|--------------------------------------|-------|
| AC-ELV2-RJ11 | (1) RJ-11 Cat 3 Voice punchdown jack | \$49 |

HDMI Keystone Jack



| Model Number | Description | Price |
|----------------|-------------------------|-------|
| AC-ELV2-HDMI-B | (1) HDMI punchdown jack | \$103 |

USB-C Keystone Jack



| Model Number | Description | Price |
|--------------|---------------------------------------------------------|-------|
| AC-ELV2-USBC | (1) USB-C Data transfer jack. 20" Male connecting cable | \$57 |

- Data jack only, no power transformer included.

Keystone Cutout Cap



| Model Number | Description | Price |
|--------------|-----------------------------------------|-------|
| AC-ELV2-CAP | (1) Black cap to cover punchdown cutout | \$4 |

Data Connectors W/ Cords
 For use with AC-DPGR-78 and 82



| Model Number | Description | Price |
|-------------------|---------------------------------|-------|
| AC-ELEC-CAT6-10FT | Cat 6 Jack with 10ft cable, M/F | \$100 |
| AC-ELEC-HDMI-6FT | HDMI Jack with 6ft cable, M/F | \$61 |

Interface Plates



| Model Number | Description | Price |
|--------------|---------------------------------|-------|
| AC-DPGR-BB | (2) RJ-45 Cat 6 Data Connectors | \$185 |



| | | |
|------------|---------------------------------------------------------|-------|
| AC-DPGR-AB | (1) RJ-11 Cat 3 Phone & (1) RJ-45 Cat 6 Data Connectors | \$142 |
|------------|---------------------------------------------------------|-------|



| | | |
|-------------|---------------------------------|-------|
| AC-DPGR-BBB | (3) RJ-45 Cat 6 Data Connectors | \$272 |
|-------------|---------------------------------|-------|



| | | |
|-------------|---------------------------------------------------------|-------|
| AC-DPGR-ABB | (1) RJ-11 Cat 3 Phone & (2) RJ-45 Cat 6 Data Connectors | \$263 |
|-------------|---------------------------------------------------------|-------|



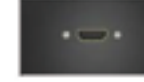
| | | |
|--------------|---------------------------------|-------|
| AC-DPGR-BBBB | (4) RJ-45 Cat 6 Data Connectors | \$401 |
|--------------|---------------------------------|-------|



| | | |
|---------------|-------------------------------------------------------------------------------------------|-------|
| AC-DPGR-ABC45 | (1) RJ-11 Cat 3 Phone, (1) RJ-45 Cat 6 Data Connectors & (1) HDMI F/F with 36" patch cord | \$408 |
|---------------|-------------------------------------------------------------------------------------------|-------|



| | | |
|---------------|--------------------------------------------------------------------|-------|
| AC-DPGR-BBC45 | (2) RJ-45 Cat 6 Data Connectors & (1) HDMI F/F with 36" patch cord | \$448 |
|---------------|--------------------------------------------------------------------|-------|



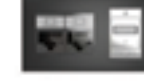
| | | |
|-----------------|--------------------------------------------|-------|
| AC-DPGR-C45-NEW | (1) HDMI F/F with 36" patch cord Connector | \$254 |
|-----------------|--------------------------------------------|-------|



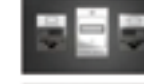
| | | |
|-----------------|------------------------------------------------------------------------------------------------------|-------|
| AC-DPGR-C45LC51 | (1) HDMI F/F with 36" patch cord, (1) Mini-Stereo Inline & (1) 15 Pin HD VGA F/F with 60" patch cord | \$500 |
|-----------------|------------------------------------------------------------------------------------------------------|-------|



| | | |
|----------------|--------------------------------------------------------------------------------|-------|
| AC-DPGR-C45102 | (1) HDMI F/F with 36" patch cord Connector & (1) USB Type A/A w/ 72 patch cord | \$357 |
|----------------|--------------------------------------------------------------------------------|-------|



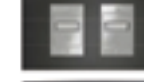
| | | |
|---------------|---------------------------------------------------------------------|-------|
| AC-DPGR-102BB | (2) RJ-45 Cat 6 Data Connectors & (1) USB Type A/A w/ 72 patch cord | \$274 |
|---------------|---------------------------------------------------------------------|-------|



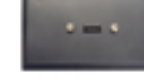
| | | |
|---------------|--------------------------------------------------------------------------------------------|-------|
| AC-DPGR-102AB | (1) RJ-11 Cat 3 Phone, (1) RJ-45 Cat 6 Data Connectors & (1) USB Type A/A w/ 72 patch cord | \$256 |
|---------------|--------------------------------------------------------------------------------------------|-------|



| | | |
|-------------|-----------------------------------|-------|
| AC-DPGR-102 | (1) USB Type A/A w/ 72 patch cord | \$103 |
|-------------|-----------------------------------|-------|



| | | |
|----------------|-----------------------------------|-------|
| AC-DPGR-102102 | (2) USB Type A/A w/ 72 patch cord | \$208 |
|----------------|-----------------------------------|-------|



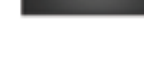
| | | |
|-----------------|------------------------------------------------------|-------|
| AC-DPGR-USBC61 | (1) USB Type C w/ 20" patch cord and 61W power block | \$701 |
| AC-DPGR-USBC61X | (1) USB Type C w/ 20" patch cord (Unpowered) | \$104 |



| | | |
|----------------|-----------------------------------------------------------------------------------------------------------|---------|
| AC-DPGR-BC4561 | (1) RJ-45 Cat 6 Data Connector, (1) HDMI w/ 36" patch cord, (1) USB C w/ 20" patch cord & 61W power block | \$1,028 |
|----------------|-----------------------------------------------------------------------------------------------------------|---------|



| | | |
|-----------------|-----------------------------------------------------------------------------------------------------|-------|
| AC-DPGR-BC4561X | (1) RJ-45 Cat 6 Data Connector, (1) HDMI w/ 36" patch cord, (1) USB C w/ 20" patch cord (Unpowered) | \$384 |
|-----------------|-----------------------------------------------------------------------------------------------------|-------|



| | | |
|--------------|-------------------------|------|
| AC-DPGR-BLNK | (1) Blank Telecom Plate | \$12 |
|--------------|-------------------------|------|

Round Grommet



| Model Number | Description | Price |
|--------------|------------------------------|-------|
| AC-GROM-1 | 2.5" black plastic grommet | \$57 |
| AC-GROM-2 | 2.5" white plastic grommet | \$57 |
| AC-GROM-6 | 2.5" stainless steel grommet | \$78 |

- Reference grommet guides for grommet placement.

Rectangle Grommet



| Model Number | Description | Price |
|--------------|-----------------------------------------|-------|
| AC-GROM-35 | 3 3/4" x 2 1/4" stainless steel grommet | \$84 |

- Reference grommet guides for grommet placement.

V2 System Hinged Grommet



| Model Number | Description | Price |
|---------------|----------------------------------------------|-------|
| AC-ELV2-08-BL | 5.7" x 3.4" black hinged grommet | \$218 |
| AC-ELV2-08-PL | 5.7" x 3.4" silver hinged grommet | \$169 |
| AC-ELV2-08-WT | 5.7" x 3.4" white hinged grommet | \$218 |
| AC-ELV2-08-ST | 5.7" x 3.4" brushed stainless hinged grommet | \$292 |

- Reference grommet guides for grommet placement.

Large Hinged Grommet



| Model Number | Description | Price |
|---------------|-------------------------------|-------|
| AC-ELV2-LG-BK | 8" x 4" black hinged grommet | \$233 |
| AC-ELV2-LG-PL | 8" x 4" silver hinged grommet | \$233 |
| AC-ELV2-LG-WT | 8" x 4" white hinged grommet | \$233 |

- Reference grommet guides for grommet placement.

Cable Spine Carrier

For Fixed & Height Adjustable Worksurfaces



| Model Number | Color | Length | Price |
|-----------------|--------|--------|-------|
| AC-MGMT-CS50-BK | black | 50" | \$147 |
| AC-MGMT-CS50-SV | silver | 50" | \$147 |
| AC-MGMT-CS50-WT | white | 50" | \$147 |

- Plastic material. Includes mounting bracket, and metal base plate. Links disconnect to adjust length.
- Links are 1 1/4" x 2-1/2".
- Appropriate for use with height adjustable or fixed height tables.

Cable Carrier

For Height Adjustable Worksurfaces



| Model Number | Price |
|-----------------|-------|
| AC-MGMT-CBLC-BK | \$240 |

- Plastic material. Black or white finish.
- For use to run cords between a height adjustable desk and a trough or fixed return.
- Channel size is 1-1/2" x 1-1/2". 36" long.
- Includes brackets and installation screws.

G-Shaped Plastic Wire Management Channel



| Model Number | Price |
|--------------------------------|-------|
| AC-MGMT-GCHN per 8 linear feet | \$91 |

- Channel size is 1-1/2" x 1-1/2".
- Secures with screws, staples or double-sided tape.
- Flexible corner opening for easy insertion of wires.
- Supplied in 8-foot increments only. Must be field installed.

Cable Tray



| Model Number | Width | Length | Height | Price |
|-----------------|-------|--------|--------|-------|
| AC-MGMT-TRAY-20 | 2 1/2 | 20 | 3 1/2 | \$93 |
| AC-MGMT-TRAY-32 | 2 1/2 | 32 | 3 1/2 | \$114 |
| AC-MGMT-TRAY-44 | 2 1/2 | 44 | 3 1/2 | \$137 |
| AC-MGMT-TRAY-56 | 2 1/2 | 56 | 3 1/2 | \$209 |
| AC-MGMT-TRAY-68 | 2 1/2 | 68 | 3 1/2 | \$247 |

- Silver (Aluminum).
- Mounts under desktop with woodscrews (included).
- Low-profile wire tray ideal for use under height adjustable desks.

Wire Management Baskets



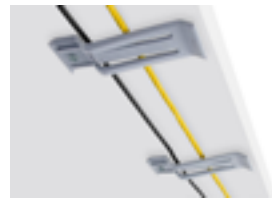
| Model Number | Width | Length | Height | Price |
|--------------|-------|--------|--------|-------|
| SY-WMBT-0836 | 8 | 36 | 2 | \$154 |
| SY-WMBT-0842 | 8 | 42 | 2 | \$161 |
| SY-WMBT-0848 | 8 | 48 | 2 | \$204 |
| SY-WMBT-0860 | 8 | 60 | 2 | \$226 |
| SY-WMBT-0872 | 8 | 72 | 2 | \$236 |

- Mounting brackets are integrated into basket for ease of installation.
- Silver finish.
- Overall height with mounting brackets is 5".

Wave Grip Wire Manager

| Model Number | Length | Width | Price |
|--------------|--------|-------|-------|
| AC-MGMT-WGRP | 5 3/4 | 1 3/4 | \$11 |

- Wave grip wire manager.
- Secures with screws.
- Silver/grey plastic.

Flex Wire Manager

| Model Number | Width | Length | Price |
|--------------|-------|--------|-------|
| AC-MGMT-FLEX | 1 1/2 | 5 3/8 | \$19 |

- Price is for one unit.
- Secures with single screw.
- Grey plastic.

Velcro Wire Manager

| Model Number | Width | Length | Price |
|----------------|-------|--------|-------|
| AC-MGMT-VELCRO | 1 3/4 | 3 1/2 | \$25 |

- Price is for one unit.
- Secures with double-sided tape.
- Black plastic and black velcro.

Leg Wire Manager

| Model Number | Price |
|--------------|----------------|
| AC-MGMT-LEG1 | Per Piece \$57 |

- Unit is 22" long.
- Made of black PVC and attaches with double sided tape.
- Wire manager snaps open and closed for wire placement.
- Must be field installed.

Mountable Power Strips

| Model Number | Color | Outlets | USB | Cord | Price |
|---------------|-------|---------|-----|------|-------|
| AC-ELPS-04-BK | black | 4 | x | 120" | \$102 |
| AC-ELPS-06-BK | black | 6 | x | 120" | \$108 |

- Units are UL and cUL listed with a 15A Circuit Breaker on end opposite cord.
- 15A receptacles with safety locks and spacing to allow for large chargers.
- Screw mount through face.
- 90 degree plug.

Please visit [Deskmakers.com](https://www.deskmakers.com) to view our current [Terms and Conditions](#).

Please visit [Deskmakers.com](https://deskmakers.com) to view our current **Warranty**.

Showroom Locations

Los Angeles

DeskMakers Headquarters
6525 Flotilla Street
Commerce, CA 90040

DeskMakers

Phone: 323.264.2260 | Fax: 323.725.6960
www.deskmakers.com