

# Era Height Adjustable Office

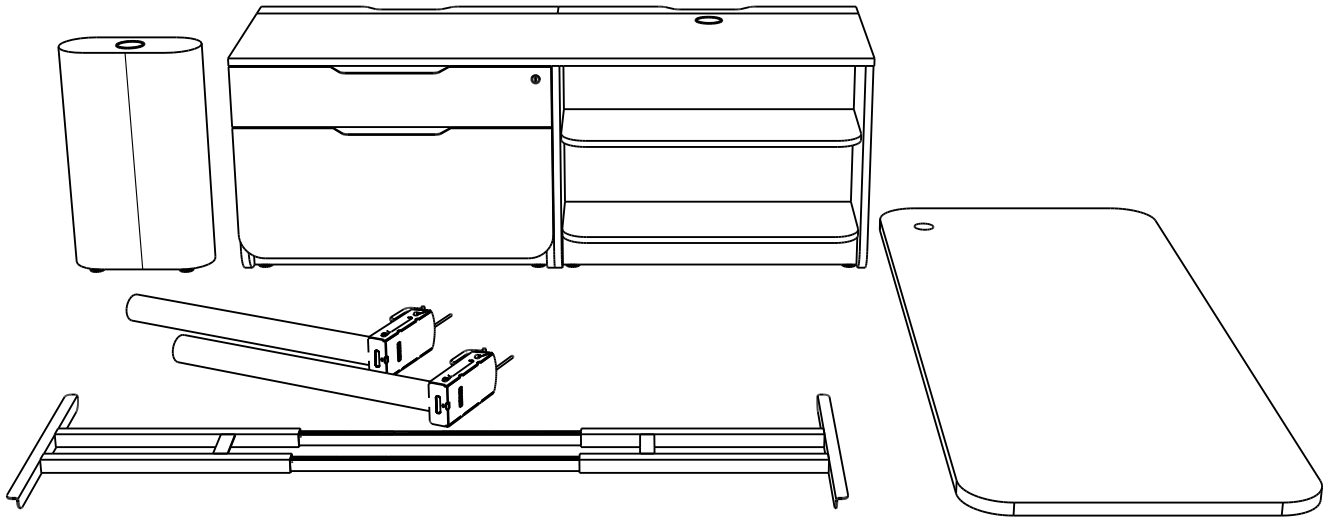
Installation Instructions



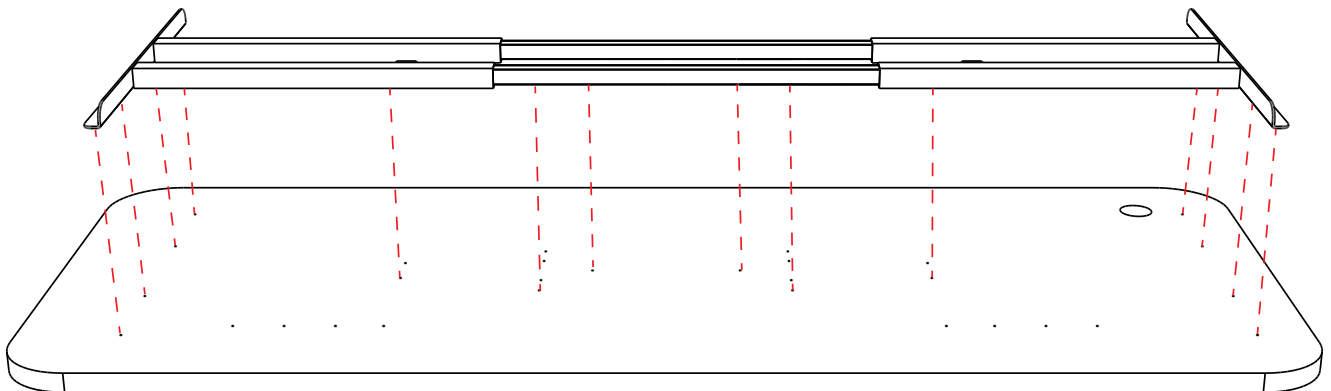
**DeskMakers**  
Be Enabled

## Era Height Adjustable Desk Install Instructions

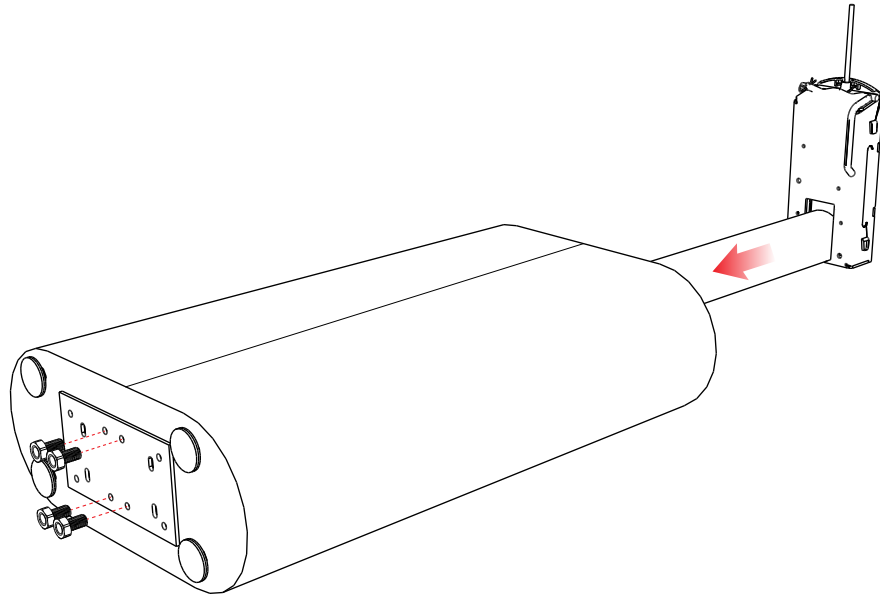
- 1 The Era Height Adjustable Desk includes the components below. The leg shroud and the credenza will always ship fully assembled. The height adjustable base components will ship in a single box with it's own instructions and trouble shooting guide - additional information available on [deskmakers.com](https://www.deskmakers.com).



- 2 Place the top upside-down on a protected surface and attach the height adjustable base frame using the pre-drilled holes and the hardware provided in box. Please note that there will be a series of unused holes near the 'front' of the desk (opposite of user side) - these are for the optional modesty panel.

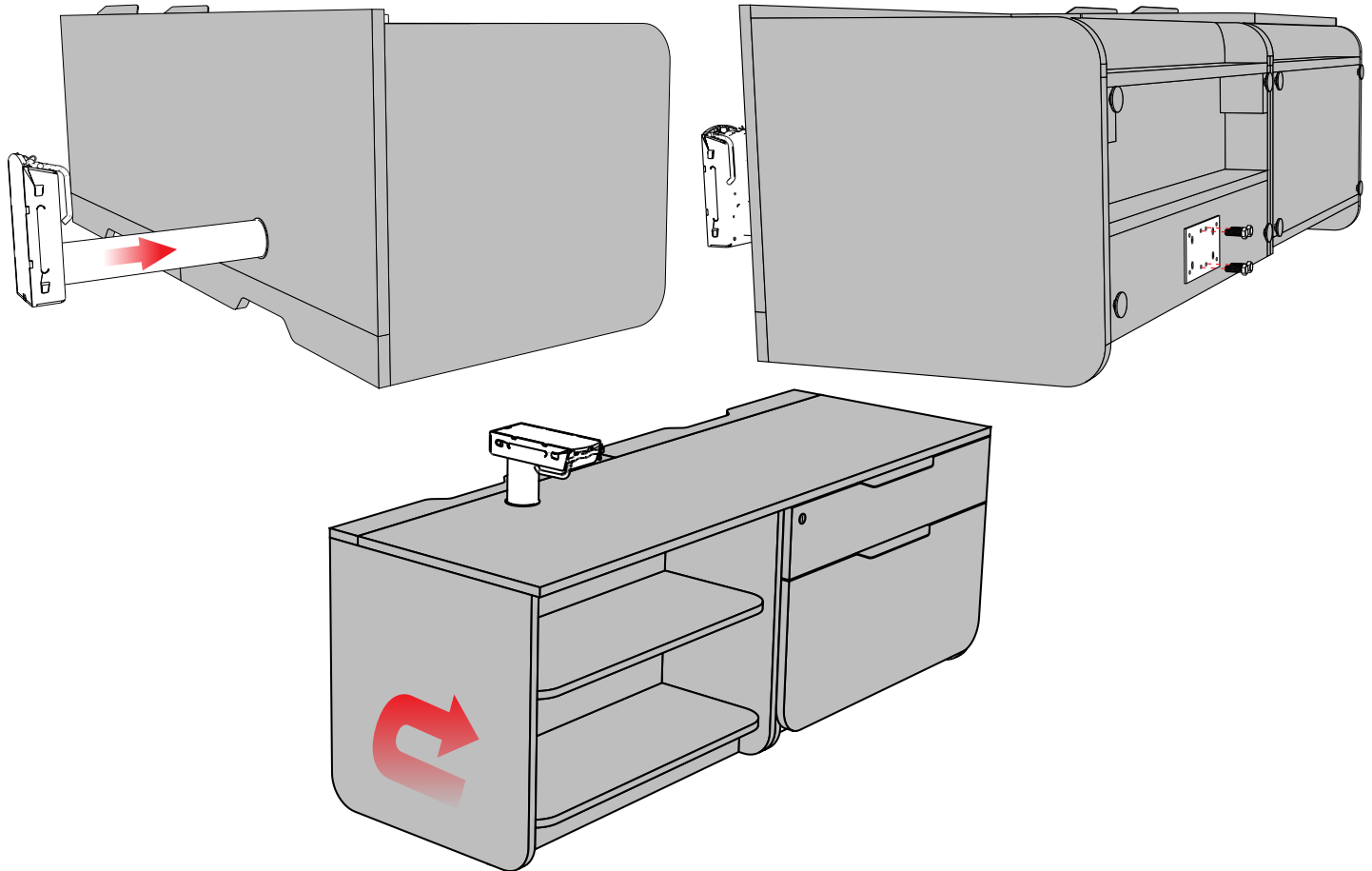


- ③ Attach the leg columns to the leg shroud and credenza by inserting the column through the grommet on top of the unit and securing it through the bracket on the bottom using four (4) of the bolts provided. The installation process is the same for all furniture items that encase HA columns.

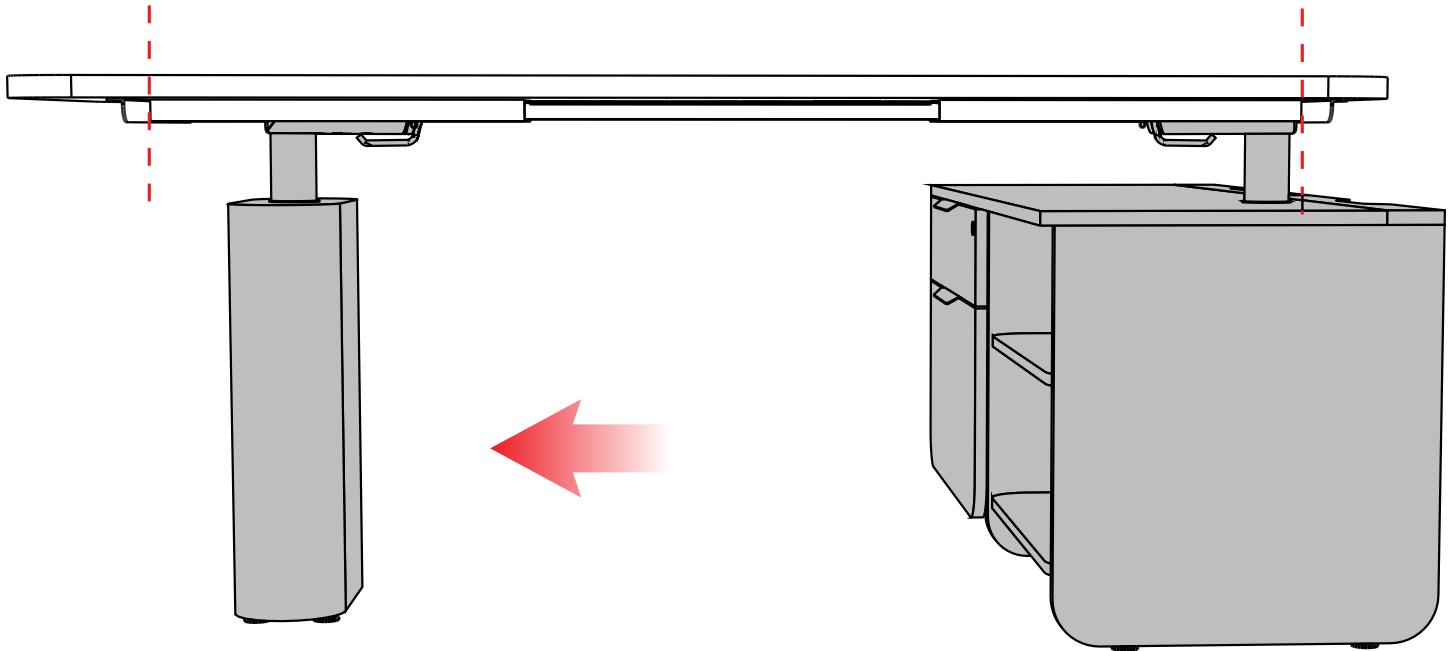


4

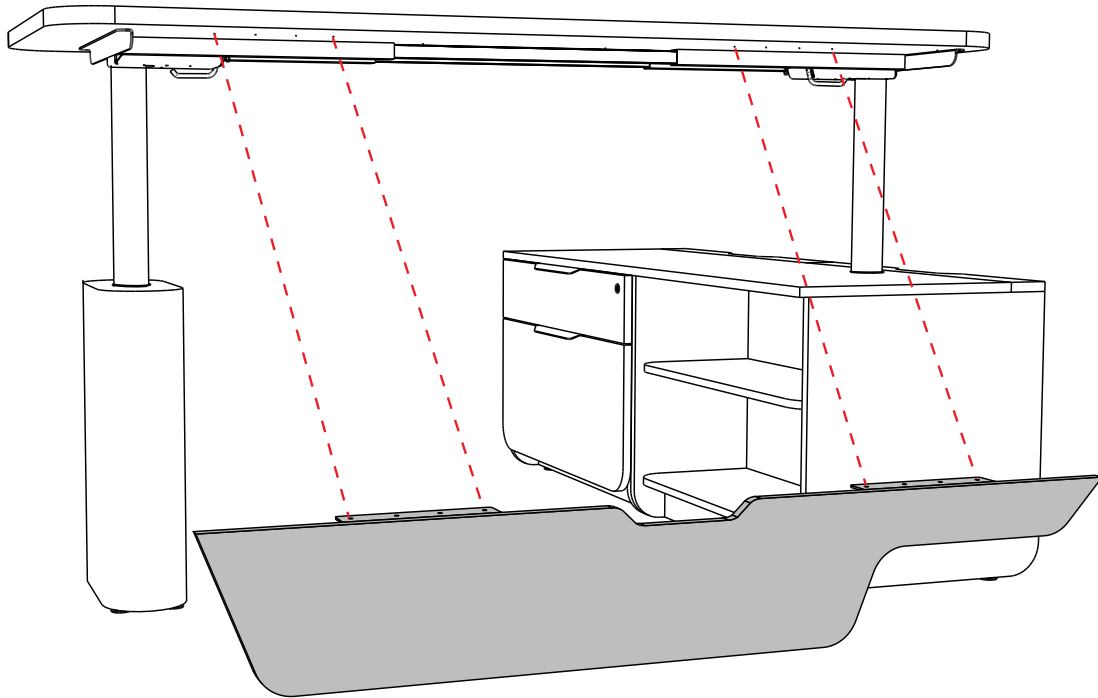
To attach the height adjustable leg column to the credenza, it should be laid on its back on a protected surface, which may require two people. Drawers should be locked or otherwise secured while moving the unit. Follow the same process as with the shroud to bolt the leg to the credenza.



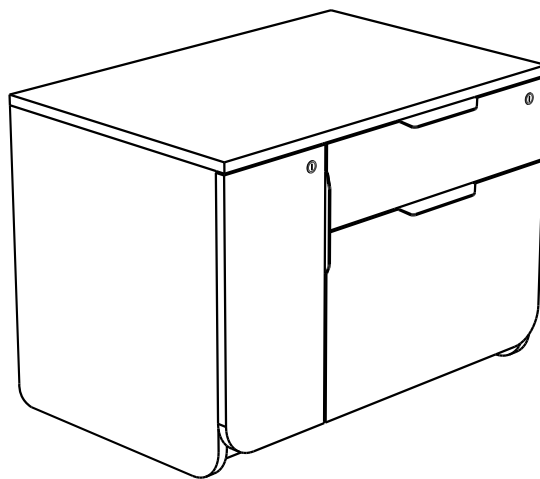
- 5 Place shroud and credenza upright, facing each other, closer than needed for the final installation. Place the top and frame on top of the leg columns, and then slide the legs to the ends of the frame until they 'click' into place.



- ⑥ The optional modesty panel attaches using the L-brackets provided to the pre-drilled holes under the 'front' (non-user side) of the desktop. Modesty installation should be done last, with the top raised.

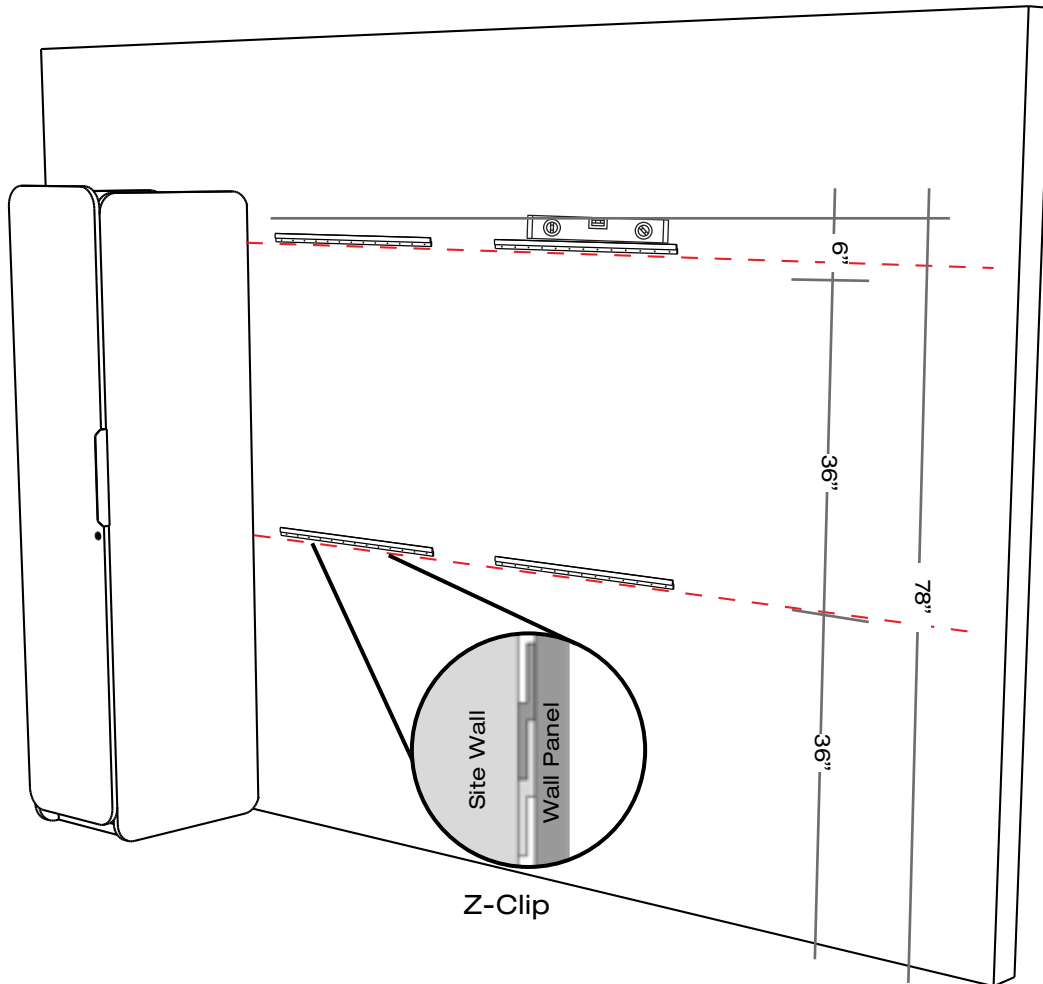


- ⑦ All Era storage furniture will always ship fully assembled.



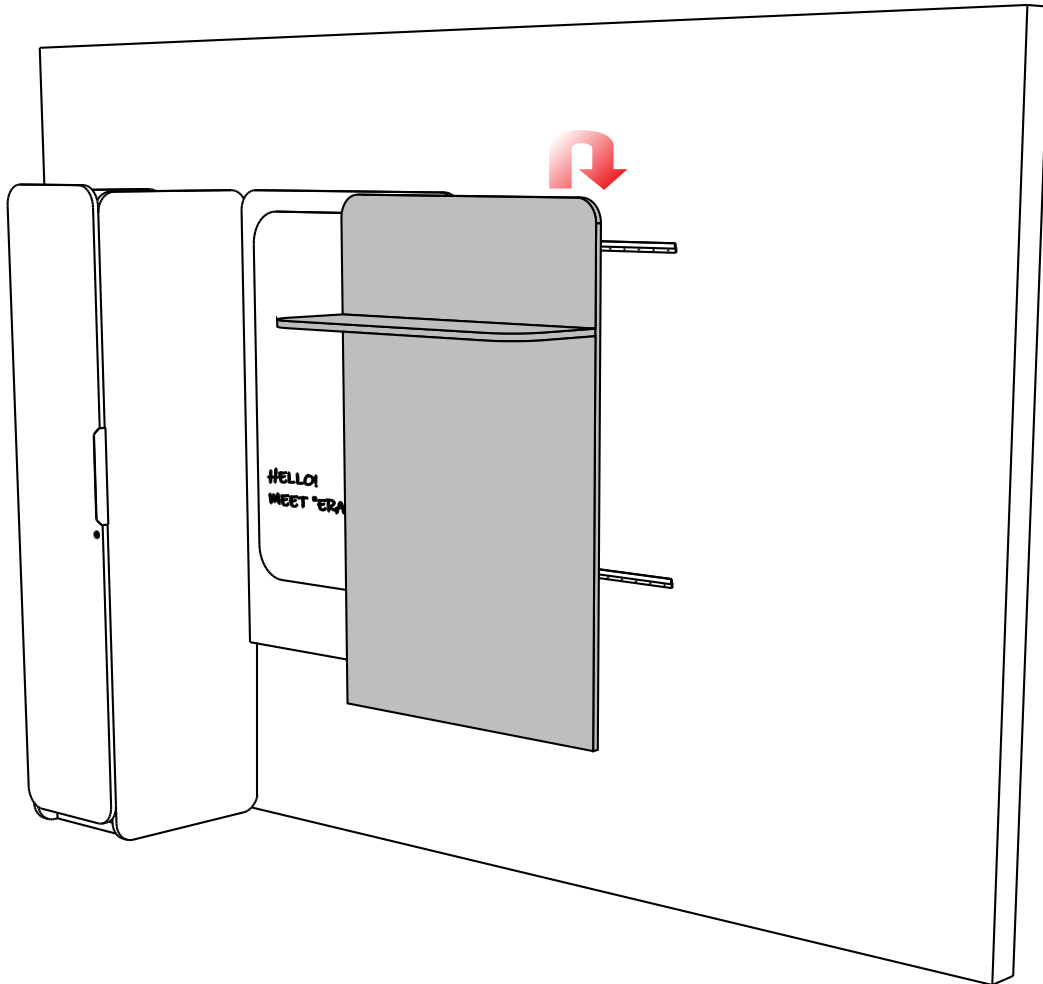
8

Era Wall Panels are meant to be hung at 78" - the same height as the tall storage cabinets. Each Wall Panel will come with two (2) sets of z-clips. Mount a section of z-clip on the wall as shown, centered on the width of the wall panel.



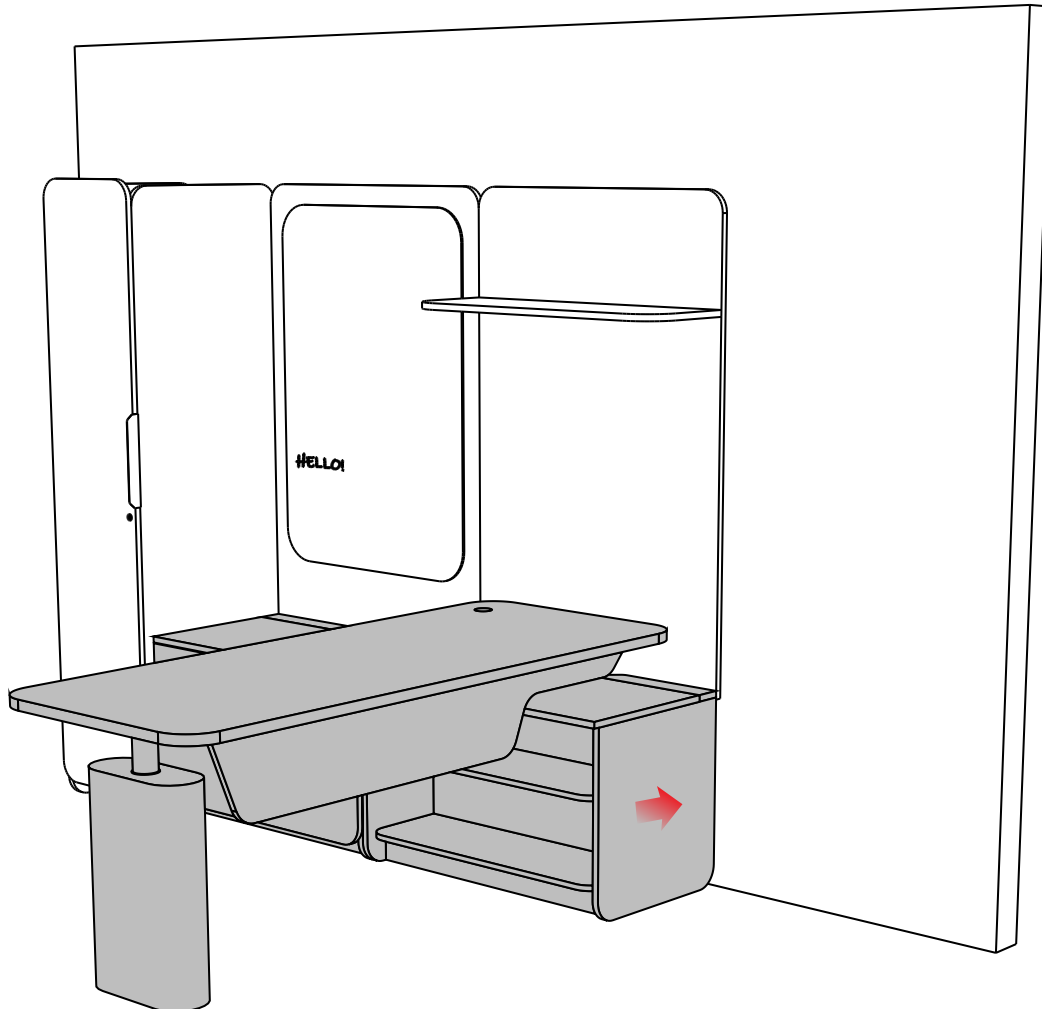
9

Lift the Wall Panel slightly higher than the z-clips, then slide it against the wall down onto the z-clip. Test the fit is secure.



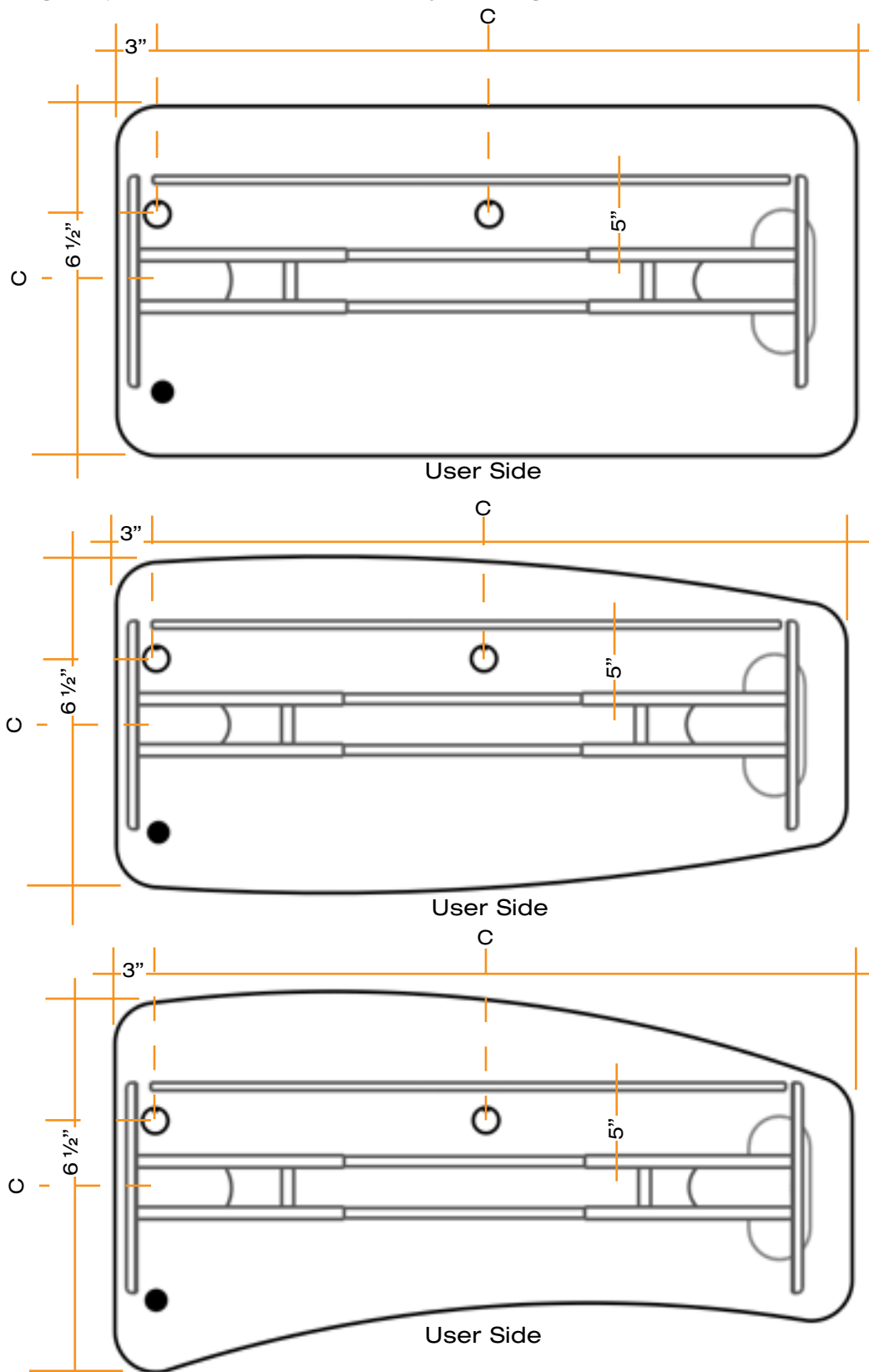
10

Place L-Desk unit against the bottom of the Wall Panels. The Low Storage Credenza and Wall Panel will overlap by about 1”.



## Grommet/Monitor Arm Placement Guide

If field-installing grommets or monitor arms that pierce the top, it is important to avoid conflict with the height adjustable mechanism or modesty. The diagrams below use the Left hand tops as an example.



## Height Adjustable Guide

The Era height adjustable is a tool-less quick-install base. Instructions will ship in the box. A video tutorial is available here: **Quick Install Base**. More troubleshooting information available at [deskmakers.com](http://deskmakers.com) or contact customer service at 323-264-2260

### Era Inset HA Base Controller



### Initializing:

- Check all cords to assure they are fully seated and secured with the built-in connector clip.
- Simultaneously, press and hold the ▲ UP and ▼ DOWN buttons. The legs will begin to descend at half-speed of normal operation. Do not release buttons.
- Continue holding both buttons. The legs will descend to the lowest position and then 'rebound' slightly. This rebound indicates that the base is initialized.
- Release the ▲ UP and ▼ DOWN buttons. Initialization is complete.

The first step to any trouble-shooting is always reinitializing the base.