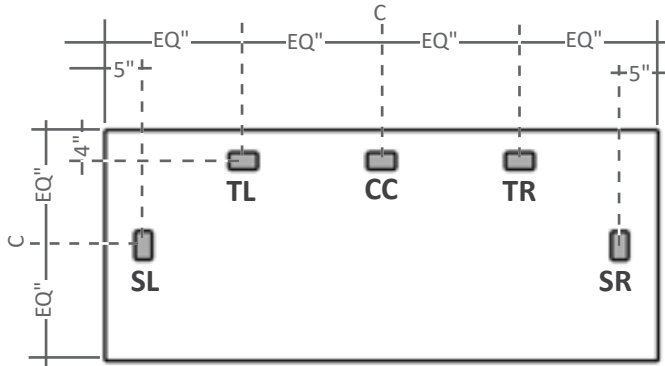


grommet guide

teamworx

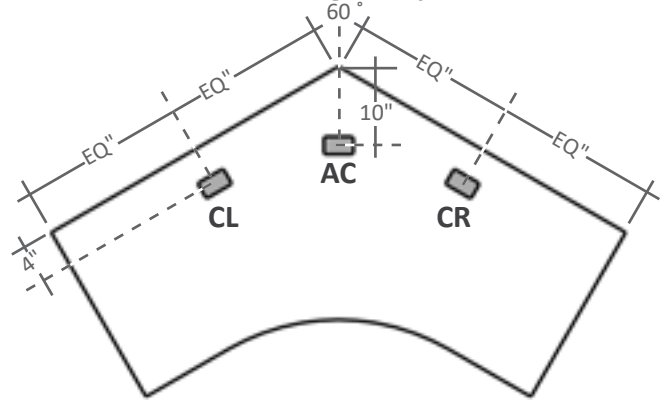
These grommet locations also apply to any worktop supported by metal legs, like training tables or Synapse.

Rectangular Tops

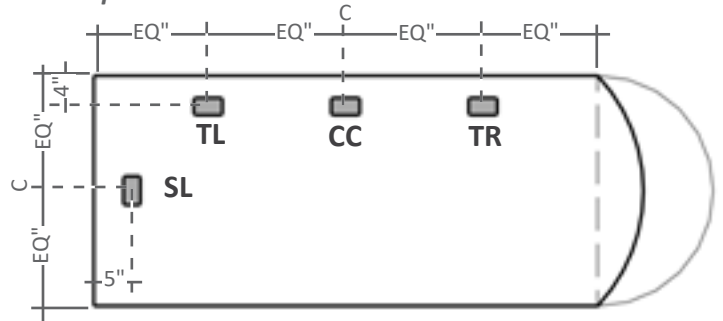
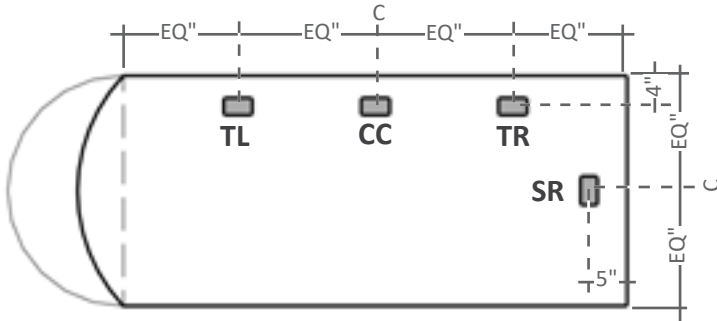


Very small tops - less than 36" wide, may not be able to accommodate all grommet locations

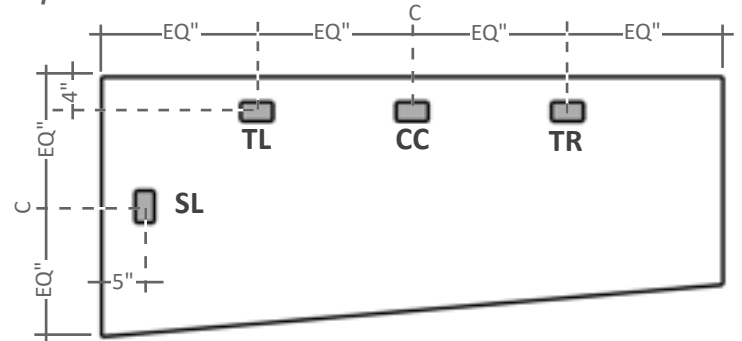
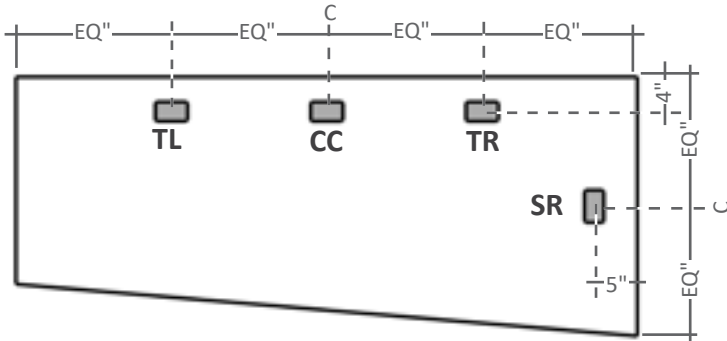
120 Degree Tops



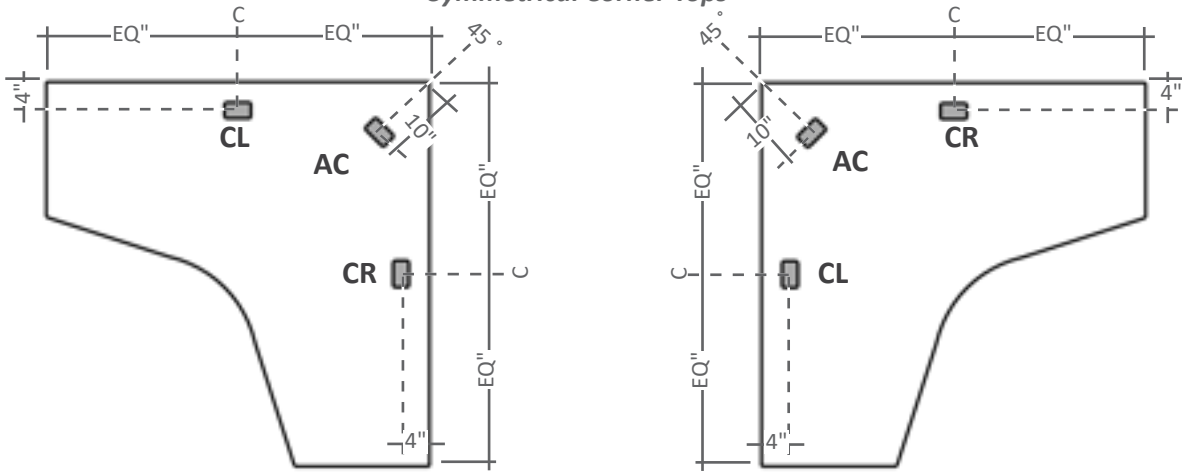
Bullet & Bow-End Tops



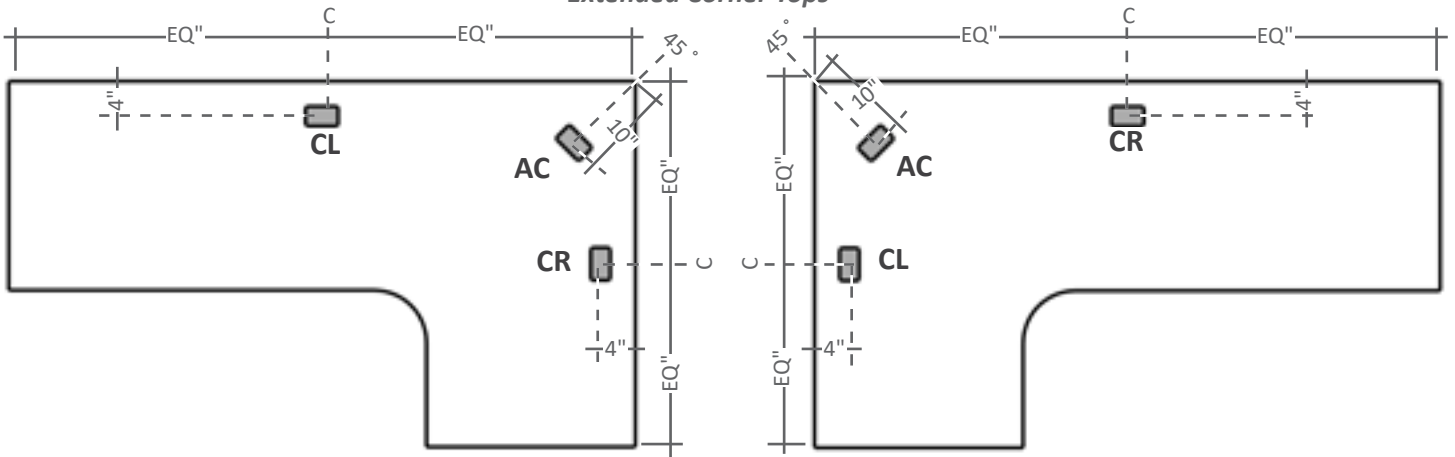
Wedge Tops



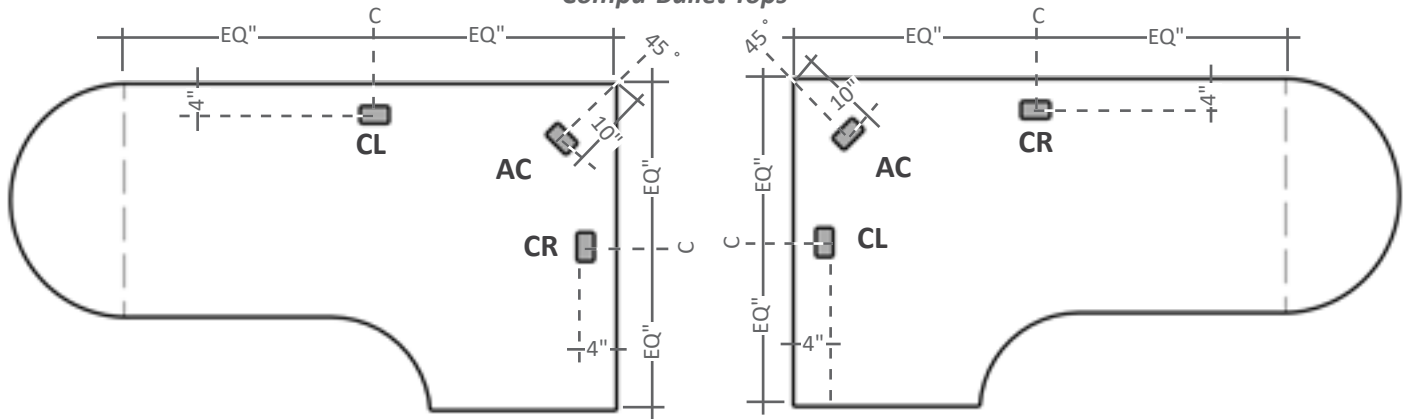
Symmetrical Corner Tops



Extended Corner Tops

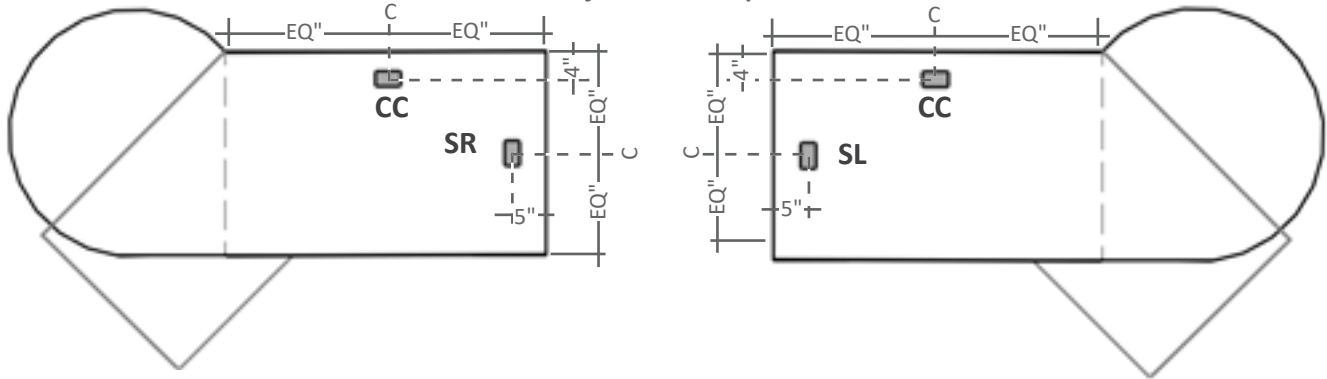


Compu-Bullet Tops

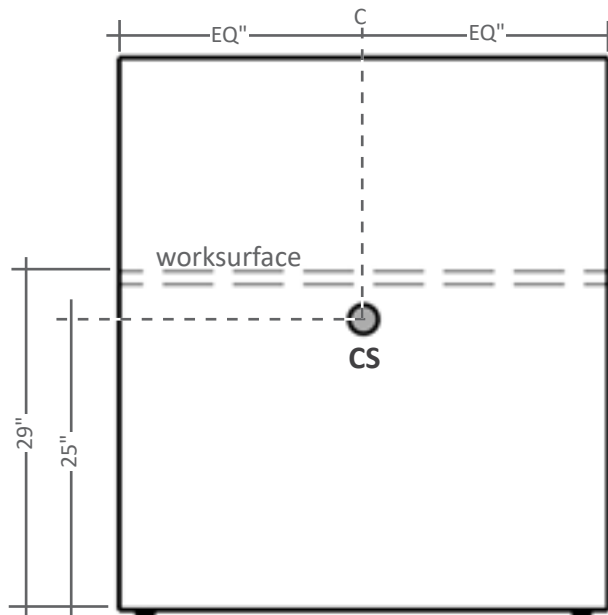


teamworx grommet guide

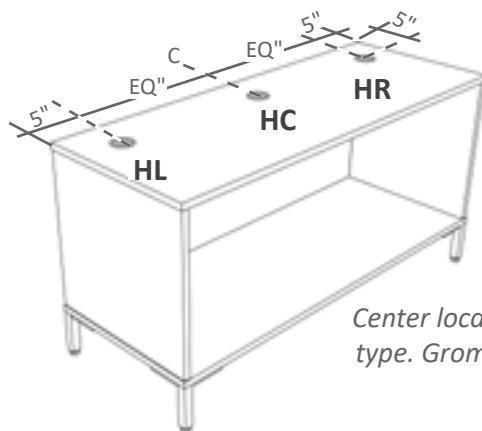
California & P-Tops



Spine Walls



Cargo Hubs



Center location may not be available on all units depending on storage type. Grommet over storage drawers may conflict with storage usage.