



hover

PRICE & SPECIFICATION GUIDE

Version: 12.01.24
prices effective February 1, 2025

The logo for DeskMakers, featuring the word "DeskMakers" in a sans-serif font with a horizontal orange line above the "M".

revisions

10/24/19	Updated layout and finishes
12/08/20	Updated base finish options
01/01/21	Updated pricing and finishes
04/09/21	Updated pricing on 2 leg G bases
09/01/21	Updated finishes
11/19/21	Added Hover Boost and Reach Bases
12/20/21	Updated pricing and finishes
03/31/22	Updated select pricing and skus
04/11/22	Corrected ML-2LEG-EXKT pricing
08/18/22	Added surcharge note
12/01/22	Updated pricing
02/16/23	Corrected Skus for 90 Degree Symmetrical Worksurfaces
04/27/23	Updated Lift Base pricing
10/18/23	Updated finishes
03/24/24	Updated pricing
08/30/24	Updated finishes and pulls
12/01/24	Updated pricing

table of contents

Laminates	4-5
Height Adjustable Base Finishes	6
Pulls	7
Product Details	8-33
Height Adjustable Bases	8-11
Worksurfaces	12
Troughs	13-15
Platform Troughs	16-17
Raised Panel Troughs	18-19
Partition Troughs	20-21
Privacy Options	22-25
Storage Options	26-27
Personal Storage Towers	28-29
Electrical	30-33
Worksurfaces	34-37
Laminate Combination Panels	37
Height Adjustable Bases	38-42
Platform Troughs	43-44
Raised Panel Troughs	45-46
Partition Troughs	47-54
120 Troughs	55-60
Single Sided Troughs	61-70
End Panels	71-78
Divider Panels	79-82
Extension Panels	83-84
Personal Storage Towers	85
Accessories	86
Terms and Conditions	87
Warranty	88

laminates finishes

thermofuse laminate (TFL)

Pricing shown in this price list applies only to TFL finishes currently included in the DeskMakers finish collection. For the most accurate finish list please see deskmakers.com.

high pressure laminate (HPL)

Pricing shown in this price list applies only to non-premium HPLs as follows:

- Wilsonart: Solids, Woodgrains, and Abstracts in Matte (-60) finish,
- Formica: Color Portfolio, Woodgrains, and Patterns in Matte (-58) finish
- Pionite: Solids, Woodgrains, and Abstracts in Suede (N) finish
- Arborite: Solids, Woodgrains, Textures and Abstracts in Matte (CA) finish
- Nevamar: Solids, Woodgrains, Stones and Abstracts in ARP (-T) finish

A minimum charge of \$546 net per HPL color will be applied to each order.

Call customer service for pricing for all other HPLs.

Additional lead times required for HPL orders depending on material availability and order complexity.

high pressure laminate (HPL) pricing chart

Most DeskMakers product is made of Thermofuse laminate (TFL). As such, there is an upcharge for ordering product in high pressure laminate (HPL). This upcharge varies based on the product and the size of the HPL order.

Please note that only the portion of the order in HPL will be calculated to determine the level of HPL upcharges.

HPL is always available with DeskMakers standard 2MM edgebanding. Special order matching PVC 2MM edgebanding may be available for orders \$25,000 List or larger, call customer service for pricing.

Product Category	Option Code	HPL UPCHARGE
WORKSURFACES All Shapes <i>Top surface HPL</i>	OP-HPL1-25-??	60%
CASEGOODS Top HPL only, balance TFL	OP-HPL1-1-??	25%
CASEGOODS Entire Unit HPL	OP-HPL1-4-??	120%
CASEGOODS HPL Drawer Fronts only	OP-HPL1-2-??	20%
CASEGOODS Top HPL and HPL Drawer Fronts	OP-HPL1-3-??	30%

pulls & hardware

standard pulls

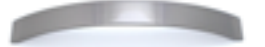
Pulls are included on all drawers and cabinet doors for no upcharge.



101SN



101BL



105SN*



103SN



103SN



107SN*



115SN



115BL



201SN



125SN*



125BL*



201BL

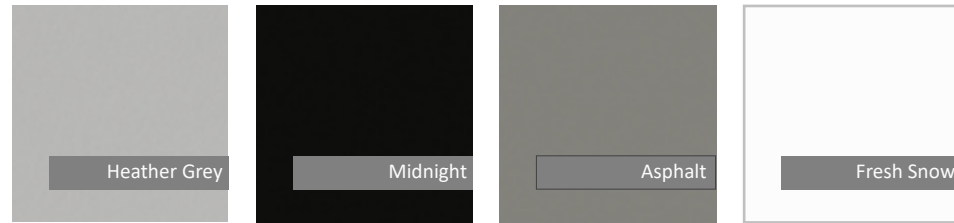
*The 125SN/BL pull is 7.5" long. On lateral file drawers and larger cabinet doors a longer 12.5" pull in the same style will be used. This may be identified as a "127SN/BL" pull on your acknowledgment.

* 105 and 107 pulls are only available in the silver nickel 'SN' finish.

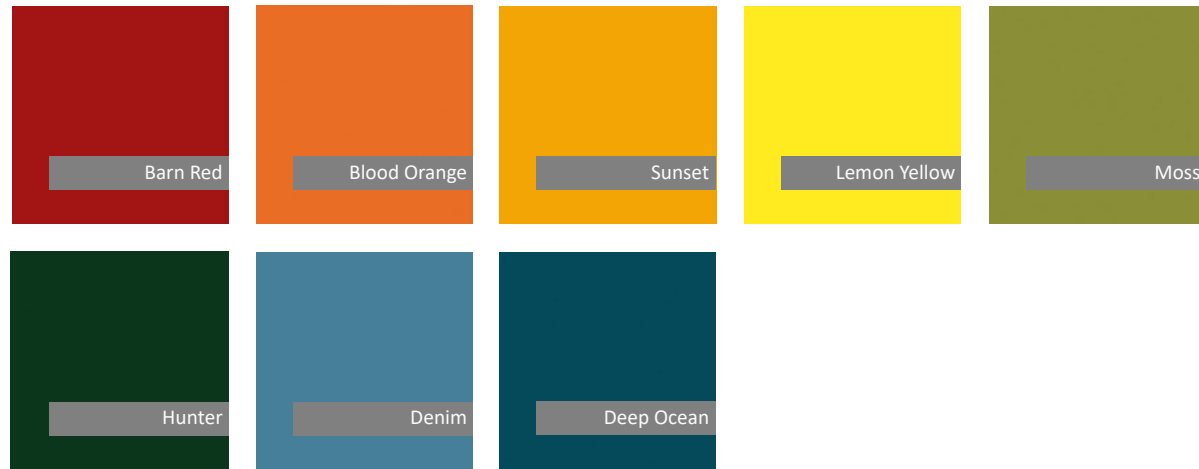
base finishes

Hover Lift Bases

standard

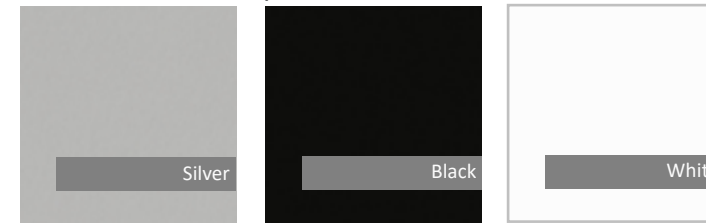


premium - 10% upcharge (OP-COLOR)



Hover Reach Bases

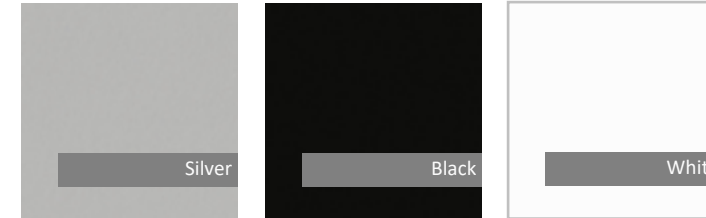
standard



premium - 10% upcharge (OP-COLOR)

Hover Boost Bases

standard



premium - 10% upcharge (OP-COLOR)

Hover Lift Height Adjustable Bases



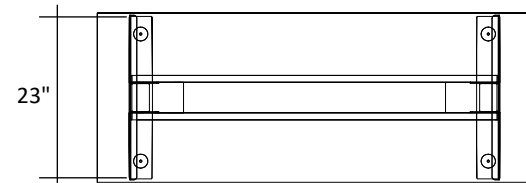
Features

Number of Legs	2 or 3
Height Range w/ Worksurface	27" - 46"
Number of Stages	2
Worksurface Lengths	48" - 84" in 6" increments
Worksurface Depths	24", 30" & 36"
Lifting Capacity	250 lbs (includes worksurface)
Adjustment Speed	1.5"/second
Cord Length	118" long
Finishes	4 standard, 8 at upcharge
Frame	Size Specific
Column Shape	Rectangle
Safety	Anti-Collision Option

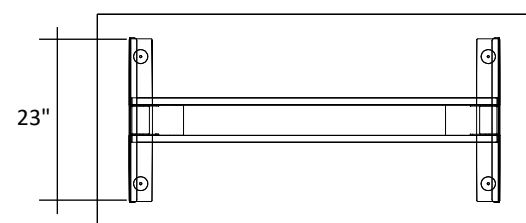
Foot Length

A 60" long worksurface is shown in examples below. The base will 9" shorter that the top, with a 4 1/2" inset on each side when centered.

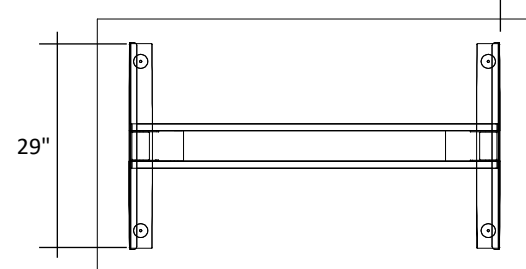
24" Deep Worksurface



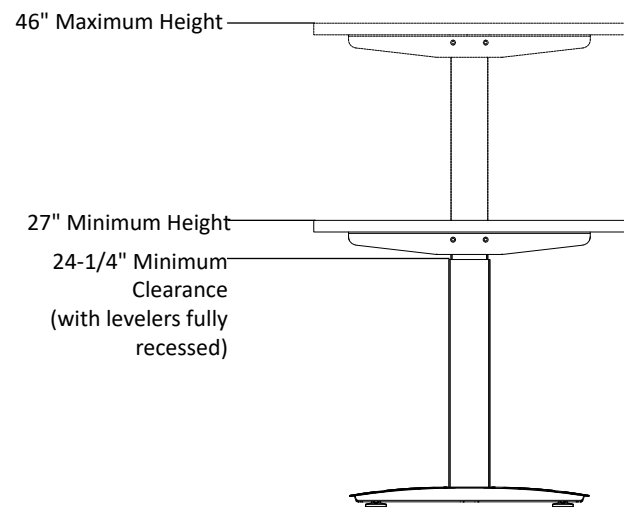
30" Deep Worksurface



36" Deep Worksurface



* 29" foot may also be specified for 30" worksurfaces.



Standard Up/Down Control



- Standard on Hover Lift bases
- Simple Up/Down function
- After 2 minutes defaults control box to standby mode

Programmable Digital Control



- Add-on option for Hover Lift bases : AC-CNTL-DIGI for \$261
- Save 4 different positions
- LCD display
- Set in centimeters or inches
- After 2 minutes defaults control box to standby mode

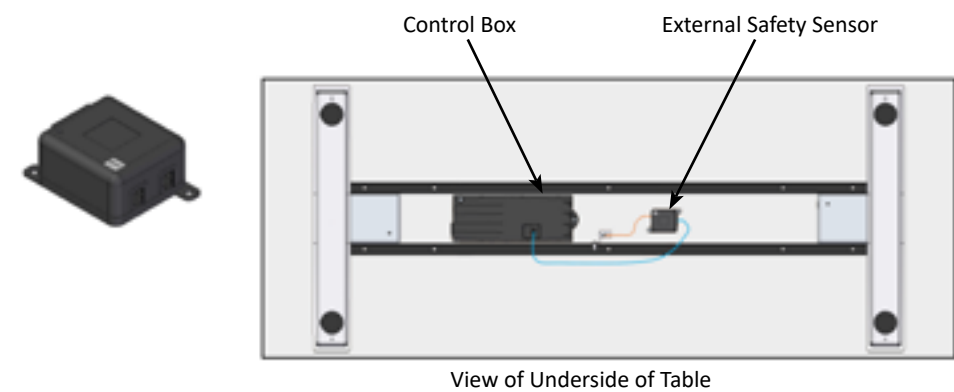
Locking Casters

The Hover Lift height adjustable bases are available with optional locking casters. Casters increase the overall table height by 2".



External Safety Sensor

An External Safety Sensor is able to detect even the smallest deformation. When a collision or restriction of movement is detected, the External Safety Sensor triggers the motors to move in the opposite direction to release the pinched obstacle. The External Safety Sensor can be added to the Hover Lift bases after installation. AC-DRBK-OMT for \$349.



All Hover electric height adjustable bases are equipped with Intelligent System Protection (ISP). ISP is used to protect base motors, control boxes and internal components from damage resulting from collision or restriction of movement. The ISP is not intended for protection of the end user, and is less sensitive than the External Safety Sensor.

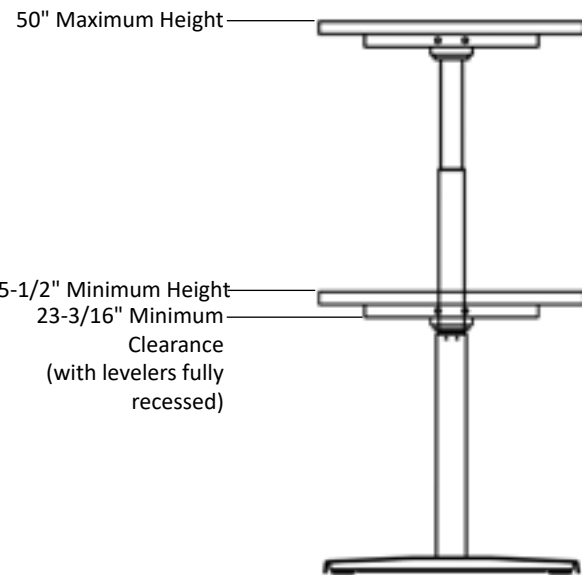
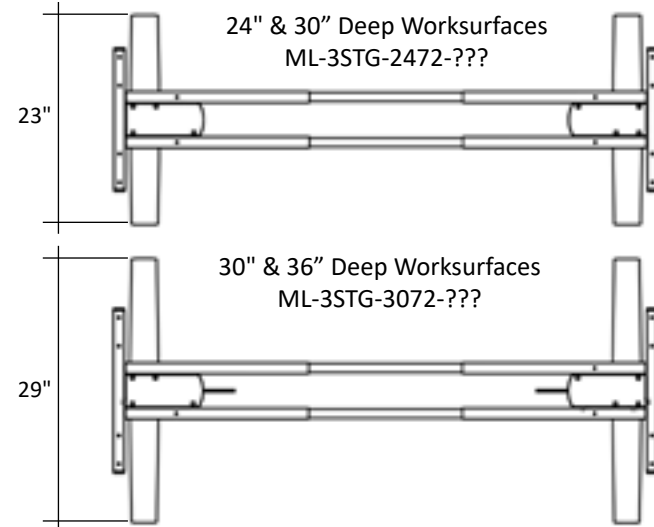
Hover Reach Height Adjustable Bases



Features

Number of Legs	2 or 3
Height Range w/ Worksurface	22.75" - 49"
Number of Stages	3
Worksurface Lengths	42" - 72" (Up to 84" w/ ext. kit)
Worksurface Depths	24", 30" & 36"
Lifting Capacity	220 lbs (includes worksurface)
Adjustment Speed	1.4"/second
Cord Length	72" long
Finishes	Silver
Frame	Adjustable
Column Shape	Rectangle
Safety	Anti-Collision Built-in

Foot Length



Quick Install Legs

- Ships in 1 box
- No tools required for assembly.

Programmable Digital Control

- Save 3 different positions
- LCD display
- Set in centimeters or inches
- Power standby mode
- Standard with Hover Reach

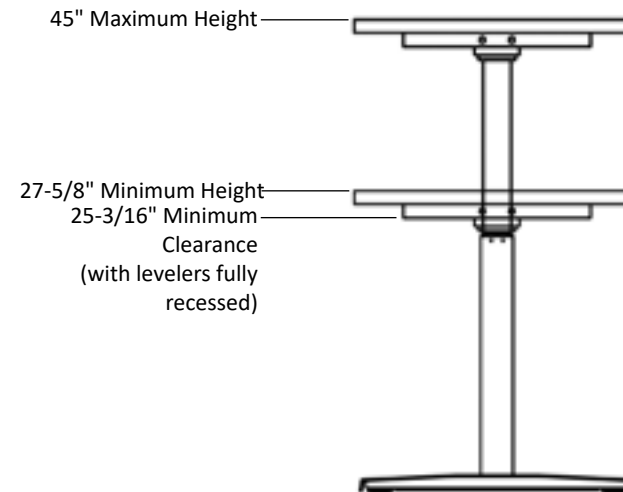
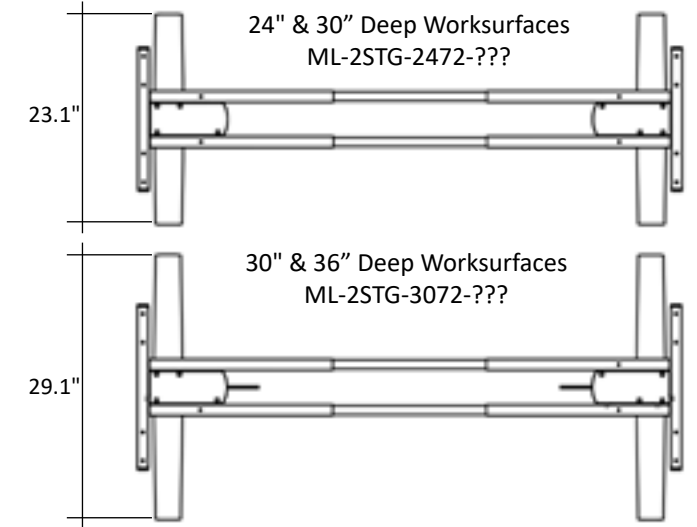
Hover Boost Height Adjustable Bases



Features

Number of Legs	2
Height Range w/ Worksurface	27.75" - 47.4"
Number of Stages	2
Worksurface Lengths	42" - 72" (Up to 84" w/ ext. kit)
Worksurface Depths	24", 30" & 36"
Lifting Capacity	200 lbs (includes worksurface)
Adjustment Speed	1.42"/second
Cord Length	72" long
Finishes	Black, White, Silver
Frame	Adjustable
Column Shape	Rectangle
Safety	Anti-Collision Built-in

Foot Length



Quick Install Legs

- Ships in 1 box
- No tools required for assembly.

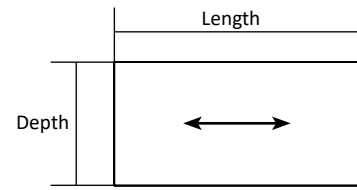
Programmable Digital Control

- Save 3 different positions
- LCD display
- Set in centimeters or inches
- Power standby mode
- Standard with Hover Boost

Worksurfaces

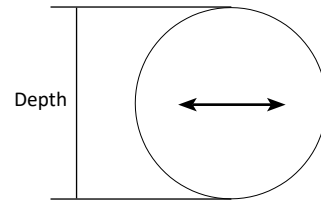
Hover worksurfaces are 1-1/8" thick with 45 pound industrial grade particle board core and are available in rectangular, round, 120 degree and 90 degree shapes. Worksurfaces are available in either TFL with 2MM PVC edge, HPL with 2MM PVC edge or HPL with self edge.

Rectangular



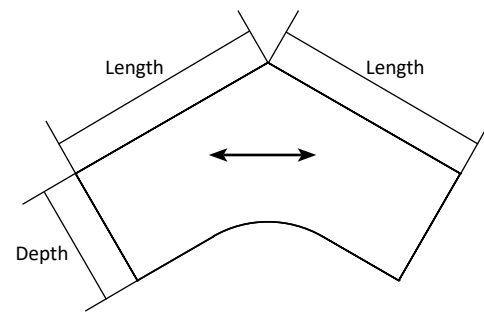
- Depths include 24", 30" and 36".
- Lengths include 48" to 84" in 6" increments.
- All dimensions are actual.

Round



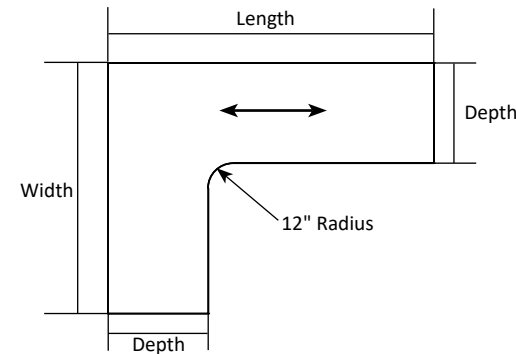
- Depths include 30", 36" and 42".
- All dimensions are actual.

120 Degree



- Depths include 24" and 30".
- Lengths include 42", 48" and 54".
- All dimensions are actual.

90 Degree



- Depths include 24"/24" and 30"/24".
- Lengths include 66", 72" and 78".
- Widths include 42", 48", 54" and 60".
- All dimensions are actual.

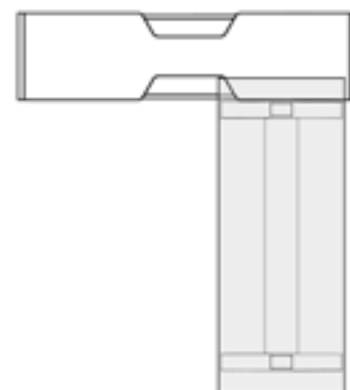
Worksurface Orientation

Hover worksurfaces can be placed either parallel or perpendicular to the trough unit in benching set-ups.
Note: Access to the interior of the troughs may be impeded by the placement of the height adjustable bases.

Parallel



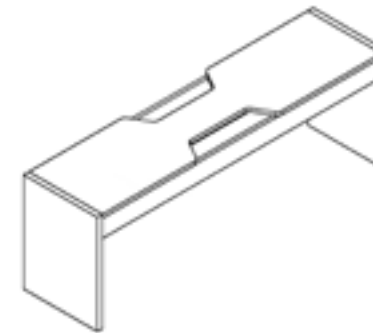
Perpendicular



Hover Troughs

Hover offers three different trough types to provide varying levels of privacy and space division. Hover Troughs provide structure to route and conceal power, data and voice from floor core or wall locations to multiple workstations.

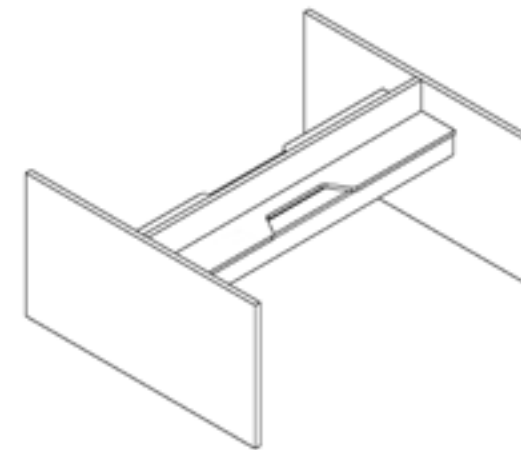
Platform Troughs



- Low profile, 23" high.
- Area under trough is open.
- Can be used with or without privacy panels.
- Privacy panels can be mounted directly to trough tops or worksurfaces.
- Available with trough height or desk height end panels.

- Available as:
- Benching configurations
 - 120 degree configurations

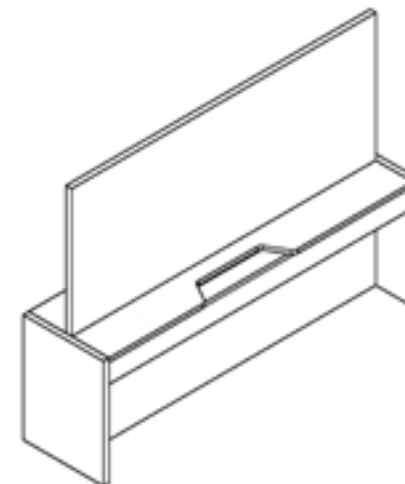
Raised Panel Troughs



- Center panel extends above the trough top 6", increasing height to 29" high.
- Area under trough is open.
- Can be used with or without privacy panels.
- Privacy panels can be mounted directly to raised center panel.
- Available only with desk height end panels.
- Divider panels and Extension wall panels can be added.

- Available as:
- Benching configurations
 - 120 degree configurations
 - Single Sided configurations

Partition Troughs

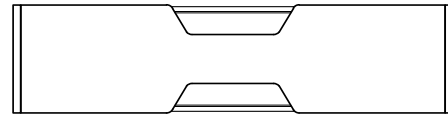


- Center panel extends through the trough top. Center panel heights: 29", 36", 42" & 48" high.
- Center panel extends below the trough to the floor.
- Can be used with or without privacy panels.
- Privacy panels can be mounted directly to raised center panel.
- Panel mounted tackboards and whiteboard surfaces can be applied to the center panel for increased function.
- Available with trough height, desk height or center panel height end panels.
- Divider panels and Extension wall panels can be added.

- Available as:
- Benching configurations
 - 120 degree configurations
 - Single Sided configurations

Trough Cutout Locations

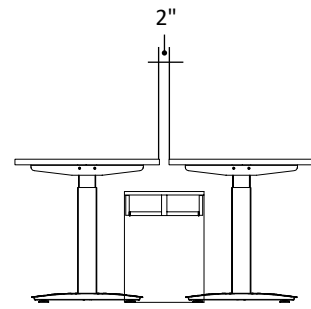
Wire access cutouts in the top of the trough are located in the center for ease of specification.



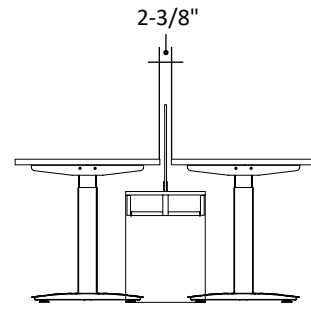
Worksurface Clearance with Privacy

Hover worksurfaces must maintain minimum clearances between worksurface edges and privacy panels or wall panels to minimize possible pinch point hazards.

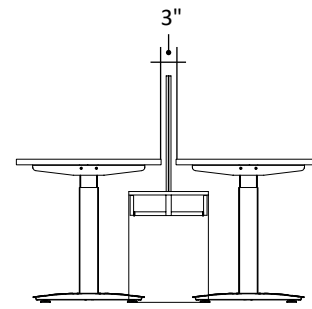
Platform Trough Clearances



No Privacy Panels

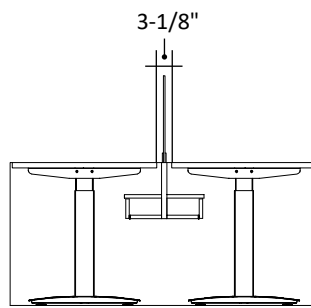


Glass/Acrylic Privacy Panels

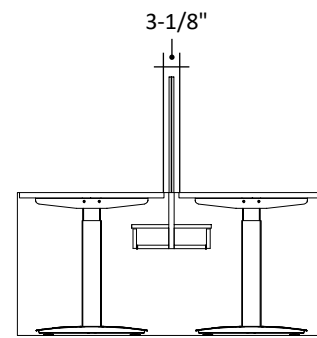


Double Sided Tackboard Privacy Panels

Raised Panel Trough Clearances

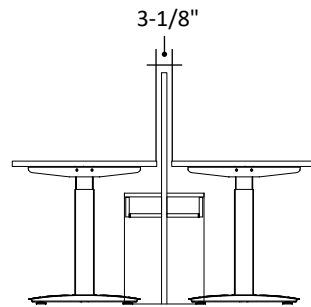


Glass/Acrylic Privacy Panels

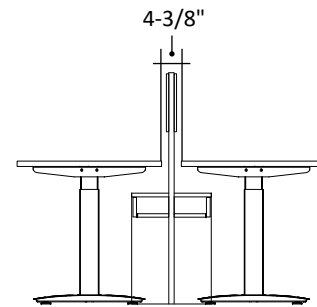


Double Sided Tackboard Privacy Panels

Privacy Trough Clearances



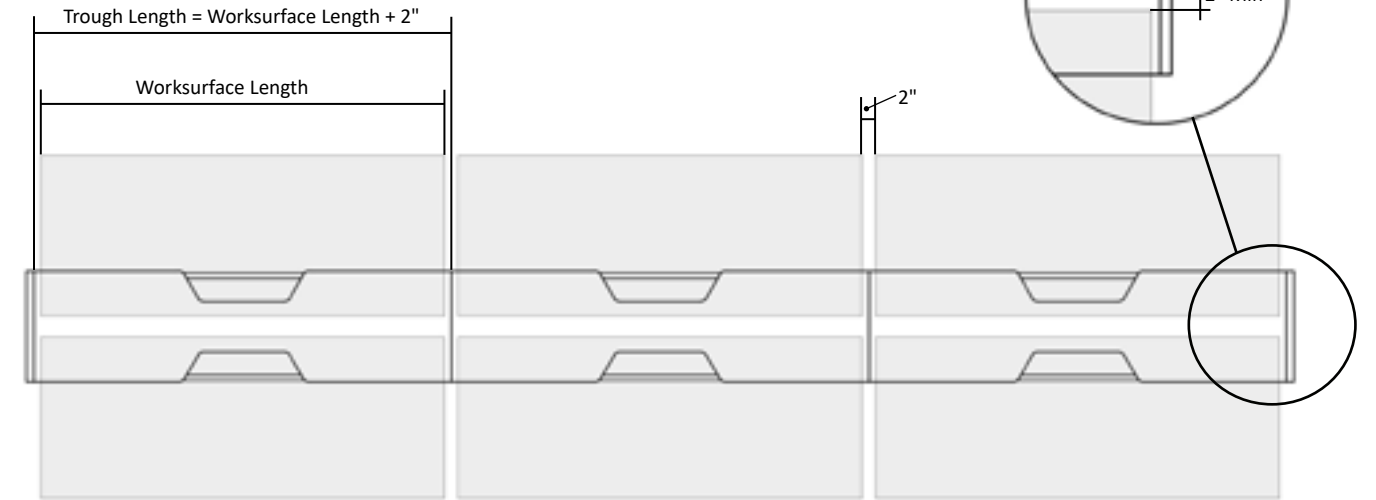
Center Panel Only



Panel Mounted Tackboards

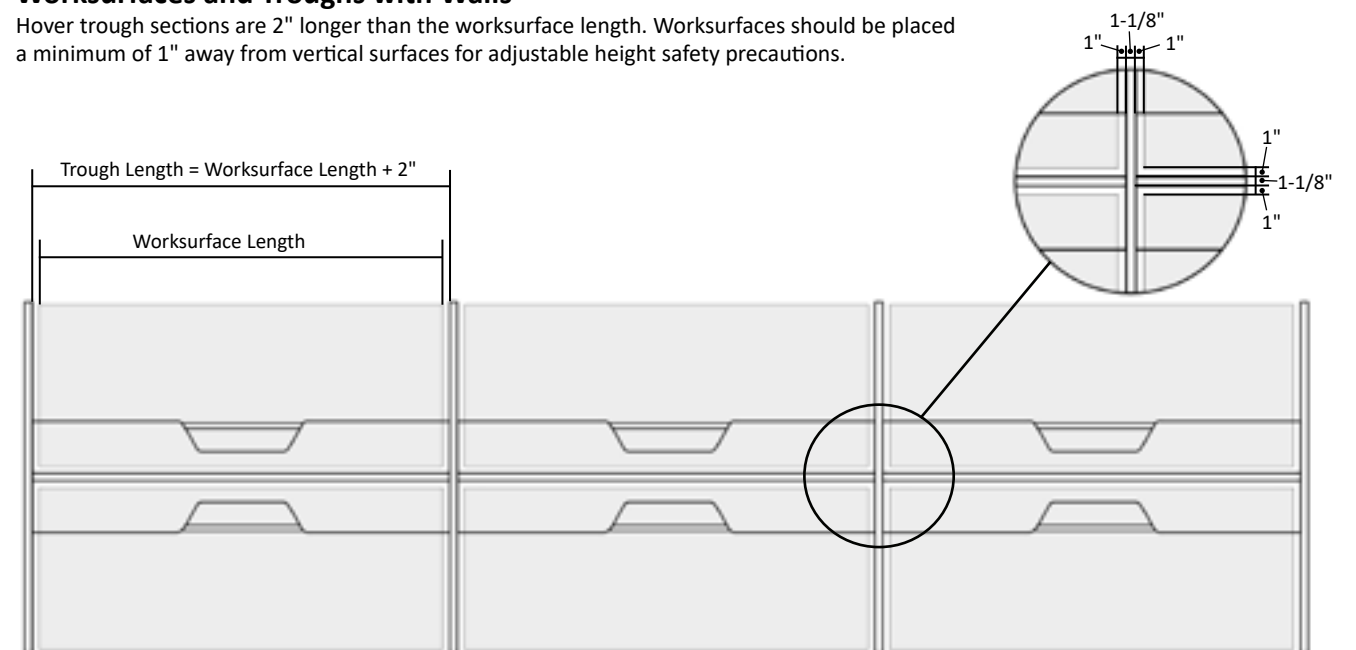
Worksurfaces and Troughs

Hover trough sections are 2" longer than the worksurface length. This allows for a 1" gap on either side of the worksurface for adjustable height safety precautions. This results in a 2" gap between side by side worksurfaces.



Worksurfaces and Troughs with Walls

Hover trough sections are 2" longer than the worksurface length. Worksurfaces should be placed a minimum of 1" away from vertical surfaces for adjustable height safety precautions.

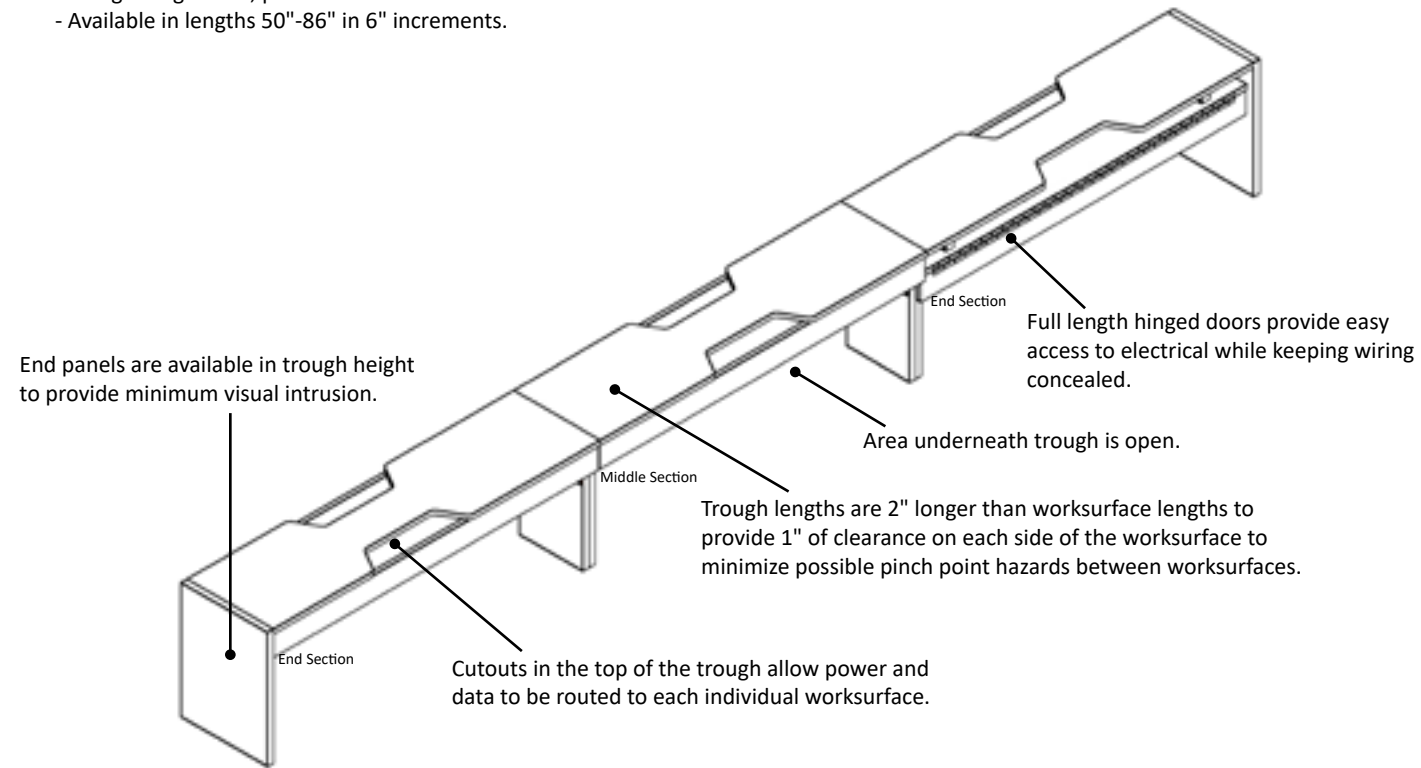


Understanding Hover Platform Troughs

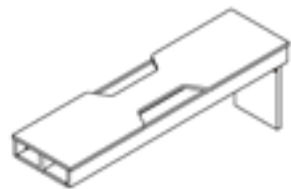
Hover Platform Troughs provide structure to route and conceal power, data and voice from floor core or wall locations to multiple workstations. Platform troughs allow privacy panels to be mounted directly to trough tops or worksurfaces.

General Specifications:

- Trough Width: 16-1/2".
- Trough Height: 23", plus levelers.
- Available in lengths 50"-86" in 6" increments.

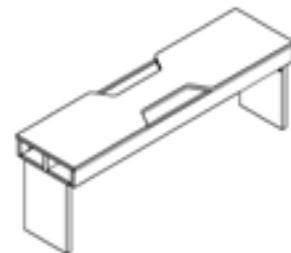


Platform Trough Sections



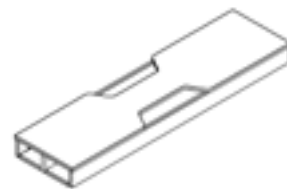
End Section

- Used at beginning and end of bench run.
- Must specify end panel.
- Includes intermediate leg support and supporting brackets.
- Trough sections 80" and 86" long include additional intermediate leg in center.



Middle Section

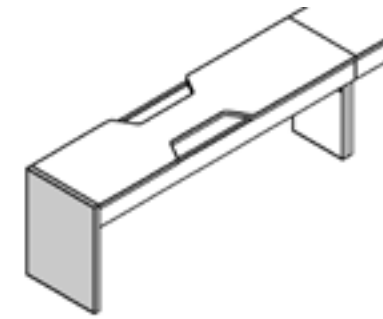
- Used only in the middle of a bench run.
- Middle sections must connect to an end section or another middle section.
- Includes two intermediate support legs and supporting brackets.
- Trough sections 80" and 86" long include additional intermediate leg in center.



Spanning Section

- Used to span between two end panels or divider panels.
- Includes trough section.
- End panels or divider panels must be specified for each spanning section.
- Trough sections 80" and 86" long include additional intermediate leg in center.

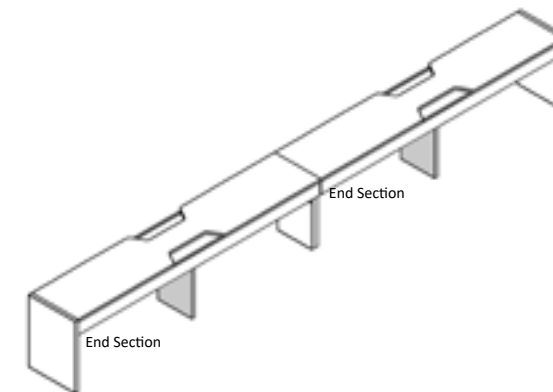
Platform Trough End Panel Option



Trough Height End Panels

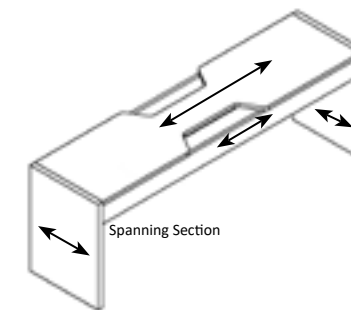
- End Panels are 1-1/8" thick material.
- End Panels increase the overall length of the setup by 1-1/8" per end panel.

Platform Trough Intermediate Leg



- 80" and 86" Troughs include an additional intermediate leg support mounted in the center of trough for additional structural support.

Platform Trough and End Panel Grain Direction

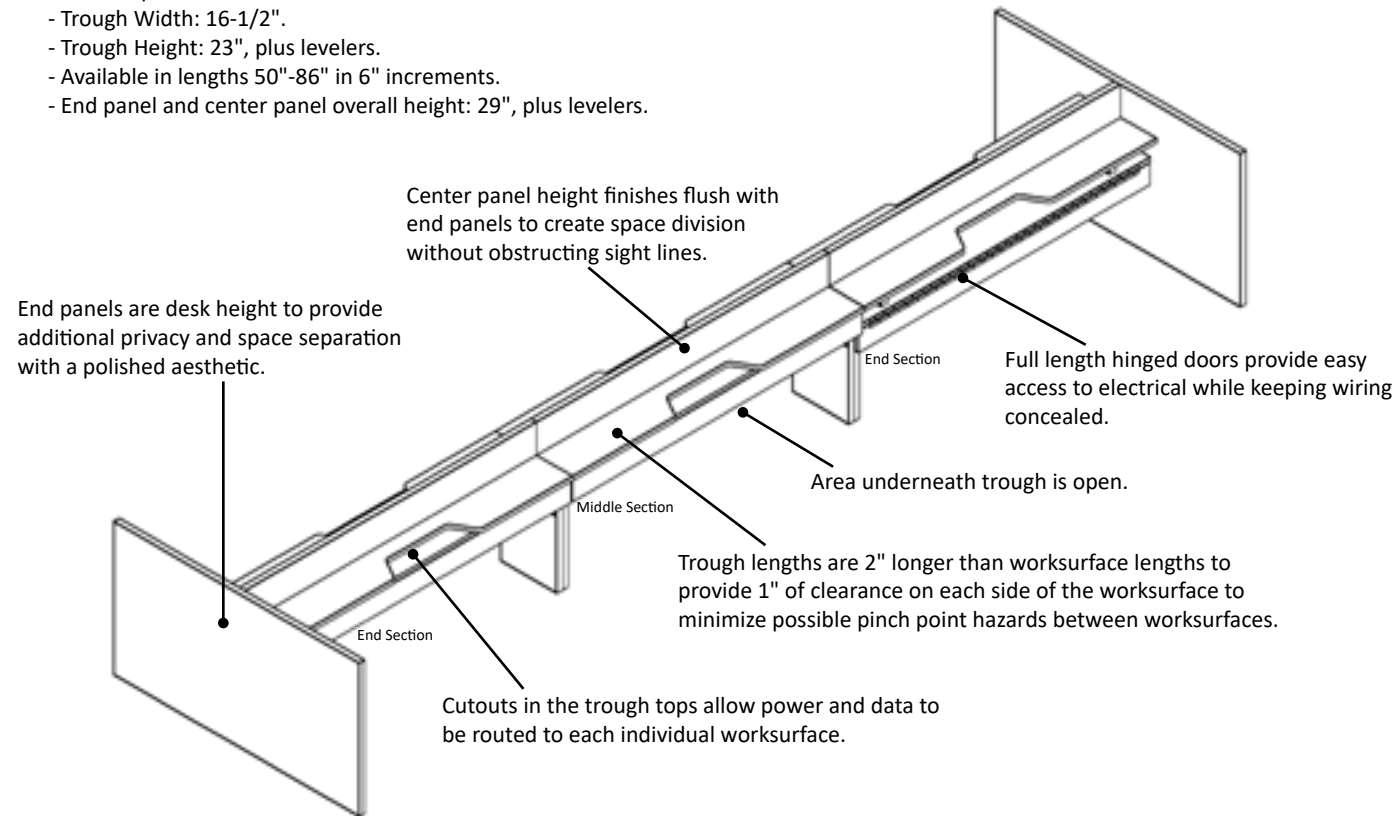


Understanding Hover Raised Panel Troughs

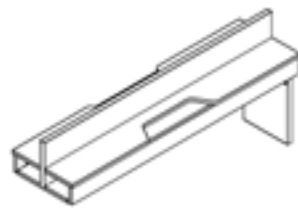
Hover Raised Panel Troughs provide structure to route and conceal power, data and voice from floor core or wall locations to multiple workstations. Raised Panel troughs allow privacy panels to be mounted directly to the raised center panel to increase overall height of privacy.

General Specifications:

- Trough Width: 16-1/2".
- Trough Height: 23", plus levelers.
- Available in lengths 50"-86" in 6" increments.
- End panel and center panel overall height: 29", plus levelers.

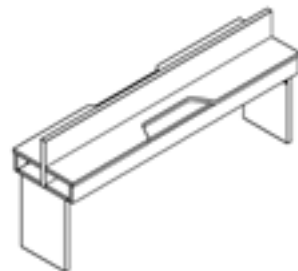


Raised Panel Trough Sections



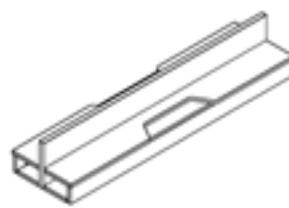
End Section

- Used at beginning and end of bench run.
- Must specify end panel.
- Includes intermediate leg support and supporting brackets.
- Trough sections 80" and 86" long include additional intermediate leg in center.



Middle Section

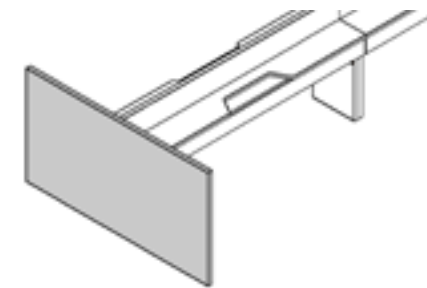
- Used only in the middle of a bench run.
- Middle sections must connect to an end section or another middle section.
- Includes two intermediate support legs and supporting brackets.
- Trough sections 80" and 86" long include additional intermediate leg in center.



Spanning Section

- Used to span between two end panels or divider panels.
- Includes trough section.
- End panels or divider panels must be specified for each spanning section.
- Trough sections 80" and 86" long include additional intermediate leg in center.

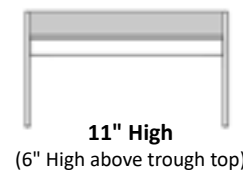
Raised Panel Trough End Panel Options



Desk Height End Panels

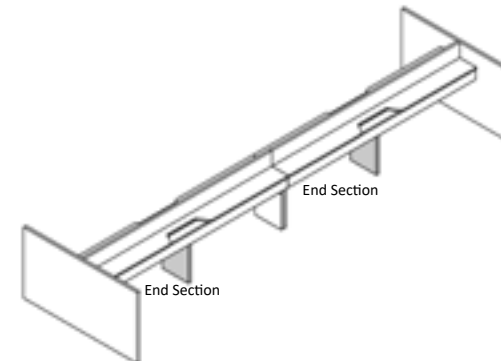
- End Panels are 1-1/8" thick material.
- End Panels increase the overall length of the setup increases by 1-1/8" per end panel.

Raised Panel Trough Center Panel Height



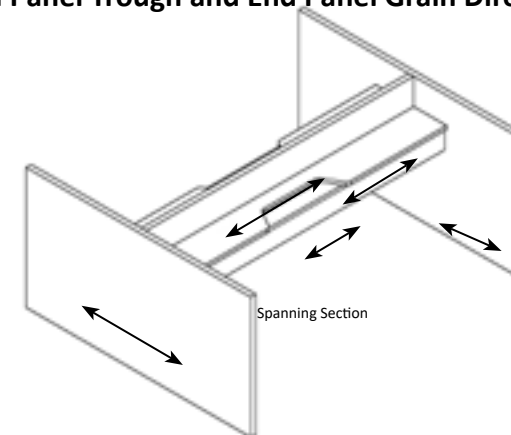
- Center panels are 1-1/8" thick material.
- Glass privacy panels or double sided tackboards can be added to the top edge of center panels for increased privacy.

Raised Panel Trough Intermediate Leg



- 80" and 86" Troughs include an additional intermediate leg support mounted in the center of trough for additional structural support.

Raised Panel Trough and End Panel Grain Direction

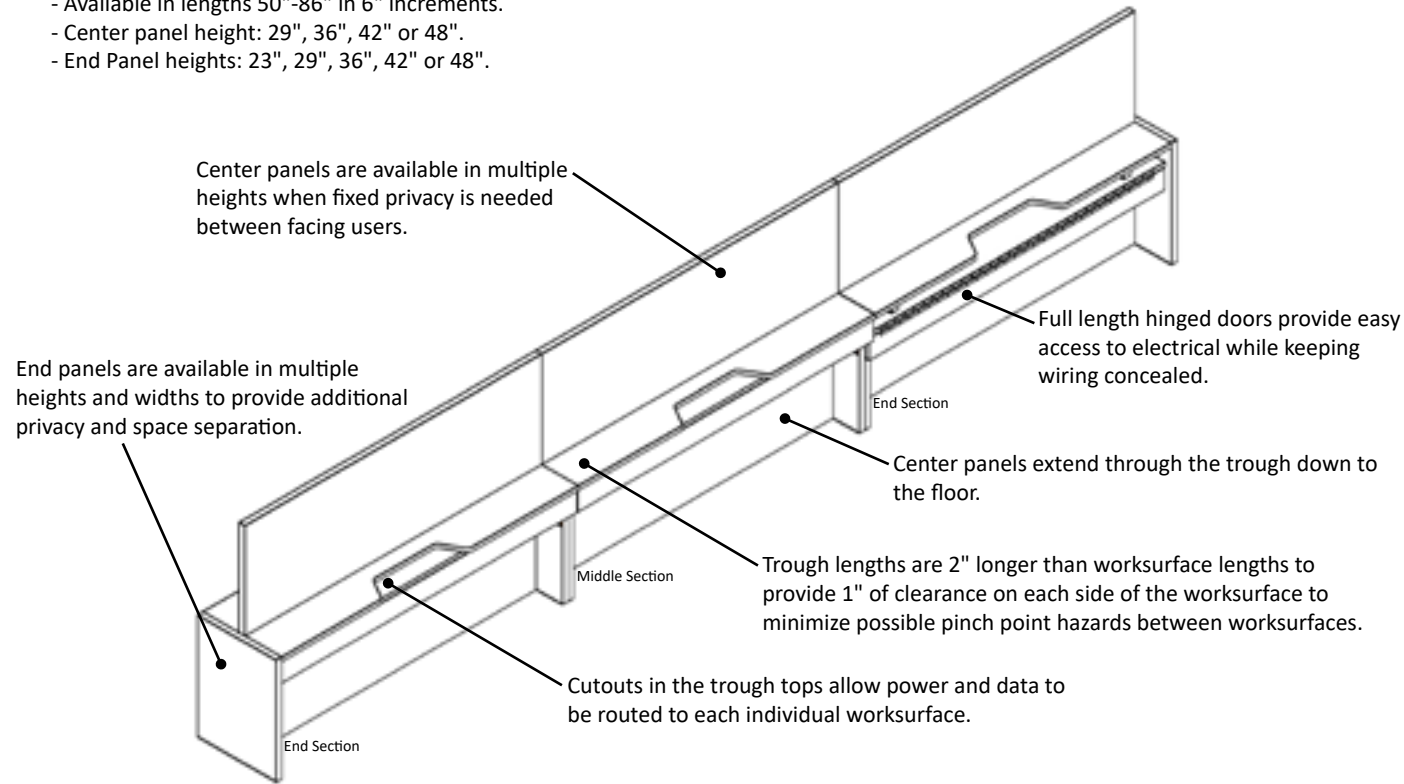


Understanding Hover Partition Troughs

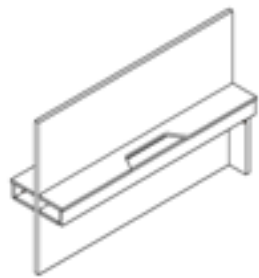
Hover Partition Troughs provide structure to route and conceal power, data and voice from floor core or wall locations to multiple workstations. Partition troughs allow privacy panels to be mounted directly to the raised center panel to increase overall height of privacy. Panel mounted tackboards and whiteboard surfaces can be applied to the center panel for increased functionality.

General Specifications:

- Trough Width: 16-1/2".
- Trough Height: 23", plus levelers.
- Available in lengths 50"-86" in 6" increments.
- Center panel height: 29", 36", 42" or 48".
- End Panel heights: 23", 29", 36", 42" or 48".

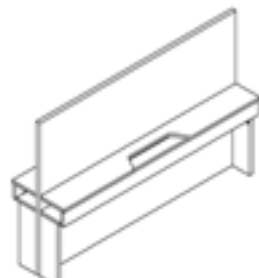


Partition Trough Sections



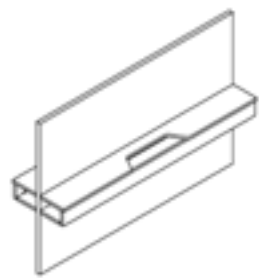
End Section

- Used at beginning and end of bench run.
- Must specify end panel.
- Includes intermediate leg support and supporting brackets.



Middle Section

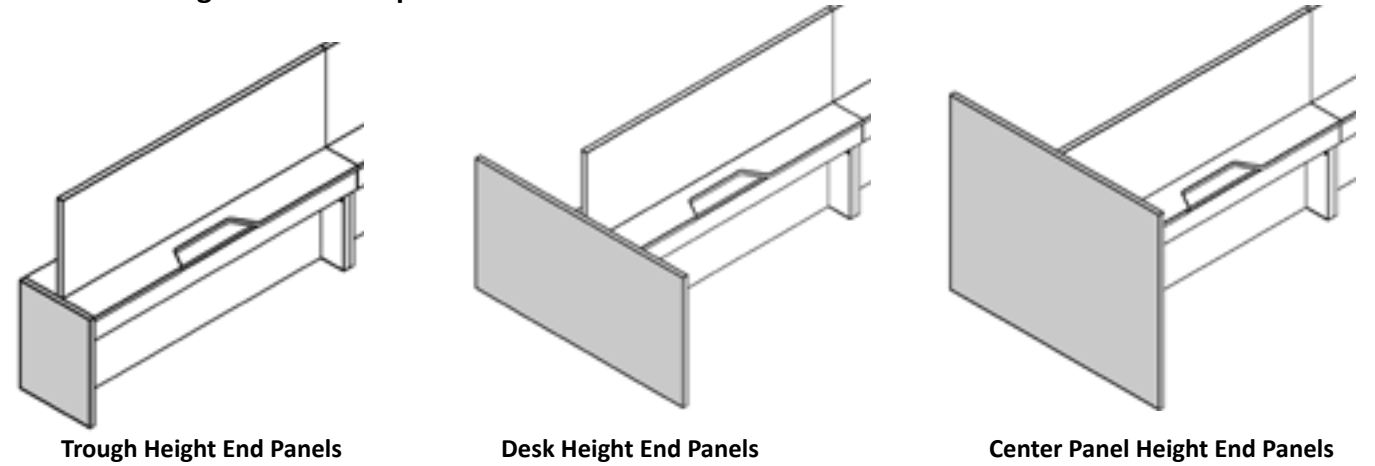
- Used only in the middle of a bench run.
- Middle sections must connect to an end section or another middle section.
- Includes two intermediate support legs and supporting brackets.



Spanning Section

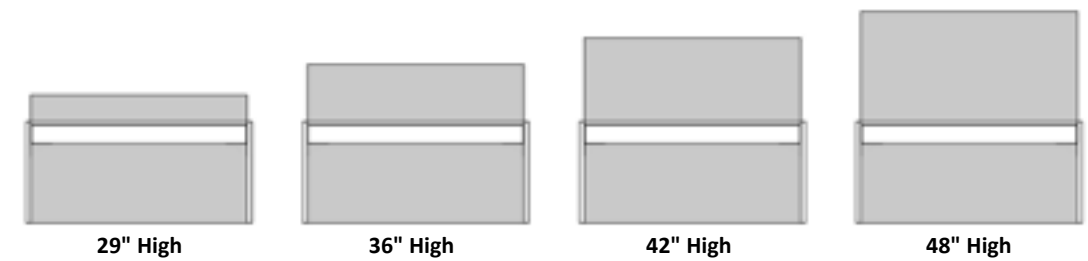
- Used to span between two end panels or divider panels.
- Includes trough section.
- End panels or divider panels must be specified for each spanning section.

Partition Trough End Panel Options



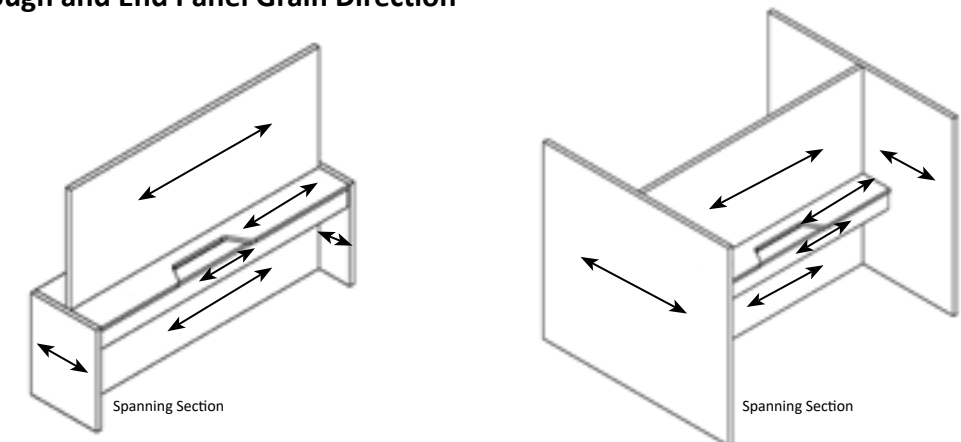
- End Panels are 1-1/8" thick material.
- End Panels increase the overall length of the setup increases by 1-1/8" per end panel.
- 36", 42" & 48" high end panels can only be used with Partition Troughs with the same height center panel or taller center panel.

Partition Trough Center Panel Heights



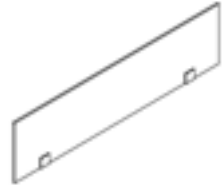
- Center panels are 1-1/8" thick material.
- Panel mounted tackboards can be affixed to center panels. Glass privacy panels or double sided tackboards can be added to the top edge of center panels for increased privacy.
- Whiteboard finish can be added to both sides of the center panels.

Partition Trough and End Panel Grain Direction



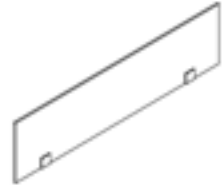
Hover Troughs with Privacy Options

A wide variety of privacy panels can be specified with Hover Troughs and height adjustable tables. Please see the Privacy Panel and Tackboard Pricebook for all sizes and pricing.



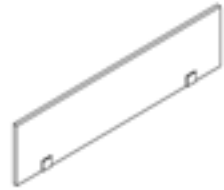
Glass

- 1/4" or 3/8" thick.
- 1/4" max height: 12".
- 3/8" max height: 18".
- Lengths: 18" - 86" in 2" increments.
- Mounted with metal panel clips.



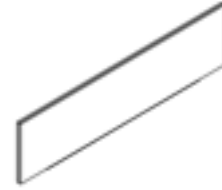
Acrylic

- 3/16" thick frosted.
- 1/4" thick colored.
- Max height: 12".
- Lengths: 18" - 86" in 2" increments.
- Mounted with metal panel clips.



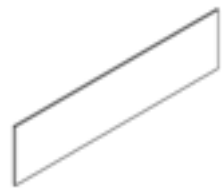
Laminate/Whiteboard

- 3/4" thick.
- Max height: 18".
- Lengths: 18" - 86" in 2" increments.
- Mounted with metal panel clips.



Double Sided Tackboard

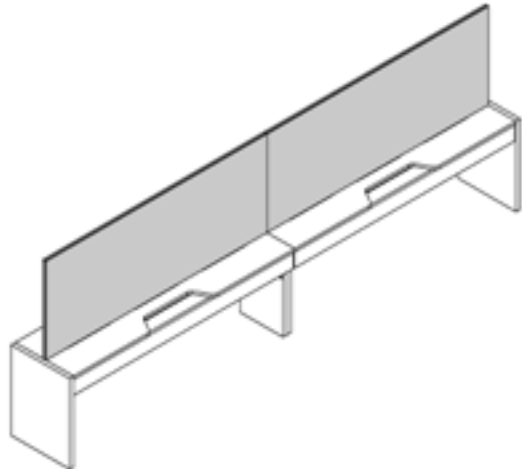
- 1" thick.
- Max height: 24".
- Lengths: 18" - 86" in 2" increments.
- Mounted with concealed metal supports.



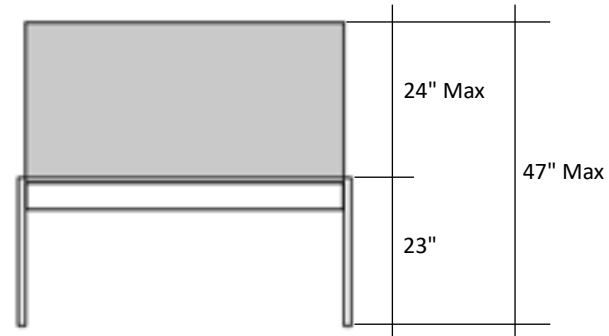
Panel Mounted Tackboard

- 1/2" thick.
- Max height: 22".
- Lengths: 18" - 86" in 2" increments.
- Mounted with metal Z-Clips.
- Cannot be used independently - must be mounted to a surface.

Add-On Privacy Options for Platform Troughs

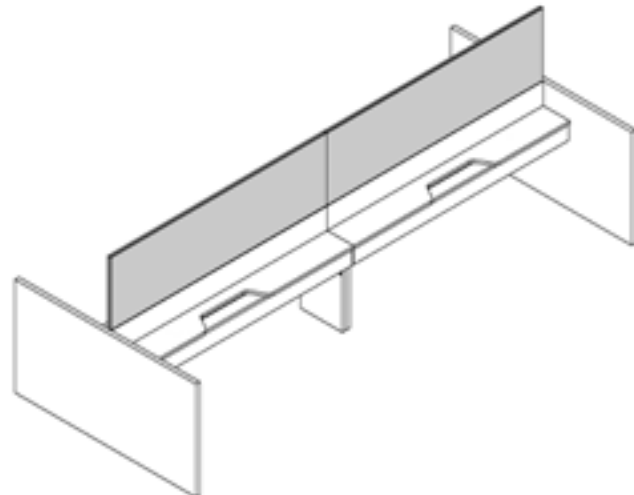


Privacy panels mount directly to the top surface of the Platform Trough.

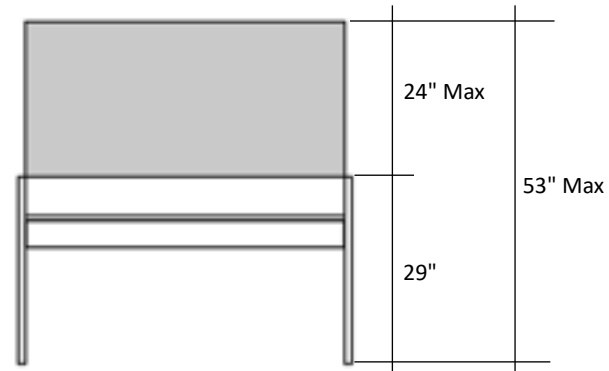


Maximum Height Possible

Add-On Privacy Options for Raised Panel Troughs

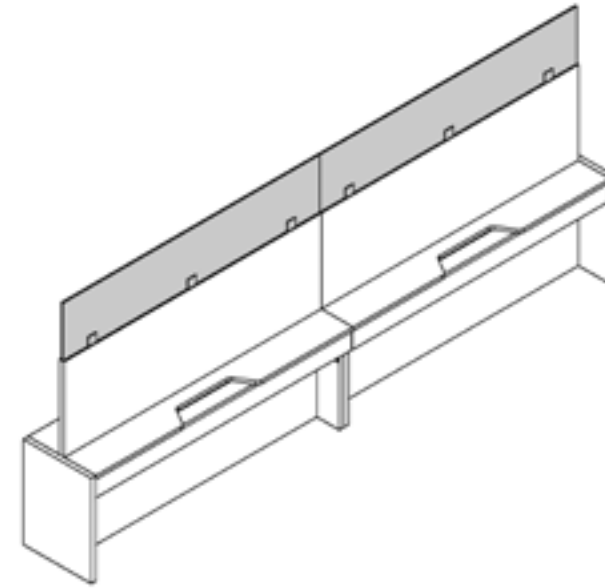


Privacy panels mount to the top edge of the center panel of the Raised Panel Trough.

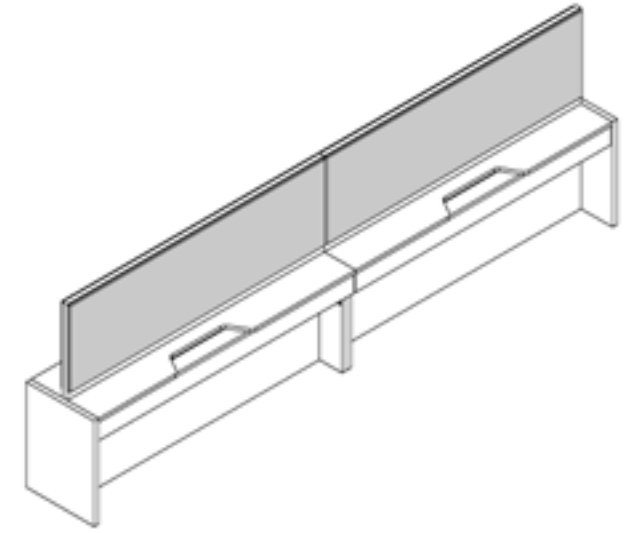


Maximum Height Possible

Add-On Privacy Options for Partition Troughs

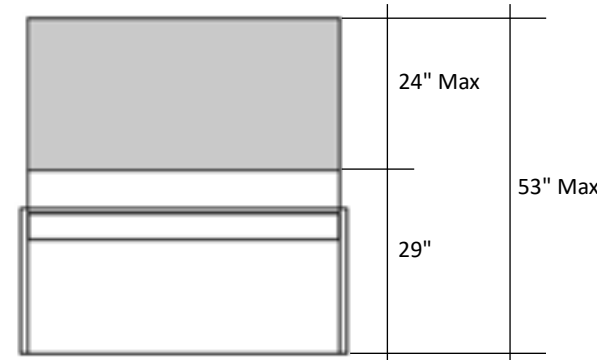


Wall Panel Mounted Privacy Panels

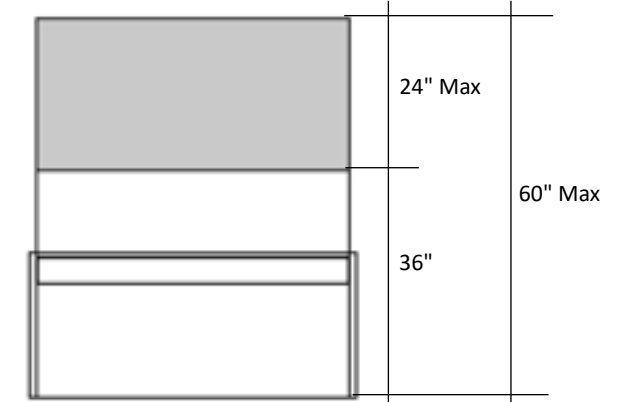


Panel Mounted Tackboards

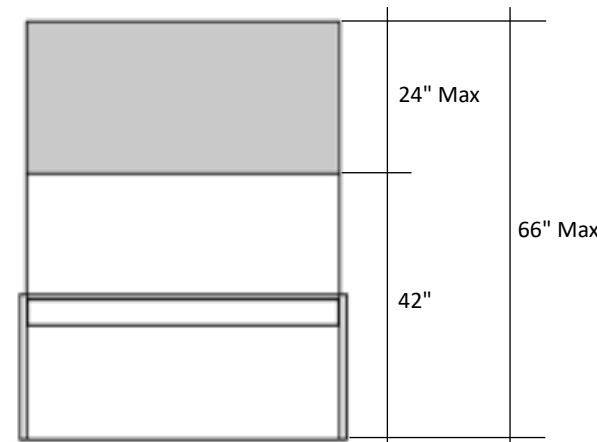
- Privacy panels mount to the top edge of the center panel of the Partition Trough to create height and a greater sense of enclosure.
- Panel mounted tackboards, acoustic tackboards and whiteboards can be mounted to the face of the center wall panels.



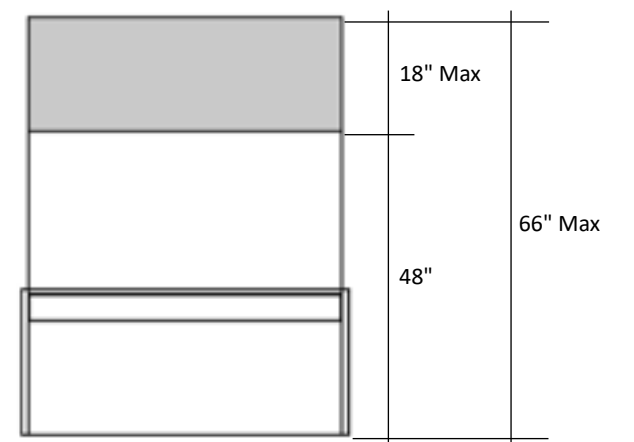
29" High Center Panel



36" High Center Panel



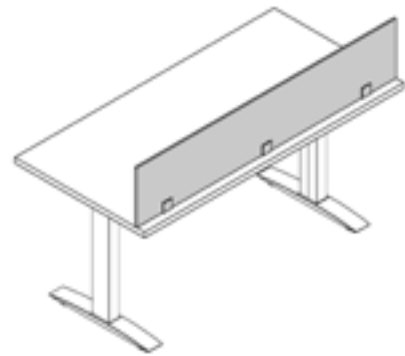
42" High Center Panel



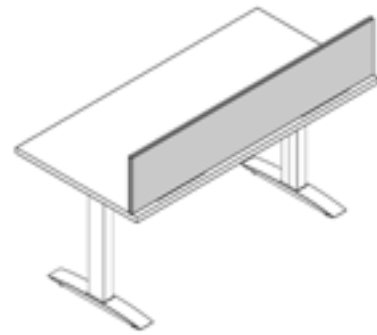
48" High Center Panel

Worksurface Mounted Privacy Options

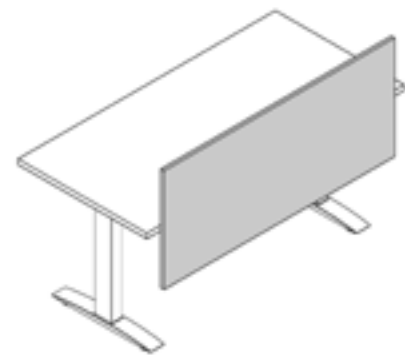
Worksurface mounted privacy panels provide the user with privacy that moves with them.



Laminate, Acrylic or Glass Privacy Panels



Double Sided Tackboard Privacy Panels



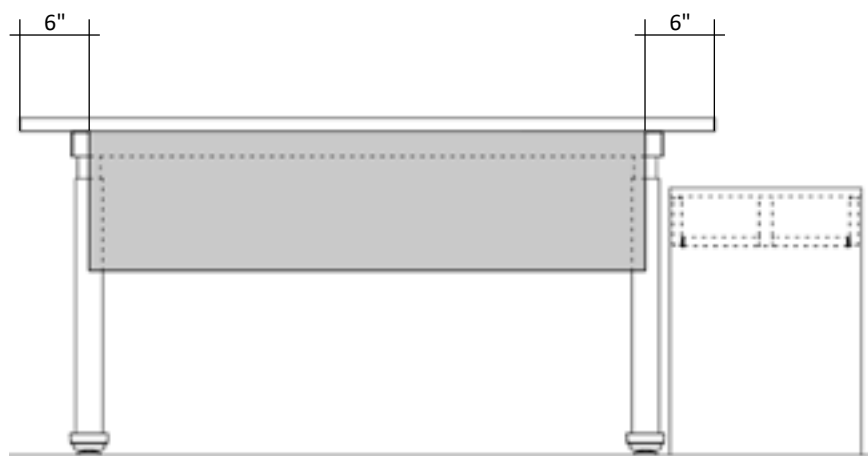
Laminate combination privacy/modesty Panels*
(Acrylic version not available)



Modesty Panels*

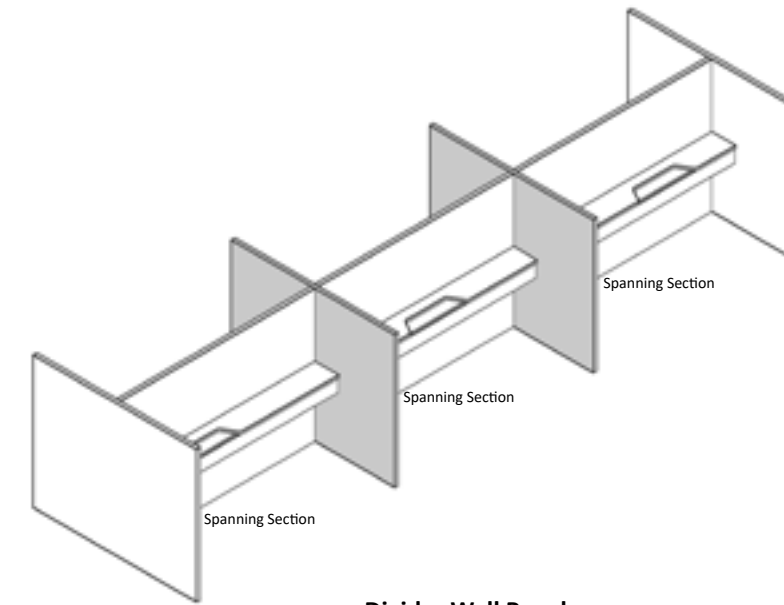
* Only worksurfaces positioned perpendicular to the trough unit can be specified with combination privacy/modesty panels or modesty panels.

Clearances with Hover Tables and Modesty Panels



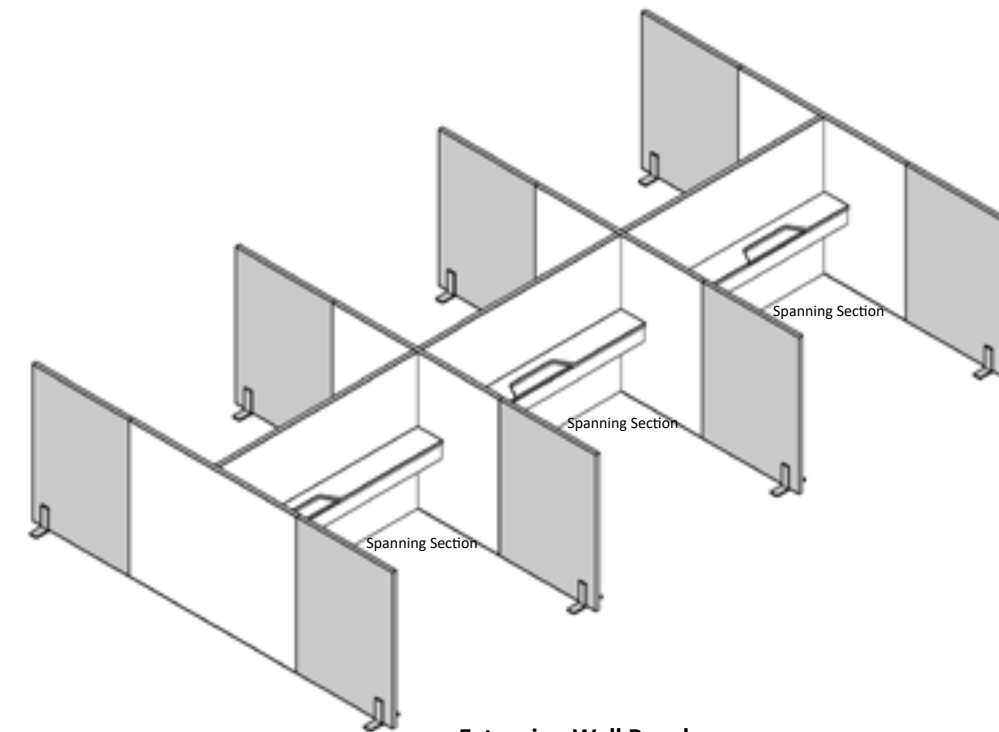
- When a laminate combination panel or modesty panel is specified, it is recommended that the panel be inset 6" from the edge of the work surface to avoid collision with the trough unit.

Space Division Options for Raised Panel and Partition Troughs



Divider Wall Panels

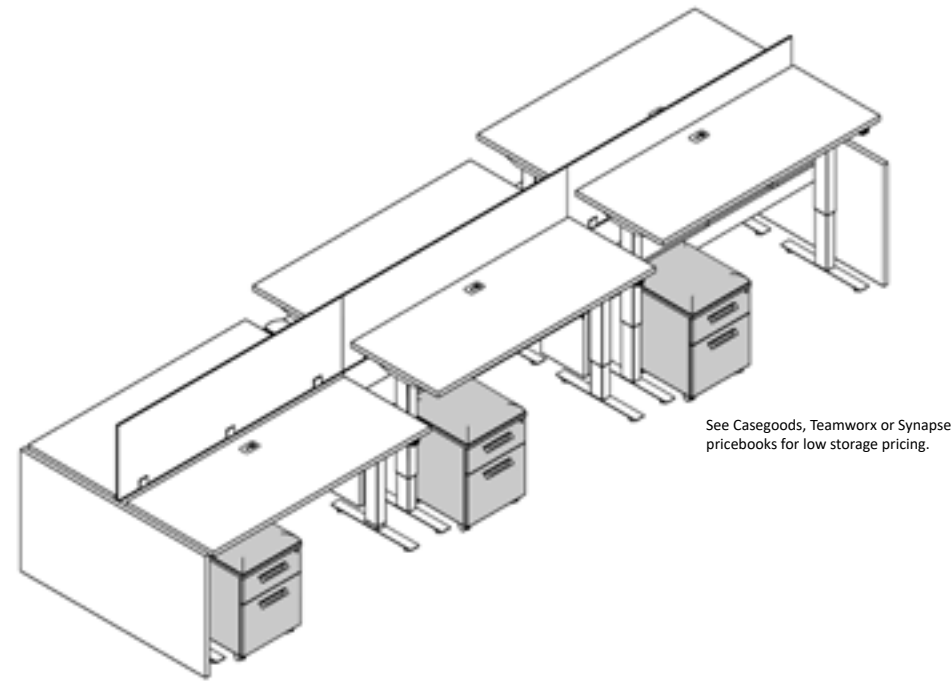
- Separate spanning trough sections to provide space division between individual users.
- Divider Panels increase the overall length of the setup increases by 1-1/8" for each divider panel specified.
- Divider Panels come standard with 2-1/2" grommet cutouts to allow electrical to route from one trough section to the next.
- Adjustable levelers on divider panels allow for 1-1/2" adjustment.



Extension Wall Panels

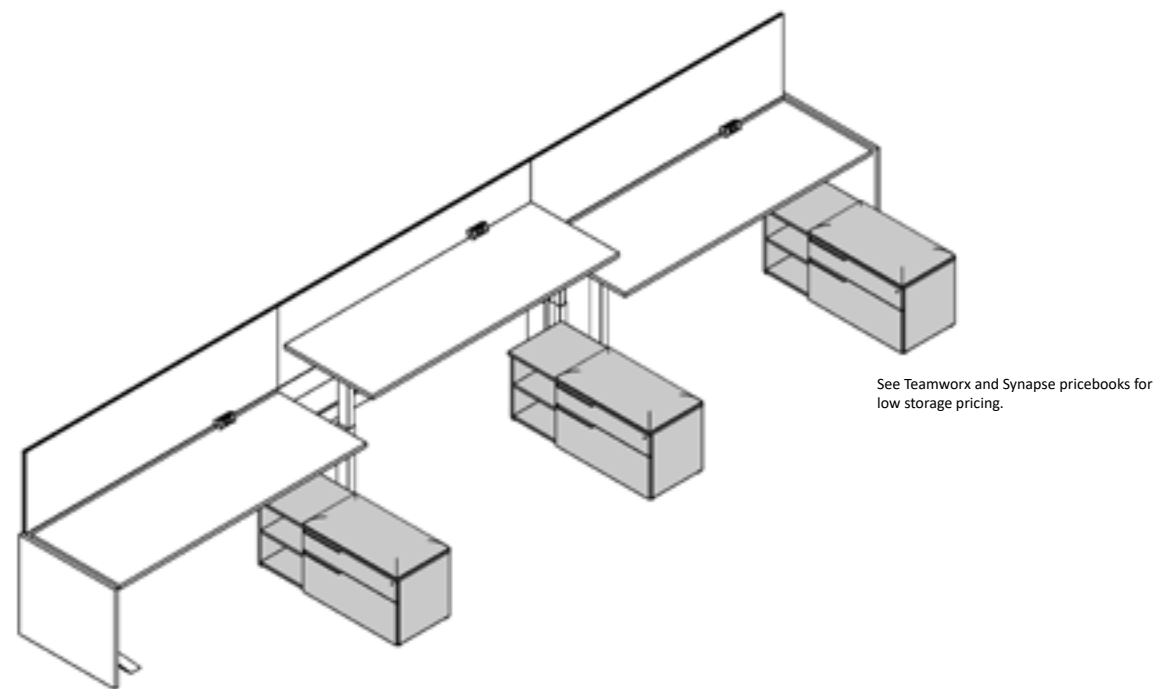
- Extension Panels come standard with Panel T-Foot for stability.
- Must specify Connecting End Panels and Divider Panels with Extension Wall Panels.
- Panels are not handed. The Panel T-Foot ships loose to be permanently secured at time of install.
- Panels are available in lengths 24"-60" in 6" increments. Panels 24"-36" include one T-foot; panels over 36" include two T-feet.
- The Panel T-Foot is 5" high so it will not interfere with Teamworx storage with 5" high legs
- Panels must attach to an end panel or divider panel. Cannot be used as a stand-alone wall.
- Adjustable levelers on extension panels allow for 1-1/2" adjustment.

Hover Storage Options



Mobile Pedestals

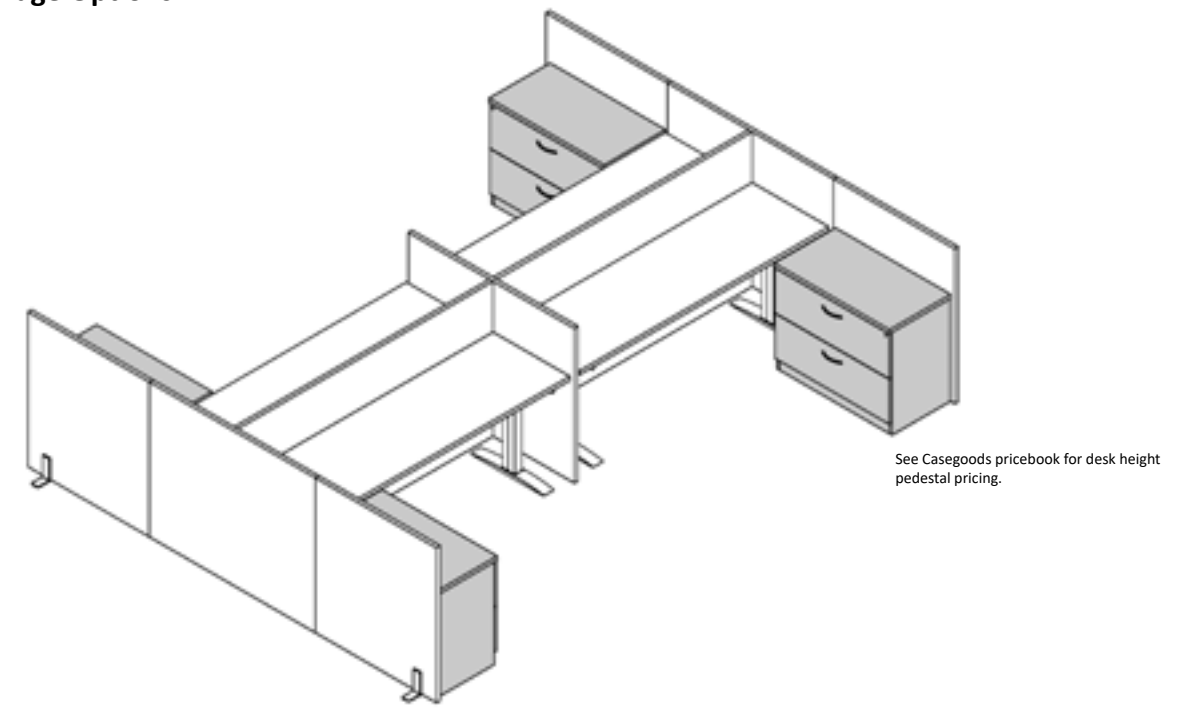
Mobile Box/File pedestals can be used with height adjustable tables to provide individual space to lock up, file and store personal items.



Low Storage

Teamworx and Synapse low storage credenzas can be used perpendicular to the trough units and placed below the height adjustable worksurface to provide space division, storage and casual seating if specified with cushion.

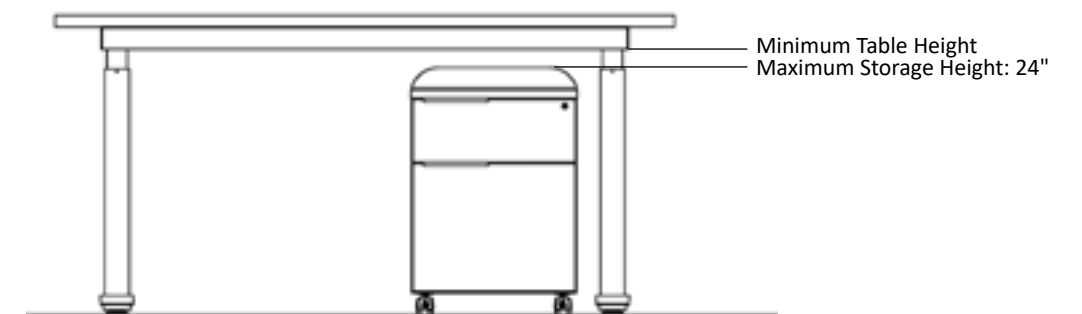
Hover Storage Options



Desk Height Pedestals

Desk height pedestals and credenzas can be placed beside Hover height adjustable tables for addition worksurface space and personal storage. A minimum clearance of 1" should be maintained between worksurface edges and storage units to minimize possible pinch point hazards. Only pedestals with a finished back and top should be specified if the units are not going to be placed in front of an Extension Wall Panel.

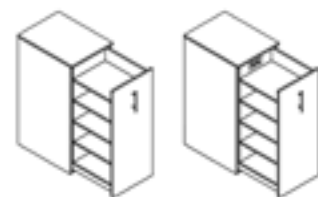
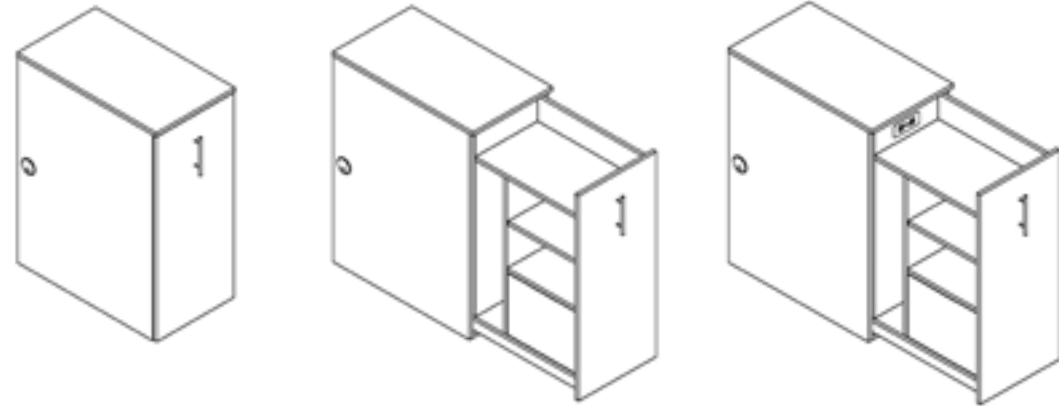
Clearances with Hover Tables and Storage



When storage is to be placed under height adjustable tables, storage heights should not be taller than the base minimum height to make sure the storage will not interfere with the height adjustable base operation.

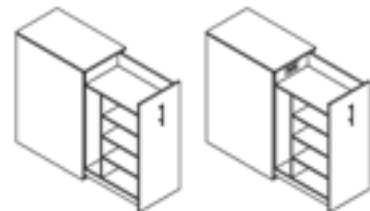
Hover Personal Storage Tower

Personal Storage Tower units can be used to create space division between each user while providing personal storage. Personal storage tower is available in left and right models. Right models are shown.



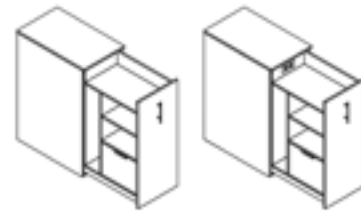
26" Shelf Storage Model

- 26" deep x 18" wide x 42" high.
- Available with and without power.
- Includes one fixed shelf and two adjustable shelves.
- Must specify grommet(s).



32" Shelf Storage Model

- 32" deep x 18" wide x 42" high.
- Available with and without power.
- Includes wardrobe with coat hook, one fixed shelf and two adjustable shelves.
- Must specify grommet(s).



32" File Storage Model

- 32" deep x 18" wide x 42" high.
- Available with and without power.
- Includes wardrobe with coat hook, one file drawer, one fixed shelf and one adjustable shelf.
- Must specify grommet(s).

Grommet for Personal Storage Tower

If tower units are placed between trough units, grommets are required to route wiring through the back of the tower cabinet. Grommet placement aligns with trough openings.



HV-GROM-LEFT

One grommet located on left side of tower.



HV-GROM-BOTH

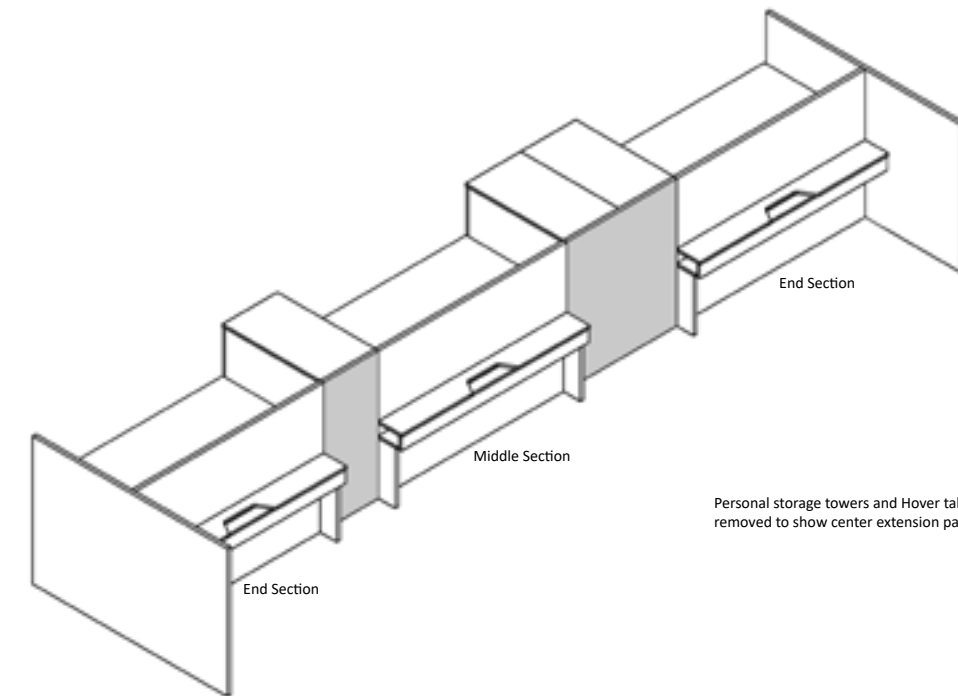
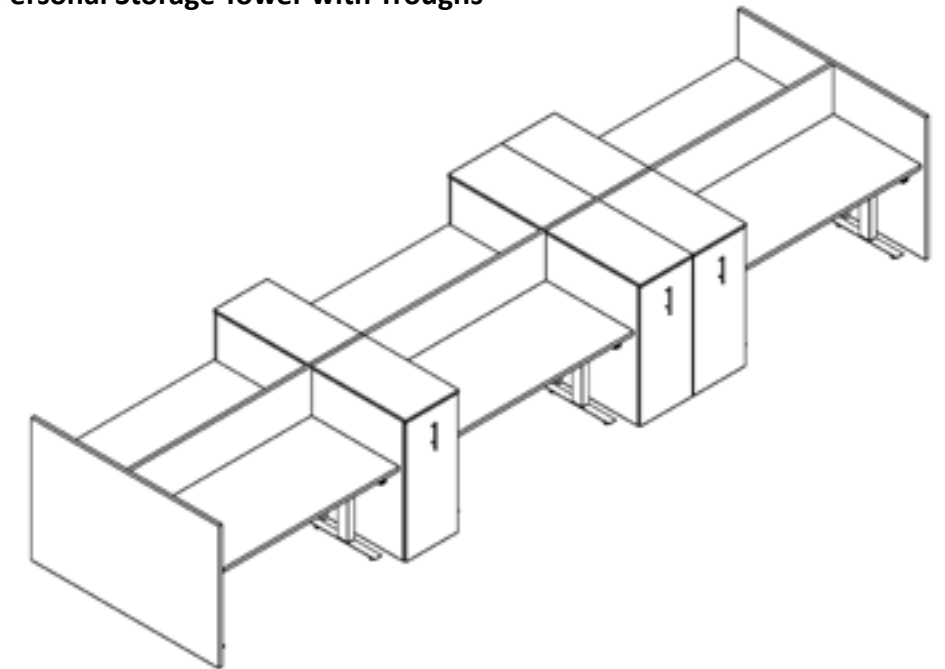
One grommet located on both left and right side of tower.



HV-GROM-RGHT

One grommet located on right side of tower.

Using Hover Personal Storage Tower with Troughs

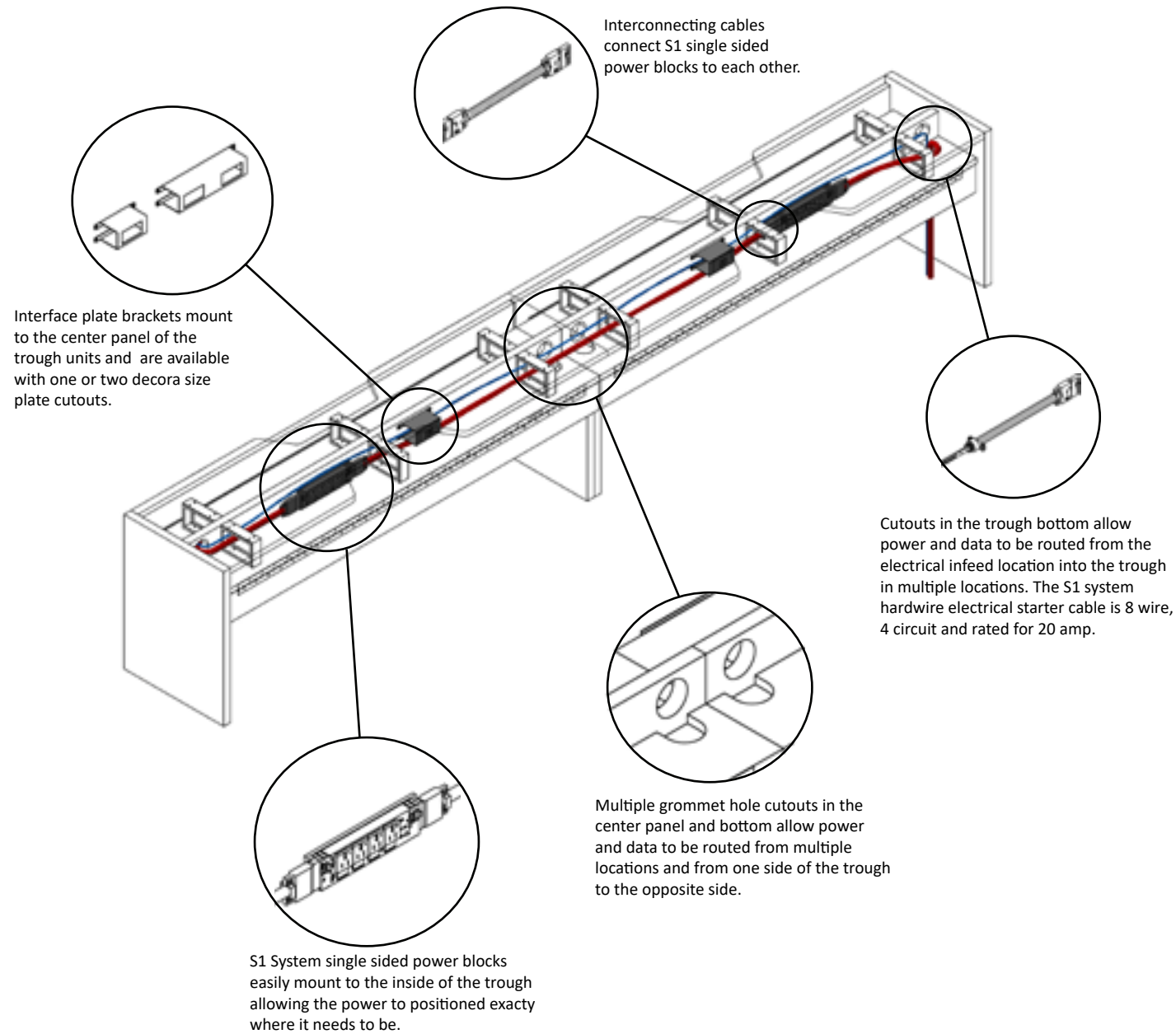


Center Extension Wall Panels

- Center extension panels attach to trough center panels to connect trough sections together with a storage tower between troughs.
- Panels are 1-1/8" thick material and include mechanical biscuit fasteners on both ends.
- Panels are available in lengths 18"-48" in 6" increments to allow one or two storage units to be placed in front of center extension panel.
- Panels must attach to a trough center panel and storage unit. Cannot be used as a stand-alone wall.
- Grain runs horizontal.
- Grommets for routing wiring through the back section of storage towers must be specified.

Hover Electrical

Hover Troughs allow for the horizontal routing of power, voice, data and IT/AV wiring from infeed source to each individual work station.



Hover Worksurface Grommet Location

Rectangle worksurface grommet locations are limited due to the worksurface supports attached to each lifting column on the height adjustable bases. See detailed Grommet Guide on deskmakers.com for more information.



Hover Wire Management to Worksurfaces

Vertical cable managers flex to allow wiring to be concealed and organized while moving with the worksurface as it raises and lowers to prevent binding.

Cable Spine for Freestanding Tables

Used for height adjustable tables when not used with Hover Troughs. Conceals and carries wires to weighted base at floor.



Cable Carrier for Trough Tables

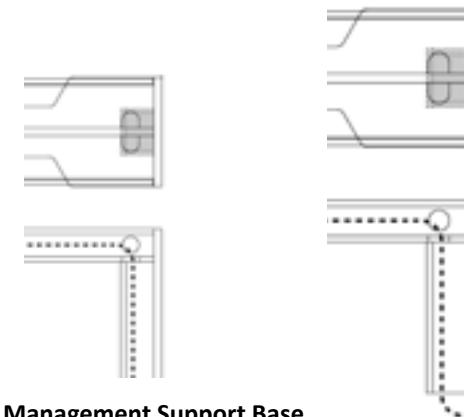
Used for height adjustable tables when used with Hover Troughs. Conceals and carries wires from trough to the underside of the worksurface. Cables simply push into carrier for quick and easy set up.



Hover Electrical Infeed Options

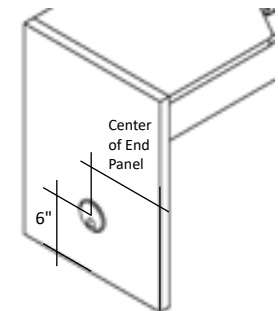
U-Shaped Wire Management Channel

Used to conceal power and data cables routing from infeed locations into trough. Attaches to end panel with magnetic catches and does not provide support. U-Shaped Wire Management Channel is 7" w x 5" d x 18" h.



End Panel Infeed Grommet- "EP"

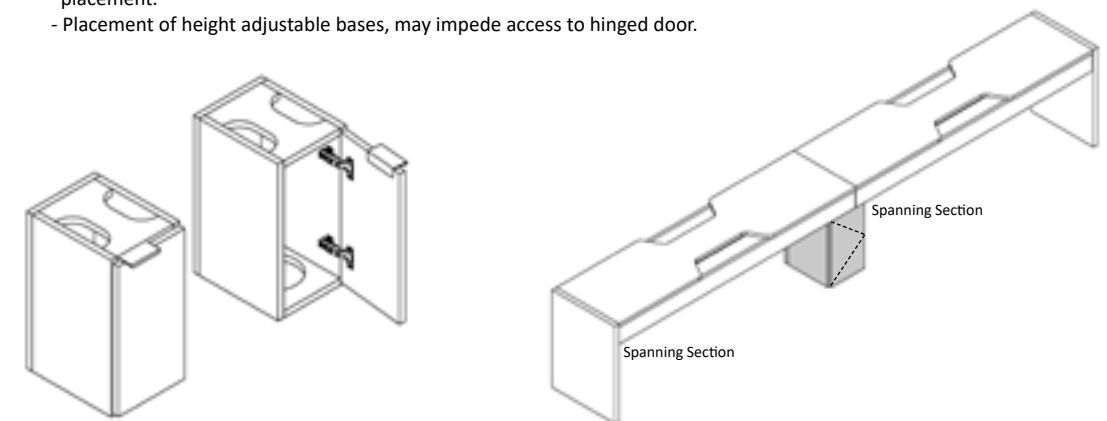
Used when infeed location is not located underneath the trough. Allows cables to route from outside the trough structure through the end panel. Grommet is 2-1/2" diameter. If special placement is required, please provide drawing of location.



Wire Management Support Base

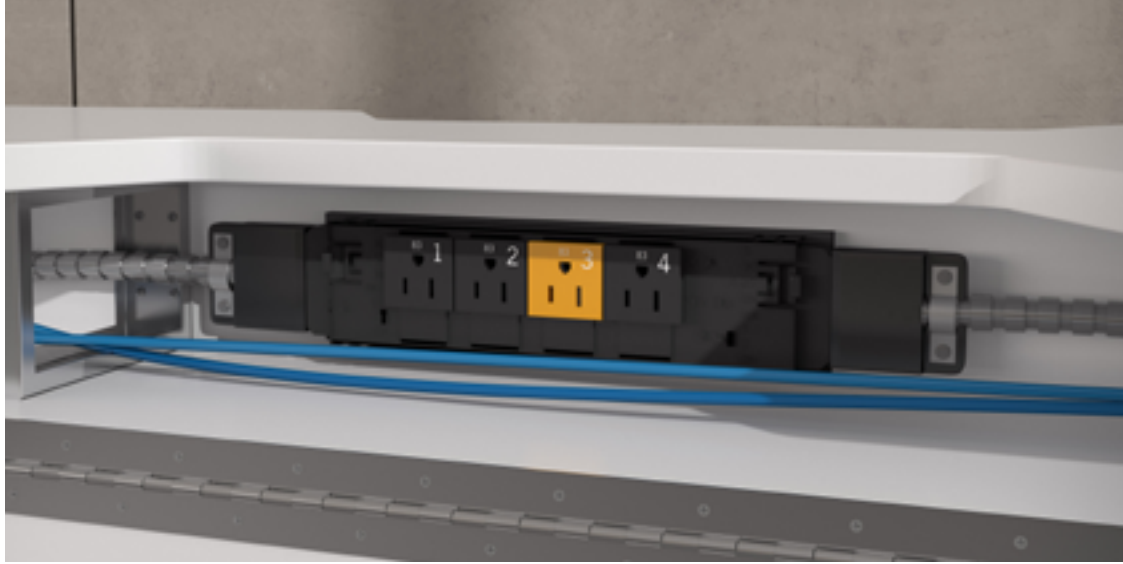
Used on Platform and Raised Panel trough units. The Wire Management Support Base replaces the intermediate leg supports on the trough units. Intended to be placed on top of floor core infeeds. Hinged door allows easy access for installation and future modifications. Includes 6" diameter cutout in bottom and dual cutouts in top to route wires into trough.

- Note:
- Wire management support base is 9" w x 12" d x 18" h. Please check height adjustable base sizes to make sure they do not interfere with base placement.
 - Placement of height adjustable bases, may impede access to hinged door.



S1 System Daisy-Chain 8 Wire, 4 Circuit

See Page 36 of the Electrical Pricebook for pricing and additional options.

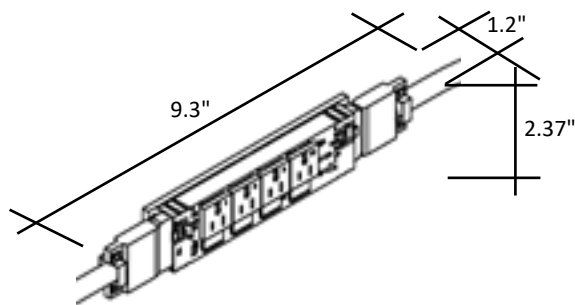


Specifications

- Single sided power blocks
- Simplex outlets are interchangeable permitting required circuit combination
- Interconnecting cables for daisy-chaining power blocks together
- Non-sequential system eliminates numerical sequence of units
- Hardwire or plug-in starter cables
- AC-ELS1-05 units cannot be used inside trough units

S1 System Single Sided Power Block

AC-ELS1-04



Specifications

- (4) power outlets total
- Outlets are removable and interchangeable
- Screw holes for easy installation
- Available as:
 - Outlets with Circuits 1,2,3 & 4
 - Outlets all Circuit 1

ASHRAE 90.1/Title 24 Energy Efficiency Standards

- 50% of hardwired receptacles are required to be controlled to automatically shut off, conserving energy when not in use.
- Controlled receptacles must be marked with the designated NEC standby mark.

ASHRAE 90.1/Title 24 S1 System Power Block

AC-ELS1-04-T24C

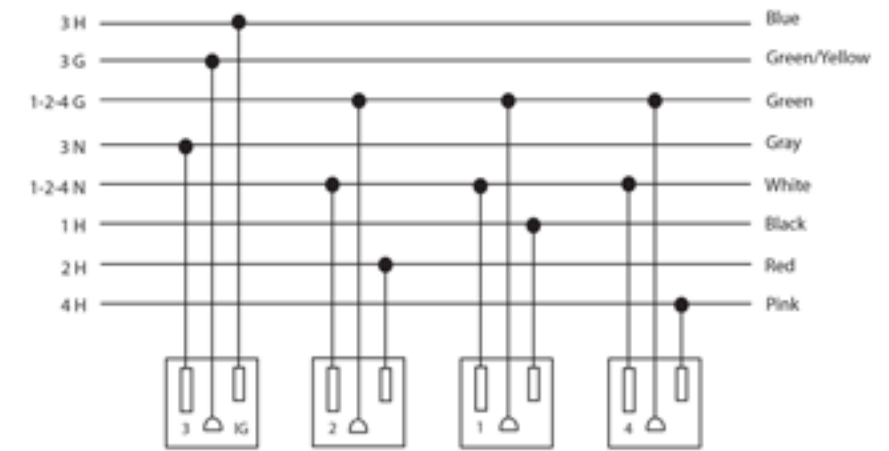
Specifications

- Outlets on Circuits 2 & 4 are controlled
- Outlets on Circuit 1 & 3 are not controlled
- "IG" circuit 3 utility is an isolated circuit and shares neutral and ground





Due to the height and depth restrictions of the trough interior, the S1 system Data Power Pak (AC-ELS1-05) unit cannot be used with Hover trough units.

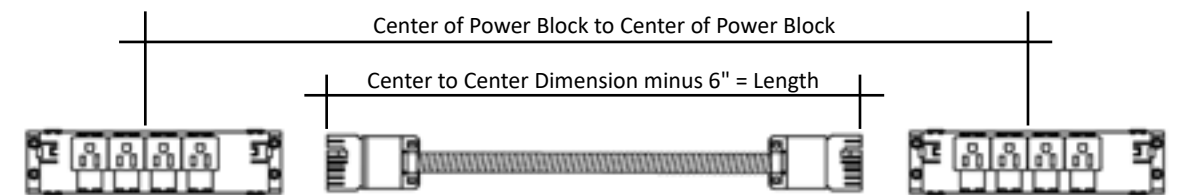
S1 System 8 Wire, 4 Circuit Wiring Schematic



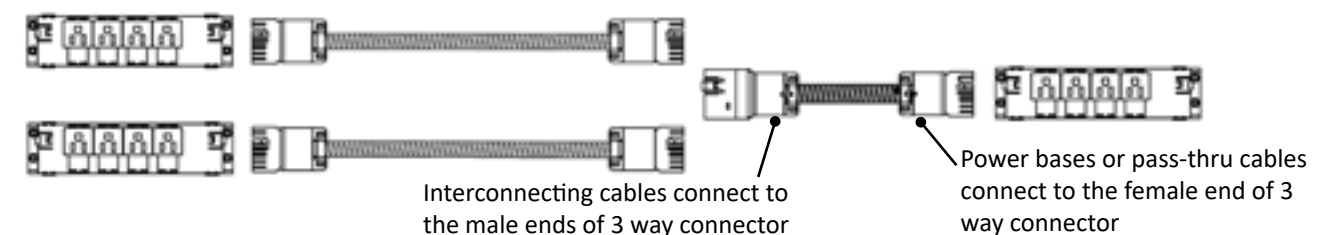
Number of Units per Starter Cable

Starter Cable Type	Single Sided Power Block
 Single Circuit Plug	4 Units
 Four Circuit Hardwire	16 Units

Calculating Interconnecting Cable Length

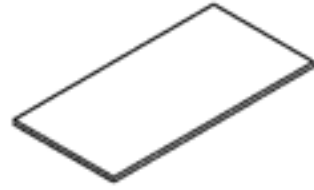


Using S1 System 3 Way Connectors



Rectangular Worksurface

TFL and HPL



			TFL		HPL		
			1-1/8" Thick Standard TFL 2mm PVC	1-1/8" Thick Premium TFL 2mm PVC	1-1/8" Thick Standard HPL 2mm PVC	1-1/8" Thick MDF Core 2mm PVC Knife	1" Thick Plywood Core Exposed Plywood
Model Number	Depth	Length	T1-A1	T2-A1	H1-A1	H1-K1	H1-P1
24" Deep							
HV-WS01-2448-??-??	24	48	\$382	\$420	\$644	\$749	\$1,171
HV-WS01-2454-??-??	24	54	\$383	\$422	\$647	\$754	\$1,184
HV-WS01-2460-??-??	24	60	\$386	\$425	\$650	\$762	\$1,198
HV-WS01-2466-??-??	24	66	\$389	\$428	\$653	\$768	\$1,211
HV-WS01-2472-??-??	24	72	\$392	\$431	\$655	\$773	\$1,224
HV-WS01-2478-??-??	24	78	\$481	\$529	\$828	\$972	\$1,542
HV-WS01-2484-??-??	24	84	\$484	\$532	\$831	\$977	\$1,556
30" Deep							
HV-WS01-3048-??-??	30	48	\$517	\$569	\$903	\$1,042	\$1,642
HV-WS01-3054-??-??	30	54	\$520	\$572	\$904	\$1,049	\$1,656
HV-WS01-3060-??-??	30	60	\$521	\$574	\$907	\$1,055	\$1,669
HV-WS01-3066-??-??	30	66	\$523	\$575	\$910	\$1,061	\$1,682
HV-WS01-3072-??-??	30	72	\$526	\$578	\$913	\$1,067	\$1,695
HV-WS01-3078-??-??	30	78	\$662	\$729	\$1,171	\$1,361	\$2,165
HV-WS01-3084-??-??	30	84	\$664	\$730	\$1,174	\$1,368	\$2,178
36" Deep							
HV-WS01-3648-??-??	36	48	\$520	\$572	\$904	\$1,049	\$1,656
HV-WS01-3654-??-??	36	54	\$521	\$574	\$907	\$1,055	\$1,669
HV-WS01-3660-??-??	36	60	\$523	\$575	\$910	\$1,061	\$1,682
HV-WS01-3666-??-??	36	66	\$526	\$578	\$913	\$1,067	\$1,695
HV-WS01-3672-??-??	36	72	\$528	\$581	\$916	\$1,073	\$1,708
HV-WS01-3678-??-??	36	78	\$664	\$730	\$1,174	\$1,368	\$2,178
HV-WS01-3684-??-??	36	84	\$666	\$733	\$1,177	\$1,374	\$2,191

- TFL worksurfaces are only available with DeskMakers standard 2MM PVC edgebanding.
- HPL worksurfaces with 2mm PVC edges are only available with DeskMakers standard 2MM PVC edgebanding.
- For rounded corners use OP-EDGE-RND for an additional \$187 per top.
- Please see the Cleaning and Care Guide for maintenance information.

120 Degree Worksurface

TFL and HPL



			TFL		HPL		
			1-1/8" Thick Standard TFL 2mm PVC	1-1/8" Thick Premium TFL 2mm PVC	1-1/8" Thick Standard HPL 2mm PVC	1-1/8" Thick MDF Core 2mm PVC Knife	1" Thick Plywood Core Exposed Plywood
Model Number	Depth	Length	T1-A1	T2-A1	H1-A1	H1-K1	H1-P1
24" Deep							
HV-WS45-4242-??-??	42	42	\$883	\$971	\$1,393	\$1,896	\$2,320
HV-WS45-4848-??-??	48	48	\$1,135	\$1,248	\$1,794	\$1,927	\$2,371
HV-WS45-5454-??-??	54	54	\$1,362	\$1,498	\$2,151	\$1,956	\$2,422
30" Deep							
HV-WS46-4242-??-??	42	42	\$961	\$1,057	\$1,517	\$1,906	\$2,338
HV-WS46-4848-??-??	48	48	\$1,211	\$1,332	\$1,912	\$1,938	\$3,361
HV-WS46-5454-??-??	54	54	\$1,437	\$1,581	\$2,270	\$1,968	\$3,411

- TFL worksurfaces are only available with DeskMakers standard 2MM PVC edgebanding.
- HPL worksurfaces with 2mm PVC edges are only available with DeskMakers standard 2MM PVC edgebanding.
- Please see the Cleaning and Care Guide for maintenance information.

90 Degree Worksurface

TFL and HPL



Model Number	Depth	Length	TFL		HPL									
			1-1/8" Thick Standard TFL 2mm PVC	1-1/8" Thick Premium TFL 2mm PVC	1-1/8" Thick Standard HPL 2mm PVC	1-1/8" Thick MDF Core 2mm PVC Knife	1" Thick Plywood Core Exposed Plywood	T1-A1	T2-A1	H1-A1	H1-K1	H1-P1		
24" Deep Return and 24" Deep Workspace														
Left Model	Right Model													
HV-WS07-4266-L-??-??	HV-WS07-4266-R-??-??	42	66	\$952	\$1,047	\$1,505	\$1,880	\$2,292						
HV-WS07-4272-L-??-??	HV-WS07-4272-R-??-??	42	72	\$997	\$1,096	\$1,575	\$1,893	\$2,315						
HV-WS07-4278-L-??-??	HV-WS07-4278-R-??-??	42	78	\$1,149	\$1,264	\$1,814	\$1,906	\$2,338						
HV-WS07-4866-L-??-??	HV-WS07-4866-R-??-??	48	66	\$1,087	\$1,196	\$1,718	\$1,893	\$2,315						
HV-WS07-4872-L-??-??	HV-WS07-4872-R-??-??	48	72	\$1,135	\$1,248	\$1,794	\$1,906	\$2,338						
HV-WS07-4878-L-??-??	HV-WS07-4878-R-??-??	48	78	\$1,287	\$1,416	\$2,035	\$1,920	\$2,360						
HV-WS07-5466-L-??-??	HV-WS07-5466-R-??-??	54	66	\$1,271	\$1,399	\$2,008	\$1,906	\$3,308						
HV-WS07-5472-L-??-??	HV-WS07-5472-R-??-??	54	72	\$1,318	\$1,449	\$2,082	\$1,920	\$3,332						
HV-WS07-5478-L-??-??	HV-WS07-5478-R-??-??	54	78	\$1,469	\$1,615	\$2,320	\$1,933	\$3,354						
HV-WS07-6066-L-??-??	HV-WS07-6066-R-??-??	60	66	\$1,385	\$1,524	\$2,186	\$1,920	\$3,332						
HV-WS07-6072-L-??-??	HV-WS07-6072-R-??-??	60	72	\$1,431	\$1,574	\$2,260	\$1,933	\$3,354						
HV-WS07-6078-L-??-??	HV-WS07-6078-R-??-??	60	78	\$1,582	\$1,740	\$2,498	\$1,947	\$3,378						

24" Deep Return and 30" Deep Workspace

Left Model	Right Model	Depth	Length	T1-A1	T2-A1	H1-A1	H1-K1	H1-P1
HV-WS08-4266-L-??-??	HV-WS08-4266-R-??-??	42	66	\$1,043	\$1,147	\$1,646	\$1,973	\$2,388
HV-WS08-4272-L-??-??	HV-WS08-4272-R-??-??	42	72	\$1,087	\$1,196	\$1,718	\$1,989	\$2,410
HV-WS08-4278-L-??-??	HV-WS08-4278-R-??-??	42	78	\$1,240	\$1,364	\$1,958	\$2,002	\$2,435
HV-WS08-4866-L-??-??	HV-WS08-4866-R-??-??	48	66	\$1,181	\$1,299	\$1,862	\$1,991	\$2,412
HV-WS08-4872-L-??-??	HV-WS08-4872-R-??-??	48	72	\$1,227	\$1,350	\$1,936	\$2,003	\$2,435
HV-WS08-4878-L-??-??	HV-WS08-4878-R-??-??	48	78	\$1,378	\$1,516	\$2,174	\$2,014	\$2,454
HV-WS08-5466-L-??-??	HV-WS08-5466-R-??-??	54	66	\$1,364	\$1,500	\$2,154	\$2,005	\$3,407
HV-WS08-5472-L-??-??	HV-WS08-5472-R-??-??	54	72	\$1,408	\$1,549	\$2,223	\$2,015	\$3,426
HV-WS08-5478-L-??-??	HV-WS08-5478-R-??-??	54	78	\$1,561	\$1,717	\$2,465	\$2,030	\$3,450
HV-WS08-6066-L-??-??	HV-WS08-6066-R-??-??	60	66	\$1,479	\$1,626	\$2,333	\$2,018	\$3,429
HV-WS08-6072-L-??-??	HV-WS08-6072-R-??-??	60	72	\$1,523	\$1,676	\$2,403	\$2,030	\$3,450
HV-WS08-6078-L-??-??	HV-WS08-6078-R-??-??	60	78	\$1,676	\$1,843	\$2,645	\$2,045	\$3,475

- TFL worksurfaces are only available with DeskMakers standard 2MM PVC edgebanding.
 - HPL worksurfaces with 2mm PVC edges are only available with DeskMakers standard 2MM PVC edgebanding.
 - Please see the Cleaning and Care Guide for maintenance information.

90 Degree Worksurface - Symmetrical

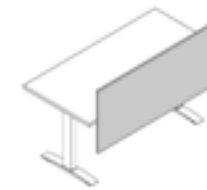
TFL and HPL



Model Number	Depth	Length	TFL		HPL									
			1-1/8" Thick Standard TFL 2mm PVC	1-1/8" Thick Premium TFL 2mm PVC	1-1/8" Thick Standard HPL 2mm PVC	1-1/8" Thick MDF Core 2mm PVC Knife	1" Thick Plywood Core Exposed Plywood	T1-A1	T2-A1	H1-A1	H1-K1	H1-P1		
24" Deep Return and 24" Deep Workspace														
HV-WS40-4848-??-??	48	48	\$791	\$870	\$1,251	\$1,123	\$1,384							
HV-WS40-5454-??-??	54	54	\$840	\$924	\$1,326	\$1,880	\$1,915							
HV-WS40-6060-??-??	60	60	\$872	\$959	\$1,378	\$1,906	\$1,961							
30" Deep Return and 30" Deep Workspace														
HV-WS41-4848-??-??	48	48	\$817	\$899	\$1,290	\$1,149	\$1,411							
HV-WS41-5454-??-??	54	54	\$866	\$952	\$1,367	\$1,906	\$1,941							
HV-WS41-6060-??-??	60	60	\$898	\$987	\$1,417	\$1,933	\$1,986							

- TFL worksurfaces are only available with DeskMakers standard 2MM PVC edgebanding.
 - HPL worksurfaces with 2mm PVC edges are only available with DeskMakers standard 2MM PVC edgebanding.
 - Please see the Cleaning and Care Guide for maintenance information.

Combination Laminate Privacy/Modesty Panel

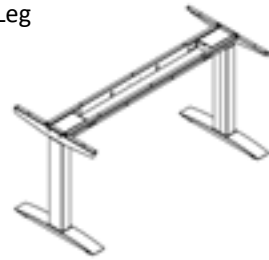


Model Number	Depth	Height	TFL (T)	HPL w/PVC (H)
AC-CMOD-2430-A	30	24	\$655	
AC-CMOD-2436-A	36	24	\$721	
AC-CMOD-2442-A	42	24	\$770	
AC-CMOD-2448-A	48	24	\$824	
AC-CMOD-2454-A	54	24	\$883	
AC-CMOD-2460-A	60	24	\$926	
AC-CMOD-2466-A	66	24	\$1,017	
AC-CMOD-2472-A	72	24	\$1,120	
AC-CMOD-2478-A	78	24	\$1,289	
AC-CMOD-2480-A	80	24	\$1,352	

- DeskMakers recommends ordering a modesty panel at least 12" less wide than the worksurface on which it will be mounted.
 - Ships unattached. Includes cantilever brackets for mounting.
 - Grain runs horizontally for all sizes.

Hover Lift Height Adjustable Bases

Electric - 2 Leg



Model Number	T-Foot Length	Worksurface Width	Worksurface Length	Price
For 24" and 30" Deep Worksurfaces				
HV-AE23-2448-??	23	24/30	48	\$2,787
HV-AE23-2454-??	23	24/30	54	\$2,803
HV-AE23-2460-??	23	24/30	60	\$2,808
HV-AE23-2466-??	23	24/30	66	\$2,826
HV-AE23-2472-??	23	24/30	72	\$2,838
HV-AE23-2478-??	23	24/30	78	\$2,853
HV-AE23-2484-??	23	24/30	84	\$2,947
For 30" and 36" Deep Worksurfaces				
HV-AE29-3648-??	29	30/36	48	\$2,829
HV-AE29-3654-??	29	30/36	54	\$2,846
HV-AE29-3660-??	29	30/36	60	\$2,850
HV-AE29-3666-??	29	30/36	66	\$2,869
HV-AE29-3672-??	29	30/36	72	\$2,881
HV-AE29-3678-??	29	30/36	78	\$2,896
HV-AE29-3684-??	29	30/36	84	\$2,990

- Please specify base finish when ordering. Premium colors available with 10% increase, OP-COLOR. See page 6 for finish options.
- Tops specified separately.
- Bases ship unassembled.
- Includes adjustable glides. 2" high Casters available, add OP-CAST-OMT-A for \$148 (set of 4).
- Programmable digital control available, add AC-CNTL-DIGI for \$261.
- External safety sensor available, add AC-DRBK-OMT for \$349.

Hover Lift Height Adjustable Bases

Electric - 3 Leg - 120 Degree



Model Number	T-Foot Length	Worksurface Width	Worksurface Length	Price
For 24" Deep Worksurfaces				
HV-AE12-4242-23-??	23	42	42	\$3,950
HV-AE12-4848-23-??	23	48	48	\$4,013
HV-AE12-5454-23-??	23	54	54	\$4,153
For 30" Deep Worksurfaces				
HV-AE12-4242-29-??	29	42	42	\$3,992
HV-AE12-4848-29-??	29	48	48	\$4,056
HV-AE12-5454-29-??	29	54	54	\$4,195

- Please specify base finish when ordering. Premium colors available with 10% increase, OP-COLOR. See page 6 for finish options.
- Tops specified separately.
- Bases ship unassembled.
- Programmable digital control available, add AC-CNTL-DIGI for \$261.
- External safety sensor available, add AC-DRBK-OMT for \$349.

Hover Lift Height Adjustable Bases

Electric - 3 Leg - 90 Degree Symmetrical

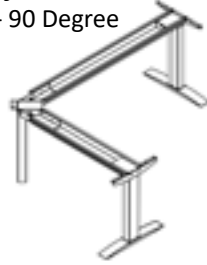


Model Number	T-Foot Length	Worksurface Width	Worksurface Length	Price
For 24" Deep Worksurfaces				
HV-AE90-4848-23-??	23	48	48	\$4,150
HV-AE90-5454-23-??	23	54	54	\$4,213
HV-AE90-6060-23-??	23	60	60	\$4,353
For 30" Deep Worksurfaces				
HV-AE90-4848-29-??	29	48	48	\$4,146
HV-AE90-5454-29-??	29	54	54	\$4,192
HV-AE90-6060-29-??	29	60	60	\$4,256

- Please specify base finish when ordering. Premium colors available with 10% increase, OP-COLOR. See page 6 for finish options.
- Tops specified separately.
- Bases ship unassembled.
- Programmable digital control available, add AC-CNTL-DIGI for \$261.
- External safety sensor available, add AC-DRBK-OMT for \$349.

Hover Lift Adjustable Bases

Electric - 3 Leg - 90 Degree



Model Number	T-Foot Length	Worksurface Width	Worksurface Length	Price
For 24" Deep Return Connection and 24" Deep Workspace				
HV-AE90-4266-23-??	23	42	66	\$4,193
HV-AE90-4272-23-??	23	42	72	\$4,198
HV-AE90-4278-23-??	23	42	78	\$4,216
HV-AE90-4866-23-??	23	48	66	\$4,216
HV-AE90-4872-23-??	23	48	72	\$4,221
HV-AE90-4878-23-??	23	48	78	\$4,239
HV-AE90-5466-23-??	23	54	66	\$4,248
HV-AE90-5472-23-??	23	54	72	\$4,252
HV-AE90-5478-23-??	23	54	78	\$4,271
HV-AE90-6066-23-??	23	60	66	\$4,318
HV-AE90-6072-23-??	23	60	72	\$4,322
HV-AE90-6078-23-??	23	60	78	\$4,341

For 24" Deep Return Connection and 30" Deep Workspace

HV-AE90-4266-29-??	23/29	42	66	\$4,219
HV-AE90-4272-29-??	23/29	42	72	\$4,236
HV-AE90-4278-29-??	23/29	42	78	\$4,240
HV-AE90-4866-29-??	23/29	48	66	\$4,219
HV-AE90-4872-29-??	23/29	48	72	\$4,236
HV-AE90-4878-29-??	23/29	48	78	\$4,240
HV-AE90-5466-29-??	23/29	54	66	\$4,242
HV-AE90-5472-29-??	23/29	54	72	\$4,259
HV-AE90-5478-29-??	23/29	54	78	\$4,263
HV-AE90-6066-29-??	23/29	60	66	\$4,274
HV-AE90-6072-29-??	23/29	60	72	\$4,290
HV-AE90-6078-29-??	23/29	60	78	\$4,295

- Please specify base finish when ordering. Premium colors available with 10% increase, OP-COLOR. See page 6 for finish options.
- Tops specified separately.
- Bases ship unassembled.
- Programmable digital control available, add AC-CNTL-DIGI for \$261.
- External safety sensor available, add AC-DRBK-OMT for \$349.

Hover Reach Height Adjustable Bases - 2 Leg for Rectangular Worksurfaces

Electric - 3 Stage



Model Number	T-Foot Length	Worksurface Width	Worksurface Length	Price
For 24" and 30" Deep Worksurfaces				
ML-3STG-2472-SV	23	24/30	48/72	\$1,162
For 30" and 36" Deep Worksurfaces				
ML-3STG-3072-SV	29	30/36	48/72	\$1,197

- Silver finish standard.
- Tops specified separately. Bases ship unassembled with tool-free quick-install components.
- Includes adjustable steel frame, adjustable glides and programmable digital control.
- Base can accommodate tops up to 84" with the addition of ML-2LEG-EXKT for \$380

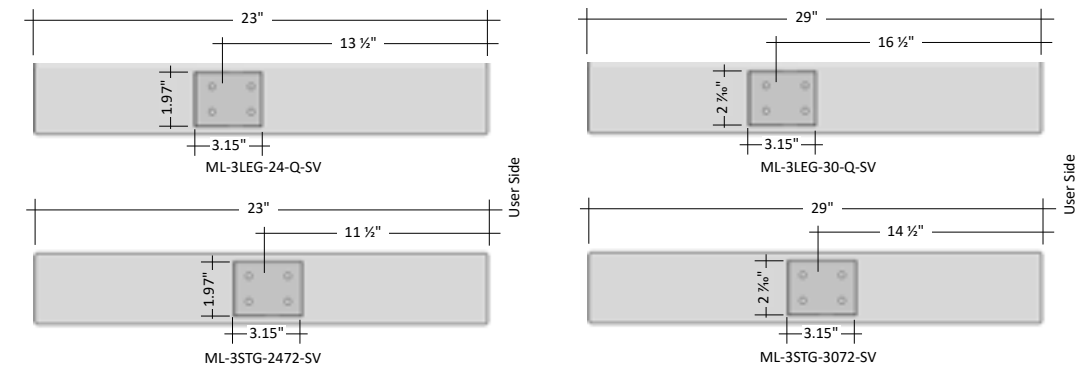
Hover Reach Height Adjustable Bases - 3 Leg for 120 or 90 Degree Worksurfaces

Electric - 3 Stage



Model Number	T-Foot Length	Worksurface Width	Worksurface Length	Price
For 24" and 30" Deep Worksurfaces				
ML-3LEG-24-Q-SV	23	24/30	84x84	\$2,034
For 30" and 36" Deep Worksurfaces				
ML-3LEG-30-Q-SV	29	30/36	84x84	\$2,068

- Silver finish standard.
- Tops specified separately. Bases ship unassembled with tool-free quick-install components.
- Includes adjustable steel frame, adjustable glides and programmable digital control.
- Universal bracket for both 120 degree and 90 degree applications.
- NOTE: The Reach 3-Leg has a C-Leg Style foot - the leg column is slightly off-center, farther from the user side. See below for diagram.



Hover Boost Height Adjustable Bases - 2 Leg for Rectangular Worksurfaces

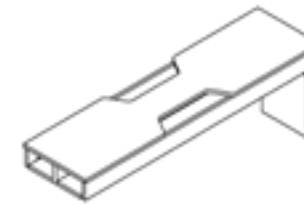
Electric - 2 Stage



Model Number	T-Foot Length	Worksurface Width	Worksurface Length	Price
For 24" and 30" Deep Worksurfaces				
ML-2STG-2472-??	23	24/30	42/72	\$998
For 30" and 36" Deep Worksurfaces				
ML-2STG-3072-??	29	30/36	42/72	\$1,029

- Silver finish standard. Black and White may require additional lead time.
- Tops specified separately. Bases ship unassembled with tool-free quick-install components.
- Includes adjustable steel frame, adjustable glides and programmable digital control.
- Base can accommodate tops up to 84" with the addition of ML-2LEG-EXKT for \$380

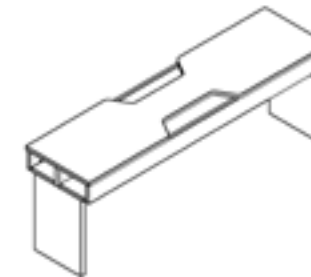
Platform Trough End Section



Model Number	Width	Length	Height	TFL (T)	HPL (H)
HV-PLFE-2350-?	16 1/2	50	23	\$1,000	\$1,578
HV-PLFE-2356-?	16 1/2	56	23	\$1,020	\$1,611
HV-PLFE-2362-?	16 1/2	62	23	\$1,060	\$1,675
HV-PLFE-2368-?	16 1/2	68	23	\$1,161	\$1,832
HV-PLFE-2374-?	16 1/2	74	23	\$1,200	\$1,894
HV-PLFE-2380-?	16 1/2	80	23	\$1,562	\$2,468
HV-PLFE-2386-?	16 1/2	86	23	\$1,602	\$2,530

- 80" and 86" Troughs include an additional leg support mounted in the middle of trough for additional structural support.
- Includes all required metal brackets and adjustable glides.
- Edges are DeskMakers standard 2MM PVC edgebanding for both TFL and HPL finishes.

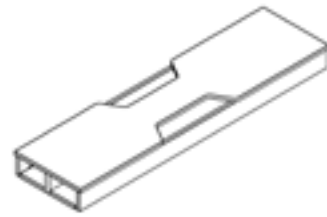
Platform Trough Middle Section



Model Number	Width	Length	Height	TFL (T)	HPL (H)
HV-PLFM-2350-?	16 1/2	50	23	\$1,237	\$1,953
HV-PLFM-2356-?	16 1/2	56	23	\$1,257	\$1,985
HV-PLFM-2362-?	16 1/2	62	23	\$1,297	\$2,048
HV-PLFM-2368-?	16 1/2	68	23	\$1,398	\$2,207
HV-PLFM-2374-?	16 1/2	74	23	\$1,437	\$2,271
HV-PLFM-2380-?	16 1/2	80	23	\$1,801	\$2,843
HV-PLFM-2386-?	16 1/2	86	23	\$1,841	\$2,907

- 80" and 86" Troughs include an additional leg support mounted in the middle of trough for additional structural support.
- Includes all required metal brackets and adjustable glides.
- Edges are DeskMakers standard 2MM PVC edgebanding for both TFL and HPL finishes.

Platform Trough Spanning Section

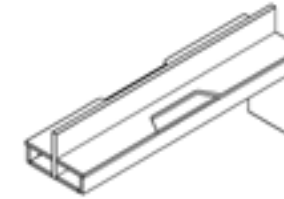


Model Number	Width	Length	Height	TFL (T)	HPL (H)
HV-PLFS-2350-?	16 1/2	50	23	\$761	\$1,202
HV-PLFS-2356-?	16 1/2	56	23	\$782	\$1,234
HV-PLFS-2362-?	16 1/2	62	23	\$821	\$1,298
HV-PLFS-2368-?	16 1/2	68	23	\$923	\$1,457
HV-PLFS-2374-?	16 1/2	74	23	\$962	\$1,519
HV-PLFS-2380-?	16 1/2	80	23	\$1,325	\$2,092
HV-PLFS-2386-?	16 1/2	86	23	\$1,366	\$2,154

- 80" and 86" Troughs include an additional leg support mounted in the middle of trough for additional structural support.
- Includes all required metal brackets and adjustable glides.
- Edges are DeskMakers standard 2MM PVC edgebanding for both TFL and HPL finishes.

Raised Panel Trough End Section

11" High Center Panel (6" high above trough top)

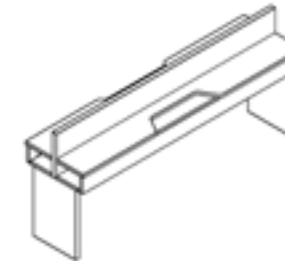


Model Number	Width	Length	Height	TFL (T)	HPL (H)
HV-RPLE-1150-?	16 1/2	50	29	\$1,125	\$1,776
HV-RPLE-1156-?	16 1/2	56	29	\$1,149	\$1,815
HV-RPLE-1162-?	16 1/2	62	29	\$1,194	\$1,885
HV-RPLE-1168-?	16 1/2	68	29	\$1,299	\$2,050
HV-RPLE-1174-?	16 1/2	74	29	\$1,342	\$2,118
HV-RPLE-1180-?	16 1/2	80	29	\$1,743	\$2,753
HV-RPLE-1186-?	16 1/2	86	29	\$1,788	\$2,821

- 80" and 86" Troughs include an additional leg support mounted in the middle of trough for additional structural support.
- Includes all required metal brackets and adjustable glides.
- Edges are DeskMakers standard 2MM PVC edgebanding for both TFL and HPL finishes.

Raised Panel Trough Middle Section

11" High Center Panel (6" high above trough top)

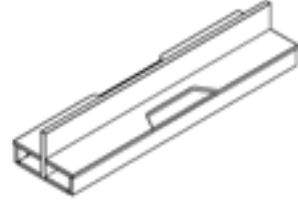


Model Number	Width	Length	Height	TFL (T)	HPL (H)
HV-RPLM-1150-?	16 1/2	50	29	\$1,364	\$2,153
HV-RPLM-1156-?	16 1/2	56	29	\$1,388	\$2,192
HV-RPLM-1162-?	16 1/2	62	29	\$1,431	\$2,260
HV-RPLM-1168-?	16 1/2	68	29	\$1,536	\$2,425
HV-RPLM-1174-?	16 1/2	74	29	\$1,579	\$2,494
HV-RPLM-1180-?	16 1/2	80	29	\$1,982	\$3,128
HV-RPLM-1186-?	16 1/2	86	29	\$2,024	\$3,196

- 80" and 86" Troughs include an additional leg support mounted in the middle of trough for additional structural support.
- Includes all required metal brackets and adjustable glides.
- Edges are DeskMakers standard 2MM PVC edgebanding for both TFL and HPL finishes.

Raised Panel Trough Spanning Section

11" High Center Panel (6" high above trough top)

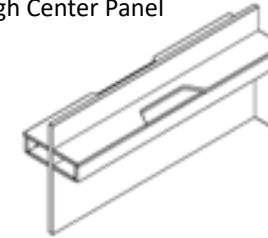


Model Number	Width	Length	Height	TFL (T)	HPL (H)
HV-RPLS-1150-?	16 1/2	50	29	\$887	\$1,400
HV-RPLS-1156-?	16 1/2	56	29	\$912	\$1,441
HV-RPLS-1162-?	16 1/2	62	29	\$956	\$1,508
HV-RPLS-1168-?	16 1/2	68	29	\$1,060	\$1,675
HV-RPLS-1174-?	16 1/2	74	29	\$1,102	\$1,741
HV-RPLS-1180-?	16 1/2	80	29	\$1,504	\$2,376
HV-RPLS-1186-?	16 1/2	86	29	\$1,548	\$2,445

- 80" and 86" Troughs include an additional leg support mounted in the middle of trough for additional structural support.
- Includes all required metal brackets and adjustable glides.
- Edges are DeskMakers standard 2MM PVC edgebanding for both TFL and HPL finishes.

Partition Trough End Section

29" High Center Panel

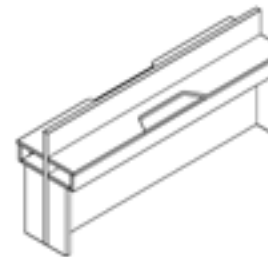


Model Number	Width	Length	Height	TFL (T)	HPL (H)
HV-PRTE-2950-?	16 1/2	50	29	\$1,267	\$2,000
HV-PRTE-2956-?	16 1/2	56	29	\$1,299	\$2,052
HV-PRTE-2962-?	16 1/2	62	29	\$1,351	\$2,132
HV-PRTE-2968-?	16 1/2	68	29	\$1,464	\$2,312
HV-PRTE-2974-?	16 1/2	74	29	\$1,517	\$2,392
HV-PRTE-2980-?	16 1/2	80	29	\$1,686	\$2,662
HV-PRTE-2986-?	16 1/2	86	29	\$1,738	\$2,745

- Includes all required metal brackets and adjustable glides.
- Edges are DeskMakers standard 2MM PVC edgebanding for both TFL and HPL finishes.

Partition Trough Middle Section

29" High Center Panel

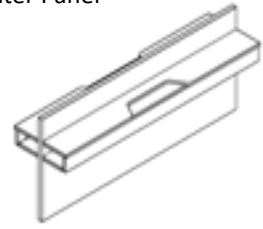


Model Number	Width	Length	Height	TFL (T)	HPL (H)
HV-PRTM-2950-?	16 1/2	50	29	\$1,503	\$2,374
HV-PRTM-2956-?	16 1/2	56	29	\$1,538	\$2,427
HV-PRTM-2962-?	16 1/2	62	29	\$1,588	\$2,509
HV-PRTM-2968-?	16 1/2	68	29	\$1,700	\$2,686
HV-PRTM-2974-?	16 1/2	74	29	\$1,753	\$2,768
HV-PRTM-2980-?	16 1/2	80	29	\$1,923	\$3,039
HV-PRTM-2986-?	16 1/2	86	29	\$1,975	\$3,119

- Includes all required metal brackets and adjustable glides.
- Edges are DeskMakers standard 2MM PVC edgebanding for both TFL and HPL finishes.

Partition Trough Spanning Section

29" High Center Panel

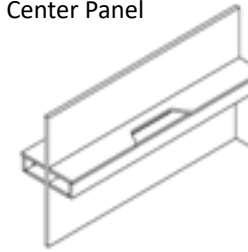


Model Number	Width	Length	Height	TFL (T)	HPL (H)
HV-PRTS-2950-?	16 1/2	50	29	\$1,030	\$1,623
HV-PRTS-2956-?	16 1/2	56	29	\$1,061	\$1,676
HV-PRTS-2962-?	16 1/2	62	29	\$1,113	\$1,756
HV-PRTS-2968-?	16 1/2	68	29	\$1,225	\$1,935
HV-PRTS-2974-?	16 1/2	74	29	\$1,277	\$2,015
HV-PRTS-2980-?	16 1/2	80	29	\$1,448	\$2,286
HV-PRTS-2986-?	16 1/2	86	29	\$1,500	\$2,369

- Includes all required metal brackets and adjustable glides.
 - Edges are DeskMakers standard 2MM PVC edgebanding for both TFL and HPL finishes.

Partition Trough End Section

36" High Center Panel

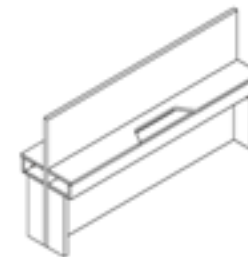


Model Number	Width	Length	Height	TFL (T)	HPL (H)
HV-PRTE-3650-?	16 1/2	50	36	\$1,330	\$2,098
HV-PRTE-3656-?	16 1/2	56	36	\$1,366	\$2,156
HV-PRTE-3662-?	16 1/2	62	36	\$1,421	\$2,241
HV-PRTE-3668-?	16 1/2	68	36	\$1,536	\$2,425
HV-PRTE-3674-?	16 1/2	74	36	\$1,591	\$2,510
HV-PRTE-3680-?	16 1/2	80	36	\$1,763	\$2,787
HV-PRTE-3686-?	16 1/2	86	36	\$1,819	\$2,874

- Includes all required metal brackets and adjustable glides.
 - Edges are DeskMakers standard 2MM PVC edgebanding for both TFL and HPL finishes.

Partition Trough Middle Section

36" High Center Panel

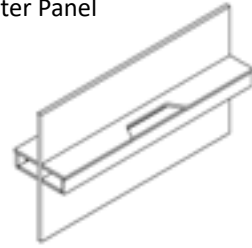


Model Number	Width	Length	Height	TFL (T)	HPL (H)
HV-PRTM-3650-?	16 1/2	50	36	\$1,568	\$2,474
HV-PRTM-3656-?	16 1/2	56	36	\$1,602	\$2,530
HV-PRTM-3662-?	16 1/2	62	36	\$1,657	\$2,616
HV-PRTM-3668-?	16 1/2	68	36	\$1,773	\$2,799
HV-PRTM-3674-?	16 1/2	74	36	\$1,830	\$2,886
HV-PRTM-3680-?	16 1/2	80	36	\$2,004	\$3,163
HV-PRTM-3686-?	16 1/2	86	36	\$2,057	\$3,249

- Includes all required metal brackets and adjustable glides.
 - Edges are DeskMakers standard 2MM PVC edgebanding for both TFL and HPL finishes.

Partition Trough Spanning Section

36" High Center Panel

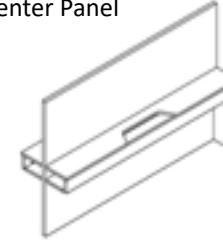


Model Number	Width	Length	Height	TFL (T)	HPL (H)
HV-PRTS-3650-?	16 1/2	50	36	\$1,090	\$1,723
HV-PRTS-3656-?	16 1/2	56	36	\$1,126	\$1,779
HV-PRTS-3662-?	16 1/2	62	36	\$1,182	\$1,865
HV-PRTS-3668-?	16 1/2	68	36	\$1,297	\$2,048
HV-PRTS-3674-?	16 1/2	74	36	\$1,352	\$2,136
HV-PRTS-3680-?	16 1/2	80	36	\$1,528	\$2,412
HV-PRTS-3686-?	16 1/2	86	36	\$1,581	\$2,495

- Includes all required metal brackets and adjustable glides.
 - Edges are DeskMakers standard 2MM PVC edgebanding for both TFL and HPL finishes.

Partition Trough End Section

42" High Center Panel

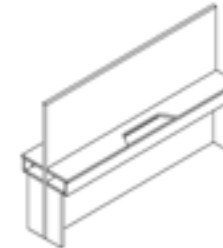


Model Number	Width	Length	Height	TFL (T)	HPL (H)
HV-PRTE-4250-?	16 1/2	50	42	\$1,388	\$2,192
HV-PRTE-4256-?	16 1/2	56	42	\$1,427	\$2,251
HV-PRTE-4262-?	16 1/2	62	42	\$1,484	\$2,344
HV-PRTE-4268-?	16 1/2	68	42	\$1,602	\$2,530
HV-PRTE-4274-?	16 1/2	74	42	\$1,658	\$2,621
HV-PRTE-4280-?	16 1/2	80	42	\$1,837	\$2,901
HV-PRTE-4286-?	16 1/2	86	42	\$1,894	\$2,990

- Includes all required metal brackets and adjustable glides.
 - Edges are DeskMakers standard 2MM PVC edgebanding for both TFL and HPL finishes.

Partition Trough Middle Section

42" High Center Panel

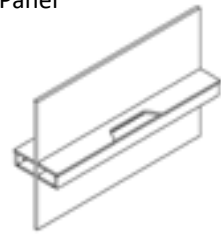


Model Number	Width	Length	Height	TFL (T)	HPL (H)
HV-PRTM-4250-?	16 1/2	50	42	\$1,625	\$2,566
HV-PRTM-4256-?	16 1/2	56	42	\$1,663	\$2,628
HV-PRTM-4262-?	16 1/2	62	42	\$1,723	\$2,718
HV-PRTM-4268-?	16 1/2	68	42	\$1,840	\$2,905
HV-PRTM-4274-?	16 1/2	74	42	\$1,899	\$2,996
HV-PRTM-4280-?	16 1/2	80	42	\$2,073	\$3,275
HV-PRTM-4286-?	16 1/2	86	42	\$2,133	\$3,367

- Includes all required metal brackets and adjustable glides.
 - Edges are DeskMakers standard 2MM PVC edgebanding for both TFL and HPL finishes.

Partition Trough Spanning Section

42" High Center Panel

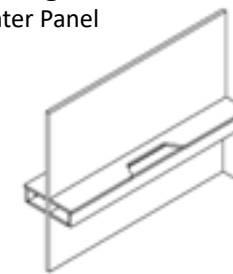


Model Number	Width	Length	Height	TFL (T)	HPL (H)
HV-PRTS-4250-?	16 1/2	50	42	\$1,149	\$1,815
HV-PRTS-4256-?	16 1/2	56	42	\$1,188	\$1,877
HV-PRTS-4262-?	16 1/2	62	42	\$1,246	\$1,967
HV-PRTS-4268-?	16 1/2	68	42	\$1,364	\$2,154
HV-PRTS-4274-?	16 1/2	74	42	\$1,423	\$2,245
HV-PRTS-4280-?	16 1/2	80	42	\$1,598	\$2,524
HV-PRTS-4286-?	16 1/2	86	42	\$1,656	\$2,615

- Includes all required metal brackets and adjustable glides.
 - Edges are DeskMakers standard 2MM PVC edgebanding for both TFL and HPL finishes.

Partition Trough End Section

48" High Center Panel

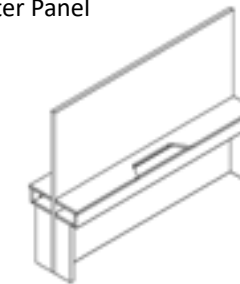


Model Number	Width	Length	Height	TFL (T)	HPL (H)
HV-PRTE-4850-?	16 1/2	50	48	\$1,447	\$2,283
HV-PRTE-4856-?	16 1/2	56	48	\$1,489	\$2,348
HV-PRTE-4862-?	16 1/2	62	48	\$1,548	\$2,444
HV-PRTE-4868-?	16 1/2	68	48	\$1,668	\$2,636
HV-PRTE-4874-?	16 1/2	74	48	\$1,729	\$2,728
HV-PRTE-4880-?	16 1/2	80	48	\$1,909	\$3,016
HV-PRTE-4886-?	16 1/2	86	48	\$1,969	\$3,110

- Includes all required metal brackets and adjustable glides.
 - Edges are DeskMakers standard 2MM PVC edgebanding for both TFL and HPL finishes.

Partition Trough Middle Section

48" High Center Panel

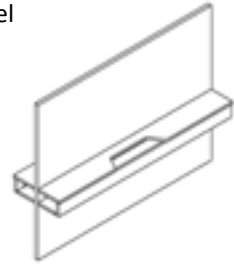


Model Number	Width	Length	Height	TFL (T)	HPL (H)
HV-PRTM-4850-?	16 1/2	50	48	\$1,684	\$2,660
HV-PRTM-4856-?	16 1/2	56	48	\$1,726	\$2,724
HV-PRTM-4862-?	16 1/2	62	48	\$1,786	\$2,821
HV-PRTM-4868-?	16 1/2	68	48	\$1,907	\$3,010
HV-PRTM-4874-?	16 1/2	74	48	\$1,968	\$3,105
HV-PRTM-4880-?	16 1/2	80	48	\$2,146	\$3,390
HV-PRTM-4886-?	16 1/2	86	48	\$2,206	\$3,482

- Includes all required metal brackets and adjustable glides.
 - Edges are DeskMakers standard 2MM PVC edgebanding for both TFL and HPL finishes.

Partition Trough Spanning Section

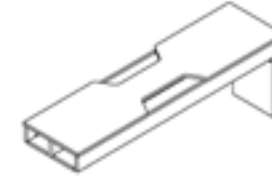
48" High Center Panel



Model Number	Width	Length	Height	TFL (T)	HPL (H)
HV-PRTS-4850-?	16 1/2	50	48	\$1,208	\$1,906
HV-PRTS-4856-?	16 1/2	56	48	\$1,248	\$1,971
HV-PRTS-4862-?	16 1/2	62	48	\$1,310	\$2,068
HV-PRTS-4868-?	16 1/2	68	48	\$1,431	\$2,259
HV-PRTS-4874-?	16 1/2	74	48	\$1,492	\$2,356
HV-PRTS-4880-?	16 1/2	80	48	\$1,671	\$2,637
HV-PRTS-4886-?	16 1/2	86	48	\$1,730	\$2,733

- Includes all required metal brackets and adjustable glides.
 - Edges are DeskMakers standard 2MM PVC edgebanding for both TFL and HPL finishes.

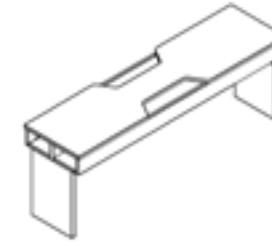
Platform 120 Trough End Section



Model Number	Width	Length	Height	TFL (T)	HPL (H)
For 42" 120 Degree Worksurfaces					
HV-L12E-2339-?	16 1/2	39 1/4	23	\$965	\$1,523
For 48" 120 Degree Worksurfaces					
HV-L12E-2345-?	16 1/2	45 1/4	23	\$984	\$1,556
For 54" 120 Degree Worksurfaces					
HV-L12E-2351-?	16 1/2	51 1/4	23	\$1,024	\$1,619

- Includes all required metal brackets and adjustable glides.
 - Edges are DeskMakers standard 2MM PVC edgebanding for both TFL and HPL finishes.

Platform 120 Trough Middle Section



Model Number	Width	Length	Height	TFL (T)	HPL (H)
For 42" 120 Degree Worksurfaces					
HV-L12M-2339-?	16 1/2	39 1/4	23	\$1,202	\$1,899
For 48" 120 Degree Worksurfaces					
HV-L12M-2345-?	16 1/2	45 1/4	23	\$1,224	\$1,932
For 54" 120 Degree Worksurfaces					
HV-L12M-2351-?	16 1/2	51 1/4	23	\$1,264	\$1,995

- Includes all required metal brackets and adjustable glides.
 - Edges are DeskMakers standard 2MM PVC edgebanding for both TFL and HPL finishes.

Platform 120 Trough Triangle Connecting Top

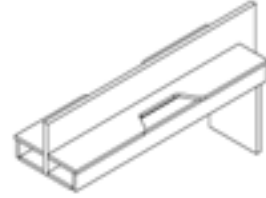


Model Number	Width	Length	TFL (T)	HPL (H)
HV-TRCT-1616-?	16 1/2	16 1/2	\$223	\$353

- Triangle Connecting Top is 3/4" thick material. Edges are DeskMakers standard 2MM PVC edgebanding for both TFL and HPL finishes.
 - Includes L-Brackets to secure top to Platform Trough sections.

Raised Panel 120 Trough End Section

11" High Center Panel (6" high above trough top)

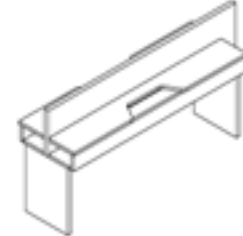


Model Number	Width	Trough Length	Center Panel Length	Height	TFL (T)	HPL (H)
For 42" 120 Degree Worksurfaces						
HV-R12E-1139-?	16 1/2	39 1/4	43 5/8	29	\$1,087	\$1,718
For 48" 120 Degree Worksurfaces						
HV-R12E-1145-?	16 1/2	45 1/4	49 5/8	29	\$1,113	\$1,756
For 54" 120 Degree Worksurfaces						
HV-R12E-1151-?	16 1/2	51 1/4	55 5/8	29	\$1,158	\$1,826

- Includes all required metal brackets and adjustable glides.
 - Edges are DeskMakers standard 2MM PVC edgebanding for both TFL and HPL finishes.

Raised Panel 120 Trough Middle Section

11" High Center Panel (6" high above trough top)

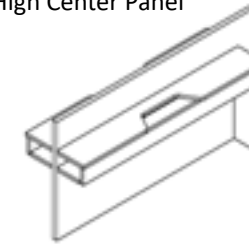


Model Number	Width	Trough Length	Center Panel Length	Height	TFL (T)	HPL (H)
For 42" 120 Degree Worksurfaces						
HV-R12M-1139-?	16 1/2	39 1/4	43 5/8	29	\$1,326	\$2,094
For 48" 120 Degree Worksurfaces						
HV-R12M-1145-?	16 1/2	45 1/4	49 5/8	29	\$1,351	\$2,132
For 54" 120 Degree Worksurfaces						
HV-R12M-1151-?	16 1/2	51 1/4	55 5/8	29	\$1,394	\$2,203

- Includes all required metal brackets and adjustable glides.
 - Edges are DeskMakers standard 2MM PVC edgebanding for both TFL and HPL finishes.

Partition Trough End Section

29" High Center Panel

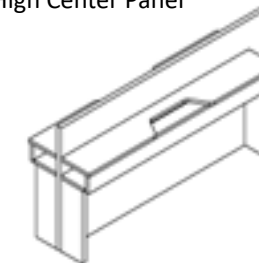


Model Number	Width	Trough Length	Center Panel Length	Height	TFL (T)	HPL (H)
For 42" 120 Degree Worksurfaces						
HV-P12E-2939-?	16 1/2	39 1/4	43 5/8	29	\$1,223	\$1,929
For 48" 120 Degree Worksurfaces						
HV-P12E-2945-?	16 1/2	45 1/4	49 5/8	29	\$1,254	\$1,980
For 54" 120 Degree Worksurfaces						
HV-P12E-2951-?	16 1/2	51 1/4	55 5/8	29	\$1,306	\$2,061

- Includes all required metal brackets and adjustable glides.
 - Edges are DeskMakers standard 2MM PVC edgebanding for both TFL and HPL finishes.

Partition Trough Middle Section

29" High Center Panel

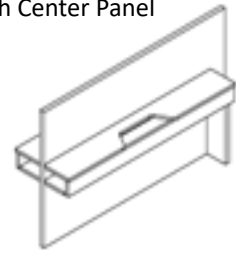


Model Number	Width	Trough Length	Center Panel Length	Height	TFL (T)	HPL (H)
For 42" 120 Degree Worksurfaces						
HV-P12M-2939-?	16 1/2	39 1/4	43 5/8	29	\$1,458	\$2,306
For 48" 120 Degree Worksurfaces						
HV-P12M-2945-?	16 1/2	45 1/4	49 5/8	29	\$1,493	\$2,357
For 54" 120 Degree Worksurfaces						
HV-P12M-2951-?	16 1/2	51 1/4	55 5/8	29	\$1,543	\$2,438

- Includes all required metal brackets and adjustable glides.
 - Edges are DeskMakers standard 2MM PVC edgebanding for both TFL and HPL finishes.

Partition Trough End Section

36" High Center Panel

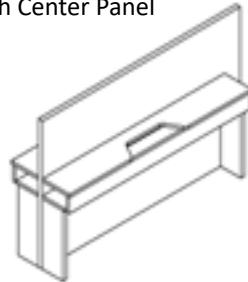


Model Number	Width	Trough Length	Center Panel Length	Height	TFL (T)	HPL (H)
For 42" 120 Degree Worksurfaces						
HV-P12E-3639-?	16 1/2	39 1/4	43 5/8	36	\$1,282	\$2,021
For 48" 120 Degree Worksurfaces						
HV-P12E-3645-?	16 1/2	45 1/4	49 5/8	36	\$1,318	\$2,079
For 54" 120 Degree Worksurfaces						
HV-P12E-3651-?	16 1/2	51 1/4	55 5/8	36	\$1,372	\$2,165

- Includes all required metal brackets and adjustable glides.
 - Edges are DeskMakers standard 2MM PVC edgebanding for both TFL and HPL finishes.

Partition Trough Middle Section

36" High Center Panel

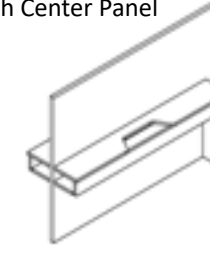


Model Number	Width	Trough Length	Center Panel Length	Height	TFL (T)	HPL (H)
For 42" 120 Degree Worksurfaces						
HV-P12M-3639-?	16 1/2	39 1/4	43 5/8	36	\$1,520	\$2,398
For 48" 120 Degree Worksurfaces						
HV-P12M-3645-?	16 1/2	45 1/4	49 5/8	36	\$1,555	\$2,454
For 54" 120 Degree Worksurfaces						
HV-P12M-3651-?	16 1/2	51 1/4	55 5/8	36	\$1,609	\$2,542

- Includes all required metal brackets and adjustable glides.
 - Edges are DeskMakers standard 2MM PVC edgebanding for both TFL and HPL finishes.

Partition Trough End Section

42" High Center Panel

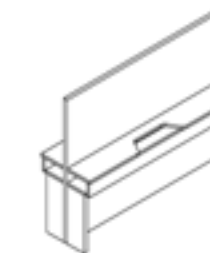


Model Number	Width	Trough Length	Center Panel Length	Height	TFL (T)	HPL (H)
For 42" 120 Degree Worksurfaces						
HV-P12E-4239-?	16 1/2	39 1/4	43 5/8	42	\$1,338	\$2,112
For 48" 120 Degree Worksurfaces						
HV-P12E-4245-?	16 1/2	45 1/4	49 5/8	42	\$1,376	\$2,171
For 54" 120 Degree Worksurfaces						
HV-P12E-4251-?	16 1/2	51 1/4	55 5/8	42	\$1,433	\$2,262

- Includes all required metal brackets and adjustable glides.
 - Edges are DeskMakers standard 2MM PVC edgebanding for both TFL and HPL finishes.

Partition Trough Middle Section

42" High Center Panel

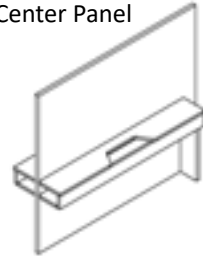


Model Number	Width	Trough Length	Center Panel Length	Height	TFL (T)	HPL (H)
For 42" 120 Degree Worksurfaces						
HV-P12M-4239-?	16 1/2	39 1/4	43 5/8	42	\$1,575	\$2,486
For 48" 120 Degree Worksurfaces						
HV-P12M-4245-?	16 1/2	45 1/4	49 5/8	42	\$1,612	\$2,548
For 54" 120 Degree Worksurfaces						
HV-P12M-4251-?	16 1/2	51 1/4	55 5/8	42	\$1,673	\$2,639

- Includes all required metal brackets and adjustable glides.
 - Edges are DeskMakers standard 2MM PVC edgebanding for both TFL and HPL finishes.

Partition Trough End Section

48" High Center Panel

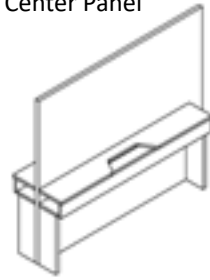


Model Number	Width	Trough Length	Center Panel Length	Height	TFL (T)	HPL (H)
For 42" 120 Degree Worksurfaces						
HV-P12E-4839-?	16 1/2	39 1/4	43 5/8	48	\$1,392	\$2,200
For 48" 120 Degree Worksurfaces						
HV-P12E-4845-?	16 1/2	45 1/4	49 5/8	48	\$1,434	\$2,265
For 54" 120 Degree Worksurfaces						
HV-P12E-4851-?	16 1/2	51 1/4	55 5/8	48	\$1,494	\$2,360

- Includes all required metal brackets and adjustable glides.
- Edges are DeskMakers standard 2MM PVC edgebanding for both TFL and HPL finishes.

Partition Trough Middle Section

48" High Center Panel

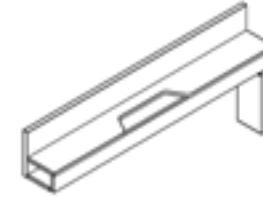


Model Number	Width	Trough Length	Center Panel Length	Height	TFL (T)	HPL (H)
For 42" 120 Degree Worksurfaces						
HV-P12M-4839-?	16 1/2	39 1/4	43 5/8	48	\$1,633	\$2,575
For 48" 120 Degree Worksurfaces						
HV-P12M-4845-?	16 1/2	45 1/4	49 5/8	48	\$1,673	\$2,640
For 54" 120 Degree Worksurfaces						
HV-P12M-4851-?	16 1/2	51 1/4	55 5/8	48	\$1,733	\$2,737

- Includes all required metal brackets and adjustable glides.
- Edges are DeskMakers standard 2MM PVC edgebanding for both TFL and HPL finishes.

Raised Panel Trough End Section

11" High Panel (6" high above trough top)

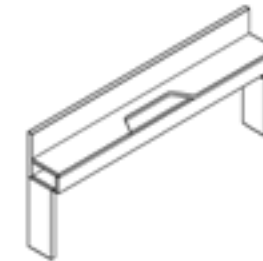


Model Number	Width	Length	Height	TFL (T)	HPL (H)
HV-RSSE-1150-?	8 7/8	50	29	\$775	\$1,225
HV-RSSE-1156-?	8 7/8	56	29	\$790	\$1,249
HV-RSSE-1162-?	8 7/8	62	29	\$826	\$1,304
HV-RSSE-1168-?	8 7/8	68	29	\$882	\$1,391
HV-RSSE-1174-?	8 7/8	74	29	\$915	\$1,446
HV-RSSE-1180-?	8 7/8	80	29	\$1,190	\$1,877
HV-RSSE-1186-?	8 7/8	86	29	\$1,224	\$1,932

- 80" and 86" Troughs include an additional leg support mounted in the middle of trough for additional structural support.
- Includes all required metal brackets and adjustable glides.
- Edges are DeskMakers standard 2MM PVC edgebanding for both TFL and HPL finishes.

Raised Panel Trough Middle Section

11" High Panel (6" high above trough top)

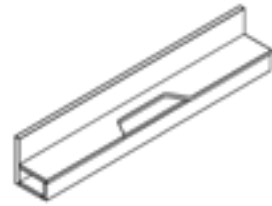


Model Number	Width	Length	Height	TFL (T)	HPL (H)
HV-RSSM-1150-?	8 7/8	50	29	\$893	\$1,411
HV-RSSM-1156-?	8 7/8	56	29	\$910	\$1,438
HV-RSSM-1162-?	8 7/8	62	29	\$944	\$1,491
HV-RSSM-1168-?	8 7/8	68	29	\$1,000	\$1,578
HV-RSSM-1174-?	8 7/8	74	29	\$1,036	\$1,632
HV-RSSM-1180-?	8 7/8	80	29	\$1,427	\$2,253
HV-RSSM-1186-?	8 7/8	86	29	\$1,461	\$2,309

- 80" and 86" Troughs include an additional leg support mounted in the middle of trough for additional structural support.
- Includes all required metal brackets and adjustable glides.
- Edges are DeskMakers standard 2MM PVC edgebanding for both TFL and HPL finishes.

Raised Panel Trough Spanning Section

11" High Panel (6" high above trough top)

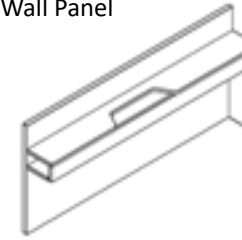


Model Number	Width	Length	Height	TFL (T)	HPL (H)
HV-RSSS-1150-?	8 7/8	50	29	\$657	\$1,036
HV-RSSS-1156-?	8 7/8	56	29	\$672	\$1,061
HV-RSSS-1162-?	8 7/8	62	29	\$708	\$1,116
HV-RSSS-1168-?	8 7/8	68	29	\$762	\$1,204
HV-RSSS-1174-?	8 7/8	74	29	\$797	\$1,257
HV-RSSS-1180-?	8 7/8	80	29	\$1,072	\$1,690
HV-RSSS-1186-?	8 7/8	86	29	\$1,106	\$1,743

- 80" and 86" Troughs include an additional leg support mounted in the middle of trough for additional structural support.
- Includes all required metal brackets and adjustable glides.
- Edges are DeskMakers standard 2MM PVC edgebanding for both TFL and HPL finishes.

Partition Trough End Section

29" High Wall Panel

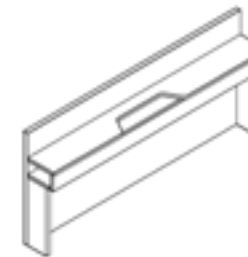


Model Number	Width	Length	Height	TFL (T)	HPL (H)
HV-PSSE-2950-?	8 7/8	50	29	\$918	\$1,447
HV-PSSE-2956-?	8 7/8	56	29	\$939	\$1,484
HV-PSSE-2962-?	8 7/8	62	29	\$982	\$1,552
HV-PSSE-2968-?	8 7/8	68	29	\$1,046	\$1,653
HV-PSSE-2974-?	8 7/8	74	29	\$1,089	\$1,720
HV-PSSE-2980-?	8 7/8	80	29	\$1,250	\$1,976
HV-PSSE-2986-?	8 7/8	86	29	\$1,295	\$2,044

- Includes all required metal brackets and adjustable glides.
- Edges are DeskMakers standard 2MM PVC edgebanding for both TFL and HPL finishes.

Partition Trough Middle Section

29" High Wall Panel

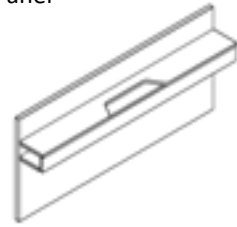


Model Number	Width	Length	Height	TFL (T)	HPL (H)
HV-PSSM-2950-?	8 7/8	50	29	\$1,036	\$1,635
HV-PSSM-2956-?	8 7/8	56	29	\$1,060	\$1,671
HV-PSSM-2962-?	8 7/8	62	29	\$1,100	\$1,740
HV-PSSM-2968-?	8 7/8	68	29	\$1,166	\$1,841
HV-PSSM-2974-?	8 7/8	74	29	\$1,208	\$1,906
HV-PSSM-2980-?	8 7/8	80	29	\$1,371	\$2,164
HV-PSSM-2986-?	8 7/8	86	29	\$1,414	\$2,232

- Includes all required metal brackets and adjustable glides.
- Edges are DeskMakers standard 2MM PVC edgebanding for both TFL and HPL finishes.

Partition Trough Spanning Section

29" High Wall Panel

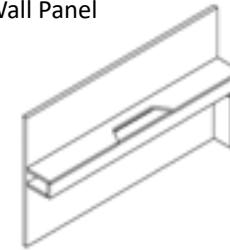


Model Number	Width	Length	Height	TFL (T)	HPL (H)
HV-PSSS-2950-?	8 7/8	50	29	\$798	\$1,258
HV-PSSS-2956-?	8 7/8	56	29	\$821	\$1,296
HV-PSSS-2962-?	8 7/8	62	29	\$864	\$1,364
HV-PSSS-2968-?	8 7/8	68	29	\$928	\$1,464
HV-PSSS-2974-?	8 7/8	74	29	\$971	\$1,531
HV-PSSS-2980-?	8 7/8	80	29	\$1,132	\$1,788
HV-PSSS-2986-?	8 7/8	86	29	\$1,174	\$1,853

- Includes all required metal brackets and adjustable glides.
 - Edges are DeskMakers standard 2MM PVC edgebanding for both TFL and HPL finishes.

Partition Trough End Section

36" High Wall Panel

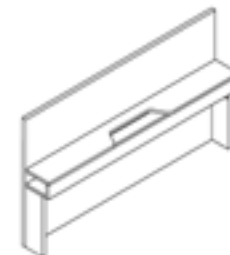


Model Number	Width	Length	Height	TFL (T)	HPL (H)
HV-PSSE-3650-?	8 7/8	50	36	\$980	\$1,546
HV-PSSE-3656-?	8 7/8	56	36	\$1,007	\$1,587
HV-PSSE-3662-?	8 7/8	62	36	\$1,051	\$1,661
HV-PSSE-3668-?	8 7/8	68	36	\$1,119	\$1,767
HV-PSSE-3674-?	8 7/8	74	36	\$1,165	\$1,838
HV-PSSE-3680-?	8 7/8	80	36	\$1,330	\$2,100
HV-PSSE-3686-?	8 7/8	86	36	\$1,375	\$2,170

- Includes all required metal brackets and adjustable glides.
 - Edges are DeskMakers standard 2MM PVC edgebanding for both TFL and HPL finishes.

Partition Trough Middle Section

36" High Wall Panel

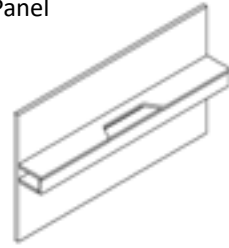


Model Number	Width	Length	Height	TFL (T)	HPL (H)
HV-PSSM-3650-?	8 7/8	50	36	\$1,097	\$1,734
HV-PSSM-3656-?	8 7/8	56	36	\$1,125	\$1,776
HV-PSSM-3662-?	8 7/8	62	36	\$1,171	\$1,849
HV-PSSM-3668-?	8 7/8	68	36	\$1,237	\$1,955
HV-PSSM-3674-?	8 7/8	74	36	\$1,283	\$2,024
HV-PSSM-3680-?	8 7/8	80	36	\$1,448	\$2,286
HV-PSSM-3686-?	8 7/8	86	36	\$1,494	\$2,360

- Includes all required metal brackets and adjustable glides.
 - Edges are DeskMakers standard 2MM PVC edgebanding for both TFL and HPL finishes.

Partition Trough Spanning Section

36" High Wall Panel

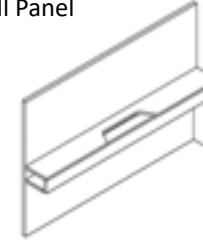


Model Number	Width	Length	Height	TFL (T)	HPL (H)
HV-PSSS-3650-?	8 7/8	50	36	\$860	\$1,357
HV-PSSS-3656-?	8 7/8	56	36	\$887	\$1,400
HV-PSSS-3662-?	8 7/8	62	36	\$933	\$1,472
HV-PSSS-3668-?	8 7/8	68	36	\$1,000	\$1,578
HV-PSSS-3674-?	8 7/8	74	36	\$1,046	\$1,652
HV-PSSS-3680-?	8 7/8	80	36	\$1,210	\$1,911
HV-PSSS-3686-?	8 7/8	86	36	\$1,256	\$1,983

- Includes all required metal brackets and adjustable glides.
 - Edges are DeskMakers standard 2MM PVC edgebanding for both TFL and HPL finishes.

Partition Trough End Section

42" High Wall Panel

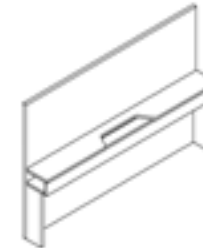


Model Number	Width	Length	Height	TFL (T)	HPL (H)
HV-PSSE-4250-?	8 7/8	50	42	\$1,038	\$1,638
HV-PSSE-4256-?	8 7/8	56	42	\$1,069	\$1,685
HV-PSSE-4262-?	8 7/8	62	42	\$1,116	\$1,762
HV-PSSE-4268-?	8 7/8	68	42	\$1,185	\$1,873
HV-PSSE-4274-?	8 7/8	74	42	\$1,234	\$1,947
HV-PSSE-4280-?	8 7/8	80	42	\$1,401	\$2,214
HV-PSSE-4286-?	8 7/8	86	42	\$1,450	\$2,289

- Includes all required metal brackets and adjustable glides.
 - Edges are DeskMakers standard 2MM PVC edgebanding for both TFL and HPL finishes.

Partition Trough Middle Section

42" High Wall Panel

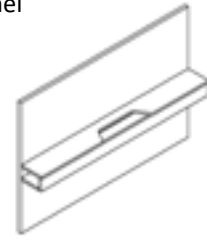


Model Number	Width	Length	Height	TFL (T)	HPL (H)
HV-PSSM-4250-?	8 7/8	50	42	\$1,158	\$1,826
HV-PSSM-4256-?	8 7/8	56	42	\$1,187	\$1,874
HV-PSSM-4262-?	8 7/8	62	42	\$1,236	\$1,950
HV-PSSM-4268-?	8 7/8	68	42	\$1,305	\$2,059
HV-PSSM-4274-?	8 7/8	74	42	\$1,352	\$2,136
HV-PSSM-4280-?	8 7/8	80	42	\$1,522	\$2,401
HV-PSSM-4286-?	8 7/8	86	42	\$1,569	\$2,477

- Includes all required metal brackets and adjustable glides.
 - Edges are DeskMakers standard 2MM PVC edgebanding for both TFL and HPL finishes.

Partition Trough Spanning Section

42" High Wall Panel

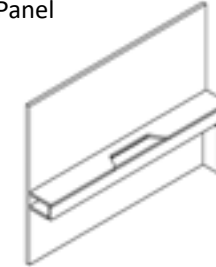


Model Number	Width	Length	Height	TFL (T)	HPL (H)
HV-PSSS-4250-?	8 7/8	50	42	\$919	\$1,450
HV-PSSS-4256-?	8 7/8	56	42	\$948	\$1,497
HV-PSSS-4262-?	8 7/8	62	42	\$997	\$1,573
HV-PSSS-4268-?	8 7/8	68	42	\$1,067	\$1,684
HV-PSSS-4274-?	8 7/8	74	42	\$1,116	\$1,761
HV-PSSS-4280-?	8 7/8	80	42	\$1,282	\$2,023
HV-PSSS-4286-?	8 7/8	86	42	\$1,332	\$2,101

- Includes all required metal brackets and adjustable glides.
 - Edges are DeskMakers standard 2MM PVC edgebanding for both TFL and HPL finishes.

Partition Trough End Section

48" High Wall Panel

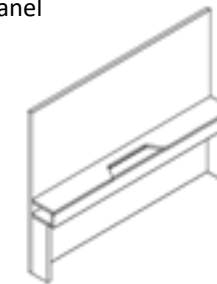


Model Number	Width	Length	Height	TFL (T)	HPL (H)
HV-PSSE-4850-?	8 7/8	50	48	\$1,096	\$1,731
HV-PSSE-4856-?	8 7/8	56	48	\$1,129	\$1,782
HV-PSSE-4862-?	8 7/8	62	48	\$1,181	\$1,862
HV-PSSE-4868-?	8 7/8	68	48	\$1,251	\$1,977
HV-PSSE-4874-?	8 7/8	74	48	\$1,303	\$2,058
HV-PSSE-4880-?	8 7/8	80	48	\$1,473	\$2,326
HV-PSSE-4886-?	8 7/8	86	48	\$1,526	\$2,409

- Includes all required metal brackets and adjustable glides.
 - Edges are DeskMakers standard 2MM PVC edgebanding for both TFL and HPL finishes.

Partition Trough Middle Section

48" High Wall Panel

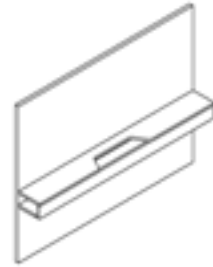


Model Number	Width	Length	Height	TFL (T)	HPL (H)
HV-PSSM-4850-?	8 7/8	50	48	\$1,217	\$1,918
HV-PSSM-4856-?	8 7/8	56	48	\$1,247	\$1,970
HV-PSSM-4862-?	8 7/8	62	48	\$1,299	\$2,050
HV-PSSM-4868-?	8 7/8	68	48	\$1,372	\$2,165
HV-PSSM-4874-?	8 7/8	74	48	\$1,423	\$2,245
HV-PSSM-4880-?	8 7/8	80	48	\$1,594	\$2,516
HV-PSSM-4886-?	8 7/8	86	48	\$1,644	\$2,597

- Includes all required metal brackets and adjustable glides.
 - Edges are DeskMakers standard 2MM PVC edgebanding for both TFL and HPL finishes.

Partition Trough Spanning Section

48" High Wall Panel



Model Number	Width	Length	Height	TFL (T)	HPL (H)
HV-PSSS-4850-?	8 7/8	50	48	\$977	\$1,543
HV-PSSS-4856-?	8 7/8	56	48	\$1,010	\$1,593
HV-PSSS-4862-?	8 7/8	62	48	\$1,061	\$1,676
HV-PSSS-4868-?	8 7/8	68	48	\$1,132	\$1,788
HV-PSSS-4874-?	8 7/8	74	48	\$1,185	\$1,871
HV-PSSS-4880-?	8 7/8	80	48	\$1,353	\$2,139
HV-PSSS-4886-?	8 7/8	86	48	\$1,405	\$2,218

- Includes all required metal brackets and adjustable glides.
- Edges are DeskMakers standard 2MM PVC edgebanding for both TFL and HPL finishes.

Double Sided End Panel - 23" High

For use with Platform and Partition Troughs - Cannot be used on Raised Panel Troughs

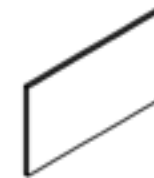


Model Number	Width	Height	TFL (T)	HPL (H)
HV-EPL1-2316-?	16.5	23	\$193	\$306

- End Panel is 1-1/8" thick material.
- Includes two adjustable glides.
- Edges are DeskMakers standard 2MM PVC edgebanding for both TFL and HPL finishes.
- Grain runs horizontal.

Double Sided End Panel - 29" High

For use with Raised Panel or Partition Troughs - Cannot be used on Platform Troughs

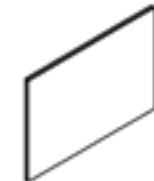


Model Number	Width	Height	TFL (T)	HPL (H)
HV-EPL1-2952-?	52	29	\$485	\$766
HV-EPL1-2964-?	64	29	\$555	\$875
HV-EPL1-2976-?	76	29	\$647	\$1,022

- End Panel is 1-1/8" thick material.
- Includes two adjustable glides.
- Edges are DeskMakers standard 2MM PVC edgebanding for both TFL and HPL finishes.
- Grain runs horizontal.

Double Sided End Panel - 36" High

For use with Partition Troughs: 36", 42" or 48" high

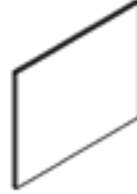


Model Number	Width	Height	TFL (T)	HPL (H)
HV-EPL1-3652-?	52	36	\$577	\$913
HV-EPL1-3664-?	64	36	\$656	\$1,034
HV-EPL1-3676-?	76	36	\$732	\$1,155

- End Panel is 1-1/8" thick material.
- Includes two adjustable glides.
- Edges are DeskMakers standard 2MM PVC edgebanding for both TFL and HPL finishes.
- Grain runs horizontal.

Double Sided End Panel - 42" High

For use with Partition Troughs: 42" & 48" high

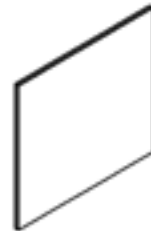


Model Number	Width	Height	TFL (T)	HPL (H)
HV-EPL1-4252-?	52	42	\$647	\$1,022
HV-EPL1-4264-?	64	42	\$723	\$1,143
HV-EPL1-4276-?	76	42	\$801	\$1,264

- End Panel is 1-1/8" thick material.
- Includes two adjustable glides.
- Edges are DeskMakers standard 2MM PVC edgebanding for both TFL and HPL finishes.
- Grain runs horizontal.

Double Sided End Panel - 48" High

For use with Partition Troughs: 48" high



Model Number	Width	Height	TFL (T)	HPL (H)
HV-EPL1-4852-?	52	48	\$716	\$1,132
HV-EPL1-4864-?	64	48	\$793	\$1,254
HV-EPL1-4876-?	76	48	\$870	\$1,375

- End Panel is 1-1/8" thick material.
- Includes two adjustable glides.
- Edges are DeskMakers standard 2MM PVC edgebanding for both TFL and HPL finishes.
- Grain runs horizontal.

Double Sided Connecting End Panel - 29" High

Used when connecting to Extension Panels

For use with Raised Panel or Partition Troughs



Model Number	Width	Height	TFL (T)	HPL (H)
HV-EPL3-2952-?	52	29	\$485	\$766
HV-EPL3-2964-?	64	29	\$555	\$875
HV-EPL3-2976-?	76	29	\$647	\$1,022

- End Panel is 1-1/8" thick material.
- Includes two adjustable glides.
- Edges are DeskMakers standard 2MM PVC edgebanding for both TFL and HPL finishes.
- Grain runs horizontal.

Double Sided Connecting End Panel - 36" High

Used when connecting to an Extension Panel

For use with Partition Troughs: 36", 42" or 48" high



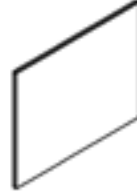
Model Number	Width	Height	TFL (T)	HPL (H)
HV-EPL3-3652-?	52	36	\$577	\$913
HV-EPL3-3664-?	64	36	\$656	\$1,034
HV-EPL3-3676-?	76	36	\$732	\$1,155

- End Panel is 1-1/8" thick material.
- Includes two adjustable glides.
- Edges are DeskMakers standard 2MM PVC edgebanding for both TFL and HPL finishes.
- Grain runs horizontal.

Double Sided Connecting End Panel - 42" High

Used when connecting to an Extension Panel

For use with Partition Troughs: 42" & 48" high



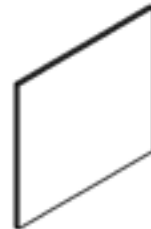
Model Number	Width	Height	TFL (T)	HPL (H)
HV-EPL3-4252-?	52	42	\$647	\$1,022
HV-EPL3-4264-?	64	42	\$723	\$1,143
HV-EPL3-4276-?	76	42	\$801	\$1,264

- End Panel is 1-1/8" thick material.
- Includes two adjustable glides.
- Edges are DeskMakers standard 2MM PVC edgebanding for both TFL and HPL finishes.
- Grain runs horizontal.

Double Sided Connecting End Panel - 48" High

Used when connecting to an Extension Panel

For use with Partition Troughs: 48" high



Model Number	Width	Height	TFL (T)	HPL (H)
HV-EPL3-4852-?	52	48	\$716	\$1,132
HV-EPL3-4864-?	64	48	\$793	\$1,254
HV-EPL3-4876-?	76	48	\$870	\$1,375

- End Panel is 1-1/8" thick material.
- Includes two adjustable glides.
- Edges are DeskMakers standard 2MM PVC edgebanding for both TFL and HPL finishes.
- Grain runs horizontal.

Single Sided End Panel - 29" High

For use with Single Sided Raised Panel or Partition Troughs

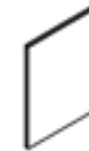


Model Number	Width	Height	TFL (T)	HPL (H)	
Left Model	Right Model				
HV-EPL2-2927-L-?	HV-EPL2-2927-R-?	26 1/2	29	\$341	\$539
HV-EPL2-2934-L-?	HV-EPL2-2934-R-?	33 1/2	29	\$388	\$613
HV-EPL2-2939-L-?	HV-EPL2-2939-R-?	38 1/2	29	\$453	\$715

- End Panel is 1-1/8" thick material.
- Includes two adjustable glides.
- Edges are DeskMakers standard 2MM PVC edgebanding for both TFL and HPL finishes.
- Grain runs horizontal.

Single Sided End Panel - 36" High

For use with Single Sided Partition Troughs: 36", 42" or 48" high



Model Number	Width	Height	TFL (T)	HPL (H)	
Left Model	Right Model				
HV-EPL2-3627-L-?	HV-EPL2-3627-R-?	26 1/2	36	\$406	\$640
HV-EPL2-3634-L-?	HV-EPL2-3634-R-?	33 1/2	36	\$459	\$724
HV-EPL2-3639-L-?	HV-EPL2-3639-R-?	38 1/2	36	\$513	\$812

- End Panel is 1-1/8" thick material.
- Includes two adjustable glides.
- Edges are DeskMakers standard 2MM PVC edgebanding for both TFL and HPL finishes.
- Grain runs horizontal.

Single Sided End Panel -42" High

For use with Single Sided Partition Troughs: 42" & 48" high



Model Number	Width	Height	TFL (T)	HPL (H)	
Left Model	Right Model				
HV-EPL2-4227-L-?	HV-EPL2-4227-R-?	26 1/2	42	\$453	\$715
HV-EPL2-4234-L-?	HV-EPL2-4234-R-?	33 1/2	42	\$508	\$801
HV-EPL2-4239-L-?	HV-EPL2-4239-R-?	38 1/2	42	\$561	\$884

- End Panel is 1-1/8" thick material.
- Includes two adjustable glides.
- Edges are DeskMakers standard 2MM PVC edgebanding for both TFL and HPL finishes.
- Grain runs horizontal.

Single Sided End Panel -48" High

For use with Single Sided Partition Troughs: 48" high



Model Number	Width	Height	TFL (T)	HPL (H)	
Left Model	Right Model				
HV-EPL2-4827-L-?	HV-EPL2-4827-R-?	26 1/2	48	\$502	\$793
HV-EPL2-4834-L-?	HV-EPL2-4834-R-?	33 1/2	48	\$557	\$878
HV-EPL2-4839-L-?	HV-EPL2-4839-R-?	38 1/2	48	\$610	\$963

- End Panel is 1-1/8" thick material.
- Includes two adjustable glides.
- Edges are DeskMakers standard 2MM PVC edgebanding for both TFL and HPL finishes.
- Grain runs horizontal.

Single Sided Connecting End Panel - 29" High

Used when connecting to an Extension Panel
For use with Single Sided Raised Panel or Partition Troughs

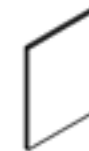


Model Number	Width	Height	TFL (T)	HPL (H)	
Left Model	Right Model				
HV-EPL4-2927-L-?	HV-EPL4-2927-R-?	26 1/2	29	\$341	\$539
HV-EPL4-2934-L-?	HV-EPL4-2934-R-?	33 1/2	29	\$388	\$613
HV-EPL4-2939-L-?	HV-EPL4-2939-R-?	38 1/2	29	\$453	\$715

- End Panel is 1-1/8" thick material.
- Includes two adjustable glides.
- Edges are DeskMakers standard 2MM PVC edgebanding for both TFL and HPL finishes.
- Grain runs horizontal.

Single Sided Connecting End Panel - 36" High

Used when connecting to an Extension Panel
For use with Single Sided Partition Troughs: 36", 42" or 48" high



Model Number	Width	Height	TFL (T)	HPL (H)	
Left Model	Right Model				
HV-EPL4-3627-L-?	HV-EPL4-3627-R-?	26 1/2	36	\$406	\$640
HV-EPL4-3634-L-?	HV-EPL4-3634-R-?	33 1/2	36	\$459	\$724
HV-EPL4-3639-L-?	HV-EPL4-3639-R-?	38 1/2	36	\$513	\$812

- End Panel is 1-1/8" thick material.
- Includes two adjustable glides.
- Edges are DeskMakers standard 2MM PVC edgebanding for both TFL and HPL finishes.
- Grain runs horizontal.

Single Sided Connecting End Panel -42" High

Used when connecting to an Extension Panel
For use with Single Sided Partition Troughs: 42" & 48" high



Model Number	Width	Height	TFL (T)	HPL (H)	
Left Model	Right Model				
HV-EPL4-4227-L-?	HV-EPL4-4227-R-?	26 1/2	42	\$453	\$715
HV-EPL4-4234-L-?	HV-EPL4-4234-R-?	33 1/2	42	\$508	\$801
HV-EPL4-4239-L-?	HV-EPL4-4239-R-?	38 1/2	42	\$561	\$884

- End Panel is 1-1/8" thick material.
- Includes two adjustable glides.
- Edges are DeskMakers standard 2MM PVC edgebanding for both TFL and HPL finishes.
- Grain runs horizontal.

Single Sided Connecting End Panel -48" High

Used when connecting to an Extension Panel
For use with Single Sided Partition Troughs: 48" high



Model Number	Width	Height	TFL (T)	HPL (H)	
Left Model	Right Model				
HV-EPL4-4827-L-?	HV-EPL4-4827-R-?	26 1/2	48	\$502	\$793
HV-EPL4-4834-L-?	HV-EPL4-4834-R-?	33 1/2	48	\$557	\$878
HV-EPL4-4839-L-?	HV-EPL4-4839-R-?	38 1/2	48	\$610	\$963

- End Panel is 1-1/8" thick material.
- Includes two adjustable glides.
- Edges are DeskMakers standard 2MM PVC edgebanding for both TFL and HPL finishes.
- Grain runs horizontal.

Double Sided Divider Panels



Model Number	Width	Height	TFL (T)	HPL (H)
29" High				
HV-DPL1-2952-?	52	29	\$601	\$949
HV-DPL1-2964-?	64	29	\$670	\$1,060
HV-DPL1-2976-?	76	29	\$762	\$1,205
36" High				
HV-DPL1-3652-?	52	36	\$695	\$1,095
HV-DPL1-3664-?	64	36	\$771	\$1,217
HV-DPL1-3676-?	76	36	\$849	\$1,338
42" High				
HV-DPL1-4252-?	52	42	\$762	\$1,205
HV-DPL1-4264-?	64	42	\$839	\$1,328
HV-DPL1-4276-?	76	42	\$918	\$1,449
48" High				
HV-DPL1-4852-?	52	48	\$831	\$1,313
HV-DPL1-4864-?	64	48	\$909	\$1,435
HV-DPL1-4876-?	76	48	\$985	\$1,558

- Divider Panel is 1-1/8" thick material.
- Includes grommet cutouts and adjustable glides.
- Edges are DeskMakers standard 2MM PVC edgebanding for both TFL and HPL finishes.
- Grain runs horizontal.

Single Sided Divider Panels



Model Number	Width	Height	TFL (T)	HPL (H)
29" High				
HV-DPL2-2927-?	26 1/2	29	\$456	\$539
HV-DPL2-2934-?	33 1/2	29	\$503	\$613
HV-DPL2-2939-?	38 1/2	29	\$568	\$715
36" High				
HV-DPL2-3627-?	26 1/2	36	\$521	\$640
HV-DPL2-3634-?	33 1/2	36	\$574	\$724
HV-DPL2-3639-?	38 1/2	36	\$629	\$812
42" High				
HV-DPL2-4227-?	26 1/2	42	\$568	\$715
HV-DPL2-4234-?	33 1/2	42	\$623	\$801
HV-DPL2-4239-?	38 1/2	42	\$676	\$884
48" High				
HV-DPL2-4827-?	26 1/2	48	\$618	\$793
HV-DPL2-4834-?	33 1/2	48	\$672	\$878
HV-DPL2-4839-?	38 1/2	48	\$725	\$963

- Divider Panel is 1-1/8" thick material.
- Includes grommet cutout and adjustable glides.
- Edges are DeskMakers standard 2MM PVC edgebanding for both TFL and HPL finishes.
- Grain runs horizontal.

Double Sided Connecting Divider Panels
Used when connecting to Extension Panels



Model Number	Width	Height	TFL (T)	HPL (H)
29" High				
HV-DPL3-2952-?	52	29	\$601	\$949
HV-DPL3-2964-?	64	29	\$670	\$1,060
HV-DPL3-2976-?	76	29	\$762	\$1,205
36" High				
HV-DPL3-3652-?	52	36	\$695	\$1,095
HV-DPL3-3664-?	64	36	\$771	\$1,217
HV-DPL3-3676-?	76	36	\$849	\$1,338
42" High				
HV-DPL3-4252-?	52	42	\$762	\$1,205
HV-DPL3-4264-?	64	42	\$839	\$1,328
HV-DPL3-4276-?	76	42	\$918	\$1,449
48" High				
HV-DPL3-4852-?	52	48	\$831	\$1,313
HV-DPL3-4864-?	64	48	\$909	\$1,435
HV-DPL3-4876-?	76	48	\$985	\$1,558

- Divider Panel is 1-1/8" thick material.
- Includes grommet cutouts and adjustable glides.
- Edges are DeskMakers standard 2MM PVC edgebanding for both TFL and HPL finishes.
- Grain runs horizontal.

Single Sided Connecting Divider Panels

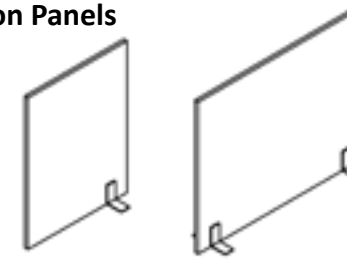
Used when connecting to an Extension Panel



Model Number	Width	Height	TFL (T)	HPL (H)
29" High				
HV-DPL4-2927-?	26 1/2	29	\$456	\$539
HV-DPL4-2934-?	33 1/2	29	\$503	\$613
HV-DPL4-2939-?	38 1/2	29	\$568	\$715
36" High				
HV-DPL4-3627-?	26 1/2	36	\$521	\$640
HV-DPL4-3634-?	33 1/2	36	\$574	\$724
HV-DPL4-3639-?	38 1/2	36	\$629	\$812
42" High				
HV-DPL4-4227-?	26 1/2	42	\$568	\$715
HV-DPL4-4234-?	33 1/2	42	\$623	\$801
HV-DPL4-4239-?	38 1/2	42	\$676	\$884
48" High				
HV-DPL4-4827-?	26 1/2	48	\$618	\$793
HV-DPL4-4834-?	33 1/2	48	\$672	\$878
HV-DPL4-4839-?	38 1/2	48	\$725	\$963

- Divider Panel is 1-1/8" thick material.
- Includes grommet cutout and adjustable glides.
- Edges are DeskMakers standard 2MM PVC edgebanding for both TFL and HPL finishes.
- Grain runs horizontal.

Extension Panels



Model Number	Width	Height	TFL (T)	HPL (H)
29" High				
Left Model	Right Model			
HV-EXP1-2924-L-?	HV-EXP1-2924-R-?	24	29	\$516
HV-EXP1-2930-L-?	HV-EXP1-2930-R-?	30	29	\$531
HV-EXP1-2936-L-?	HV-EXP1-2936-R-?	36	29	\$547
HV-EXP1-2942-L-?	HV-EXP1-2942-R-?	42	29	\$734
HV-EXP1-2948-L-?	HV-EXP1-2948-R-?	48	29	\$748
HV-EXP1-2954-L-?	HV-EXP1-2954-R-?	54	29	\$762
HV-EXP1-2960-L-?	HV-EXP1-2960-R-?	60	29	\$778
36" High				
Left Model	Right Model			
HV-EXP1-3624-L-?	HV-EXP1-3624-R-?	24	36	\$531
HV-EXP1-3630-L-?	HV-EXP1-3630-R-?	30	36	\$549
HV-EXP1-3636-L-?	HV-EXP1-3636-R-?	36	36	\$567
HV-EXP1-3642-L-?	HV-EXP1-3642-R-?	42	36	\$758
HV-EXP1-3648-L-?	HV-EXP1-3648-R-?	48	36	\$775
HV-EXP1-3654-L-?	HV-EXP1-3654-R-?	54	36	\$793
HV-EXP1-3660-L-?	HV-EXP1-3660-R-?	60	36	\$811
42" High				
Left Model	Right Model			
HV-EXP1-4224-L-?	HV-EXP1-4224-R-?	24	42	\$545
HV-EXP1-4230-L-?	HV-EXP1-4230-R-?	30	42	\$564
HV-EXP1-4236-L-?	HV-EXP1-4236-R-?	36	42	\$584
HV-EXP1-4242-L-?	HV-EXP1-4242-R-?	42	42	\$778
HV-EXP1-4248-L-?	HV-EXP1-4248-R-?	48	42	\$798
HV-EXP1-4254-L-?	HV-EXP1-4254-R-?	54	42	\$818
HV-EXP1-4260-L-?	HV-EXP1-4260-R-?	60	42	\$839
48" High				
Left Model	Right Model			
HV-EXP1-4824-L-?	HV-EXP1-4824-R-?	24	48	\$557
HV-EXP1-4830-L-?	HV-EXP1-4830-R-?	30	48	\$578
HV-EXP1-4836-L-?	HV-EXP1-4836-R-?	36	48	\$603
HV-EXP1-4842-L-?	HV-EXP1-4842-R-?	42	48	\$798
HV-EXP1-4848-L-?	HV-EXP1-4848-R-?	48	48	\$821
HV-EXP1-4854-L-?	HV-EXP1-4854-R-?	54	48	\$844
HV-EXP1-4860-L-?	HV-EXP1-4860-R-?	60	48	\$867

- Extension panel is 1-1/8" thick material.
- Includes metal T-Foot and adjustable glides.
- Edges are DeskMakers standard 2MM PVC edgebanding for both TFL and HPL finishes.
- Panels must attach to an end panel or divider panel. Cannot be used as a stand-alone wall.
- Grain runs horizontal.

Center Extension Panels

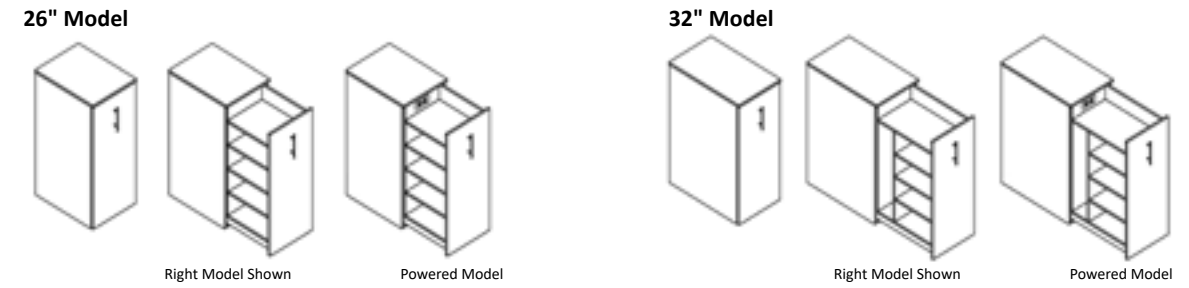


Model Number	Width	Height	TFL (T)	HPL (H)
11" High				
HV-EXP2-1118-?	18 1/4	11	\$152	\$239
HV-EXP2-1124-?	24 1/4	11	\$165	\$262
HV-EXP2-1130-?	30 1/4	11	\$174	\$274
HV-EXP2-1136-?	36 1/2	11	\$180	\$283
HV-EXP2-1142-?	42 1/2	11	\$198	\$315
HV-EXP2-1148-?	48 1/2	11	\$207	\$326
29" High				
HV-EXP2-2918-?	18 1/4	29	\$303	\$480
HV-EXP2-2924-?	24 1/4	29	\$331	\$522
HV-EXP2-2930-?	30 1/4	29	\$345	\$547
HV-EXP2-2936-?	36 1/2	29	\$361	\$568
HV-EXP2-2942-?	42 1/2	29	\$398	\$628
HV-EXP2-2948-?	48 1/2	29	\$413	\$651
36" High				
HV-EXP2-3618-?	18 1/4	36	\$334	\$527
HV-EXP2-3624-?	24 1/4	36	\$345	\$547
HV-EXP2-3630-?	30 1/4	36	\$364	\$574
HV-EXP2-3636-?	36 1/2	36	\$381	\$603
HV-EXP2-3642-?	42 1/2	36	\$423	\$668
HV-EXP2-3648-?	48 1/2	36	\$440	\$695
42" High				
HV-EXP2-4218-?	18 1/4	42	\$350	\$553
HV-EXP2-4224-?	24 1/4	42	\$360	\$565
HV-EXP2-4230-?	30 1/4	42	\$378	\$597
HV-EXP2-4236-?	36 1/2	42	\$398	\$630
HV-EXP2-4242-?	42 1/2	42	\$443	\$699
HV-EXP2-4248-?	48 1/2	42	\$463	\$731
48" High				
HV-EXP2-4818-?	18 1/4	48	\$362	\$572
HV-EXP2-4824-?	24 1/4	48	\$371	\$586
HV-EXP2-4830-?	30 1/4	48	\$394	\$622
HV-EXP2-4836-?	36 1/2	48	\$417	\$659
HV-EXP2-4842-?	42 1/2	48	\$463	\$731
HV-EXP2-4848-?	48 1/2	48	\$486	\$766

- Center extension panel is 1-1/8" thick material.
- Includes mechanical biscuit fasteners on both ends.
- Edges are DeskMakers standard 2MM PVC edgebanding for both TFL and HPL finishes.
- Panels must attach to a trough center panel and storage unit. Cannot be used as a stand-alone wall.
- Grain runs horizontal.

Personal Storage Tower - Shelf Storage Model

Single Pull-Out Door

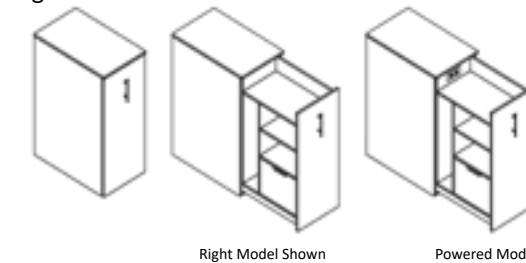


Model Number	Width	Depth	Height	Price	
Left Model	Right Model				
HV-PST1-1826-L	HV-PST1-1826-R	18	26	42	\$3,223
HV-PST1-1826-LPWR	HV-PST1-1826-RPWR	18	26	42	\$3,804
HV-PST1-1832-L	HV-PST1-1832-R	18	32	42	\$3,432
HV-PST1-1832-LPWR	HV-PST1-1832-RPWR	18	32	42	\$4,012

- 24" Deep model includes fixed shelf and two adjustable shelves.
- 30" Deep model includes wardrobe with coat hook, fixed shelf and two adjustable shelves.
- Powered model includes power unit with two outlets and two USB charging ports. Power unit has 108" long cord with plug. Power unit is field installed into factory cut hole. Grommet not included.
- Includes adjustable glides.
- Lock NOT standard. For lock on doors per bay, add OP-LOCK-ADD for \$133.
- Must specify grommet for electrical pass-thru. For grommet located on left side, use HV-GROM-LEFT for \$57; for grommet located on right side, use HV-GROM-RGHT for \$57; for grommet on both sides, use HV-GROM-BOTH for \$114.

Personal Storage Tower - File Storage Model

Single Pull-Out Door



Model Number	Width	Depth	Height	Price	
Left Model	Right Model				
HV-PST2-1832-L	HV-PST2-1832-R	18	32	42	\$4,089
HV-PST2-1832-LPWR	HV-PST2-1832-RPWR	18	32	42	\$4,670

- Includes wardrobe with coat hook, fixed shelf, adjustable shelf and one file drawer.
- Powered model includes power unit with two outlets and two USB charging ports. Power unit has 108" long cord with plug. Power unit is field installed into factory cut hole. Grommet not included.
- Includes adjustable glides.
- Lock NOT standard. For lock on doors per bay, add OP-LOCK-ADD for \$133.
- Must specify grommet for electrical pass-thru. For grommet located on left side, use HV-GROM-LEFT for \$57; for grommet located on right side, use HV-GROM-RGHT for \$57; for grommet on both sides, use HV-GROM-BOTH for \$117.

U-Shaped Wire Management Channel



Model Number	Width	Depth	Height	Price
HV-UCHN-18	5	7	18	\$222

- 3/4" thermofuse laminate material only.
- Ships with mounting hardware for securing to table base.
- Cannot be used to support troughs.

Wire Management Support Base

Used with Platform and Raised Panel Troughs



Model Number	Width	Depth	Height	Price
HV-WML1-18	9	12	18	\$732

- 3/4" thermofuse laminate material only.
- Includes one hinged access door.
- Includes adjustable glides.
- Edges are DeskMakers standard 2MM PVC edgebanding.

Wire Management Support Base

Used with Partition and Single Sided Troughs



Model Number	Width	Depth	Height	Price
HV-WML2-18	9	5 1/2	18	\$423

- 3/4" thermofuse laminate material only.
- Includes one hinged access door.
- Includes adjustable glides.
- Edges are DeskMakers standard 2MM PVC edgebanding.

End Panel Infeed Grommet Option



Model Number	Price
HV-GROM-ENDP	\$57

- 2-1/2" diameter grommet is plastic.
- Grommet is centered on the depth of the end panel and is located 6" on center above the bottom edge.

Metal Wall Panel T-Foot



Model Number	Price
HV-PNLS-TF	\$175

- Powder coat silver finish.

Please visit [Deskmakers.com](https://www.Deskmakers.com) to view our current **Terms and Conditions**.

Please visit DeskMakers.com to view our current **Warranty**.

Showroom Locations

Los Angeles

DeskMakers Headquarters
6525 Flotilla Street
Commerce, CA 90040

DeskMakers

Phone: 323.264.2260 | Fax: 323.725.6960
www.deskmakers.com