



hover

PRICE & SPECIFICATION GUIDE

Version: 01.07.26
prices effective January 1, 2026

The logo for DeskMakers, featuring the word "Desk" in a grey sans-serif font and "Makers" in a bold, black sans-serif font, with a horizontal orange line above the "Makers" portion.

revisions

10/24/19	Updated layout and finishes
12/08/20	Updated base finish options
01/01/21	Updated pricing and finishes
04/09/21	Updated pricing on 2 leg G bases
09/01/21	Updated finishes
11/19/21	Added Hover Boost and Reach Bases
12/20/21	Updated pricing and finishes
03/31/22	Updated select pricing and skus
04/11/22	Corrected ML-2LEG-EXKT pricing
08/18/22	Added surcharge note
12/01/22	Updated pricing
02/16/23	Corrected Skus for 90 Degree Symmetrical Worksurfaces
04/27/23	Updated Lift Base pricing
10/18/23	Updated finishes
03/24/24	Updated pricing
08/30/24	Updated finishes and pulls
12/01/24	Updated pricing
11/03/25	Updated pricing

table of contents

Laminates	4-5
Height Adjustable Base Finishes	6
Pulls	7
Product Details	8-33
Height Adjustable Bases	8-11
Worksurfaces	12
Troughs	13-15
Platform Troughs	16-17
Raised Panel Troughs	18-19
Partition Troughs	20-21
Privacy Options	22-25
Storage Options	26-27
Personal Storage Towers	28-29
Electrical	30-33
Worksurfaces	34-37
Laminate Combination Panels	37
Height Adjustable Bases	38-42
Platform Troughs	43-44
Raised Panel Troughs	45-46
Partition Troughs	47-54
120 Troughs	55-60
Single Sided Troughs	61-70
End Panels	71-78
Divider Panels	79-82
Extension Panels	83-84
Personal Storage Towers	85
Accessories	86
Terms and Conditions	87
Warranty	88

laminates finishes

thermofuse laminate (TFL)

Pricing shown in this price list applies only to TFL finishes currently included in the DeskMakers finish collection. For the most accurate finish list please see deskmakers.com.

high pressure laminate (HPL)

Pricing shown in this price list applies only to non-premium HPLs as follows:

- Wilsonart: Solids, Woodgrains, and Abstracts in Matte (-60) finish,
- Formica: Color Portfolio, Woodgrains, and Patterns in Matte (-58) finish
- Pionite: Solids, Woodgrains, and Abstracts in Suede (N) finish
- Arborite: Solids, Woodgrains, Textures and Abstracts in Matte (CA) finish
- Nevamar: Solids, Woodgrains, Stones and Abstracts in ARP (-T) finish

A minimum charge of \$573 net per HPL color will be applied to each order.

Call customer service for pricing for all other HPLs.

Additional lead times required for HPL orders depending on material availability and order complexity.

high pressure laminate (HPL) pricing chart

Most DeskMakers product is made of Thermofuse laminate (TFL). As such, there is an upcharge for ordering product in high pressure laminate (HPL). This upcharge varies based on the product and the size of the HPL order.

Please note that only the portion of the order in HPL will be calculated to determine the level of HPL upcharges.

HPL is always available with DeskMakers standard 2MM edgebanding. Special order matching PVC 2MM edgebanding may be available for orders \$25,000 List or larger, call customer service for pricing.

Product Category	Option Code	HPL UPCHARGE
WORKSURFACES All Shapes <i>Top surface HPL</i>	OP-HPL1-25-??	60%
CASEGOODS Top HPL only, balance TFL	OP-HPL1-1-??	25%
CASEGOODS Entire Unit HPL	OP-HPL1-4-??	120%
CASEGOODS HPL Drawer Fronts only	OP-HPL1-2-??	20%
CASEGOODS Top HPL and HPL Drawer Fronts	OP-HPL1-3-??	30%

pulls & hardware

standard pulls

Pulls are included on all drawers and cabinet doors for no upcharge.



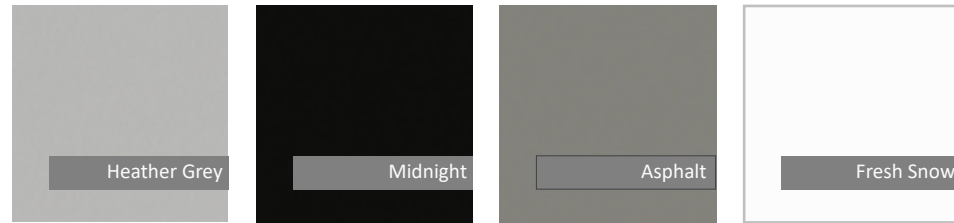
*The 125SN/BL pull is 7.5" long. On lateral file drawers and larger cabinet doors a longer 12.5" pull in the same style will be used. This may be identified as a "127SN/BL" pull on your acknowledgment.

* 105 and 107 pulls are only available in the silver nickel 'SN' finish.

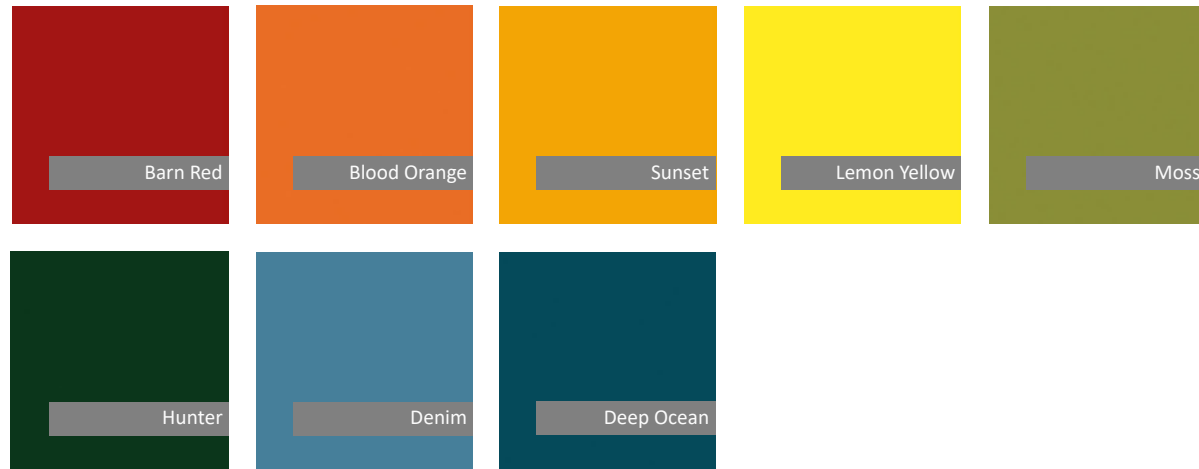
base finishes

Hover Lift Bases

standard

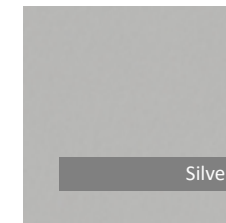


premium - 10% upcharge (OP-COLOR)

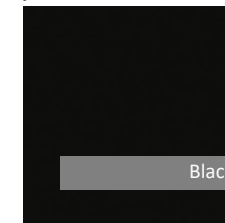


Hover Reach Bases

standard

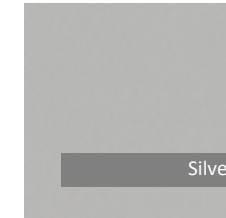


premium - 10% upcharge (OP-COLOR)

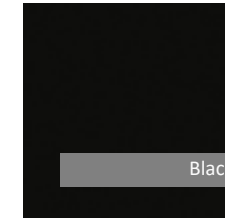


Hover Boost Bases

standard



premium - 10% upcharge (OP-COLOR)



Hover Lift Height Adjustable Bases



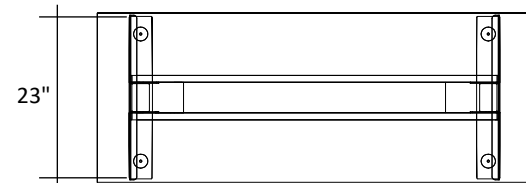
Features

Number of Legs	2 or 3
Height Range w/ Worksurface	27" - 46"
Number of Stages	2
Worksurface Lengths	48" - 84" in 6" increments
Worksurface Depths	24", 30" & 36"
Lifting Capacity	250 lbs (includes worksurface)
Adjustment Speed	1.5"/second
Cord Length	118" long
Finishes	4 standard, 8 at upcharge
Frame	Size Specific
Column Shape	Rectangle
Safety	Anti-Collision Option

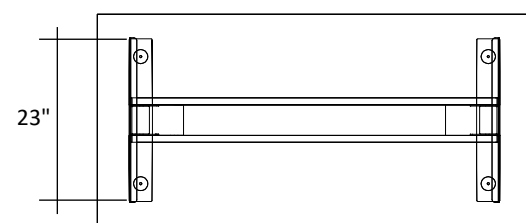
Foot Length

A 60" long worksurface is shown in examples below. The base will 9" shorter than the top, with a 4 1/2" inset on each side when centered.

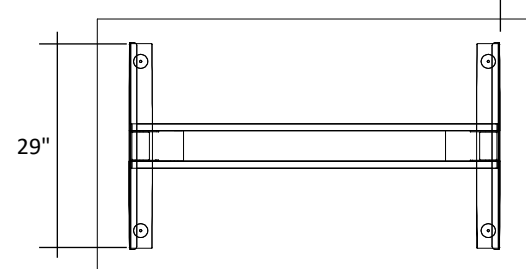
24" Deep Worksurface



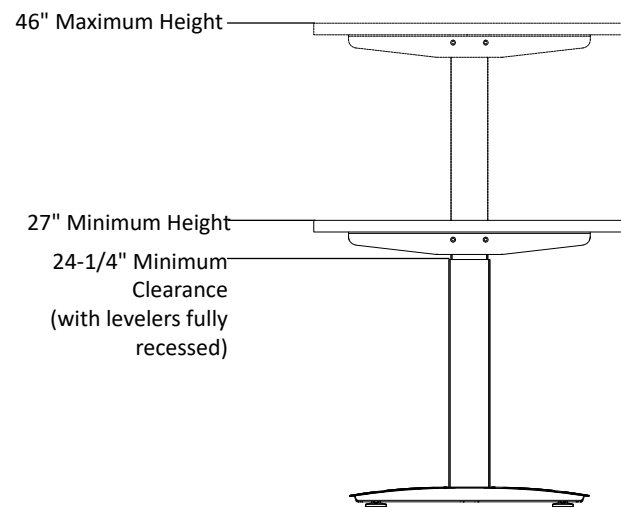
30" Deep Worksurface



36" Deep Worksurface



* 29" foot may also be specified for 30" worksurfaces.



Standard Up/Down Control



- Standard on Hover Lift bases
- Simple Up/Down function
- After 2 minutes defaults control box to standby mode

Programmable Digital Control



- Add-on option for Hover Lift bases : AC-CNTL-DIGI for \$274
- Save 4 different positions
- LCD display
- Set in centimeters or inches
- After 2 minutes defaults control box to standby mode

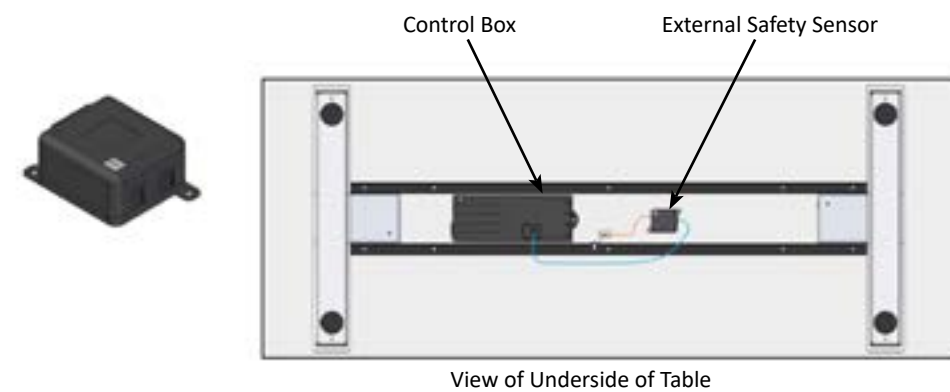
Locking Casters

The Hover Lift height adjustable bases are available with optional locking casters. Casters increase the overall table height by 2".



External Safety Sensor

An External Safety Sensor is able to detect even the smallest deformation. When a collision or restriction of movement is detected, the External Safety Sensor triggers the motors to move in the opposite direction to release the pinched obstacle. The External Safety Sensor can be added to the Hover Lift bases after installation. AC-DRBK-OMT for \$366.



All Hover electric height adjustable bases are equipped with Intelligent System Protection (ISP). ISP is used to protect base motors, control boxes and internal components from damage resulting from collision or restriction of movement. The ISP is not intended for protection of the end user, and is less sensitive than the External Safety Sensor.

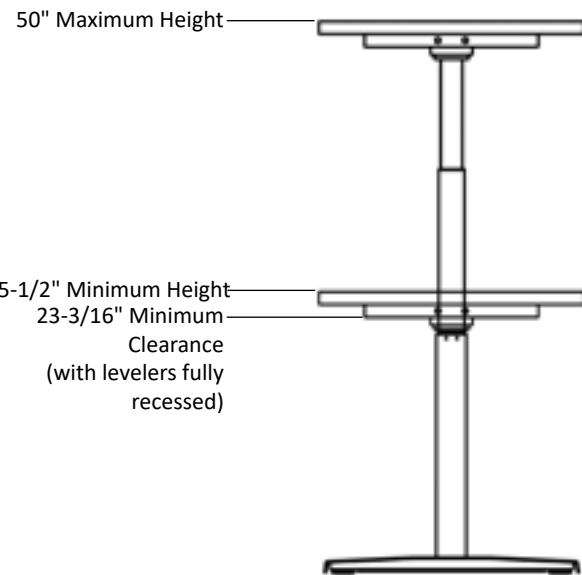
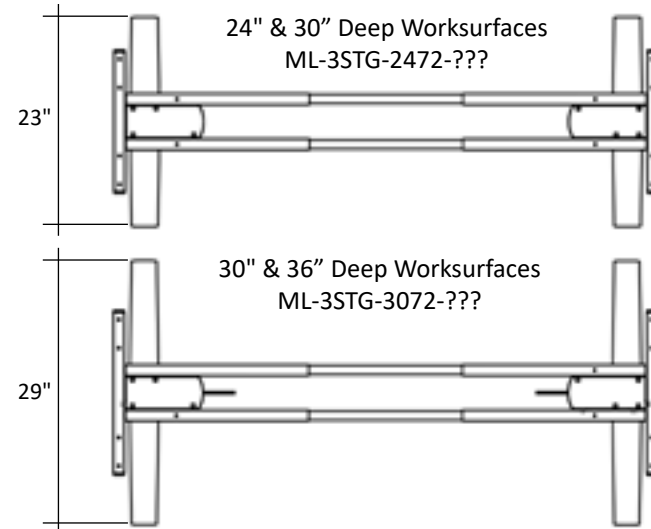
Hover Reach Height Adjustable Bases



Features

Number of Legs	2 or 3
Height Range w/ Worksurface	22.75" - 49"
Number of Stages	3
Worksurface Lengths	42" - 72" (Up to 84" w/ ext. kit)
Worksurface Depths	24", 30" & 36"
Lifting Capacity	220 lbs (includes worksurface)
Adjustment Speed	1.4"/second
Cord Length	72" long
Finishes	Silver
Frame	Adjustable
Column Shape	Rectangle
Safety	Anti-Collision Built-in

Foot Length



Quick Install Legs

- Ships in 1 box
- No tools required for assembly.

Programmable Digital Control

- Save 3 different positions
- LCD display
- Set in centimeters or inches
- Power standby mode
- Standard with Hover Reach

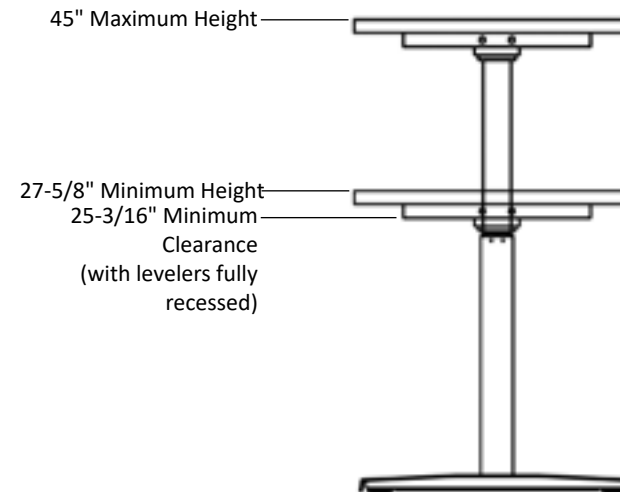
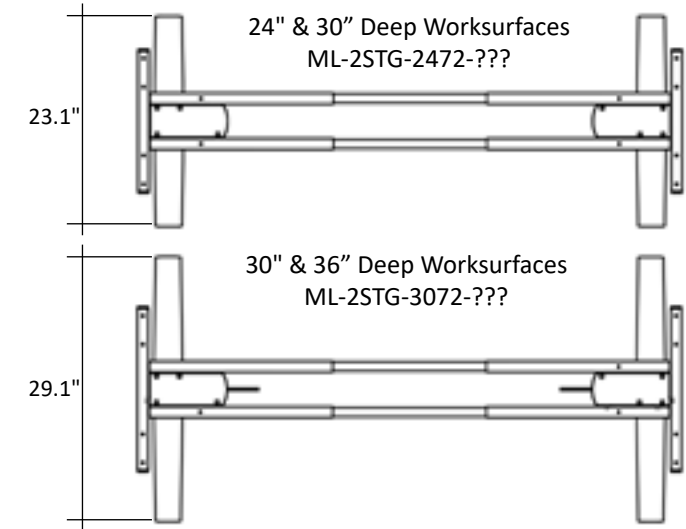
Hover Boost Height Adjustable Bases



Features

Number of Legs	2
Height Range w/ Worksurface	27.75" - 47.4"
Number of Stages	2
Worksurface Lengths	42" - 72" (Up to 84" w/ ext. kit)
Worksurface Depths	24", 30" & 36"
Lifting Capacity	200 lbs (includes worksurface)
Adjustment Speed	1.42"/second
Cord Length	72" long
Finishes	Black, White, Silver
Frame	Adjustable
Column Shape	Rectangle
Safety	Anti-Collision Built-in

Foot Length



Quick Install Legs

- Ships in 1 box
- No tools required for assembly.

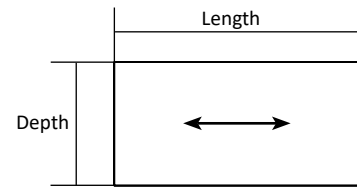
Programmable Digital Control

- Save 3 different positions
- LCD display
- Set in centimeters or inches
- Power standby mode
- Standard with Hover Boost

Worksurfaces

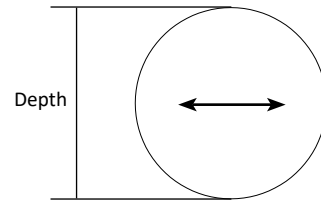
Hover worksurfaces are 1-1/8" thick with 45 pound industrial grade particle board core and are available in rectangular, round, 120 degree and 90 degree shapes. Worksurfaces are available in either TFL with 2MM PVC edge, HPL with 2MM PVC edge or HPL with self edge.

Rectangular



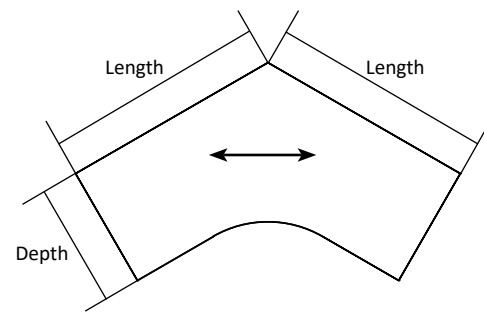
- Depths include 24", 30" and 36".
- Lengths include 48" to 84" in 6" increments.
- All dimensions are actual.

Round



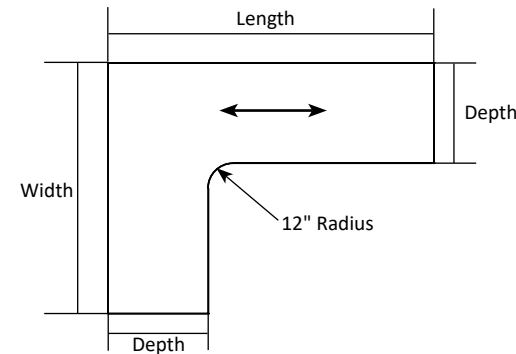
- Depths include 30", 36" and 42".
- All dimensions are actual.

120 Degree



- Depths include 24" and 30".
- Lengths include 42", 48" and 54".
- All dimensions are actual.

90 Degree



- Depths include 24"/24" and 30"/24".
- Lengths include 66", 72" and 78".
- Widths include 42", 48", 54" and 60".
- All dimensions are actual.

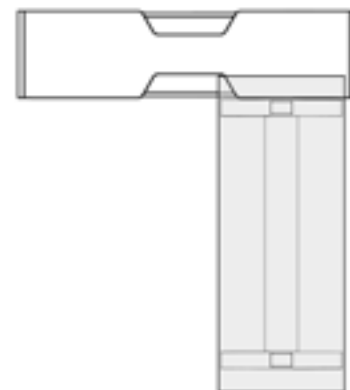
Worksurface Orientation

Hover worksurfaces can be placed either parallel or perpendicular to the trough unit in benching set-ups.
Note: Access to the interior of the troughs may be impeded by the placement of the height adjustable bases.

Parallel



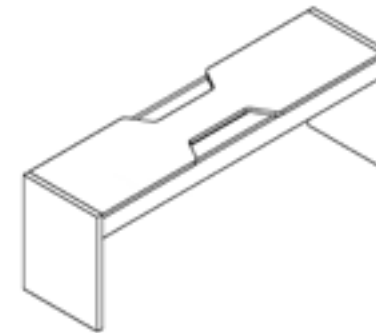
Perpendicular



Hover Troughs

Hover offers three different trough types to provide varying levels of privacy and space division. Hover Troughs provide structure to route and conceal power, data and voice from floor core or wall locations to multiple workstations.

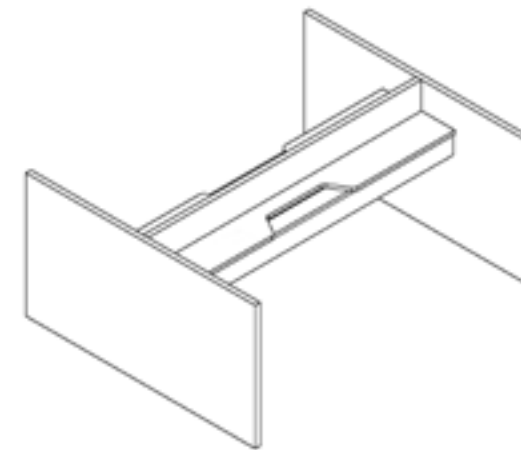
Platform Troughs



- Low profile, 23" high.
- Area under trough is open.
- Can be used with or without privacy panels.
- Privacy panels can be mounted directly to trough tops or worksurfaces.
- Available with trough height or desk height end panels.

- Available as:
- Benching configurations
 - 120 degree configurations

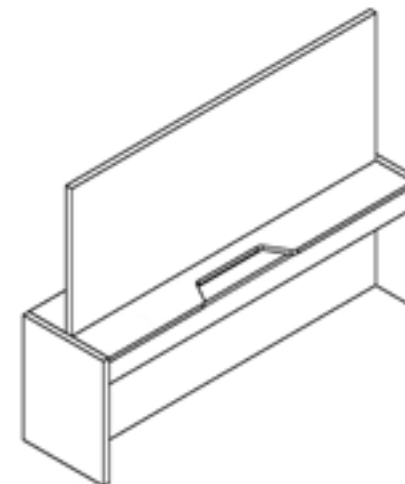
Raised Panel Troughs



- Center panel extends above the trough top 6", increasing height to 29" high.
- Area under trough is open.
- Can be used with or without privacy panels.
- Privacy panels can be mounted directly to raised center panel.
- Available only with desk height end panels.
- Divider panels and Extension wall panels can be added.

- Available as:
- Benching configurations
 - 120 degree configurations
 - Single Sided configurations

Partition Troughs

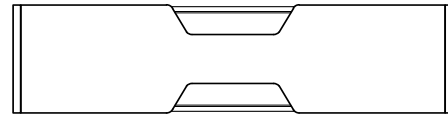


- Center panel extends through the trough top. Center panel heights: 29", 36", 42" & 48" high.
- Center panel extends below the trough to the floor.
- Can be used with or without privacy panels.
- Privacy panels can be mounted directly to raised center panel.
- Panel mounted tackboards and whiteboard surfaces can be applied to the center panel for increased function.
- Available with trough height, desk height or center panel height end panels.
- Divider panels and Extension wall panels can be added.

- Available as:
- Benching configurations
 - 120 degree configurations
 - Single Sided configurations

Trough Cutout Locations

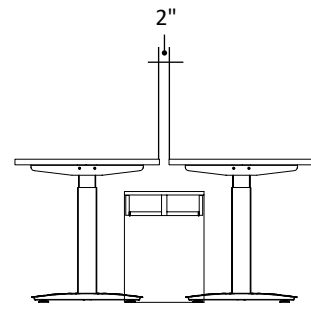
Wire access cutouts in the top of the trough are located in the center for ease of specification.



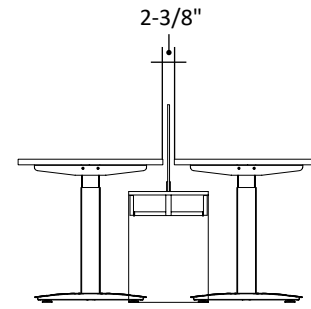
Worksurface Clearance with Privacy

Hover worksurfaces must maintain minimum clearances between worksurface edges and privacy panels or wall panels to minimize possible pinch point hazards.

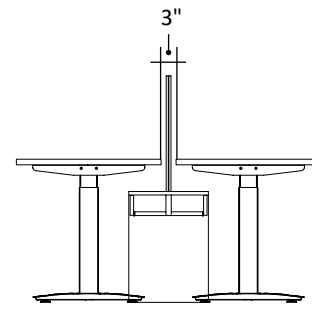
Platform Trough Clearances



No Privacy Panels

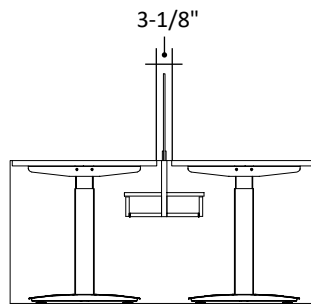


Glass/Acrylic Privacy Panels

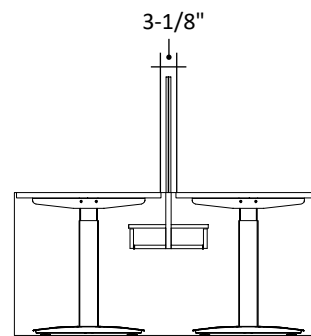


Double Sided Tackboard Privacy Panels

Raised Panel Trough Clearances

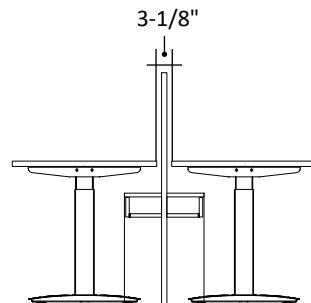


Glass/Acrylic Privacy Panels

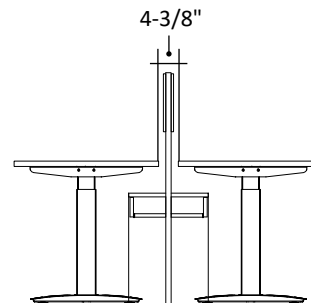


Double Sided Tackboard Privacy Panels

Privacy Trough Clearances



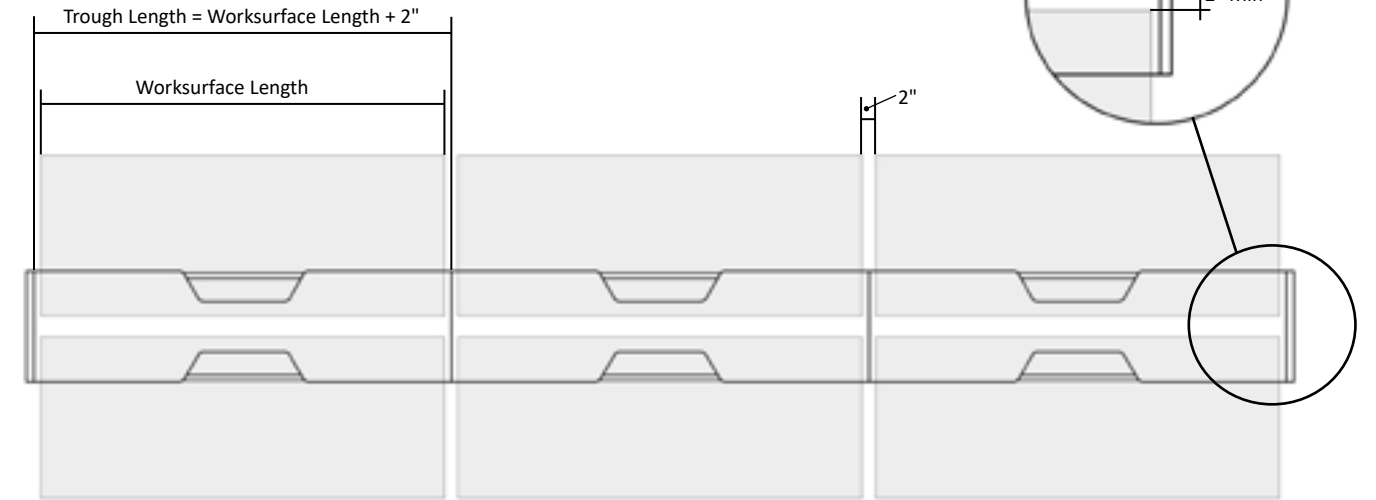
Center Panel Only



Panel Mounted Tackboards

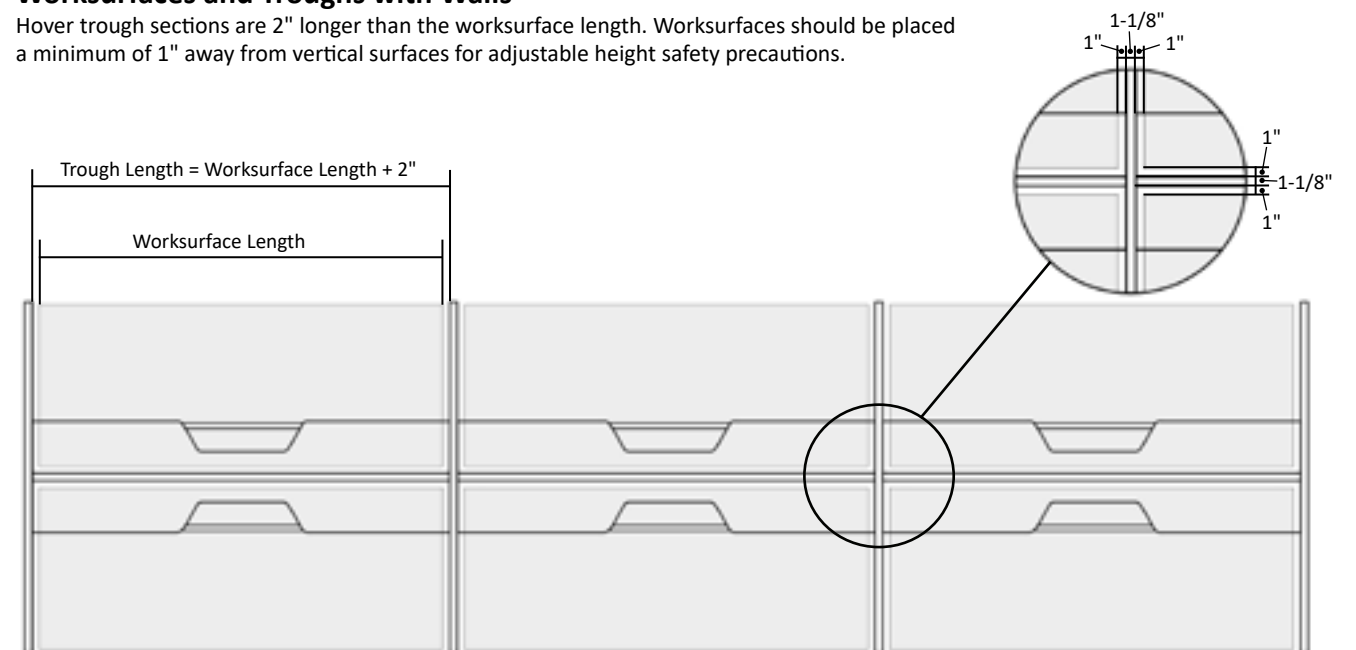
Worksurfaces and Troughs

Hover trough sections are 2" longer than the worksurface length. This allows for a 1" gap on either side of the worksurface for adjustable height safety precautions. This results in a 2" gap between side by side worksurfaces.



Worksurfaces and Troughs with Walls

Hover trough sections are 2" longer than the worksurface length. Worksurfaces should be placed a minimum of 1" away from vertical surfaces for adjustable height safety precautions.

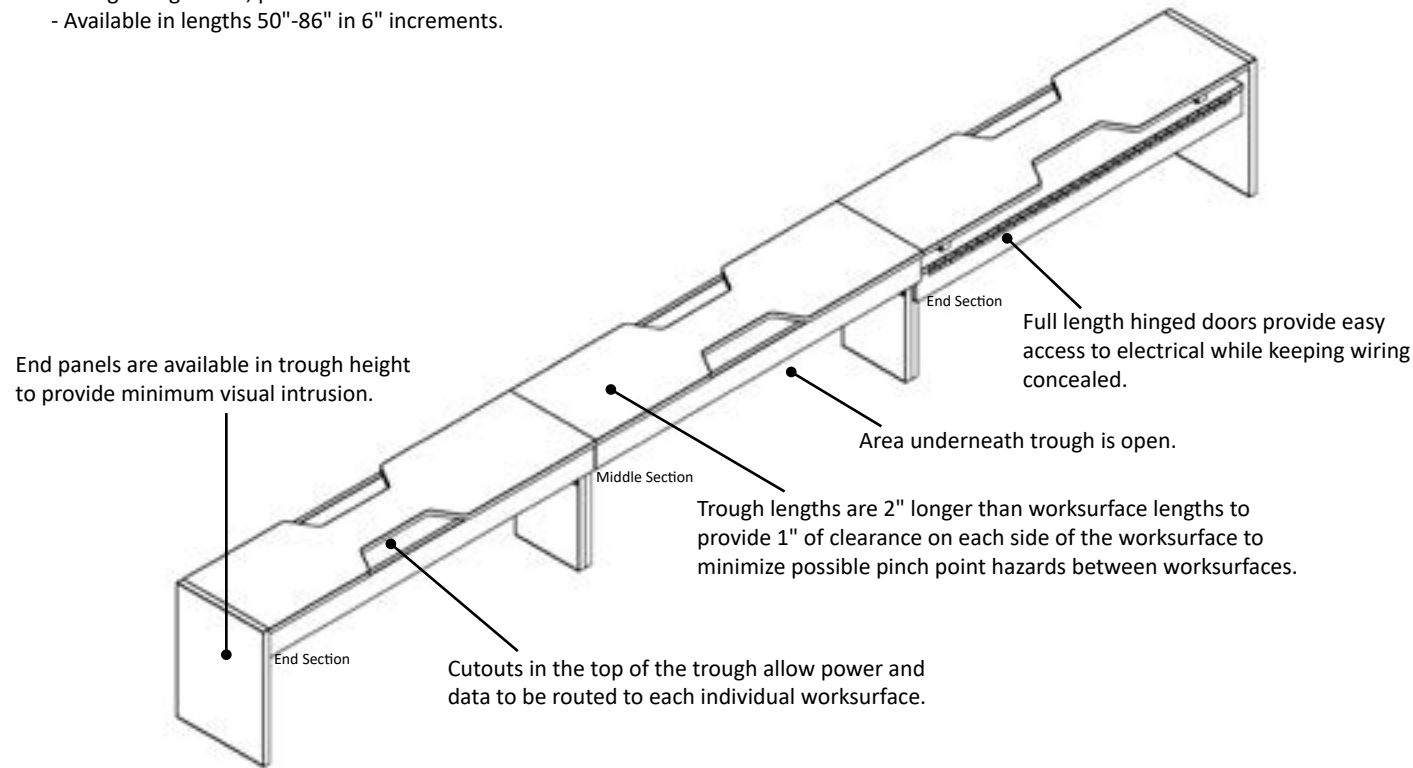


Understanding Hover Platform Troughs

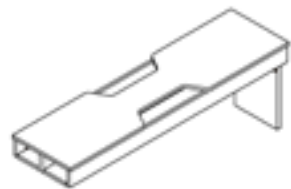
Hover Platform Troughs provide structure to route and conceal power, data and voice from floor core or wall locations to multiple workstations. Platform troughs allow privacy panels to be mounted directly to trough tops or worksurfaces.

General Specifications:

- Trough Width: 16-1/2".
- Trough Height: 23", plus levelers.
- Available in lengths 50"-86" in 6" increments.

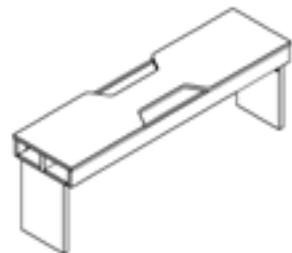


Platform Trough Sections



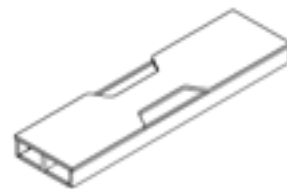
End Section

- Used at beginning and end of bench run.
- Must specify end panel.
- Includes intermediate leg support and supporting brackets.
- Trough sections 80" and 86" long include additional intermediate leg in center.



Middle Section

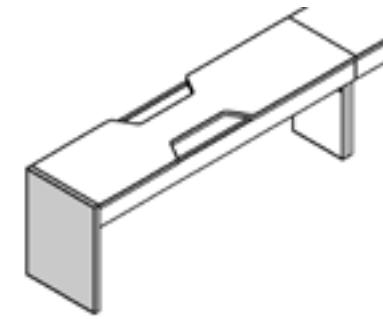
- Used only in the middle of a bench run.
- Middle sections must connect to an end section or another middle section.
- Includes two intermediate support legs and supporting brackets.
- Trough sections 80" and 86" long include additional intermediate leg in center.



Spanning Section

- Used to span between two end panels or divider panels.
- Includes trough section.
- End panels or divider panels must be specified for each spanning section.
- Trough sections 80" and 86" long include additional intermediate leg in center.

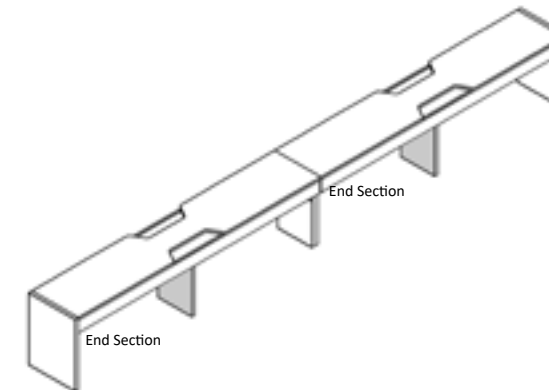
Platform Trough End Panel Option



Trough Height End Panels

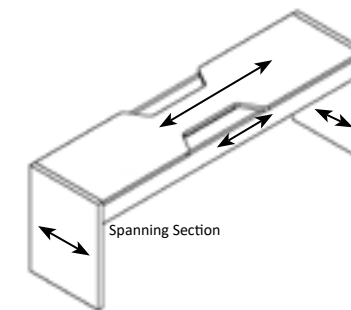
- End Panels are 1-1/8" thick material.
- End Panels increase the overall length of the setup by 1-1/8" per end panel.

Platform Trough Intermediate Leg



- 80" and 86" Troughs include an additional intermediate leg support mounted in the center of trough for additional structural support.

Platform Trough and End Panel Grain Direction

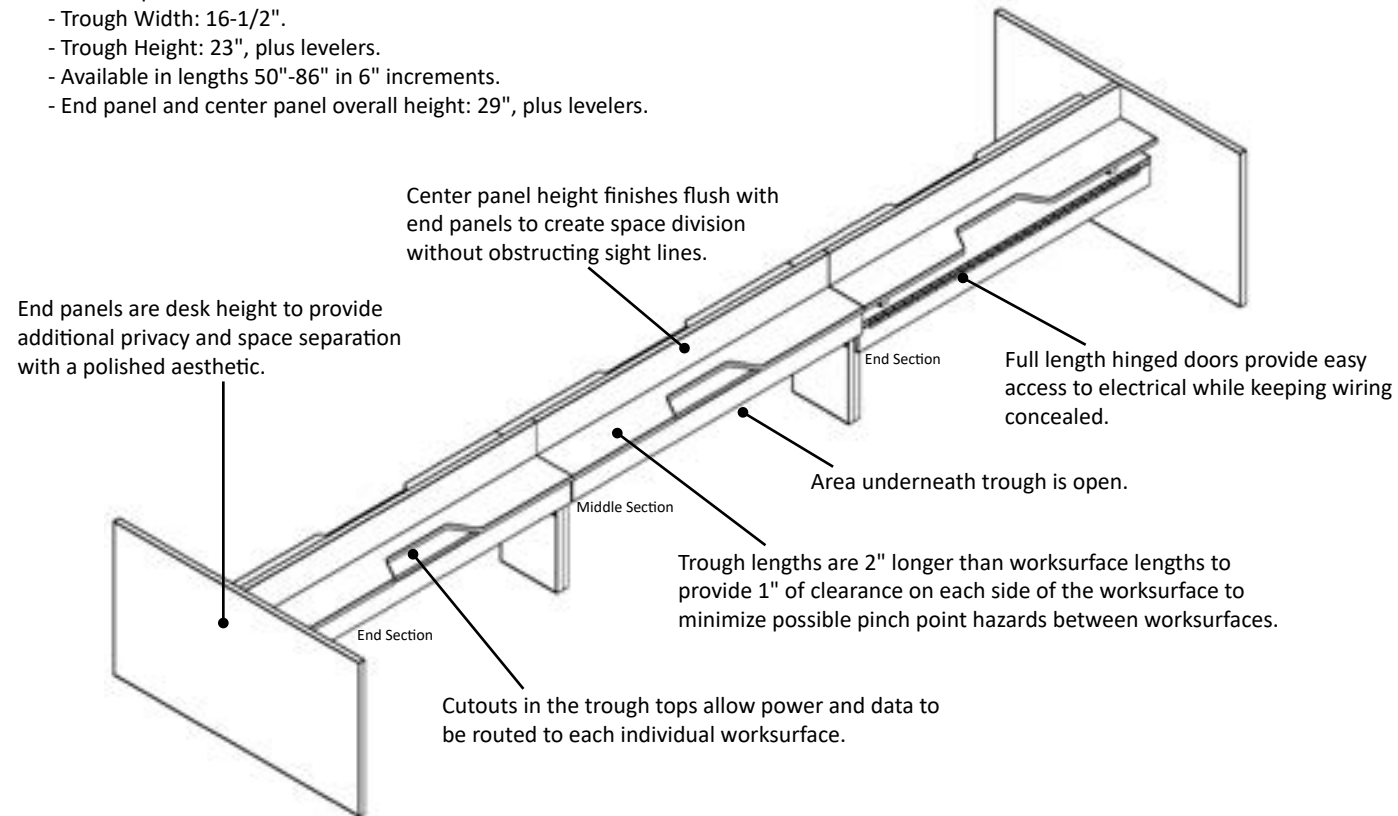


Understanding Hover Raised Panel Troughs

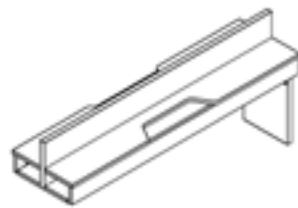
Hover Raised Panel Troughs provide structure to route and conceal power, data and voice from floor core or wall locations to multiple workstations. Raised Panel troughs allow privacy panels to be mounted directly to the raised center panel to increase overall height of privacy.

General Specifications:

- Trough Width: 16-1/2".
- Trough Height: 23", plus levelers.
- Available in lengths 50"-86" in 6" increments.
- End panel and center panel overall height: 29", plus levelers.

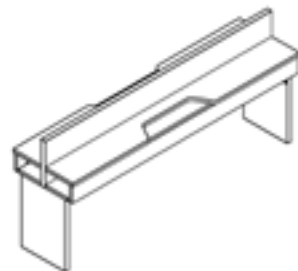


Raised Panel Trough Sections



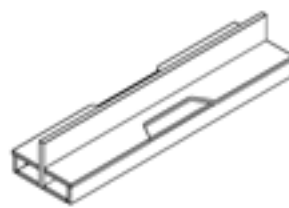
End Section

- Used at beginning and end of bench run.
- Must specify end panel.
- Includes intermediate leg support and supporting brackets.
- Trough sections 80" and 86" long include additional intermediate leg in center.



Middle Section

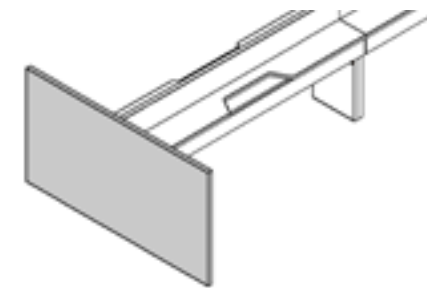
- Used only in the middle of a bench run.
- Middle sections must connect to an end section or another middle section.
- Includes two intermediate support legs and supporting brackets.
- Trough sections 80" and 86" long include additional intermediate leg in center.



Spanning Section

- Used to span between two end panels or divider panels.
- Includes trough section.
- End panels or divider panels must be specified for each spanning section.
- Trough sections 80" and 86" long include additional intermediate leg in center.

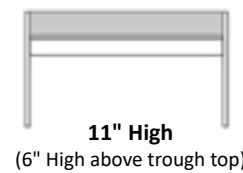
Raised Panel Trough End Panel Options



Desk Height End Panels

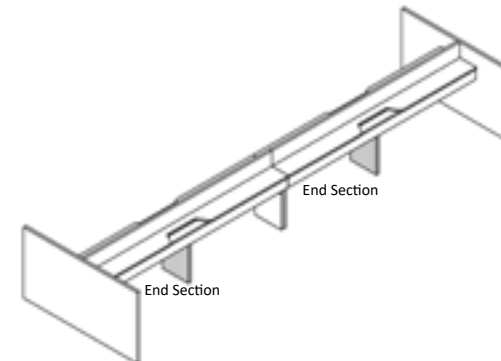
- End Panels are 1-1/8" thick material.
- End Panels increase the overall length of the setup increases by 1-1/8" per end panel.

Raised Panel Trough Center Panel Height



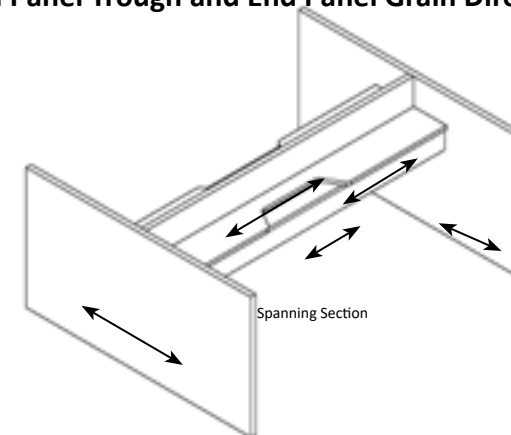
- Center panels are 1-1/8" thick material.
- Glass privacy panels or double sided tackboards can be added to the top edge of center panels for increased privacy.

Raised Panel Trough Intermediate Leg



- 80" and 86" Troughs include an additional intermediate leg support mounted in the center of trough for additional structural support.

Raised Panel Trough and End Panel Grain Direction

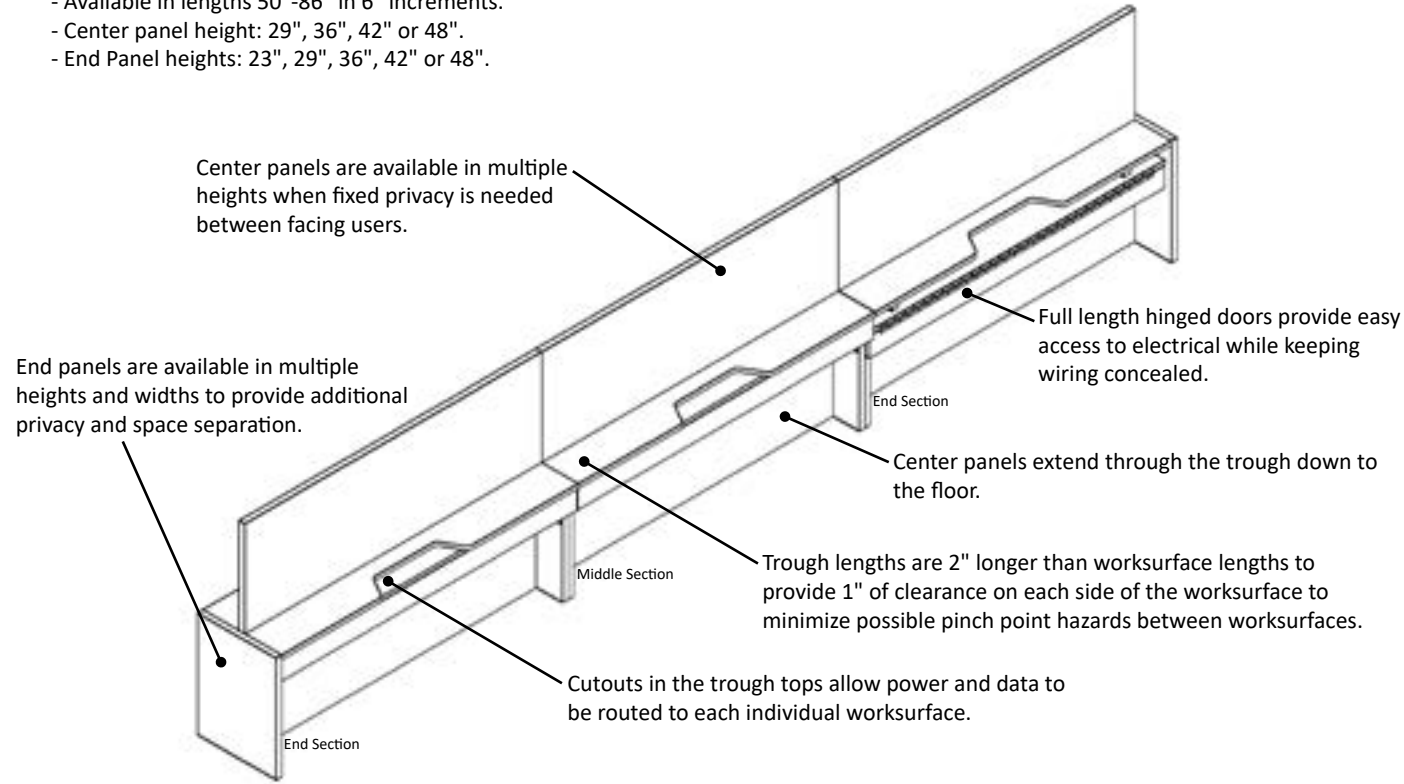


Understanding Hover Partition Troughs

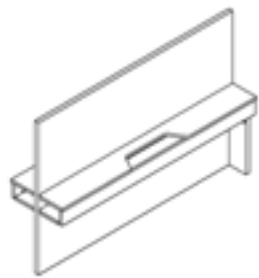
Hover Partition Troughs provide structure to route and conceal power, data and voice from floor core or wall locations to multiple workstations. Partition troughs allow privacy panels to be mounted directly to the raised center panel to increase overall height of privacy. Panel mounted tackboards and whiteboard surfaces can be applied to the center panel for increased functionality.

General Specifications:

- Trough Width: 16-1/2".
- Trough Height: 23", plus levelers.
- Available in lengths 50"-86" in 6" increments.
- Center panel height: 29", 36", 42" or 48".
- End Panel heights: 23", 29", 36", 42" or 48".

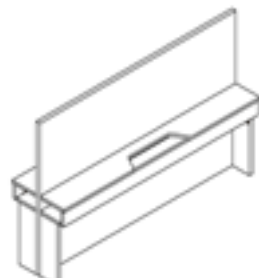


Partition Trough Sections



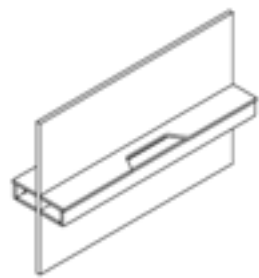
End Section

- Used at beginning and end of bench run.
- Must specify end panel.
- Includes intermediate leg support and supporting brackets.



Middle Section

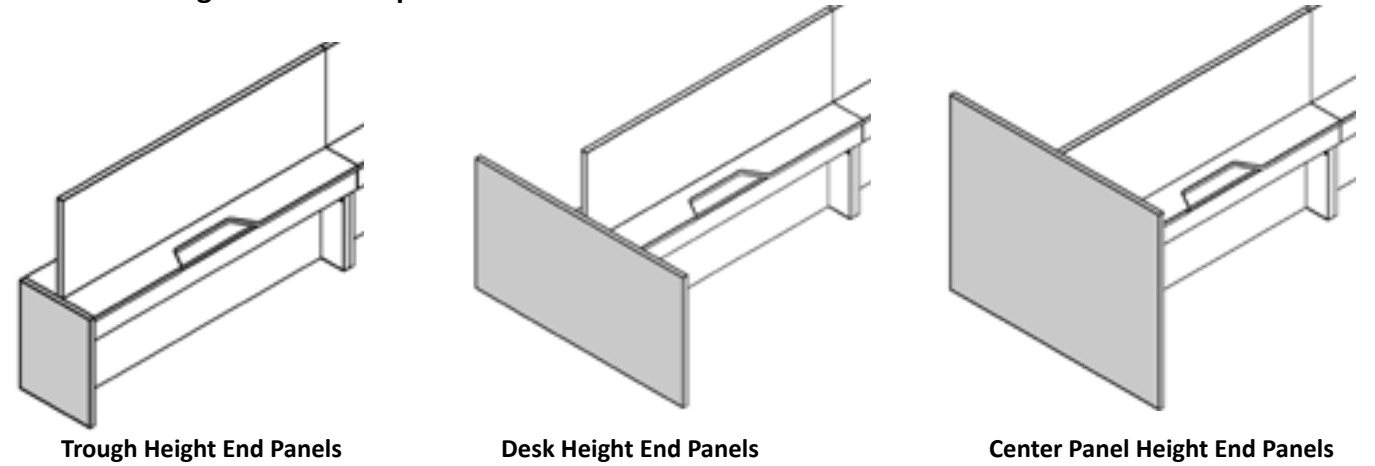
- Used only in the middle of a bench run.
- Middle sections must connect to an end section or another middle section.
- Includes two intermediate support legs and supporting brackets.



Spanning Section

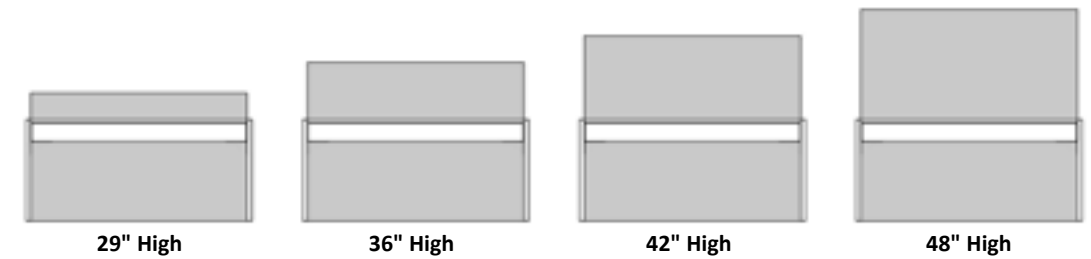
- Used to span between two end panels or divider panels.
- Includes trough section.
- End panels or divider panels must be specified for each spanning section.

Partition Trough End Panel Options



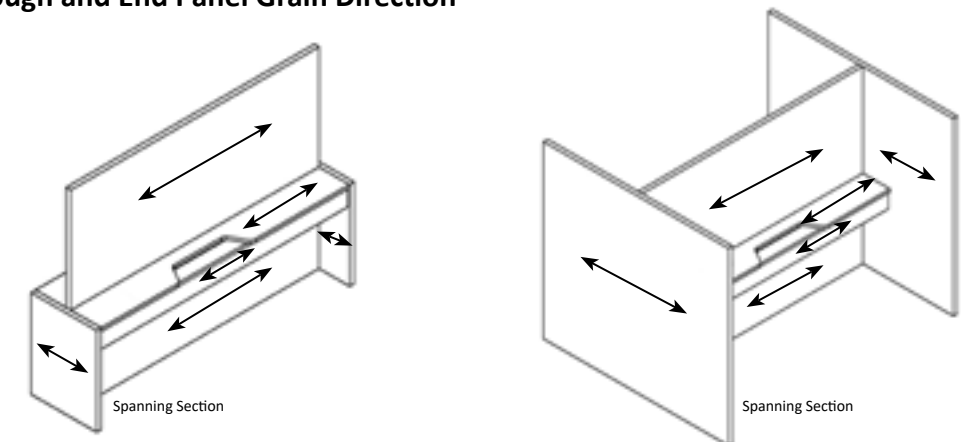
- End Panels are 1-1/8" thick material.
- End Panels increase the overall length of the setup increases by 1-1/8" per end panel.
- 36", 42" & 48" high end panels can only be used with Partition Troughs with the same height center panel or taller center panel.

Partition Trough Center Panel Heights



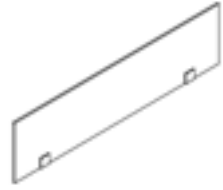
- Center panels are 1-1/8" thick material.
- Panel mounted tackboards can be affixed to center panels. Glass privacy panels or double sided tackboards can be added to the top edge of center panels for increased privacy.
- Whiteboard finish can be added to both sides of the center panels.

Partition Trough and End Panel Grain Direction



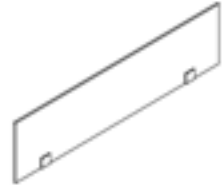
Hover Troughs with Privacy Options

A wide variety of privacy panels can be specified with Hover Troughs and height adjustable tables. Please see the Privacy Panel and Tackboard Pricebook for all sizes and pricing.



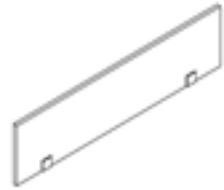
Glass

- 1/4" or 3/8" thick.
- 1/4" max height: 12".
- 3/8" max height: 18".
- Lengths: 18" - 86" in 2" increments.
- Mounted with metal panel clips.



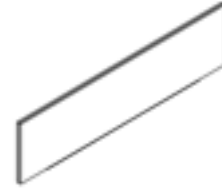
Acrylic

- 3/16" thick frosted.
- 1/4" thick colored.
- Max height: 12".
- Lengths: 18" - 86" in 2" increments.
- Mounted with metal panel clips.



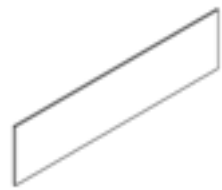
Laminate/Whiteboard

- 3/4" thick.
- Max height: 18".
- Lengths: 18" - 86" in 2" increments.
- Mounted with metal panel clips.



Double Sided Tackboard

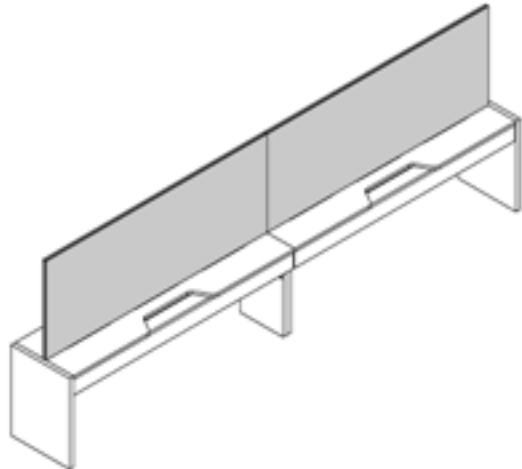
- 1" thick.
- Max height: 24".
- Lengths: 18" - 86" in 2" increments.
- Mounted with concealed metal supports.



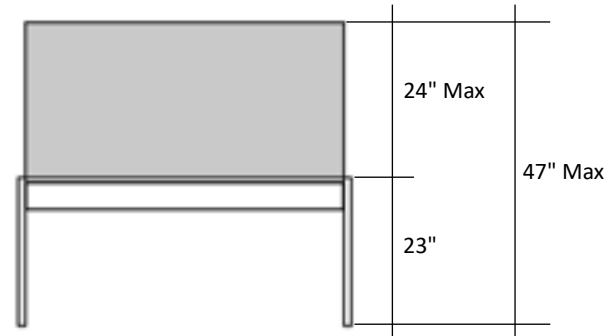
Panel Mounted Tackboard

- 1/2" thick.
- Max height: 22".
- Lengths: 18" - 86" in 2" increments.
- Mounted with metal Z-Clips.
- Cannot be used independently - must be mounted to a surface.

Add-On Privacy Options for Platform Troughs

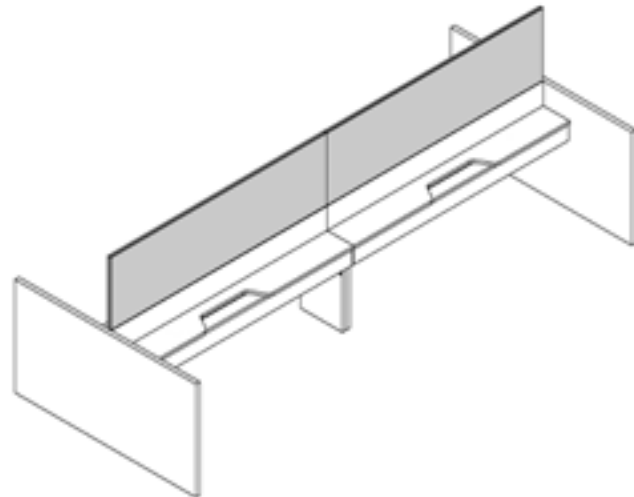


Privacy panels mount directly to the top surface of the Platform Trough.

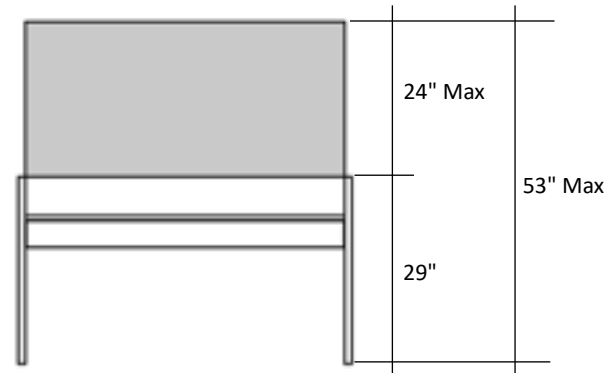


Maximum Height Possible

Add-On Privacy Options for Raised Panel Troughs

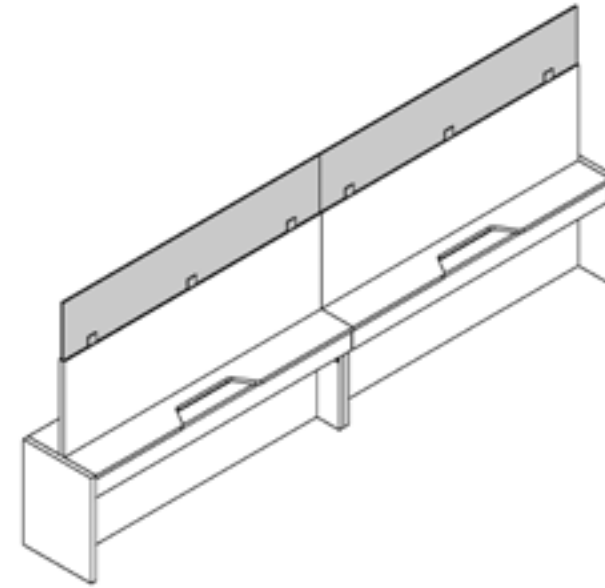


Privacy panels mount to the top edge of the center panel of the Raised Panel Trough.

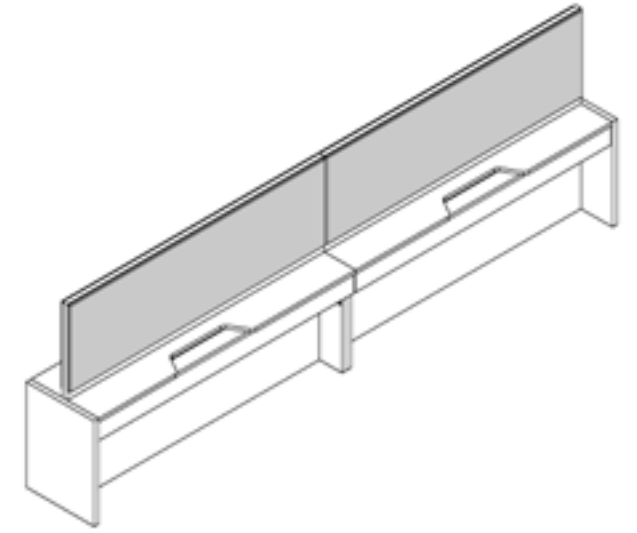


Maximum Height Possible

Add-On Privacy Options for Partition Troughs

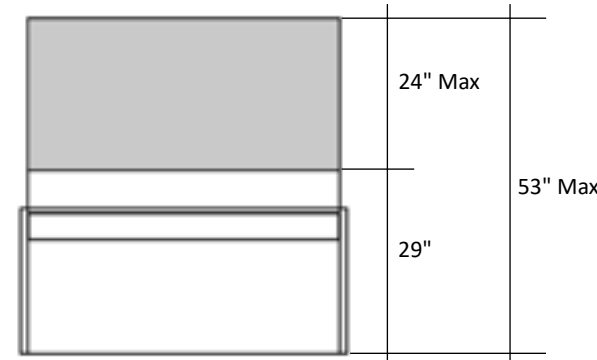


Wall Panel Mounted Privacy Panels

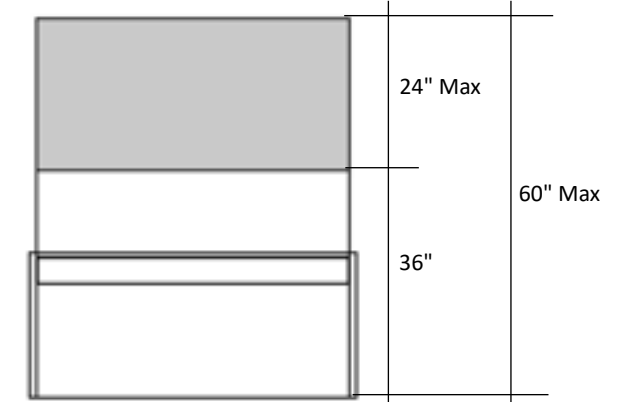


Panel Mounted Tackboards

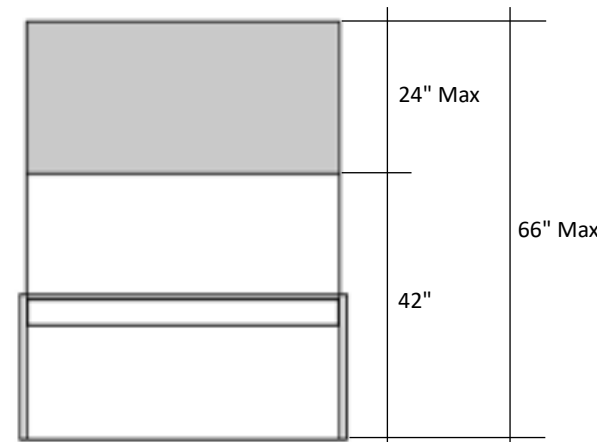
- Privacy panels mount to the top edge of the center panel of the Partition Trough to create height and a greater sense of enclosure.
- Panel mounted tackboards, acoustic tackboards and whiteboards can be mounted to the face of the center wall panels.



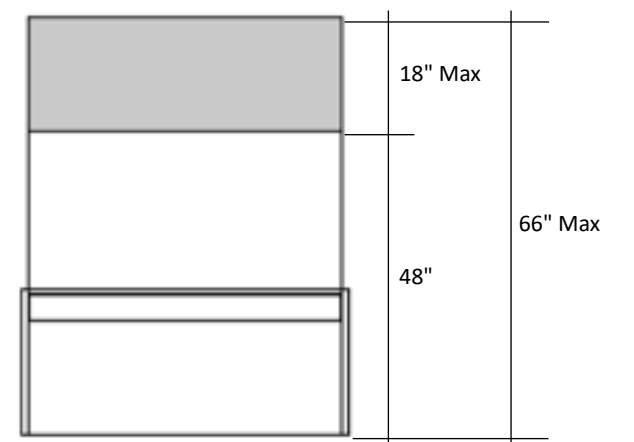
29" High Center Panel



36" High Center Panel



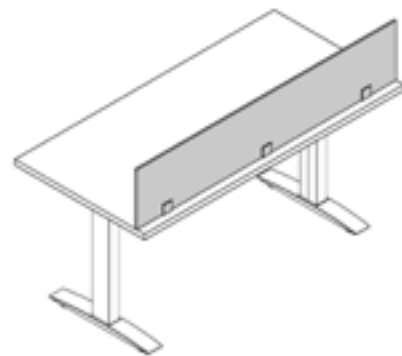
42" High Center Panel



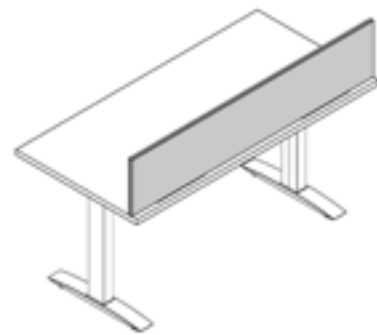
48" High Center Panel

Worksurface Mounted Privacy Options

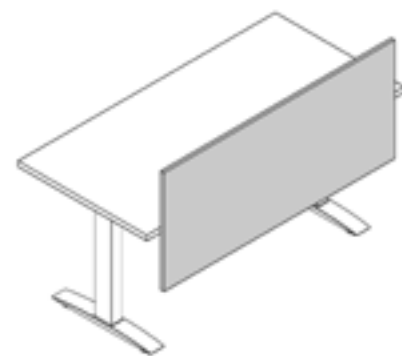
Worksurface mounted privacy panels provide the user with privacy that moves with them.



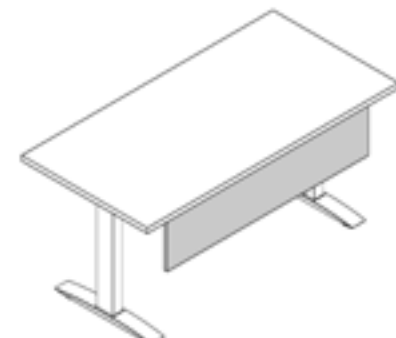
Laminate, Acrylic or Glass Privacy Panels



Double Sided Tackboard Privacy Panels



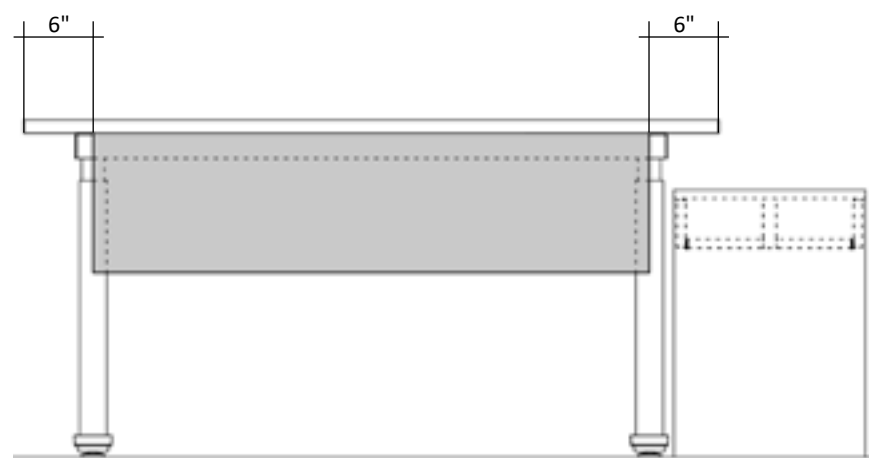
Laminate combination privacy/modesty Panels*
(Acrylic version not available)



Modesty Panels*

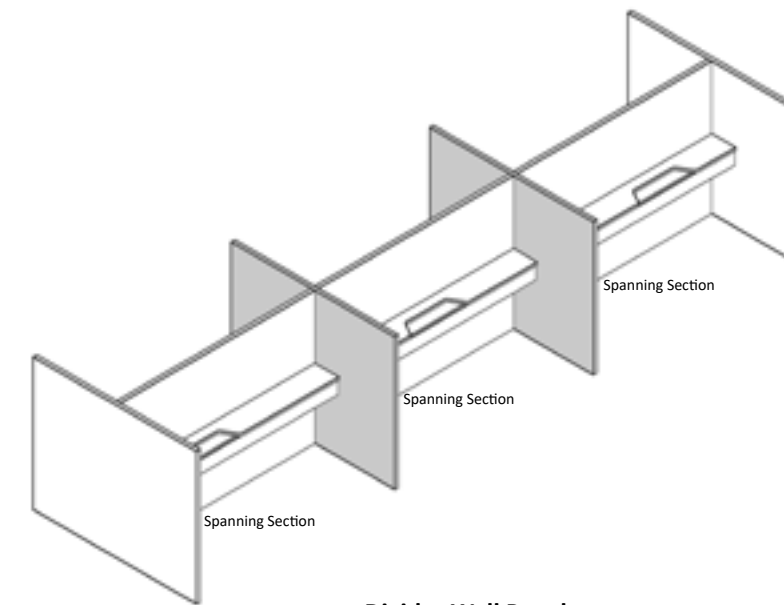
* Only worksurfaces positioned perpendicular to the trough unit can be specified with combination privacy/modesty panels or modesty panels.

Clearances with Hover Tables and Modesty Panels



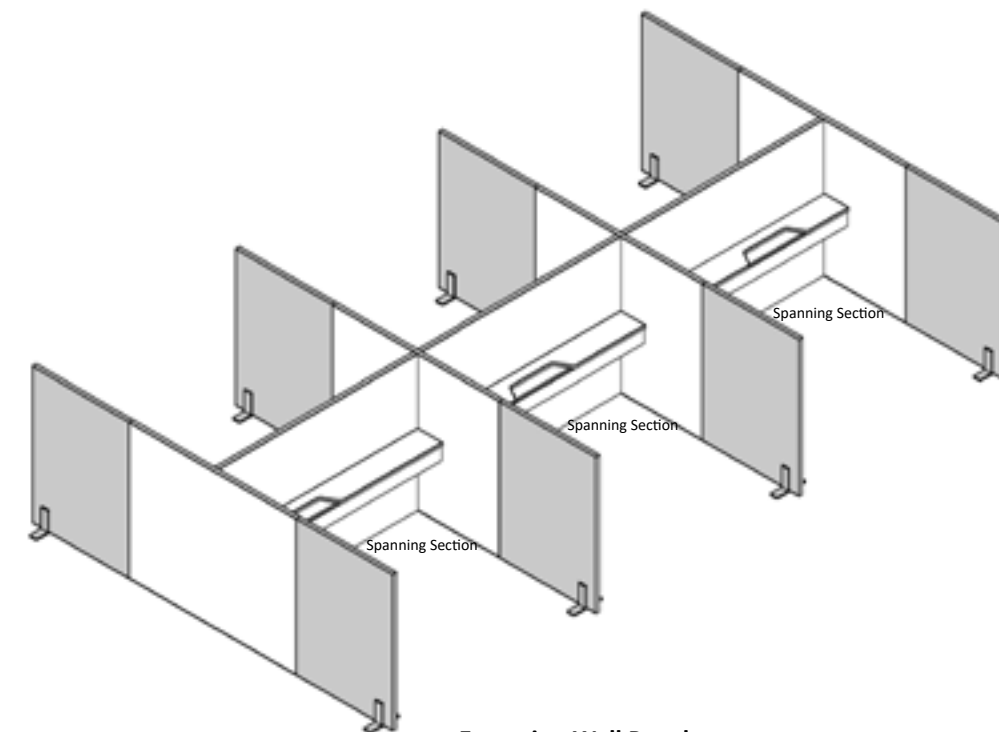
- When a laminate combination panel or modesty panel is specified, it is recommended that the panel be inset 6" from the edge of the work surface to avoid collision with the trough unit.

Space Division Options for Raised Panel and Partition Troughs



Divider Wall Panels

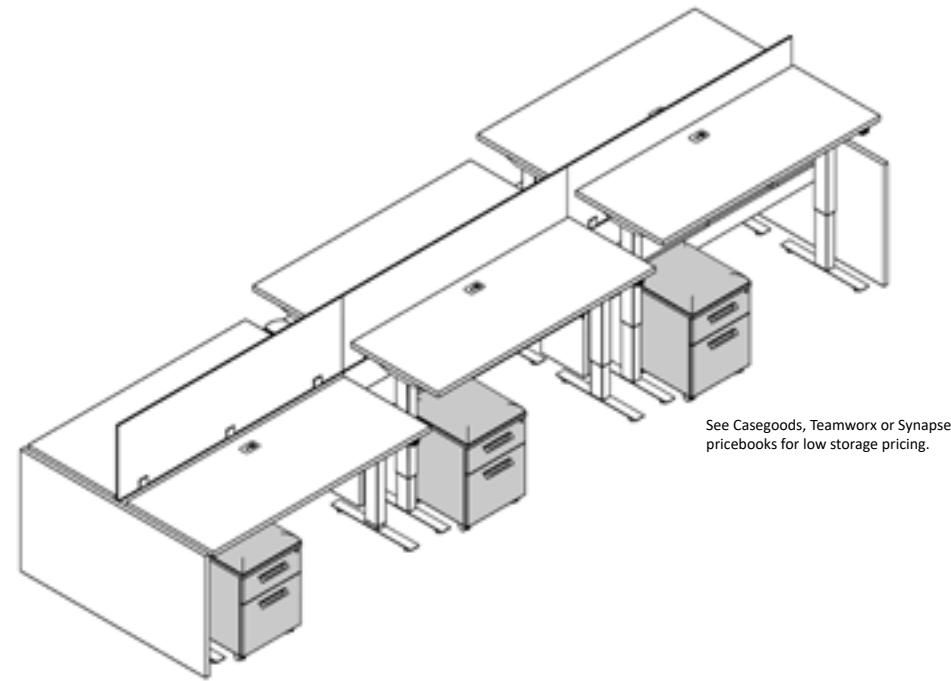
- Separate spanning trough sections to provide space division between individual users.
- Divider Panels increase the overall length of the setup increases by 1-1/8" for each divider panel specified.
- Divider Panels come standard with 2-1/2" grommet cutouts to allow electrical to route from one trough section to the next.
- Adjustable levelers on divider panels allow for 1-1/2" adjustment.



Extension Wall Panels

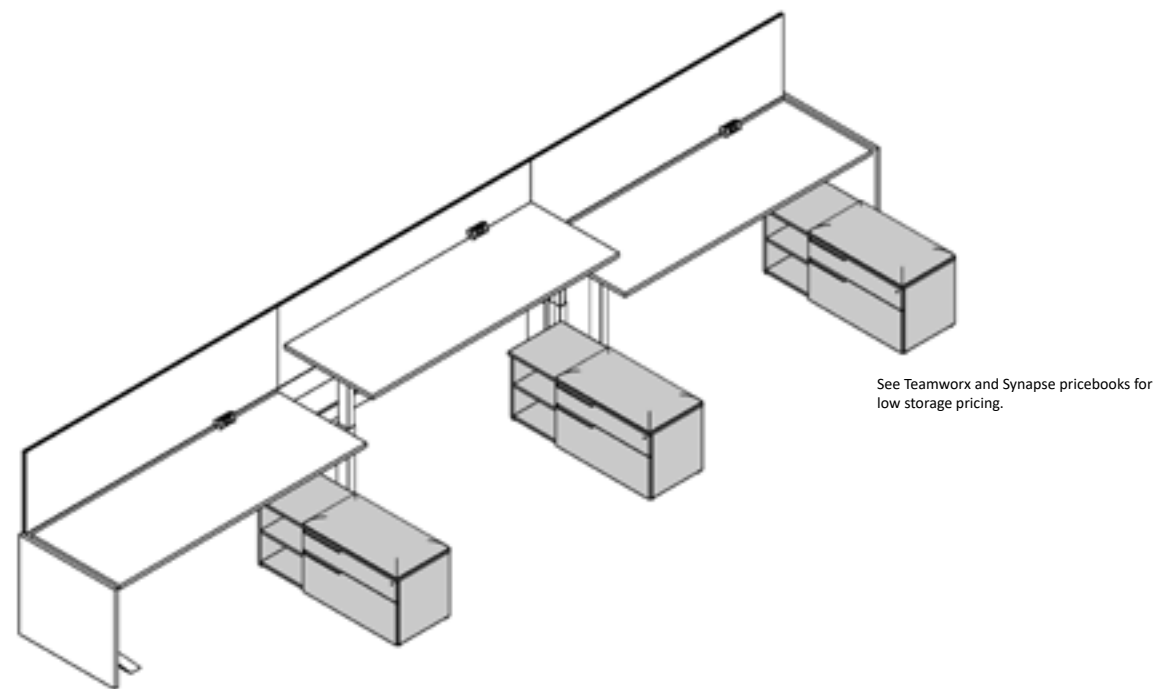
- Extension Panels come standard with Panel T-Foot for stability.
- Must specify Connecting End Panels and Divider Panels with Extension Wall Panels.
- Panels are not handed. The Panel T-Foot ships loose to be permanently secured at time of install.
- Panels are available in lengths 24"-60" in 6" increments. Panels 24"-36" include one T-foot; panels over 36" include two T-feet.
- The Panel T-Foot is 5" high so it will not interfere with Teamworx storage with 5" high legs
- Panels must attach to an end panel or divider panel. Cannot be used as a stand-alone wall.
- Adjustable levelers on extension panels allow for 1-1/2" adjustment.

Hover Storage Options



Mobile Pedestals

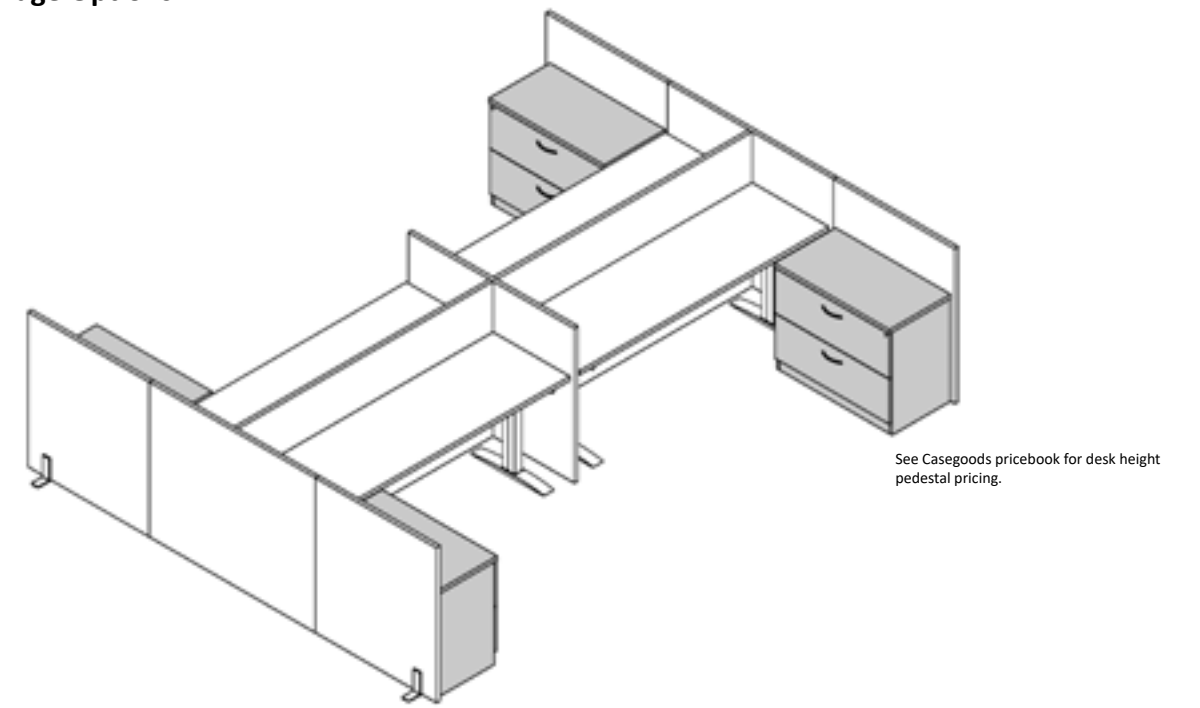
Mobile Box/File pedestals can be used with height adjustable tables to provide individual space to lock up, file and store personal items.



Low Storage

Teamworx and Synapse low storage credenzas can be used perpendicular to the trough units and placed below the height adjustable worksurface to provide space division, storage and casual seating if specified with cushion.

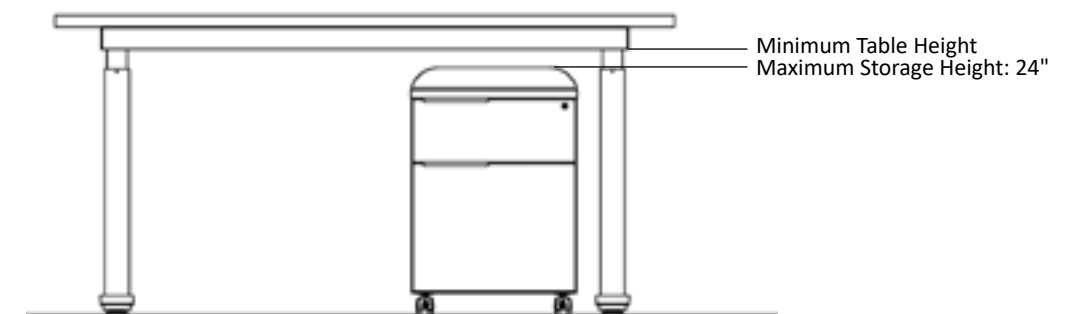
Hover Storage Options



Desk Height Pedestals

Desk height pedestals and credenzas can be placed beside Hover height adjustable tables for addition worksurface space and personal storage. A minimum clearance of 1" should be maintained between worksurface edges and storage units to minimize possible pinch point hazards. Only pedestals with a finished back and top should be specified if the units are not going to be placed in front of an Extension Wall Panel.

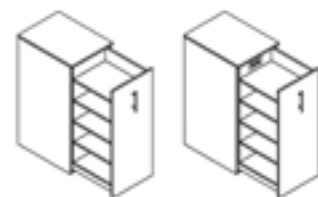
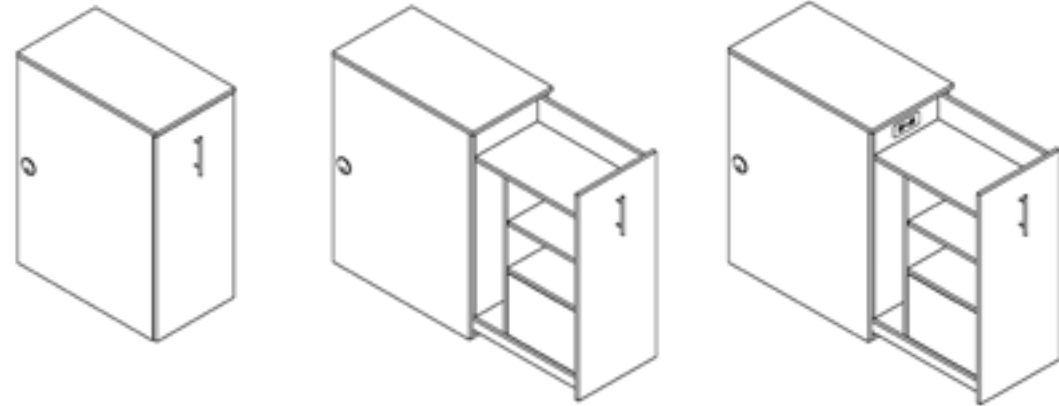
Clearances with Hover Tables and Storage



When storage is to be placed under height adjustable tables, storage heights should not be taller than the base minimum height to make sure the storage will not interfere with the height adjustable base operation.

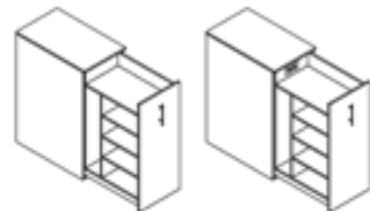
Hover Personal Storage Tower

Personal Storage Tower units can be used to create space division between each user while providing personal storage. Personal storage tower is available in left and right models. Right models are shown.



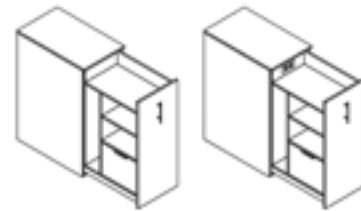
26" Shelf Storage Model

- 26" deep x 18" wide x 42" high.
- Available with and without power.
- Includes one fixed shelf and two adjustable shelves.
- Must specify grommet(s).



32" Shelf Storage Model

- 32" deep x 18" wide x 42" high.
- Available with and without power.
- Includes wardrobe with coat hook, one fixed shelf and two adjustable shelves.
- Must specify grommet(s).



32" File Storage Model

- 32" deep x 18" wide x 42" high.
- Available with and without power.
- Includes wardrobe with coat hook, one file drawer, one fixed shelf and one adjustable shelf.
- Must specify grommet(s).

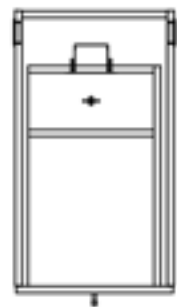
Grommet for Personal Storage Tower

If tower units are placed between trough units, grommets are required to route wiring through the back of the tower cabinet. Grommet placement aligns with trough openings.



HV-GROM-LEFT

One grommet located on left side of tower.



HV-GROM-BOTH

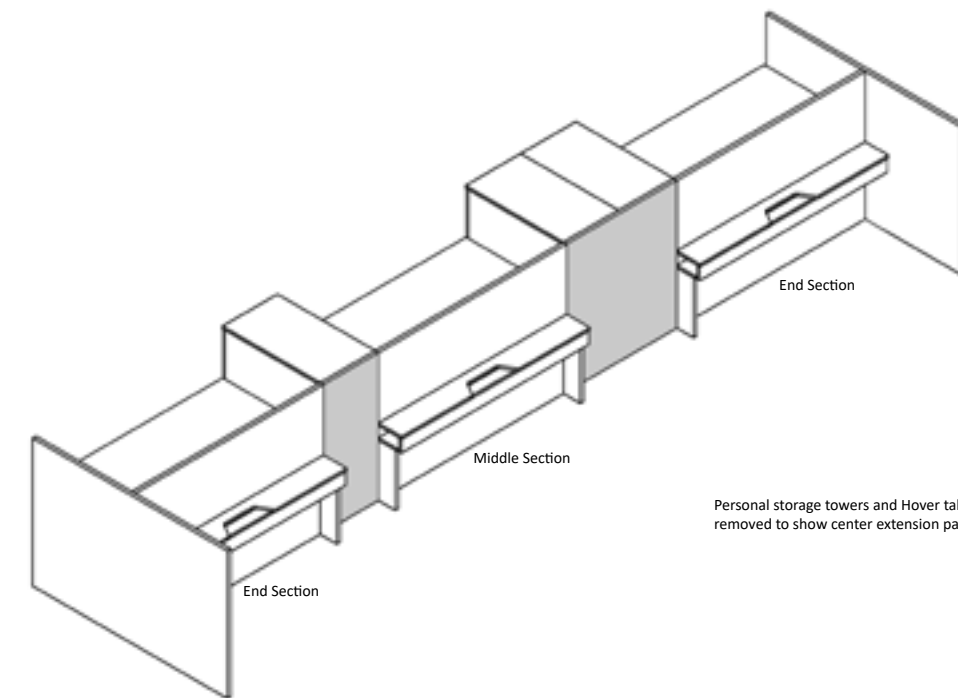
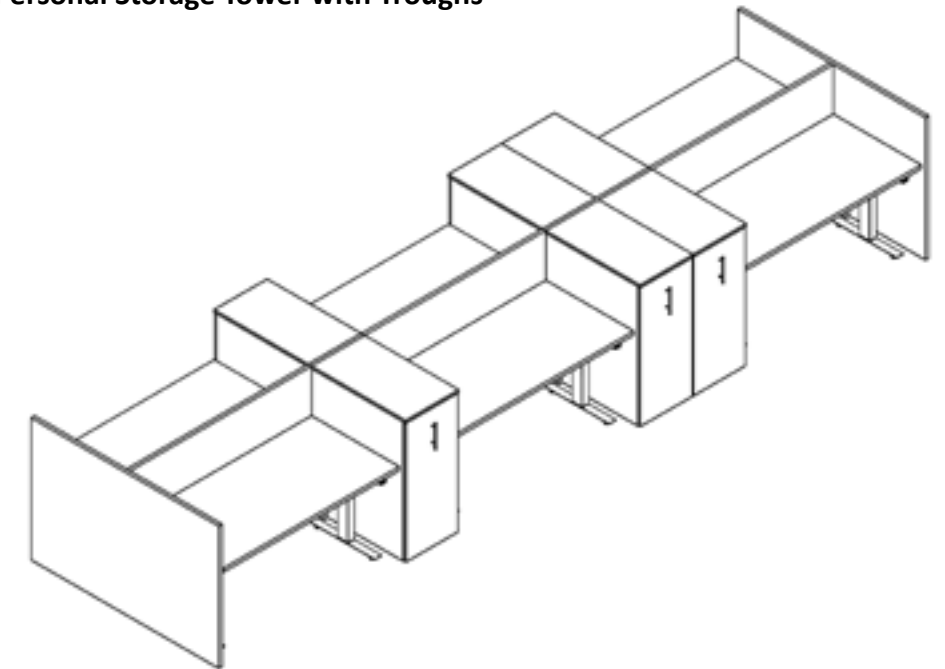
One grommet located on both left and right side of tower.



HV-GROM-RGHT

One grommet located on right side of tower.

Using Hover Personal Storage Tower with Troughs



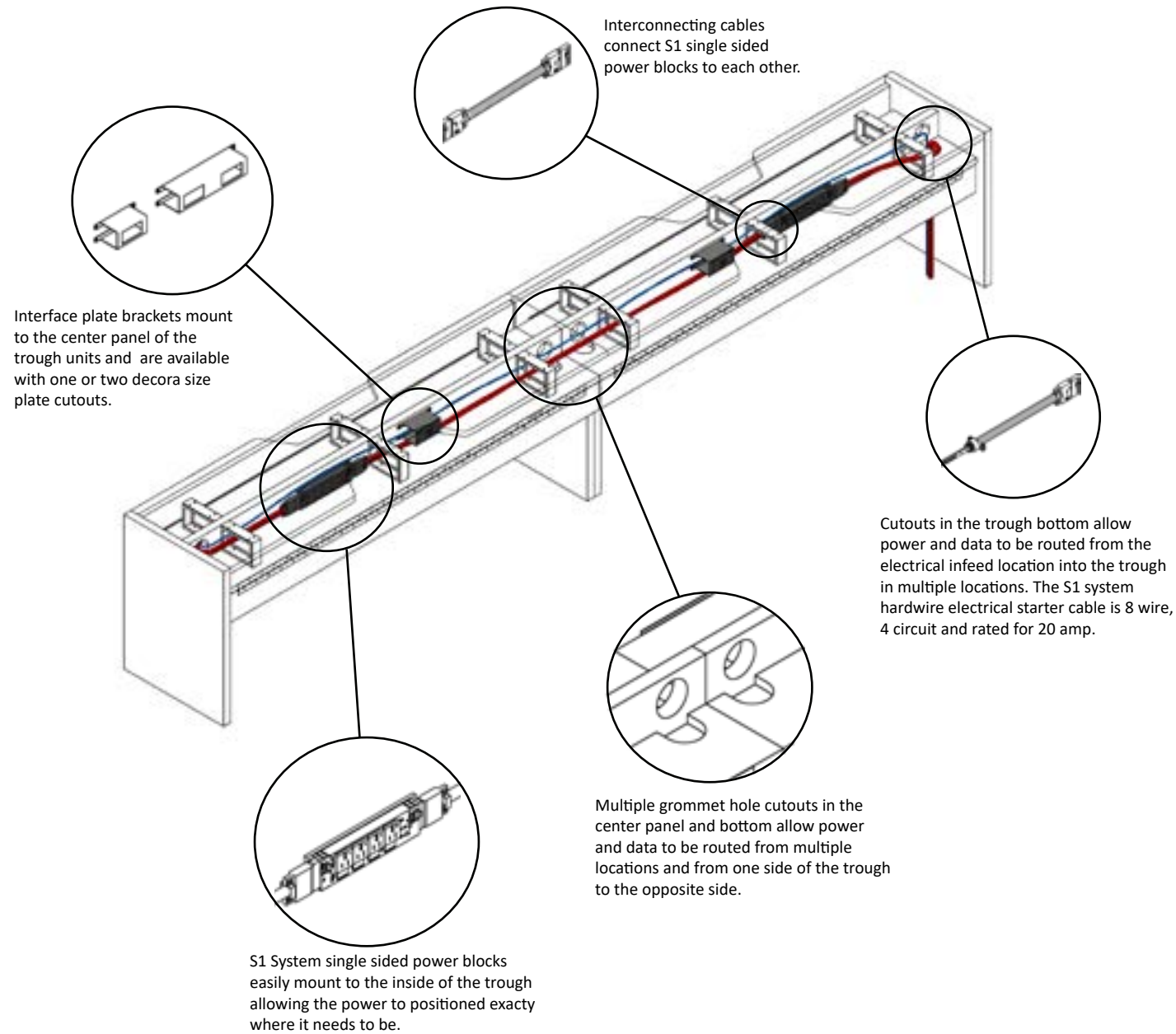
Personal storage towers and Hover tables removed to show center extension panels.

Center Extension Wall Panels

- Center extension panels attach to trough center panels to connect trough sections together with a storage tower between troughs.
- Panels are 1-1/8" thick material and include mechanical biscuit fasteners on both ends.
- Panels are available in lengths 18"-48" in 6" increments to allow one or two storage units to be placed in front of center extension panel.
- Panels must attach to a trough center panel and storage unit. Cannot be used as a stand-alone wall.
- Grain runs horizontal.
- Grommets for routing wiring through the back section of storage towers must be specified.

Hover Electrical

Hover Troughs allow for the horizontal routing of power, voice, data and IT/AV wiring from infeed source to each individual work station.



Hover Worksurface Grommet Location

Rectangle worksurface grommet locations are limited due to the worksurface supports attached to each lifting column on the height adjustable bases. See detailed Grommet Guide on deskmakers.com for more information.



Hover Wire Management to Worksurfaces

Vertical cable managers flex to allow wiring to be concealed and organized while moving with the worksurface as it raises and lowers to prevent binding.

Cable Spine for Freestanding Tables

Used for height adjustable tables when not used with Hover Troughs. Conceals and carries wires to weighted base at floor.



Cable Carrier for Trough Tables

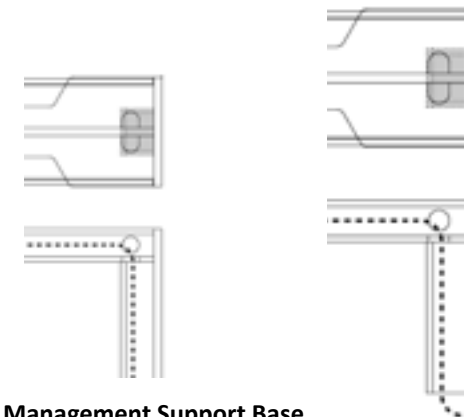
Used for height adjustable tables when used with Hover Troughs. Conceals and carries wires from trough to the underside of the worksurface. Cables simply push into carrier for quick and easy set up.



Hover Electrical Infeed Options

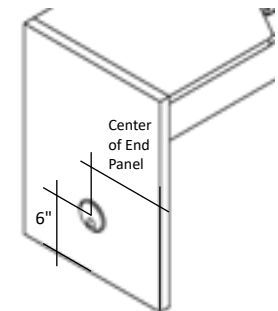
U-Shaped Wire Management Channel

Used to conceal power and data cables routing from infeed locations into trough. Attaches to end panel with magnetic catches and does not provide support. U-Shaped Wire Management Channel is 7" w x 5" d x 18" h.



End Panel Infeed Grommet- "EP"

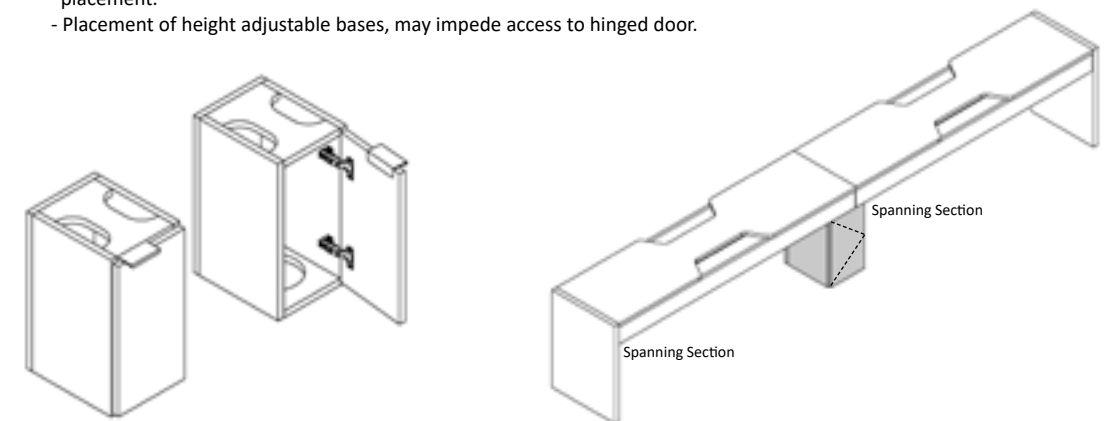
Used when infeed location is not located underneath the trough. Allows cables to route from outside the trough structure through the end panel. Grommet is 2-1/2" diameter. If special placement is required, please provide drawing of location.



Wire Management Support Base

Used on Platform and Raised Panel trough units. The Wire Management Support Base replaces the intermediate leg supports on the trough units. Intended to be placed on top of floor core infeeds. Hinged door allows easy access for installation and future modifications. Includes 6" diameter cutout in bottom and dual cutouts in top to route wires into trough.

- Note:
- Wire management support base is 9" w x 12" d x 18" h. Please check height adjustable base sizes to make sure they do not interfere with base placement.
 - Placement of height adjustable bases, may impede access to hinged door.



S1 System Daisy-Chain 8 Wire, 4 Circuit

See Page 36 of the Electrical Pricebook for pricing and additional options.

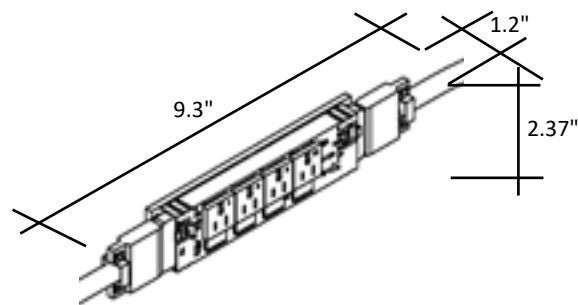


Specifications

- Single sided power blocks
- Simplex outlets are interchangeable permitting required circuit combination
- Interconnecting cables for daisy-chaining power blocks together
- Non-sequential system eliminates numerical sequence of units
- Hardwire or plug-in starter cables
- AC-ELS1-05 units cannot be used inside trough units

S1 System Single Sided Power Block

AC-ELS1-04



Specifications

- (4) power outlets total
- Outlets are removable and interchangeable
- Screw holes for easy installation
- Available as:
 - Outlets with Circuits 1,2,3 & 4
 - Outlets all Circuit 1

ASHRAE 90.1/Title 24 Energy Efficiency Standards

- 50% of hardwired receptacles are required to be controlled to automatically shut off, conserving energy when not in use.
- Controlled receptacles must be marked with the designated NEC standby mark.

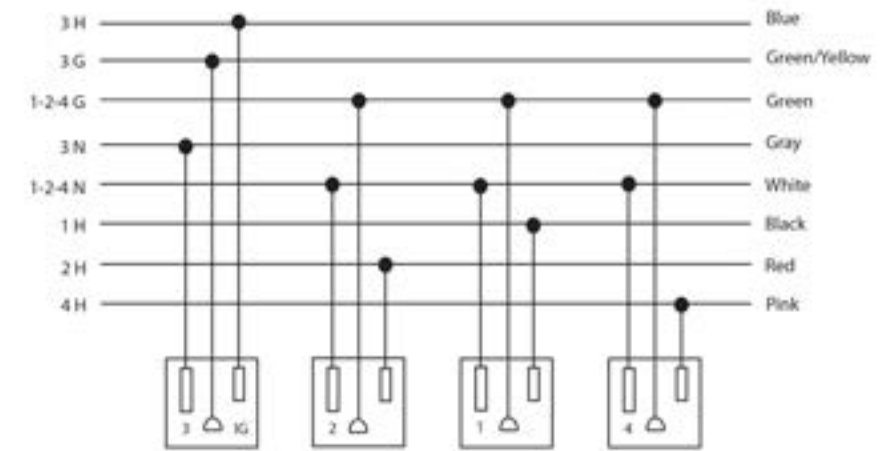
ASHRAE 90.1/Title 24 S1 System Power Block

AC-ELS1-04-T24C



Specifications

- Outlets on Circuits 2 & 4 are controlled
- Outlets on Circuit 1 & 3 are not controlled
- "IG" circuit 3 utility is an isolated circuit and shares neutral and ground

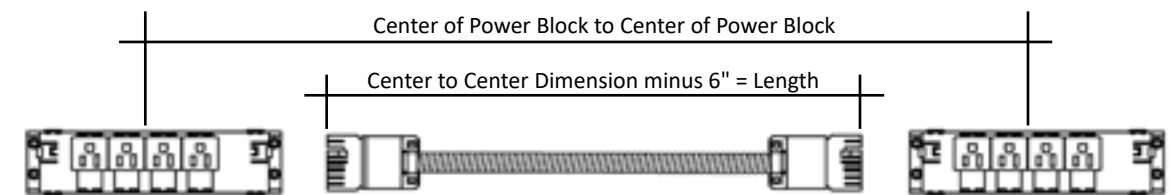
S1 System 8 Wire, 4 Circuit Wiring Schematic



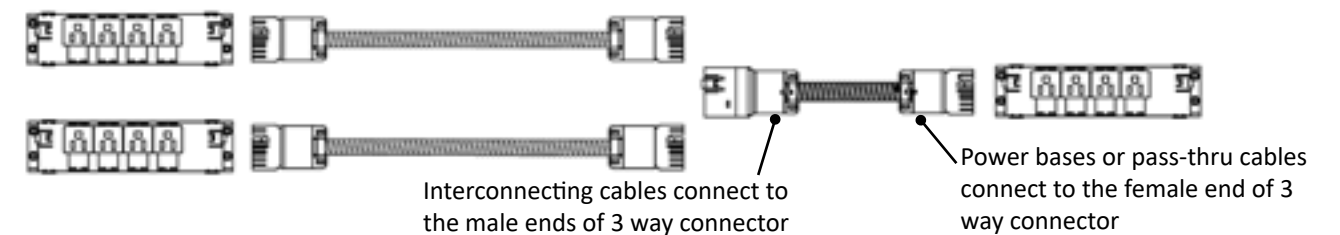
Number of Units per Starter Cable

Starter Cable Type	Single Sided Power Block
 Single Circuit Plug	4 Units
 Four Circuit Hardwire	16 Units

Calculating Interconnecting Cable Length

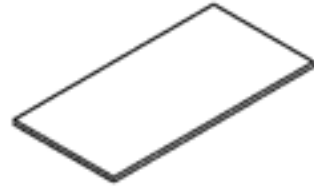


Using S1 System 3 Way Connectors



Rectangular Worksurface

TFL and HPL



			TFL		HPL		
			1-1/8" Thick Standard TFL 2mm PVC	1-1/8" Thick Premium TFL 2mm PVC	1-1/8" Thick Standard HPL 2mm PVC	1-1/8" Thick MDF Core 2mm PVC Knife	1" Thick Plywood Core Exposed Plywood
Model Number	Depth	Length	T1-A1	T2-A1	H1-A1	H1-K1	H1-P1
24" Deep							
HV-WS01-2448-??-??	24	48	\$401	\$441	\$677	\$786	\$1,230
HV-WS01-2454-??-??	24	54	\$403	\$443	\$680	\$792	\$1,244
HV-WS01-2460-??-??	24	60	\$406	\$446	\$683	\$800	\$1,257
HV-WS01-2466-??-??	24	66	\$408	\$449	\$686	\$806	\$1,271
HV-WS01-2472-??-??	24	72	\$411	\$453	\$687	\$812	\$1,285
HV-WS01-2478-??-??	24	78	\$505	\$556	\$869	\$1,020	\$1,620
HV-WS01-2484-??-??	24	84	\$508	\$559	\$872	\$1,026	\$1,633
30" Deep							
HV-WS01-3048-??-??	30	48	\$543	\$597	\$948	\$1,094	\$1,724
HV-WS01-3054-??-??	30	54	\$546	\$601	\$949	\$1,102	\$1,738
HV-WS01-3060-??-??	30	60	\$548	\$602	\$952	\$1,108	\$1,752
HV-WS01-3066-??-??	30	66	\$549	\$604	\$955	\$1,114	\$1,766
HV-WS01-3072-??-??	30	72	\$552	\$607	\$959	\$1,120	\$1,780
HV-WS01-3078-??-??	30	78	\$695	\$765	\$1,230	\$1,429	\$2,273
HV-WS01-3084-??-??	30	84	\$697	\$767	\$1,233	\$1,436	\$2,287
36" Deep							
HV-WS01-3648-??-??	36	48	\$546	\$601	\$949	\$1,102	\$1,738
HV-WS01-3654-??-??	36	54	\$548	\$602	\$952	\$1,108	\$1,752
HV-WS01-3660-??-??	36	60	\$549	\$604	\$955	\$1,114	\$1,766
HV-WS01-3666-??-??	36	66	\$552	\$607	\$959	\$1,120	\$1,780
HV-WS01-3672-??-??	36	72	\$555	\$610	\$962	\$1,126	\$1,794
HV-WS01-3678-??-??	36	78	\$697	\$767	\$1,233	\$1,436	\$2,287
HV-WS01-3684-??-??	36	84	\$700	\$770	\$1,236	\$1,442	\$2,301

- TFL worksurfaces are only available with DeskMakers standard 2MM PVC edgebanding.
- HPL worksurfaces with 2mm PVC edges are only available with DeskMakers standard 2MM PVC edgebanding.
- For rounded corners use OP-EDGE-RND for an additional \$196 per top.
- Please see the Cleaning and Care Guide for maintenance information.

120 Degree Worksurface

TFL and HPL



			TFL		HPL		
			1-1/8" Thick Standard TFL 2mm PVC	1-1/8" Thick Premium TFL 2mm PVC	1-1/8" Thick Standard HPL 2mm PVC	1-1/8" Thick MDF Core 2mm PVC Knife	1" Thick Plywood Core Exposed Plywood
Model Number	Depth	Length	T1-A1	T2-A1	H1-A1	H1-K1	H1-P1
24" Deep							
HV-WS45-4242-??-??	42	42	\$927	\$1,020	\$1,463	\$1,990	\$2,435
HV-WS45-4848-??-??	48	48	\$1,192	\$1,311	\$1,884	\$2,024	\$2,490
HV-WS45-5454-??-??	54	54	\$1,430	\$1,573	\$2,259	\$2,054	\$2,544
30" Deep							
HV-WS46-4242-??-??	42	42	\$1,009	\$1,110	\$1,593	\$2,001	\$2,455
HV-WS46-4848-??-??	48	48	\$1,272	\$1,399	\$2,008	\$2,035	\$3,529
HV-WS46-5454-??-??	54	54	\$1,509	\$1,660	\$2,383	\$2,067	\$3,582

- TFL worksurfaces are only available with DeskMakers standard 2MM PVC edgebanding.
- HPL worksurfaces with 2mm PVC edges are only available with DeskMakers standard 2MM PVC edgebanding.
- Please see the Cleaning and Care Guide for maintenance information.

90 Degree Worksurface

TFL and HPL



Model Number	Depth	Length	TFL		HPL			
			1-1/8" Thick Standard TFL 2mm PVC	1-1/8" Thick Premium TFL 2mm PVC	1-1/8" Thick Standard HPL 2mm PVC	1-1/8" Thick MDF Core 2mm PVC Knife	1" Thick Plywood Core Exposed Plywood	
T1-A1	T2-A1	H1-A1	H1-K1	H1-P1				
24" Deep Return and 24" Deep Workspace								
Left Model	Right Model							
HV-WS07-4266-L-??-??	HV-WS07-4266-R-??-??	42	66	\$1,000	\$1,100	\$1,580	\$1,974	\$2,407
HV-WS07-4272-L-??-??	HV-WS07-4272-R-??-??	42	72	\$1,047	\$1,151	\$1,653	\$1,987	\$2,431
HV-WS07-4278-L-??-??	HV-WS07-4278-R-??-??	42	78	\$1,207	\$1,327	\$1,905	\$2,001	\$2,455
HV-WS07-4866-L-??-??	HV-WS07-4866-R-??-??	48	66	\$1,142	\$1,256	\$1,804	\$1,987	\$2,431
HV-WS07-4872-L-??-??	HV-WS07-4872-R-??-??	48	72	\$1,192	\$1,311	\$1,884	\$2,001	\$2,455
HV-WS07-4878-L-??-??	HV-WS07-4878-R-??-??	48	78	\$1,352	\$1,487	\$2,137	\$2,016	\$2,478
HV-WS07-5466-L-??-??	HV-WS07-5466-R-??-??	54	66	\$1,335	\$1,469	\$2,108	\$2,001	\$3,474
HV-WS07-5472-L-??-??	HV-WS07-5472-R-??-??	54	72	\$1,383	\$1,522	\$2,186	\$2,016	\$3,499
HV-WS07-5478-L-??-??	HV-WS07-5478-R-??-??	54	78	\$1,542	\$1,696	\$2,435	\$2,030	\$3,521
HV-WS07-6066-L-??-??	HV-WS07-6066-R-??-??	60	66	\$1,454	\$1,600	\$2,296	\$2,016	\$3,499
HV-WS07-6072-L-??-??	HV-WS07-6072-R-??-??	60	72	\$1,503	\$1,653	\$2,373	\$2,030	\$3,521
HV-WS07-6078-L-??-??	HV-WS07-6078-R-??-??	60	78	\$1,661	\$1,827	\$2,623	\$2,044	\$3,547

24" Deep Return and 30" Deep Workspace

Left Model	Right Model	Depth	Length	T1-A1	T2-A1	H1-A1	H1-K1	H1-P1
HV-WS08-4266-L-??-??	HV-WS08-4266-R-??-??	42	66	\$1,095	\$1,204	\$1,728	\$2,071	\$2,507
HV-WS08-4272-L-??-??	HV-WS08-4272-R-??-??	42	72	\$1,142	\$1,256	\$1,804	\$2,089	\$2,531
HV-WS08-4278-L-??-??	HV-WS08-4278-R-??-??	42	78	\$1,302	\$1,432	\$2,056	\$2,102	\$2,556
HV-WS08-4866-L-??-??	HV-WS08-4866-R-??-??	48	66	\$1,240	\$1,364	\$1,955	\$2,091	\$2,532
HV-WS08-4872-L-??-??	HV-WS08-4872-R-??-??	48	72	\$1,288	\$1,417	\$2,033	\$2,103	\$2,556
HV-WS08-4878-L-??-??	HV-WS08-4878-R-??-??	48	78	\$1,447	\$1,592	\$2,283	\$2,114	\$2,577
HV-WS08-5466-L-??-??	HV-WS08-5466-R-??-??	54	66	\$1,432	\$1,575	\$2,262	\$2,105	\$3,577
HV-WS08-5472-L-??-??	HV-WS08-5472-R-??-??	54	72	\$1,479	\$1,626	\$2,334	\$2,116	\$3,598
HV-WS08-5478-L-??-??	HV-WS08-5478-R-??-??	54	78	\$1,639	\$1,802	\$2,588	\$2,132	\$3,623
HV-WS08-6066-L-??-??	HV-WS08-6066-R-??-??	60	66	\$1,553	\$1,708	\$2,450	\$2,119	\$3,601
HV-WS08-6072-L-??-??	HV-WS08-6072-R-??-??	60	72	\$1,599	\$1,759	\$2,523	\$2,132	\$3,623
HV-WS08-6078-L-??-??	HV-WS08-6078-R-??-??	60	78	\$1,759	\$1,935	\$2,777	\$2,148	\$3,648

- TFL worksurfaces are only available with DeskMakers standard 2MM PVC edgebanding.
 - HPL worksurfaces with 2mm PVC edges are only available with DeskMakers standard 2MM PVC edgebanding.
 - Please see the Cleaning and Care Guide for maintenance information.

90 Degree Worksurface - Symmetrical

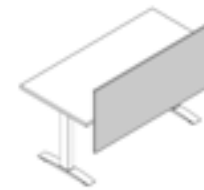
TFL and HPL



Model Number	Depth	Length	TFL		HPL			
			1-1/8" Thick Standard TFL 2mm PVC	1-1/8" Thick Premium TFL 2mm PVC	1-1/8" Thick Standard HPL 2mm PVC	1-1/8" Thick MDF Core 2mm PVC Knife	1" Thick Plywood Core Exposed Plywood	
T1-A1	T2-A1	H1-A1	H1-K1	H1-P1				
24" Deep Return and 24" Deep Workspace								
HV-WS40-4848-??-??	48	48	\$831	\$914	\$1,313	\$1,180	\$1,453	
HV-WS40-5454-??-??	54	54	\$882	\$970	\$1,393	\$1,974	\$2,011	
HV-WS40-6060-??-??	60	60	\$915	\$1,007	\$1,447	\$2,001	\$2,059	
30" Deep Return and 30" Deep Workspace								
HV-WS41-4848-??-??	48	48	\$858	\$944	\$1,354	\$1,207	\$1,482	
HV-WS41-5454-??-??	54	54	\$909	\$1,000	\$1,436	\$2,001	\$2,038	
HV-WS41-6060-??-??	60	60	\$942	\$1,037	\$1,488	\$2,030	\$2,086	

- TFL worksurfaces are only available with DeskMakers standard 2MM PVC edgebanding.
 - HPL worksurfaces with 2mm PVC edges are only available with DeskMakers standard 2MM PVC edgebanding.
 - Please see the Cleaning and Care Guide for maintenance information.

Combination Laminate Privacy/Modesty Panel

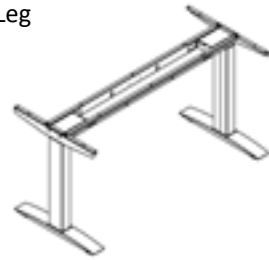


Model Number	Depth	Height	TFL (T)	HPL w/PVC (H)
AC-CMOD-2430-?	30	24	\$465	\$785
AC-CMOD-2436-?	36	24	\$493	\$831
AC-CMOD-2442-?	42	24	\$514	\$864
AC-CMOD-2448-?	48	24	\$539	\$907
AC-CMOD-2454-?	54	24	\$569	\$960
AC-CMOD-2460-?	60	24	\$605	\$1,019
AC-CMOD-2466-?	66	24	\$649	\$1,095
AC-CMOD-2472-?	72	24	\$694	\$1,169
AC-CMOD-2478-?	78	24	\$761	\$1,281
AC-CMOD-2480-?	80	24	\$828	\$1,393

- DeskMakers recommends ordering a modesty panel at least 12" less wide than the work surface on which it will be mounted.
 - Ships unattached. Includes cantilever brackets for mounting.
 - Grain runs horizontally for all sizes.

Hover Lift Height Adjustable Bases

Electric - 2 Leg



Model Number	T-Foot Length	Worksurface Width	Worksurface Length	Price
For 24" and 30" Deep Worksurfaces				
HV-AE23-2448-??	23	24/30	48	\$2,926
HV-AE23-2454-??	23	24/30	54	\$2,943
HV-AE23-2460-??	23	24/30	60	\$2,948
HV-AE23-2466-??	23	24/30	66	\$2,967
HV-AE23-2472-??	23	24/30	72	\$2,980
HV-AE23-2478-??	23	24/30	78	\$2,996
HV-AE23-2484-??	23	24/30	84	\$3,095
For 30" and 36" Deep Worksurfaces				
HV-AE29-3648-??	29	30/36	48	\$2,971
HV-AE29-3654-??	29	30/36	54	\$2,988
HV-AE29-3660-??	29	30/36	60	\$2,993
HV-AE29-3666-??	29	30/36	66	\$3,012
HV-AE29-3672-??	29	30/36	72	\$3,025
HV-AE29-3678-??	29	30/36	78	\$3,041
HV-AE29-3684-??	29	30/36	84	\$3,139

- Please specify base finish when ordering. Premium colors available with 10% increase, OP-COLOR. See page 6 for finish options.
- Tops specified separately.
- Bases ship unassembled.
- Includes adjustable glides. 2" high Casters available, add OP-CAST-OMT-A for \$155 (set of 4).
- Programmable digital control available, add AC-CNTL-DIGI for \$274.
- External safety sensor available, add AC-DRBK-OMT for \$366.

Hover Lift Height Adjustable Bases

Electric - 3 Leg - 120 Degree



Model Number	T-Foot Length	Worksurface Width	Worksurface Length	Price
For 24" Deep Worksurfaces				
HV-AE12-4242-23-??	23	42	42	\$4,147
HV-AE12-4848-23-??	23	48	48	\$4,214
HV-AE12-5454-23-??	23	54	54	\$4,361
For 30" Deep Worksurfaces				
HV-AE12-4242-29-??	29	42	42	\$4,192
HV-AE12-4848-29-??	29	48	48	\$4,258
HV-AE12-5454-29-??	29	54	54	\$4,405

- Please specify base finish when ordering. Premium colors available with 10% increase, OP-COLOR. See page 6 for finish options.
- Tops specified separately.
- Bases ship unassembled.
- Programmable digital control available, add AC-CNTL-DIGI for \$274.
- External safety sensor available, add AC-DRBK-OMT for \$366.

Hover Lift Height Adjustable Bases

Electric - 3 Leg - 90 Degree Symmetrical

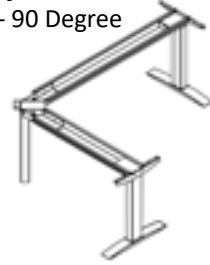


Model Number	T-Foot Length	Worksurface Width	Worksurface Length	Price
For 24" Deep Worksurfaces				
HV-AE90-4848-23-??	23	48	48	\$4,357
HV-AE90-5454-23-??	23	54	54	\$4,424
HV-AE90-6060-23-??	23	60	60	\$4,570
For 30" Deep Worksurfaces				
HV-AE90-4848-29-??	29	48	48	\$4,354
HV-AE90-5454-29-??	29	54	54	\$4,402
HV-AE90-6060-29-??	29	60	60	\$4,468

- Please specify base finish when ordering. Premium colors available with 10% increase, OP-COLOR. See page 6 for finish options.
- Tops specified separately.
- Bases ship unassembled.
- Programmable digital control available, add AC-CNTL-DIGI for \$274.
- External safety sensor available, add AC-DRBK-OMT for \$366.

Hover Lift Adjustable Bases

Electric - 3 Leg - 90 Degree



Model Number	T-Foot Length	Worksurface Width	Worksurface Length	Price
For 24" Deep Return Connection and 24" Deep Workspace				
HV-AE90-4266-23-??	23	42	66	\$4,403
HV-AE90-4272-23-??	23	42	72	\$4,408
HV-AE90-4278-23-??	23	42	78	\$4,427
HV-AE90-4866-23-??	23	48	66	\$4,427
HV-AE90-4872-23-??	23	48	72	\$4,432
HV-AE90-4878-23-??	23	48	78	\$4,451
HV-AE90-5466-23-??	23	54	66	\$4,460
HV-AE90-5472-23-??	23	54	72	\$4,465
HV-AE90-5478-23-??	23	54	78	\$4,484
HV-AE90-6066-23-??	23	60	66	\$4,534
HV-AE90-6072-23-??	23	60	72	\$4,538
HV-AE90-6078-23-??	23	60	78	\$4,558

For 24" Deep Return Connection and 30" Deep Workspace

HV-AE90-4266-29-??	23/29	42	66	\$4,430
HV-AE90-4272-29-??	23/29	42	72	\$4,448
HV-AE90-4278-29-??	23/29	42	78	\$4,452
HV-AE90-4866-29-??	23/29	48	66	\$4,430
HV-AE90-4872-29-??	23/29	48	72	\$4,448
HV-AE90-4878-29-??	23/29	48	78	\$4,452
HV-AE90-5466-29-??	23/29	54	66	\$4,455
HV-AE90-5472-29-??	23/29	54	72	\$4,472
HV-AE90-5478-29-??	23/29	54	78	\$4,476
HV-AE90-6066-29-??	23/29	60	66	\$4,488
HV-AE90-6072-29-??	23/29	60	72	\$4,505
HV-AE90-6078-29-??	23/29	60	78	\$4,510

- Please specify base finish when ordering. Premium colors available with 10% increase, OP-COLOR. See page 6 for finish options.
- Tops specified separately.
- Bases ship unassembled.
- Programmable digital control available, add AC-CNTL-DIGI for \$274.
- External safety sensor available, add AC-DRBK-OMT for \$366.

Hover Reach Height Adjustable Bases - 2 Leg for Rectangular Worksurfaces

Electric - 3 Stage



Model Number	T-Foot Length	Worksurface Width	Worksurface Length	Price
For 24" and 30" Deep Worksurfaces				
ML-3STG-2472-SV	23	24/30	48/72	\$1,220
For 30" and 36" Deep Worksurfaces				
ML-3STG-3072-SV	29	30/36	48/72	\$1,257

- Silver finish standard.
- Tops specified separately. Bases ship unassembled with tool-free quick-install components.
- Includes adjustable steel frame, adjustable glides and programmable digital control.
- Base can accommodate tops up to 84" with the addition of ML-2LEG-EXKT for \$380

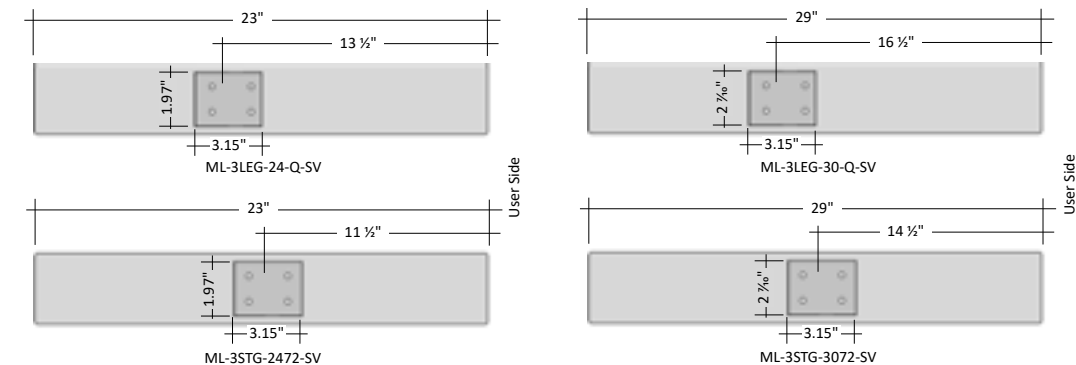
Hover Reach Height Adjustable Bases - 3 Leg for 120 or 90 Degree Worksurfaces

Electric - 3 Stage



Model Number	T-Foot Length	Worksurface Width	Worksurface Length	Price
For 24" and 30" Deep Worksurfaces				
ML-3LEG-24-Q-SV	23	24/30	84x84	\$2,136
For 30" and 36" Deep Worksurfaces				
ML-3LEG-30-Q-SV	29	30/36	84x84	\$2,172

- Silver finish standard.
- Tops specified separately. Bases ship unassembled with tool-free quick-install components.
- Includes adjustable steel frame, adjustable glides and programmable digital control.
- Universal bracket for both 120 degree and 90 degree applications.
- NOTE: The Reach 3-Leg has a C-Leg Style foot - the leg column is slightly off-center, farther from the user side. See below for diagram.



Hover Boost Height Adjustable Bases - 2 Leg for Rectangular Worksurfaces

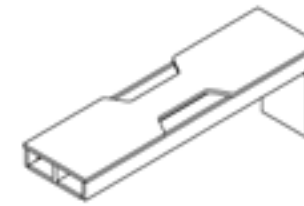
Electric - 2 Stage



Model Number	T-Foot Length	Worksurface Width	Worksurface Length	Price
For 24" and 30" Deep Worksurfaces				
ML-2STG-2472-??	23	24/30	42/72	\$1,047
For 30" and 36" Deep Worksurfaces				
ML-2STG-3072-??	29	30/36	42/72	\$1,080

- Silver finish standard. Black and White may require additional lead time.
- Tops specified separately. Bases ship unassembled with tool-free quick-install components.
- Includes adjustable steel frame, adjustable glides and programmable digital control.
- Base can accommodate tops up to 84" with the addition of ML-2LEG-EXKT for \$380

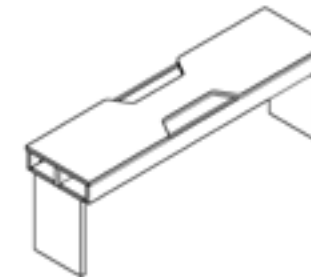
Platform Trough End Section



Model Number	Width	Length	Height	TFL (T)	HPL (H)
HV-PLFE-2350-?	16 1/2	50	23	\$1,050	\$1,657
HV-PLFE-2356-?	16 1/2	56	23	\$1,071	\$1,691
HV-PLFE-2362-?	16 1/2	62	23	\$1,113	\$1,758
HV-PLFE-2368-?	16 1/2	68	23	\$1,219	\$1,924
HV-PLFE-2374-?	16 1/2	74	23	\$1,260	\$1,989
HV-PLFE-2380-?	16 1/2	80	23	\$1,640	\$2,591
HV-PLFE-2386-?	16 1/2	86	23	\$1,682	\$2,656

- 80" and 86" Troughs include an additional leg support mounted in the middle of trough for additional structural support.
- Includes all required metal brackets and adjustable glides.
- Edges are DeskMakers standard 2MM PVC edgebanding for both TFL and HPL finishes.

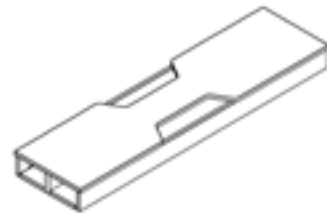
Platform Trough Middle Section



Model Number	Width	Length	Height	TFL (T)	HPL (H)
HV-PLFM-2350-?	16 1/2	50	23	\$1,299	\$2,051
HV-PLFM-2356-?	16 1/2	56	23	\$1,320	\$2,084
HV-PLFM-2362-?	16 1/2	62	23	\$1,362	\$2,151
HV-PLFM-2368-?	16 1/2	68	23	\$1,468	\$2,318
HV-PLFM-2374-?	16 1/2	74	23	\$1,509	\$2,385
HV-PLFM-2380-?	16 1/2	80	23	\$1,891	\$2,986
HV-PLFM-2386-?	16 1/2	86	23	\$1,933	\$3,052

- 80" and 86" Troughs include an additional leg support mounted in the middle of trough for additional structural support.
- Includes all required metal brackets and adjustable glides.
- Edges are DeskMakers standard 2MM PVC edgebanding for both TFL and HPL finishes.

Platform Trough Spanning Section

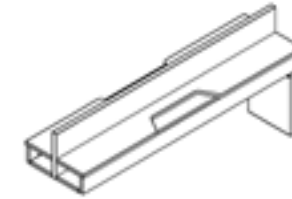


Model Number	Width	Length	Height	TFL (T)	HPL (H)
HV-PLFS-2350-?	16 1/2	50	23	\$799	\$1,262
HV-PLFS-2356-?	16 1/2	56	23	\$822	\$1,296
HV-PLFS-2362-?	16 1/2	62	23	\$862	\$1,362
HV-PLFS-2368-?	16 1/2	68	23	\$970	\$1,529
HV-PLFS-2374-?	16 1/2	74	23	\$1,010	\$1,595
HV-PLFS-2380-?	16 1/2	80	23	\$1,391	\$2,197
HV-PLFS-2386-?	16 1/2	86	23	\$1,435	\$2,262

- 80" and 86" Troughs include an additional leg support mounted in the middle of trough for additional structural support.
- Includes all required metal brackets and adjustable glides.
- Edges are DeskMakers standard 2MM PVC edgebanding for both TFL and HPL finishes.

Raised Panel Trough End Section

11" High Center Panel (6" high above trough top)

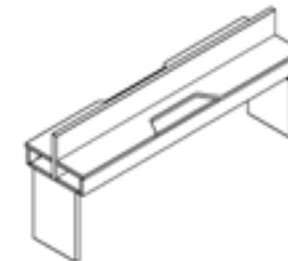


Model Number	Width	Length	Height	TFL (T)	HPL (H)
HV-RPLE-1150-?	16 1/2	50	29	\$1,181	\$1,865
HV-RPLE-1156-?	16 1/2	56	29	\$1,207	\$1,906
HV-RPLE-1162-?	16 1/2	62	29	\$1,254	\$1,979
HV-RPLE-1168-?	16 1/2	68	29	\$1,364	\$2,153
HV-RPLE-1174-?	16 1/2	74	29	\$1,409	\$2,224
HV-RPLE-1180-?	16 1/2	80	29	\$1,830	\$2,890
HV-RPLE-1186-?	16 1/2	86	29	\$1,877	\$2,962

- 80" and 86" Troughs include an additional leg support mounted in the middle of trough for additional structural support.
- Includes all required metal brackets and adjustable glides.
- Edges are DeskMakers standard 2MM PVC edgebanding for both TFL and HPL finishes.

Raised Panel Trough Middle Section

11" High Center Panel (6" high above trough top)

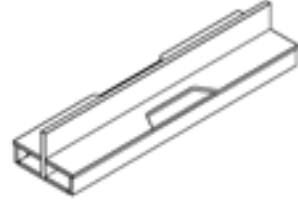


Model Number	Width	Length	Height	TFL (T)	HPL (H)
HV-RPLM-1150-?	16 1/2	50	29	\$1,432	\$2,261
HV-RPLM-1156-?	16 1/2	56	29	\$1,457	\$2,302
HV-RPLM-1162-?	16 1/2	62	29	\$1,503	\$2,373
HV-RPLM-1168-?	16 1/2	68	29	\$1,613	\$2,547
HV-RPLM-1174-?	16 1/2	74	29	\$1,658	\$2,618
HV-RPLM-1180-?	16 1/2	80	29	\$2,081	\$3,284
HV-RPLM-1186-?	16 1/2	86	29	\$2,125	\$3,356

- 80" and 86" Troughs include an additional leg support mounted in the middle of trough for additional structural support.
- Includes all required metal brackets and adjustable glides.
- Edges are DeskMakers standard 2MM PVC edgebanding for both TFL and HPL finishes.

Raised Panel Trough Spanning Section

11" High Center Panel (6" high above trough top)

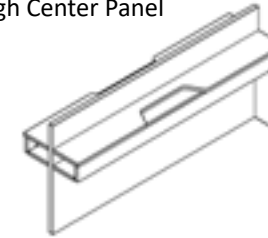


Model Number	Width	Length	Height	TFL (T)	HPL (H)
HV-RPLS-1150-?	16 1/2	50	29	\$932	\$1,471
HV-RPLS-1156-?	16 1/2	56	29	\$957	\$1,513
HV-RPLS-1162-?	16 1/2	62	29	\$1,004	\$1,583
HV-RPLS-1168-?	16 1/2	68	29	\$1,113	\$1,758
HV-RPLS-1174-?	16 1/2	74	29	\$1,157	\$1,828
HV-RPLS-1180-?	16 1/2	80	29	\$1,580	\$2,494
HV-RPLS-1186-?	16 1/2	86	29	\$1,625	\$2,567

- 80" and 86" Troughs include an additional leg support mounted in the middle of trough for additional structural support.
- Includes all required metal brackets and adjustable glides.
- Edges are DeskMakers standard 2MM PVC edgebanding for both TFL and HPL finishes.

Partition Trough End Section

29" High Center Panel

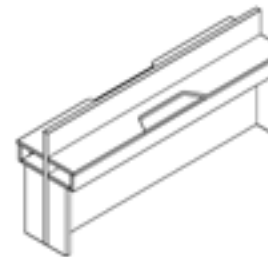


Model Number	Width	Length	Height	TFL (T)	HPL (H)
HV-PRTE-2950-?	16 1/2	50	29	\$1,331	\$2,100
HV-PRTE-2956-?	16 1/2	56	29	\$1,364	\$2,154
HV-PRTE-2962-?	16 1/2	62	29	\$1,418	\$2,238
HV-PRTE-2968-?	16 1/2	68	29	\$1,537	\$2,428
HV-PRTE-2974-?	16 1/2	74	29	\$1,593	\$2,512
HV-PRTE-2980-?	16 1/2	80	29	\$1,770	\$2,795
HV-PRTE-2986-?	16 1/2	86	29	\$1,824	\$2,882

- Includes all required metal brackets and adjustable glides.
- Edges are DeskMakers standard 2MM PVC edgebanding for both TFL and HPL finishes.

Partition Trough Middle Section

29" High Center Panel

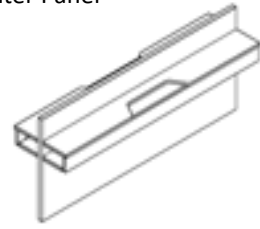


Model Number	Width	Length	Height	TFL (T)	HPL (H)
HV-PRTM-2950-?	16 1/2	50	29	\$1,578	\$2,493
HV-PRTM-2956-?	16 1/2	56	29	\$1,614	\$2,548
HV-PRTM-2962-?	16 1/2	62	29	\$1,667	\$2,634
HV-PRTM-2968-?	16 1/2	68	29	\$1,785	\$2,820
HV-PRTM-2974-?	16 1/2	74	29	\$1,841	\$2,906
HV-PRTM-2980-?	16 1/2	80	29	\$2,019	\$3,191
HV-PRTM-2986-?	16 1/2	86	29	\$2,074	\$3,275

- Includes all required metal brackets and adjustable glides.
- Edges are DeskMakers standard 2MM PVC edgebanding for both TFL and HPL finishes.

Partition Trough Spanning Section

29" High Center Panel

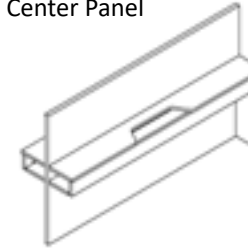


Model Number	Width	Length	Height	TFL (T)	HPL (H)
HV-PRTS-2950-?	16 1/2	50	29	\$1,081	\$1,704
HV-PRTS-2956-?	16 1/2	56	29	\$1,115	\$1,760
HV-PRTS-2962-?	16 1/2	62	29	\$1,169	\$1,844
HV-PRTS-2968-?	16 1/2	68	29	\$1,287	\$2,032
HV-PRTS-2974-?	16 1/2	74	29	\$1,341	\$2,116
HV-PRTS-2980-?	16 1/2	80	29	\$1,521	\$2,401
HV-PRTS-2986-?	16 1/2	86	29	\$1,575	\$2,488

- Includes all required metal brackets and adjustable glides.
 - Edges are DeskMakers standard 2MM PVC edgebanding for both TFL and HPL finishes.

Partition Trough End Section

36" High Center Panel

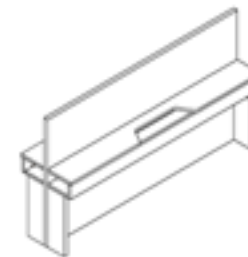


Model Number	Width	Length	Height	TFL (T)	HPL (H)
HV-PRTE-3650-?	16 1/2	50	36	\$1,397	\$2,203
HV-PRTE-3656-?	16 1/2	56	36	\$1,435	\$2,264
HV-PRTE-3662-?	16 1/2	62	36	\$1,492	\$2,353
HV-PRTE-3668-?	16 1/2	68	36	\$1,613	\$2,547
HV-PRTE-3674-?	16 1/2	74	36	\$1,670	\$2,636
HV-PRTE-3680-?	16 1/2	80	36	\$1,852	\$2,927
HV-PRTE-3686-?	16 1/2	86	36	\$1,910	\$3,017

- Includes all required metal brackets and adjustable glides.
 - Edges are DeskMakers standard 2MM PVC edgebanding for both TFL and HPL finishes.

Partition Trough Middle Section

36" High Center Panel

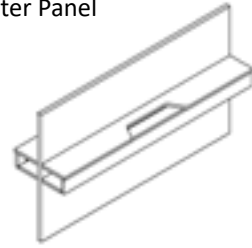


Model Number	Width	Length	Height	TFL (T)	HPL (H)
HV-PRTM-3650-?	16 1/2	50	36	\$1,646	\$2,598
HV-PRTM-3656-?	16 1/2	56	36	\$1,682	\$2,656
HV-PRTM-3662-?	16 1/2	62	36	\$1,740	\$2,747
HV-PRTM-3668-?	16 1/2	68	36	\$1,862	\$2,939
HV-PRTM-3674-?	16 1/2	74	36	\$1,921	\$3,030
HV-PRTM-3680-?	16 1/2	80	36	\$2,104	\$3,321
HV-PRTM-3686-?	16 1/2	86	36	\$2,160	\$3,412

- Includes all required metal brackets and adjustable glides.
 - Edges are DeskMakers standard 2MM PVC edgebanding for both TFL and HPL finishes.

Partition Trough Spanning Section

36" High Center Panel

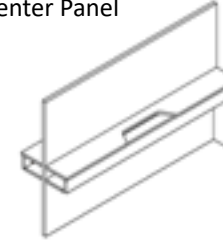


Model Number	Width	Length	Height	TFL (T)	HPL (H)
HV-PRTS-3650-?	16 1/2	50	36	\$1,145	\$1,809
HV-PRTS-3656-?	16 1/2	56	36	\$1,183	\$1,868
HV-PRTS-3662-?	16 1/2	62	36	\$1,241	\$1,959
HV-PRTS-3668-?	16 1/2	68	36	\$1,362	\$2,151
HV-PRTS-3674-?	16 1/2	74	36	\$1,420	\$2,243
HV-PRTS-3680-?	16 1/2	80	36	\$1,604	\$2,532
HV-PRTS-3686-?	16 1/2	86	36	\$1,660	\$2,620

- Includes all required metal brackets and adjustable glides.
 - Edges are DeskMakers standard 2MM PVC edgebanding for both TFL and HPL finishes.

Partition Trough End Section

42" High Center Panel

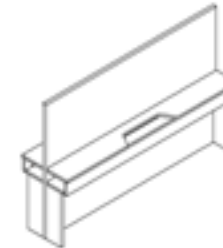


Model Number	Width	Length	Height	TFL (T)	HPL (H)
HV-PRTE-4250-?	16 1/2	50	42	\$1,457	\$2,302
HV-PRTE-4256-?	16 1/2	56	42	\$1,498	\$2,364
HV-PRTE-4262-?	16 1/2	62	42	\$1,559	\$2,461
HV-PRTE-4268-?	16 1/2	68	42	\$1,682	\$2,656
HV-PRTE-4274-?	16 1/2	74	42	\$1,741	\$2,752
HV-PRTE-4280-?	16 1/2	80	42	\$1,929	\$3,046
HV-PRTE-4286-?	16 1/2	86	42	\$1,989	\$3,140

- Includes all required metal brackets and adjustable glides.
 - Edges are DeskMakers standard 2MM PVC edgebanding for both TFL and HPL finishes.

Partition Trough Middle Section

42" High Center Panel

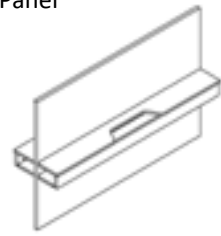


Model Number	Width	Length	Height	TFL (T)	HPL (H)
HV-PRTM-4250-?	16 1/2	50	42	\$1,707	\$2,695
HV-PRTM-4256-?	16 1/2	56	42	\$1,746	\$2,760
HV-PRTM-4262-?	16 1/2	62	42	\$1,809	\$2,854
HV-PRTM-4268-?	16 1/2	68	42	\$1,932	\$3,051
HV-PRTM-4274-?	16 1/2	74	42	\$1,994	\$3,146
HV-PRTM-4280-?	16 1/2	80	42	\$2,176	\$3,439
HV-PRTM-4286-?	16 1/2	86	42	\$2,240	\$3,536

- Includes all required metal brackets and adjustable glides.
 - Edges are DeskMakers standard 2MM PVC edgebanding for both TFL and HPL finishes.

Partition Trough Spanning Section

42" High Center Panel

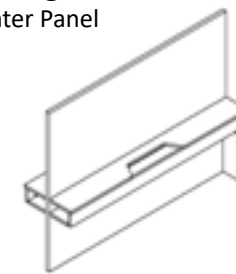


Model Number	Width	Length	Height	TFL (T)	HPL (H)
HV-PRTS-4250-?	16 1/2	50	42	\$1,207	\$1,906
HV-PRTS-4256-?	16 1/2	56	42	\$1,247	\$1,971
HV-PRTS-4262-?	16 1/2	62	42	\$1,308	\$2,065
HV-PRTS-4268-?	16 1/2	68	42	\$1,432	\$2,262
HV-PRTS-4274-?	16 1/2	74	42	\$1,494	\$2,358
HV-PRTS-4280-?	16 1/2	80	42	\$1,678	\$2,650
HV-PRTS-4286-?	16 1/2	86	42	\$1,738	\$2,745

- Includes all required metal brackets and adjustable glides.
 - Edges are DeskMakers standard 2MM PVC edgebanding for both TFL and HPL finishes.

Partition Trough End Section

48" High Center Panel

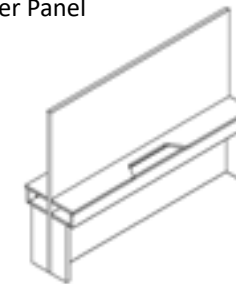


Model Number	Width	Length	Height	TFL (T)	HPL (H)
HV-PRTE-4850-?	16 1/2	50	48	\$1,519	\$2,397
HV-PRTE-4856-?	16 1/2	56	48	\$1,563	\$2,466
HV-PRTE-4862-?	16 1/2	62	48	\$1,625	\$2,566
HV-PRTE-4868-?	16 1/2	68	48	\$1,752	\$2,768
HV-PRTE-4874-?	16 1/2	74	48	\$1,815	\$2,865
HV-PRTE-4880-?	16 1/2	80	48	\$2,004	\$3,167
HV-PRTE-4886-?	16 1/2	86	48	\$2,068	\$3,265

- Includes all required metal brackets and adjustable glides.
 - Edges are DeskMakers standard 2MM PVC edgebanding for both TFL and HPL finishes.

Partition Trough Middle Section

48" High Center Panel

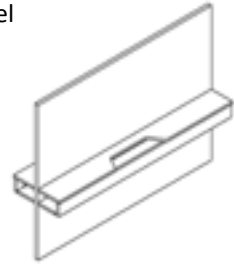


Model Number	Width	Length	Height	TFL (T)	HPL (H)
HV-PRTM-4850-?	16 1/2	50	48	\$1,769	\$2,793
HV-PRTM-4856-?	16 1/2	56	48	\$1,812	\$2,860
HV-PRTM-4862-?	16 1/2	62	48	\$1,876	\$2,962
HV-PRTM-4868-?	16 1/2	68	48	\$2,003	\$3,160
HV-PRTM-4874-?	16 1/2	74	48	\$2,066	\$3,261
HV-PRTM-4880-?	16 1/2	80	48	\$2,253	\$3,559
HV-PRTM-4886-?	16 1/2	86	48	\$2,317	\$3,656

- Includes all required metal brackets and adjustable glides.
 - Edges are DeskMakers standard 2MM PVC edgebanding for both TFL and HPL finishes.

Partition Trough Spanning Section

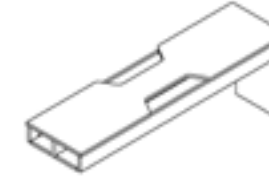
48" High Center Panel



Model Number	Width	Length	Height	TFL (T)	HPL (H)
HV-PRTS-4850-?	16 1/2	50	48	\$1,269	\$2,001
HV-PRTS-4856-?	16 1/2	56	48	\$1,311	\$2,070
HV-PRTS-4862-?	16 1/2	62	48	\$1,376	\$2,172
HV-PRTS-4868-?	16 1/2	68	48	\$1,503	\$2,372
HV-PRTS-4874-?	16 1/2	74	48	\$1,566	\$2,474
HV-PRTS-4880-?	16 1/2	80	48	\$1,755	\$2,769
HV-PRTS-4886-?	16 1/2	86	48	\$1,817	\$2,869

- Includes all required metal brackets and adjustable glides.
 - Edges are DeskMakers standard 2MM PVC edgebanding for both TFL and HPL finishes.

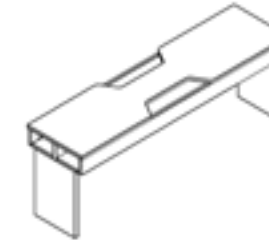
Platform 120 Trough End Section



Model Number	Width	Length	Height	TFL (T)	HPL (H)
For 42" 120 Degree Worksurfaces					
HV-L12E-2339-?	16 1/2	39 1/4	23	\$1,013	\$1,599
For 48" 120 Degree Worksurfaces					
HV-L12E-2345-?	16 1/2	45 1/4	23	\$1,033	\$1,634
For 54" 120 Degree Worksurfaces					
HV-L12E-2351-?	16 1/2	51 1/4	23	\$1,075	\$1,699

- Includes all required metal brackets and adjustable glides.
 - Edges are DeskMakers standard 2MM PVC edgebanding for both TFL and HPL finishes.

Platform 120 Trough Middle Section



Model Number	Width	Length	Height	TFL (T)	HPL (H)
For 42" 120 Degree Worksurfaces					
HV-L12M-2339-?	16 1/2	39 1/4	23	\$1,263	\$1,994
For 48" 120 Degree Worksurfaces					
HV-L12M-2345-?	16 1/2	45 1/4	23	\$1,285	\$2,029
For 54" 120 Degree Worksurfaces					
HV-L12M-2351-?	16 1/2	51 1/4	23	\$1,328	\$2,095

- Includes all required metal brackets and adjustable glides.
 - Edges are DeskMakers standard 2MM PVC edgebanding for both TFL and HPL finishes.

Platform 120 Trough Triangle Connecting Top

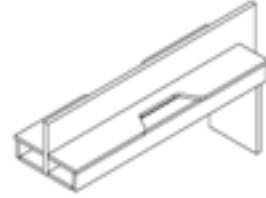


Model Number	Width	Length	TFL (T)	HPL (H)
HV-TRCT-1616-?	16 1/2	16 1/2	\$234	\$353

- Triangle Connecting Top is 3/4" thick material. Edges are DeskMakers standard 2MM PVC edgebanding for both TFL and HPL finishes.
 - Includes L-Brackets to secure top to Platform Trough sections.

Raised Panel 120 Trough End Section

11" High Center Panel (6" high above trough top)

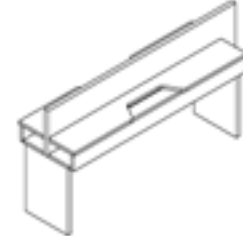


Model Number	Width	Trough Length	Center Panel Length	Height	TFL (T)	HPL (H)
For 42" 120 Degree Worksurfaces						
HV-R12E-1139-?	16 1/2	39 1/4	43 5/8	29	\$1,142	\$1,804
For 48" 120 Degree Worksurfaces						
HV-R12E-1145-?	16 1/2	45 1/4	49 5/8	29	\$1,169	\$1,844
For 54" 120 Degree Worksurfaces						
HV-R12E-1151-?	16 1/2	51 1/4	55 5/8	29	\$1,216	\$1,917

- Includes all required metal brackets and adjustable glides.
 - Edges are DeskMakers standard 2MM PVC edgebanding for both TFL and HPL finishes.

Raised Panel 120 Trough Middle Section

11" High Center Panel (6" high above trough top)

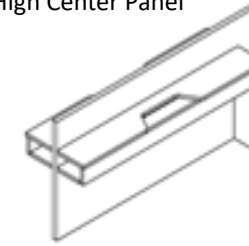


Model Number	Width	Trough Length	Center Panel Length	Height	TFL (T)	HPL (H)
For 42" 120 Degree Worksurfaces						
HV-R12M-1139-?	16 1/2	39 1/4	43 5/8	29	\$1,392	\$2,199
For 48" 120 Degree Worksurfaces						
HV-R12M-1145-?	16 1/2	45 1/4	49 5/8	29	\$1,418	\$2,238
For 54" 120 Degree Worksurfaces						
HV-R12M-1151-?	16 1/2	51 1/4	55 5/8	29	\$1,463	\$2,313

- Includes all required metal brackets and adjustable glides.
 - Edges are DeskMakers standard 2MM PVC edgebanding for both TFL and HPL finishes.

Partition Trough End Section

29" High Center Panel

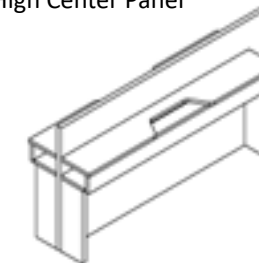


Model Number	Width	Trough Length	Center Panel Length	Height	TFL (T)	HPL (H)
For 42" 120 Degree Worksurfaces						
HV-P12E-2939-?	16 1/2	39 1/4	43 5/8	29	\$1,284	\$2,025
For 48" 120 Degree Worksurfaces						
HV-P12E-2945-?	16 1/2	45 1/4	49 5/8	29	\$1,317	\$2,079
For 54" 120 Degree Worksurfaces						
HV-P12E-2951-?	16 1/2	51 1/4	55 5/8	29	\$1,371	\$2,164

- Includes all required metal brackets and adjustable glides.
 - Edges are DeskMakers standard 2MM PVC edgebanding for both TFL and HPL finishes.

Partition Trough Middle Section

29" High Center Panel

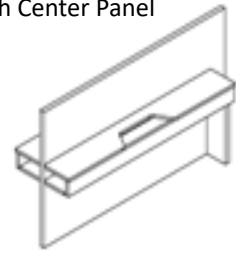


Model Number	Width	Trough Length	Center Panel Length	Height	TFL (T)	HPL (H)
For 42" 120 Degree Worksurfaces						
HV-P12M-2939-?	16 1/2	39 1/4	43 5/8	29	\$1,531	\$2,421
For 48" 120 Degree Worksurfaces						
HV-P12M-2945-?	16 1/2	45 1/4	49 5/8	29	\$1,568	\$2,475
For 54" 120 Degree Worksurfaces						
HV-P12M-2951-?	16 1/2	51 1/4	55 5/8	29	\$1,620	\$2,559

- Includes all required metal brackets and adjustable glides.
 - Edges are DeskMakers standard 2MM PVC edgebanding for both TFL and HPL finishes.

Partition Trough End Section

36" High Center Panel

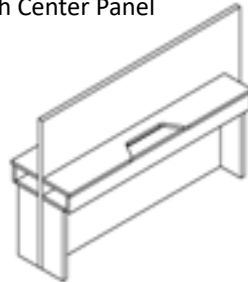


Model Number	Width	Trough Length	Center Panel Length	Height	TFL (T)	HPL (H)
For 42" 120 Degree Worksurfaces						
HV-P12E-3639-?	16 1/2	39 1/4	43 5/8	36	\$1,346	\$2,122
For 48" 120 Degree Worksurfaces						
HV-P12E-3645-?	16 1/2	45 1/4	49 5/8	36	\$1,383	\$2,183
For 54" 120 Degree Worksurfaces						
HV-P12E-3651-?	16 1/2	51 1/4	55 5/8	36	\$1,441	\$2,273

- Includes all required metal brackets and adjustable glides.
 - Edges are DeskMakers standard 2MM PVC edgebanding for both TFL and HPL finishes.

Partition Trough Middle Section

36" High Center Panel

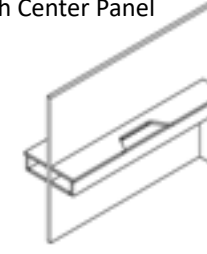


Model Number	Width	Trough Length	Center Panel Length	Height	TFL (T)	HPL (H)
For 42" 120 Degree Worksurfaces						
HV-P12M-3639-?	16 1/2	39 1/4	43 5/8	36	\$1,596	\$2,518
For 48" 120 Degree Worksurfaces						
HV-P12M-3645-?	16 1/2	45 1/4	49 5/8	36	\$1,633	\$2,577
For 54" 120 Degree Worksurfaces						
HV-P12M-3651-?	16 1/2	51 1/4	55 5/8	36	\$1,690	\$2,669

- Includes all required metal brackets and adjustable glides.
 - Edges are DeskMakers standard 2MM PVC edgebanding for both TFL and HPL finishes.

Partition Trough End Section

42" High Center Panel



Model Number	Width	Trough Length	Center Panel Length	Height	TFL (T)	HPL (H)
For 42" 120 Degree Worksurfaces						
HV-P12E-4239-?	16 1/2	39 1/4	43 5/8	42	\$1,405	\$2,218
For 48" 120 Degree Worksurfaces						
HV-P12E-4245-?	16 1/2	45 1/4	49 5/8	42	\$1,445	\$2,280
For 54" 120 Degree Worksurfaces						
HV-P12E-4251-?	16 1/2	51 1/4	55 5/8	42	\$1,504	\$2,375

- Includes all required metal brackets and adjustable glides.
 - Edges are DeskMakers standard 2MM PVC edgebanding for both TFL and HPL finishes.

Partition Trough Middle Section

42" High Center Panel

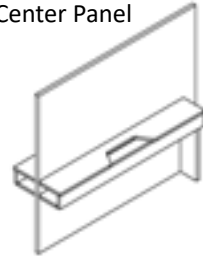


Model Number	Width	Trough Length	Center Panel Length	Height	TFL (T)	HPL (H)
For 42" 120 Degree Worksurfaces						
HV-P12M-4239-?	16 1/2	39 1/4	43 5/8	42	\$1,654	\$2,610
For 48" 120 Degree Worksurfaces						
HV-P12M-4245-?	16 1/2	45 1/4	49 5/8	42	\$1,693	\$2,676
For 54" 120 Degree Worksurfaces						
HV-P12M-4251-?	16 1/2	51 1/4	55 5/8	42	\$1,756	\$2,771

- Includes all required metal brackets and adjustable glides.
 - Edges are DeskMakers standard 2MM PVC edgebanding for both TFL and HPL finishes.

Partition Trough End Section

48" High Center Panel

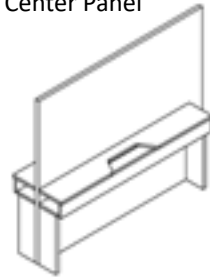


Model Number	Width	Trough Length	Center Panel Length	Height	TFL (T)	HPL (H)
For 42" 120 Degree Worksurfaces						
HV-P12E-4839-?	16 1/2	39 1/4	43 5/8	48	\$1,462	\$2,310
For 48" 120 Degree Worksurfaces						
HV-P12E-4845-?	16 1/2	45 1/4	49 5/8	48	\$1,506	\$2,378
For 54" 120 Degree Worksurfaces						
HV-P12E-4851-?	16 1/2	51 1/4	55 5/8	48	\$1,569	\$2,478

- Includes all required metal brackets and adjustable glides.
 - Edges are DeskMakers standard 2MM PVC edgebanding for both TFL and HPL finishes.

Partition Trough Middle Section

48" High Center Panel

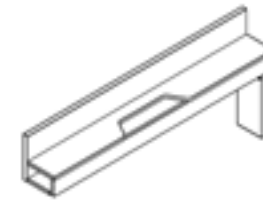


Model Number	Width	Trough Length	Center Panel Length	Height	TFL (T)	HPL (H)
For 42" 120 Degree Worksurfaces						
HV-P12M-4839-?	16 1/2	39 1/4	43 5/8	48	\$1,714	\$2,704
For 48" 120 Degree Worksurfaces						
HV-P12M-4845-?	16 1/2	45 1/4	49 5/8	48	\$1,756	\$2,773
For 54" 120 Degree Worksurfaces						
HV-P12M-4851-?	16 1/2	51 1/4	55 5/8	48	\$1,820	\$2,874

- Includes all required metal brackets and adjustable glides.
 - Edges are DeskMakers standard 2MM PVC edgebanding for both TFL and HPL finishes.

Raised Panel Trough End Section

11" High Panel (6" high above trough top)

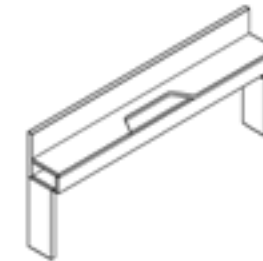


Model Number	Width	Length	Height	TFL (T)	HPL (H)
HV-RSSE-1150-?	8 7/8	50	29	\$814	\$1,286
HV-RSSE-1156-?	8 7/8	56	29	\$829	\$1,312
HV-RSSE-1162-?	8 7/8	62	29	\$867	\$1,369
HV-RSSE-1168-?	8 7/8	68	29	\$926	\$1,461
HV-RSSE-1174-?	8 7/8	74	29	\$961	\$1,518
HV-RSSE-1180-?	8 7/8	80	29	\$1,249	\$1,971
HV-RSSE-1186-?	8 7/8	86	29	\$1,285	\$2,029

- 80" and 86" Troughs include an additional leg support mounted in the middle of trough for additional structural support.
 - Includes all required metal brackets and adjustable glides.
 - Edges are DeskMakers standard 2MM PVC edgebanding for both TFL and HPL finishes.

Raised Panel Trough Middle Section

11" High Panel (6" high above trough top)

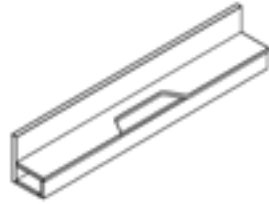


Model Number	Width	Length	Height	TFL (T)	HPL (H)
HV-RSSM-1150-?	8 7/8	50	29	\$938	\$1,482
HV-RSSM-1156-?	8 7/8	56	29	\$956	\$1,510
HV-RSSM-1162-?	8 7/8	62	29	\$991	\$1,566
HV-RSSM-1168-?	8 7/8	68	29	\$1,050	\$1,657
HV-RSSM-1174-?	8 7/8	74	29	\$1,087	\$1,714
HV-RSSM-1180-?	8 7/8	80	29	\$1,498	\$2,366
HV-RSSM-1186-?	8 7/8	86	29	\$1,534	\$2,424

- 80" and 86" Troughs include an additional leg support mounted in the middle of trough for additional structural support.
 - Includes all required metal brackets and adjustable glides.
 - Edges are DeskMakers standard 2MM PVC edgebanding for both TFL and HPL finishes.

Raised Panel Trough Spanning Section

11" High Panel (6" high above trough top)

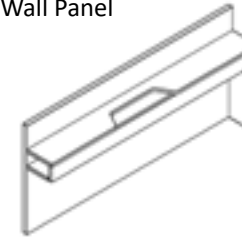


Model Number	Width	Length	Height	TFL (T)	HPL (H)
HV-RSSS-1150-?	8 7/8	50	29	\$690	\$1,087
HV-RSSS-1156-?	8 7/8	56	29	\$705	\$1,114
HV-RSSS-1162-?	8 7/8	62	29	\$743	\$1,172
HV-RSSS-1168-?	8 7/8	68	29	\$800	\$1,264
HV-RSSS-1174-?	8 7/8	74	29	\$837	\$1,319
HV-RSSS-1180-?	8 7/8	80	29	\$1,125	\$1,774
HV-RSSS-1186-?	8 7/8	86	29	\$1,161	\$1,830

- 80" and 86" Troughs include an additional leg support mounted in the middle of trough for additional structural support.
- Includes all required metal brackets and adjustable glides.
- Edges are DeskMakers standard 2MM PVC edgebanding for both TFL and HPL finishes.

Partition Trough End Section

29" High Wall Panel

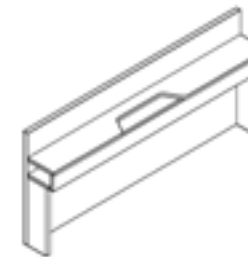


Model Number	Width	Length	Height	TFL (T)	HPL (H)
HV-PSSE-2950-?	8 7/8	50	29	\$964	\$1,520
HV-PSSE-2956-?	8 7/8	56	29	\$986	\$1,558
HV-PSSE-2962-?	8 7/8	62	29	\$1,032	\$1,629
HV-PSSE-2968-?	8 7/8	68	29	\$1,098	\$1,736
HV-PSSE-2974-?	8 7/8	74	29	\$1,143	\$1,806
HV-PSSE-2980-?	8 7/8	80	29	\$1,312	\$2,075
HV-PSSE-2986-?	8 7/8	86	29	\$1,359	\$2,146

- Includes all required metal brackets and adjustable glides.
- Edges are DeskMakers standard 2MM PVC edgebanding for both TFL and HPL finishes.

Partition Trough Middle Section

29" High Wall Panel

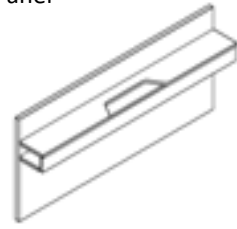


Model Number	Width	Length	Height	TFL (T)	HPL (H)
HV-PSSM-2950-?	8 7/8	50	29	\$1,087	\$1,717
HV-PSSM-2956-?	8 7/8	56	29	\$1,113	\$1,755
HV-PSSM-2962-?	8 7/8	62	29	\$1,155	\$1,827
HV-PSSM-2968-?	8 7/8	68	29	\$1,225	\$1,933
HV-PSSM-2974-?	8 7/8	74	29	\$1,269	\$2,001
HV-PSSM-2980-?	8 7/8	80	29	\$1,439	\$2,272
HV-PSSM-2986-?	8 7/8	86	29	\$1,485	\$2,343

- Includes all required metal brackets and adjustable glides.
- Edges are DeskMakers standard 2MM PVC edgebanding for both TFL and HPL finishes.

Partition Trough Spanning Section

29" High Wall Panel

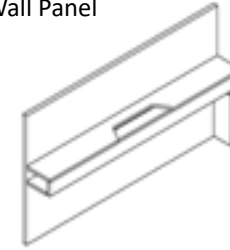


Model Number	Width	Length	Height	TFL (T)	HPL (H)
HV-PSSS-2950-?	8 7/8	50	29	\$838	\$1,321
HV-PSSS-2956-?	8 7/8	56	29	\$862	\$1,361
HV-PSSS-2962-?	8 7/8	62	29	\$908	\$1,432
HV-PSSS-2968-?	8 7/8	68	29	\$974	\$1,537
HV-PSSS-2974-?	8 7/8	74	29	\$1,019	\$1,607
HV-PSSS-2980-?	8 7/8	80	29	\$1,189	\$1,877
HV-PSSS-2986-?	8 7/8	86	29	\$1,232	\$1,946

- Includes all required metal brackets and adjustable glides.
 - Edges are DeskMakers standard 2MM PVC edgebanding for both TFL and HPL finishes.

Partition Trough End Section

36" High Wall Panel

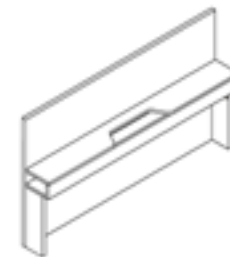


Model Number	Width	Length	Height	TFL (T)	HPL (H)
HV-PSSE-3650-?	8 7/8	50	36	\$1,028	\$1,623
HV-PSSE-3656-?	8 7/8	56	36	\$1,057	\$1,666
HV-PSSE-3662-?	8 7/8	62	36	\$1,104	\$1,744
HV-PSSE-3668-?	8 7/8	68	36	\$1,175	\$1,855
HV-PSSE-3674-?	8 7/8	74	36	\$1,223	\$1,930
HV-PSSE-3680-?	8 7/8	80	36	\$1,397	\$2,205
HV-PSSE-3686-?	8 7/8	86	36	\$1,444	\$2,278

- Includes all required metal brackets and adjustable glides.
 - Edges are DeskMakers standard 2MM PVC edgebanding for both TFL and HPL finishes.

Partition Trough Middle Section

36" High Wall Panel

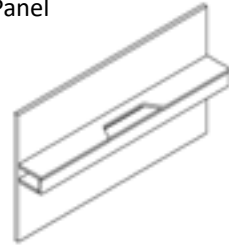


Model Number	Width	Length	Height	TFL (T)	HPL (H)
HV-PSSM-3650-?	8 7/8	50	36	\$1,152	\$1,820
HV-PSSM-3656-?	8 7/8	56	36	\$1,181	\$1,865
HV-PSSM-3662-?	8 7/8	62	36	\$1,229	\$1,941
HV-PSSM-3668-?	8 7/8	68	36	\$1,299	\$2,052
HV-PSSM-3674-?	8 7/8	74	36	\$1,347	\$2,125
HV-PSSM-3680-?	8 7/8	80	36	\$1,521	\$2,401
HV-PSSM-3686-?	8 7/8	86	36	\$1,569	\$2,478

- Includes all required metal brackets and adjustable glides.
 - Edges are DeskMakers standard 2MM PVC edgebanding for both TFL and HPL finishes.

Partition Trough Spanning Section

36" High Wall Panel

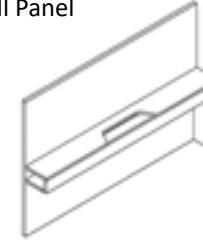


Model Number	Width	Length	Height	TFL (T)	HPL (H)
HV-PSSS-3650-?	8 7/8	50	36	\$903	\$1,424
HV-PSSS-3656-?	8 7/8	56	36	\$932	\$1,471
HV-PSSS-3662-?	8 7/8	62	36	\$980	\$1,545
HV-PSSS-3668-?	8 7/8	68	36	\$1,050	\$1,657
HV-PSSS-3674-?	8 7/8	74	36	\$1,098	\$1,734
HV-PSSS-3680-?	8 7/8	80	36	\$1,270	\$2,006
HV-PSSS-3686-?	8 7/8	86	36	\$1,318	\$2,083

- Includes all required metal brackets and adjustable glides.
- Edges are DeskMakers standard 2MM PVC edgebanding for both TFL and HPL finishes.

Partition Trough End Section

42" High Wall Panel

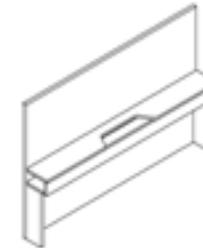


Model Number	Width	Length	Height	TFL (T)	HPL (H)
HV-PSSE-4250-?	8 7/8	50	42	\$1,090	\$1,720
HV-PSSE-4256-?	8 7/8	56	42	\$1,122	\$1,769
HV-PSSE-4262-?	8 7/8	62	42	\$1,172	\$1,850
HV-PSSE-4268-?	8 7/8	68	42	\$1,244	\$1,967
HV-PSSE-4274-?	8 7/8	74	42	\$1,296	\$2,044
HV-PSSE-4280-?	8 7/8	80	42	\$1,471	\$2,324
HV-PSSE-4286-?	8 7/8	86	42	\$1,522	\$2,404

- Includes all required metal brackets and adjustable glides.
- Edges are DeskMakers standard 2MM PVC edgebanding for both TFL and HPL finishes.

Partition Trough Middle Section

42" High Wall Panel

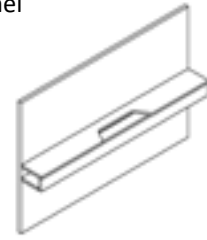


Model Number	Width	Length	Height	TFL (T)	HPL (H)
HV-PSSM-4250-?	8 7/8	50	42	\$1,216	\$1,917
HV-PSSM-4256-?	8 7/8	56	42	\$1,246	\$1,968
HV-PSSM-4262-?	8 7/8	62	42	\$1,297	\$2,048
HV-PSSM-4268-?	8 7/8	68	42	\$1,370	\$2,162
HV-PSSM-4274-?	8 7/8	74	42	\$1,420	\$2,243
HV-PSSM-4280-?	8 7/8	80	42	\$1,598	\$2,521
HV-PSSM-4286-?	8 7/8	86	42	\$1,648	\$2,601

- Includes all required metal brackets and adjustable glides.
- Edges are DeskMakers standard 2MM PVC edgebanding for both TFL and HPL finishes.

Partition Trough Spanning Section

42" High Wall Panel

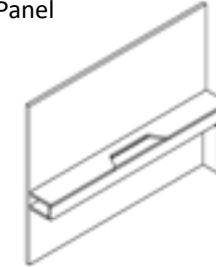


Model Number	Width	Length	Height	TFL (T)	HPL (H)
HV-PSSS-4250-?	8 7/8	50	42	\$965	\$1,523
HV-PSSS-4256-?	8 7/8	56	42	\$995	\$1,572
HV-PSSS-4262-?	8 7/8	62	42	\$1,047	\$1,652
HV-PSSS-4268-?	8 7/8	68	42	\$1,121	\$1,768
HV-PSSS-4274-?	8 7/8	74	42	\$1,172	\$1,849
HV-PSSS-4280-?	8 7/8	80	42	\$1,346	\$2,124
HV-PSSS-4286-?	8 7/8	86	42	\$1,398	\$2,207

- Includes all required metal brackets and adjustable glides.
 - Edges are DeskMakers standard 2MM PVC edgebanding for both TFL and HPL finishes.

Partition Trough End Section

48" High Wall Panel

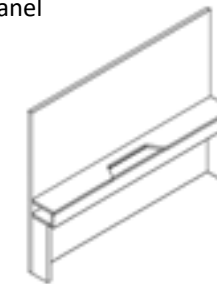


Model Number	Width	Length	Height	TFL (T)	HPL (H)
HV-PSSE-4850-?	8 7/8	50	48	\$1,151	\$1,817
HV-PSSE-4856-?	8 7/8	56	48	\$1,186	\$1,871
HV-PSSE-4862-?	8 7/8	62	48	\$1,240	\$1,955
HV-PSSE-4868-?	8 7/8	68	48	\$1,314	\$2,076
HV-PSSE-4874-?	8 7/8	74	48	\$1,368	\$2,160
HV-PSSE-4880-?	8 7/8	80	48	\$1,546	\$2,442
HV-PSSE-4886-?	8 7/8	86	48	\$1,602	\$2,529

- Includes all required metal brackets and adjustable glides.
 - Edges are DeskMakers standard 2MM PVC edgebanding for both TFL and HPL finishes.

Partition Trough Middle Section

48" High Wall Panel

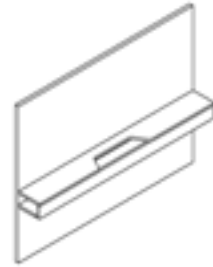


Model Number	Width	Length	Height	TFL (T)	HPL (H)
HV-PSSM-4850-?	8 7/8	50	48	\$1,278	\$2,014
HV-PSSM-4856-?	8 7/8	56	48	\$1,309	\$2,068
HV-PSSM-4862-?	8 7/8	62	48	\$1,364	\$2,153
HV-PSSM-4868-?	8 7/8	68	48	\$1,441	\$2,273
HV-PSSM-4874-?	8 7/8	74	48	\$1,494	\$2,358
HV-PSSM-4880-?	8 7/8	80	48	\$1,673	\$2,642
HV-PSSM-4886-?	8 7/8	86	48	\$1,726	\$2,726

- Includes all required metal brackets and adjustable glides.
 - Edges are DeskMakers standard 2MM PVC edgebanding for both TFL and HPL finishes.

Partition Trough Spanning Section

48" High Wall Panel



Model Number	Width	Length	Height	TFL (T)	HPL (H)
HV-PSSS-4850-?	8 7/8	50	48	\$1,025	\$1,620
HV-PSSS-4856-?	8 7/8	56	48	\$1,060	\$1,672
HV-PSSS-4862-?	8 7/8	62	48	\$1,115	\$1,760
HV-PSSS-4868-?	8 7/8	68	48	\$1,189	\$1,877
HV-PSSS-4874-?	8 7/8	74	48	\$1,244	\$1,965
HV-PSSS-4880-?	8 7/8	80	48	\$1,421	\$2,246
HV-PSSS-4886-?	8 7/8	86	48	\$1,476	\$2,329

- Includes all required metal brackets and adjustable glides.
- Edges are DeskMakers standard 2MM PVC edgebanding for both TFL and HPL finishes.

Double Sided End Panel - 23" High

For use with Platform and Partition Troughs - Cannot be used on Raised Panel Troughs

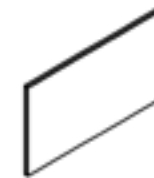


Model Number	Width	Height	TFL (T)	HPL (H)
HV-EPL1-2316-?	16.5	23	\$202	\$321

- End Panel is 1-1/8" thick material.
- Includes two adjustable glides.
- Edges are DeskMakers standard 2MM PVC edgebanding for both TFL and HPL finishes.
- Grain runs horizontal.

Double Sided End Panel - 29" High

For use with Raised Panel or Partition Troughs - Cannot be used on Platform Troughs



Model Number	Width	Height	TFL (T)	HPL (H)
HV-EPL1-2952-?	52	29	\$509	\$804
HV-EPL1-2964-?	64	29	\$583	\$919
HV-EPL1-2976-?	76	29	\$680	\$1,073

- End Panel is 1-1/8" thick material.
- Includes two adjustable glides.
- Edges are DeskMakers standard 2MM PVC edgebanding for both TFL and HPL finishes.
- Grain runs horizontal.

Double Sided End Panel - 36" High

For use with Partition Troughs: 36", 42" or 48" high



Model Number	Width	Height	TFL (T)	HPL (H)
HV-EPL1-3652-?	52	36	\$606	\$959
HV-EPL1-3664-?	64	36	\$689	\$1,086
HV-EPL1-3676-?	76	36	\$769	\$1,213

- End Panel is 1-1/8" thick material.
- Includes two adjustable glides.
- Edges are DeskMakers standard 2MM PVC edgebanding for both TFL and HPL finishes.
- Grain runs horizontal.

Double Sided End Panel - 42" High

For use with Partition Troughs: 42" & 48" high

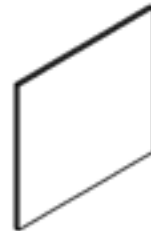


Model Number	Width	Height	TFL (T)	HPL (H)
HV-EPL1-4252-?	52	42	\$680	\$1,073
HV-EPL1-4264-?	64	42	\$760	\$1,200
HV-EPL1-4276-?	76	42	\$841	\$1,327

- End Panel is 1-1/8" thick material.
- Includes two adjustable glides.
- Edges are DeskMakers standard 2MM PVC edgebanding for both TFL and HPL finishes.
- Grain runs horizontal.

Double Sided End Panel - 48" High

For use with Partition Troughs: 48" high



Model Number	Width	Height	TFL (T)	HPL (H)
HV-EPL1-4852-?	52	48	\$752	\$1,189
HV-EPL1-4864-?	64	48	\$832	\$1,316
HV-EPL1-4876-?	76	48	\$914	\$1,443

- End Panel is 1-1/8" thick material.
- Includes two adjustable glides.
- Edges are DeskMakers standard 2MM PVC edgebanding for both TFL and HPL finishes.
- Grain runs horizontal.

Double Sided Connecting End Panel - 29" High

Used when connecting to Extension Panels

For use with Raised Panel or Partition Troughs



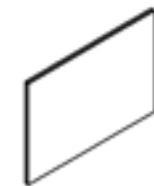
Model Number	Width	Height	TFL (T)	HPL (H)
HV-EPL3-2952-?	52	29	\$509	\$804
HV-EPL3-2964-?	64	29	\$583	\$919
HV-EPL3-2976-?	76	29	\$680	\$1,073

- End Panel is 1-1/8" thick material.
- Includes two adjustable glides.
- Edges are DeskMakers standard 2MM PVC edgebanding for both TFL and HPL finishes.
- Grain runs horizontal.

Double Sided Connecting End Panel - 36" High

Used when connecting to an Extension Panel

For use with Partition Troughs: 36", 42" or 48" high

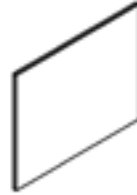


Model Number	Width	Height	TFL (T)	HPL (H)
HV-EPL3-3652-?	52	36	\$606	\$959
HV-EPL3-3664-?	64	36	\$689	\$1,086
HV-EPL3-3676-?	76	36	\$769	\$1,213

- End Panel is 1-1/8" thick material.
- Includes two adjustable glides.
- Edges are DeskMakers standard 2MM PVC edgebanding for both TFL and HPL finishes.
- Grain runs horizontal.

Double Sided Connecting End Panel - 42" High

Used when connecting to an Extension Panel
For use with Partition Troughs: 42" & 48" high

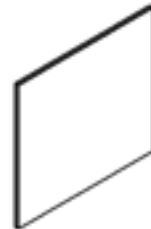


Model Number	Width	Height	TFL (T)	HPL (H)
HV-EPL3-4252-?	52	42	\$680	\$1,073
HV-EPL3-4264-?	64	42	\$760	\$1,200
HV-EPL3-4276-?	76	42	\$841	\$1,327

- End Panel is 1-1/8" thick material.
- Includes two adjustable glides.
- Edges are DeskMakers standard 2MM PVC edgebanding for both TFL and HPL finishes.
- Grain runs horizontal.

Double Sided Connecting End Panel - 48" High

Used when connecting to an Extension Panel
For use with Partition Troughs: 48" high

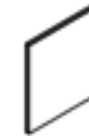


Model Number	Width	Height	TFL (T)	HPL (H)
HV-EPL3-4852-?	52	48	\$752	\$1,189
HV-EPL3-4864-?	64	48	\$832	\$1,316
HV-EPL3-4876-?	76	48	\$914	\$1,443

- End Panel is 1-1/8" thick material.
- Includes two adjustable glides.
- Edges are DeskMakers standard 2MM PVC edgebanding for both TFL and HPL finishes.
- Grain runs horizontal.

Single Sided End Panel - 29" High

For use with Single Sided Raised Panel or Partition Troughs

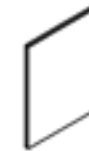


Model Number	Width	Height	TFL (T)	HPL (H)	
Left Model	Right Model				
HV-EPL2-2927-L-?	HV-EPL2-2927-R-?	26 1/2	29	\$358	\$566
HV-EPL2-2934-L-?	HV-EPL2-2934-R-?	33 1/2	29	\$408	\$644
HV-EPL2-2939-L-?	HV-EPL2-2939-R-?	38 1/2	29	\$476	\$750

- End Panel is 1-1/8" thick material.
- Includes two adjustable glides.
- Edges are DeskMakers standard 2MM PVC edgebanding for both TFL and HPL finishes.
- Grain runs horizontal.

Single Sided End Panel - 36" High

For use with Single Sided Partition Troughs: 36", 42" or 48" high



Model Number	Width	Height	TFL (T)	HPL (H)	
Left Model	Right Model				
HV-EPL2-3627-L-?	HV-EPL2-3627-R-?	26 1/2	36	\$426	\$672
HV-EPL2-3634-L-?	HV-EPL2-3634-R-?	33 1/2	36	\$482	\$760
HV-EPL2-3639-L-?	HV-EPL2-3639-R-?	38 1/2	36	\$539	\$852

- End Panel is 1-1/8" thick material.
- Includes two adjustable glides.
- Edges are DeskMakers standard 2MM PVC edgebanding for both TFL and HPL finishes.
- Grain runs horizontal.

Single Sided End Panel -42" High

For use with Single Sided Partition Troughs: 42" & 48" high



Model Number	Width	Height	TFL (T)	HPL (H)	
Left Model	Right Model				
HV-EPL2-4227-L-?	HV-EPL2-4227-R-?	26 1/2	42	\$476	\$750
HV-EPL2-4234-L-?	HV-EPL2-4234-R-?	33 1/2	42	\$533	\$841
HV-EPL2-4239-L-?	HV-EPL2-4239-R-?	38 1/2	42	\$589	\$928

- End Panel is 1-1/8" thick material.
- Includes two adjustable glides.
- Edges are DeskMakers standard 2MM PVC edgebanding for both TFL and HPL finishes.
- Grain runs horizontal.

Single Sided End Panel -48" High

For use with Single Sided Partition Troughs: 48" high



Model Number	Width	Height	TFL (T)	HPL (H)	
Left Model	Right Model				
HV-EPL2-4827-L-?	HV-EPL2-4827-R-?	26 1/2	48	\$527	\$833
HV-EPL2-4834-L-?	HV-EPL2-4834-R-?	33 1/2	48	\$584	\$922
HV-EPL2-4839-L-?	HV-EPL2-4839-R-?	38 1/2	48	\$640	\$1,011

- End Panel is 1-1/8" thick material.
- Includes two adjustable glides.
- Edges are DeskMakers standard 2MM PVC edgebanding for both TFL and HPL finishes.
- Grain runs horizontal.

Single Sided Connecting End Panel - 29" High

Used when connecting to an Extension Panel
For use with Single Sided Raised Panel or Partition Troughs

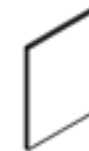


Model Number	Width	Height	TFL (T)	HPL (H)	
Left Model	Right Model				
HV-EPL4-2927-L-?	HV-EPL4-2927-R-?	26 1/2	29	\$358	\$566
HV-EPL4-2934-L-?	HV-EPL4-2934-R-?	33 1/2	29	\$408	\$644
HV-EPL4-2939-L-?	HV-EPL4-2939-R-?	38 1/2	29	\$476	\$750

- End Panel is 1-1/8" thick material.
- Includes two adjustable glides.
- Edges are DeskMakers standard 2MM PVC edgebanding for both TFL and HPL finishes.
- Grain runs horizontal.

Single Sided Connecting End Panel - 36" High

Used when connecting to an Extension Panel
For use with Single Sided Partition Troughs: 36", 42" or 48" high



Model Number	Width	Height	TFL (T)	HPL (H)	
Left Model	Right Model				
HV-EPL4-3627-L-?	HV-EPL4-3627-R-?	26 1/2	36	\$426	\$672
HV-EPL4-3634-L-?	HV-EPL4-3634-R-?	33 1/2	36	\$482	\$760
HV-EPL4-3639-L-?	HV-EPL4-3639-R-?	38 1/2	36	\$539	\$852

- End Panel is 1-1/8" thick material.
- Includes two adjustable glides.
- Edges are DeskMakers standard 2MM PVC edgebanding for both TFL and HPL finishes.
- Grain runs horizontal.

Single Sided Connecting End Panel -42" High

Used when connecting to an Extension Panel
For use with Single Sided Partition Troughs: 42" & 48" high



Model Number	Width	Height	TFL (T)	HPL (H)	
Left Model	Right Model				
HV-EPL4-4227-L-?	HV-EPL4-4227-R-?	26 1/2	42	\$476	\$750
HV-EPL4-4234-L-?	HV-EPL4-4234-R-?	33 1/2	42	\$533	\$841
HV-EPL4-4239-L-?	HV-EPL4-4239-R-?	38 1/2	42	\$589	\$928

- End Panel is 1-1/8" thick material.
- Includes two adjustable glides.
- Edges are DeskMakers standard 2MM PVC edgebanding for both TFL and HPL finishes.
- Grain runs horizontal.

Single Sided Connecting End Panel -48" High

Used when connecting to an Extension Panel
For use with Single Sided Partition Troughs: 48" high



Model Number	Width	Height	TFL (T)	HPL (H)	
Left Model	Right Model				
HV-EPL4-4827-L-?	HV-EPL4-4827-R-?	26 1/2	48	\$527	\$833
HV-EPL4-4834-L-?	HV-EPL4-4834-R-?	33 1/2	48	\$584	\$922
HV-EPL4-4839-L-?	HV-EPL4-4839-R-?	38 1/2	48	\$640	\$1,011

- End Panel is 1-1/8" thick material.
- Includes two adjustable glides.
- Edges are DeskMakers standard 2MM PVC edgebanding for both TFL and HPL finishes.
- Grain runs horizontal.

Double Sided Divider Panels



Model Number	Width	Height	TFL (T)	HPL (H)
29" High				
HV-DPL1-2952-?	52	29	\$631	\$997
HV-DPL1-2964-?	64	29	\$704	\$1,113
HV-DPL1-2976-?	76	29	\$800	\$1,265
36" High				
HV-DPL1-3652-?	52	36	\$729	\$1,149
HV-DPL1-3664-?	64	36	\$809	\$1,278
HV-DPL1-3676-?	76	36	\$891	\$1,405
42" High				
HV-DPL1-4252-?	52	42	\$800	\$1,265
HV-DPL1-4264-?	64	42	\$880	\$1,394
HV-DPL1-4276-?	76	42	\$964	\$1,521
48" High				
HV-DPL1-4852-?	52	48	\$873	\$1,378
HV-DPL1-4864-?	64	48	\$954	\$1,507
HV-DPL1-4876-?	76	48	\$1,035	\$1,636

- Divider Panel is 1-1/8" thick material.
- Includes grommet cutouts and adjustable glides.
- Edges are DeskMakers standard 2MM PVC edgebanding for both TFL and HPL finishes.
- Grain runs horizontal.

Single Sided Divider Panels



Model Number	Width	Height	TFL (T)	HPL (H)
29" High				
HV-DPL2-2927-?	26 1/2	29	\$479	\$566
HV-DPL2-2934-?	33 1/2	29	\$529	\$644
HV-DPL2-2939-?	38 1/2	29	\$597	\$750
36" High				
HV-DPL2-3627-?	26 1/2	36	\$547	\$672
HV-DPL2-3634-?	33 1/2	36	\$603	\$760
HV-DPL2-3639-?	38 1/2	36	\$660	\$852
42" High				
HV-DPL2-4227-?	26 1/2	42	\$597	\$750
HV-DPL2-4234-?	33 1/2	42	\$654	\$841
HV-DPL2-4239-?	38 1/2	42	\$710	\$928
48" High				
HV-DPL2-4827-?	26 1/2	48	\$649	\$833
HV-DPL2-4834-?	33 1/2	48	\$705	\$922
HV-DPL2-4839-?	38 1/2	48	\$761	\$1,011

- Divider Panel is 1-1/8" thick material.
- Includes grommet cutout and adjustable glides.
- Edges are DeskMakers standard 2MM PVC edgebanding for both TFL and HPL finishes.
- Grain runs horizontal.

Double Sided Connecting Divider Panels
Used when connecting to Extension Panels



Model Number	Width	Height	TFL (T)	HPL (H)
29" High				
HV-DPL3-2952-?	52	29	\$631	\$997
HV-DPL3-2964-?	64	29	\$704	\$1,113
HV-DPL3-2976-?	76	29	\$800	\$1,265
36" High				
HV-DPL3-3652-?	52	36	\$729	\$1,149
HV-DPL3-3664-?	64	36	\$809	\$1,278
HV-DPL3-3676-?	76	36	\$891	\$1,405
42" High				
HV-DPL3-4252-?	52	42	\$800	\$1,265
HV-DPL3-4264-?	64	42	\$880	\$1,394
HV-DPL3-4276-?	76	42	\$964	\$1,521
48" High				
HV-DPL3-4852-?	52	48	\$873	\$1,378
HV-DPL3-4864-?	64	48	\$954	\$1,507
HV-DPL3-4876-?	76	48	\$1,035	\$1,636

- Divider Panel is 1-1/8" thick material.
- Includes grommet cutouts and adjustable glides.
- Edges are DeskMakers standard 2MM PVC edgebanding for both TFL and HPL finishes.
- Grain runs horizontal.

Single Sided Connecting Divider Panels

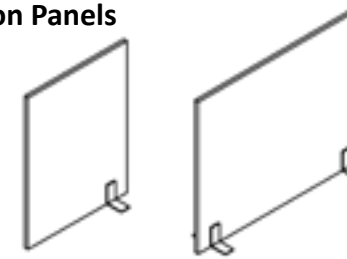
Used when connecting to an Extension Panel



Model Number	Width	Height	TFL (T)	HPL (H)
29" High				
HV-DPL4-2927-?	26 1/2	29	\$479	\$566
HV-DPL4-2934-?	33 1/2	29	\$529	\$644
HV-DPL4-2939-?	38 1/2	29	\$597	\$750
36" High				
HV-DPL4-3627-?	26 1/2	36	\$547	\$672
HV-DPL4-3634-?	33 1/2	36	\$603	\$760
HV-DPL4-3639-?	38 1/2	36	\$660	\$852
42" High				
HV-DPL4-4227-?	26 1/2	42	\$597	\$750
HV-DPL4-4234-?	33 1/2	42	\$654	\$841
HV-DPL4-4239-?	38 1/2	42	\$710	\$928
48" High				
HV-DPL4-4827-?	26 1/2	48	\$649	\$833
HV-DPL4-4834-?	33 1/2	48	\$705	\$922
HV-DPL4-4839-?	38 1/2	48	\$761	\$1,011

- Divider Panel is 1-1/8" thick material.
- Includes grommet cutout and adjustable glides.
- Edges are DeskMakers standard 2MM PVC edgebanding for both TFL and HPL finishes.
- Grain runs horizontal.

Extension Panels



Model Number	Width	Height	TFL (T)	HPL (H)
29" High				
Left Model	Right Model			
HV-EXP1-2924-L-?	HV-EXP1-2924-R-?	24	29	\$542
HV-EXP1-2930-L-?	HV-EXP1-2930-R-?	30	29	\$557
HV-EXP1-2936-L-?	HV-EXP1-2936-R-?	36	29	\$574
HV-EXP1-2942-L-?	HV-EXP1-2942-R-?	42	29	\$770
HV-EXP1-2948-L-?	HV-EXP1-2948-R-?	48	29	\$785
HV-EXP1-2954-L-?	HV-EXP1-2954-R-?	54	29	\$800
HV-EXP1-2960-L-?	HV-EXP1-2960-R-?	60	29	\$817
36" High				
Left Model	Right Model			
HV-EXP1-3624-L-?	HV-EXP1-3624-R-?	24	36	\$557
HV-EXP1-3630-L-?	HV-EXP1-3630-R-?	30	36	\$577
HV-EXP1-3636-L-?	HV-EXP1-3636-R-?	36	36	\$595
HV-EXP1-3642-L-?	HV-EXP1-3642-R-?	42	36	\$796
HV-EXP1-3648-L-?	HV-EXP1-3648-R-?	48	36	\$814
HV-EXP1-3654-L-?	HV-EXP1-3654-R-?	54	36	\$832
HV-EXP1-3660-L-?	HV-EXP1-3660-R-?	60	36	\$852
42" High				
Left Model	Right Model			
HV-EXP1-4224-L-?	HV-EXP1-4224-R-?	24	42	\$572
HV-EXP1-4230-L-?	HV-EXP1-4230-R-?	30	42	\$592
HV-EXP1-4236-L-?	HV-EXP1-4236-R-?	36	42	\$613
HV-EXP1-4242-L-?	HV-EXP1-4242-R-?	42	42	\$817
HV-EXP1-4248-L-?	HV-EXP1-4248-R-?	48	42	\$838
HV-EXP1-4254-L-?	HV-EXP1-4254-R-?	54	42	\$859
HV-EXP1-4260-L-?	HV-EXP1-4260-R-?	60	42	\$880
48" High				
Left Model	Right Model			
HV-EXP1-4824-L-?	HV-EXP1-4824-R-?	24	48	\$584
HV-EXP1-4830-L-?	HV-EXP1-4830-R-?	30	48	\$607
HV-EXP1-4836-L-?	HV-EXP1-4836-R-?	36	48	\$633
HV-EXP1-4842-L-?	HV-EXP1-4842-R-?	42	48	\$838
HV-EXP1-4848-L-?	HV-EXP1-4848-R-?	48	48	\$862
HV-EXP1-4854-L-?	HV-EXP1-4854-R-?	54	48	\$887
HV-EXP1-4860-L-?	HV-EXP1-4860-R-?	60	48	\$911

- Extension panel is 1-1/8" thick material.
- Includes metal T-Foot and adjustable glides.
- Edges are DeskMakers standard 2MM PVC edgebanding for both TFL and HPL finishes.
- Panels must attach to an end panel or divider panel. Cannot be used as a stand-alone wall.
- Grain runs horizontal.

Center Extension Panels

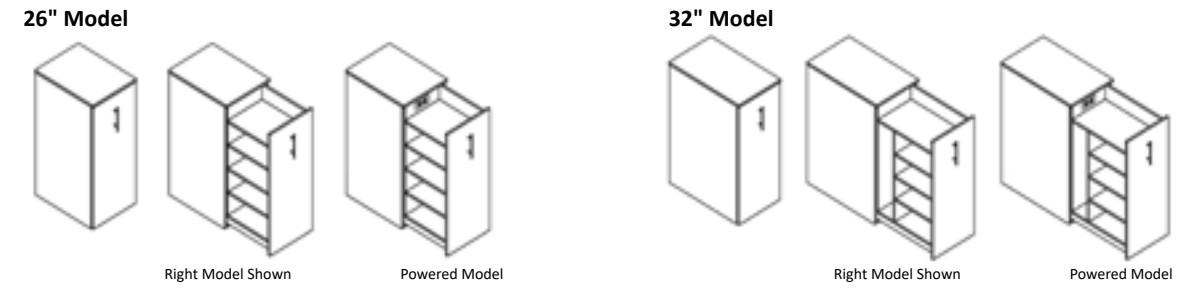


Model Number	Width	Height	TFL (T)	HPL (H)
11" High				
HV-EXP2-1118-?	18 1/4	11	\$160	\$251
HV-EXP2-1124-?	24 1/4	11	\$174	\$275
HV-EXP2-1130-?	30 1/4	11	\$183	\$288
HV-EXP2-1136-?	36 1/2	11	\$189	\$297
HV-EXP2-1142-?	42 1/2	11	\$208	\$331
HV-EXP2-1148-?	48 1/2	11	\$217	\$342
29" High				
HV-EXP2-2918-?	18 1/4	29	\$319	\$504
HV-EXP2-2924-?	24 1/4	29	\$347	\$548
HV-EXP2-2930-?	30 1/4	29	\$362	\$574
HV-EXP2-2936-?	36 1/2	29	\$379	\$596
HV-EXP2-2942-?	42 1/2	29	\$418	\$660
HV-EXP2-2948-?	48 1/2	29	\$433	\$684
36" High				
HV-EXP2-3618-?	18 1/4	36	\$350	\$553
HV-EXP2-3624-?	24 1/4	36	\$362	\$574
HV-EXP2-3630-?	30 1/4	36	\$382	\$603
HV-EXP2-3636-?	36 1/2	36	\$400	\$633
HV-EXP2-3642-?	42 1/2	36	\$444	\$701
HV-EXP2-3648-?	48 1/2	36	\$462	\$730
42" High				
HV-EXP2-4218-?	18 1/4	42	\$367	\$580
HV-EXP2-4224-?	24 1/4	42	\$378	\$593
HV-EXP2-4230-?	30 1/4	42	\$397	\$626
HV-EXP2-4236-?	36 1/2	42	\$418	\$661
HV-EXP2-4242-?	42 1/2	42	\$465	\$734
HV-EXP2-4248-?	48 1/2	42	\$486	\$768
48" High				
HV-EXP2-4818-?	18 1/4	48	\$381	\$601
HV-EXP2-4824-?	24 1/4	48	\$390	\$615
HV-EXP2-4830-?	30 1/4	48	\$414	\$653
HV-EXP2-4836-?	36 1/2	48	\$438	\$692
HV-EXP2-4842-?	42 1/2	48	\$486	\$768
HV-EXP2-4848-?	48 1/2	48	\$510	\$804

- Center extension panel is 1-1/8" thick material.
- Includes mechanical biscuit fasteners on both ends.
- Edges are DeskMakers standard 2MM PVC edgebanding for both TFL and HPL finishes.
- Panels must attach to a trough center panel and storage unit. Cannot be used as a stand-alone wall.
- Grain runs horizontal.

Personal Storage Tower - Shelf Storage Model

Single Pull-Out Door

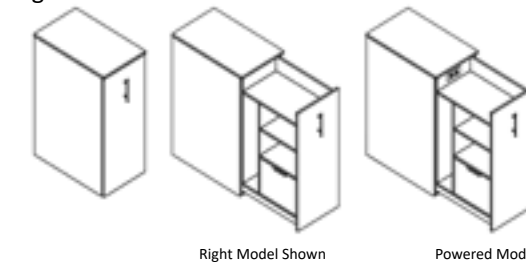


Model Number	Width	Depth	Height	Price	
Left Model	Right Model				
HV-PST1-1826-L	HV-PST1-1826-R	18	26	42	\$3,384
HV-PST1-1826-LPWR	HV-PST1-1826-RPWR	18	26	42	\$3,995
HV-PST1-1832-L	HV-PST1-1832-R	18	32	42	\$3,603
HV-PST1-1832-LPWR	HV-PST1-1832-RPWR	18	32	42	\$4,212

- 24" Deep model includes fixed shelf and two adjustable shelves.
- 30" Deep model includes wardrobe with coat hook, fixed shelf and two adjustable shelves.
- Powered model includes power unit with two outlets and two USB charging ports. Power unit has 108" long cord with plug. Power unit is field installed into factory cut hole. Grommet not included.
- Includes adjustable glides.
- Lock NOT standard. For lock on doors per bay, add OP-LOCK-ADD for \$140.
- Must specify grommet for electrical pass-thru. For grommet located on left side, use HV-GROM-LEFT for \$60; for grommet located on right side, use HV-GROM-RGHT for \$60; for grommet on both sides, use HV-GROM-BOTH for \$120.

Personal Storage Tower - File Storage Model

Single Pull-Out Door



Model Number	Width	Depth	Height	Price	
Left Model	Right Model				
HV-PST2-1832-L	HV-PST2-1832-R	18	32	42	\$4,294
HV-PST2-1832-LPWR	HV-PST2-1832-RPWR	18	32	42	\$4,904

- Includes wardrobe with coat hook, fixed shelf, adjustable shelf and one file drawer.
- Powered model includes power unit with two outlets and two USB charging ports. Power unit has 108" long cord with plug. Power unit is field installed into factory cut hole. Grommet not included.
- Includes adjustable glides.
- Lock NOT standard. For lock on doors per bay, add OP-LOCK-ADD for \$140.
- Must specify grommet for electrical pass-thru. For grommet located on left side, use HV-GROM-LEFT for \$60; for grommet located on right side, use HV-GROM-RGHT for \$60; for grommet on both sides, use HV-GROM-BOTH for \$120.

U-Shaped Wire Management Channel



Model Number	Width	Depth	Height	Price
HV-UCHN-18	5	7	18	\$233

- 3/4" thermofuse laminate material only.
- Ships with mounting hardware for securing to table base.
- Cannot be used to support troughs.

Wire Management Support Base

Used with Platform and Raised Panel Troughs



Model Number	Width	Depth	Height	Price
HV-WML1-18	9	12	18	\$769

- 3/4" thermofuse laminate material only.
- Includes one hinged access door.
- Includes adjustable glides.
- Edges are DeskMakers standard 2MM PVC edgebanding.

Wire Management Support Base

Used with Partition and Single Sided Troughs



Model Number	Width	Depth	Height	Price
HV-WML2-18	9	5 1/2	18	\$444

- 3/4" thermofuse laminate material only.
- Includes one hinged access door.
- Includes adjustable glides.
- Edges are DeskMakers standard 2MM PVC edgebanding.

End Panel Infeed Grommet Option



Model Number	Price
HV-GROM-ENDP	\$60

- 2-1/2" diameter grommet is plastic.
- Grommet is centered on the depth of the end panel and is located 6" on center above the bottom edge.

Metal Wall Panel T-Foot



Model Number	Price
HV-PNLS-TF	\$184

- Powder coat silver finish.

Please visit [Deskmakers.com](https://www.Deskmakers.com) to view our current **Terms and Conditions**.

Please visit DeskMakers.com to view our current **Warranty**.

Locations

Los Angeles

DeskMakers Headquarters
6525 Flotilla Street
Commerce, CA 90040

Dallas Factory

1110 Inwood Road
Suite 101
Dallas, TX 75247

DeskMakers

Phone: 323.264.2260 | Fax: 323.725.6960
www.deskmakers.com