



narrative

PRICE & SPECIFICATION GUIDE

Version: 03.15.24
prices effective April 1, 2024

The logo for DeskMakers, featuring the word "Desk" in a standard sans-serif font and "Makers" in a bold, sans-serif font, with a horizontal orange line above the "Makers" portion.

revisions

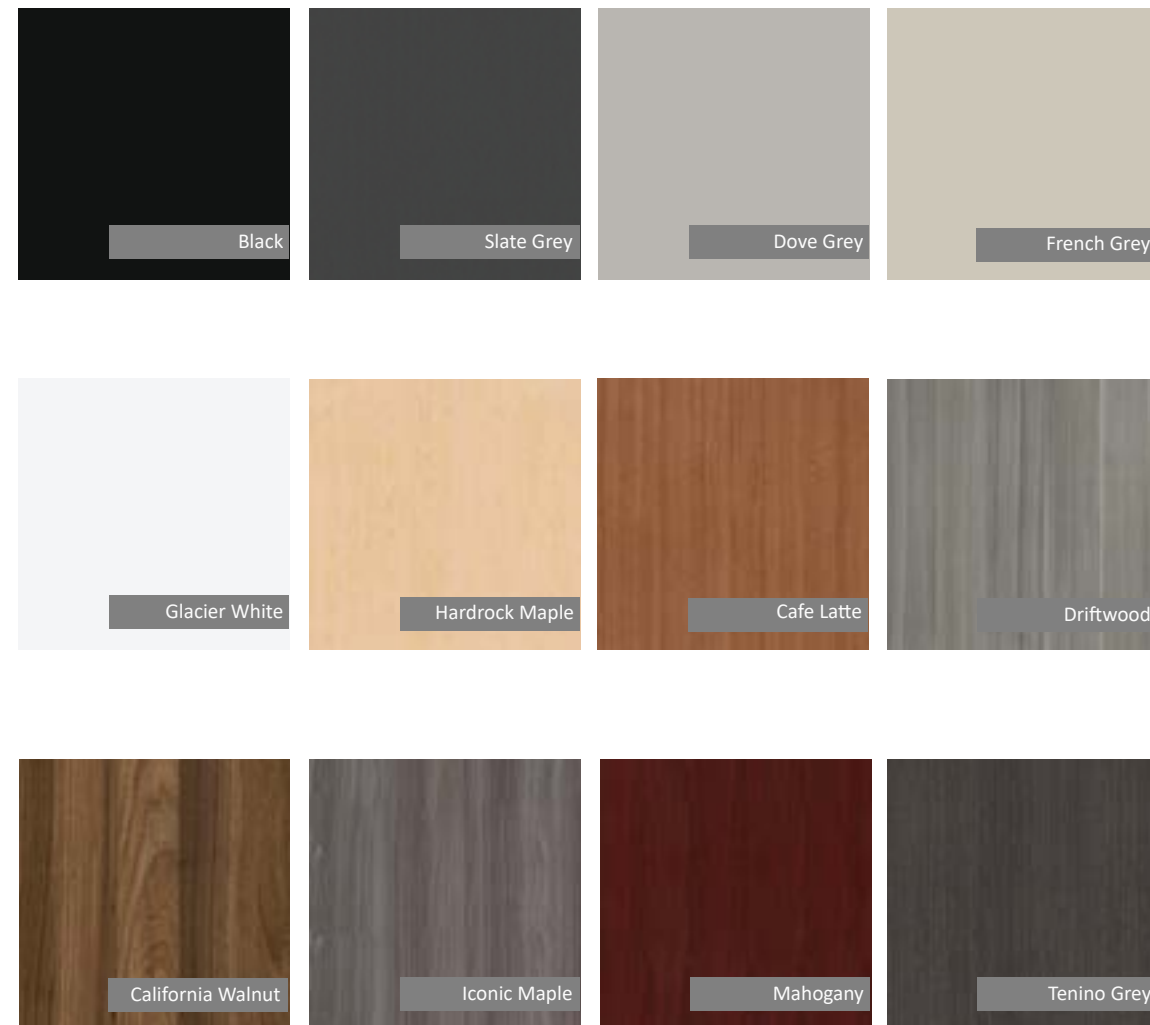
10/24/19	Updated layout and finishes
01/01/21	Updated pricing and finishes
09/01/21	Updated finishes
12/20/21	Updated pricing and finishes
03/31/22	Updated option codes
08/18/22	Added surcharge note
12/01/22	Updated pricing
10/18/23	Updated finishes and product detail for laminate bases
03/15/24	Updated pricing

table of contents

Laminates	4-5
Product Details	6-17
Table Tops	18-23
Bases	24-27
Monitor Walls	28-34
Whiteboards	35
Terms and Conditions	36
Warranty	37

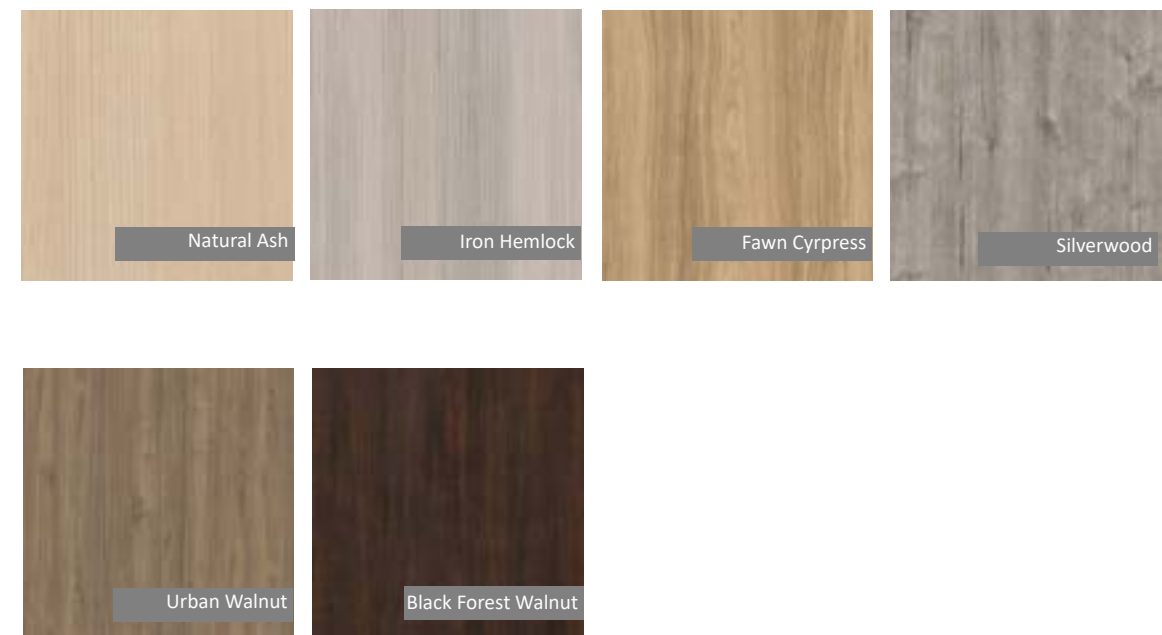
laminates finishes

standard thermofuse laminate (TFL)



Matching 2MM PVC edgebanding is available for all Standard TFL finishes shown here.
For HPL match information please visit deskmakers.com/resources/materials

premium thermofuse laminate (TFL)



Premium TFLs require a 10% upcharge. Add item code OP-TTFL-1.
Matching 2MM PVC edgebanding is available for all Premium TFL finishes shown here.
For HPL match information please visit deskmakers.com/resources/materials

high pressure laminate (HPL)

- Pricing shown in this price list applies only to non-premium HPLs as follows:
- Wilsonart: Solids, Woodgrains, and Abstracts in Matte (-60) finish,
 - Formica: Color Portfolio, Woodgrains, and Patterns in Matte (-58) finish
 - Pionite: Solids, Woodgrains, and Abstracts in Suede (N) finish
 - Arborite: Solids, Woodgrains, Textures and Abstracts in Matte (CA) finish
 - Nevamar: Solids, Woodgrains, Stones and Abstracts in ARP (-T) finish

A minimum charge of \$520 net per HPL color will be applied to each order.

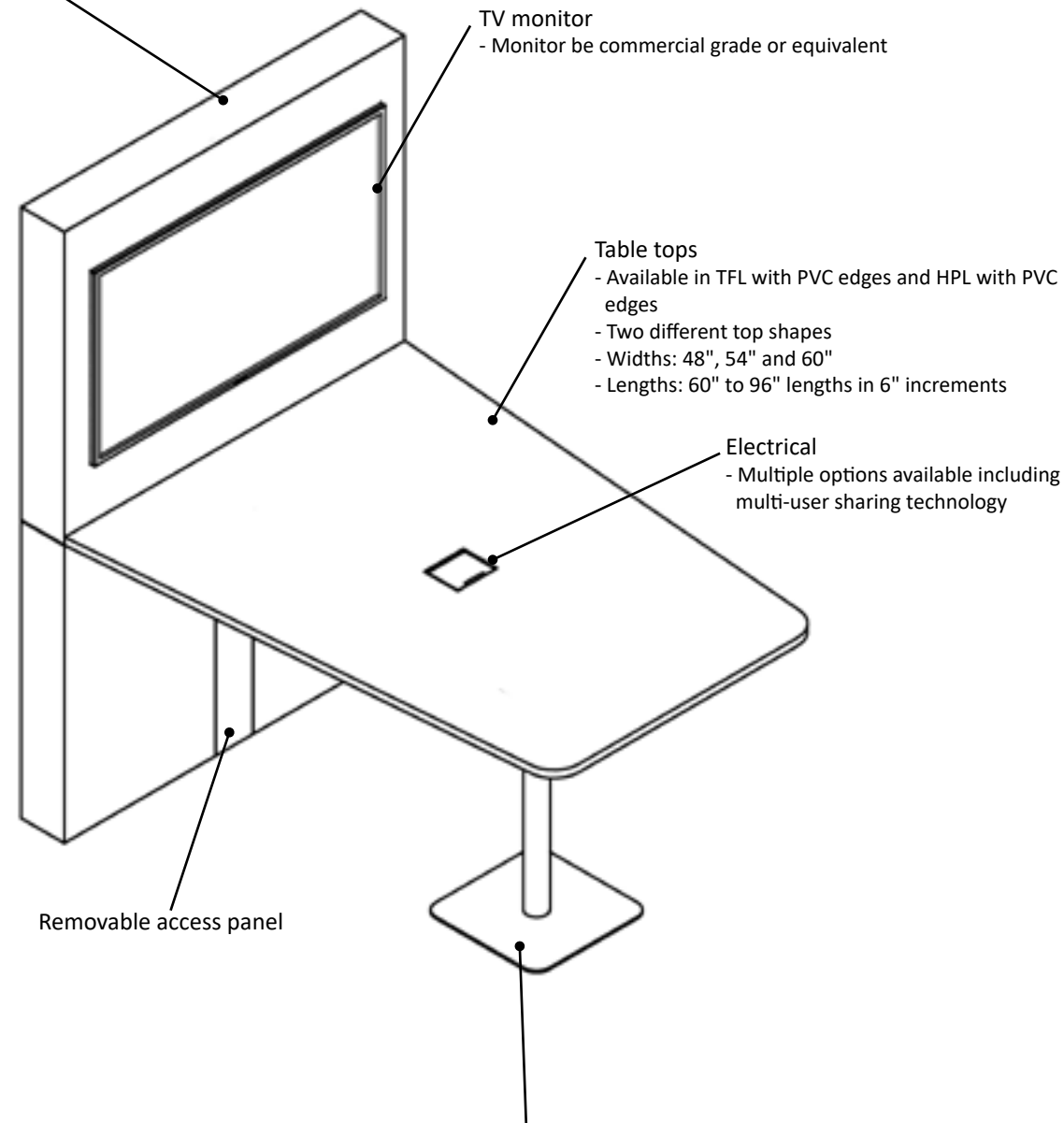
Call customer service for pricing for all other HPLs.

Additional lead times required for HPL orders depending on material availability and order complexity.
HPL is always available with DeskMakers standard 2MM edgebanding. Special order matching PVC 2MM edgebanding may be available for orders \$25,000 List or larger, call customer service for pricing.

Understanding Narrative

Monitor walls

- Available in two depths 6-7/8" and 1-7/8"
- Sitting height: 72" high full height wall, 28-3/8" high half height wall (without levelers, levelers will add 3/4")
- Standing height: 84" high full height wall, 40-3/8" high half height wall (without levelers, levelers will add 3/4")



TV monitor
- Monitor be commercial grade or equivalent

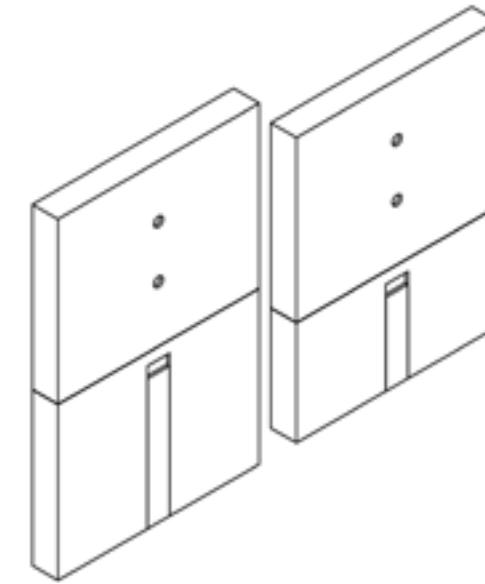
Table tops
- Available in TFL with PVC edges and HPL with PVC edges
- Two different top shapes
- Widths: 48", 54" and 60"
- Lengths: 60" to 96" lengths in 6" increments

Electrical
- Multiple options available including multi-user sharing technology

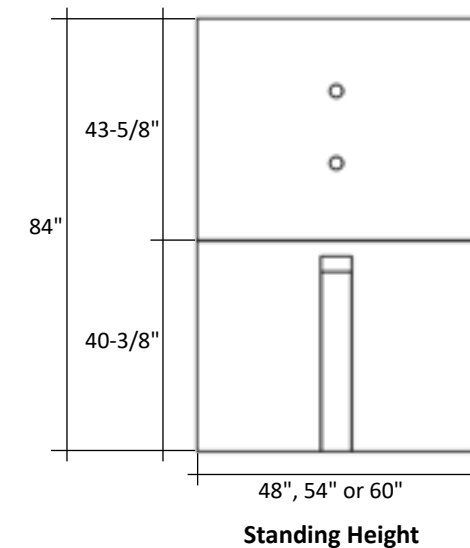
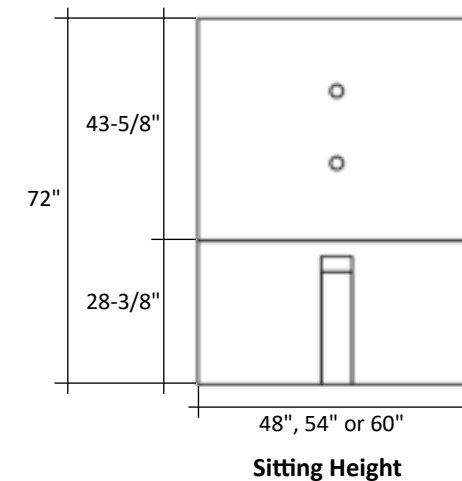
Removable access panel

Bases
- Available in metal, laminate and height adjustable
- Metal standing height bases available with and without foot rail
- Sitting height: 29-1/2" high table top, levelers will add 3/4"
- Standing height: 41-1/2" high table top, levelers will add 3/4"

Monitor Wall



- Monitor walls are constructed of plywood and particle board. Center of wall is hollow to allow routing of wires.
- Finished on both sides. Only available in HPL.
- Can be mounted to structural wall or used in open floor plan. Must have a table unit secured to wall, can not be used as a freestanding wall.
- Monitors can be mounted on both sides of wall. A whiteboard can be mounted to back side.
- Wall ships in two pieces.
- Removable access panels and grommets.
- Levelers.

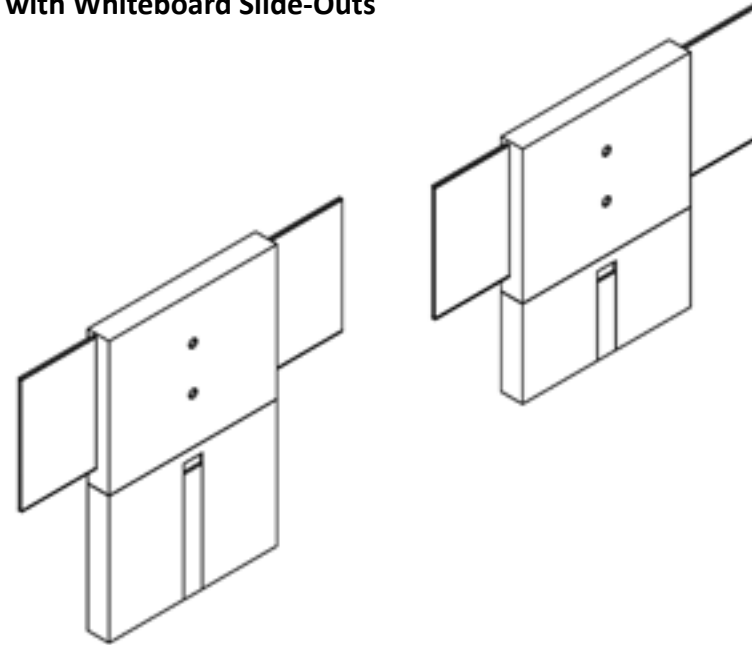


*Height dimensions above do not include levelers. Levelers will add 3/4" in height.

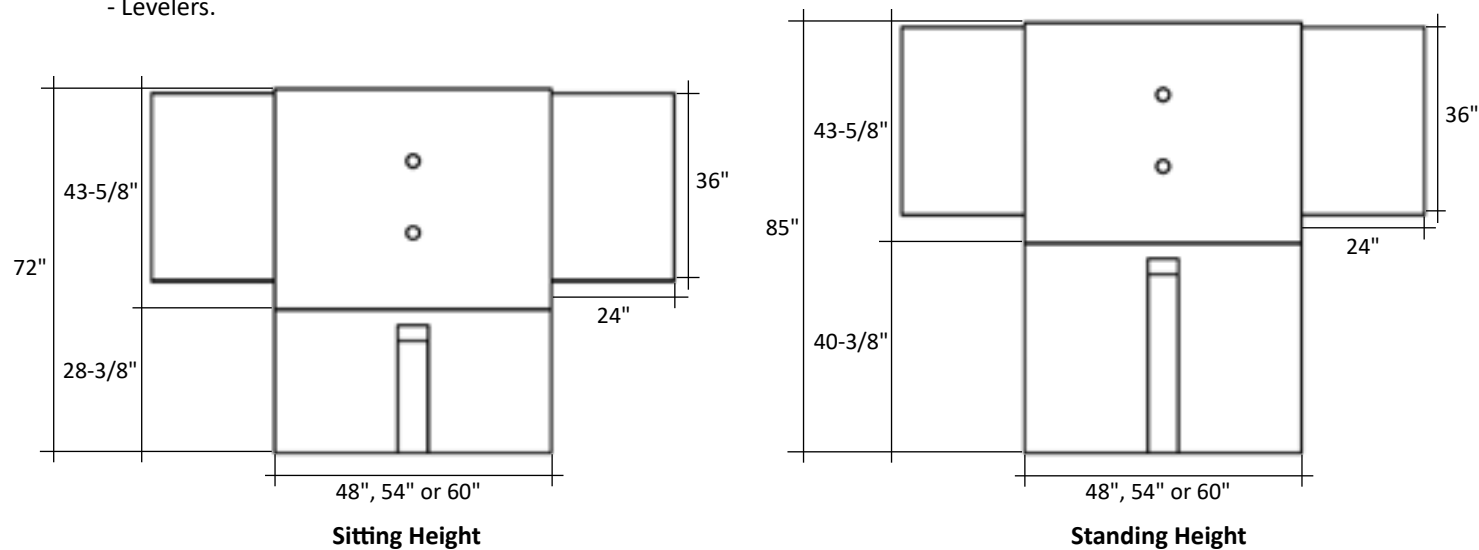
TV mount is not included. Designed for use with low-profile, fixed TV wall mount brackets, non-articulating. TV mount is to be field installed.

- Recommended TV size (measured diagonally):
- 48" wide walls: 48" screens and smaller
 - 54" wide walls: 56" screens and smaller
 - 60" wide walls: 62" screens and smaller

Monitor Wall with Whiteboard Slide-Outs



- Monitor walls are constructed of plywood and particle board. Center of wall is hollow to allow routing of wires.
- Finished on both sides. Only available in HPL.
- Can be mounted to structural wall or used in open floor plan. Must have a table unit secured to wall, can not be used as a freestanding wall.
- Monitors can be mounted on both sides of wall. A whiteboard can be mounted to back side.
- Wall ships in two pieces.
- Slide-out whiteboards are double sided, so when wall is freestanding, both sides can be utilized.
- Removable access panels and grommets.
- Levelers.

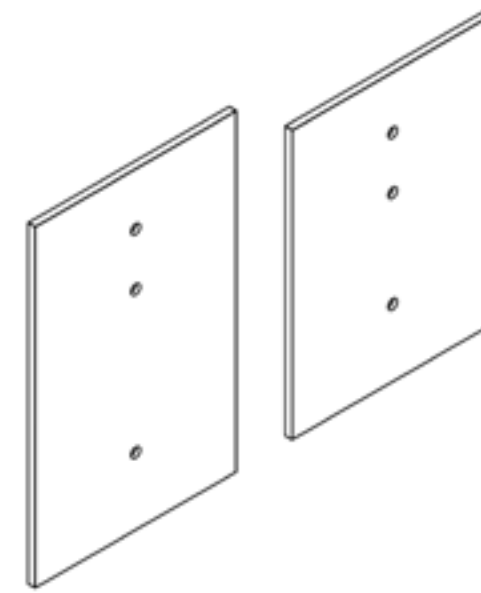


*Height dimensions above do not include levelers. Levelers will add 3/4" in height.

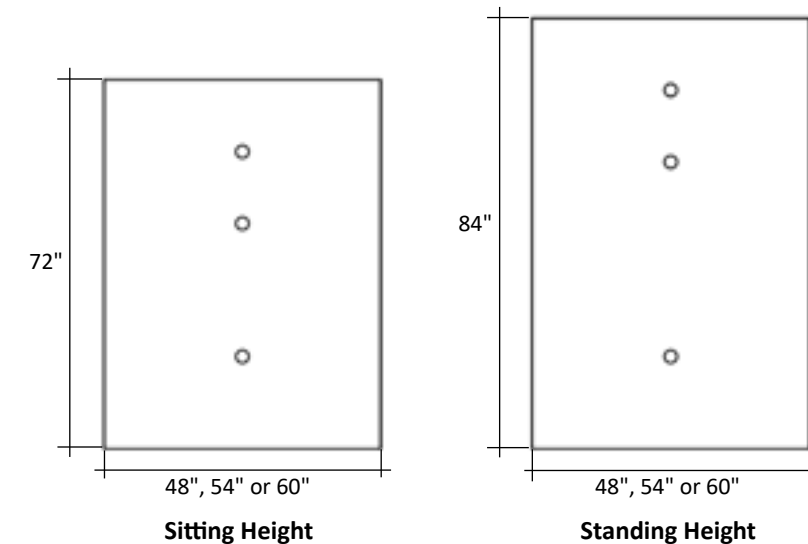
TV mount is not included. Designed for use with low-profile, fixed TV wall mount brackets, non-articulating. TV mount is to be field installed.

- Recommended TV size (measured diagonally):
- 48" wide walls: 48" screens and smaller
 - 54" wide walls: 56" screens and smaller
 - 60" wide walls: 62" screens and smaller

Thin Wall



- Monitor walls are constructed of plywood and particle board. Center of wall has a cavity to allow routing of wires.
- Unfinished on back side.
- Available in TFL or HPL with 2MM PVC edges. PVC only available with DeskMakers standard colors.
- Must be mounted on structural wall. Must have a table unit secured to wall, can not be used as a freestanding wall.
- Wall ships in one piece.
- 2-1/2" plastic grommets for wire routing.
- Levelers.

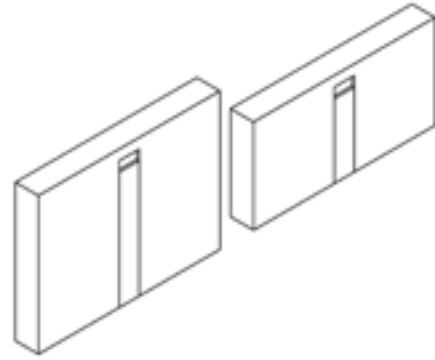


*Height dimensions above do not include levelers. Levelers will add 3/4" in height.

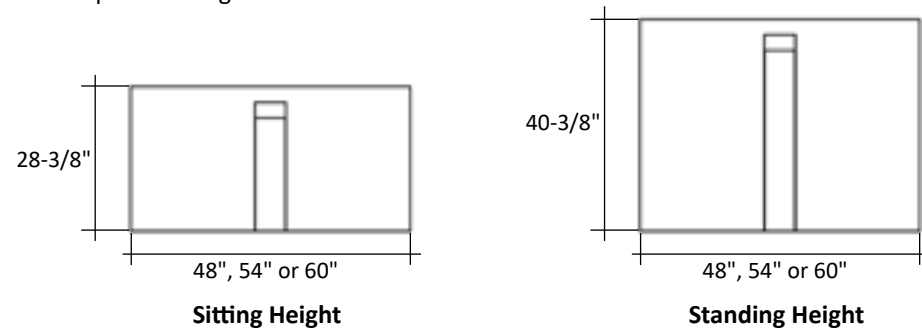
TV mount is not included. Designed for use with low-profile, fixed TV wall mount brackets, non-articulating. TV mount is to be field installed. Screws for installing the monitor mount need to be longer than 1-1/4".

- Recommended TV size (measured diagonally):
- 48" wide walls: 48" screens and smaller
 - 54" wide walls: 56" screens and smaller
 - 60" wide walls: 62" screens and smaller

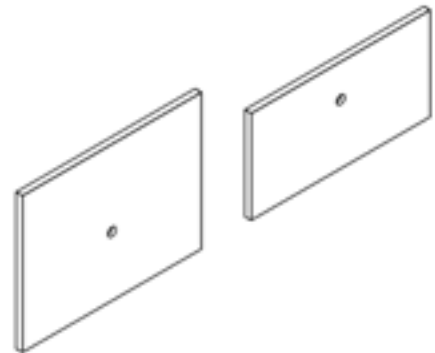
Monitor Half Wall



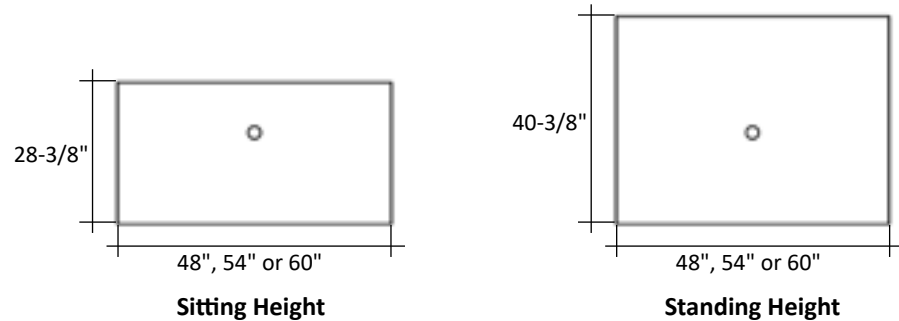
- Monitor walls are constructed of plywood and particle board. Center of wall is hollow to allow routing of wires.
- Finished on both sides. Only available in HPL.
- Must have a table unit secured to wall, can not be used as a freestanding wall.
- Removable access panels and grommets.
- Levelers.



Thin Half Wall



- Monitor walls are constructed of plywood and particle board. Center of wall has a cavity to allow routing of wires.
- Unfinished on back side.
- Available in TFL or HPL with 2MM PVC edges. PVC only available with DeskMakers standard colors.
- Must have a table unit secured to wall, can not be used as a freestanding wall.
- 2-1/2" plastic grommet located 18" on center from bottom of wall.
- Levelers.



*Height dimensions above do not include levelers. Levelers will add 3/4" in height.

Seating Capacity



Tapered Top



D-Shape Top

Table Top Width	Table Top Length	Seating Capacity
48" & 54"	60"	4-5
48" & 54"	66"	4-5
48" & 54"	72"	4-6
48" & 54"	78"	5-7
48" & 54"	84"	5-7
48" & 54"	90"	6-7
48" & 54"	96"	6-8
60"	60"	4-6
60"	66"	4-6
60"	72"	5-7
60"	78"	5-7
60"	84"	6-8
60"	90"	6-8
60"	96"	7-9

Table Top Width	Table Top Length	Seating Capacity
48" & 54"	60"	5-6
48" & 54"	66"	5-6
48" & 54"	72"	6-7
48" & 54"	78"	7-8
48" & 54"	84"	7-8
48" & 54"	90"	8-9
48" & 54"	96"	8-9
60"	60"	5-6
60"	66"	6-7
60"	72"	6-7
60"	78"	7-8
60"	84"	8-9
60"	90"	8-9
60"	96"	9-10

Grommet Location

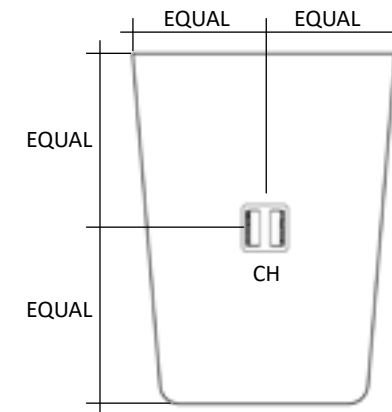
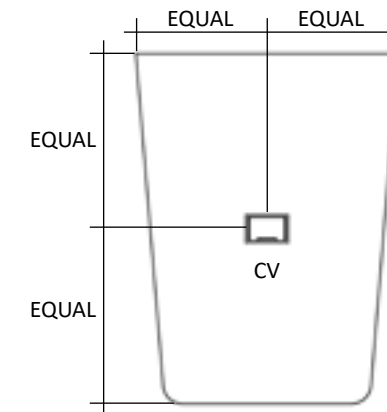
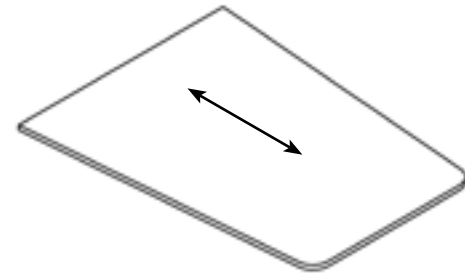


Table Top Shapes

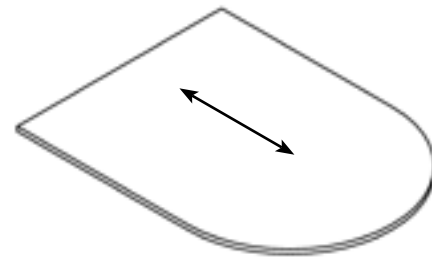
Narrative table tops are 1-1/8" thick with 45 pound industrial grade particle board core and are available in two shapes. Table tops are available in either TFL with 2MM PVC edge and HPL with 2MM PVC edge in the standard DeskMakers PVC colors.

Grain Direction

All table tops for Narrative run long grain, grain running the length of the top.

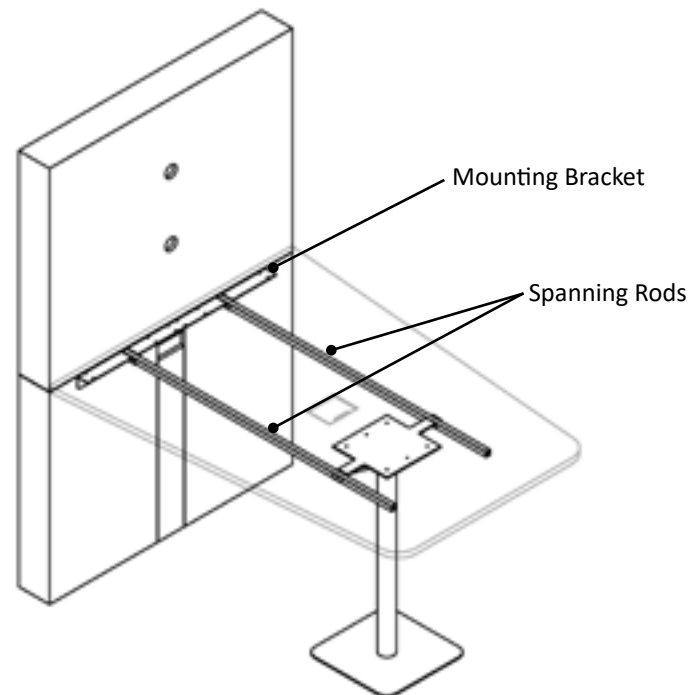


Tapered



D-Shape Top

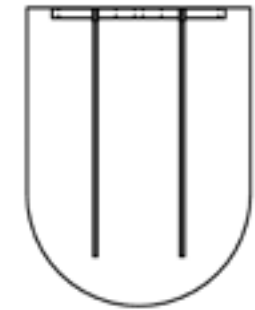
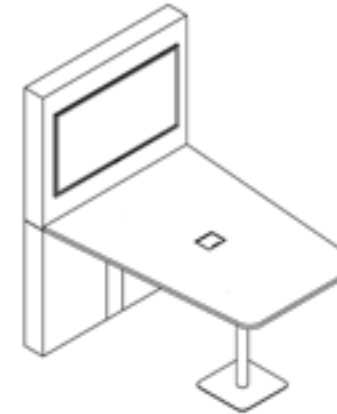
Table Top Mounting Bracket



- Table tops mount to monitor walls, thin walls, structural walls and half walls with metal mounting brackets.
- Spanning rods connect the base to the wall to provide rigid structure for supporting the table top. The spanning rods also reduce the number of bases required.
- Attaching the bracket and spanning rods to the wall and base, allows the table top to be installed last, preventing the opportunity for damage.

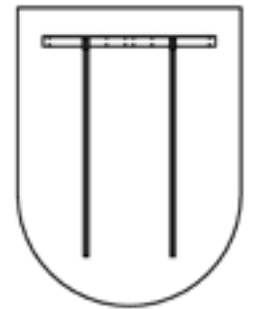
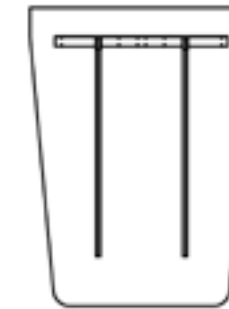
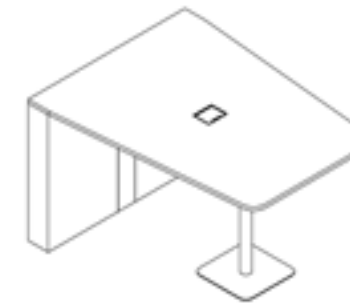
Wall Mounted Table Tops

- Table top can be mounted to monitor walls, thin walls or structural walls.
- Spanning rods are 12" shorter than the table top length.



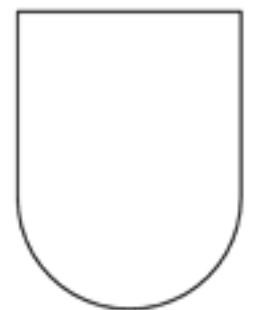
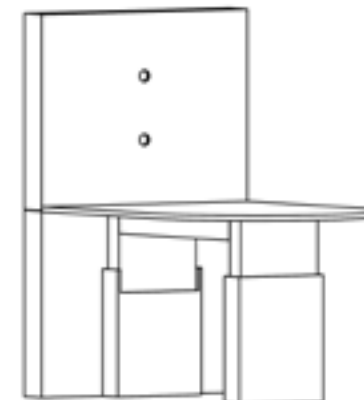
Half Wall Table Tops

- Table top can be mounted to monitor half walls and thin half walls. Cannot be mounted to structural walls.
- Spanning rods are 19" shorter than the table top length.



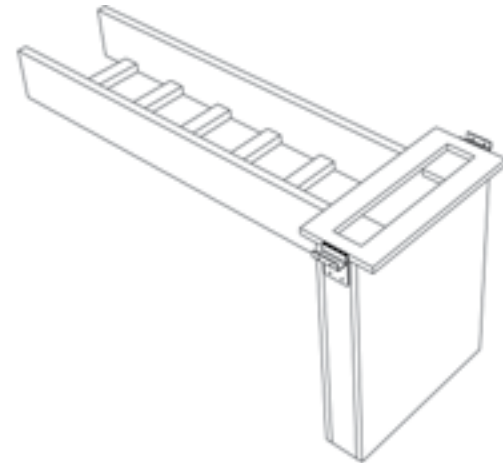
Height Adjustable Table Tops

- Table top can only be mounted to height adjustable bases.
- Does not include spanning rods, height adjustable bases include j-rail support.



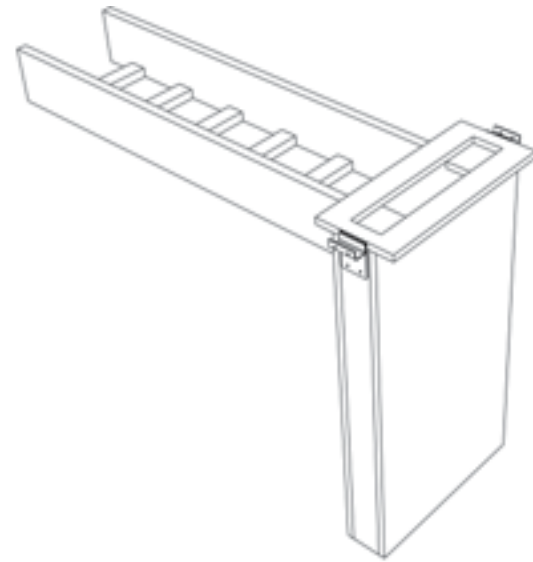
Laminate Bases

Stationary Laminate Bases



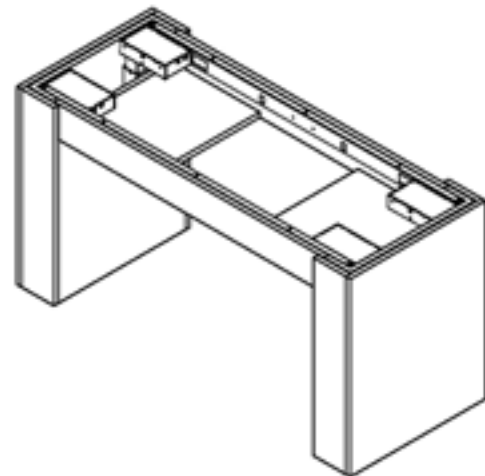
**Sitting Height
28-3/8" high**

- Constructed of 3/4" thick particle board, 5" deep x 21-1/4" wide.
- Includes wire management stretchers.
- Includes U-channels to secure spanning rods to base.
- Includes access door
- Includes installation hardware.
- Levelers will add 3/4" in height.



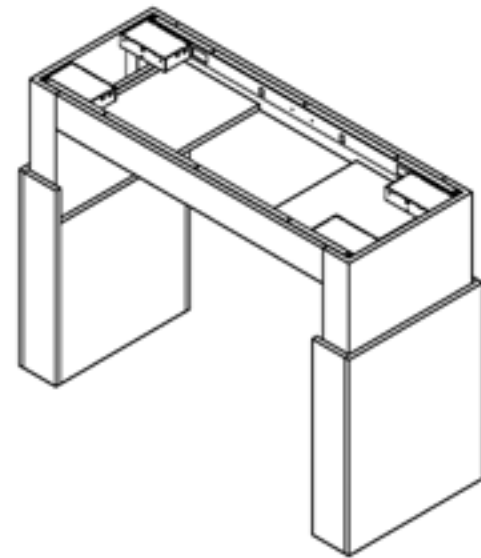
**Standing Height
40-3/8" high**

Height Adjustable Bases



**Sitting Height
28-29" high**

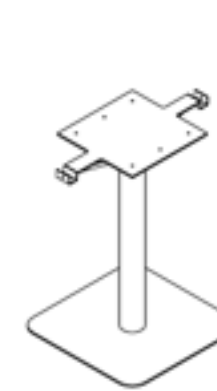
- Constructed of 3/4" thick particle board, 7-3/8" deep x 25" wide.
- Available in HPL only.
- Height adjustable range, 28" to 43".
- Mounts to the underside of the table top with J-Channels.
- Interior base shroud conceals electric lifting columns and wires.
- Includes access doors.
- Includes installation hardware.
- Levelers will add 3/4" in height.



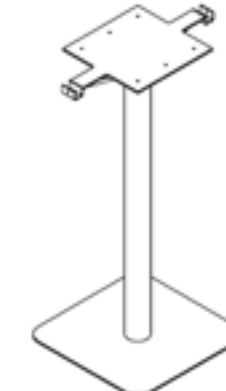
**Standing Height
41-43" high**

Metal Bases

Metal Pedestal Bases



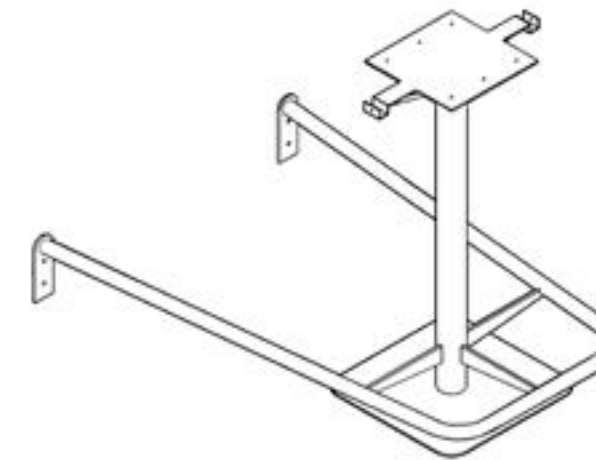
**Sitting Height
28-3/8" high**



**Standing Height
40-3/8" high**

- Welded steel construction.
- Silver powdercoat finish.
- 3" diameter column.
- Wires can be routed through base, grommet hole in the foot plate.
- Grommet access hole below top plate.
- Mounts to the underside of the table top with a fixed steel plate.
- Includes installation hardware.
- Levelers will add 3/4" in height.

Metal Pedestal Standing Height Base with Foot Rail



**Standing Height
40-3/8" high**

- Metal pedestal standing height base is standard metal pedestal base.
- Foot rail is 1-1/2" diameter steel tubing permanently affixed to pedestal base.
- Foot rail is 6" above floor.
- Mounts to the underside of the table top with a fixed steel plate.
- Foot rail mounts to face of monitor wall.
- Includes installation hardware.
- Levelers will add 3/4" in height.
- Not available in D-shape.

Recessed Power and Data Unit with USB

AC-DPGR-72

See Electrical Pricebook for pricing and more power options



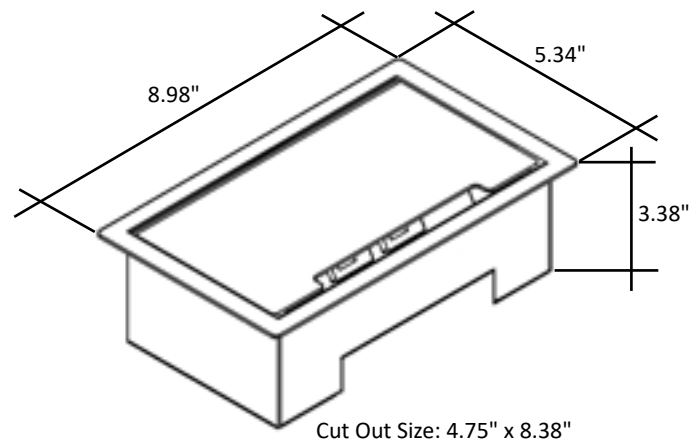
(image shown with interface plate - not included)

Specifications

- (2) power outlets
- (2) 2.1A USB charging ports
- (1) convenience outlet on bottom
- (1) cutout for interface plate (not included)
- (2) RJ-45 keystone knock outs (jacks not included)
- (2) Cord Pass Throughs
- 144" long 15amp plug cord
- Available finishes: Black, Silver, White and Brushed Aluminum
- Hardwire version available upon request

For Use With:

- Conference Tables including Scale 1:1 Collection
- Training Tables
- Parsons Tables (36" & 42" deep only)
- TeamWorx Worksurfaces
- Hover Worksurfaces



Cut Out Size: 4.75" x 8.38"

Also Available with 4 Outlets, No Interface Plate

- See page 28 of the Electrical Pricebook for pricing.



Recessed Power with USB and Data Unit

AC-DPGR-78

See Electrical Pricebook for pricing and more power options

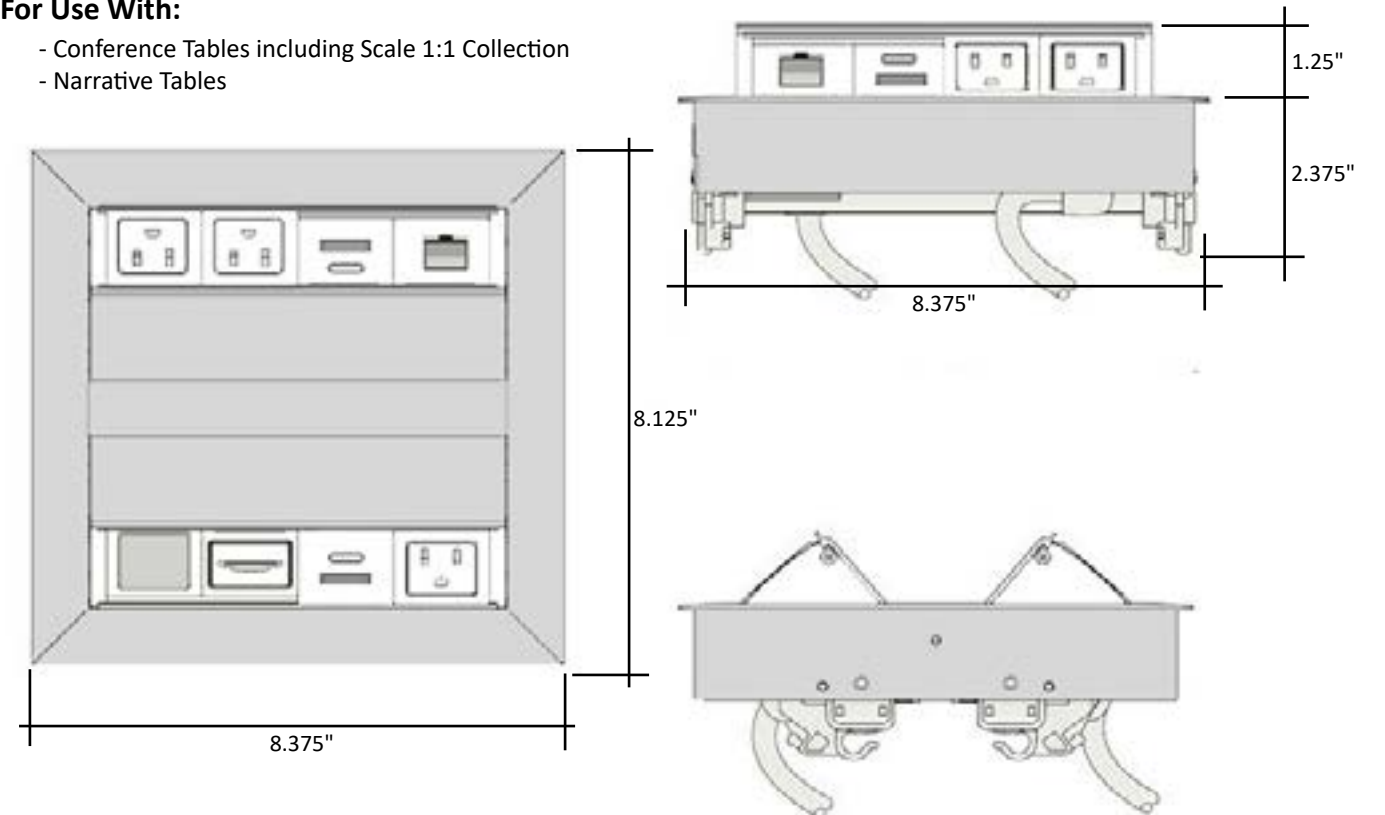


Specifications

- (3) power outlets
- (2) 2.1A USB charging ports
- (2) 45W C USB charging ports
- (1) RJ-45 Data port
- (1) HDMI port
- (2) 72" long 15amp plug cords
- Available finishes: White, Silver

For Use With:

- Conference Tables including Scale 1:1 Collection
- Narrative Tables



Tapered Table Top

For Use with Full Height Walls or Wall Mounted



Model Number	Depth	Length	Spanning Rod Length	TFL (T)	HPL w/PVC (H)
48" Deep					
NR-TPR1-4860-?	36-48	60	48	\$1,678	\$2,695
NR-TPR1-4866-?	36-48	66	54	\$1,777	\$2,855
NR-TPR1-4872-?	36-48	72	60	\$1,836	\$2,950
NR-TPR1-4878-?	36-48	78	66	\$1,894	\$3,044
NR-TPR1-4884-?	36-48	84	72	\$2,013	\$3,237
NR-TPR1-4890-?	36-48	90	78	\$2,074	\$3,331
NR-TPR1-4896-?	36-48	96	84	\$2,171	\$3,489
54" Deep					
NR-TPR1-5460-?	42-54	60	48	\$1,797	\$2,887
NR-TPR1-5466-?	42-54	66	54	\$1,902	\$3,055
NR-TPR1-5472-?	42-54	72	60	\$1,965	\$3,158
NR-TPR1-5478-?	42-54	78	66	\$2,028	\$3,261
NR-TPR1-5484-?	42-54	84	72	\$2,154	\$3,460
NR-TPR1-5490-?	42-54	90	78	\$2,216	\$3,562
NR-TPR1-5496-?	42-54	96	84	\$2,320	\$3,729
60" Deep					
NR-TPR1-6060-?	48-60	60	48	\$1,916	\$3,079
NR-TPR1-6066-?	48-60	66	54	\$2,025	\$3,254
NR-TPR1-6072-?	48-60	72	60	\$2,094	\$3,365
NR-TPR1-6078-?	48-60	78	66	\$2,163	\$3,476
NR-TPR1-6084-?	48-60	84	72	\$2,292	\$3,683
NR-TPR1-6090-?	48-60	90	78	\$2,361	\$3,794
NR-TPR1-6096-?	48-60	96	84	\$2,470	\$3,969

- TFL tops are only available with DeskMakers standard 2MM PVC edgebanding.
 - HPL tops with PVC are only available with DeskMakers standard 2MM PVC edgebanding.

D-Shape Table Top

For Use with Full Height Walls or Wall Mounted



Model Number	Depth	Length	Spanning Rod Length	TFL (T)	HPL w/PVC (H)
48" Deep					
NR-DTP1-4860-?	48	60	48	\$1,397	\$2,246
NR-DTP1-4866-?	48	66	54	\$1,481	\$2,380
NR-DTP1-4872-?	48	72	60	\$1,530	\$2,460
NR-DTP1-4878-?	48	78	66	\$1,579	\$2,538
NR-DTP1-4884-?	48	84	72	\$1,678	\$2,698
NR-DTP1-4890-?	48	90	78	\$1,727	\$2,775
NR-DTP1-4896-?	48	96	84	\$1,811	\$2,909
54" Deep					
NR-DTP1-5460-?	54	60	48	\$1,497	\$2,406
NR-DTP1-5466-?	54	66	54	\$1,583	\$2,546
NR-DTP1-5472-?	54	72	60	\$1,638	\$2,632
NR-DTP1-5478-?	54	78	66	\$1,689	\$2,717
NR-DTP1-5484-?	54	84	72	\$1,794	\$2,883
NR-DTP1-5490-?	54	90	78	\$1,849	\$2,969
NR-DTP1-5496-?	54	96	84	\$1,935	\$3,108
60" Deep					
NR-DTP1-6060-?	60	60	48	\$1,598	\$2,566
NR-DTP1-6066-?	60	66	54	\$1,688	\$2,714
NR-DTP1-6072-?	60	72	60	\$1,745	\$2,804
NR-DTP1-6078-?	60	78	66	\$1,801	\$2,895
NR-DTP1-6084-?	60	84	72	\$1,910	\$3,070
NR-DTP1-6090-?	60	90	78	\$1,968	\$3,161
NR-DTP1-6096-?	60	96	84	\$2,058	\$3,308

- TFL tops are only available with DeskMakers standard 2MM PVC edgebanding.
 - HPL tops with PVC are only available with DeskMakers standard 2MM PVC edgebanding.

Tapered Table Top

For Use with Half Height Walls



Model Number	Depth	Length	Spanning Rod Length	TFL (T)	HPL w/PVC (H)
48" Deep					
NR-TPR2-4860-?	36-48	60	48	\$1,616	\$2,598
NR-TPR2-4866-?	36-48	66	54	\$1,737	\$2,790
NR-TPR2-4872-?	36-48	72	60	\$1,795	\$2,884
NR-TPR2-4878-?	36-48	78	66	\$1,854	\$2,979
NR-TPR2-4884-?	36-48	84	72	\$1,953	\$3,139
NR-TPR2-4890-?	36-48	90	78	\$2,012	\$3,233
NR-TPR2-4896-?	36-48	96	84	\$2,131	\$3,426
54" Deep					
NR-TPR2-5460-?	42-54	60	48	\$1,737	\$2,790
NR-TPR2-5466-?	42-54	66	54	\$1,861	\$2,990
NR-TPR2-5472-?	42-54	72	60	\$1,925	\$3,092
NR-TPR2-5478-?	42-54	78	66	\$1,988	\$3,194
NR-TPR2-5484-?	42-54	84	72	\$2,092	\$3,362
NR-TPR2-5490-?	42-54	90	78	\$2,155	\$3,465
NR-TPR2-5496-?	42-54	96	84	\$2,280	\$3,665
60" Deep					
NR-TPR2-6060-?	48-60	60	48	\$1,856	\$2,982
NR-TPR2-6066-?	48-60	66	54	\$1,985	\$3,190
NR-TPR2-6072-?	48-60	72	60	\$2,054	\$3,300
NR-TPR2-6078-?	48-60	78	66	\$2,122	\$3,410
NR-TPR2-6084-?	48-60	84	72	\$2,231	\$3,586
NR-TPR2-6090-?	48-60	90	78	\$2,300	\$3,697
NR-TPR2-6096-?	48-60	96	84	\$2,429	\$3,904

- TFL tops are only available with DeskMakers standard 2MM PVC edgebanding.
 - HPL tops with PVC are only available with DeskMakers standard 2MM PVC edgebanding.

D-Shape Table Top

For Use with Half Height Walls



Model Number	Depth	Length	Spanning Rod Length	TFL (T)	HPL w/PVC (H)
48" Deep					
NR-DTP2-4860-?	48	60	48	\$1,347	\$2,165
NR-DTP2-4866-?	48	66	54	\$1,447	\$2,325
NR-DTP2-4872-?	48	72	60	\$1,496	\$2,405
NR-DTP2-4878-?	48	78	66	\$1,545	\$2,483
NR-DTP2-4884-?	48	84	72	\$1,628	\$2,615
NR-DTP2-4890-?	48	90	78	\$1,676	\$2,694
NR-DTP2-4896-?	48	96	84	\$1,777	\$2,853
54" Deep					
NR-DTP2-5460-?	54	60	48	\$1,447	\$2,325
NR-DTP2-5466-?	54	66	54	\$1,552	\$2,491
NR-DTP2-5472-?	54	72	60	\$1,603	\$2,578
NR-DTP2-5478-?	54	78	66	\$1,656	\$2,663
NR-DTP2-5484-?	54	84	72	\$1,744	\$2,801
NR-DTP2-5490-?	54	90	78	\$1,795	\$2,887
NR-DTP2-5496-?	54	96	84	\$1,900	\$3,053
60" Deep					
NR-DTP2-6060-?	60	60	48	\$1,546	\$2,485
NR-DTP2-6066-?	60	66	54	\$1,654	\$2,660
NR-DTP2-6072-?	60	72	60	\$1,711	\$2,750
NR-DTP2-6078-?	60	78	66	\$1,768	\$2,841
NR-DTP2-6084-?	60	84	72	\$1,860	\$2,989
NR-DTP2-6090-?	60	90	78	\$1,916	\$3,079
NR-DTP2-6096-?	60	96	84	\$2,024	\$3,253

- TFL tops are only available with DeskMakers standard 2MM PVC edgebanding.
 - HPL tops with PVC are only available with DeskMakers standard 2MM PVC edgebanding.

Tapered Table Top

For Use with Height Adjustable Bases



Model Number	Depth	Length	TFL (T)	HPL w/PVC (H)
48" Deep				
NR-TPR3-4860-?	36-48	60	\$1,210	\$1,947
NR-TPR3-4866-?	36-48	66	\$1,269	\$2,041
NR-TPR3-4872-?	36-48	72	\$1,329	\$2,134
NR-TPR3-4878-?	36-48	78	\$1,387	\$2,230
NR-TPR3-4884-?	36-48	84	\$1,446	\$2,323
NR-TPR3-4890-?	36-48	90	\$1,504	\$2,419
NR-TPR3-4896-?	36-48	96	\$1,563	\$2,512
54" Deep				
NR-TPR3-5460-?	42-54	60	\$1,279	\$2,056
NR-TPR3-5466-?	42-54	66	\$1,344	\$2,159
NR-TPR3-5472-?	42-54	72	\$1,407	\$2,262
NR-TPR3-5478-?	42-54	78	\$1,470	\$2,363
NR-TPR3-5484-?	42-54	84	\$1,534	\$2,466
NR-TPR3-5490-?	42-54	90	\$1,598	\$2,568
NR-TPR3-5496-?	42-54	96	\$1,662	\$2,671
60" Deep				
NR-TPR3-6060-?	48-60	60	\$1,348	\$2,167
NR-TPR3-6066-?	48-60	66	\$1,417	\$2,277
NR-TPR3-6072-?	48-60	72	\$1,486	\$2,388
NR-TPR3-6078-?	48-60	78	\$1,555	\$2,498
NR-TPR3-6084-?	48-60	84	\$1,623	\$2,606
NR-TPR3-6090-?	48-60	90	\$1,691	\$2,717
NR-TPR3-6096-?	48-60	96	\$1,760	\$2,827

- TFL tops are only available with DeskMakers standard 2MM PVC edgebanding.
 - HPL tops with PVC are only available with DeskMakers standard 2MM PVC edgebanding.

D-Shape Table Top

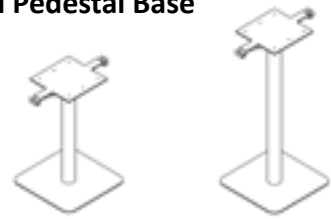
For Use with Height Adjustable Bases



Model Number	Depth	Length	TFL (T)	HPL w/PVC (H)
48" Deep				
NR-DTP3-4860-?	48	60	\$1,010	\$1,623
NR-DTP3-4866-?	48	66	\$1,057	\$1,701
NR-DTP3-4872-?	48	72	\$1,107	\$1,779
NR-DTP3-4878-?	48	78	\$1,156	\$1,859
NR-DTP3-4884-?	48	84	\$1,205	\$1,936
NR-DTP3-4890-?	48	90	\$1,255	\$2,014
NR-DTP3-4896-?	48	96	\$1,302	\$2,093
54" Deep				
NR-DTP3-5460-?	54	60	\$1,067	\$1,713
NR-DTP3-5466-?	54	66	\$1,119	\$1,799
NR-DTP3-5472-?	54	72	\$1,172	\$1,884
NR-DTP3-5478-?	54	78	\$1,226	\$1,968
NR-DTP3-5484-?	54	84	\$1,278	\$2,054
NR-DTP3-5490-?	54	90	\$1,332	\$2,140
NR-DTP3-5496-?	54	96	\$1,384	\$2,225
60" Deep				
NR-DTP3-6060-?	60	60	\$1,123	\$1,805
NR-DTP3-6066-?	60	66	\$1,180	\$1,896
NR-DTP3-6072-?	60	72	\$1,238	\$1,990
NR-DTP3-6078-?	60	78	\$1,295	\$2,080
NR-DTP3-6084-?	60	84	\$1,351	\$2,173
NR-DTP3-6090-?	60	90	\$1,410	\$2,265
NR-DTP3-6096-?	60	96	\$1,466	\$2,356

- TFL tops are only available with DeskMakers standard 2MM PVC edgebanding.
 - HPL tops with PVC are only available with DeskMakers standard 2MM PVC edgebanding.

Metal Pedestal Base

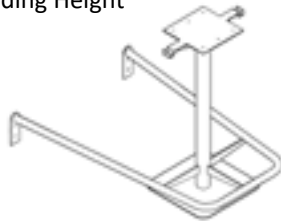


Model Number	Base Height	Price
Sitting Height		
NR-SDSK-01-SV	28-3/8	\$1,761
Standing Height		
NR-SDSK-05-SV	40-3/8	\$2,115

- May only be used on table tops with spanning rods. Cannot be used with height adjustable table tops.
- Welded steel with silver powdercoat finish.
- Base has grommet access hole at top of column to route wires through base.
- Includes levelers. Levelers will add 3/4" in height.

Metal Pedestal Base with Foot Rail

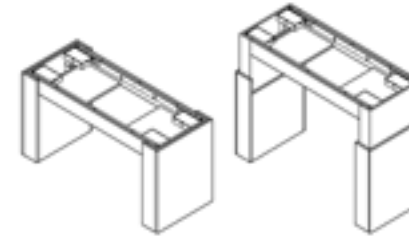
Standing Height



Model Number	Table Top Depth	Table Top Length	Base Height	Price
48" and 54" Deep Tapered Table Tops				
NR-RPSR-4860	48/54	60	40-3/8	\$4,933
NR-RPSR-4866	48/54	66	40-3/8	\$5,110
NR-RPSR-4872	48/54	72	40-3/8	\$5,286
NR-RPSR-4878	48/54	78	40-3/8	\$5,461
NR-RPSR-4884	48/54	84	40-3/8	\$5,637
NR-RPSR-4890	48/54	90	40-3/8	\$5,815
NR-RPSR-4896	48/54	96	40-3/8	\$5,990
60" Deep Tapered Table Tops				
NR-RPSR-6060	60	60	40-3/8	\$6,167
NR-RPSR-6066	60	66	40-3/8	\$6,343
NR-RPSR-6072	60	72	40-3/8	\$6,519
NR-RPSR-6078	60	78	40-3/8	\$6,696
NR-RPSR-6084	60	84	40-3/8	\$6,871
NR-RPSR-6090	60	90	40-3/8	\$7,047
NR-RPSR-6096	60	96	40-3/8	\$7,225

- May only be used on table tops with spanning rods. Cannot be used with height adjustable table tops.
- Welded steel with silver powdercoat finish.
- Base has grommet access hole at top of column to route wires through base.
- Includes levelers. Levelers will add 3/4" in height.

Laminate Height Adjustable Base



Model Number	Table Top Length	Base Width	Base Depth	HPL
NR-HAPN-60-H	60	25	7 3/8	\$7,486
NR-HAPN-66-H	66	25	7 3/8	\$7,525
NR-HAPN-72-H	72	25	7 3/8	\$7,563
NR-HAPN-78-H	78	25	7 3/8	\$7,602
NR-HAPN-84-H	84	25	7 3/8	\$7,640
NR-HAPN-90-H	90	25	7 3/8	\$7,678
NR-HAPN-96-H	96	25	7 3/8	\$7,717

- May only be used on table tops without spanning rods and wall attachment hardware - NR-TPR3 or NR-DTP3.
- Base has interior channel to route wires through base.
- Includes access doors.
- Bases ship unassembled.
- Includes leveling glides.

Laminate Base with Stetcher Trough

Sitting Height



Model Number	Base Width	Base Depth	Base Height	Stretcher Length	TFL (T)	HPL (H)
Sitting Height						
NR-BPNL-2860-?	21-1/4	5	28-3/8	37	\$856	\$1,850
NR-BPNL-2866-?	21-1/4	5	28-3/8	43	\$873	\$1,870
NR-BPNL-2872-?	21-1/4	5	28-3/8	49	\$885	\$1,881
NR-BPNL-2878-?	21-1/4	5	28-3/8	55	\$902	\$1,901
NR-BPNL-2884-?	21-1/4	5	28-3/8	61	\$916	\$1,915
NR-BPNL-2890-?	21-1/4	5	28-3/8	67	\$935	\$1,935
NR-BPNL-2896-?	21-1/4	5	28-3/8	73	\$947	\$1,948

- May only be used on table tops with spanning rods. Cannot be used with height adjustable table tops.
- Base has interior channel to route wires through base.
- Includes access door.
- Includes leveling glides.

Laminate Base with Stetcher Trough

Standing Height

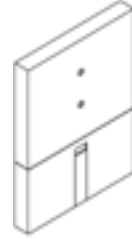


Model Number	Base Width	Base Depth	Base Height	Stretcher Length	TFL (T)	HPL (H)
Standing Height						
NR-BPNL-4160-?	21-1/4	5	40-3/8	37	\$971	\$2,160
NR-BPNL-4166-?	21-1/4	5	40-3/8	43	\$990	\$2,180
NR-BPNL-4172-?	21-1/4	5	40-3/8	49	\$1,000	\$2,191
NR-BPNL-4178-?	21-1/4	5	40-3/8	55	\$1,017	\$2,210
NR-BPNL-4184-?	21-1/4	5	40-3/8	61	\$1,031	\$2,225
NR-BPNL-4190-?	21-1/4	5	40-3/8	67	\$1,050	\$2,245
NR-BPNL-4196-?	21-1/4	5	40-3/8	73	\$1,061	\$2,259

- May only be used on table tops with spanning rods. Cannot be used with height adjustable table tops.
- Base has interior channel to route wires through base.
- Includes access door.
- Includes leveling glides.

Monitor Wall

Sitting Height

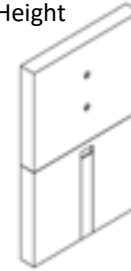


Model Number	Wall Width	Wall Depth	Wall Height	HPL
NR-MWFH-4872-H	48	6 7/8	72	\$8,311
NR-MWFH-5472-H	54	6 7/8	72	\$8,854
NR-MWFH-6072-H	60	6 7/8	72	\$9,394

- Constructed of plywood and particle board. Center of wall is hollow to allow routing of wires.
- Finished on both sides. Only available in HPL.
- Must have a table unit secured to wall, can not be used as a freestanding wall.
- Monitors can be mounted on both sides of wall. A whiteboard can be mounted to back side.
- Wall ships in two pieces.
- Removable access panels and grommets.
- Levelers.

Monitor Wall

Standing Height

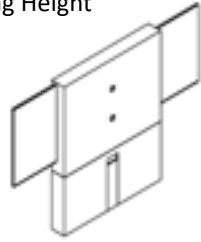


Model Number	Wall Width	Wall Depth	Wall Height	HPL
NR-MWFH-4884-H	48	6 7/8	84	\$8,439
NR-MWFH-5484-H	54	6 7/8	84	\$8,995
NR-MWFH-6084-H	60	6 7/8	84	\$9,551

- Constructed of plywood and particle board. Center of wall is hollow to allow routing of wires.
- Finished on both sides. Only available in HPL.
- Must have a table unit secured to wall, can not be used as a freestanding wall.
- Monitors can be mounted on both sides of wall. A whiteboard can be mounted to back side.
- Wall ships in two pieces.
- Removable access panels and grommets.
- Levelers.
- Slide-out whiteboards are 24" wide x 36" high on all monitor walls.

Monitor Wall with Slide-Out Whiteboards

Sitting Height

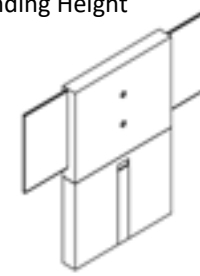


Model Number	Wall Width	Wall Depth	Wall Height	HPL
NR-MWWB-4872-H	48	6 7/8	72	\$11,381
NR-MWWB-5472-H	54	6 7/8	72	\$11,924
NR-MWWB-6072-H	60	6 7/8	72	\$12,466

- Constructed of plywood and particle board. Center of wall is hollow to allow routing of wires.
- Finished on both sides. Only available in HPL.
- Must have a table unit secured to wall, can not be used as a freestanding wall.
- Monitors can be mounted on both sides of wall. A whiteboard can be mounted to back side.
- Wall ships in two pieces.
- Removable access panels and grommets.
- Levelers.

Monitor Wall with Slide-Out Whiteboards

Standing Height

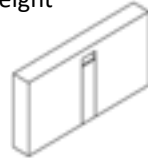


Model Number	Wall Width	Wall Depth	Wall Height	HPL
NR-MWWB-4884-H	48	6 7/8	84	\$11,509
NR-MWWB-5484-H	54	6 7/8	84	\$12,065
NR-MWWB-6084-H	60	6 7/8	84	\$12,621

- Constructed of plywood and particle board. Center of wall is hollow to allow routing of wires.
- Finished on both sides. Only available in HPL.
- Must have a table unit secured to wall, can not be used as a freestanding wall.
- Monitors can be mounted on both sides of wall. A whiteboard can be mounted to back side.
- Wall ships in two pieces.
- Removable access panels and grommets.
- Levelers.
- Slide-out whiteboards are 24" wide x 36" high on all monitor walls.

Monitor Wall - Half Height

Sitting Height

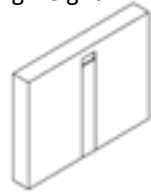


Model Number	Wall Width	Wall Depth	Wall Height	HPL
NR-MWHH-4828-H	48	6 7/8	28-3/8	\$4,413
NR-MWHH-5428-H	54	6 7/8	28-3/8	\$4,479
NR-MWHH-6028-H	60	6 7/8	28-3/8	\$4,528

- Constructed of plywood and particle board. Center of wall is hollow to allow routing of wires.
- Finished on both sides. Only available in HPL.
- Must have a table unit secured to wall, can not be used as a freestanding wall.
- Removable access panels and grommets.
- Levelers.

Monitor Wall- Half Height

Standing Height



Model Number	Wall Width	Wall Depth	Wall Height	HPL
NR-MWHH-4841-H	48	6 7/8	40-3/8	\$4,542
NR-MWHH-5441-H	54	6 7/8	40-3/8	\$5,160
NR-MWHH-6041-H	60	6 7/8	40-3/8	\$5,568

- Constructed of plywood and particle board. Center of wall is hollow to allow routing of wires.
- Finished on both sides. Only available in HPL.
- Must have a table unit secured to wall, can not be used as a freestanding wall.
- Removable access panels and grommets.
- Levelers.

Thin Wall

Sitting Height

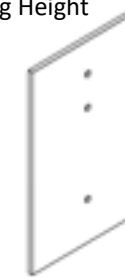


Model Number	Wall Width	Wall Depth	Wall Height	TFL	HPL
NR-TWFH-4872-?	48	1 7/8	72	\$1,939	\$3,116
NR-TWFH-5472-?	54	1 7/8	72	\$1,982	\$3,187
NR-TWFH-6072-?	60	1 7/8	72	\$2,026	\$3,257

- Monitor walls are constructed of plywood and particle board. Center of wall has a cavity to allow routing of wires.
- Unfinished on back side.
- Available in TFL or HPL with 2MM PVC edges. PVC only available with DeskMakers standard colors.
- Must be mounted on structural wall. Must have a table unit secured to wall, can not be used as a freestanding wall.
- Wall ships in one piece.
- 2-1/2" plastic grommets for wire routing.
- Levelers.

Thin Wall

Standing Height

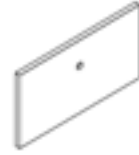


Model Number	Wall Width	Wall Depth	Wall Height	TFL	HPL
NR-TWFH-4884-?	48	1 7/8	84	\$1,999	\$3,211
NR-TWFH-5484-?	54	1 7/8	84	\$2,049	\$3,293
NR-TWFH-6084-?	60	1 7/8	84	\$2,100	\$3,373

- Monitor walls are constructed of plywood and particle board. Center of wall has a cavity to allow routing of wires.
- Unfinished on back side.
- Available in TFL or HPL with 2MM PVC edges. PVC only available with DeskMakers standard colors.
- Must be mounted on structural wall. Must have a table unit secured to wall, can not be used as a freestanding wall.
- Wall ships in one piece.
- 2-1/2" plastic grommets for wire routing.
- Levelers.

Thin Wall - Half Height

Sitting Height

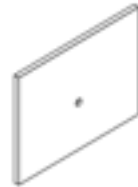


Model Number	Wall Width	Wall Depth	Wall Height	TFL	HPL
NR-TWHH-4828-?	48	1 7/8	28-3/8	\$1,163	\$1,870
NR-TWHH-5428-?	54	1 7/8	28-3/8	\$1,190	\$1,911
NR-TWHH-6028-?	60	1 7/8	28-3/8	\$1,216	\$1,954

- Monitor walls are constructed of plywood and particle board. Center of wall has a cavity to allow routing of wires.
- Unfinished on back side.
- Available in TFL or HPL with 2MM PVC edges. PVC only available with DeskMakers standard colors.
- Must be mounted on structural wall. Must have a table unit secured to wall, can not be used as a freestanding wall.
- Wall ships in one piece.
- 2-1/2" plastic grommets for wire routing.
- Levelers.

Thin Wall - Half Height

Standing Height



Model Number	Wall Width	Wall Depth	Wall Height	TFL	HPL
NR-TWHH-4841-?	48	1 7/8	40-3/8	\$1,199	\$1,927
NR-TWHH-5441-?	54	1 7/8	40-3/8	\$1,229	\$1,976
NR-TWHH-6041-?	60	1 7/8	40-3/8	\$1,261	\$2,025

- Monitor walls are constructed of plywood and particle board. Center of wall has a cavity to allow routing of wires.
- Unfinished on back side.
- Available in TFL or HPL with 2MM PVC edges. PVC only available with DeskMakers standard colors.
- Must be mounted on structural wall. Must have a table unit secured to wall, can not be used as a freestanding wall.
- Wall ships in one piece.
- 2-1/2" plastic grommets for wire routing.
- Levelers.

Wall Mounted Whiteboard



Model Number	Width	Depth	Height	Non-Magnetic Whiteboard (H)
NR-WTBD-4642-?	46	3/4	42	\$1,191
NR-WTBD-5242-?	52	3/4	42	\$1,337
NR-WTBD-5842-?	58	3/4	42	\$1,480

- Wall mounted whiteboards are 3/4" thick with white 2MM PVC edges.
- Whiteboards are cut exact to size.
- Mounts to walls using metal Z-clips.

Please visit [Deskmakers.com](https://deskmakers.com) to view our current [Terms and Conditions](#).

Please visit [Deskmakers.com](https://deskmakers.com) to view our current [Warranty](#).

Showroom Locations

Los Angeles

DeskMakers Headquarters
6525 Flotilla Street
Commerce, CA 90040

Chicago

The Merchandise Mart
Suite 10-154
Chicago, IL 60654

DeskMakers

Phone: 323.264.2260 | Fax: 323.725.6960
www.deskmakers.com