



# narrative

PRICE & SPECIFICATION GUIDE

Version: 12.01.24  
*prices effective February 1, 2025*

**DeskMakers**

## revisions

---

10/24/19	Updated layout and finishes
01/01/21	Updated pricing and finishes
09/01/21	Updated finishes
12/20/21	Updated pricing and finishes
03/31/22	Updated option codes
08/18/22	Added surcharge note
12/01/22	Updated pricing
10/18/23	Updated finishes and product detail for laminate bases
03/15/24	Updated pricing
8/30/24	Updated finishes
12/01/24	Updated pricing

## table of contents

---

Laminates	4-5
Product Details	6-17
Table Tops	18-23
Bases	24-27
Monitor Walls	28-34
Whiteboards	35
Terms and Conditions	36
Warranty	37

# laminates

---

## thermofuse laminate (TFL)

---

Pricing shown in this price list applies only to TFL finishes currently included in the DeskMakers finish collection. For the most accurate finish list please see [deskmakers.com](https://www.deskmakers.com).

## high pressure laminate (HPL)

---

Pricing shown in this price list applies only to non-premium HPLs as follows:

- Wilsonart: Solids, Woodgrains, and Abstracts in Matte (-60) finish,
- Formica: Color Portfolio, Woodgrains, and Patterns in Matte (-58) finish
- Pionite: Solids, Woodgrains, and Abstracts in Suede (N) finish
- Arborite: Solids, Woodgrains, Textures and Abstracts in Matte (CA) finish
- Nevamar: Solids, Woodgrains, Stones and Abstracts in ARP (-T) finish

A minimum charge of \$546 net per HPL color will be applied to each order.

Call customer service for pricing for all other HPLs.

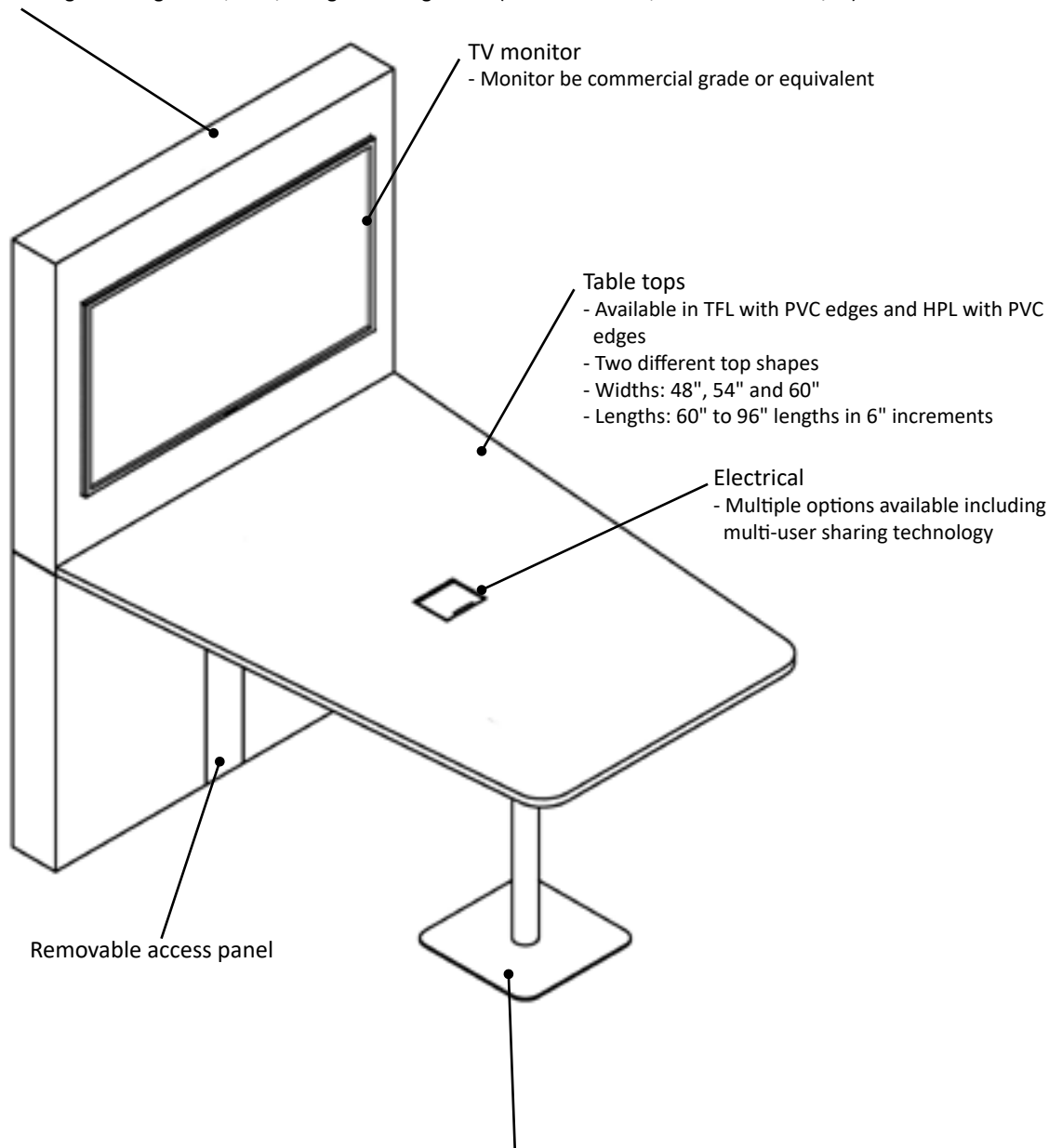
Additional lead times required for HPL orders depending on material availability and order complexity.

HPL is always available with DeskMakers standard 2MM edgebanding. Special order matching PVC 2MM edgebanding may be available for orders \$25,000 List or larger, call customer service for pricing.

## Understanding Narrative

## Monitor walls

- Available in two depths 6-7/8" and 1-7/8"
- Sitting height: 72" high full height wall, 28-3/8" high half height wall (without levelers, levelers will add 3/4")
- Standing height: 84" high full height wall, 40-3/8" high half height wall (without levelers, levelers will add 3/4")



## TV monitor

- Monitor be commercial grade or equivalent

## Table tops

- Available in TFL with PVC edges and HPL with PVC edges
- Two different top shapes
- Widths: 48", 54" and 60"
- Lengths: 60" to 96" lengths in 6" increments

## Electrical

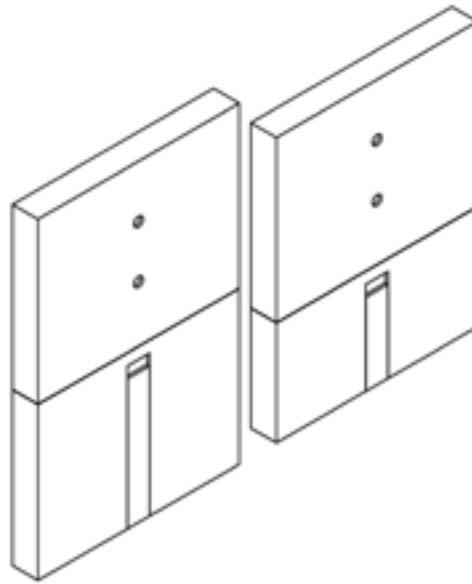
- Multiple options available including multi-user sharing technology

## Removable access panel

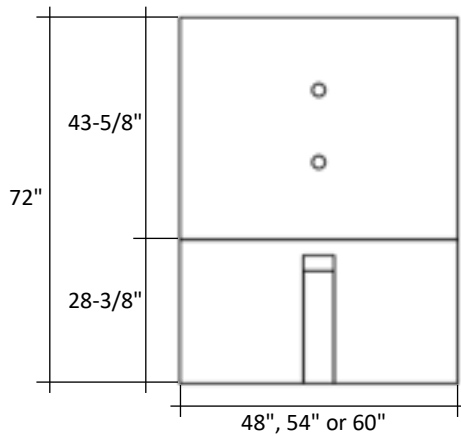
## Bases

- Available in metal, laminate and height adjustable
- Metal standing height bases available with and without foot rail
- Sitting height: 29-1/2" high table top, levelers will add 3/4"
- Standing height: 41-1/2" high table top, levelers will add 3/4"

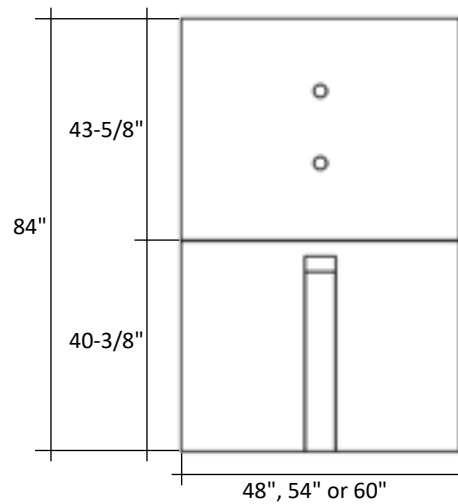
## Monitor Wall



- Monitor walls are constructed of plywood and particle board. Center of wall is hollow to allow routing of wires.
- Finished on both sides. Only available in HPL.
- Can be mounted to structural wall or used in open floor plan. Must have a table unit secured to wall, can not be used as a freestanding wall.
- Monitors can be mounted on both sides of wall. A whiteboard can be mounted to back side.
- Wall ships in two pieces.
- Removable access panels and grommets.
- Levelers.



**Sitting Height**



**Standing Height**

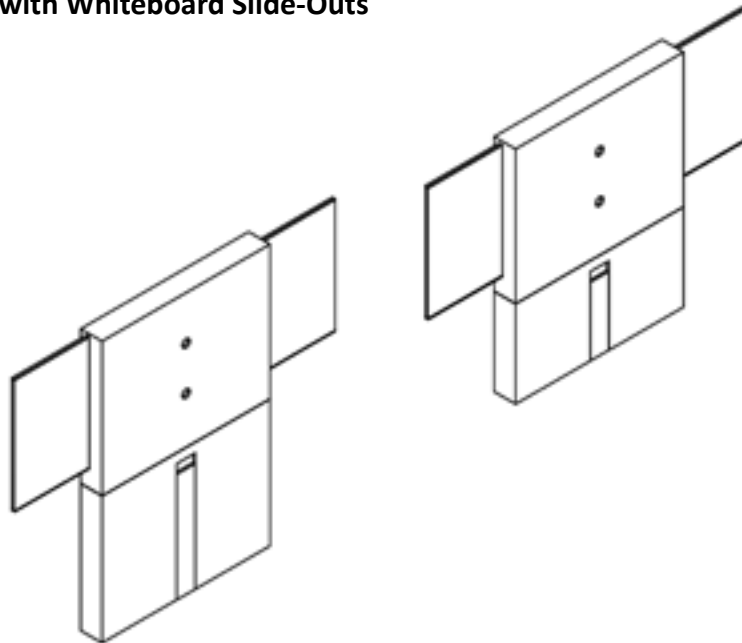
\*Height dimensions above do not include levelers. Levelers will add 3/4" in height.

TV mount is not included. Designed for use with low-profile, fixed TV wall mount brackets, non-articulating. TV mount is to be field installed.

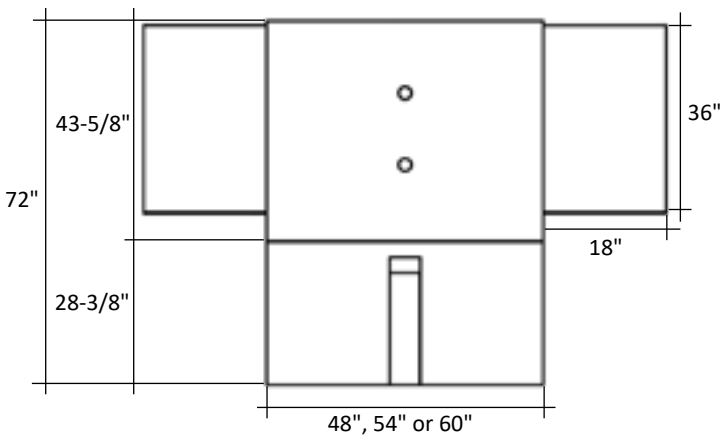
Recommended TV size (measured diagonally):

- 48" wide walls: 48" screens and smaller
- 54" wide walls: 56" screens and smaller
- 60" wide walls: 62" screens and smaller

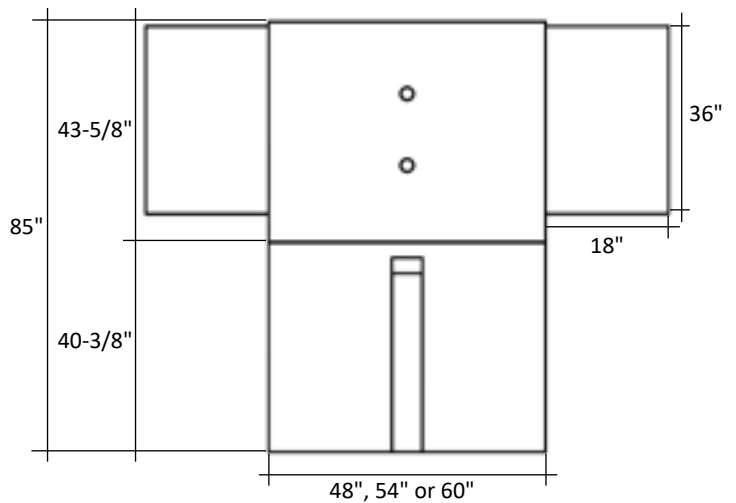
**Monitor Wall with Whiteboard Slide-Outs**



- Monitor walls are constructed of plywood and particle board. Center of wall is hollow to allow routing of wires.
- Finished on both sides. Only available in HPL.
- Can be mounted to structural wall or used in open floor plan. Must have a table unit secured to wall, can not be used as a freestanding wall.
- Monitors can be mounted on both sides of wall. A whiteboard can be mounted to back side.
- Wall ships in two pieces.
- Slide-out whiteboards are double sided, so when wall is freestanding, both sides can be utilized.
- Removable access panels and grommets.
- Levelers.



**Sitting Height**



**Standing Height**

\*Height dimensions above do not include levelers. Levelers will add 3/4" in height.

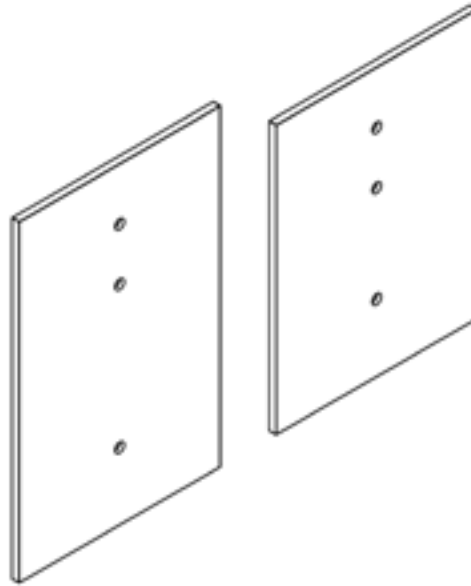
TV mount is not included. Designed for use with low-profile, fixed TV wall mount brackets, non-articulating. TV mount is to be field installed.

Recommended TV size (measured diagonally):

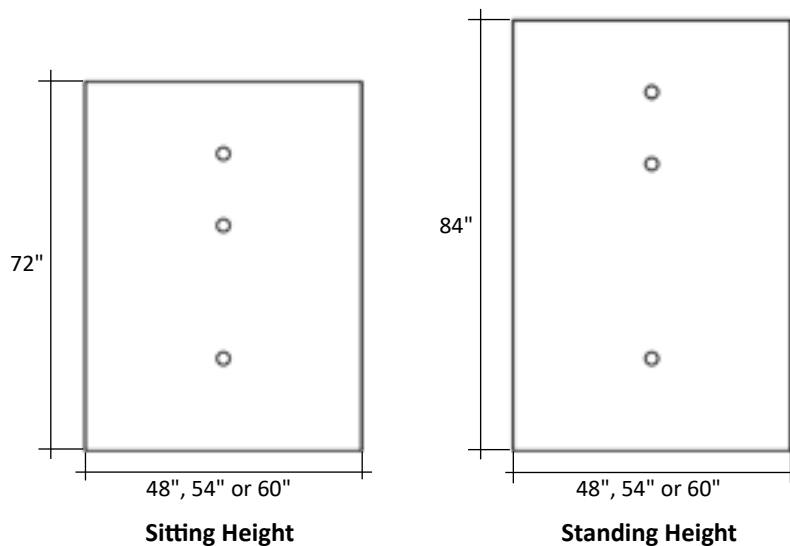
- 48" wide walls: 48" screens and smaller
- 54" wide walls: 56" screens and smaller
- 60" wide walls: 62" screens and smaller



## Thin Wall



- Monitor walls are constructed of plywood and particle board. Center of wall has a cavity to allow routing of wires.
- Unfinished on back side.
- Available in TFL or HPL with 2MM PVC edges. PVC only available with DeskMakers standard colors.
- Must be mounted on structural wall. Must have a table unit secured to wall, can not be used as a freestanding wall.
- Wall ships in one piece.
- 2-1/2" plastic grommets for wire routing.
- Levelers.



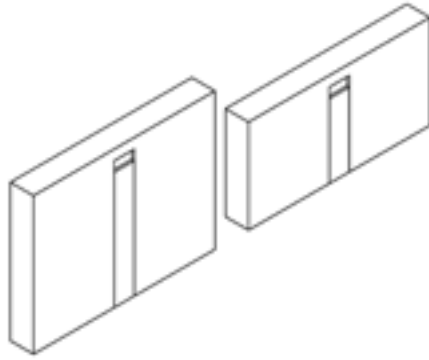
\*Height dimensions above do not include levelers. Levelers will add 3/4" in height.

TV mount is not included. Designed for use with low-profile, fixed TV wall mount brackets, non-articulating. TV mount is to be field installed. Screws for installing the monitor mount need to be longer than 1-1/4".

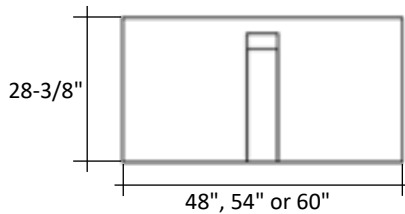
Recommended TV size (measured diagonally):

- 48" wide walls: 48" screens and smaller
- 54" wide walls: 56" screens and smaller
- 60" wide walls: 62" screens and smaller

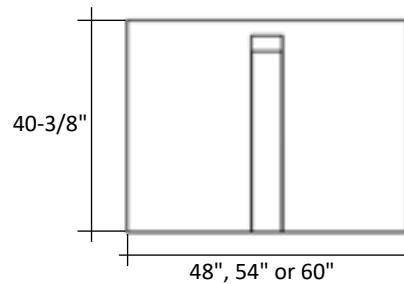
**Monitor Half Wall**



- Monitor walls are constructed of plywood and particle board. Center of wall is hollow to allow routing of wires.
- Finished on both sides. Only available in HPL.
- Must have a table unit secured to wall, can not be used as a freestanding wall.
- Removable access panels and grommets.
- Levelers.

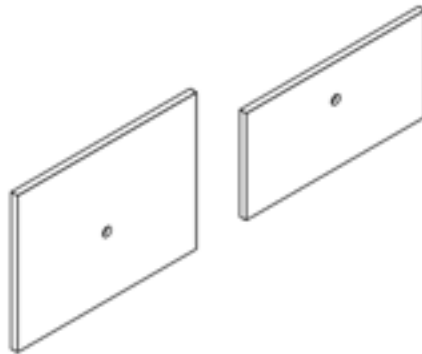


**Sitting Height**

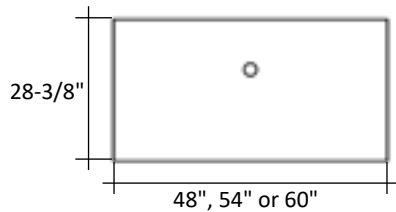


**Standing Height**

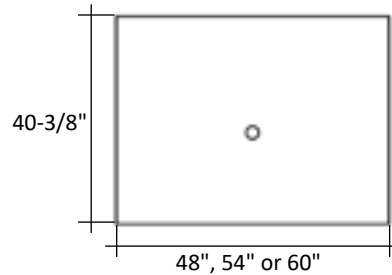
**Thin Half Wall**



- Monitor walls are constructed of plywood and particle board. Center of wall has a cavity to allow routing of wires.
- Unfinished on back side.
- Available in TFL or HPL with 2MM PVC edges. PVC only available with DeskMakers standard colors.
- Must have a table unit secured to wall, can not be used as a freestanding wall.
- 2-1/2" plastic grommet located 18" on center from bottom of wall.
- Levelers.



**Sitting Height**



**Standing Height**

\*Height dimensions above do not include levelers. Levelers will add 3/4" in height.

## Seating Capacity



Tapered Top

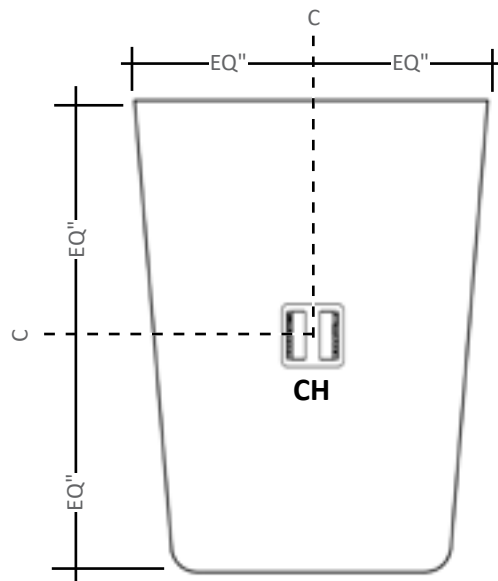
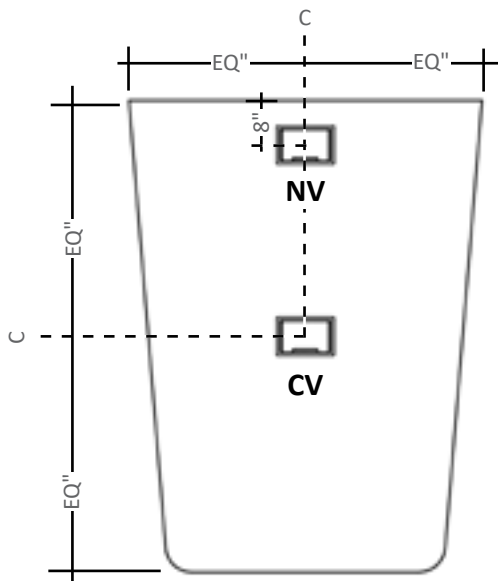
Table Top Width	Table Top Length	Seating Capacity
48" & 54"	60"	4-5
48" & 54"	66"	4-5
48" & 54"	72"	4-6
48" & 54"	78"	5-7
48" & 54"	84"	5-7
48" & 54"	90"	6-7
48" & 54"	96"	6-8
60"	60"	4-6
60"	66"	4-6
60"	72"	5-7
60"	78"	5-7
60"	84"	6-8
60"	90"	6-8
60"	96"	7-9



D-Shape Top

Table Top Width	Table Top Length	Seating Capacity
48" & 54"	60"	5-6
48" & 54"	66"	5-6
48" & 54"	72"	6-7
48" & 54"	78"	7-8
48" & 54"	84"	7-8
48" & 54"	90"	8-9
48" & 54"	96"	8-9
60"	60"	5-6
60"	66"	6-7
60"	72"	6-7
60"	78"	7-8
60"	84"	8-9
60"	90"	8-9
60"	96"	9-10

## Grommet Location

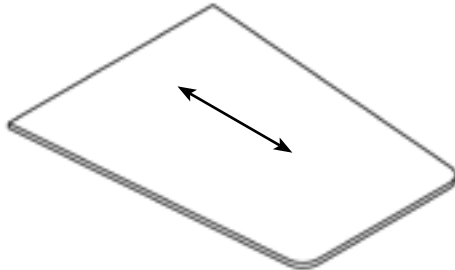


## Table Top Shapes

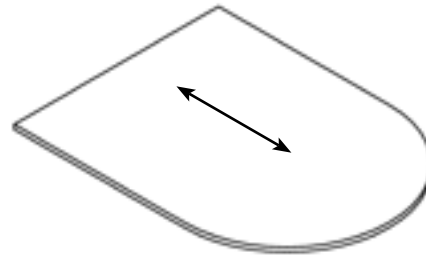
Narrative table tops are 1-1/8" thick with 45 pound industrial grade particle board core and are available in two shapes. Table tops are available in either TFL with 2MM PVC edge and HPL with 2MM PVC edge in the standard DeskMakers PVC colors.

### Grain Direction

All table tops for Narrative run long grain, grain running the length of the top.

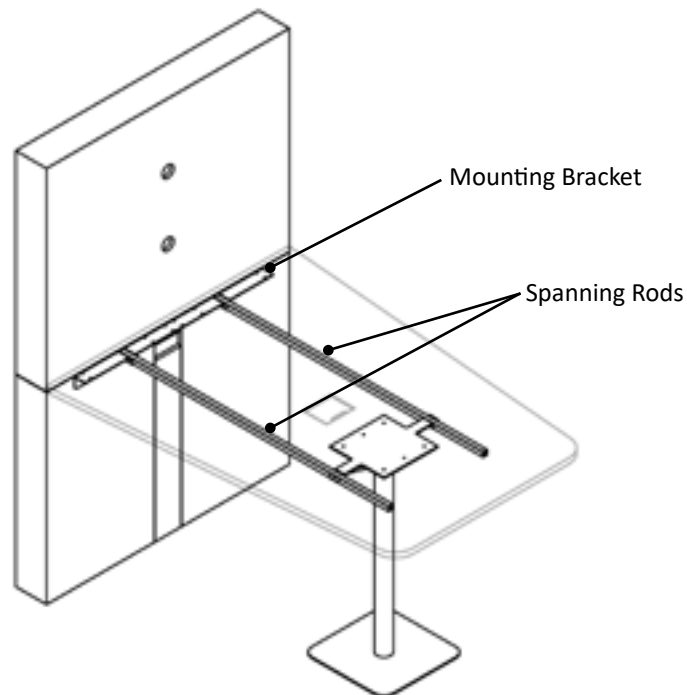


Tapered



D-Shape Top

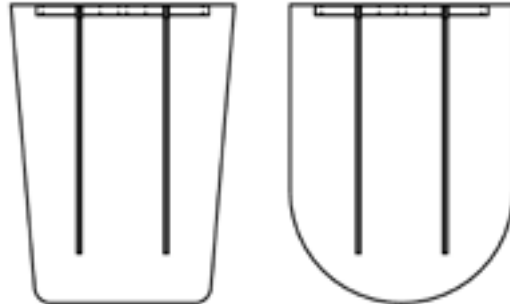
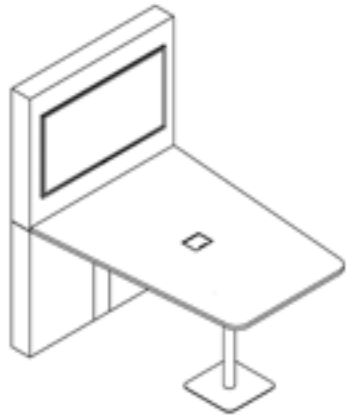
## Table Top Mounting Bracket



- Table tops mount to monitor walls, thin walls, structural walls and half walls with metal mounting brackets.
- Spanning rods connect the base to the wall to provide rigid structure for supporting the table top. The spanning rods also reduce the number of bases required.
- Attaching the bracket and spanning rods to the wall and base, allows the table top to be installed last, preventing the opportunity for damage.

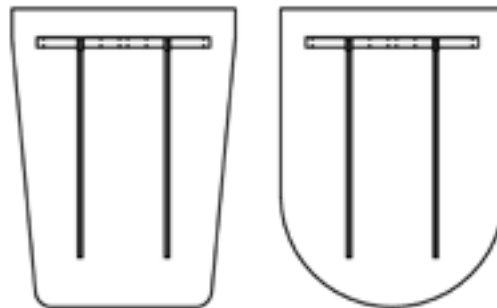
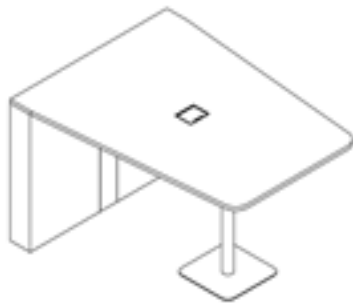
## Wall Mounted Table Tops

- Table top can be mounted to monitor walls, thin walls or structural walls.
- Spanning rods are 12" shorter than the table top length.



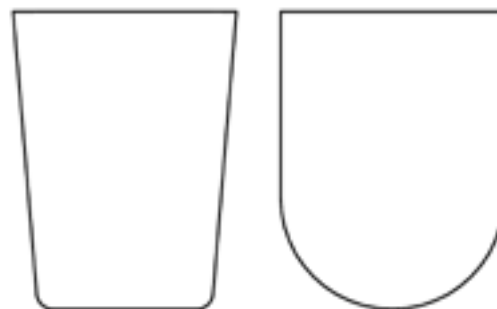
## Half Wall Table Tops

- Table top can be mounted to monitor half walls and thin half walls. Cannot be mounted to structural walls.
- Spanning rods are 19" shorter than the table top length.



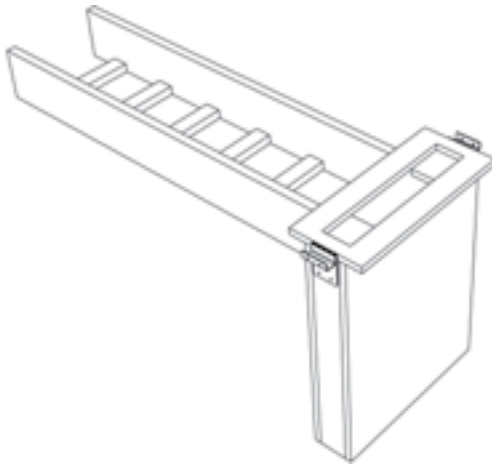
## Height Adjustable Table Tops

- Table top can only be mounted to height adjustable bases.
- Does not include spanning rods, height adjustable bases include j-rail support.

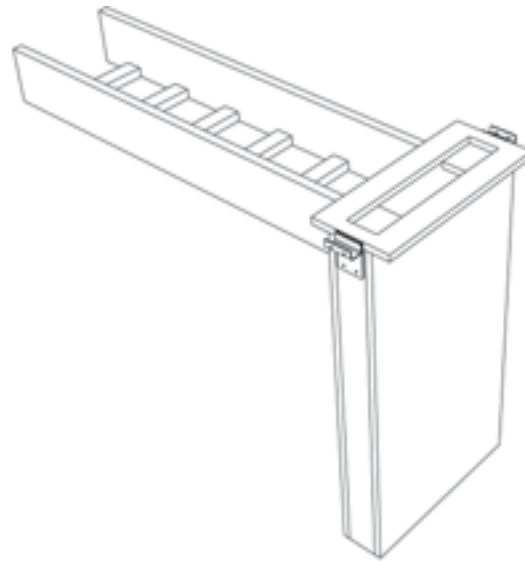


## Laminate Bases

## Stationary Laminate Bases



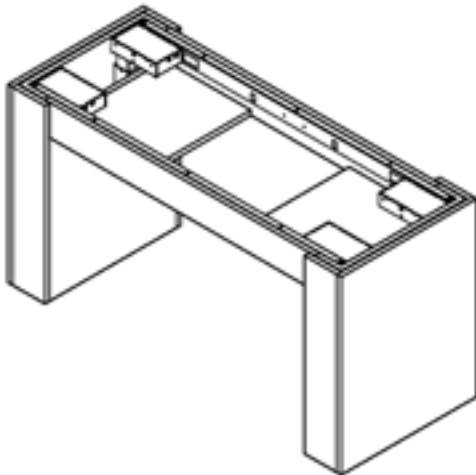
**Sitting Height**  
28-3/8" high



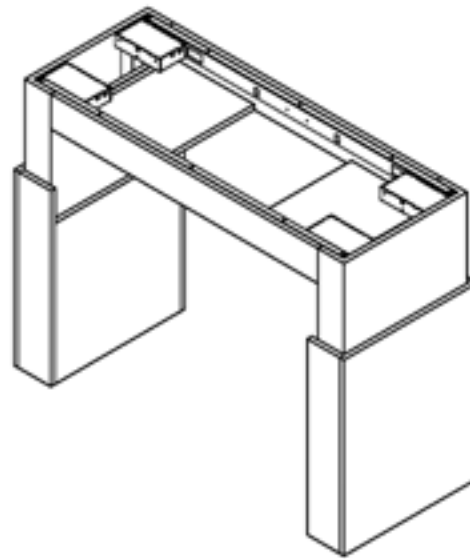
**Standing Height**  
40-3/8" high

- Constructed of 3/4" thick particle board, 5" deep x 21-1/4" wide.
- Includes wire management stretchers.
- Includes U-channels to secure spanning rods to base.
- Includes access door
- Includes installation hardware.
- Levelers will add 3/4" in height.

## Height Adjustable Bases



**Sitting Height**  
28-29" high

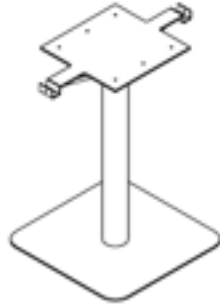


**Standing Height**  
41-43" high

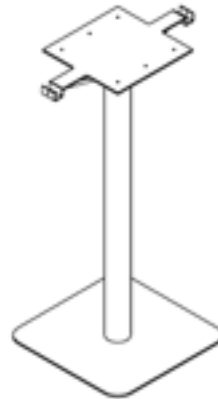
- Constructed of 3/4" thick particle board, 7-3/8" deep x 25" wide.
- Available in HPL only.
- Height adjustable range, 28" to 43".
- Mounts to the underside of the table top with J-Channels.
- Interior base shroud conceals electric lifting columns and wires.
- Includes access doors.
- Includes installation hardware.
- Levelers will add 3/4" in height.

## Metal Bases

### Metal Pedestal Bases



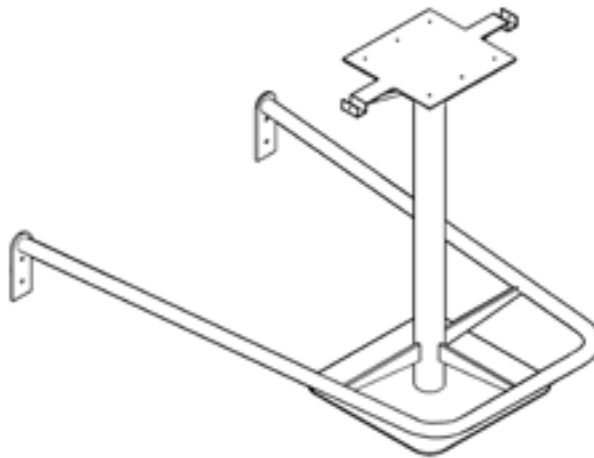
**Sitting Height**  
**28-3/8" high**



**Standing Height**  
**40-3/8" high**

- Welded steel construction.
- Silver powdercoat finish.
- 3" diameter column.
- Wires can be routed through base, grommet hole in the foot plate.
- Grommet access hole below top plate.
- Mounts to the underside of the table top with a fixed steel plate.
- Includes installation hardware.
- Levelers will add 3/4" in height.

### Metal Pedestal Standing Height Base with Foot Rail



**Standing Height**  
**40-3/8" high**

- Metal pedestal standing height base is standard metal pedestal base.
- Foot rail is 1-1/2" diameter steel tubing permanently affixed to pedestal base.
- Foot rail is 6" above floor.
- Mounts to the underside of the table top with a fixed steel plate.
- Foot rail mounts to face of monitor wall.
- Includes installation hardware.
- Levelers will add 3/4" in height.
- Not available in D-shape.

**Recessed Power and Data Unit with USB-A**

AC-DPGR-72

See Electrical Pricebook for more power options



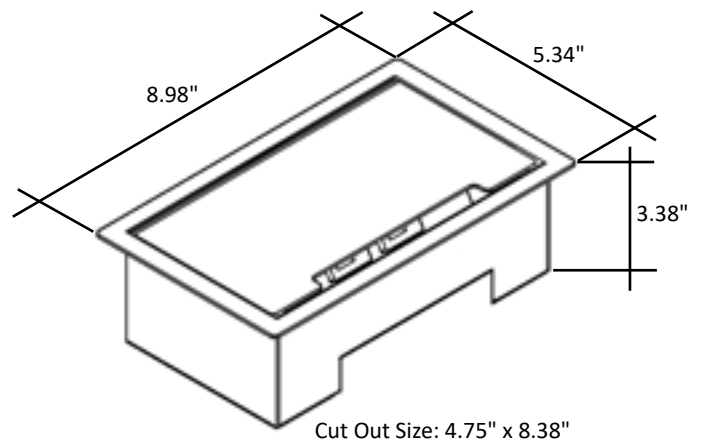
(image shown with interface plate - not included)

**Specifications**

- (2) power outlets
- (2) 2.1A USB charging ports
- (1) convenience outlet on bottom
- (1) cutout for interface plate (not included)
- (2) RJ-45 keystone knock outs (jacks not included)
- (2) Cord Pass Throughs
- 144" long 15amp plug cord
- Available finishes: Black, Silver, White and Brushed Aluminum
- Hardwire version available upon request

**For Use With:**

- Conference Tables including Scale 1:1 Collection
- Training Tables
- Parsons Tables (36" & 42" deep only)
- TeamWorx Worksurfaces
- Hover Worksurfaces



**Also Available with 4 Outlets, No Interface Plate**



Model Number	Color	Price
<b>two outlet version</b>		
AC-DPGR-72-BK	black	\$1,135
AC-DPGR-72-SM	silver	\$1,135
AC-DPGR-72-WT	white	\$1,135
AC-DPGR-72-ST	brushed aluminum	\$1,624
<b>four outlet version</b>		
AC-DPGR-84-BK	black	\$1,234
AC-DPGR-84-SM	silver	\$1,234
AC-DPGR-84-WT	white	\$1,234
AC-DPGR-84-ST	brushed aluminum	\$1,773



**Recessed Power with USB-C and Data Unit**

AC-DPGR-78

See Electrical Pricebook for more power options

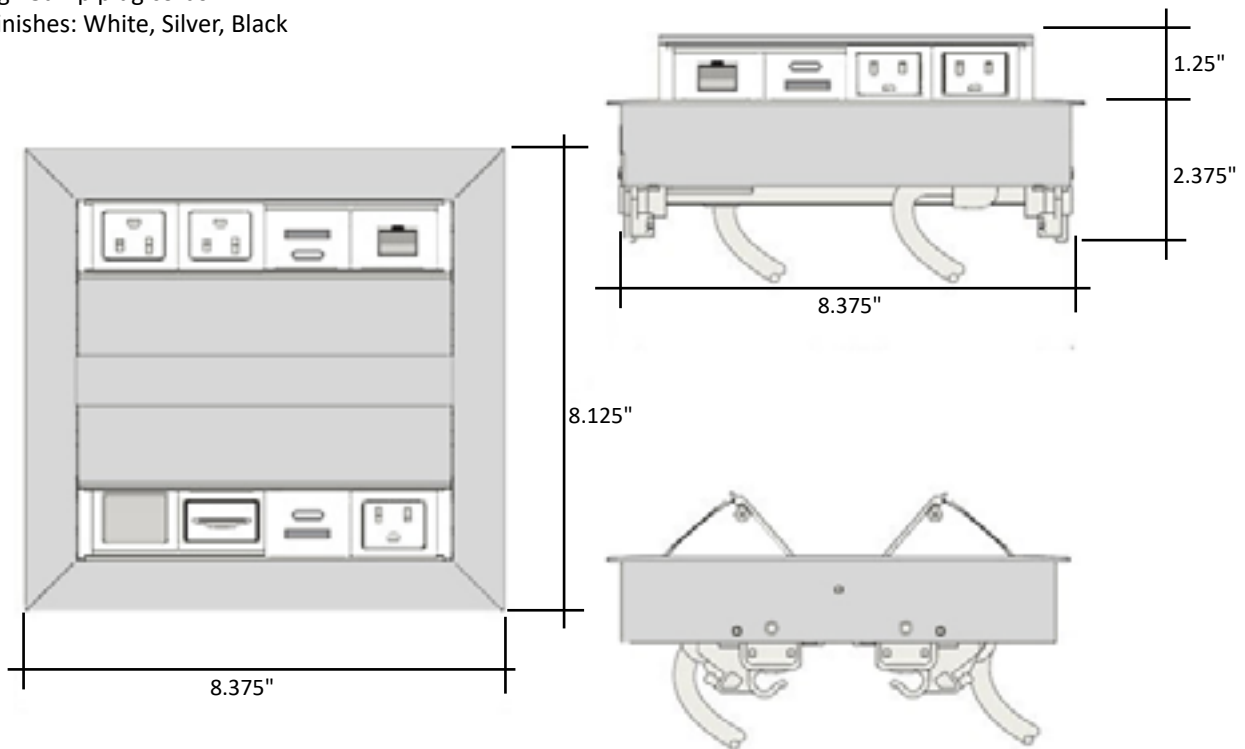


**Specifications**

- (3) power outlets
- (2) 2.1A USB charging ports
- (2) 45W C USB charging ports
- (1) RJ-45 Data port
- (1) HDMI port
- (2) 72" long 15amp plug cords
- Available finishes: White, Silver, Black

**For Use With:**

- Conference Tables including Scale 1:1 Collection
- Narrative Tables



Model Number	Color	Price
AC-DPGR-78-WT	white	\$1,944
AC-DPGR-78-SM	silver	\$1,944
AC-DPGR-78-BK	black	\$2,362

**Tapered Table Top**

For Use with Full Height Walls or Wall Mounted



Model Number	Depth	Length	Spanning Rod Length	TFL (T)	HPL w/PVC (H)
<b>48" Deep</b>					
NR-TPR1-4860-?	36-48	60	48	\$1,762	\$2,830
NR-TPR1-4866-?	36-48	66	54	\$1,866	\$2,998
NR-TPR1-4872-?	36-48	72	60	\$1,927	\$3,098
NR-TPR1-4878-?	36-48	78	66	\$1,989	\$3,196
NR-TPR1-4884-?	36-48	84	72	\$2,114	\$3,399
NR-TPR1-4890-?	36-48	90	78	\$2,177	\$3,498
NR-TPR1-4896-?	36-48	96	84	\$2,280	\$3,664
<b>54" Deep</b>					
NR-TPR1-5460-?	42-54	60	48	\$1,887	\$3,032
NR-TPR1-5466-?	42-54	66	54	\$1,997	\$3,207
NR-TPR1-5472-?	42-54	72	60	\$2,063	\$3,315
NR-TPR1-5478-?	42-54	78	66	\$2,129	\$3,424
NR-TPR1-5484-?	42-54	84	72	\$2,262	\$3,633
NR-TPR1-5490-?	42-54	90	78	\$2,326	\$3,740
NR-TPR1-5496-?	42-54	96	84	\$2,436	\$3,916
<b>60" Deep</b>					
NR-TPR1-6060-?	48-60	60	48	\$2,012	\$3,233
NR-TPR1-6066-?	48-60	66	54	\$2,126	\$3,417
NR-TPR1-6072-?	48-60	72	60	\$2,198	\$3,533
NR-TPR1-6078-?	48-60	78	66	\$2,271	\$3,649
NR-TPR1-6084-?	48-60	84	72	\$2,406	\$3,867
NR-TPR1-6090-?	48-60	90	78	\$2,479	\$3,983
NR-TPR1-6096-?	48-60	96	84	\$2,593	\$4,167

- TFL tops are only available with DeskMakers standard 2MM PVC edgebanding.
- HPL tops with PVC are only available with DeskMakers standard 2MM PVC edgebanding.

**D-Shape Table Top**

For Use with Full Height Walls or Wall Mounted



Model Number	Depth	Length	Spanning Rod Length	TFL (T)	HPL w/PVC (H)
<b>48" Deep</b>					
NR-DTP1-4860-?	48	60	48	\$1,467	\$2,359
NR-DTP1-4866-?	48	66	54	\$1,555	\$2,499
NR-DTP1-4872-?	48	72	60	\$1,607	\$2,583
NR-DTP1-4878-?	48	78	66	\$1,658	\$2,665
NR-DTP1-4884-?	48	84	72	\$1,762	\$2,833
NR-DTP1-4890-?	48	90	78	\$1,813	\$2,914
NR-DTP1-4896-?	48	96	84	\$1,902	\$3,054
<b>54" Deep</b>					
NR-DTP1-5460-?	54	60	48	\$1,572	\$2,527
NR-DTP1-5466-?	54	66	54	\$1,662	\$2,673
NR-DTP1-5472-?	54	72	60	\$1,720	\$2,764
NR-DTP1-5478-?	54	78	66	\$1,774	\$2,852
NR-DTP1-5484-?	54	84	72	\$1,884	\$3,027
NR-DTP1-5490-?	54	90	78	\$1,941	\$3,117
NR-DTP1-5496-?	54	96	84	\$2,031	\$3,264
<b>60" Deep</b>					
NR-DTP1-6060-?	60	60	48	\$1,677	\$2,694
NR-DTP1-6066-?	60	66	54	\$1,772	\$2,849
NR-DTP1-6072-?	60	72	60	\$1,833	\$2,944
NR-DTP1-6078-?	60	78	66	\$1,891	\$3,040
NR-DTP1-6084-?	60	84	72	\$2,006	\$3,224
NR-DTP1-6090-?	60	90	78	\$2,066	\$3,319
NR-DTP1-6096-?	60	96	84	\$2,161	\$3,474

- TFL tops are only available with DeskMakers standard 2MM PVC edgebanding.
- HPL tops with PVC are only available with DeskMakers standard 2MM PVC edgebanding.

**Tapered Table Top**

For Use with Half Height Walls



Model Number	Depth	Length	Spanning Rod Length	TFL (T)	HPL w/PVC (H)
<b>48" Deep</b>					
NR-TPR2-4860-?	36-48	60	48	\$1,697	\$2,728
NR-TPR2-4866-?	36-48	66	54	\$1,824	\$2,930
NR-TPR2-4872-?	36-48	72	60	\$1,885	\$3,028
NR-TPR2-4878-?	36-48	78	66	\$1,947	\$3,128
NR-TPR2-4884-?	36-48	84	72	\$2,051	\$3,296
NR-TPR2-4890-?	36-48	90	78	\$2,113	\$3,395
NR-TPR2-4896-?	36-48	96	84	\$2,238	\$3,598
<b>54" Deep</b>					
NR-TPR2-5460-?	42-54	60	48	\$1,824	\$2,930
NR-TPR2-5466-?	42-54	66	54	\$1,955	\$3,140
NR-TPR2-5472-?	42-54	72	60	\$2,021	\$3,246
NR-TPR2-5478-?	42-54	78	66	\$2,087	\$3,354
NR-TPR2-5484-?	42-54	84	72	\$2,197	\$3,530
NR-TPR2-5490-?	42-54	90	78	\$2,263	\$3,638
NR-TPR2-5496-?	42-54	96	84	\$2,394	\$3,848
<b>60" Deep</b>					
NR-TPR2-6060-?	48-60	60	48	\$1,949	\$3,132
NR-TPR2-6066-?	48-60	66	54	\$2,084	\$3,349
NR-TPR2-6072-?	48-60	72	60	\$2,156	\$3,466
NR-TPR2-6078-?	48-60	78	66	\$2,229	\$3,580
NR-TPR2-6084-?	48-60	84	72	\$2,343	\$3,766
NR-TPR2-6090-?	48-60	90	78	\$2,415	\$3,882
NR-TPR2-6096-?	48-60	96	84	\$2,551	\$4,100

- TFL tops are only available with DeskMakers standard 2MM PVC edgebanding.

- HPL tops with PVC are only available with DeskMakers standard 2MM PVC edgebanding.

**D-Shape Table Top**

For Use with Half Height Walls



Model Number	Depth	Length	Spanning Rod Length	TFL (T)	HPL w/PVC (H)
<b>48" Deep</b>					
NR-DTP2-4860-?	48	60	48	\$1,414	\$2,273
NR-DTP2-4866-?	48	66	54	\$1,519	\$2,441
NR-DTP2-4872-?	48	72	60	\$1,571	\$2,525
NR-DTP2-4878-?	48	78	66	\$1,622	\$2,607
NR-DTP2-4884-?	48	84	72	\$1,709	\$2,746
NR-DTP2-4890-?	48	90	78	\$1,760	\$2,828
NR-DTP2-4896-?	48	96	84	\$1,866	\$2,996
<b>54" Deep</b>					
NR-DTP2-5460-?	54	60	48	\$1,519	\$2,441
NR-DTP2-5466-?	54	66	54	\$1,629	\$2,615
NR-DTP2-5472-?	54	72	60	\$1,683	\$2,707
NR-DTP2-5478-?	54	78	66	\$1,739	\$2,796
NR-DTP2-5484-?	54	84	72	\$1,831	\$2,941
NR-DTP2-5490-?	54	90	78	\$1,885	\$3,032
NR-DTP2-5496-?	54	96	84	\$1,995	\$3,206
<b>60" Deep</b>					
NR-DTP2-6060-?	60	60	48	\$1,623	\$2,609
NR-DTP2-6066-?	60	66	54	\$1,736	\$2,793
NR-DTP2-6072-?	60	72	60	\$1,796	\$2,888
NR-DTP2-6078-?	60	78	66	\$1,857	\$2,983
NR-DTP2-6084-?	60	84	72	\$1,953	\$3,138
NR-DTP2-6090-?	60	90	78	\$2,012	\$3,233
NR-DTP2-6096-?	60	96	84	\$2,125	\$3,415

- TFL tops are only available with DeskMakers standard 2MM PVC edgebanding.
- HPL tops with PVC are only available with DeskMakers standard 2MM PVC edgebanding.

**Tapered Table Top**

For Use with Height Adjustable Bases

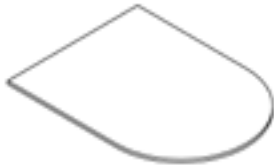


Model Number	Depth	Length	TFL (T)	HPL w/PVC (H)
<b>48" Deep</b>				
NR-TPR3-4860-?	36-48	60	\$1,271	\$2,044
NR-TPR3-4866-?	36-48	66	\$1,333	\$2,143
NR-TPR3-4872-?	36-48	72	\$1,396	\$2,241
NR-TPR3-4878-?	36-48	78	\$1,456	\$2,341
NR-TPR3-4884-?	36-48	84	\$1,518	\$2,439
NR-TPR3-4890-?	36-48	90	\$1,580	\$2,539
NR-TPR3-4896-?	36-48	96	\$1,641	\$2,638
<b>54" Deep</b>				
NR-TPR3-5460-?	42-54	60	\$1,343	\$2,159
NR-TPR3-5466-?	42-54	66	\$1,411	\$2,267
NR-TPR3-5472-?	42-54	72	\$1,477	\$2,375
NR-TPR3-5478-?	42-54	78	\$1,543	\$2,481
NR-TPR3-5484-?	42-54	84	\$1,611	\$2,589
NR-TPR3-5490-?	42-54	90	\$1,677	\$2,696
NR-TPR3-5496-?	42-54	96	\$1,745	\$2,804
<b>60" Deep</b>				
NR-TPR3-6060-?	48-60	60	\$1,415	\$2,275
NR-TPR3-6066-?	48-60	66	\$1,488	\$2,391
NR-TPR3-6072-?	48-60	72	\$1,560	\$2,507
NR-TPR3-6078-?	48-60	78	\$1,632	\$2,623
NR-TPR3-6084-?	48-60	84	\$1,705	\$2,736
NR-TPR3-6090-?	48-60	90	\$1,775	\$2,852
NR-TPR3-6096-?	48-60	96	\$1,848	\$2,969

- TFL tops are only available with DeskMakers standard 2MM PVC edgebanding.
- HPL tops with PVC are only available with DeskMakers standard 2MM PVC edgebanding.

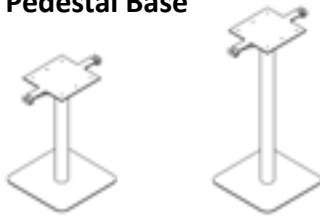
**D-Shape Table Top**

For Use with Height Adjustable Bases



Model Number	Depth	Length	TFL (T)	HPL w/PVC (H)
<b>48" Deep</b>				
NR-DTP3-4860-?	48	60	\$1,060	\$1,704
NR-DTP3-4866-?	48	66	\$1,110	\$1,786
NR-DTP3-4872-?	48	72	\$1,162	\$1,868
NR-DTP3-4878-?	48	78	\$1,214	\$1,952
NR-DTP3-4884-?	48	84	\$1,265	\$2,033
NR-DTP3-4890-?	48	90	\$1,318	\$2,115
NR-DTP3-4896-?	48	96	\$1,367	\$2,197
<b>54" Deep</b>				
NR-DTP3-5460-?	54	60	\$1,120	\$1,799
NR-DTP3-5466-?	54	66	\$1,175	\$1,889
NR-DTP3-5472-?	54	72	\$1,230	\$1,978
NR-DTP3-5478-?	54	78	\$1,287	\$2,067
NR-DTP3-5484-?	54	84	\$1,342	\$2,157
NR-DTP3-5490-?	54	90	\$1,399	\$2,247
NR-DTP3-5496-?	54	96	\$1,453	\$2,336
<b>60" Deep</b>				
NR-DTP3-6060-?	60	60	\$1,179	\$1,896
NR-DTP3-6066-?	60	66	\$1,239	\$1,991
NR-DTP3-6072-?	60	72	\$1,300	\$2,089
NR-DTP3-6078-?	60	78	\$1,360	\$2,184
NR-DTP3-6084-?	60	84	\$1,418	\$2,281
NR-DTP3-6090-?	60	90	\$1,480	\$2,378
NR-DTP3-6096-?	60	96	\$1,539	\$2,473

- TFL tops are only available with DeskMakers standard 2MM PVC edgebanding.
- HPL tops with PVC are only available with DeskMakers standard 2MM PVC edgebanding.

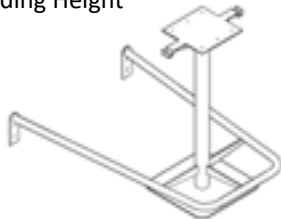
**Metal Pedestal Base**

Model Number	Base Height	Price
<b>Sitting Height</b>		
NR-SDSK-01-SV	28-3/8	\$1,849
<b>Standing Height</b>		
NR-SDSK-05-SV	40-3/8	\$2,221

- May only be used on table tops with spanning rods. Cannot be used with height adjustable table tops.
- Welded steel with silver powdercoat finish.
- Base has grommet access hole at top of column to route wires through base.
- Includes levelers. Levelers will add 3/4" in height.

**Metal Pedestal Base with Foot Rail**

Standing Height

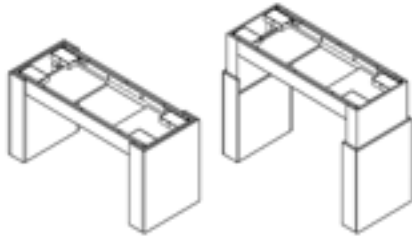


Model Number	Table Top Depth	Table Top Length	Base Height	Price
<b>48" and 54" Deep Tapered Table Tops</b>				
NR-RPSR-4860	48/54	60	40-3/8	\$5,180
NR-RPSR-4866	48/54	66	40-3/8	\$5,365
NR-RPSR-4872	48/54	72	40-3/8	\$5,550
NR-RPSR-4878	48/54	78	40-3/8	\$5,734
NR-RPSR-4884	48/54	84	40-3/8	\$5,919
NR-RPSR-4890	48/54	90	40-3/8	\$6,106
NR-RPSR-4896	48/54	96	40-3/8	\$6,290
<b>60" Deep Tapered Table Tops</b>				
NR-RPSR-6060	60	60	40-3/8	\$6,475
NR-RPSR-6066	60	66	40-3/8	\$6,660
NR-RPSR-6072	60	72	40-3/8	\$6,845
NR-RPSR-6078	60	78	40-3/8	\$7,031
NR-RPSR-6084	60	84	40-3/8	\$7,214
NR-RPSR-6090	60	90	40-3/8	\$7,400
NR-RPSR-6096	60	96	40-3/8	\$7,586

- May only be used on table tops with spanning rods. Cannot be used with height adjustable table tops.
- Welded steel with silver powdercoat finish.
- Base has grommet access hole at top of column to route wires through base.
- Includes levelers. Levelers will add 3/4" in height.



## Laminate Height Adjustable Base



Model Number	Table Top Length	Base Width	Base Depth	HPL
NR-HAPN-60-H	60	25	7 3/8	\$7,861
NR-HAPN-66-H	66	25	7 3/8	\$7,901
NR-HAPN-72-H	72	25	7 3/8	\$7,941
NR-HAPN-78-H	78	25	7 3/8	\$7,982
NR-HAPN-84-H	84	25	7 3/8	\$8,022
NR-HAPN-90-H	90	25	7 3/8	\$8,062
NR-HAPN-96-H	96	25	7 3/8	\$8,103

- May only be used on table tops without spanning rods and wall attachment hardware - NR-TPR3 or NR-DTP3.
- Base has interior channel to route wires through base.
- Includes access doors.
- Bases ship unassembled.
- Includes leveling glides.

**Laminate Base with Stetcher Trough**

Sitting Height



Model Number	Base Width	Base Depth	Base Height	Stretcher Length	TFL (T)	HPL (H)
<b>Sitting Height</b>						
NR-BPNL-2860-?	21-1/4	5	28-3/8	37	\$899	\$1,942
NR-BPNL-2866-?	21-1/4	5	28-3/8	43	\$917	\$1,963
NR-BPNL-2872-?	21-1/4	5	28-3/8	49	\$929	\$1,975
NR-BPNL-2878-?	21-1/4	5	28-3/8	55	\$947	\$1,996
NR-BPNL-2884-?	21-1/4	5	28-3/8	61	\$962	\$2,010
NR-BPNL-2890-?	21-1/4	5	28-3/8	67	\$982	\$2,031
NR-BPNL-2896-?	21-1/4	5	28-3/8	73	\$994	\$2,046

- May only be used on table tops with spanning rods. Cannot be used with height adjustable table tops.
- Base has interior channel to route wires through base.
- Includes access door.
- Includes leveling glides.

**Laminate Base with Stetcher Trough**

Standing Height

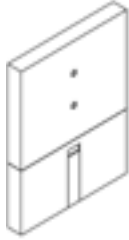


Model Number	Base Width	Base Depth	Base Height	Stretcher Length	TFL (T)	HPL (H)
<b>Standing Height</b>						
NR-BPNL-4160-?	21-1/4	5	40-3/8	37	\$1,019	\$2,268
NR-BPNL-4166-?	21-1/4	5	40-3/8	43	\$1,039	\$2,289
NR-BPNL-4172-?	21-1/4	5	40-3/8	49	\$1,050	\$2,301
NR-BPNL-4178-?	21-1/4	5	40-3/8	55	\$1,068	\$2,320
NR-BPNL-4184-?	21-1/4	5	40-3/8	61	\$1,083	\$2,336
NR-BPNL-4190-?	21-1/4	5	40-3/8	67	\$1,102	\$2,357
NR-BPNL-4196-?	21-1/4	5	40-3/8	73	\$1,114	\$2,372

- May only be used on table tops with spanning rods. Cannot be used with height adjustable table tops.
- Base has interior channel to route wires through base.
- Includes access door.
- Includes leveling glides.

**Monitor Wall**

Sitting Height

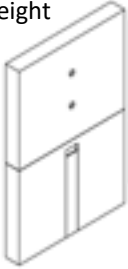


Model Number	Wall Width	Wall Depth	Wall Height	HPL
NR-MWFH-4872-H	48	6 7/8	72	\$8,727
NR-MWFH-5472-H	54	6 7/8	72	\$9,296
NR-MWFH-6072-H	60	6 7/8	72	\$9,864

- Constructed of plywood and particle board. Center of wall is hollow to allow routing of wires.
- Finished on both sides. Only available in HPL.
- Must have a table unit secured to wall, can not be used as a freestanding wall.
- Monitors can be mounted on both sides of wall. A whiteboard can be mounted to back side.
- Wall ships in two pieces.
- Removable access panels and grommets.
- Levelers.

### Monitor Wall

Standing Height

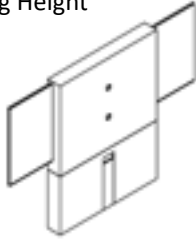


Model Number	Wall Width	Wall Depth	Wall Height	HPL
NR-MWFH-4884-H	48	6 7/8	84	\$8,861
NR-MWFH-5484-H	54	6 7/8	84	\$9,445
NR-MWFH-6084-H	60	6 7/8	84	\$10,029

- Constructed of plywood and particle board. Center of wall is hollow to allow routing of wires.
- Finished on both sides. Only available in HPL.
- Must have a table unit secured to wall, can not be used as a freestanding wall.
- Monitors can be mounted on both sides of wall. A whiteboard can be mounted to back side.
- Wall ships in two pieces.
- Removable access panels and grommets.
- Levelers.
- Slide-out whiteboards are 18" wide x 36" high on all monitor walls.

**Monitor Wall with Slide-Out Whiteboards**

Sitting Height

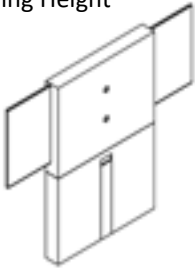


Model Number	Wall Width	Wall Depth	Wall Height	HPL
NR-MWWB-4872-H	48	6 7/8	72	\$11,950
NR-MWWB-5472-H	54	6 7/8	72	\$12,520
NR-MWWB-6072-H	60	6 7/8	72	\$13,089

- Constructed of plywood and particle board. Center of wall is hollow to allow routing of wires.
- Finished on both sides. Only available in HPL.
- Must have a table unit secured to wall, can not be used as a freestanding wall.
- Monitors can be mounted on both sides of wall. A whiteboard can be mounted to back side.
- Wall ships in two pieces.
- Removable access panels and grommets.
- Levelers.
- Slide-out whiteboards are 18" wide x 36" high on all monitor walls.

**Monitor Wall with Slide-Out Whiteboards**

Standing Height

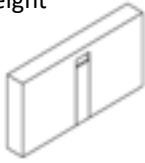


Model Number	Wall Width	Wall Depth	Wall Height	HPL
NR-MWWB-4884-H	48	6 7/8	84	\$12,084
NR-MWWB-5484-H	54	6 7/8	84	\$12,668
NR-MWWB-6084-H	60	6 7/8	84	\$13,252

- Constructed of plywood and particle board. Center of wall is hollow to allow routing of wires.
- Finished on both sides. Only available in HPL.
- Must have a table unit secured to wall, can not be used as a freestanding wall.
- Monitors can be mounted on both sides of wall. A whiteboard can be mounted to back side.
- Wall ships in two pieces.
- Removable access panels and grommets.
- Levelers.
- Slide-out whiteboards are 18" wide x 36" high on all monitor walls.

**Monitor Wall - Half Height**

Sitting Height

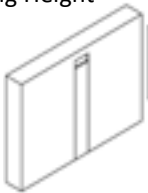


Model Number	Wall Width	Wall Depth	Wall Height	HPL
NR-MWHH-4828-H	48	6 7/8	28-3/8	\$4,634
NR-MWHH-5428-H	54	6 7/8	28-3/8	\$4,703
NR-MWHH-6028-H	60	6 7/8	28-3/8	\$4,755

- Constructed of plywood and particle board. Center of wall is hollow to allow routing of wires.
- Finished on both sides. Only available in HPL.
- Must have a table unit secured to wall, can not be used as a freestanding wall.
- Removable access panels and grommets.
- Levelers.

**Monitor Wall- Half Height**

Standing Height



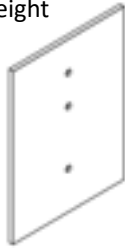
Model Number	Wall Width	Wall Depth	Wall Height	HPL
NR-MWHH-4841-H	48	6 7/8	40-3/8	\$4,769
NR-MWHH-5441-H	54	6 7/8	40-3/8	\$5,418
NR-MWHH-6041-H	60	6 7/8	40-3/8	\$5,847

- Constructed of plywood and particle board. Center of wall is hollow to allow routing of wires.
- Finished on both sides. Only available in HPL.
- Must have a table unit secured to wall, can not be used as a freestanding wall.
- Removable access panels and grommets.
- Levelers.



### Thin Wall

Sitting Height



Model Number	Wall Width	Wall Depth	Wall Height	TFL	HPL
NR-TWFH-4872-?	48	1 7/8	72	\$2,036	\$3,272
NR-TWFH-5472-?	54	1 7/8	72	\$2,081	\$3,346
NR-TWFH-6072-?	60	1 7/8	72	\$2,128	\$3,420

- Monitor walls are constructed of plywood and particle board. Center of wall has a cavity to allow routing of wires.
- Unfinished on back side.
- Available in TFL or HPL with 2MM PVC edges. PVC only available with DeskMakers standard colors.
- Must be mounted on structural wall. Must have a table unit secured to wall, can not be used as a freestanding wall.
- Wall ships in one piece.
- 2-1/2" plastic grommets for wire routing.
- Levelers.

### Thin Wall

Standing Height

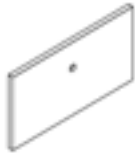


Model Number	Wall Width	Wall Depth	Wall Height	TFL	HPL
NR-TWFH-4884-?	48	1 7/8	84	\$2,099	\$3,372
NR-TWFH-5484-?	54	1 7/8	84	\$2,152	\$3,457
NR-TWFH-6084-?	60	1 7/8	84	\$2,205	\$3,541

- Monitor walls are constructed of plywood and particle board. Center of wall has a cavity to allow routing of wires.
- Unfinished on back side.
- Available in TFL or HPL with 2MM PVC edges. PVC only available with DeskMakers standard colors.
- Must be mounted on structural wall. Must have a table unit secured to wall, can not be used as a freestanding wall.
- Wall ships in one piece.
- 2-1/2" plastic grommets for wire routing.
- Levelers.

**Thin Wall - Half Height**

Sitting Height

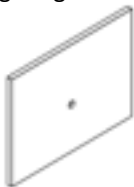


Model Number	Wall Width	Wall Depth	Wall Height	TFL	HPL
NR-TWHH-4828-?	48	1 7/8	28-3/8	\$1,221	\$1,963
NR-TWHH-5428-?	54	1 7/8	28-3/8	\$1,250	\$2,007
NR-TWHH-6028-?	60	1 7/8	28-3/8	\$1,277	\$2,052

- Monitor walls are constructed of plywood and particle board. Center of wall has a cavity to allow routing of wires.
- Unfinished on back side.
- Available in TFL or HPL with 2MM PVC edges. PVC only available with DeskMakers standard colors.
- Must be mounted on structural wall. Must have a table unit secured to wall, can not be used as a freestanding wall.
- Wall ships in one piece.
- 2-1/2" plastic grommets for wire routing.
- Levelers.

**Thin Wall - Half Height**

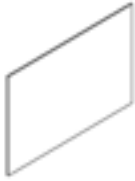
Standing Height



Model Number	Wall Width	Wall Depth	Wall Height	TFL	HPL
NR-TWHH-4841-?	48	1 7/8	40-3/8	\$1,259	\$2,023
NR-TWHH-5441-?	54	1 7/8	40-3/8	\$1,290	\$2,075
NR-TWHH-6041-?	60	1 7/8	40-3/8	\$1,324	\$2,126

- Monitor walls are constructed of plywood and particle board. Center of wall has a cavity to allow routing of wires.
- Unfinished on back side.
- Available in TFL or HPL with 2MM PVC edges. PVC only available with DeskMakers standard colors.
- Must be mounted on structural wall. Must have a table unit secured to wall, can not be used as a freestanding wall.
- Wall ships in one piece.
- 2-1/2" plastic grommets for wire routing.
- Levelers.

### Wall Mounted Whiteboard



Model Number	Width	Depth	Height	Non-Magnetic Whiteboard (H)
NR-WTBD-4642-?	46	3/4	42	\$1,250
NR-WTBD-5242-?	52	3/4	42	\$1,404
NR-WTBD-5842-?	58	3/4	42	\$1,554

- Wall mounted whiteboards are 3/4" thick with white 2MM PVC edges.
- Whiteboards are cut exact to size.
- Mounts to walls using metal Z-clips.

Please visit [Deskmakers.com](https://deskmakers.com) to view our current **Terms and Conditions**.

Please visit [Deskmakers.com](https://deskmakers.com) to view our current **Warranty**.

## Showroom Locations

### Los Angeles

DeskMakers Headquarters  
6525 Flotilla Street  
Commerce, CA 90040

### Chicago

The Merchandise Mart  
Suite 10-154  
Chicago, IL 60654

---

# DeskMakers

Phone: 323.264.2260 | Fax: 323.725.6960  
[www.deskmakers.com](http://www.deskmakers.com)