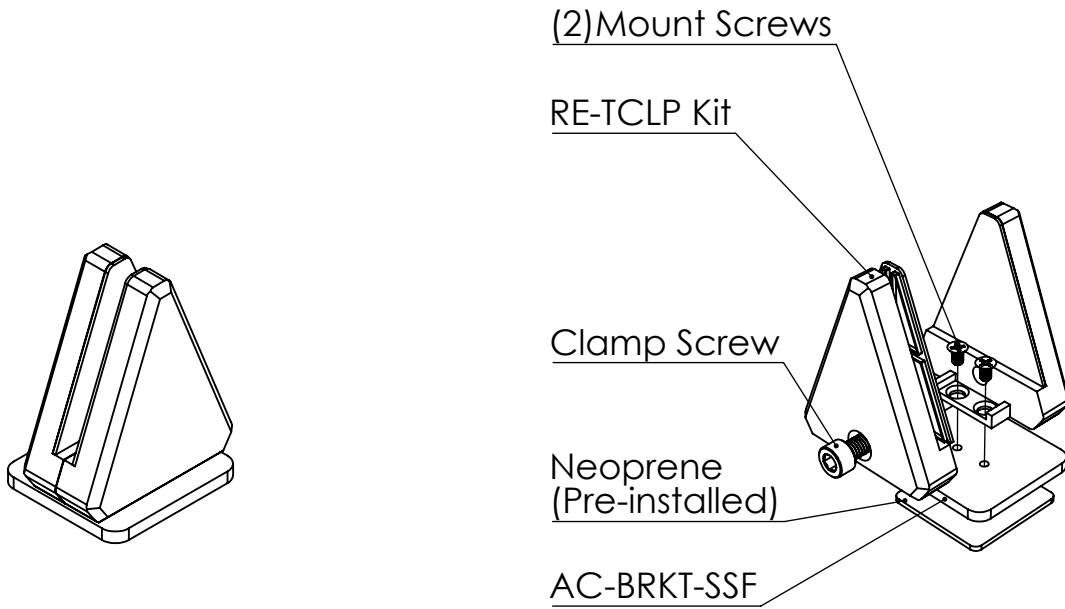


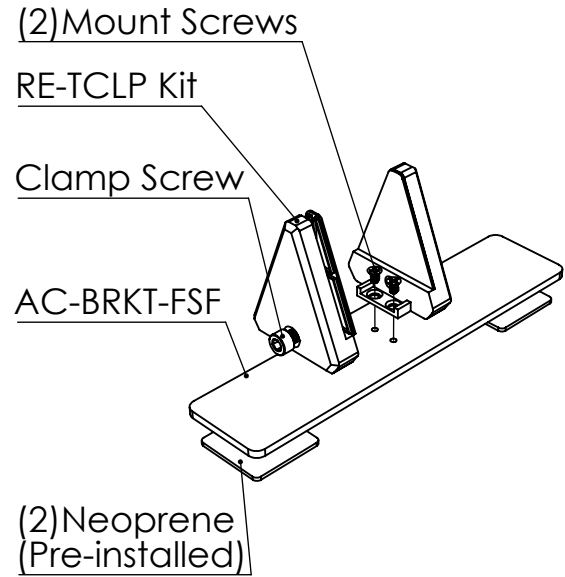
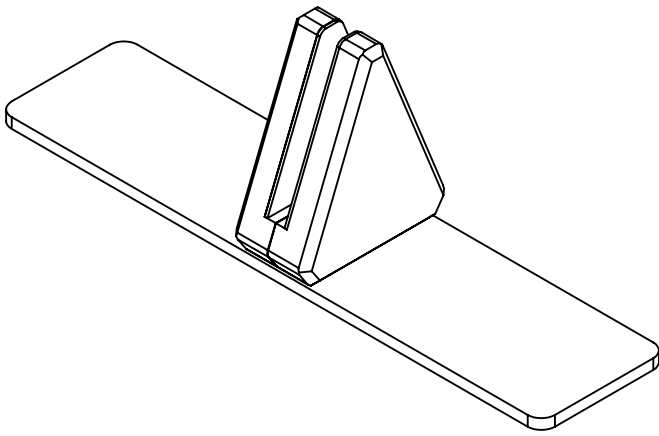


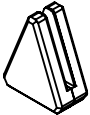
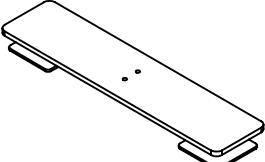
Packing List:



QTY	Item	Description	SKU
x1		RE-TCLP Kit (Packed separately) *See separate packing list	RE-TCLP-(SV) -(BK) -(WT)
x1		Small Foot (Neoprene Pre-Installed) 1.5x1.5x1/16	AC-BRKT-SSF(S) (B) (W)

Packing List:

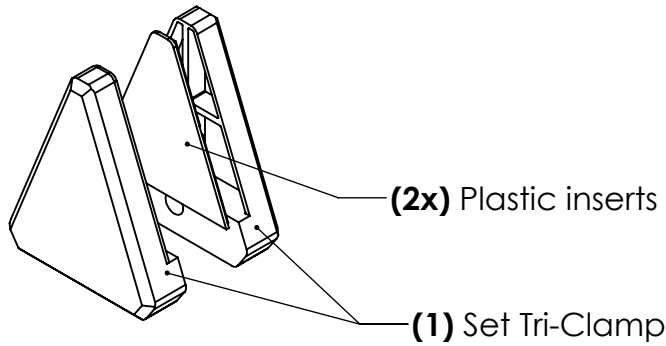


QTY	Item	Description	Sku
x1		RE-TCLP Kit (Packed separately) *See separate packing list	RE-TCLP-(SV) -(WT) -(BK)
x1		Freestanding Foot (Neoprene Pre-Installed) 1.5x1.5x1/16	AC-BRKT-FSF(S) (W) (B)

Packing List:

RE-TCLP-(?)
ITEM IS TO BE KITTED AS SHOWN

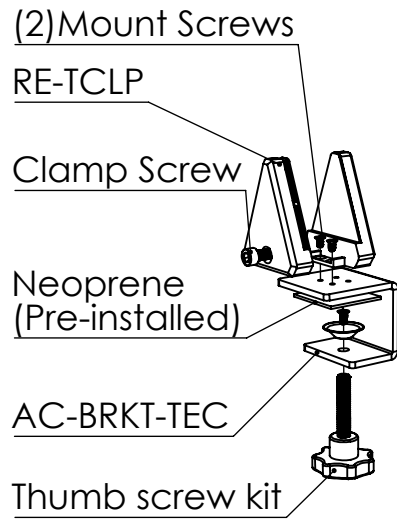
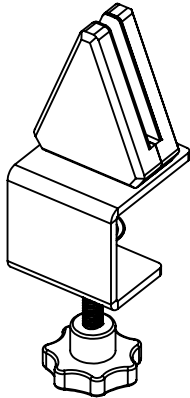
RELATED SKU'S
RE-TCLP-BK
RE-TCLP-WT
RE-TCLP-SV



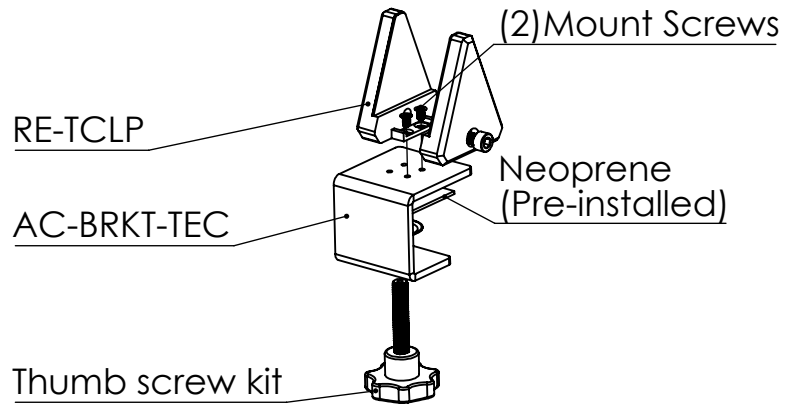
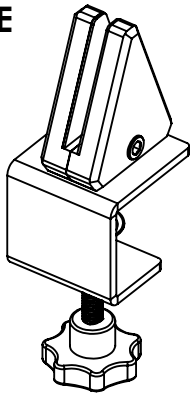
QTY	Item	Description
x2		Plastic inserts
x1		Tri-clip Part A&B Sku: RE-TCLP-(SV) -(BK) -(WT)
x2		Wood screw: Number 6 Size, 1 in Long USE FOR MOUNTING TRI-CLAMP DIRECTLY TO WOOD SURFACE
x2		M3.5 x 0.6 mm Thread, 6 mm Long USE TO MOUNT TRI-CLAMP TO DESKMAKERS SUPPORT BRACKETS
x1		12MM Socket Head Screw M6 x 1 mm Thread <u>USED TO INSTALL 1/4" THICK PANELS</u>
x1		16MM socket Head Screw M6 x 1 mm Thread <u>USED TO INSTALL 3/8" THICK PANELS</u>
x1		25mm Socket Head Screw M6 x 1 mm Thread <u>USED TO INSTALL 3/4" THICK PANELS</u>

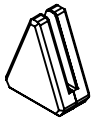
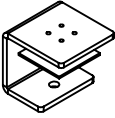

Packing List:

RE-TCCF



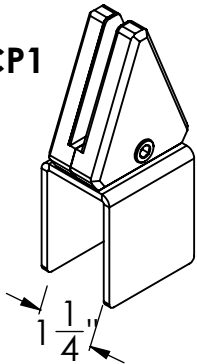
RE-TCCE



QTY	Item	Description	SKU
x1		RE-TCLP Kit (Packed separately) *See separate packing list	RE-TCLP-(SV) -(BK) -(WT)
x1		C-Clamp (Neoprene pre-installed) 1.5x1.5x1/16	AC-BRKT-TEC(S) (B) (W)
x1		Thumb Screw Kit (Packed Separately 3 parts)	

Packing List:

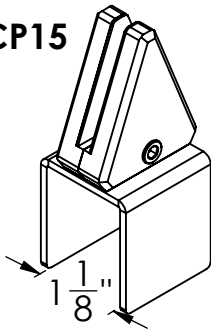
RE-TCP1



RE-TCP1

QTY	Item	Description	Sku
X1		RE-TCLP Kit (Packed separately) *See separate packing list	RE-TCLP-(SV) -(WT) -(BK)
X1		TCP Saddle (Neoprene pre-installed) 1.5x1x1/16	RE-TCP1-(SV) -(WT) -(BK)
X4		X2 1.5X1.5X1/8 X2 1.5X1.5X1/16 *Shipped Loose	

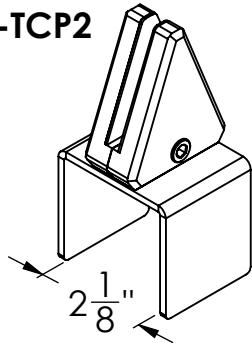
RE-TCP15



RE-TCP1.5

QTY	Item	Description	Sku
X1		RE-TCLP Kit (Packed separately) *See separate packing list	RE-TCLP-(SV) -(WT) -(BK)
X1		TCP Saddle (Neoprene pre-installed) 1.5x1.5x1/16	RE-TCP15-(SV) -(WT) -(BK)
X4		X2 1.5X1.5X1/8 X2 1.5X1.5X1/16 *Shipped Loose	

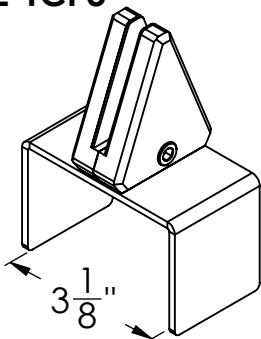
RE-TCP2



RE-TCP2

QTY	Item	Description	Sku
X1		RE-TCLP Kit (Packed separately) *See separate packing list	RE-TCLP-(SV) -(WT) -(BK)
X1		TCP Saddle (Neoprene pre-installed) 1.5x1.5x1/16	RE-TCP2-(SV) -(WT) -(BK)
X4		X2 1.5X1.5X1/8 X2 1.5X1.5X1/16 *Shipped Loose	

RE-TCP3



RE-TCP3

QTY	Item	Description	Sku
X1		RE-TCLP Kit (Packed separately) *See separate packing list	RE-TCLP-(SV) -(WT) -(BK)
X1		TCP Saddle (Neoprene pre installed) 1.5x1.5x1/16	RE-TCP3-(SV) -(WT) -(BK)
X4		X2 1.5X1.5X1/8 X2 1.5X1.5X1/16 *Shipped Loose	

