



synapse

PRICE & SPECIFICATION GUIDE

Version: 05.03.24

DeskMakers

revisions

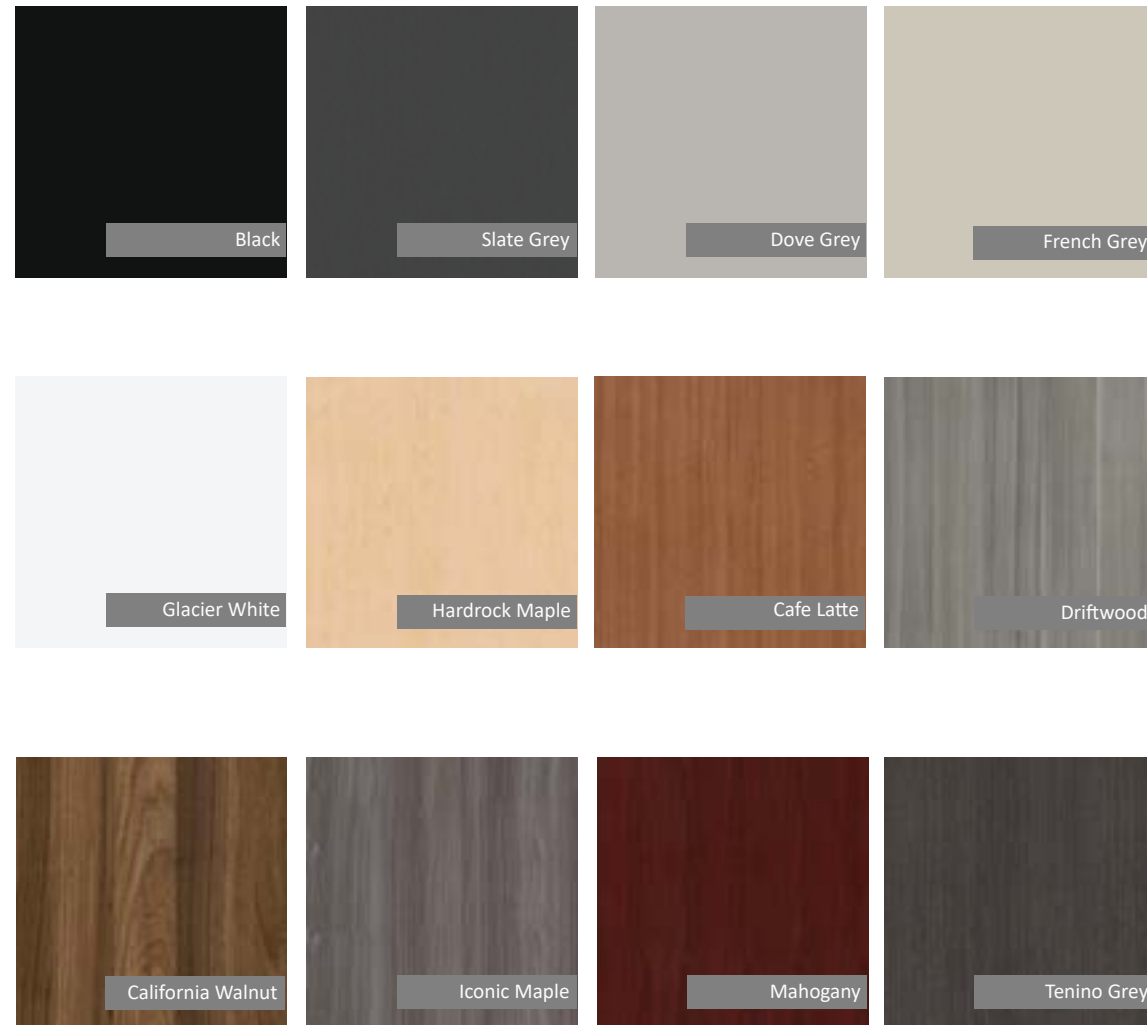
04/30/19	Changed cushion sizes
06/01/19	Price increase applied
06/26/19	Price adjustments and corrections
10/24/19	Updated finishes and layout
03/09/20	Added additional information to slide on privacy panels
03/18/20	Updated electrical page 19
01/01/21	Updated finishes and pricing
01/29/21	Corrected pricing on center beams
09/01/21	Updated finishes
12/20/21	Updated pricing and finishes
03/31/22	Updated select pricing and skus
08/18/22	Added surcharge note
12/01/22	Updated pricing
10/18/23	Updated finishes
03/15/24	Updated pricing
05/03/24	Corrected pricing on storage

table of contents

Laminates	4-6
Pulls	7
Product Details	8-19
Worksurfaces	20-23
Center Beams	24-27
Support Legs	28-32
Worksurface Connecting Brackets	33
Spanning Rods	34-40
Wire Management Baskets	41
Storage Cabinets	42-51
Storage Cubbies	52-53
Personal Storage Towers	54
Accessories	55
Cushions	56
Fabric	57
Terms and Conditions	58
Warranty	59

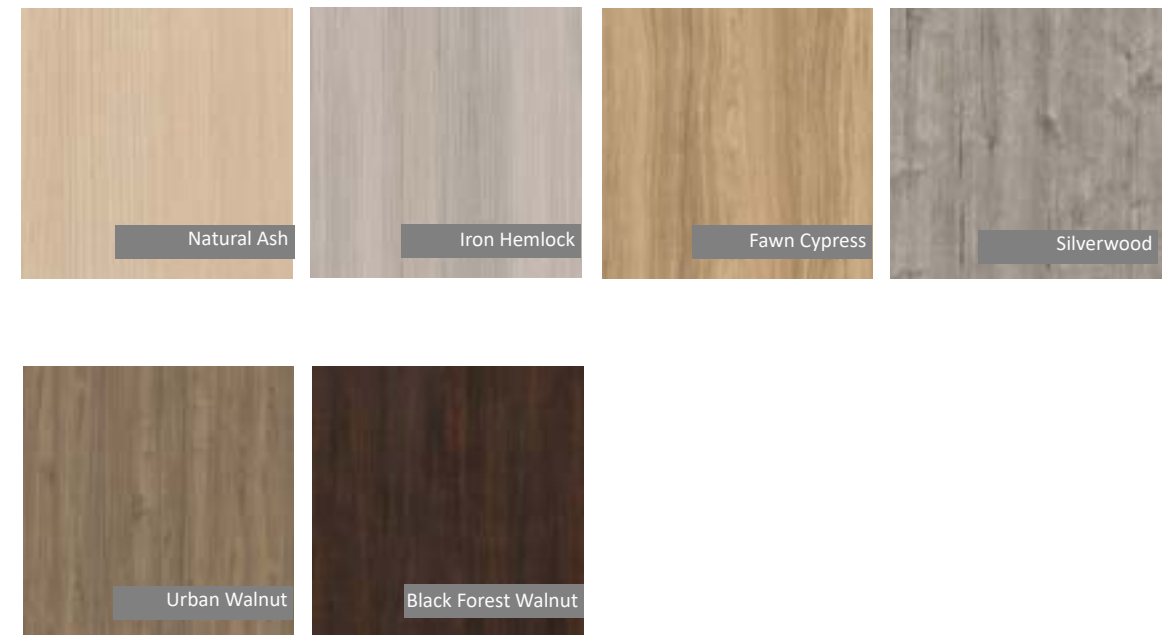
laminate finishes

standard thermofuse laminate (TFL)



Matching 2MM PVC edgebanding is available for all Standard TFL finishes shown here.
For HPL match information please visit deskmakers.com/resources/materials

premium thermofuse laminate (TFL)



Premium TFLs require a 10% upcharge. Add item code OP-TTFL-1.
Matching 2MM PVC edgebanding is available for all Premium TFL finishes shown here.
For HPL match information please visit deskmakers.com/resources/materials

laminates finishes

high pressure laminate (HPL)

Pricing shown in this price list applies only to non-premium HPLs as follows:

- Wilsonart: Solids, Woodgrains, and Abstracts in Matte (-60) finish,
- Formica: Color Portfolio, Woodgrains, and Patterns in Matte (-58) finish
- Pionite: Solids, Woodgrains, and Abstracts in Suede (N) finish
- Arborite: Solids, Woodgrains, Textures and Abstracts in Matte (CA) finish
- Nevamar: Solids, Woodgrains, Stones and Abstracts in ARP (-T) finish

A minimum charge of \$520 net per HPL color will be applied to each order.

Call customer service for pricing for all other HPLs.

Additional lead times required for HPL orders depending on material availability and order complexity.

high pressure laminate (HPL) pricing chart

Most DeskMakers product is made of Thermofuse laminate (TFL). As such, there is an upcharge for ordering product in high pressure laminate (HPL). This upcharge varies based on the product and the size of the HPL order.

Please note that only the portion of the order in HPL will be calculated to determine the level of HPL upcharges.

HPL is always available with DeskMakers standard 2MM edgebanding. Special order matching PVC 2MM edgebanding may be available for orders \$25,000 List or larger, call customer service for pricing.

Product Category	Option Code	HPL UPCHARGE
WORKSURFACES All Shapes <i>Top surface HPL</i>	OP-HPL1-25-??	60%
CASEGOODS Top HPL only, balance TFL	OP-HPL1-1-??	25%
CASEGOODS Entire Unit HPL	OP-HPL1-4-??	120%
CASEGOODS HPL Drawer Fronts only	OP-HPL1-2-??	20%
CASEGOODS Top HPL and HPL Drawer Fronts	OP-HPL1-3-??	30%

synapse pulls

standard pulls

Pulls are included on all drawers and cabinet doors for no upcharge.



101SN



101BL



105SN



115SN



115BL



201SN



125SN*



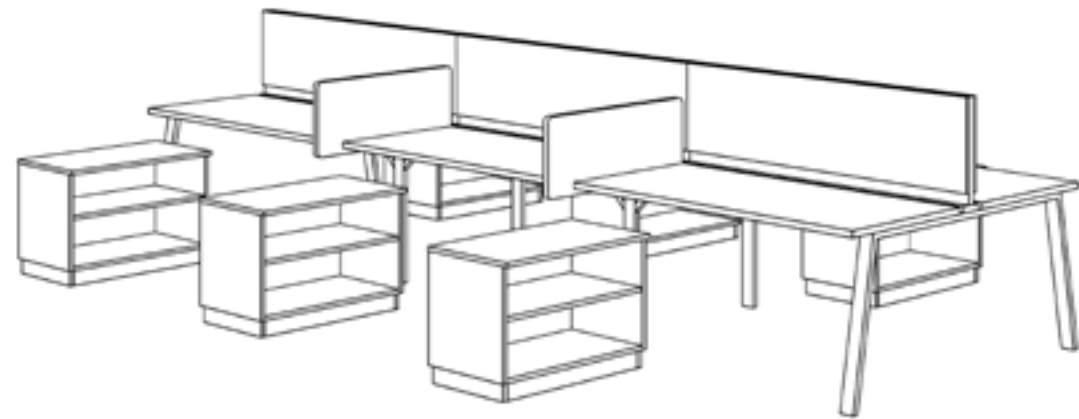
125BL*



201BL

*The 125SN/BL pull is 7.5" long. On lateral file drawers and larger cabinet doors a longer 12.5" pull in the same style will be used. This may be identified as a "127SN/BL" pull on your acknowledgment.

Components and Features



Worksurfaces

- Synapse worksurfaces are 1-1/8" thick with 45 pound industrial grade particle board core and are available in rectangular and 120 degree shapes.
- Overall depths are 48" and 60" with lengths ranging from 42" to 84".
- Multiple finish options in Thermofused Laminate (TFL) and High Pressure Laminate (HPL) with DeskMakers standard 2MM PVC edgebanding.
- End of Run worksurfaces can be placed on either end. Available in 18" depths.
- Center Beam allows optional privacy panels, tackboards, storage, etc. to be mounted directly.

Support Legs

- Support legs include Open Frame, A-Frame, C-Frame and Laminate end panels.
- Recessed middle of run legs allow for uninterrupted seating along the length on both sides of the bench.
- The middle of run wire management base conceals floor monuments and features hinged doors on both sides of the base for easy wiring access.

Privacy Panels

- Synapse offers a variety of privacy panels to define space, create division between users and establish varied degrees of privacy. See the Privacy Panel and Tackboard Pricebook for options and pricing.
- Tackboards can be added to laminate privacy panels or the Center Spine.
- Glass add-on panels can be fixed to the top of the Center Spine to create height and a greater sense of enclosure.

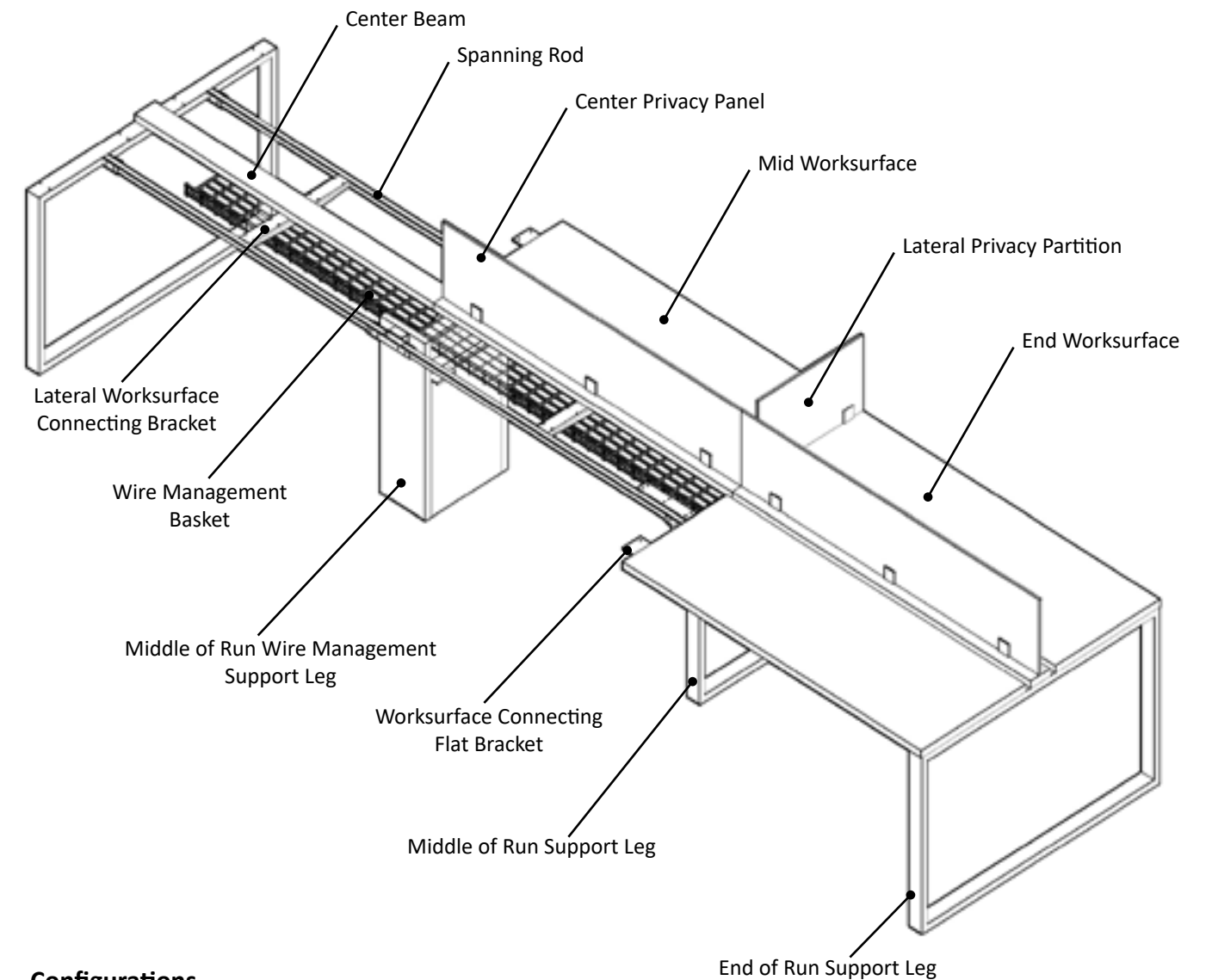
Storage

- Options include end of run mounted cubbies, overhead storage, low storage and mobile pedestals.
- Center placed overhead storage units provide additional storage and create a visual barrier.
- Floor storage credenzas are available in two heights, 20" and 23" high; and in two depths, 19" and 24" deep.
- Floor storage credenzas provide additional storage and space division, as well as provide seating for impromptu meetings.

Power

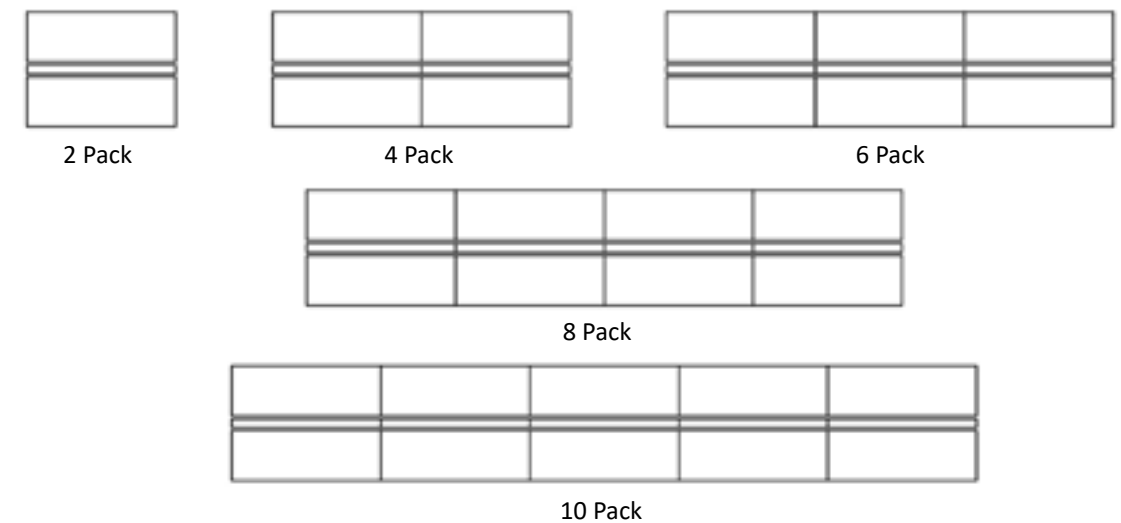
- 1-1/4" wide gap between the worksurface and center beam allows wires and plugs to pass through.
- Power can be easily accessed below the worksurface.
- S1 System Daisy-Chain Power Connection Boxes easily mount to the underside of the center beam for easy access for each user. Power Connection Boxes are daisy chaining.
- Wire baskets provide wire management and cable routing.
- See the Electrical Pricebook for options and pricing.

Understanding Synapse Double Sided Benches

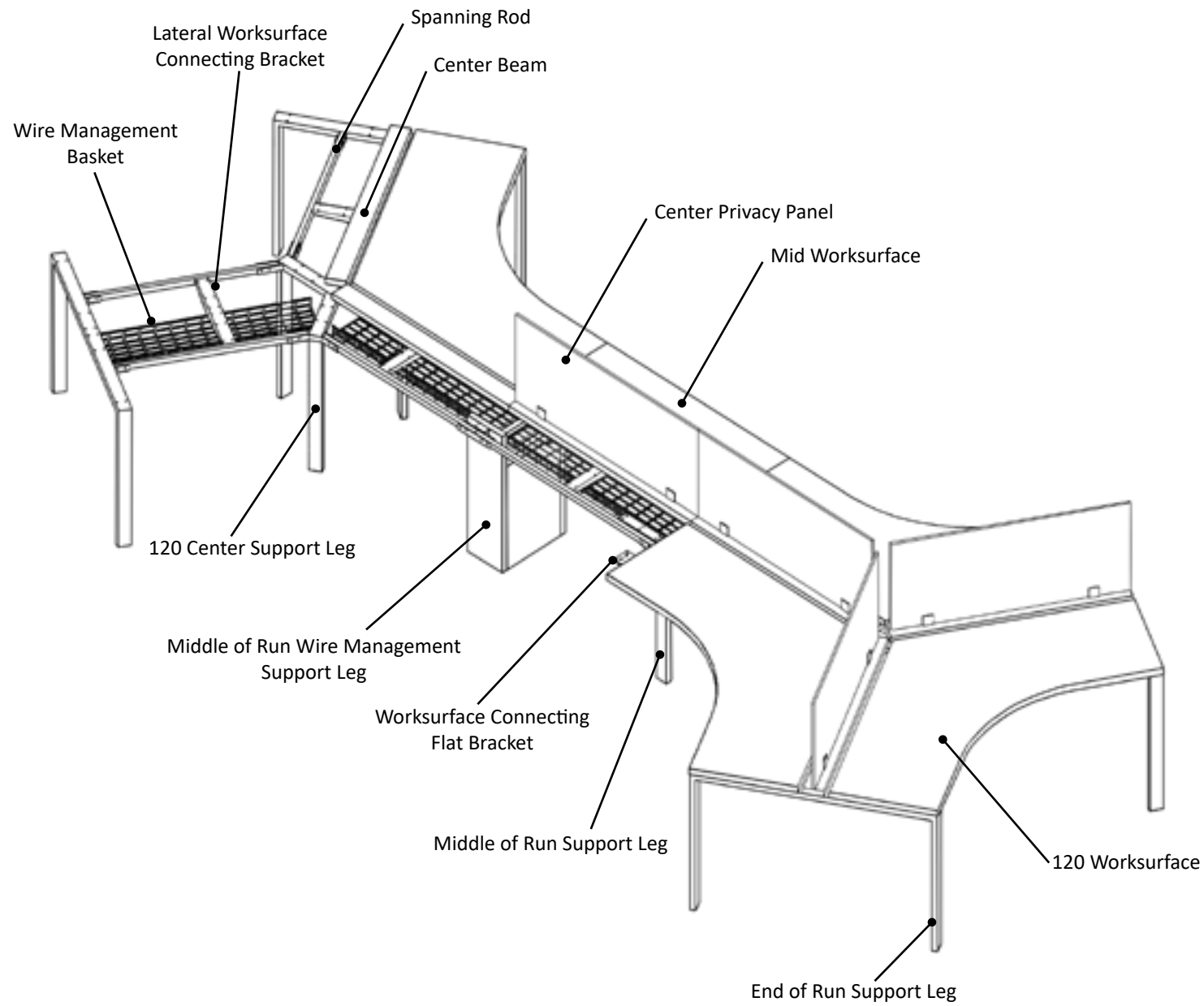


Configurations

Rectangular configurations are available in footprints as small as a 2 pack all the way up to a 10 pack. The maximum length of a configuration is 30 feet.

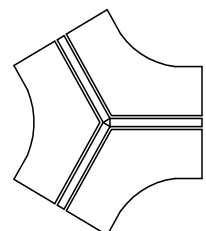


Understanding Synapse 120 Configuration Benches

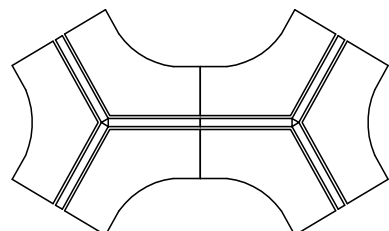


Configurations

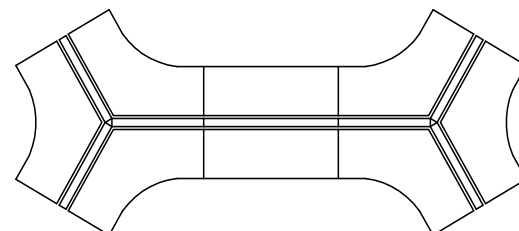
120 degree configurations are available in footprints as small as a tricluster (3 pack), a dogbone (6 pack) or an extended dogbone (8 pack).



3 Pack

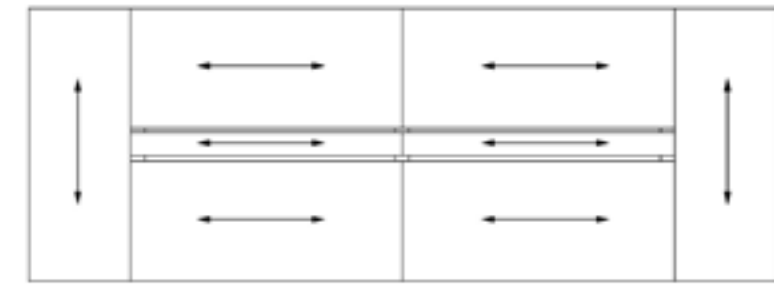


6 Pack

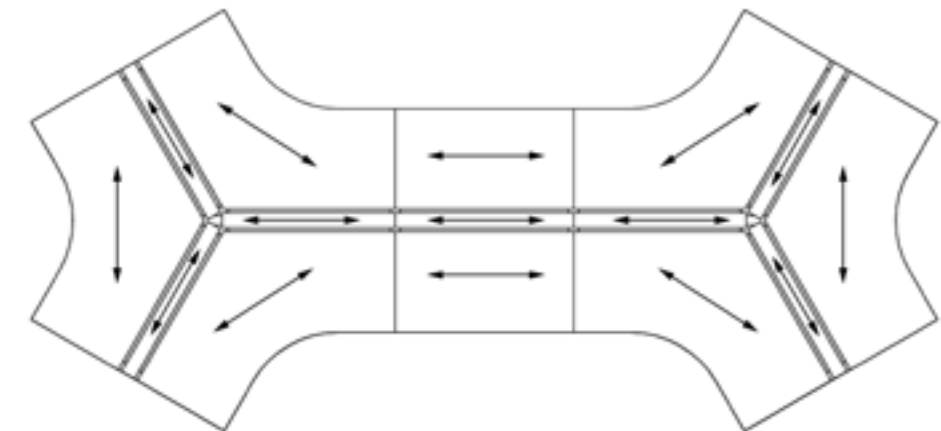


8 Pack

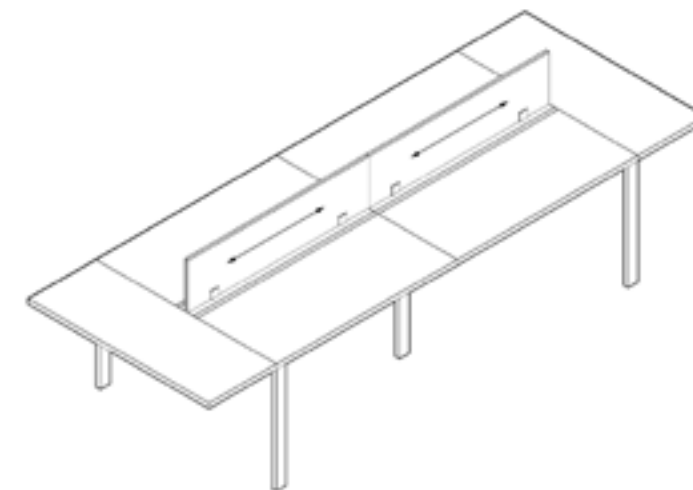
Synapse Bench Grain Direction



Grain Direction for Double Sided Benches and End of Run Workspaces



Grain Direction for 120 Configuration Benches



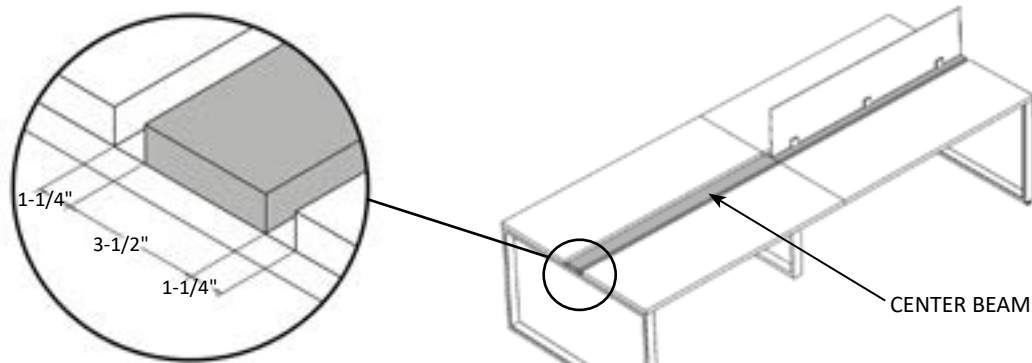
Grain Direction for Privacy Panels

Center Beam

- Center beams are 3-1/2" wide creating a 1-1/4" wide gap between the worksurface and center beam allowing wires and plugs to pass through to power source below.
- Center beam length is the same as worksurface length
- A center beam is required for all benches.

Center Beam

For Rectangular and 120 Configuration Benches

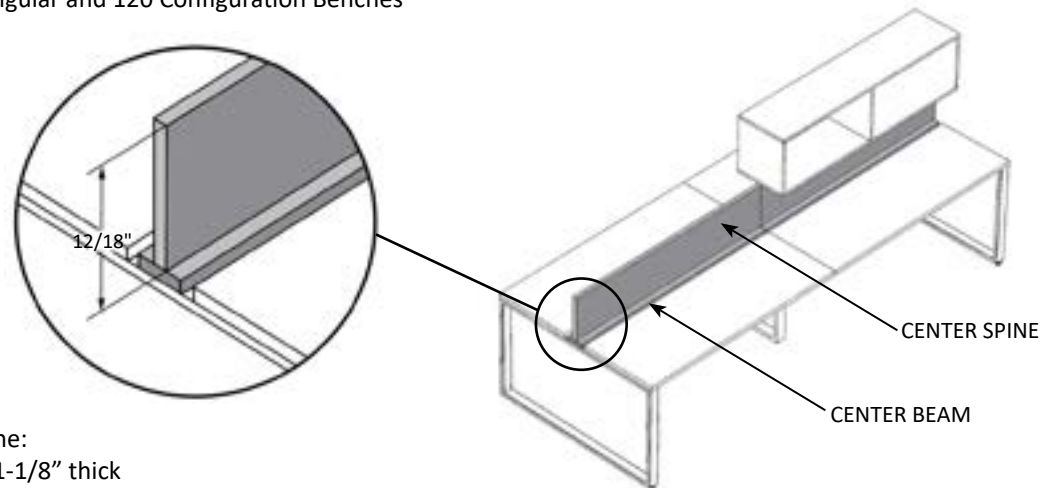


For use with:

- No privacy panels
- Glass or Acrylic privacy panels
- Double-sided tackboards
- Laminate privacy panels with metal clips

Center Beam with Center Spine

For Rectangular and 120 Configuration Benches



Center Spine:

- 1-1/8" thick
- 12" or 18" high

For use with:

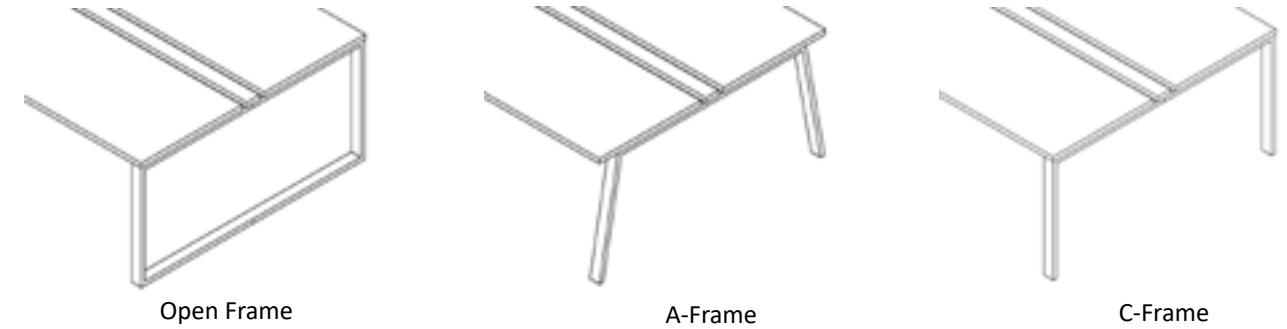
- Laminate privacy panels without metal clips
- Glass or Acrylic privacy panels mounted on spine
- Panel mounted tackboards
- Overhead cubbies

Support Legs

Support leg styles include Open Frame, A-Frame, C-Frame, Laminate for aesthetic and budgetary alternatives.

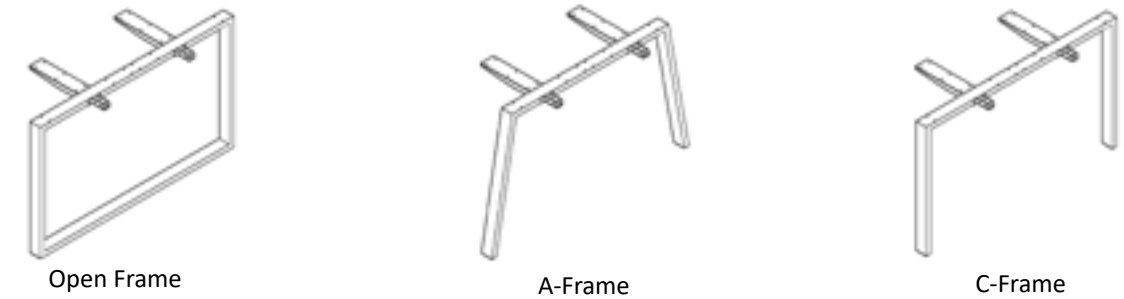
End of Run Metal Support Legs

All metal support legs are constructed of 1" thick x 2-1/2" deep steel frame with a powdercoat finish.



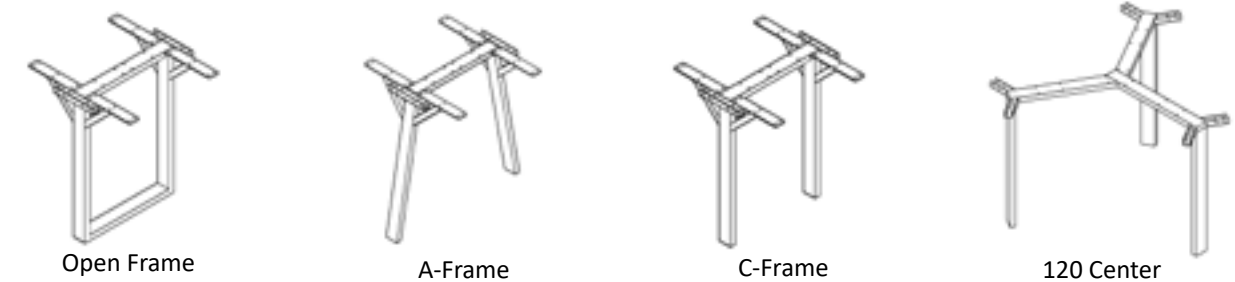
Cantilevering Metal Support Legs

For use only when specifying cubbies or bench end overhanging worksurfaces. Maximum cantilevering overhang is 18".



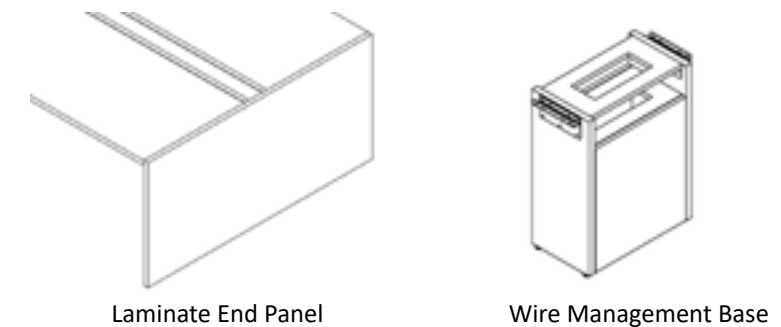
Middle of Run Metal Support Legs

- A recessed middle or run support leg allows for uninterrupted seating along the length of the bench.
- Used to support tops between end legs and are placed at seams of connecting worksurfaces.
- Can use a combination of metal legs with a laminate wire management base.




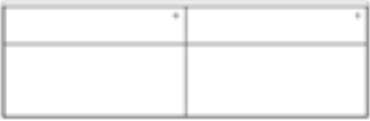


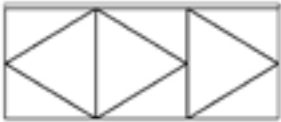



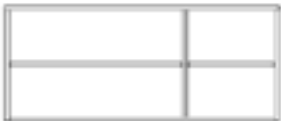












Laminate Support Legs

When using end panel supports, overall length of setup increases by 2-1/4" (1-1/8" per end panel).



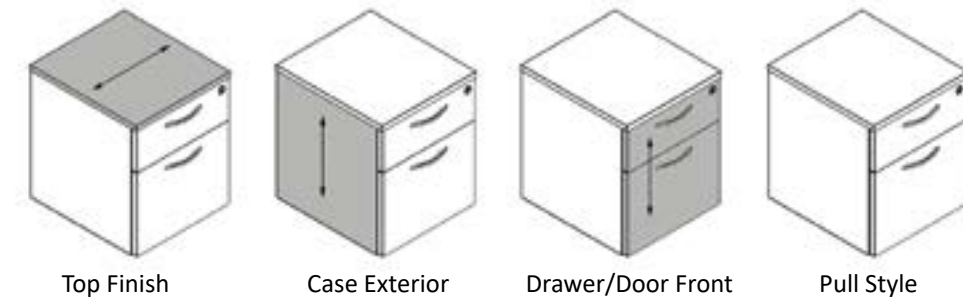
Storage Credenza Configurations

	16" Wide	32"/36" Wide	48"/54" Wide	64"/72" Wide
Drawer Storage	 16	 32/36	 32/36 32/36	 32/36 32/36
Hinged Door Storage	 16	 32/36	 32/36 16/18	 32/36 32/36
Open Storage	 16	 32/36	 32/36 16/18	 32/36 32/36
Combination Storage - Box Lateral and Hinged Door	 16/18 16/18	 32/36 16/18	 32/36 32/36	
Combination Storage - Box Lateral and Open Storage	 16/18 16/18	 32/36 16/18	 32/36 32/36	
Combination Storage - Hinged Door and Open Storage	 16/18 16/18	 32/36 16/18	 32/36 32/36	

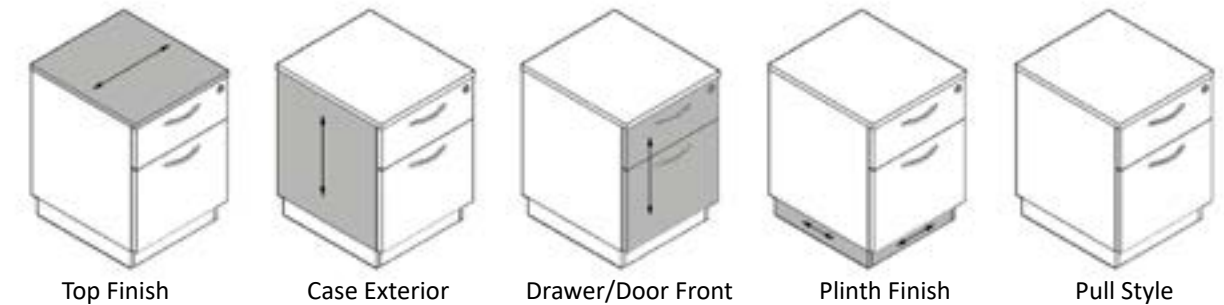
- All cabinets with left and right models are shown as left models.
- 32" wide combination credenzas consist of (2) 16" wide cabinets.
- 36" wide combination credenzas consist of (2) 18" wide cabinets.
- 48" wide combination credenzas consist of (1) 32" wide cabinet and (1) 16" wide cabinet.
- 54" wide combination credenzas consist of (1) 36" wide cabinet and (1) 18" wide cabinet.
- 64" wide credenzas consist of (2) 32" wide cabinets.
- 72" wide credenzas consist of (2) 36" wide cabinets.

Credenza Finishes

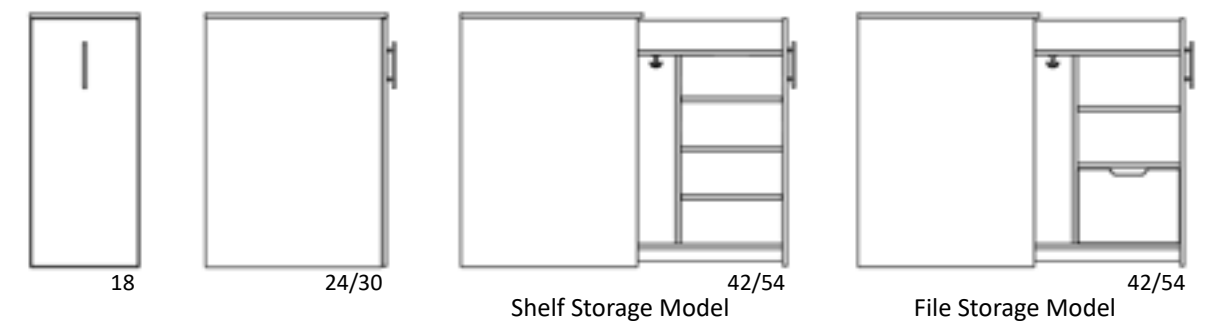
20" High Pedestals and Credenzas have 4 possible areas that can be specified as desired:



23" High Pedestals and Credenzas have 5 possible areas that can be specified as desired:

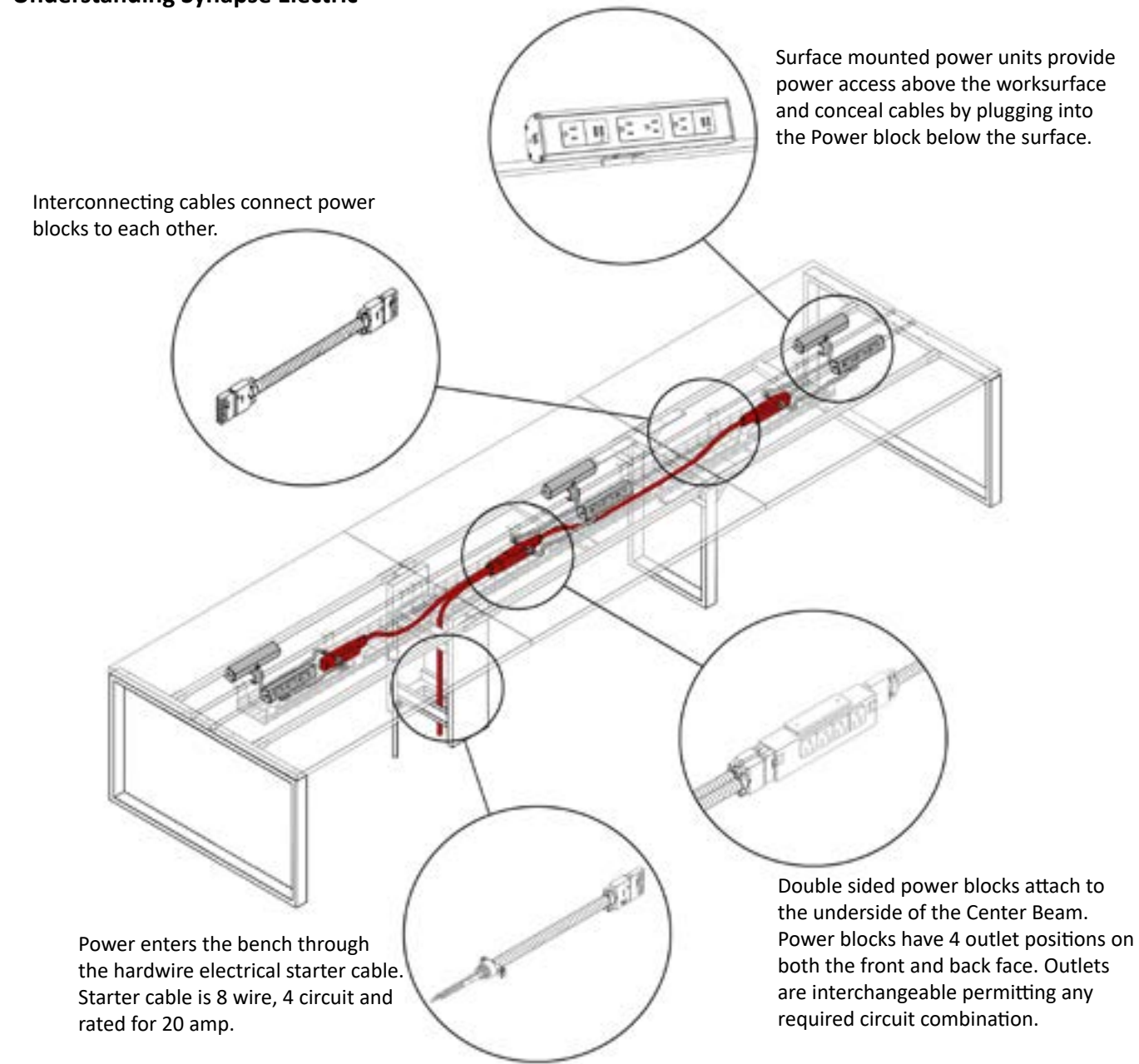


Personal Storage Tower Configurations

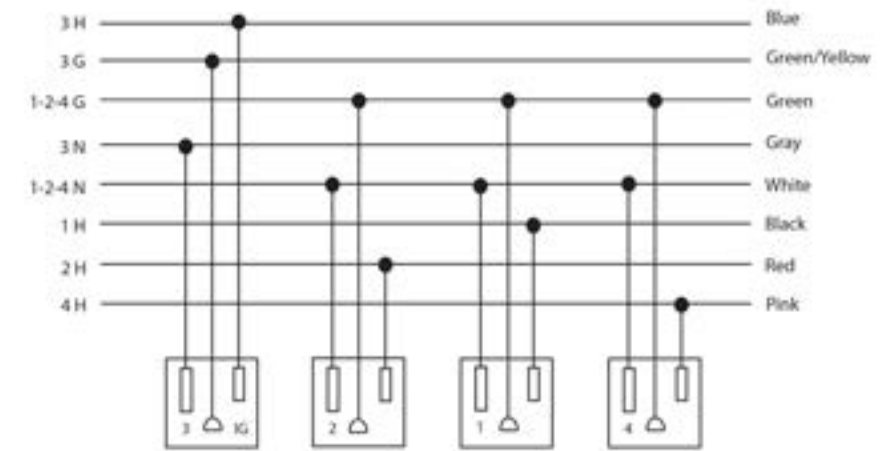


- Personal storage tower is available in left and right models. Right models are shown.
- Shelf storage model Includes wardrobe with coat hook, fixed shelf, and two adjustable shelves.
- File storage model Includes wardrobe with coat hook, fixed shelf, adjustable shelf and one file drawer.
- 24" deep personal storage towers consist of a 24" deep chassis and an 18" deep slide-out. Total depth is 42".
- 30" deep personal storage towers consist of a 30" deep chassis and a 24" deep slide-out. Total depth is 54".



Understanding Synapse Electric



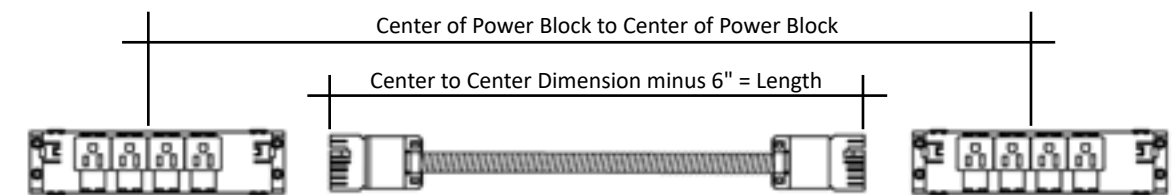
S1 System 8 Wire, 4 Circuit Wiring Schematic



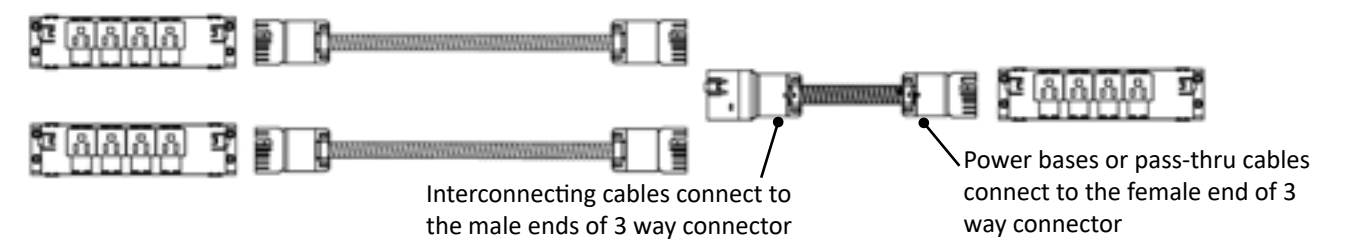
Number of Units per Starter Cable

Starter Cable Type	Double Sided Power Block
 Single Circuit Plug	2 Units
 Four Circuit Hardwire	8 Units

Calculating Interconnecting Cable Length



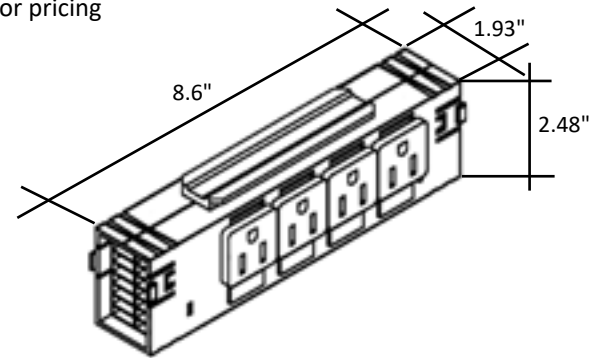
Using S1 System 3 Way Connectors



S1 System Double Sided Power Block

AC-ELS1-08


See Electrical Pricebook for pricing



Specifications

- (8) power outlets total, (4) on each side
- Outlets are removable and interchangeable
- Mounting bracket included
- Available as:
 - Outlets with Circuits 1, 2, 3 & 4
 - Outlets all Circuit 1
 - Title 24 with Circuits 2 & 4 controlled

ASHRAE 90.1/Title 24 Energy Efficiency Standards

- 50% of hardwired receptacles are required to be controlled to automatically shut off, conserving energy when not in use.
- Controlled receptacles must be marked with the designated NEC standby mark. 

ASHRAE 90.1/Title 24 S1 System Power Blocks

AC-ELS1-08DS-T24C

See Electrical Pricebook for pricing



(image shown with interface plates - not included)

Specifications

- Outlets on Circuits 2 & 4 are controlled
- Outlets on Circuit 1 & 3 are not controlled
- "IG" circuit 3 utility is an isolated circuit and shares neutral and ground

Above Surface Power and USB Unit

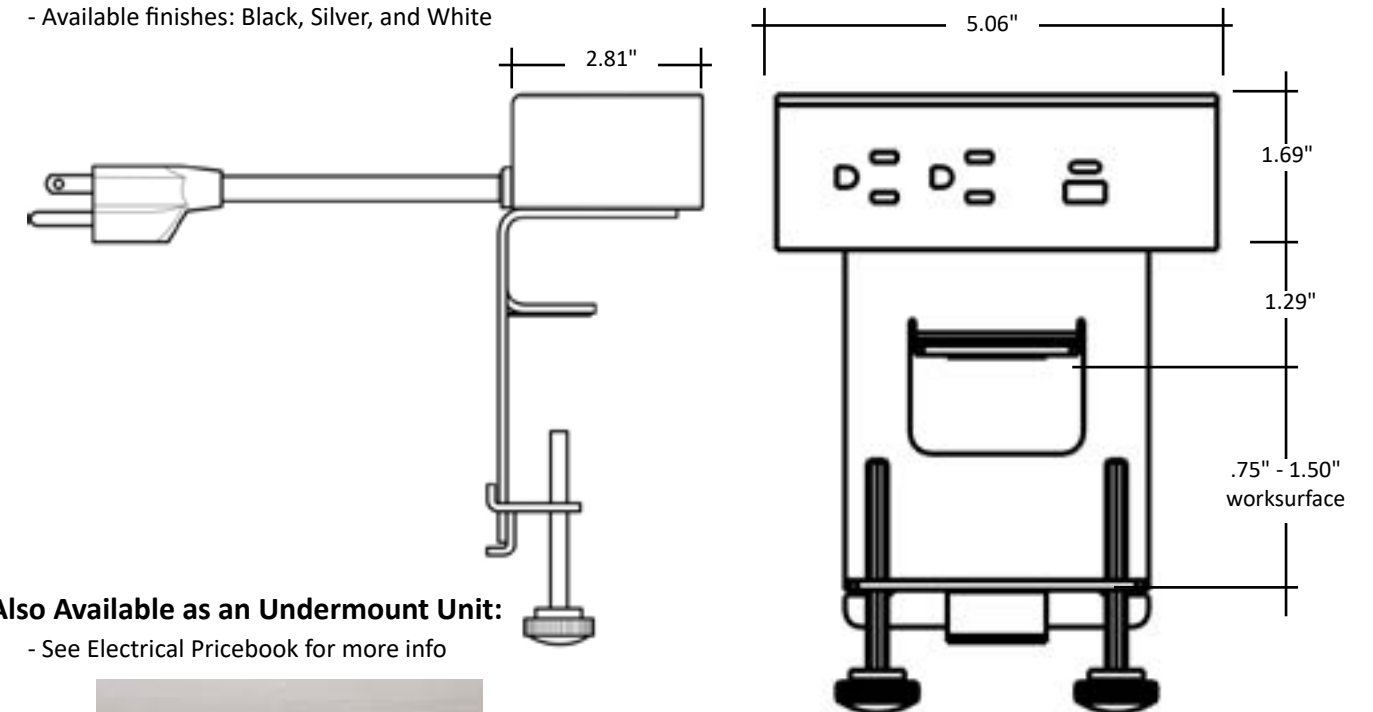
AS-ELAS-CL22-??

See Electrical Pricebook for pricing and additional size options



Specifications

- Multiple configurations available
- Spill resistant power outlets
- (1) 2.1A USB charging port
- (1) 60-Watt USB C charging port
- (1) 72" long 15amp plug cord
- Clamp mount
- Available finishes: Black, Silver, and White



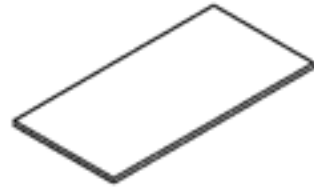
Also Available as an Undermount Unit:

- See Electrical Pricebook for more info



Rectangular Worksurface

TFL and HPL



			TFL		HPL		
			1-1/8" Thick Standard TFL 2mm PVC	1-1/8" Thick Premium TFL 2mm PVC	1-1/8" Thick Standard HPL 2mm PVC	1-1/8" Thick MDF Core 2mm PVC Knife	1" Thick Plywood Core Exposed Plywood
Model Number	Depth	Length	T1-A1	T2-A1	H1-A1	H1-K1	H1-P1
21" Deep for 48" Wide Benches							
SY-WS01-2142-??-??	21	42	\$240	\$264	\$384	\$639	\$789
SY-WS01-2148-??-??	21	48	\$257	\$283	\$415	\$650	\$812
SY-WS01-2154-??-??	21	54	\$279	\$306	\$446	\$1,009	\$1,243
SY-WS01-2160-??-??	21	60	\$296	\$326	\$477	\$1,021	\$1,265
SY-WS01-2166-??-??	21	66	\$316	\$348	\$510	\$1,032	\$1,286
SY-WS01-2172-??-??	21	72	\$336	\$370	\$539	\$1,044	\$1,308
SY-WS01-2178-??-??	21	78	\$410	\$452	\$660	\$1,055	\$1,329
SY-WS01-2184-??-??	21	84	\$432	\$475	\$695	\$1,067	\$1,351
27" Deep for 60" Wide Benches							
SY-WS01-2742-??-??	27	42	\$268	\$295	\$433	\$650	\$1,043
SY-WS01-2748-??-??	27	48	\$288	\$317	\$463	\$662	\$1,063
SY-WS01-2754-??-??	27	54	\$307	\$338	\$495	\$1,021	\$1,084
SY-WS01-2760-??-??	27	60	\$327	\$360	\$525	\$1,032	\$1,107
SY-WS01-2766-??-??	27	66	\$347	\$382	\$557	\$1,044	\$1,769
SY-WS01-2772-??-??	27	72	\$365	\$401	\$588	\$1,055	\$1,792
SY-WS01-2778-??-??	27	78	\$463	\$509	\$745	\$1,067	\$1,813
SY-WS01-2784-??-??	27	84	\$484	\$533	\$780	\$1,080	\$1,836

- TFL worksurfaces are only available with DeskMakers standard 2MM PVC edgebanding.
- HPL worksurfaces with 2mm PVC edges are only available with DeskMakers standard 2MM PVC edgebanding.
- Please see the Cleaning and Care Guide for maintenance information.

120 Degree Worksurface

TFL and HPL

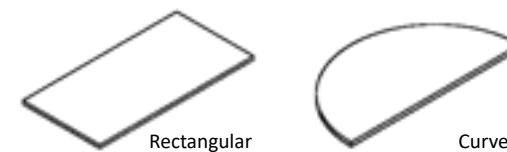


			TFL		HPL		
			1-1/8" Thick Standard TFL 2mm PVC	1-1/8" Thick Premium TFL 2mm PVC	1-1/8" Thick Standard HPL 2mm PVC	1-1/8" Thick MDF Core 2mm PVC Knife	1" Thick Plywood Core Exposed Plywood
Model Number	Depth	Length	T1-A1	T2-A1	H1-A1	H1-K1	H1-P1
21" Deep for 48" Wide Benches							
SY-WS45-4242-??-??	42	40 1/4	\$860	\$946	\$1,474	\$1,792	\$2,186
SY-WS45-4848-??-??	48	46 1/4	\$1,105	\$1,215	\$1,895	\$1,823	\$2,238
SY-WS45-5454-??-??	54	52 1/4	\$1,326	\$1,458	\$2,272	\$1,850	\$2,284
27" Deep for 60" Wide Benches							
SY-WS46-4242-??-??	42	40 1/4	\$935	\$1,029	\$1,601	\$1,802	\$2,205
SY-WS46-4848-??-??	48	46 1/4	\$1,179	\$1,297	\$2,022	\$1,833	\$2,255
SY-WS46-5454-??-??	54	52 1/4	\$1,398	\$1,538	\$2,401	\$1,862	\$3,227

- TFL worksurfaces are only available with DeskMakers standard 2MM PVC edgebanding.
- HPL worksurfaces with 2mm PVC edges are only available with DeskMakers standard 2MM PVC edgebanding.
- Please see the Cleaning and Care Guide for maintenance information.

Bench End of Run Worksurfaces

TFL and HPL



			TFL		HPL		
			1-1/8" Thick Standard TFL 2mm PVC	1-1/8" Thick Premium TFL 2mm PVC	1-1/8" Thick Standard HPL 2mm PVC	1-1/8" Thick MDF Core 2mm PVC Knife	1" Thick Plywood Core Exposed Plywood
Model Number	Depth	Length	T1-A1	T2-A1	H1-A1	H1-K1	H1-P1
Rectangular							
SY-WS01-1848-??-??	18	48	\$257	\$283	\$415	\$529	\$799
SY-WS01-1860-??-??	18	60	\$296	\$326	\$477	\$783	\$1,253
Curved							
SY-WS05-1848-??-??	18	48	\$450	\$494	\$722	\$753	\$813
SY-WS05-1860-??-??	18	60	\$564	\$620	\$907	\$1,087	\$1,270

- When specifying bench end surfaces, cantilevering support leg must be used.
- TFL worksurfaces are only available with DeskMakers standard 2MM PVC edgebanding.
- HPL worksurfaces with 2mm PVC edges are only available with DeskMakers standard 2MM PVC edgebanding.
- Please see the Cleaning and Care Guide for maintenance information.

Center Beams

TFL and HPL



		TFL		HPL	
		1-1/8" Thick Standard TFL	1-1/8" Thick Premium TFL	1-1/8" Thick Standard HPL	1" Thick Plywood Core
		2mm PVC	2mm PVC	2mm PVC	Exposed Plywood
Model Number	Depth Length	T1-A1	T2-A1	H1-A1	H1-P1
For Use with Rectangular Worksurfaces					
SY-CTB1-0442-??-??	3 1/2 42	\$61	\$67	\$97	\$355
SY-CTB1-0448-??-??	3 1/2 48	\$65	\$71	\$105	\$360
SY-CTB1-0454-??-??	3 1/2 54	\$70	\$77	\$114	\$366
SY-CTB1-0460-??-??	3 1/2 60	\$75	\$82	\$120	\$401
SY-CTB1-0466-??-??	3 1/2 66	\$84	\$92	\$136	\$425
SY-CTB1-0472-??-??	3 1/2 72	\$93	\$102	\$148	\$435
SY-CTB1-0478-??-??	3 1/2 78	\$103	\$113	\$163	\$446
SY-CTB1-0484-??-??	3 1/2 84	\$109	\$120	\$177	\$448
For Use with 120 Degree Worksurfaces					
SY-CTB2-0440-??-??	3 1/2 40-1/4	\$58	\$64	\$91	\$355
SY-CTB2-0446-??-??	3 1/2 46-1/4	\$62	\$68	\$101	\$360
SY-CTB2-0452-??-??	3 1/2 52-1/4	\$67	\$74	\$110	\$366

- A center beam is required for all benches.
- For use with laminate or glass privacy screens. May also be specified without a privacy screen. Please see the Privacy Panel and Tackboard pricebook for options.
- 78" and 84" worksurfaces with center beam with center spine require two lateral worksurface connecting brackets, see page 33.
- TFL worksurfaces are only available with DeskMakers standard 2MM PVC edgebanding.
- HPL worksurfaces with 2mm PVC edges are only available with DeskMakers standard 2MM PVC edgebanding.
- Please see the Cleaning and Care Guide for maintenance information.

Center Beam With 12" High Center Spine



				TFL		HPL
				1-1/8" Thick Standard TFL	1-1/8" Thick Premium TFL	1-1/8" Thick Standard HPL
				2mm PVC	2mm PVC	2mm PVC
Model Number	Depth	Length	Height	T1-A1	T2-A1	H1-A1
For Use with Rectangular Worksurfaces						
SY-CTB3-0442-??-??	3 1/2	42	12	\$359	\$395	\$578
SY-CTB3-0448-??-??	3 1/2	48	12	\$388	\$426	\$623
SY-CTB3-0454-??-??	3 1/2	54	12	\$423	\$465	\$685
SY-CTB3-0460-??-??	3 1/2	60	12	\$450	\$494	\$724
SY-CTB3-0466-??-??	3 1/2	66	12	\$503	\$554	\$809
SY-CTB3-0472-??-??	3 1/2	72	12	\$549	\$604	\$884
SY-CTB3-0478-??-??	3 1/2	78	12	\$611	\$672	\$982
SY-CTB3-0484-??-??	3 1/2	84	12	\$657	\$722	\$1,055
For Use with 120 Degree Worksurfaces						
SY-CTB5-0440-??-??	3 1/2	40 1/4	12	\$347	\$382	\$557
SY-CTB5-0446-??-??	3 1/2	46 1/4	12	\$378	\$416	\$608
SY-CTB5-0452-??-??	3 1/2	52 1/4	12	\$409	\$450	\$659

Center Beam With 18" High Center Spine



				TFL		HPL
				1-1/8" Thick Standard TFL	1-1/8" Thick Premium TFL	1-1/8" Thick Standard HPL
				2mm PVC	2mm PVC	2mm PVC
Model Number	Depth	Length	Height	T1-A1	T2-A1	H1-A1
For Use with Rectangular Worksurfaces						
SY-CTB4-0442-??-??	3 1/2	42	18	\$420	\$462	\$675
SY-CTB4-0448-??-??	3 1/2	48	18	\$451	\$496	\$727
SY-CTB4-0454-??-??	3 1/2	54	18	\$494	\$543	\$793
SY-CTB4-0460-??-??	3 1/2	60	18	\$525	\$577	\$845
SY-CTB4-0466-??-??	3 1/2	66	18	\$588	\$647	\$944
SY-CTB4-0472-??-??	3 1/2	72	18	\$641	\$705	\$1,028
SY-CTB4-0478-??-??	3 1/2	78	18	\$713	\$785	\$1,146
SY-CTB4-0484-??-??	3 1/2	84	18	\$766	\$842	\$1,233
For Use with 120 Degree Worksurfaces						
SY-CTB6-0440-??-??	3 1/2	40 1/4	18	\$400	\$440	\$645
SY-CTB6-0446-??-??	3 1/2	46 1/4	18	\$444	\$489	\$714
SY-CTB6-0452-??-??	3 1/2	52 1/4	18	\$483	\$531	\$777

- Center spine extends 12 or 18" above Center Beam.
- Center spine is 1-1/8" thick material.
- 78" and 84" worksurfaces with center beam with center spine require two lateral worksurface connecting brackets, see page 33.
- 6" high glass privacy panels or overhead cubbies can be added to top of spine. Please see Privacy Panel and Tackboard price book for options.
- TFL and HPL worksurfaces are only available with DeskMakers standard 2MM PVC edgebanding.
- Please see the Cleaning and Care Guide for maintenance information.

End of Run Open Frame Support Leg for Double Sided Benches



Model Number	Width	Height	Price
SY-OLG1-48-SV	47 3/4	28	\$678
SY-OLG1-60-SV	59 3/4	28	\$730

- Legs are constructed of 1" thick x 2-1/2" deep steel frame with a powdercoat finish.
- Includes two adjustable glides.
- For additional colors or raw steel finish, please contact Customer Service for upcharge.

Cantilevering Open Frame Support Leg for Double Sided Benches



Model Number	Width	Height	Price
SY-OLG2-48-SV	47 3/4	28	\$763
SY-OLG2-60-SV	59 3/4	28	\$931

- Legs are constructed of 1" thick x 2-1/2" deep steel frame with a powdercoat finish.
- For use only when specifying cubbies or bench end overhanging worksurfaces.
- Includes two adjustable glides.
- For additional colors or raw steel finish, please contact Customer Service for upcharge.

Middle of Run Open Frame Support Leg for Double Sided Benches



Model Number	Width	Height	Price
For 48" Wide Benches			
SY-OLG3-48-SV	21 3/4	28	\$874
For 60" Wide Benches			
SY-OLG3-60-SV	31 3/4	28	\$800

- Legs are constructed of 1" thick x 2-1/2" deep steel frame with a powdercoat finish.
- Includes two adjustable glides.
- For additional colors or raw steel finish, please contact Customer Service for upcharge.

End of Run A-Frame Support Leg for Double Sided Benches



Model Number	Top of Leg Width	Bottom of Leg Width	Height	Price
SY-ALG1-48-SV	37 7/8	47 3/4	28	\$594
SY-ALG1-60-SV	49 7/8	59 3/4	28	\$620

- Legs are constructed of 1" thick x 2-1/2" deep steel frame with a powdercoat finish.
- Includes two adjustable glides.
- For additional colors or raw steel finish, please contact Customer Service for upcharge.

Cantilevering A-Frame Support Leg for Double Sided Benches



Model Number	Top of Leg Width	Bottom of Leg Width	Height	Price
SY-ALG2-48-SV	37 7/8	47 3/4	28	\$671
SY-ALG2-60-SV	49 7/8	59 3/4	28	\$839

- Legs are constructed of 1" thick x 2-1/2" deep steel frame with a powdercoat finish.
- For use only when specifying cubbies or bench end overhanging worksurfaces.
- Includes two adjustable glides.
- For additional colors or raw steel finish, please contact Customer Service for upcharge.

Middle of Run Open Frame Support Leg for Double Sided Benches



Model Number	Top of Leg Width	Bottom of Leg Width	Height	Price
For 48" Wide Benches				
SY-ALG3-48-SV	21 3/4	31 1/4	28	\$671
For 60" Wide Benches				
SY-ALG3-60-SV	31 3/4	41 1/4	28	\$733

- Legs are constructed of 1" thick x 2-1/2" deep steel frame with a powdercoat finish.
- Includes two adjustable glides.
- For additional colors or raw steel finish, please contact Customer Service for upcharge.

End of Run C-Frame Support Leg for Double Sided Benches



Model Number	Width	Height	Price
SY-CLG1-48-SV	47 3/4	28	\$584
SY-CLG1-60-SV	59 3/4	28	\$641

- Legs are constructed of 1" thick x 2-1/2" deep steel frame with a powdercoat finish.
- Includes two adjustable glides.
- For additional colors or raw steel finish, please contact Customer Service for upcharge.

Cantilevering C-Frame Support Leg for Double Sided Benches



Model Number	Width	Height	Price
SY-CLG2-48-SV	47 3/4	28	\$647
SY-CLG2-60-SV	59 3/4	28	\$817

- Legs are constructed of 1" thick x 2-1/2" deep steel frame with a powdercoat finish.
- For use only when specifying cubbies or bench end overhanging worksurfaces.
- Includes two adjustable glides.
- For additional colors or raw steel finish, please contact Customer Service for upcharge.

Middle of Run C-Frame Support Leg for Double Sided Benches



Model Number	Width	Height	Price
For 48" Wide Benches			
SY-CLG3-48-SV	21 3/4	28	\$616
For 60" Wide Benches			
SY-CLG3-60-SV	31 3/4	28	\$655

- Legs are constructed of 1" thick x 2-1/2" deep steel frame with a powdercoat finish.
- Includes two adjustable glides.
- For additional colors or raw steel finish, please contact Customer Service for upcharge.

End of Run Laminate Panel Support Leg for Double Sided Benches



Model Number	Width	Height	TFL (T)	HPL (H)
SY-EPL1-48-?	48	29	\$464	\$787
SY-EPL1-60-?	60	29	\$495	\$819

- When using end panel supports, overall length of setup increases by 2-1/4" (1-1/8" per end panel).
- Includes metal mounting bracket and two adjustable glides.
- Edges are DeskMakers standard 2MM PVC edgebanding.

Middle of Run Wire Management Support Leg for Double Sided Benches



Model Number	Width	Depth	Height	TFL (T)	HPL (H)
For 48" Wide Benches					
SY-WML1-48-?	21 3/4	12	28	\$1,156	\$2,012
For 60" Wide Benches					
SY-WML1-60-?	31 3/4	12	28	\$1,179	\$2,033

- Includes hinged access doors both sides.
- Includes adjustable glides.
- Edges are DeskMakers standard 2MM PVC edgebanding.
- For rolled stainless steel to the doors only, add SY-OPTN-BOX-STL for \$754. Edges with rolled steel finish are 2MM PVC.

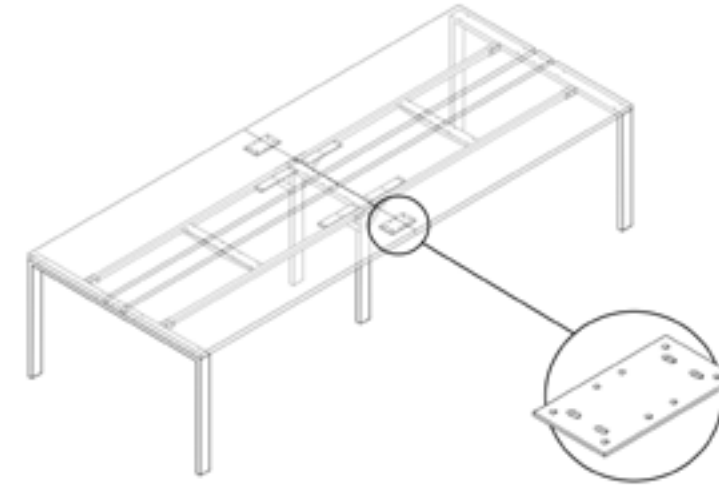
120 Center Support Leg for Cluster Configuration Benches



Model Number	Width	Height	Price
For 48" Wide Benches			
SY-CNLG-48-SV	27 3/4	28	\$925
For 60" Wide Benches			
SY-CNLG-60-SV	38 1/4	28	\$1,223

- Bases are constructed of 1" thick x 2-1/2" deep steel frame with a powdercoat finish.
- Dimensions are nominal.
- Includes two adjustable glides.
- For additional colors or raw steel finish, please contact Customer Service for upcharge.

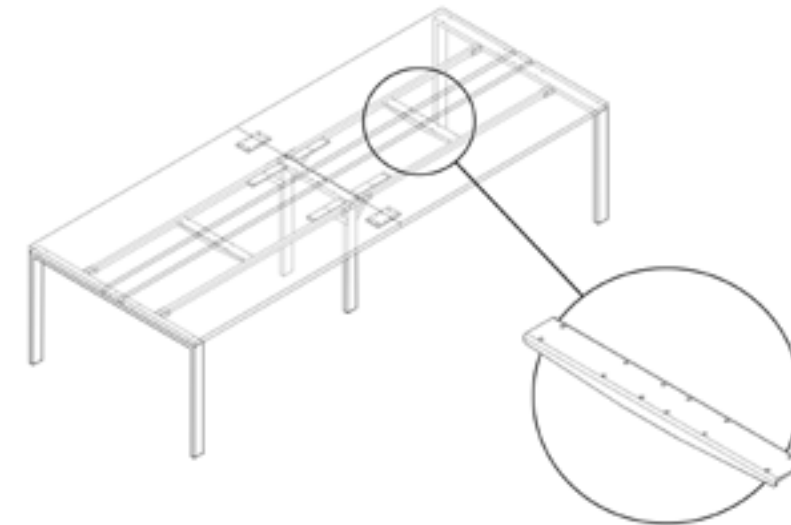
Worksurface Connecting Flat Bracket



Model Number	Width	Length	Price
AC-BRKT-FLAT	3 1/2	6 1/2	\$27

- Worksurface connecting flat brackets must be specified to connect two worksurfaces together, providing required support.
- Available in black finish only. (These are the same brackets DeskMakers uses for connecting desks to returns.)
- Includes required wood screws.

Lateral Worksurface Connecting U-Bracket



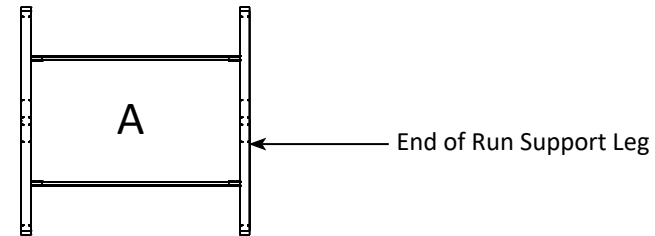
Model Number	Width	Length	Price
SY-BRKT-U	2 1/2	19 3/4	\$82

- Lateral worksurface connecting brackets must be specified to connect two worksurfaces to the center beam, providing required support. Tops 42" to 72" long require one lateral bracket, 78" and 84" worksurfaces require two lateral brackets.
- Available in silver finish only.
- Includes required wood screws.

Spanning Rods - For Double Sided Benches

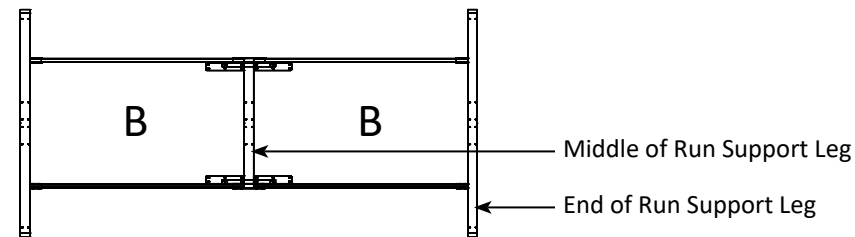
Single Run (A)

Used for benches that are one section and do not have a middle of run section. Rods connect End of Run Support Legs to End of Run Support Legs.



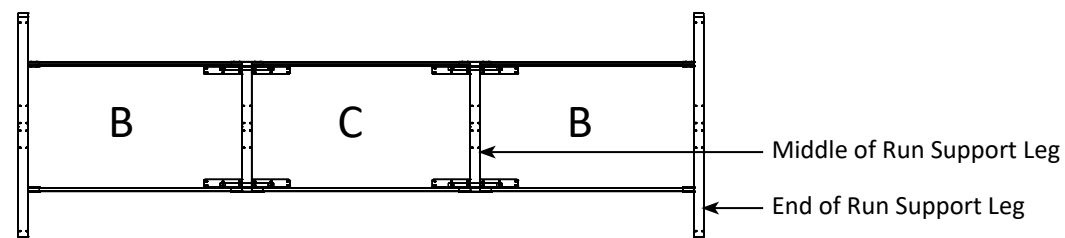
End of Run (B)

Used for end sections of Benches. Rods Connect End of Run Support Legs to Middle of Run Support Legs.



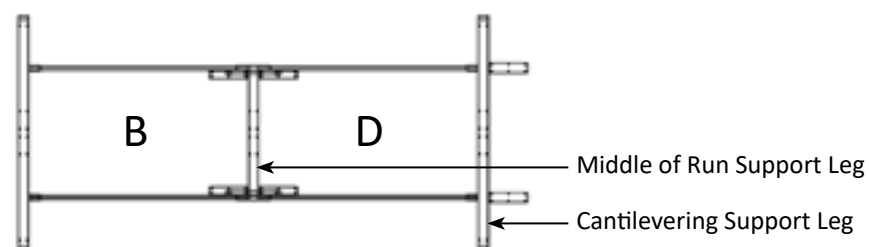
Middle of Run (C)

Used for middle sections of Benches. Rods connect Middle of Run Support Legs to Middle of Run Support Legs.



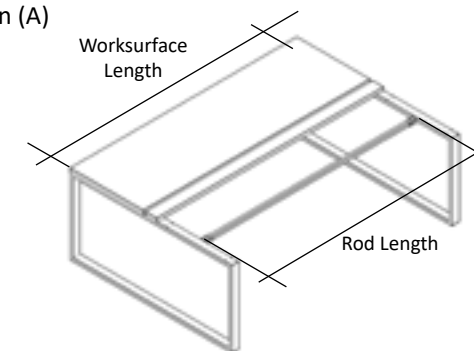
Cantilevering (D)

Used for end sections of Benches. Rods connect Cantilevering Support Legs to Middle of Run Support Legs.



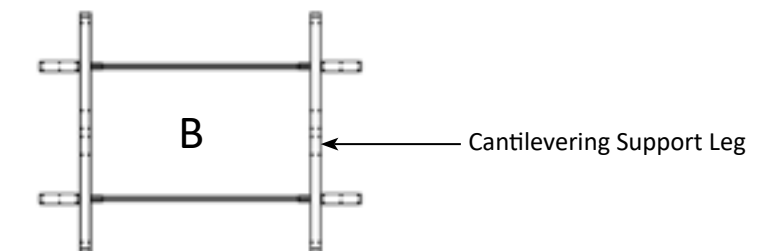
Spanning Rod

Single Run (A)



Model Number	Worksurface Length	Rod Length	Price
SY-RDSR-37	42	36 3/4	\$109
SY-RDSR-43	48	42 3/4	\$121
SY-RDSR-49	54	48 3/4	\$126
SY-RDSR-55	60	54 3/4	\$130
SY-RDSR-61	66	60 3/4	\$146
SY-RDSR-67	72	66 3/4	\$154
SY-RDSR-73	78	72 3/4	\$171
SY-RDSR-79	84	78 3/4	\$186

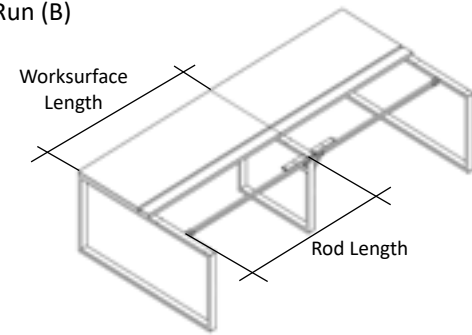
- Spanning rods are approximately 1" square steel with a powdercoat finish.
- Single run benches with 72", 78" and 84" worksurfaces and an overhead cubby require a middle of run support leg and two lateral worksurface connecting brackets.
- For laminate panel support legs use middle of run spanning rods.
- Dimensions are nominal.



- If using cantilevering legs on both ends of bench, specify end of run to middle of run (SY-RDER) spanning rods.

Spanning Rod

End of Run (B)

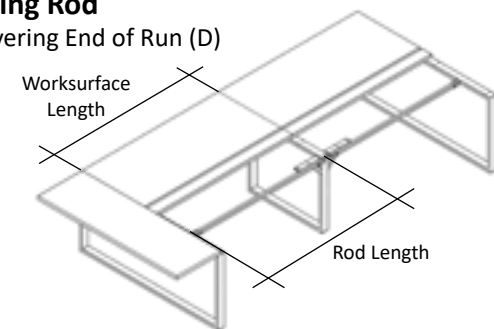


Model Number	Worksurface Length	Rod Length	Price
SY-RDER-40	42	39 1/4	\$116
SY-RDER-46	48	45 1/4	\$124
SY-RDER-52	54	51 1/4	\$127
SY-RDER-58	60	57 1/4	\$139
SY-RDER-64	66	63 1/4	\$151
SY-RDER-70	72	69 1/4	\$168
SY-RDER-76	78	75 1/4	\$184
SY-RDER-82	84	81 1/4	\$196

- Spanning rods are approximately 1" square steel with a powdercoat finish.
- Laminate panel support legs use middle of run spanning rods for the end of run location.
- Dimensions are nominal.

Spanning Rod

Cantilevering End of Run (D)

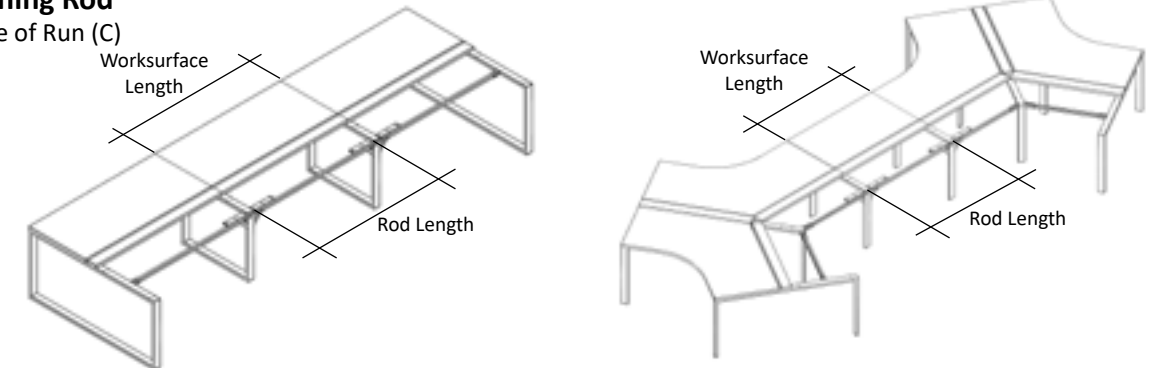


Model Number	Worksurface Length	Rod Length	Price
SY-RDCR-41	42	40 1/2	\$121
SY-RDCR-47	48	46 1/2	\$125
SY-RDCR-53	54	52 1/2	\$127
SY-RDCR-59	60	58 1/2	\$140
SY-RDCR-65	66	64 1/2	\$152
SY-RDCR-71	72	70 1/2	\$171
SY-RDCR-77	78	76 1/2	\$186
SY-RDCR-83	84	82 1/2	\$198

- Spanning rods are approximately 1" square steel with a powdercoat finish.
- Dimensions are nominal.

Spanning Rod

Middle of Run (C)



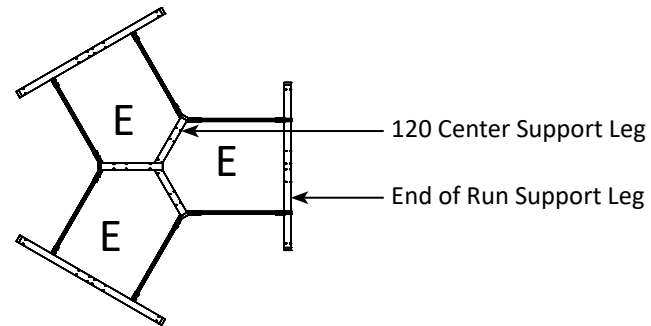
Model Number	Worksurface Length	Rod Length	Price
SY-RDMR-42	42	41 3/4	\$121
SY-RDMR-48	48	47 3/4	\$126
SY-RDMR-54	54	53 3/4	\$130
SY-RDMR-60	60	59 3/4	\$144
SY-RDMR-66	66	65 3/4	\$154
SY-RDMR-72	72	71 3/4	\$171
SY-RDMR-78	78	77 3/4	\$186
SY-RDMR-84	84	83 3/4	\$198

- Spanning rods are approximately 1" square steel with a powdercoat finish.
- Laminate panel support legs use middle of run spanning rods for the end of run location.
- Dimensions are nominal.

Spanning Rods - For 120 Configuration Benches

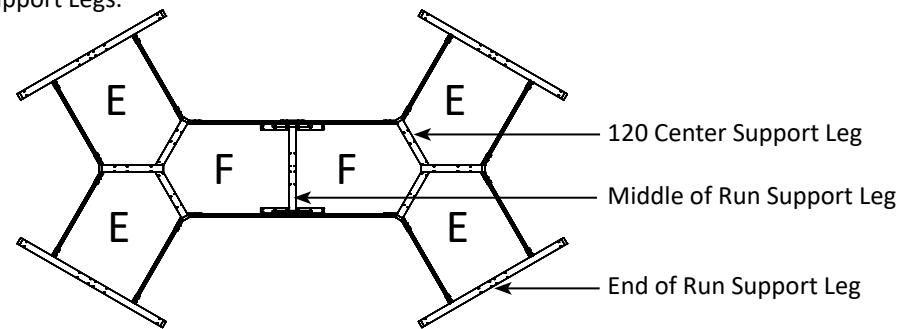
Tri-Cluster (E)

Used for Tri-Cluster 120 benches that are three 120 sections. Rods connect End of Run Support Legs to 120 Center Support Leg.



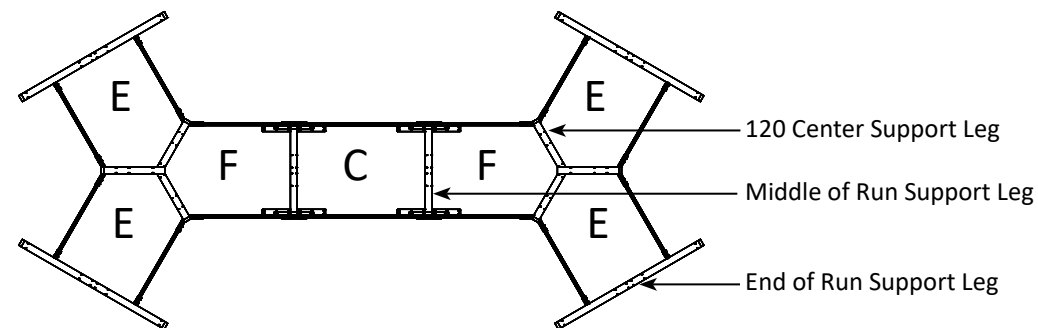
Dogbone (F)

Used for connecting two Tri-Cluster bench sections together. Rods connect 120 Center Support Legs to Middle of Run Support Legs.

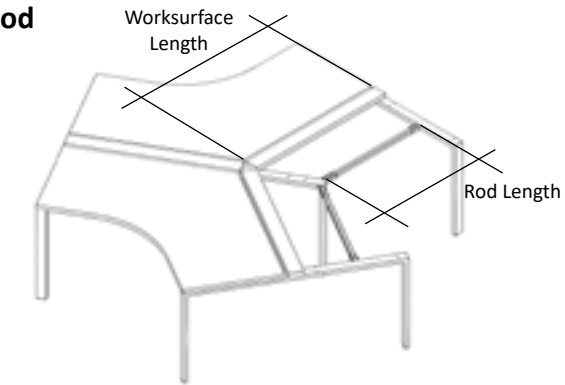


Middle of Run (C) - See Page 29

The same Middle of Run rods for Double Sided Benches are used for 120 Configuration Benches. Rods connect Middle of Run Support Legs to Middle of Run Support Legs.



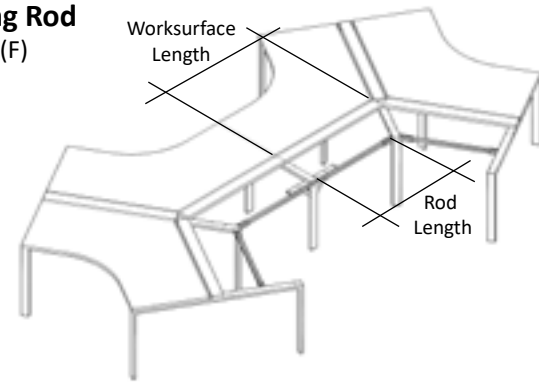
Spanning Rod
Tri-Cluster (E)



Model Number	Worksurface Length	Rod Length	Price
For 48" Wide Benches			
SY-RDTC-31	42	30 3/4	\$95
SY-RDTC-37	48	36 3/4	\$109
SY-RDTC-43	54	42 3/4	\$121
For 60" Wide Benches			
SY-RDTC-28	42	28	\$87
SY-RDTC-34	48	34	\$103
SY-RDTC-40	54	40	\$116

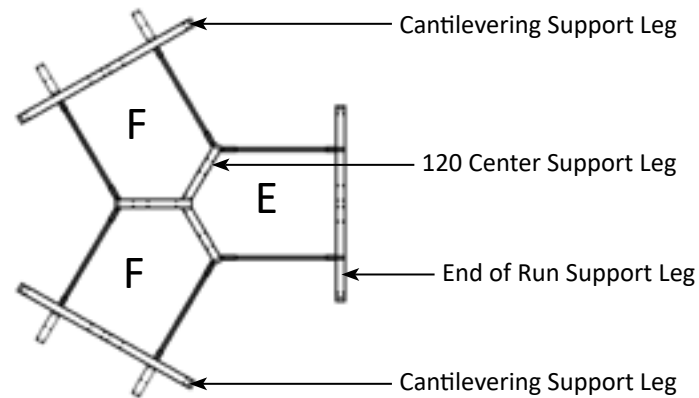
- Spanning rods are approximately 1" square steel with a powdercoat finish.
- Laminate panel support legs use middle of run spanning rods for the end of run location.
- Dimensions are nominal.

Spanning Rod Dogbone (F)



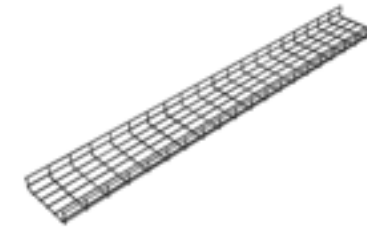
Model Number	Worksurface Length	Rod Length	Price
For 48" Wide Benches			
SY-RDDB-33	42	32	\$95
SY-RDDB-39	48	38	\$116
SY-RDDB-45	54	44	\$124
For 60" Wide Benches			
SY-RDDB-30	42	29 1/8	\$94
SY-RDDB-36	48	35 1/8	\$109
SY-RDDB-42	54	41 1/8	\$121

- Spanning rods are approximately 1" square steel with a powdercoat finish.
- Laminate panel support legs use middle of run spanning rods for the end of run location.
- Dimensions are nominal.



- If using cantilevering legs on 120 degree benches, specify dogbone middle of run to 120 center support leg (SY-RDDB) spanning rods.

Wire Management Baskets



Model Number	Width	Length	Height	Price
SY-WMBT-0836	8	36	2	\$144
SY-WMBT-0842	8	42	2	\$151
SY-WMBT-0848	8	48	2	\$191
SY-WMBT-0860	8	60	2	\$212
SY-WMBT-0872	8	72	2	\$221

- Includes mounting brackets.
- Silver finish.
- Overall height with mounting brackets is 5".

Metal Mobile Box/File Pedestal



Model Number	Color	Width	Depth	Height	Price
MF-MPE1-SM	(Silver Metallic)	15	20	23	\$888
MF-MPE1-WT	(White)	15	20	23	\$888
MF-MPE1-BK	(Black)	15	20	23	\$1,017

- Ships in individual carton.
- For laminate drawer faces with standard finishes and pulls, add MF-OPTN-FT for \$217.

Metal Mobile Box/File Pedestal with Cushion



Model Number	Color	Width	Depth	Height	Grade 1	Grade 2	Grade 3
MF-MPE2-SM	(Silver Metallic)	15	20	23	\$1,105	\$1,192	\$1,316
MF-MPE2-WT	(White)	15	20	23	\$1,105	\$1,192	\$1,316
MF-MPE2-BK	(Black)	15	20	23	\$1,234	\$1,321	\$1,446

- Ships in individual carton.
- For laminate drawer faces with standard finishes and pulls, add MF-OPTN-FT for \$217.
- See website for fabric selections.

Skinny Metal Mobile Box/File Pedestal



Model Number	Color	Width	Depth	Height	Price
MF-MPSK-SM	(Silver Metallic)	10	19	21	\$840
MF-MPSK-WT	(White)	10	19	21	\$840
MF-MPSK-BK	(Black)	10	19	21	\$840

- Ships in individual carton.
- For laminate drawer faces with standard finishes and pulls, add MF-OPTN-FT for \$217.

Skinny Metal Mobile Box/File Pedestal with Cushion



Model Number	Color	Width	Depth	Height	Grade 1	Grade 2	Grade 3
MF-MPSK-SM-GR?	(Silver Metallic)	10	19	23	\$1,034	\$1,113	\$1,192
MF-MPSK-WT-GR?	(White)	10	19	23	\$1,034	\$1,113	\$1,192
MF-MPSK-BK-GR?	(Black)	10	19	23	\$1,034	\$1,113	\$1,192

- Ships in individual carton.
- For laminate drawer faces with standard finishes and pulls, add MF-OPTN-FT for \$217.
- See website for fabric selections.

Mobile Box/File Pedestal



Model Number	Width	Depth	Height	Price
SS-MBBF-1622 (box-file)	16	22	22	\$1,177

- Five locking casters for stability.
- Accommodates letter-size filing front to back, or legal-size filing side to side.

Mobile Box/File Pedestal with Cushion



Model Number	Width	Depth	Height	Grade 1	Grade 2	Grade 3	Grade 4
SS-MBCS-1622-GR?	16	22	24	\$1,354	\$1,446	\$1,532	\$1,622

- Five locking casters for stability.
- Accommodates letter-size filing front to back, or legal-size filing side to side.
- Replace '?' with fabric grade. See website for fabric selections.

20" High Statonary Box/File Pedestal



Model Number	Width	Depth	Height	Price
SY-SBFL-1916	16	19	20	\$763
SY-SBFL-2416	16	24	20	\$829

- Includes adjustable glides.
- Accommodates letter-size filing front to back, or legal-size filing side to side.
- See page 56 for option to add fabric cushion.

23" High Statonary Box/File Pedestal



Model Number	Width	Depth	Height	Price
SY-SBFP-1916	16	19	23	\$950
SY-SBFP-2416	16	24	23	\$1,015

- Includes 3" high recessed plinth with concealed adjustable glides.
- Accommodates letter-size filing front to back, or legal-size filing side to side.
- See page 56 for option to add fabric cushion.

25" High Stationary Box/Box/File Pedestal



Model Number	Width	Depth	Height	Price
SY-SBBF-1916	16	19	25	\$931
SY-SBBF-2416	16	24	25	\$1,005

- Includes adjustable glides.
- Lock standard.
- Accommodates letter-size filing front to back, or legal-size filing side to side.

28" High Stationary Box/Box/File Pedestal



Model Number	Width	Depth	Height	Price
SY-SBBP-1916	16	19	28	\$1,117
SY-SBBP-2416	16	24	28	\$1,192

- Lock standard.
- Includes 3" high recessed plinth with concealed adjustable glides.
- Accommodates letter-size filing front to back, or legal-size filing side to side.

25" High Stationary File/File Pedestal



Model Number	Width	Depth	Height	Price
SY-SFFL-1916	16	19	25	\$931
SY-SFFL-2416	16	24	25	\$1,005

- Includes adjustable glides.
- Lock standard.
- Accommodates letter-size filing front to back, or legal-size filing side to side.

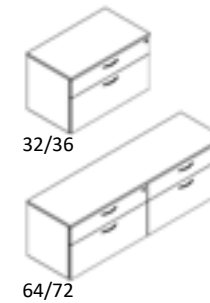
28" High Stationary File/File Pedestal



Model Number	Width	Depth	Height	Price
SY-SFFP-1916	16	19	28	\$1,117
SY-SFFP-2416	16	24	28	\$1,192

- Lock standard.
- Includes 3" high recessed plinth with concealed adjustable glides.
- Accommodates letter-size filing front to back, or legal-size filing side to side.

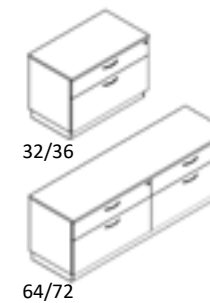
20" High Box/Lateral Credenza



Model Number	Width	Depth	Height	Price
SY-BLFL-1932	32	19	20	\$1,164
SY-BLFL-2432	32	24	20	\$1,272
SY-BLFL-1936	36	19	20	\$1,323
SY-BLFL-2436	36	24	20	\$1,447
SY-BLFL-1964	64	19	20	\$2,051
SY-BLFL-2464	64	24	20	\$2,194
SY-BLFL-1972	72	19	20	\$2,332
SY-BLFL-2472	72	24	20	\$2,526

- Includes adjustable glides.
- Lock standard.
- Lateral file drawer allows for two rows front to back legal or letter filing or one row of side to side legal filing.
- On 24" deep credenzas, case is deeper but drawers are same depth as 19" case.
- See page 56 for option to add fabric cushion.

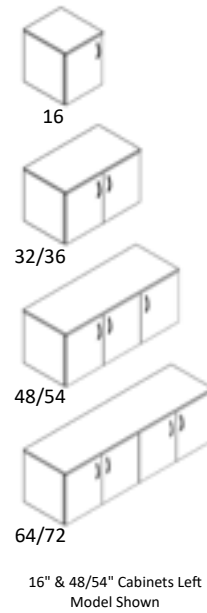
23" High Box/Lateral Credenza



Model Number	Width	Depth	Height	Price
SY-BLFP-1932	32	19	23	\$1,353
SY-BLFP-2432	32	24	23	\$1,460
SY-BLFP-1936	36	19	23	\$1,511
SY-BLFP-2436	36	24	23	\$1,635
SY-BLFP-1964	64	19	23	\$2,239
SY-BLFP-2464	64	24	23	\$2,410
SY-BLFP-1972	72	19	23	\$2,518
SY-BLFP-2472	72	24	23	\$2,714

- Includes 3" high recessed plinth with concealed adjustable glides.
- Lock standard.
- Lateral file drawer allows for two rows front to back legal or letter filing or one row of side to side legal filing.
- On 24" deep credenzas, case is deeper but drawers are same depth as 19" case.
- See page 56 for option to add fabric cushion.

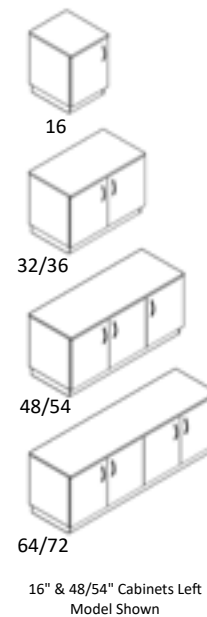
20" High Hinged Door Credenza



Model Number	Width	Depth	Height	Price	
Left Model	Right Model				
SY-DRCL-1916-L	SY-DRCL-1916-R	16	19	20	\$764
SY-DRCL-2416-L	SY-DRCL-2416-R	16	24	20	\$813
SY-DRCL-1932		32	19	20	\$1,125
SY-DRCL-2432		32	24	20	\$1,233
SY-DRCL-1936		36	19	20	\$1,279
SY-DRCL-2436		36	24	20	\$1,400
SY-DRCL-1948-L	SY-DRCL-1948-R	48	19	20	\$1,622
SY-DRCL-2448-L	SY-DRCL-2448-R	48	24	20	\$1,751
SY-DRCL-1954-L	SY-DRCL-1954-R	54	19	20	\$1,845
SY-DRCL-2454-L	SY-DRCL-2454-R	54	24	20	\$1,990
SY-DRCL-1964		64	19	20	\$1,969
SY-DRCL-2464		64	24	20	\$2,141
SY-DRCL-1972		72	19	20	\$2,239
SY-DRCL-2472		72	24	20	\$2,435

- Includes adjustable glides.
- Single shelf per bay included. For each extra shelf -- use OP-SHLF-2 for \$185.
- Lock NOT standard. For lock on doors per bay, add OP-LOCK-2 for \$127.
- See page 56 for option to add fabric cushion.

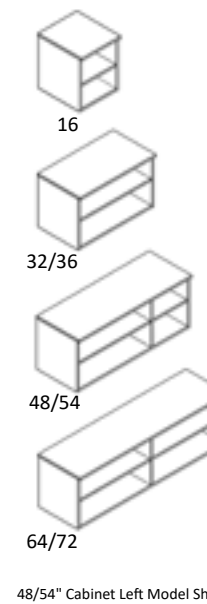
23" High Hinged Door Credenza



Model Number	Width	Depth	Height	Price	
Left Model	Right Model				
SY-DRCP-1916-L	SY-DRCP-1916-R	16	19	23	\$951
SY-DRCP-2416-L	SY-DRCP-2416-R	16	24	23	\$1,003
SY-DRCP-1932		32	19	23	\$1,311
SY-DRCP-2432		32	24	23	\$1,420
SY-DRCP-1936		36	19	23	\$1,464
SY-DRCP-2436		36	24	23	\$1,588
SY-DRCP-1948-L	SY-DRCP-1948-R	48	19	23	\$1,810
SY-DRCP-2448-L	SY-DRCP-2448-R	48	24	23	\$1,938
SY-DRCP-1954-L	SY-DRCP-1954-R	54	19	23	\$2,032
SY-DRCP-2454-L	SY-DRCP-2454-R	54	24	23	\$2,178
SY-DRCP-1964		64	19	23	\$2,157
SY-DRCP-2464		64	24	23	\$2,330
SY-DRCP-1972		72	19	23	\$2,426
SY-DRCP-2472		72	24	23	\$2,620

- Includes 3" high recessed plinth with concealed adjustable glides.
- Single shelf per bay included. For each extra shelf -- use OP-SHLF-2 for \$185.
- Lock NOT standard. For lock on doors per bay, add OP-LOCK-2 for \$127.
- See page 56 for option to add fabric cushion.

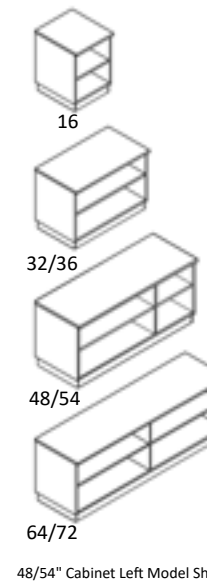
20" High Open Storage Credenza



Model Number	Width	Depth	Height	Price	
SY-BKCL-1916	16	19	20	\$704	
SY-BKCL-2416	16	24	20	\$764	
SY-BKCL-1932	32	19	20	\$973	
SY-BKCL-2432	32	24	20	\$1,055	
SY-BKCL-1936	36	19	20	\$1,106	
SY-BKCL-2436	36	24	20	\$1,199	
SY-BKCL-1948-L	SY-BKCL-1948-R	48	19	20	\$1,386
SY-BKCL-2448-L	SY-BKCL-2448-R	48	24	20	\$1,491
SY-BKCL-1954-L	SY-BKCL-1954-R	54	19	20	\$1,432
SY-BKCL-2454-L	SY-BKCL-2454-R	54	24	20	\$1,540
SY-BKCL-1964		64	19	20	\$1,642
SY-BKCL-2464		64	24	20	\$1,754
SY-BKCL-1972		72	19	20	\$1,864
SY-BKCL-2472		72	24	20	\$1,994

- Includes adjustable glides.
- Single shelf per bay included. For each extra shelf -- use OP-SHLF-2 for \$185.
- See page 56 for option to add fabric cushion.

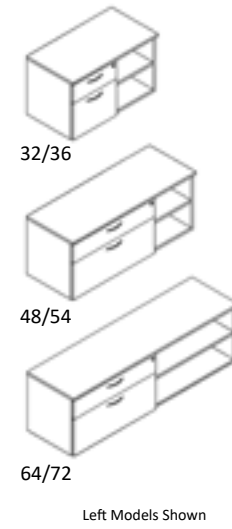
23" High Open Storage Credenza



Model Number	Width	Depth	Height	Price	
SY-BKCP-1916	16	19	23	\$894	
SY-BKCP-2416	16	24	23	\$951	
SY-BKCP-1932	32	19	23	\$1,160	
SY-BKCP-2432	32	24	23	\$1,244	
SY-BKCP-1936	36	19	23	\$1,295	
SY-BKCP-2436	36	24	23	\$1,388	
SY-BKCP-1948-L	SY-BKCP-1948-R	48	19	23	\$1,572
SY-BKCP-2448-L	SY-BKCP-2448-R	48	24	23	\$1,678
SY-BKCP-1954-L	SY-BKCP-1954-R	54	19	23	\$1,618
SY-BKCP-2454-L	SY-BKCP-2454-R	54	24	23	\$1,727
SY-BKCP-1964		64	19	23	\$1,829
SY-BKCP-2464		64	24	23	\$1,941
SY-BKCP-1972		72	19	23	\$2,094
SY-BKCP-2472		72	24	23	\$2,182

- Includes 3" high recessed plinth with concealed adjustable glides.
- Single shelf per bay included. For each extra shelf -- use OP-SHLF-2 for \$185.
- See page 56 for option to add fabric cushion.

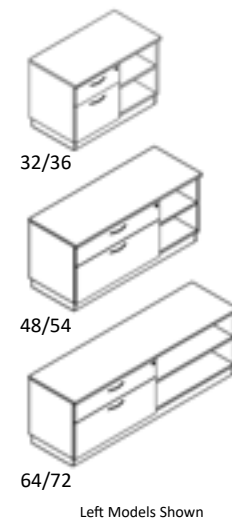
20" High Combination Credenza - Box/Lateral with Open Storage



Model Number	Width	Depth	Height	Price	
Left Model	Right Model				
SY-BLBL-1932-L	SY-BLBL-1932-R	32	19	20	\$1,517
SY-BLBL-2432-L	SY-BLBL-2432-R	32	24	20	\$1,638
SY-BLBL-1936-L	SY-BLBL-1936-R	36	19	20	\$1,517
SY-BLBL-2436-L	SY-BLBL-2436-R	36	24	20	\$1,646
SY-BLBL-1948-L	SY-BLBL-1948-R	48	19	20	\$1,540
SY-BLBL-2448-L	SY-BLBL-2448-R	48	24	20	\$1,669
SY-BLBL-1954-L	SY-BLBL-1954-R	54	19	20	\$1,750
SY-BLBL-2454-L	SY-BLBL-2454-R	54	24	20	\$1,896
SY-BLBL-1964-L	SY-BLBL-1964-R	64	19	20	\$1,772
SY-BLBL-2464-L	SY-BLBL-2464-R	64	24	20	\$1,908
SY-BLBL-1972-L	SY-BLBL-1972-R	72	19	20	\$2,013
SY-BLBL-2472-L	SY-BLBL-2472-R	72	24	20	\$2,169

- Includes adjustable glides.
- Single shelf per bay included. For each extra shelf -- use OP-SHLF-2 for \$185.
- Lock standard on box lateral cabinet.
- Lateral file drawer allows for two rows front to back legal or letter filing, or one row of side to side legal filing.
- On 24" deep credenzas, case is deeper but drawers are same depth as 19" case.
- See page 56 for option to add fabric cushion.

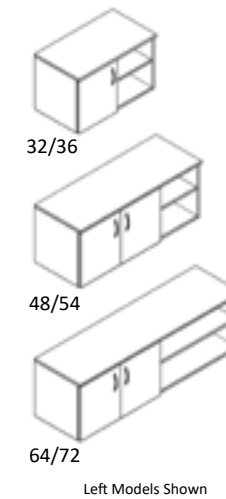
23" High Combination Credenza - Box/Lateral with Open Storage



Model Number	Width	Depth	Height	Price	
Left Model	Right Model				
SY-BLBP-1932-L	SY-BLBP-1932-R	32	19	23	\$1,690
SY-BLBP-2432-L	SY-BLBP-2432-R	32	24	23	\$1,817
SY-BLBP-1936-L	SY-BLBP-1936-R	36	19	23	\$1,705
SY-BLBP-2436-L	SY-BLBP-2436-R	36	24	23	\$1,833
SY-BLBP-1948-L	SY-BLBP-1948-R	48	19	23	\$1,727
SY-BLBP-2448-L	SY-BLBP-2448-R	48	24	23	\$1,856
SY-BLBP-1954-L	SY-BLBP-1954-R	54	19	23	\$1,937
SY-BLBP-2454-L	SY-BLBP-2454-R	54	24	23	\$2,085
SY-BLBP-1964-L	SY-BLBP-1964-R	64	19	23	\$1,959
SY-BLBP-2464-L	SY-BLBP-2464-R	64	24	23	\$2,097
SY-BLBP-1972-L	SY-BLBP-1972-R	72	19	23	\$2,200
SY-BLBP-2472-L	SY-BLBP-2472-R	72	24	23	\$2,357

- Includes 3" high recessed plinth with concealed adjustable glides.
- Single shelf per bay included. For each extra shelf -- use OP-SHLF-2 for \$185.
- Lock standard on box lateral cabinet.
- Lateral file drawer allows for two rows front to back legal or letter filing, or one row of side to side legal filing.
- On 24" deep credenzas, case is deeper but drawers are same depth as 19" case.
- See page 56 for option to add fabric cushion.

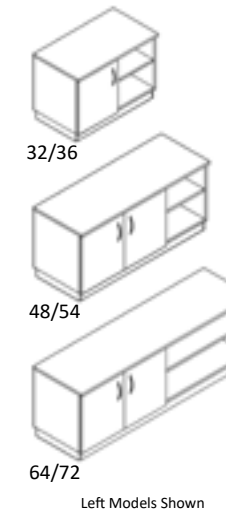
20" High Combination Credenza - Hinged Door with Open Storage



Model Number	Width	Depth	Height	Price	
Left Model	Right Model				
SY-DBKL-1932-L	SY-DBKL-1932-R	32	19	20	\$1,188
SY-DBKL-2432-L	SY-DBKL-2432-R	32	24	20	\$1,274
SY-DBKL-1936-L	SY-DBKL-1936-R	36	19	20	\$1,350
SY-DBKL-2436-L	SY-DBKL-2436-R	36	24	20	\$1,448
SY-DBKL-1948-L	SY-DBKL-1948-R	48	19	20	\$1,499
SY-DBKL-2448-L	SY-DBKL-2448-R	48	24	20	\$1,630
SY-DBKL-1954-L	SY-DBKL-1954-R	54	19	20	\$1,704
SY-DBKL-2454-L	SY-DBKL-2454-R	54	24	20	\$1,850
SY-DBKL-1964-L	SY-DBKL-1964-R	64	19	20	\$1,733
SY-DBKL-2464-L	SY-DBKL-2464-R	64	24	20	\$1,867
SY-DBKL-1972-L	SY-DBKL-1972-R	72	19	20	\$1,966
SY-DBKL-2472-L	SY-DBKL-2472-R	72	24	20	\$2,122

- Includes adjustable glides.
- Single shelf per bay included. For each extra shelf -- use OP-SHLF-2 for \$185.
- Lock NOT standard. For lock on doors per bay, add OP-LOCK-2 for \$127.
- See page 56 for option to add fabric cushion.

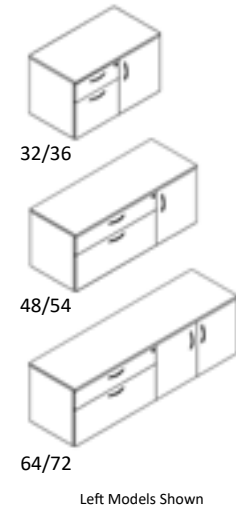
23" High Combination Credenza - Hinged Door with Open Storage



Model Number	Width	Depth	Height	Price	
Left Model	Right Model				
SY-DBKP-1932-L	SY-DBKP-1932-R	32	19	23	\$1,375
SY-DBKP-2432-L	SY-DBKP-2432-R	32	24	23	\$1,462
SY-DBKP-1936-L	SY-DBKP-1936-R	36	19	23	\$1,537
SY-DBKP-2436-L	SY-DBKP-2436-R	36	24	23	\$1,637
SY-DBKP-1948-L	SY-DBKP-1948-R	48	19	23	\$1,686
SY-DBKP-2448-L	SY-DBKP-2448-R	48	24	23	\$1,815
SY-DBKP-1954-L	SY-DBKP-1954-R	54	19	23	\$1,891
SY-DBKP-2454-L	SY-DBKP-2454-R	54	24	23	\$2,038
SY-DBKP-1964-L	SY-DBKP-1964-R	64	19	23	\$1,919
SY-DBKP-2464-L	SY-DBKP-2464-R	64	24	23	\$2,055
SY-DBKP-1972-L	SY-DBKP-1972-R	72	19	23	\$2,155
SY-DBKP-2472-L	SY-DBKP-2472-R	72	24	23	\$2,309

- Includes 3" high recessed plinth with concealed adjustable glides.
- Single shelf per bay included. For each extra shelf -- use OP-SHLF-2 for \$185.
- Lock NOT standard. For lock on doors per bay, add OP-LOCK-2 for \$127.
- See page 56 for option to add fabric cushion.

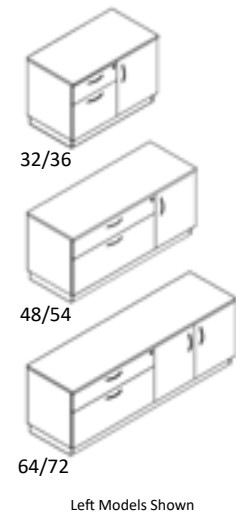
20" High Combination Credenza - Box/Lateral with Hinged Door



Model Number	Width	Depth	Height	Price	
Left Model	Right Model				
SY-BLDL-1932-L	SY-BLDL-1932-R	32	19	20	\$1,618
SY-BLDL-2432-L	SY-BLDL-2432-R	32	24	20	\$1,752
SY-BLDL-1936-L	SY-BLDL-1936-R	36	19	20	\$1,642
SY-BLDL-2436-L	SY-BLDL-2436-R	36	24	20	\$1,770
SY-BLDL-1948-L	SY-BLDL-1948-R	48	19	20	\$1,665
SY-BLDL-2448-L	SY-BLDL-2448-R	48	24	20	\$1,791
SY-BLDL-1954-L	SY-BLDL-1954-R	54	19	20	\$1,891
SY-BLDL-2454-L	SY-BLDL-2454-R	54	24	20	\$2,036
SY-BLDL-1964-L	SY-BLDL-1964-R	64	19	20	\$2,009
SY-BLDL-2464-L	SY-BLDL-2464-R	64	24	20	\$2,183
SY-BLDL-1972-L	SY-BLDL-1972-R	72	19	20	\$2,285
SY-BLDL-2472-L	SY-BLDL-2472-R	72	24	20	\$2,480

- Includes adjustable glides.
- Single shelf per bay included. For each extra shelf -- use OP-SHLF-2 for \$185.
- Lock standard on box lateral cabinet. For lock on doors per bay, add OP-LOCK-2 for \$127.
- Lateral file drawer allows for two rows front to back legal or letter filing, or one row of side to side legal filing.
- On 24" deep credenzas, case is deeper but drawers are same depth as 19" case.
- See page 56 for option to add fabric cushion.

23" High Combination Credenza - Box/Lateral with Hinged Door



Model Number	Width	Depth	Height	Price	
Left Model	Right Model				
SY-BLDP-1932-L	SY-BLDP-1932-R	32	19	23	\$1,809
SY-BLDP-2432-L	SY-BLDP-2432-R	32	24	23	\$1,941
SY-BLDP-1936-L	SY-BLDP-1936-R	36	19	23	\$1,829
SY-BLDP-2436-L	SY-BLDP-2436-R	36	24	23	\$1,957
SY-BLDP-1948-L	SY-BLDP-1948-R	48	19	23	\$1,852
SY-BLDP-2448-L	SY-BLDP-2448-R	48	24	23	\$1,980
SY-BLDP-1954-L	SY-BLDP-1954-R	54	19	23	\$2,078
SY-BLDP-2454-L	SY-BLDP-2454-R	54	24	23	\$2,223
SY-BLDP-1964-L	SY-BLDP-1964-R	64	19	23	\$2,198
SY-BLDP-2464-L	SY-BLDP-2464-R	64	24	23	\$2,370
SY-BLDP-1972-L	SY-BLDP-1972-R	72	19	23	\$2,472
SY-BLDP-2472-L	SY-BLDP-2472-R	72	24	23	\$2,666

- Includes 3" high recessed plinth with concealed adjustable glides.
- Single shelf per bay included. For each extra shelf -- use OP-SHLF-2 for \$185.
- Lock standard on box lateral cabinet. For lock on doors per bay, add OP-LOCK-2 for \$127.
- Lateral file drawer allows for two rows front to back legal or letter filing, or one row of side to side legal filing.
- On 24" deep credenzas, case is deeper but drawers are same depth as 19" case.
- See page 56 for option to add fabric cushion.

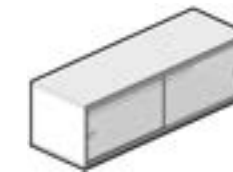
Storage Cubby - Cantilevering Open Cubby



Model Number	Width	Depth	Height	Price
SY-HCU1-1448	48	14	16	\$989
SY-HCU1-1460	60	14	16	\$1,071

- Units have 1-1/8" bottom, 3/4" sides, and 3/4" top.

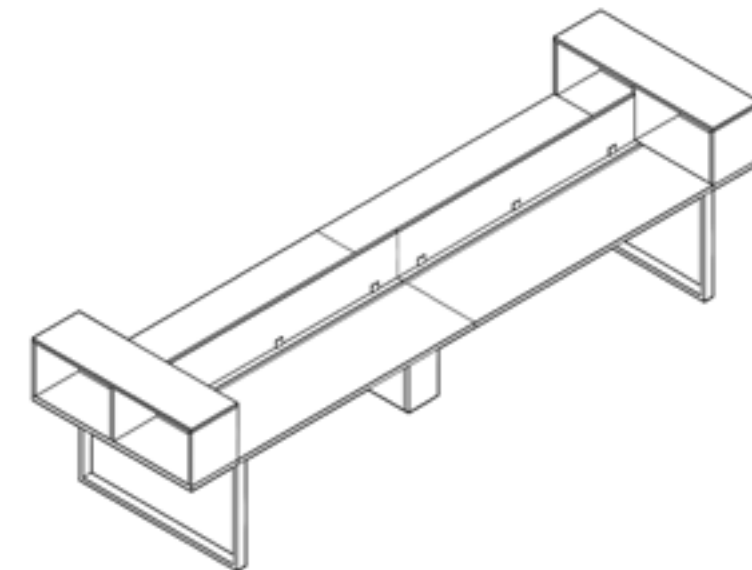
Storage Cubby - Cantilevering Cubby with Sliding Doors



Model Number	Width	Depth	Height	Frosted Acrylic (A)	Acid-Etched Glass (G)
SY-HCU2-1448-?	48	14	16	\$1,367	\$1,440
SY-HCU2-1460-?	60	14	16	\$1,445	\$1,521

- Units have 1-1/8" bottom, 3/4" sides, and 3/4" top.
 - Decorative acrylic and glass options available on a per-quote basis. Contact customer service.

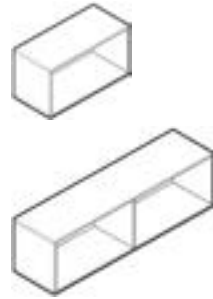
Additional Information about Cantilevering Cubbies



- Cantilevering cubbies may face inward or outward.
- Cubby width must match the depth of bench.
- Must be specified with cantilevering support legs.

Open Overhead Cubby

For Use with Metal Support Legs

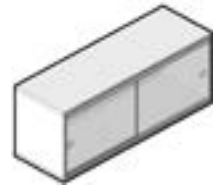


Model Number	Width	Depth	Height	Price
No Center Partition				
SY-SHS1-1418	18	14	15	\$663
SY-SHS1-1424	24	14	15	\$680
SY-SHS1-1430	30	14	15	\$715
SY-SHS1-1436	36	14	15	\$766
SY-SHS1-1442	42	14	15	\$813
Center Partition				
SY-SHS1-1448	48	14	15	\$863
SY-SHS1-1454	54	14	15	\$1,020
SY-SHS1-1460	60	14	15	\$1,062
SY-SHS1-1466	66	14	15	\$1,105
SY-SHS1-1472	72	14	15	\$1,149

- Units have all 3/4" material.
- Single run benches with 72", 78" and 84" worksurfaces and a surface-mounted cubby require a middle of run support leg and two lateral worksurface connecting brackets.

Overhead Cubby with Sliding Doors

For Use with Metal Support Legs

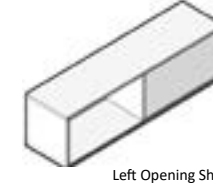


Model Number	Width	Depth	Height	Frosted Acrylic (A)	Acid-Etched Glass (G)
SY-SHS2-1436-?	36	14	15	\$1,149	\$1,204
SY-SHS2-1442-?	42	14	15	\$1,319	\$1,386
SY-SHS2-1448-?	48	14	15	\$1,377	\$1,447
SY-SHS2-1454-?	54	14	15	\$1,420	\$1,494
SY-SHS2-1460-?	60	14	15	\$1,462	\$1,536
SY-SHS2-1466-?	66	14	15	\$1,505	\$1,579
SY-SHS2-1472-?	72	14	15	\$1,548	\$1,626

- Units have all 3/4" material.
- Decorative acrylic and glass options available on a per-quote basis. Contact customer service.
- Single run benches with 72", 78" and 84" worksurfaces and a surface-mounted cubby require a middle of run support leg and two lateral worksurface connecting brackets.

Shared Open Overhead Cubby

For Use with Metal Support Legs



Model Number	Width	Depth	Height	Price	
Left Opening					
Right Opening					
SY-SHS5-1430-L	SY-SHS5-1430-R	30	14	15	\$884
SY-SHS5-1436-L	SY-SHS5-1436-R	36	14	15	\$937
SY-SHS5-1442-L	SY-SHS5-1442-R	42	14	15	\$1,062
SY-SHS5-1448-L	SY-SHS5-1448-R	48	14	15	\$1,105
SY-SHS5-1454-L	SY-SHS5-1454-R	54	14	15	\$1,149
SY-SHS5-1460-L	SY-SHS5-1460-R	60	14	15	\$1,191
SY-SHS5-1466-L	SY-SHS5-1466-R	66	14	15	\$1,233
SY-SHS5-1472-L	SY-SHS5-1472-R	72	14	15	\$1,274

- Units have all 3/4" material.
- Units have openings on both sides so it can be placed in center of workstations facing each other.
- Add TX-OPTN-CBWB for \$170 for dry erase whiteboard material on the back of one side. (Use quantity of two for both sides.)
- Add TX-OPTN-CBTB-? for fabric tackboard on the back of one side, where '?' represents fabric grade. Grade 1: \$348, Grade 2: \$424, Grade 3: \$493, Grade 4: \$552. See website for fabrics.
- Single run benches with 72", 78" and 84" worksurfaces and a surface-mounted cubby require a middle of run support leg and two lateral worksurface connecting brackets.

1-Inch Square, 3-3/8" High Support Leg

For Overhead Cubby Support



Model Number	Price
TX-SLEG-02	\$62

- Leg is 1" square.
- Used to support a cubby unit resting on a storage cabinet or worksurface.
- Add TX-OPTN-AKIT for \$10 for set of two special attachment screws to permanently affix leg to storage cabinet or worksurface.

1-Inch Square, 8-3/8" High Support Leg

For Overhead Cubby Support



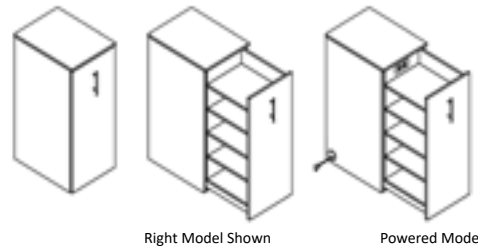
Model Number	Price
TX-SLEG-03	\$80

- Leg is 1" square.
- Used to support a cubby unit resting on a Storage Cabinet or Worksurface.
- Add TX-OPTN-AKIT for \$10 for set of two special attachment screws to permanently affix leg to storage cabinet or worksurface.

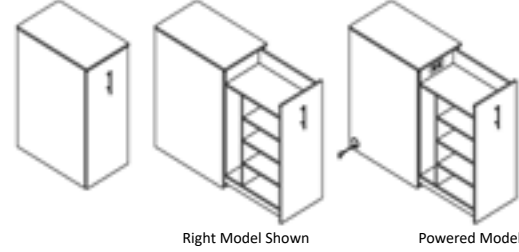
Personal Storage Tower - Shelf Storage Model

Single Pull-Out Door

24" Model



30" Model

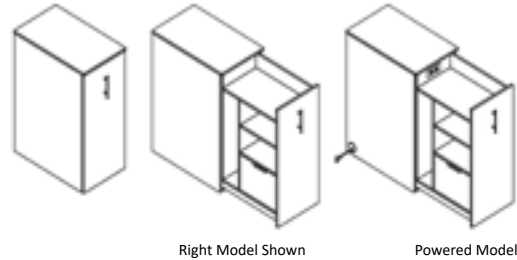


Model Number		Width	Depth	Height	Price
Left Model	Right Model				
SY-PST1-1824-L	SY-PST1-1824-R	18	24	42	\$2,990
SY-PST1-1824-LPWR	SY-PST1-1824-RPWR	18	24	42	\$3,557
SY-PST1-1830-L	SY-PST1-1830-R	18	30	42	\$3,194
SY-PST1-1830-LPWR	SY-PST1-1830-RPWR	18	30	42	\$3,758

- 24" Deep model includes fixed shelf and two adjustable shelves.
- 30" Deep model includes wardrobe with coat hook, fixed shelf and two adjustable shelves.
- Powered model includes power unit with two outlets and two USB charging ports. Power unit has 108" long cord with plug. Power unit is field installed into factory cut hole. Includes 2.5" grommet in side for routing cord.
- Includes adjustable glides.
- Lock NOT standard. For lock on doors per bay, add OP-LOCK-2 for \$127.

Personal Storage Tower - File Storage Model

Single Pull-Out Door

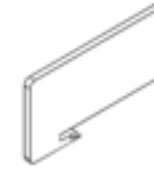


Model Number		Width	Depth	Height	Price
Left Model	Right Model				
SY-PST2-1830-L	SY-PST2-1830-R	18	30	42	\$3,834
SY-PST2-1830-LPWR	SY-PST2-1830-RPWR	18	30	42	\$4,414

- Includes wardrobe with coat hook, fixed shelf, adjustable shelf and one file drawer.
- Powered model includes power unit with two outlets and two USB charging ports. Power unit has 108" long cord with plug. Power unit is field installed into factory cut hole. Includes 2.5" grommet in side for routing cord.
- Includes adjustable glides.
- Lock NOT standard. For lock on doors per bay, add OP-LOCK-2 for \$127.

Slide On Privacy Partition

For Lateral Privacy



Model Number	Height	Length	Length on Worksurface	TFL (T)	HPL (H)
For 21" Deep Worksurfaces					
SY-PRP1-1221-?	12	21	18	\$525	\$852
For 27" Deep Worksurfaces					
SY-PRP1-1227-?	12	27	24	\$569	\$900

- 3/4" thick material with 2MM PVC edgebanding.
- Attached via brackets and wood screws below the worksurface.
- HPL available. Contact customer service for pricing.
- Cannot add tackboards. See Privacy Panel & Tackboards Pricer for more privacy options.

Fabric Wrapped Cushions - 19" Deep



Model Number	Width	Depth	Height	Grade 1	Grade 2	Grade 3	Grade 4
SY-FCSN-1916-GR?	15-1/2	19	2 1/2	\$296	\$373	\$432	\$499
SY-FCSN-1918-GR?	17-5/8	19	2 1/2	\$307	\$386	\$445	\$514
SY-FCSN-1924-GR?	23-5/8	19	2 1/2	\$349	\$420	\$486	\$560
SY-FCSN-1932-GR?	31-1/8	19	2 1/2	\$388	\$467	\$540	\$622
SY-FCSN-1936-GR?	35-7/8	19	2 1/2	\$408	\$493	\$567	\$654
SY-FCSN-1948-GR?	46-7/8	19	2 1/2	\$545	\$657	\$756	\$872
SY-FCSN-1954-GR?	53-7/8	19	2 1/2	\$611	\$738	\$849	\$981
SY-FCSN-1964-GR?	62-1/2	19	2 1/2	\$725	\$875	\$1,008	\$1,163
SY-FCSN-1972-GR?	71-7/8	19	2 1/2	\$814	\$984	\$1,132	\$1,307

- Replace '?' with fabric grade when ordering.

- Mobile pedestal cushions ship attached. Cushions for non-mobile cargo hubs are affixed using factory-supplied velcro.

Fabric Wrapped Cushions - 24" Deep



Model Number	Width	Depth	Height	Grade 1	Grade 2	Grade 3	Grade 4
SY-FCSN-2416-GR?	15-1/2	24	2 1/2	\$323	\$390	\$448	\$514
SY-FCSN-2418-GR?	17-5/8	24	2 1/2	\$335	\$401	\$462	\$530
SY-FCSN-2424-GR?	23-5/8	24	2 1/2	\$362	\$436	\$501	\$579
SY-FCSN-2432-GR?	31-1/8	24	2 1/2	\$398	\$483	\$554	\$639
SY-FCSN-2436-GR?	35-7/8	24	2 1/2	\$417	\$506	\$583	\$669
SY-FCSN-2448-GR?	46-7/8	24	2 1/2	\$557	\$676	\$777	\$895
SY-FCSN-2454-GR?	53-7/8	24	2 1/2	\$627	\$760	\$873	\$1,005
SY-FCSN-2464-GR?	62-1/2	24	2 1/2	\$743	\$902	\$1,036	\$1,191
SY-FCSN-2472-GR?	71-7/8	24	2 1/2	\$836	\$1,013	\$1,164	\$1,339

- Replace '?' with fabric grade when ordering.

- Mobile pedestal cushions ship attached. Cushions for non-mobile cargo hubs are affixed using factory-supplied velcro.

Cushion Use with Synapse Storage Cabinets

Cabinet Size*		Cushion Full Width	Cushion Partial Width
Width	Depth	Model Number	Model Number
16	19	SY-FCSN-1916-GR?	
18	19	SY-FCSN-1918-GR?	
24	19	SY-FCSN-1924-GR?	
32	19	SY-FCSN-1932-GR?	SY-FCSN-1916-GR?
36	19	SY-FCSN-1936-GR?	SY-FCSN-1918-GR?
48	19	SY-FCSN-1948-GR?	SY-FCSN-1932-GR?
54	19	SY-FCSN-1954-GR?	SY-FCSN-1936-GR?
64	19	SY-FCSN-1964-GR?	SY-FCSN-1932-GR?
72	19	SY-FCSN-1972-GR?	SY-FCSN-1936-GR?
16	24	SY-FCSN-2416-GR?	
18	24	SY-FCSN-2418-GR?	
24	24	SY-FCSN-2424-GR?	
32	24	SY-FCSN-2432-GR?	SY-FCSN-2416-GR?
36	24	SY-FCSN-2436-GR?	SY-FCSN-2418-GR?
48	24	SY-FCSN-2448-GR?	SY-FCSN-2432-GR?
54	24	SY-FCSN-2454-GR?	SY-FCSN-2436-GR?
64	24	SY-FCSN-2464-GR?	SY-FCSN-2432-GR?
72	24	SY-FCSN-2472-GR?	SY-FCSN-2436-GR?

*Cabinet sizes listed are nominal. Actual sizes will vary.

Fabrics for Cushions and Tackboards

Only those fabrics shown on the DeskMakers website are available through DeskMakers. All other fabrics will be considered COM, and can be ordered directly from the manufacturer and shipped to the DeskMakers factory for use with your order.

Fabric samples can be ordered directly from the manufacturer by following the links provided on the DeskMakers website under "Resources". <https://deskmakers.com/resources/materials/fabrics>

Please visit [Deskmakers.com](https://deskmakers.com) to view our current **Terms and Conditions**.

Please visit [Deskmakers.com](https://deskmakers.com) to view our current **Warranty**.

Showroom Locations

Los Angeles

DeskMakers Headquarters
6525 Flotilla Street
Commerce, CA 90040

DeskMakers

Phone: 323.264.2260 | Fax: 323.725.6960
www.deskmakers.com