



tables

PRICE & SPECIFICATION GUIDE

meeting

cafe

training

occasional

storage

Version: 1.07.26

prices effective January 1, 2026

DeskMakers

revisions

06/26/19	Price adjustments and corrections
07/02/19	Price corrections
07/18/19	Price corrections
07/31/19	Corrected Model Numbers
08/08/19	Corrected Torrey colors
09/18/19	Discontinued Fletcher and Redondo bases
12/10/19	Updated Beacon and Mission bases
01/01/21	Updated pricing and finishes
03/05/21	Discontinued Laguna Bases and select wood edges
04/02/21	Adjusted pricing on Newport and Cabrillo bases
08/09/21	Added Ribbon Collection
09/01/21	Updated finishes
12/20/21	Updated pricing and finishes
03/31/22	Updated select pricing and skus
08/18/22	Added surcharge note, updated TFL sizes
12/01/22	Updated pricing
10/18/23	Updated finishes
03/15/24	Updated pricing
08/30/24	Updated finishes and pulls
12/01/24	Updated pricing
11/03/25	Updated pricing
01/07/26	Corrected errors on the Sunset Collection pages

table of contents

Finishes	4
Pulls	5
Meeting Tables	6-102
Cafe Tables	103-118
Training Tables	119-145
Occasional Tables	146-164
Storage	165-169
Terms and Conditions	170
Warranty	171

laminates finishes

thermofuse laminate (TFL)

Pricing shown in this price list applies only to TFL finishes currently included in the DeskMakers finish collection. For the most accurate finish list please see deskmakers.com.

high pressure laminate (HPL)

Pricing shown in this price list applies only to non-premium HPLs as follows:

- Wilsonart: Solids, Woodgrains, and Abstracts in Matte (-60) finish,
- Formica: Color Portfolio, Woodgrains, and Patterns in Matte (-58) finish
- Pionite: Solids, Woodgrains, and Abstracts in Suede (N) finish
- Arborite: Solids, Woodgrains, Textures and Abstracts in Matte (CA) finish
- Nevamar: Solids, Woodgrains, Stones and Abstracts in ARP (-T) finish

A minimum charge of \$573 net per HPL color will be applied to each order.

Call customer service for pricing for all other HPLs.

Additional lead times required for HPL orders depending on material availability and order complexity.

high pressure laminate (HPL) pricing chart

Most DeskMakers product is made of Thermofuse laminate (TFL). As such, there is an upcharge for ordering product in high pressure laminate (HPL). This upcharge varies based on the product and the size of the HPL order.

Please note that only the portion of the order in HPL will be calculated to determine the level of HPL upcharges.

HPL is always available with DeskMakers standard 2MM edgebanding. Special order matching PVC 2MM edgebanding may be available for orders \$25,000 List or larger, call customer service for pricing.

Product Category	Option Code	HPL UPCHARGE
WORKSURFACES All Shapes Top surface HPL	OP-HPL1-25-??	60%
CASEGOODS Top HPL only, balance TFL	OP-HPL1-1-??	25%
CASEGOODS Entire Unit HPL	OP-HPL1-4-??	120%
CASEGOODS HPL Drawer Fronts only	OP-HPL1-2-??	20%
CASEGOODS Top HPL and HPL Drawer Fronts	OP-HPL1-3-??	30%

pulls & hardware

standard pulls

Pulls are included on all drawers and cabinet doors for no upcharge.



101SN



101BL



105SN*



103SN



103SN



107SN*



115SN



115BL



201SN



125SN*



125BL*



201BL

*The 125SN/BL pull is 7.5" long. On lateral file drawers and larger cabinet doors a longer 12.5" pull in the same style will be used. This may be identified as a "127SN/BL" pull on your acknowledgment.

* 105 and 107 pulls are only available in the silver nickel 'SN' finish.

meeting

table of contents

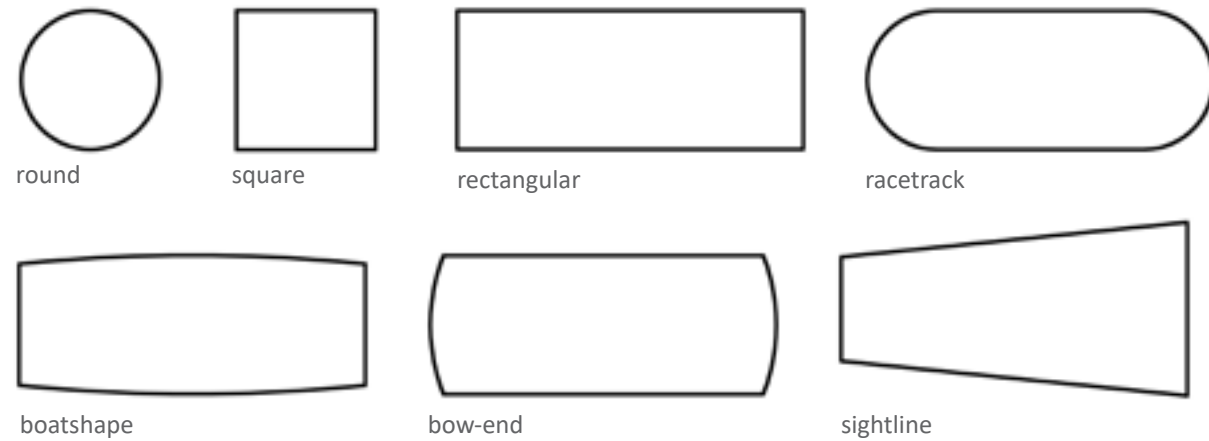


Meeting Table Tops	6-29
Malibu	30-41
Torrance	42-45
Imperial	46-49
Komo	50-57
Hermosa	58-59
Ribbon	60-63
Surfside	64-69
Sunset	70-73
Beacon	74-77
Mission	78-79
Newport	80-81
Cabrillo	82-83
Venice	84-97
Torrey	98-102

meeting table tops



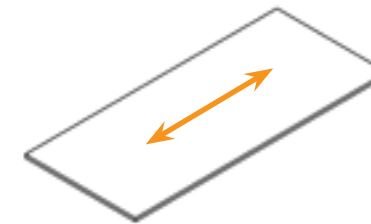
meeting and conference tables



finishes

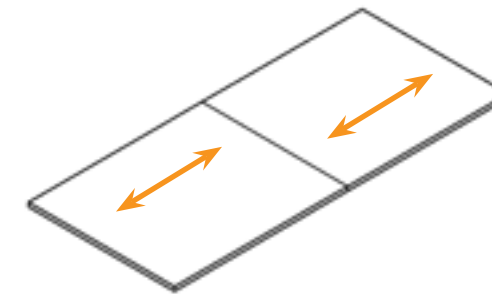
- 1-1/8" & 1-7/8" thick thermally fused laminate (TFL) with multiple edge options
- 1-1/8" & 1-7/8" thick high pressure laminate (HPL) with multiple edge options
- 1" thick HPL with exposed plywood core
- 1-1/8" thick HPL with MDF core and PVC knife edge

one piece tops



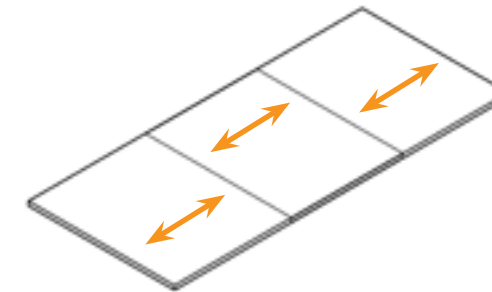
top shapes:
round, square, rectangular, racetrack, boatshape, bow-end and sightline
grain direction:
grain direction runs length of the table
dimensions:
depths: 36", 42" and 48"
lengths: 72", 84", 96" and 120"

two piece tops



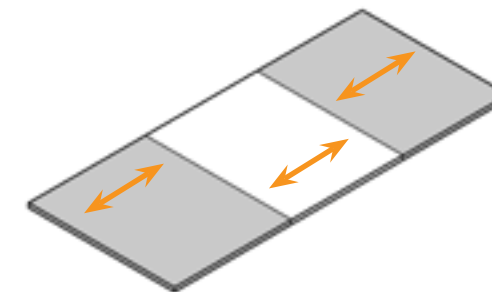
top shapes:
rectangular, racetrack, boatshape, bow-end and sightline
grain direction:
grain direction runs length of the table
grain pattern will not line up at the seam
construction:
table tops are divided into two equal sections
assembled with tite-joint fasteners and alignment biscuits
dimensions:
depths: 48", 54" and 60"
lengths: 120", 144", 168", 192", 216" and 240"

three piece tops



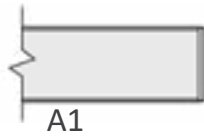
top shapes:
rectangular, racetrack, boatshape, bow-end and sightline
grain direction:
grain direction runs length of the table
grain pattern will not line up at the seam
construction:
table tops are divided into two equal sections
assembled with tite-joint fasteners and alignment biscuits
dimensions:
depths: 48", 54" and 60"
lengths: 216" and 240"

multifinish tops



top shapes:
rectangular, racetrack, boatshape, bow-end and sightline
grain direction:
grain direction runs length of the table
grain pattern will not line up at the seam
construction:
table tops are divided into two equal sections
assembled with tite-joint fasteners and alignment biscuits
dimensions:
depths: 48", 54" and 60"
lengths: 120", 144", 168", 192", 216" and 240"

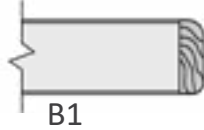
edges



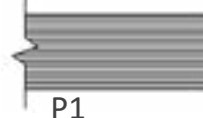
group a
1-1/8" thick top
2mm PVC edge



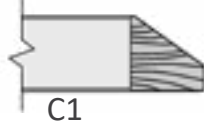
group k
1-1/8" thick MDF top
2mm PVC Knife edge



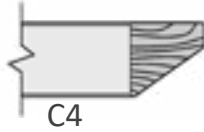
group b
1-1/8" thick top
3/8" solid wood edge



group p
1" thick top
exposed plywood edge



group c
1-1/8" thick top
1-1/8" solid wood edge



C4

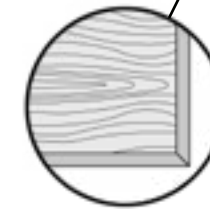
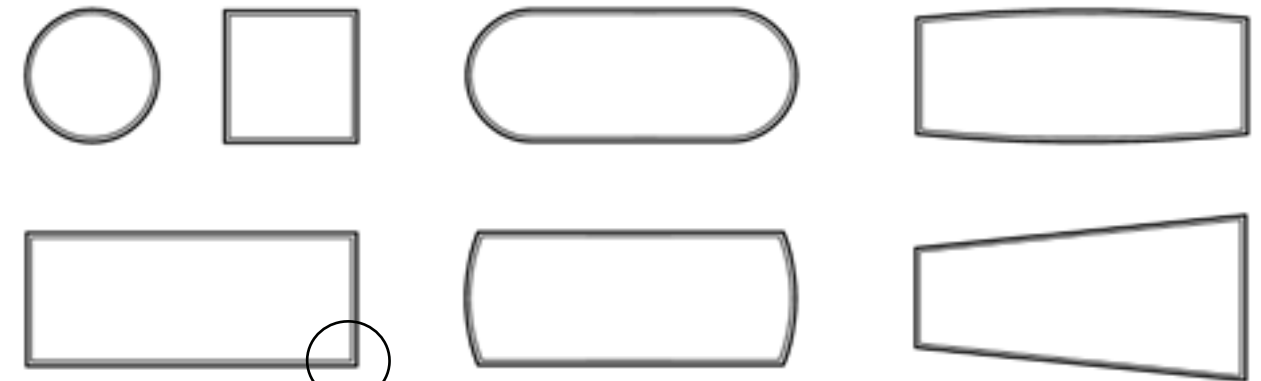


E1

group e
1-7/8" thick top
2mm PVC edge

user edges both with and without solid wood edges

Shading indicates user edges. Wood edges add to the dimensions of the table top.

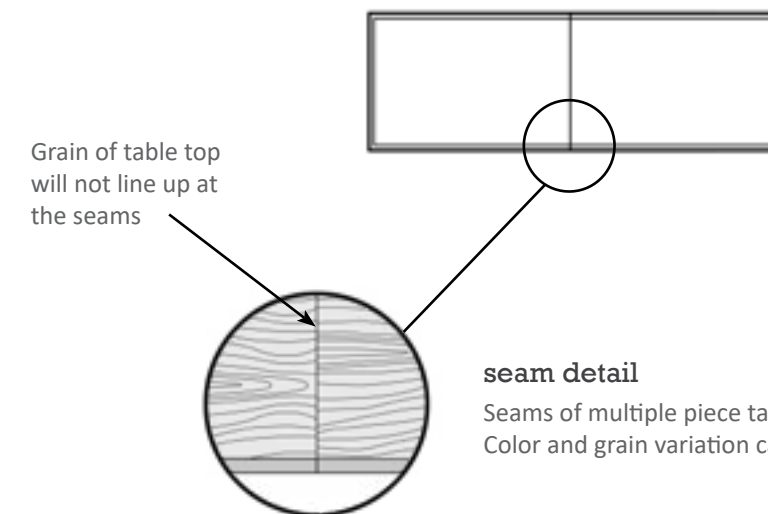


corner detail

A frame will be visible on the surface of the table top when solid wood edges are specified. Color will be matched to table top finish, however slight differences in shade and grain may be evident.

Solid wood edges are not available in white, black or solid grey.

seams of multiple piece table tops



Grain of table top will not line up at the seams

seam detail

Seams of multiple piece table tops will have multiple pieces of wood edges. Color and grain variation can occur from piece to piece.

power grommets

Power grommet and location applicability depends on the table size and the base specified. See the Conference Table Grommet Guide for information.

AC-DPGR-92

- (2) power outlets
- (1) 2.1A USB-A charging port
- (1) 60-watt USB-C charging port
- (1) convenience outlet on bottom
- (1) cutout for interface plate (not included)
- (2) RJ-45 keystone knock outs (jacks not included)
- (2) Cord Pass Throughs
- 144" long 15amp plug cord
- Available finishes: Black, Silver, White and Brushed Aluminum



Model Number	Color	Price
AC-DPGR-92-BK	black	\$1,192
AC-DPGR-92-SV	silver	\$1,192
AC-DPGR-92-WT	white	\$1,192
AC-DPGR-92-ST	brushed aluminum	\$1,705

AC-DPGR-94

- (2) power outlets
- (1) 2.1A USB-A charging port
- (1) 60-watt USB-C charging port
- (1) convenience outlet on bottom
- (2) RJ-45 keystone knock outs (jacks not included)
- (2) Cord Pass Throughs
- 144" long 15amp plug cord
- Available finishes: Black, Silver, White and Brushed Aluminum



Model Number	Color	Price
AC-DPGR-94-BK	black	\$1,296
AC-DPGR-94-SV	silver	\$1,296
AC-DPGR-94-WT	white	\$1,296
AC-DPGR-94-ST	brushed aluminum	\$1,862

Please see the electrical pricebook for additional options and product information

AC-DPGR-74*

- (6) power outlets
- (1) 2.1A USB-A charging port
- (1) 60-watt USB-C charging port
- (1) cutout for interface plate (not included)
- (2) 108" long 15amp plug cords
- Available finishes: Black, White, Silver and Brushed Aluminum
- Hardwire version available upon request



*CANNOT be placed inside 18" cylinder bases

Model Number	Color	Price
AC-DPGR-74-BK	black	\$3,178
AC-DPGR-74-SV	silver	\$3,178
AC-DPGR-74-ST	brushed aluminum	\$4,377
AC-DPGR-74-WT	white	\$3,178

AC-DPGR-78

- (3) power outlets
- (2) 2.1A USB charging ports
- (2) 45W USB C charging ports
- (1) RJ-45 keystone jack
- (1) HDMI port
- (1) open data port
- (2) 120" long 15amp plug cords
- Finishes: Silver and White



Model Number	Color	Price
AC-DPGR-78-WT	white	\$2,041
AC-DPGR-78-SV	silver	\$2,041
AC-DPGR-78-BK	black	\$2,480

Please see the electrical pricebook for additional options and product information

round table top

TFL edge options



TFL			
1-1/8" Thick Standard TFL	1-1/8" Thick Standard TFL	1-1/8" Thick Standard TFL	1-7/8" Thick Standard TFL
2mm PVC	3/8" Wood	1-1/8" Wood	2mm PVC
T1-A1	T1-B1	T1-C?	T1-E1
CF-CTRD-3030-??-??	CF-CTRD-3636-??-??	CF-CTRD-4242-??-??	CF-CTRD-4848-??-??
\$637	\$1,141	\$1,405	\$766
CF-CTRD-5454-??-??	CF-CTRD-6060-??-??		
\$1,170	\$1,230		

- For premium TFL, change "T1" to "T2" and add 10%.
- TFL tops with 2mm PVC edges are only available with DeskMakers standard 2MM PVC edgebanding.
- Wood edge will add to the dimensions of top.
- Please see Cleaning and Care Guide for maintenance information.

round table top

HPL edge options

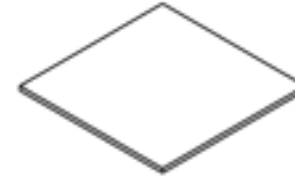


HPL					
1-1/8" Thick Standard HPL	1-1/8" Thick Standard HPL	1-1/8" Thick Standard HPL	1-7/8" Thick Standard HPL	1-1/8" Thick MDF Core	1" Thick Plywood Core
2mm PVC	3/8" Wood	1-1/8" Wood	2mm PVC	2mm PVC Knife	Plywood
H1-A1	H1-B1	H1-C?	H1-E1	H1-K4	H1-P4
CF-CTRD-3030-??-??	CF-CTRD-3636-??-??	CF-CTRD-4242-??-??	CF-CTRD-4848-??-??	CF-CTRD-5454-??-??	CF-CTRD-6060-??-??
\$1,002	\$1,020	\$2,217	\$1,210	\$1,160	\$1,271
\$1,277	\$1,550	\$2,968	\$1,907	\$2,143	\$2,280
\$1,943	\$3,010	\$3,973	\$2,309	\$2,194	\$2,309

- HPL tops with 2mm PVC edges are only available with DeskMakers standard 2MM PVC edgebanding.
- Wood edge will add to the dimensions of top.
- Please see Cleaning and Care Guide for maintenance information.

square table top

TFL edge options

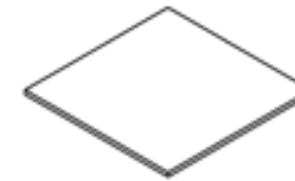


TFL			
1-1/8" Thick Standard TFL	1-1/8" Thick Standard TFL	1-1/8" Thick Standard TFL	1-7/8" Thick Standard TFL
2mm PVC	3/8" Wood	1-1/8" Wood	2mm PVC
T1-A1	T1-B1	T1-C?	T1-E1
CF-CTSQ-3030-??-??	CF-CTSQ-3636-??-??	CF-CTSQ-4242-??-??	CF-CTSQ-4848-??-??
\$558	\$581	\$745	\$919
\$1,093	\$1,664	\$1,735	\$1,267

- For premium TFL, change "T1" to "T2" and add 10%.
- TFL tops with 2mm PVC edges are only available with DeskMakers standard 2MM PVC edgebanding.
- Wood edge will add to the dimensions of top.
- For rounded corners with a 4" radius use OP-EDGE-RND for an additional \$196 per top.
- Please see Cleaning and Care Guide for maintenance information.

square table top

HPL edge options

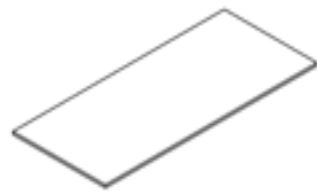


HPL					
1-1/8" Thick Standard HPL	1-1/8" Thick Standard HPL	1-1/8" Thick Standard HPL	1-7/8" Thick Standard HPL	1-1/8" Thick MDF Core	1" Thick Plywood Core
2mm PVC	3/8" Wood	1-1/8" Wood	2mm PVC	2mm PVC Knife	Plywood
H1-A1	H1-B1	H1-C?	H1-E1	H1-K4	H1-P4
CF-CTSQ-3030-??-??	CF-CTSQ-3636-??-??	CF-CTSQ-4242-??-??	CF-CTSQ-4848-??-??	CF-CTSQ-5454-??-??	
\$883	\$918	\$1,177	\$1,452	\$1,726	
\$1,447	\$1,653	\$1,801	\$2,134	\$2,627	
\$1,850	\$1,907	\$2,170	\$2,553	\$2,741	
\$1,103	\$1,140	\$1,430	\$1,808	\$2,001	
\$961	\$1,179	\$1,206	\$1,586	\$2,077	
\$1,093	\$1,448	\$1,640	\$1,814	\$2,143	

- HPL tops with 2mm PVC edges are only available with DeskMakers standard 2MM PVC edgebanding.
- Wood edge will add to the dimensions of top.
- For rounded corners with a 4" radius use OP-EDGE-RND for an additional \$196 per top.
- Please see Cleaning and Care Guide for maintenance information.

rectangular table top

TFL edge options

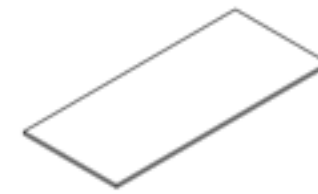


TFL						
		1-1/8" Thick Standard TFL	1-1/8" Thick Standard TFL	1-1/8" Thick Standard TFL	1-7/8" Thick Standard TFL	
		2mm PVC	3/8" Wood	1-1/8" Wood	2mm PVC	
Model Number	Depth	Length	T1-A1	T1-B1	T1-C?	T1-E1
one piece top						
CF-REC1-3672-??-??	36	72	\$890	\$1,664	\$1,735	\$1,033
CF-REC1-4284-??-??	42	84	\$919	\$1,802	\$1,888	\$1,065
CF-REC1-4884-??-??	48	84	\$933	\$1,849	\$1,939	\$1,149
CF-REC1-4296-??-??	42	96	\$1,020	\$1,896	\$2,194	\$1,209
CF-REC1-4896-??-??	48	96	\$1,128	\$1,997	\$2,301	\$1,347
CF-REC1-4820-??-??	48	120	N/A	N/A	N/A	N/A
two piece top						
CF-REC2-4820-??-??	48	120	\$1,939	\$3,141	\$3,256	\$2,250
CF-REC2-4844-??-??	48	144	\$2,263	\$3,359	\$3,798	\$2,636
CF-REC2-4868-??-??	48	168	\$2,710	\$4,027	\$4,554	\$3,161
CF-REC2-4892-??-??	48	192	\$3,175	\$4,712	\$5,325	\$3,693
CF-REC2-4816-??-??	48	216	N/A	N/A	N/A	N/A
CF-REC2-4840-??-??	48	240	N/A	N/A	N/A	N/A
CF-REC2-5444-??-??	54	144	\$2,533	\$3,763	\$4,257	\$2,953
CF-REC2-5468-??-??	54	168	\$2,966	\$4,402	\$4,978	\$3,450
CF-REC2-5492-??-??	54	192	\$3,471	\$5,151	\$5,824	\$4,041
CF-REC2-5416-??-??	54	216	N/A	N/A	N/A	N/A
CF-REC2-5440-??-??	54	240	N/A	N/A	N/A	N/A
CF-REC2-6044-??-??	60	144	\$2,789	\$4,139	\$4,682	\$3,246
CF-REC2-6068-??-??	60	168	\$3,262	\$4,842	\$5,477	\$3,798
CF-REC2-6092-??-??	60	192	\$3,817	\$5,665	\$6,407	\$4,443
CF-REC2-6016-??-??	60	216	N/A	N/A	N/A	N/A
CF-REC2-6040-??-??	60	240	N/A	N/A	N/A	N/A
three piece top						
CF-REC3-4816-??-??	48	216	\$3,941	\$5,768	\$6,487	\$4,562
CF-REC3-4840-??-??	48	240	\$4,506	\$6,597	\$7,432	\$5,216
CF-REC3-5416-??-??	54	216	\$4,356	\$6,383	\$7,187	\$5,047
CF-REC3-5440-??-??	54	240	\$4,984	\$7,306	\$8,235	\$5,773
CF-REC3-6016-??-??	60	216	\$4,773	\$6,996	\$7,886	\$5,530
CF-REC3-6040-??-??	60	240	\$5,464	\$8,016	\$9,040	\$6,328

- For premium TFL, change "T1" to "T2" and add 10%.
- TFL tops with 2mm PVC edges are only available with DeskMakers standard 2MM PVC edgebanding.
- Wood edge will add to the dimensions of top.
- 120" one piece conference table tops not available in all TFL finishes, see pages 4-5 for availability.
- For two piece and three piece table tops, please note that the grain pattern will not line up at the seams.
- Two piece table tops are divided into two equal sections.
- Three piece table tops are divided into three equal sections.
- Tables with sections larger than 96" are available in Southern California and/or will call only.
- For rounded corners with a 4" radius use OP-EDGE-RND for an additional \$196 per top.
- Please see Cleaning and Care Guide for maintenance information.

rectangular table top

HPL edge options

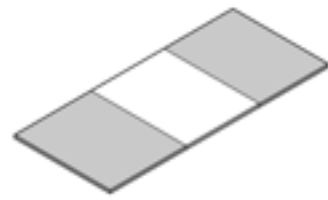


HPL								
		1-1/8" Thick Standard HPL	1-1/8" Thick Standard HPL	1-1/8" Thick Standard HPL	1-7/8" Thick Standard HPL	1-1/8" Thick MDF Core	1" Thick Plywood Core	
		2mm PVC	3/8" Wood	1-1/8" Wood	2mm PVC	2mm PVC Knife	Plywood	
Model Number	Depth	Length	H1-A1	H1-B1	H1-C?	H1-E1	H1-K4	H1-P1
one piece top								
CF-REC1-3672-??-??	36	72	\$1,550	\$2,627	\$2,741	\$1,631	\$2,077	\$2,494
CF-REC1-4284-??-??	42	84	\$1,562	\$2,848	\$2,981	\$1,684	\$2,118	\$2,543
CF-REC1-4884-??-??	48	84	\$1,592	\$2,921	\$3,065	\$1,816	\$2,131	\$2,668
CF-REC1-4296-??-??	42	96	\$1,613	\$2,995	\$3,466	\$1,907	\$2,146	\$2,573
CF-REC1-4896-??-??	48	96	\$1,780	\$3,154	\$3,635	\$2,128	\$2,387	\$2,863
CF-REC1-4820-??-??	48	120	\$2,448	\$4,159	\$4,714	\$2,807	\$3,276	\$3,934
two piece top								
CF-REC2-4820-??-??	48	120	\$3,268	\$4,962	\$5,141	\$3,552	\$3,488	\$4,186
CF-REC2-4844-??-??	48	144	\$3,573	\$5,304	\$5,997	\$4,164	\$3,942	\$5,236
CF-REC2-4868-??-??	48	168	\$4,279	\$6,358	\$7,191	\$4,989	\$4,352	\$5,328
CF-REC2-4892-??-??	48	192	\$5,014	\$7,440	\$8,409	\$5,833	\$4,406	\$5,429
CF-REC2-4816-??-??	48	216	\$6,026	\$8,948	\$10,115	\$7,017	\$5,277	\$7,703
CF-REC2-4840-??-??	48	240	\$6,908	\$10,252	\$11,585	\$8,036	\$5,333	\$7,804
CF-REC2-5444-??-??	54	144	\$4,000	\$5,941	\$6,722	\$4,662	\$5,360	\$6,431
CF-REC2-5468-??-??	54	168	\$4,682	\$6,951	\$7,859	\$5,450	\$6,275	\$7,530
CF-REC2-5492-??-??	54	192	\$5,480	\$8,135	\$9,197	\$6,380	\$7,344	\$8,812
CF-REC2-5416-??-??	54	216	\$6,573	\$9,761	\$11,037	\$7,654	\$8,806	\$10,567
CF-REC2-5440-??-??	54	240	\$7,564	\$11,221	\$12,690	\$8,800	\$10,135	\$12,161
CF-REC2-6044-??-??	60	144	\$4,403	\$6,536	\$7,393	\$5,124	\$5,900	\$7,081
CF-REC2-6068-??-??	60	168	\$5,152	\$7,647	\$8,646	\$5,997	\$6,901	\$8,282
CF-REC2-6092-??-??	60	192	\$6,029	\$8,946	\$10,117	\$7,017	\$8,075	\$9,692
CF-REC2-6016-??-??	60	216	\$7,230	\$10,733	\$12,141	\$8,423	\$9,690	\$11,628
CF-REC2-6040-??-??	60	240	\$8,318	\$12,346	\$13,959	\$9,683	\$11,145	\$13,374
three piece top								
CF-REC3-4816-??-??	48	216	\$6,224	\$9,107	\$10,244	\$7,205	\$6,429	\$7,779
CF-REC3-4840-??-??	48	240	\$7,115	\$10,415	\$11,733	\$8,235	\$6,483	\$7,881
CF-REC3-5416-??-??	54	216	\$6,879	\$10,078	\$11,348	\$7,969	\$9,217	\$11,062
CF-REC3-5440-??-??	54	240	\$7,870	\$11,536	\$13,002	\$9,116	\$10,544	\$12,653
CF-REC3-6016-??-??	60	216	\$7,537	\$11,047	\$12,453	\$8,731	\$10,098	\$12,117
CF-REC3-6040-??-??	60	240	\$8,626	\$12,656	\$14,274	\$9,993	\$11,557	\$13,869

- HPL tops with 2mm PVC edges are only available with DeskMakers standard 2MM PVC edgebanding.
- Wood edge will add to the dimensions of top.
- For two piece and three piece table tops, please note that the grain pattern will not line up at the seams.
- Two piece table tops are divided into two equal sections.
- Three piece table tops are divided into three equal sections.
- Tables with sections larger than 96" are available in Southern California and/or will call only.
- For rounded corners with a 4" radius use OP-EDGE-RND for an additional \$196 per top.
- Please see Cleaning and Care Guide for maintenance information.

multi-finish rectangular table top

TFL edge options



TFL			
1-1/8" Thick Standard TFL	1-1/8" Thick Standard TFL	1-1/8" Thick Standard TFL	1-7/8" Thick Standard TFL
2mm PVC	3/8" Wood	1-1/8" Wood	2mm PVC
Model Number	Depth	Length	
T1-A1	T1-B1	T1-C?	T1-E1
three piece top			
CF-RECM-4820-??	48	120	\$3,324
CF-RECM-4844-??	48	144	\$3,647
CF-RECM-4868-??	48	168	\$4,094
CF-RECM-4892-??	48	192	\$4,559
CF-RECM-4816-??	48	216	\$5,200
CF-RECM-4840-??	48	240	\$5,759
CF-RECM-5444-??	54	144	\$3,916
CF-RECM-5468-??	54	168	\$4,350
CF-RECM-5492-??	54	192	\$4,855
CF-RECM-5416-??	54	216	\$5,545
CF-RECM-5440-??	54	240	\$6,174
CF-RECM-6044-??	60	144	\$4,173
CF-RECM-6068-??	60	168	\$4,646
CF-RECM-6092-??	60	192	\$5,202
CF-RECM-6016-??	60	216	\$5,963
CF-RECM-6040-??	60	240	\$6,651

- For premium TFL, change "T1" to "T2" and add 10%.
- Wood edge will add to the dimensions of top.
- On three piece table tops, please note that the grain pattern will not line up perfectly at the seams.
- Three piece table tops are divided into three equal sections.
- Specify end finish and middle finish on P.O.
- Prices apply to TFL finishes only. For mixing HPL and TFL finishes, contact customer service for pricing.
- For rounded corners with a 4" radius use OP-EDGE-RND for an additional \$196 per top.
- Please see Cleaning and Care Guide for maintenance information.

racetrack table top

TFL edge options



TFL			
1-1/8" Thick Standard TFL	1-1/8" Thick Standard TFL	1-1/8" Thick Standard TFL	1-7/8" Thick Standard TFL
2mm PVC	3/8" Wood	1-1/8" Wood	2mm PVC
Model Number	Depth	Length	
T1-A1	T1-B1	T1-C?	T1-E1
one piece top			
CF-RTR1-3672-??-??	36	72	\$925
CF-RTR1-4284-??-??	42	84	\$993
CF-RTR1-4884-??-??	48	84	\$1,094
CF-RTR1-4296-??-??	42	96	\$1,186
CF-RTR1-4896-??-??	48	96	\$1,291
CF-RTR1-4820-??-??	48	120	N/A
two piece top			
CF-RTR2-4820-??-??	48	120	\$1,978
CF-RTR2-4844-??-??	48	144	\$2,456
CF-RTR2-4868-??-??	48	168	\$2,900
CF-RTR2-4892-??-??	48	192	\$3,386
CF-RTR2-4816-??-??	48	216	N/A
CF-RTR2-4840-??-??	48	240	N/A
CF-RTR2-5444-??-??	54	144	\$2,754
CF-RTR2-5468-??-??	54	168	\$3,220
CF-RTR2-5492-??-??	54	192	\$3,766
CF-RTR2-5416-??-??	54	216	N/A
CF-RTR2-5440-??-??	54	240	N/A
CF-RTR2-6044-??-??	60	144	\$3,026
CF-RTR2-6068-??-??	60	168	\$3,541
CF-RTR2-6092-??-??	60	192	\$4,144
CF-RTR2-6016-??-??	60	216	N/A
CF-RTR2-6040-??-??	60	240	N/A
three piece top			
CF-RTR3-4816-??-??	48	216	\$4,263
CF-RTR3-4840-??-??	48	240	\$4,870
CF-RTR3-5416-??-??	54	216	\$4,714
CF-RTR3-5440-??-??	54	240	\$5,391
CF-RTR3-6016-??-??	60	216	\$5,164
CF-RTR3-6040-??-??	60	240	\$5,911

- For premium TFL, change "T1" to "T2" and add 10%.
- TFL tops with 2mm PVC edges are only available with DeskMakers standard 2MM PVC edgebanding.
- Wood edge will add to the dimensions of top.
- 120" one piece conference table tops not available in all TFL finishes, see pages 4-5 for availability.
- For two piece and three piece table tops, please note that the grain pattern will not line up at the seams.
- Two piece table tops are divided into two equal sections.
- Three piece table tops are divided into three equal sections.
- Tables with sections larger than 96" are available in Southern California and/or will call only.
- Please see Cleaning and Care Guide for maintenance information.

racetrack table top

HPL edge options



		HPL						
		1-1/8" Thick Standard HPL	1-1/8" Thick Standard HPL	1-1/8" Thick Standard HPL	1-7/8" Thick Standard HPL	1-1/8" Thick MDF Core	1" Thick Plywood Core	
		2mm PVC	3/8" Wood	1-1/8" Wood	2mm PVC	2mm PVC Knife	Plywood	
Model Number	Depth	Length	H1-A1	H1-B1	H1-C?	H1-E1	H1-K4	H1-P1
one piece top								
CF-RTR1-3672-??-??	36	72	\$1,577	\$2,838	\$3,705	\$1,750	\$1,958	\$2,351
CF-RTR1-4284-??-??	42	84	\$1,592	\$3,095	\$4,105	\$1,818	\$2,101	\$2,519
CF-RTR1-4884-??-??	48	84	\$1,728	\$3,181	\$4,216	\$2,043	\$2,163	\$2,668
CF-RTR1-4296-??-??	42	96	\$1,875	\$3,329	\$4,371	\$2,129	\$2,512	\$3,014
CF-RTR1-4896-??-??	48	96	\$2,038	\$3,496	\$4,506	\$2,351	\$2,729	\$3,275
CF-RTR1-4820-??-??	48	120	\$2,700	\$4,503	\$5,360	\$3,066	\$3,620	\$4,345
two piece top								
CF-RTR2-4820-??-??	48	120	\$3,308	\$5,294	\$6,639	\$3,624	\$3,827	\$4,591
CF-RTR2-4844-??-??	48	144	\$3,878	\$5,634	\$7,173	\$4,476	\$4,181	\$5,219
CF-RTR2-4868-??-??	48	168	\$4,581	\$6,625	\$7,833	\$5,275	\$4,403	\$5,328
CF-RTR2-4892-??-??	48	192	\$5,346	\$7,752	\$8,709	\$6,171	\$4,464	\$5,429
CF-RTR2-4816-??-??	48	216	\$6,427	\$9,295	\$10,444	\$7,408	\$5,340	\$7,703
CF-RTR2-4840-??-??	48	240	\$7,384	\$10,698	\$12,017	\$8,519	\$5,402	\$7,804
CF-RTR2-5444-??-??	54	144	\$4,349	\$6,293	\$7,064	\$5,009	\$5,826	\$6,991
CF-RTR2-5468-??-??	54	168	\$5,084	\$7,361	\$8,270	\$5,860	\$6,813	\$8,177
CF-RTR2-5492-??-??	54	192	\$5,946	\$8,609	\$9,676	\$6,859	\$7,967	\$9,559
CF-RTR2-5416-??-??	54	216	\$7,139	\$10,332	\$11,608	\$8,230	\$9,565	\$11,479
CF-RTR2-5440-??-??	54	240	\$8,206	\$11,885	\$13,351	\$9,465	\$10,998	\$13,197
CF-RTR2-6044-??-??	60	144	\$4,777	\$6,918	\$7,776	\$5,507	\$6,400	\$7,681
CF-RTR2-6068-??-??	60	168	\$5,590	\$8,096	\$9,094	\$6,446	\$7,491	\$8,989
CF-RTR2-6092-??-??	60	192	\$6,544	\$9,471	\$10,644	\$7,545	\$8,768	\$10,523
CF-RTR2-6016-??-??	60	216	\$7,848	\$11,367	\$12,770	\$9,053	\$10,518	\$12,622
CF-RTR2-6040-??-??	60	240	\$9,028	\$13,071	\$14,687	\$10,405	\$12,099	\$14,518
three piece top								
CF-RTR3-4816-??-??	48	216	\$6,732	\$9,609	\$10,750	\$7,715	\$6,492	\$7,779
CF-RTR3-4840-??-??	48	240	\$7,691	\$11,010	\$12,326	\$8,824	\$6,554	\$7,881
CF-RTR3-5416-??-??	54	216	\$7,442	\$10,645	\$11,918	\$8,540	\$9,973	\$11,968
CF-RTR3-5440-??-??	54	240	\$8,513	\$12,199	\$13,662	\$9,773	\$11,406	\$13,688
CF-RTR3-6016-??-??	60	216	\$8,155	\$11,680	\$13,081	\$9,365	\$10,927	\$13,114
CF-RTR3-6040-??-??	60	240	\$9,334	\$13,386	\$14,999	\$10,722	\$12,507	\$15,009

- HPL tops with 2mm PVC edges are only available with DeskMakers standard 2MM PVC edgbanding.
- Wood edge will add to the dimensions of top.
- For two piece and three piece table tops, please note that the grain pattern will not line up at the seams.
- Two piece table tops are divided into two equal sections.
- Three piece table tops are divided into three equal sections.
- Tables with sections larger than 96" are available in Southern California and/or will call only.
- Please see Cleaning and Care Guide for maintenance information.

multi-finish racetrack table top

TFL edge options

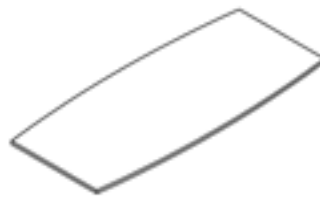


		TFL				
		1-1/8" Thick Standard TFL	1-1/8" Thick Standard TFL	1-1/8" Thick Standard TFL	1-7/8" Thick Standard TFL	
		2mm PVC	3/8" Wood	1-1/8" Wood	2mm PVC	
Model Number	Depth	Length	T1-A1	T1-B1	T1-C?	T1-E1
three piece top						
CF-RTRM-4820-??	48	120	\$3,362	\$4,762	\$5,614	\$3,679
CF-RTRM-4844-??	48	144	\$3,839	\$5,279	\$5,952	\$4,164
CF-RTRM-4868-??	48	168	\$4,285	\$5,605	\$6,370	\$4,725
CF-RTRM-4892-??	48	192	\$4,770	\$6,318	\$6,924	\$5,292
CF-RTRM-4816-??	48	216	\$5,455	\$7,296	\$8,024	\$6,076
CF-RTRM-4840-??	48	240	\$6,060	\$8,184	\$9,020	\$6,780
CF-RTRM-5444-??	54	144	\$4,137	\$5,394	\$6,218	\$4,496
CF-RTRM-5468-??	54	168	\$4,604	\$6,072	\$6,648	\$5,024
CF-RTRM-5492-??	54	192	\$5,148	\$6,864	\$7,537	\$5,647
CF-RTRM-5416-??	54	216	\$5,905	\$7,953	\$8,760	\$6,497
CF-RTRM-5440-??	54	240	\$6,581	\$8,936	\$9,866	\$7,266
CF-RTRM-6044-??	60	144	\$4,409	\$5,791	\$6,335	\$4,807
CF-RTRM-6068-??	60	168	\$4,924	\$6,536	\$7,170	\$5,389
CF-RTRM-6092-??	60	192	\$5,473	\$7,408	\$8,149	\$6,076
CF-RTRM-6016-??	60	216	\$6,355	\$8,626	\$9,497	\$7,009
CF-RTRM-6040-??	60	240	\$7,102	\$9,689	\$10,712	\$7,851

- Wood edge will add to the dimensions of top.
- For premium TFL, change "T1" to "T2" and add 10%.
- On three piece table tops, please note that the grain pattern will not line up perfectly at the seams.
- Three piece table tops are divided into three equal sections.
- Specify end finish and middle finish on P.O.
- Prices apply to TFL finishes only. For mixing HPL and TFL finishes, contact customer service for pricing.
- Please see Cleaning and Care Guide for maintenance information.

boatshaped table top

TFL edge options

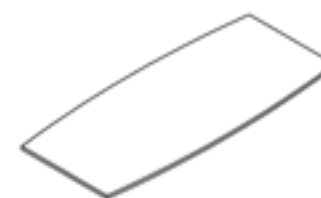


TFL						
		1-1/8" Thick Standard TFL	1-1/8" Thick Standard TFL	1-1/8" Thick Standard TFL	1-7/8" Thick Standard TFL	
		2mm PVC	3/8" Wood	1-1/8" Wood	2mm PVC	
Model Number	Depth	Length	T1-A1	T1-B1	T1-C?	T1-E1
one piece top						
CF-BOT1-3672-??-??	30-36	72	\$925	\$1,798	\$2,565	\$1,088
CF-BOT1-4284-??-??	36-42	84	\$1,051	\$1,960	\$2,820	\$1,131
CF-BOT1-4884-??-??	42-48	84	\$1,155	\$2,015	\$2,617	\$1,270
CF-BOT1-4296-??-??	36-42	96	\$1,186	\$2,107	\$2,987	\$1,324
CF-BOT1-4896-??-??	42-48	96	\$1,291	\$2,214	\$3,071	\$1,464
CF-BOT1-4820-??-??	42-48	120	N/A	N/A	N/A	N/A
two piece top						
CF-BOT2-4820-??-??	42-48	120	\$1,978	\$3,352	\$4,204	\$2,295
CF-BOT2-4844-??-??	42-48	144	\$2,456	\$3,568	\$4,543	\$2,834
CF-BOT2-4868-??-??	42-48	168	\$2,900	\$4,196	\$5,013	\$3,341
CF-BOT2-4892-??-??	42-48	192	\$3,386	\$4,908	\$5,811	\$3,907
CF-BOT2-4816-??-??	42-48	216	N/A	N/A	N/A	N/A
CF-BOT2-4840-??-??	42-48	240	N/A	N/A	N/A	N/A
CF-BOT2-5444-??-??	44-54	144	\$2,754	\$3,985	\$4,772	\$3,172
CF-BOT2-5468-??-??	44-54	168	\$3,220	\$4,661	\$5,567	\$3,711
CF-BOT2-5492-??-??	44-54	192	\$3,766	\$5,452	\$6,455	\$4,344
CF-BOT2-5416-??-??	44-54	216	N/A	N/A	N/A	N/A
CF-BOT2-5440-??-??	44-54	240	N/A	N/A	N/A	N/A
CF-BOT2-6044-??-??	50-60	144	\$3,026	\$4,382	\$5,248	\$3,487
CF-BOT2-6068-??-??	50-60	168	\$3,541	\$5,127	\$6,120	\$4,083
CF-BOT2-6092-??-??	50-60	192	\$4,144	\$5,998	\$7,102	\$4,778
CF-BOT2-6016-??-??	50-60	216	N/A	N/A	N/A	N/A
CF-BOT2-6040-??-??	50-60	240	N/A	N/A	N/A	N/A
three piece top						
CF-BOT3-4816-??-??	42-48	216	\$4,263	\$6,085	\$7,208	\$4,886
CF-BOT3-4840-??-??	42-48	240	\$4,870	\$6,973	\$8,200	\$5,589
CF-BOT3-5416-??-??	44-54	216	\$4,714	\$6,741	\$7,989	\$5,407
CF-BOT3-5440-??-??	44-54	240	\$5,391	\$7,726	\$9,091	\$6,189
CF-BOT3-6016-??-??	50-60	216	\$5,164	\$7,398	\$8,768	\$5,930
CF-BOT3-6040-??-??	50-60	240	\$5,911	\$8,478	\$9,983	\$6,790

- For premium TFL, change "T1" to "T2" and add 10%.
- TFL tops with 2mm PVC edges are only available with DeskMakers standard 2MM PVC edgebanding.
- Wood edge will add to the dimensions of top.
- 120" one piece conference table tops not available in all TFL finishes, see pages 4-5 for availability.
- For two piece and three piece table tops, please note that the grain pattern will not line up at the seams.
- Two piece table tops are divided into two equal sections.
- Three piece table tops are divided into three equal sections.
- Tables with sections larger than 96" are available in Southern California and/or will call only.
- For rounded corners with a 4" radius use OP-EDGE-RND for an additional \$196 per top.
- Please see Cleaning and Care Guide for maintenance information.

boatshaped table top

HPL edge options

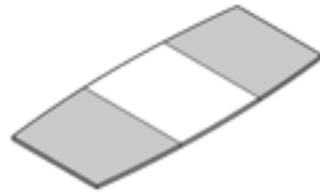


HPL								
		1-1/8" Thick Standard HPL	1-1/8" Thick Standard HPL	1-1/8" Thick Standard HPL	1-7/8" Thick Standard HPL	1-1/8" Thick MDF Core	1" Thick Plywood Core	
		2mm PVC	3/8" Wood	1-1/8" Wood	2mm PVC	2mm PVC Knife	Plywood	
Model Number	Depth	Length	H1-A1	H1-B1	H1-C?	H1-E1	H1-K4	H1-P1
one piece top								
CF-BOT1-3672-??-??	30-36	72	\$1,577	\$2,838	\$4,052	\$1,718	\$1,958	\$2,351
CF-BOT1-4284-??-??	36-42	84	\$1,660	\$3,095	\$4,454	\$1,787	\$2,057	\$2,670
CF-BOT1-4884-??-??	42-48	84	\$1,823	\$3,181	\$4,132	\$2,007	\$2,163	\$2,838
CF-BOT1-4296-??-??	36-42	96	\$1,875	\$3,329	\$4,718	\$2,090	\$2,512	\$3,014
CF-BOT1-4896-??-??	42-48	96	\$2,038	\$3,496	\$4,850	\$2,314	\$2,729	\$3,275
CF-BOT1-4820-??-??	42-48	120	\$2,700	\$4,503	\$5,507	\$3,007	\$3,620	\$4,345
two piece top								
CF-BOT2-4820-??-??	42-48	120	\$3,308	\$5,294	\$6,639	\$3,624	\$3,827	\$4,591
CF-BOT2-4844-??-??	42-48	144	\$3,878	\$5,634	\$7,173	\$4,476	\$4,181	\$5,219
CF-BOT2-4868-??-??	42-48	168	\$4,581	\$6,625	\$7,916	\$5,275	\$4,403	\$5,328
CF-BOT2-4892-??-??	42-48	192	\$5,346	\$7,752	\$9,175	\$6,171	\$4,464	\$5,429
CF-BOT2-4816-??-??	42-48	216	\$6,427	\$9,295	\$11,071	\$7,408	\$5,340	\$7,703
CF-BOT2-4840-??-??	42-48	240	\$7,384	\$10,698	\$12,636	\$8,519	\$5,402	\$7,804
CF-BOT2-5444-??-??	44-54	144	\$4,349	\$6,293	\$7,535	\$5,009	\$5,826	\$6,991
CF-BOT2-5468-??-??	44-54	168	\$5,084	\$7,361	\$8,790	\$5,860	\$6,813	\$8,177
CF-BOT2-5492-??-??	44-54	192	\$5,946	\$8,609	\$10,193	\$6,859	\$7,967	\$9,559
CF-BOT2-5416-??-??	44-54	216	\$7,139	\$10,332	\$12,302	\$8,230	\$9,565	\$11,479
CF-BOT2-5440-??-??	44-54	240	\$8,206	\$11,885	\$14,042	\$9,465	\$10,998	\$13,197
CF-BOT2-6044-??-??	50-60	144	\$4,777	\$6,918	\$8,287	\$5,507	\$6,400	\$7,681
CF-BOT2-6068-??-??	50-60	168	\$5,590	\$8,096	\$9,664	\$6,446	\$7,491	\$8,989
CF-BOT2-6092-??-??	50-60	192	\$6,544	\$9,471	\$11,214	\$7,545	\$8,768	\$10,523
CF-BOT2-6016-??-??	50-60	216	\$7,848	\$11,367	\$13,534	\$9,053	\$10,518	\$12,622
CF-BOT2-6040-??-??	50-60	240	\$9,028	\$13,071	\$15,450	\$10,405	\$12,099	\$14,518
three piece top								
CF-BOT3-4816-??-??	42-48	216	\$6,732	\$9,609	\$11,382	\$7,715	\$6,492	\$7,779
CF-BOT3-4840-??-??	42-48	240	\$7,691	\$11,010	\$12,947	\$8,824	\$6,554	\$7,881
CF-BOT3-5416-??-??	44-54	216	\$7,442	\$10,645	\$12,614	\$8,540	\$9,973	\$11,968
CF-BOT3-5440-??-??	44-54	240	\$8,513	\$12,199	\$14,355	\$9,773	\$11,406	\$13,688
CF-BOT3-6016-??-??	50-60	216	\$8,155	\$11,680	\$13,842	\$9,365	\$10,927	\$13,114
CF-BOT3-6040-??-??	50-60	240	\$9,334	\$13,386	\$15,761	\$10,722	\$12,507	\$15,009

- HPL tops with 2mm PVC edges are only available with DeskMakers standard 2MM PVC edgebanding.
- Wood edge will add to the dimensions of top.
- For two piece and three piece table tops, please note that the grain pattern will not line up at the seams.
- Two piece table tops are divided into two equal sections.
- Three piece table tops are divided into three equal sections.
- Tables with sections larger than 96" are available in Southern California and/or will call only.
- For rounded corners with a 4" radius use OP-EDGE-RND for an additional \$196 per top.
- Please see Cleaning and Care Guide for maintenance information.

multi-finish boatshaped table top

TFL edge options

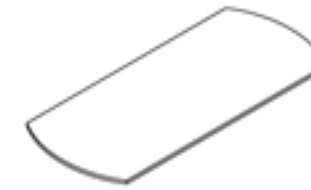


TFL			
1-1/8" Thick Standard TFL	1-1/8" Thick Standard TFL	1-1/8" Thick Standard TFL	1-7/8" Thick Standard TFL
2mm PVC	3/8" Wood	1-1/8" Wood	2mm PVC
Model Number	Depth	Length	
T1-A1	T1-B1	T1-C?	T1-E1
three piece top			
CF-BOTM-4820-??	42-48	120	\$3,362
CF-BOTM-4844-??	42-48	144	\$3,839
CF-BOTM-4868-??	42-48	168	\$4,285
CF-BOTM-4892-??	42-48	192	\$4,770
CF-BOTM-4816-??	42-48	216	\$5,455
CF-BOTM-4840-??	42-48	240	\$6,060
CF-BOTM-5444-??	44-54	144	\$4,137
CF-BOTM-5468-??	44-54	168	\$4,604
CF-BOTM-5492-??	44-54	192	\$5,148
CF-BOTM-5416-??	44-54	216	\$5,905
CF-BOTM-5440-??	44-54	240	\$6,581
CF-BOTM-6044-??	50-60	144	\$4,409
CF-BOTM-6068-??	50-60	168	\$4,924
CF-BOTM-6092-??	50-60	192	\$5,528
CF-BOTM-6016-??	50-60	216	\$6,355
CF-BOTM-6040-??	50-60	240	\$7,102

- Wood edge will add to the dimensions of top.
- For premium TFL, change "T1" to "T2" and add 10%.
- On three piece table tops, please note that the grain pattern will not line up perfectly at the seams.
- Three piece table tops are divided into three equal sections.
- Specify end finish and middle finish on P.O.
- Prices apply to TFL finishes only. For mixing HPL and TFL finishes, contact customer service for pricing.
- For rounded corners with a 4" radius use OP-EDGE-RND for an additional \$196 per top.
- Please see Cleaning and Care Guide for maintenance information.

bow-end table top

TFL edge options

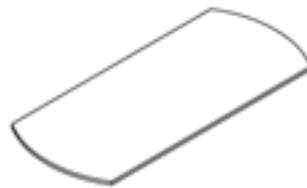


TFL			
1-1/8" Thick Standard TFL	1-1/8" Thick Standard TFL	1-1/8" Thick Standard TFL	1-7/8" Thick Standard TFL
2mm PVC	3/8" Wood	1-1/8" Wood	2mm PVC
Model Number	Depth	Length	
T1-A1	T1-B1	T1-C?	T1-E1
one piece top			
CF-BOW1-3672-??-??	36	72	\$925
CF-BOW1-4284-??-??	42	84	\$993
CF-BOW1-4884-??-??	48	84	\$1,094
CF-BOW1-4296-??-??	42	96	\$1,186
CF-BOW1-4896-??-??	48	96	\$1,291
CF-BOW1-4820-??-??	48	120	N/A
two piece top			
CF-BOW2-4820-??-??	48	120	\$1,978
CF-BOW2-4844-??-??	48	144	\$2,456
CF-BOW2-4868-??-??	48	168	\$2,900
CF-BOW2-4892-??-??	48	192	\$3,386
CF-BOW2-4816-??-??	48	216	N/A
CF-BOW2-4840-??-??	48	240	N/A
CF-BOW2-5444-??-??	54	144	\$2,754
CF-BOW2-5468-??-??	54	168	\$3,220
CF-BOW2-5492-??-??	54	192	\$3,766
CF-BOW2-5416-??-??	54	216	N/A
CF-BOW2-5440-??-??	54	240	N/A
CF-BOW2-6044-??-??	60	144	\$3,026
CF-BOW2-6068-??-??	60	168	\$3,541
CF-BOW2-6092-??-??	60	192	\$4,144
CF-BOW2-6016-??-??	60	216	N/A
CF-BOW2-6040-??-??	60	240	N/A
three piece top			
CF-BOW3-4816-??-??	48	216	\$4,263
CF-BOW3-4840-??-??	48	240	\$4,870
CF-BOW3-5416-??-??	54	216	\$4,714
CF-BOW3-5440-??-??	54	240	\$5,391
CF-BOW3-6016-??-??	60	216	\$5,164
CF-BOW3-6040-??-??	60	240	\$5,911

- For premium TFL, change "T1" to "T2" and add 10%.
- TFL tops with 2mm PVC edges are only available with DeskMakers standard 2MM PVC edgbanding.
- Wood edge will add to the dimensions of top.
- 120" one piece conference table tops not available in all TFL finishes, see pages 4-5 for availability.
- For two piece and three piece table tops, please note that the grain pattern will not line up at the seams.
- Two piece table tops are divided into two equal sections.
- Three piece table tops are divided into three equal sections.
- Tables with sections larger than 96" are available in Southern California and/or will call only.
- Please see Cleaning and Care Guide for maintenance information.

bow-end table top

HPL edge options



		HPL						
		1-1/8" Thick Standard HPL	1-1/8" Thick Standard HPL	1-1/8" Thick Standard HPL	1-7/8" Thick Standard HPL	1-1/8" Thick MDF Core	1" Thick Plywood Core	
Model Number	Depth	Length	H1-A1	H1-B1	H1-C?	H1-E1	H1-K4	H1-P1
one piece top								
CF-BOW1-3672-??-??	36	72	\$1,577	\$2,838	\$3,705	\$1,750	\$1,958	\$2,351
CF-BOW1-4284-??-??	42	84	\$1,569	\$3,095	\$4,105	\$1,818	\$2,101	\$2,519
CF-BOW1-4884-??-??	48	84	\$1,728	\$3,181	\$3,937	\$2,043	\$2,163	\$2,668
CF-BOW1-4296-??-??	42	96	\$1,875	\$3,329	\$4,371	\$2,129	\$2,512	\$3,014
CF-BOW1-4896-??-??	48	96	\$2,038	\$3,496	\$4,506	\$2,351	\$2,729	\$3,275
CF-BOW1-4820-??-??	48	120	\$2,700	\$4,503	\$5,360	\$3,066	\$3,620	\$4,345
two piece top								
CF-BOW2-4820-??-??	48	120	\$3,308	\$5,294	\$6,639	\$3,624	\$3,827	\$4,591
CF-BOW2-4844-??-??	48	144	\$3,878	\$5,617	\$7,173	\$4,476	\$4,181	\$5,219
CF-BOW2-4868-??-??	48	168	\$4,581	\$6,622	\$7,916	\$5,275	\$4,403	\$5,328
CF-BOW2-4892-??-??	48	192	\$5,346	\$7,752	\$8,709	\$6,171	\$4,464	\$5,429
CF-BOW2-4816-??-??	48	216	\$6,427	\$9,295	\$10,444	\$7,408	\$5,340	\$7,703
CF-BOW2-4840-??-??	48	240	\$7,384	\$10,698	\$12,014	\$8,519	\$5,402	\$7,804
CF-BOW2-5444-??-??	54	144	\$4,349	\$6,293	\$7,064	\$5,009	\$5,826	\$6,991
CF-BOW2-5468-??-??	54	168	\$5,084	\$7,361	\$8,270	\$5,860	\$6,813	\$8,177
CF-BOW2-5492-??-??	54	192	\$5,946	\$8,609	\$9,676	\$6,859	\$7,967	\$9,559
CF-BOW2-5416-??-??	54	216	\$7,139	\$10,332	\$11,608	\$8,230	\$9,565	\$11,479
CF-BOW2-5440-??-??	54	240	\$8,206	\$11,885	\$13,351	\$9,465	\$10,998	\$13,197
CF-BOW2-6044-??-??	60	144	\$4,777	\$6,918	\$7,776	\$5,507	\$6,400	\$7,681
CF-BOW2-6068-??-??	60	168	\$5,590	\$8,097	\$9,094	\$6,446	\$7,491	\$8,989
CF-BOW2-6092-??-??	60	192	\$6,544	\$9,471	\$10,644	\$7,545	\$8,768	\$10,523
CF-BOW2-6016-??-??	60	216	\$7,848	\$11,367	\$12,770	\$9,053	\$10,518	\$12,622
CF-BOW2-6040-??-??	60	240	\$9,028	\$13,071	\$14,687	\$10,405	\$12,099	\$14,518
three piece top								
CF-BOW3-4816-??-??	48	216	\$6,732	\$9,609	\$10,750	\$7,715	\$6,492	\$7,779
CF-BOW3-4840-??-??	48	240	\$7,691	\$11,010	\$12,326	\$8,824	\$6,554	\$7,881
CF-BOW3-5416-??-??	54	216	\$7,442	\$10,645	\$11,918	\$8,540	\$9,973	\$11,968
CF-BOW3-5440-??-??	54	240	\$8,513	\$12,199	\$13,662	\$9,773	\$11,406	\$13,688
CF-BOW3-6016-??-??	60	216	\$8,155	\$11,680	\$13,081	\$9,365	\$10,927	\$13,114
CF-BOW3-6040-??-??	60	240	\$9,334	\$13,386	\$14,999	\$10,722	\$12,507	\$15,009

- HPL tops with 2mm PVC edges are only available with DeskMakers standard 2MM PVC edgebanding.
- Wood edge will add to the dimensions of top.
- For two piece and three piece table tops, please note that the grain pattern will not line up at the seams.
- Two piece table tops are divided into two equal sections.
- Three piece table tops are divided into three equal sections.
- Tables with sections larger than 96" are available in Southern California and/or will call only.
- Please see Cleaning and Care Guide for maintenance information.

multi-finish bow-end table top

TFL edge options

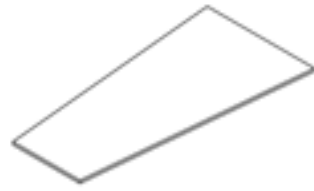


		TFL				
		1-1/8" Thick Standard TFL	1-1/8" Thick Standard TFL	1-1/8" Thick Standard TFL	1-7/8" Thick Standard TFL	
Model Number	Depth	Length	T1-A1	T1-B1	T1-C?	T1-E1
three piece top						
CF-BOWM-4820-??	48	120	\$3,362	\$4,762	\$5,614	\$3,679
CF-BOWM-4844-??	48	144	\$3,839	\$4,966	\$5,952	\$4,164
CF-BOWM-4868-??	48	168	\$4,285	\$5,604	\$6,422	\$4,725
CF-BOWM-4892-??	48	192	\$4,770	\$6,318	\$6,924	\$5,292
CF-BOWM-4816-??	48	216	\$5,455	\$7,296	\$8,024	\$6,076
CF-BOWM-4840-??	48	240	\$6,060	\$8,184	\$9,018	\$6,780
CF-BOWM-5444-??	54	144	\$4,137	\$5,394	\$6,218	\$4,496
CF-BOWM-5468-??	54	168	\$4,604	\$6,072	\$6,648	\$5,024
CF-BOWM-5492-??	54	192	\$5,148	\$6,864	\$7,537	\$5,647
CF-BOWM-5416-??	54	216	\$5,905	\$7,953	\$8,760	\$6,497
CF-BOWM-5440-??	54	240	\$6,581	\$8,936	\$9,866	\$7,266
CF-BOWM-6044-??	60	144	\$4,409	\$5,791	\$6,335	\$4,807
CF-BOWM-6068-??	60	168	\$4,924	\$6,536	\$7,170	\$5,389
CF-BOWM-6092-??	60	192	\$5,528	\$7,408	\$8,149	\$6,076
CF-BOWM-6016-??	60	216	\$6,355	\$8,610	\$9,497	\$7,009
CF-BOWM-6040-??	60	240	\$7,102	\$9,689	\$10,712	\$7,851

- Wood edge will add to the dimensions of top.
- For premium TFL, change "T1" to "T2" and add 10%.
- On three piece table tops, please note that the grain pattern will not line up perfectly at the seams.
- Three piece table tops are divided into three equal sections.
- Specify end finish and middle finish on P.O.
- Prices apply to TFL finishes only. For mixing HPL and TFL finishes, contact customer service for pricing.
- Please see Cleaning and Care Guide for maintenance information.

sightline table top

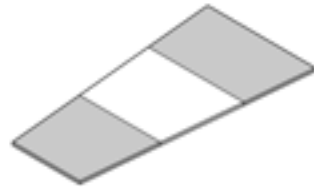
TFL edge options



TFL						
1-1/8" Thick Standard TFL	1-1/8" Thick Standard TFL	1-1/8" Thick Standard TFL	1-7/8" Thick Standard TFL			
2mm PVC	3/8" Wood	1-1/8" Wood	2mm PVC			
Model Number	Depth	Length	T1-A1	T1-B1	T1-C?	T1-E1
one piece top						
CF-SLN1-4896-??-??	30-48	96	\$1,645	\$2,543	\$3,135	\$1,819
CF-SLN1-5496-??-??	30-54	96	\$1,761	\$2,671	\$3,294	\$1,910
CF-SLN1-6020-??-??	36-60	120	N/A	N/A	N/A	N/A
two piece top						
CF-SLN2-6020-??-??	36-60	120	\$2,131	\$3,280	\$3,919	\$2,327
CF-SLN2-6044-??-??	36-60	144	\$3,349	\$4,711	\$5,576	\$3,821
CF-SLN2-6068-??-??	36-60	168	\$3,866	\$5,454	\$6,452	\$4,332
CF-SLN2-6092-??-??	36-60	192	\$4,553	\$6,328	\$7,432	\$5,105
CF-SLN2-6016-??-??	36-60	216	N/A	N/A	N/A	N/A
CF-SLN2-6040-??-??	36-60	240	N/A	N/A	N/A	N/A
three piece top						
CF-SLN3-6016-??-??	36-60	216	\$5,489	\$7,726	\$9,098	\$6,260
CF-SLN3-6040-??-??	36-60	240	\$6,235	\$8,805	\$10,311	\$6,989

multi-finish sightline table top

TFL edge options

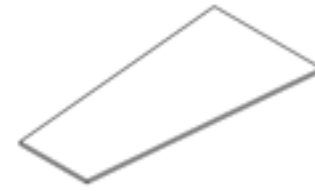


TFL						
1-1/8" Thick Standard TFL	1-1/8" Thick Standard TFL	1-1/8" Thick Standard TFL	1-7/8" Thick Standard TFL			
2mm PVC	3/8" Wood	1-1/8" Wood	2mm PVC			
Model Number	Depth	Length	T1-A1	T1-B1	T1-C?	T1-E1
three piece top						
CF-SLNM-6020-??	36-60	120	\$3,515	\$4,691	\$5,327	\$3,711
CF-SLNM-6044-??	36-60	144	\$4,733	\$6,122	\$6,989	\$5,133
CF-SLNM-6068-??	36-60	168	\$5,249	\$6,866	\$7,863	\$5,714
CF-SLNM-6092-??	36-60	192	\$5,851	\$7,739	\$8,842	\$6,395
CF-SLNM-6016-??	36-60	216	\$6,678	\$8,938	\$10,310	\$7,334
CF-SLNM-6040-??	36-60	240	\$7,425	\$10,017	\$11,522	\$8,178

- For premium TFL, change "T1" to "T2" and add 10%.
- TFL tops with 2mm PVC edges are only available with DeskMakers standard 2MM PVC edgebanding.
- Wood edge will add to the dimensions of top.
- 120" one piece conference table tops not available in all TFL finishes, see pages 4-5 for availability.
- For two piece and three piece table tops, please note that the grain pattern will not line up at the seams.
- Two piece table tops are divided into two equal sections.
- Three piece table tops are divided into three equal sections.
- Tables with sections larger than 96" are available in Southern California and/or will call only.
- For rounded corners with a 4" radius use OP-EDGE-RND for an additional \$196 per top.
- Please see Cleaning and Care Guide for maintenance information.

sightline table top

HPL edge options



HPL								
1-1/8" Thick Standard HPL	1-1/8" Thick Standard HPL	1-1/8" Thick Standard HPL	1-7/8" Thick Standard HPL	1-1/8" Thick MDF Core	1" Thick Plywood Core			
2mm PVC	3/8" Wood	1-1/8" Wood	2mm PVC	2mm PVC Knife	Plywood			
Model Number	Depth	Length	H1-A1	H1-B1	H1-C?	H1-E1	H1-K1	H1-P1
one piece top								
CF-SLN1-4896-??-??	30-48	96	\$2,599	\$4,015	\$4,950	\$2,873	\$3,480	\$4,177
CF-SLN1-5496-??-??	30-54	96	\$2,780	\$4,218	\$5,201	\$3,015	\$3,727	\$4,469
CF-SLN1-6020-??-??	36-60	120	\$2,810	\$4,428	\$5,460	\$3,603	\$3,762	\$4,518
two piece top								
CF-SLN2-6020-??-??	36-60	120	\$3,364	\$5,180	\$6,187	\$3,673	\$4,508	\$5,409
CF-SLN2-6044-??-??	36-60	144	\$5,289	\$7,437	\$8,806	\$6,034	\$7,086	\$8,502
CF-SLN2-6068-??-??	36-60	168	\$6,105	\$8,614	\$10,188	\$6,839	\$8,180	\$9,815
CF-SLN2-6092-??-??	36-60	192	\$7,188	\$9,993	\$11,733	\$8,060	\$9,631	\$11,557
CF-SLN2-6016-??-??	36-60	216	\$8,362	\$11,890	\$14,054	\$9,395	\$11,203	\$13,444
CF-SLN2-6040-??-??	36-60	240	\$9,539	\$13,593	\$15,965	\$10,728	\$12,780	\$15,334
three piece top								
CF-SLN3-6016-??-??	36-60	216	\$8,667	\$12,199	\$14,365	\$9,883	\$11,613	\$13,933
CF-SLN3-6040-??-??	36-60	240	\$9,846	\$13,905	\$16,283	\$11,037	\$13,193	\$15,829

- HPL tops with 2mm PVC edges are only available with DeskMakers standard 2MM PVC edgebanding.
- Wood edge will add to the dimensions of top.
- For two piece and three piece table tops, please note that the grain pattern will not line up at the seams.
- Two piece table tops are divided into two equal sections.
- Three piece table tops are divided into three equal sections.
- Tables with sections larger than 96" are available in Southern California and/or will call only.
- For rounded corners with a 4" radius use OP-EDGE-RND for an additional \$196 per top.
- Please see Cleaning and Care Guide for maintenance information.

reveal below table top



Model Number	Table Top Length	Price
for all conference table tops		
OP-REVL-01	1/2" REVEAL UP TO 96" TOP	\$393
OP-REVL-02	1/2" REVEAL 97-120" TOP	\$503
OP-REVL-03	1/2" REVEAL 121-144" TOP	\$688
OP-REVL-04	1/2" REVEAL 145-192" TOP	\$982
OP-REVL-05	1/2" REVEAL 193-240" TOP	\$1,472
for round and square table tops		
OP-REVL-11	1/2" REVEAL ROUND OR SQUARE	\$409

- Reveal raises the overall height of the table by 1/2".
- Specify silver metallic, white, black or matching PVC finish for reveal.
- Reveal is 1/2" thick and is inset 1/2" from edge of table top.

malibu bases



details

- constructed of 3/4" thick material
- side panels available in the same or a different finish than end panels
- standard in TFL, HPL available at an upcharge
- edges are 2mm PVC
- hollow construction allows wires to pass through
- all bases are sold as a set with wire management stretcher troughs between bases
- all bases include a wire management door in (1) side panel - bases/base sets can be positioned at install so wire doors face either side of table
- end bases include a wire management grommet hole near top of base on trough side
- middle bases include a wire management grommet hole near top of base on both sides

offering

panel



- 5" deep
- 20" wide, 24" wide & 30" wide
- 2-1/2" x 6" wire management cutout in top
- 2-1/2" grommet in bottom
- rectangular, racetrack, boatshaped and bow-end tops only
- minimum table size: 36" x 72"
- maximum table size: 60" x 240"

rectangular



- 12" deep
- 18" wide, 24" wide & 30" wide
- 10" x 15-1/2" wire management cutout in top and bottom
- rectangular, racetrack, boatshaped, bow-end and sightline tops
- minimum table size: 36" x 72"
- maximum table size: 60" x 240"

square



- 18" deep, 24" deep & 30" deep
- 18" wide, 24" wide & 30" wide
- 10" x 10" wire management cutout in top and bottom
- square, rectangular, racetrack, boatshaped, bow-end and sightline tops
- minimum table size: 36" x 36"
- maximum table size: 60" x 240"

malibu base details

grain direction

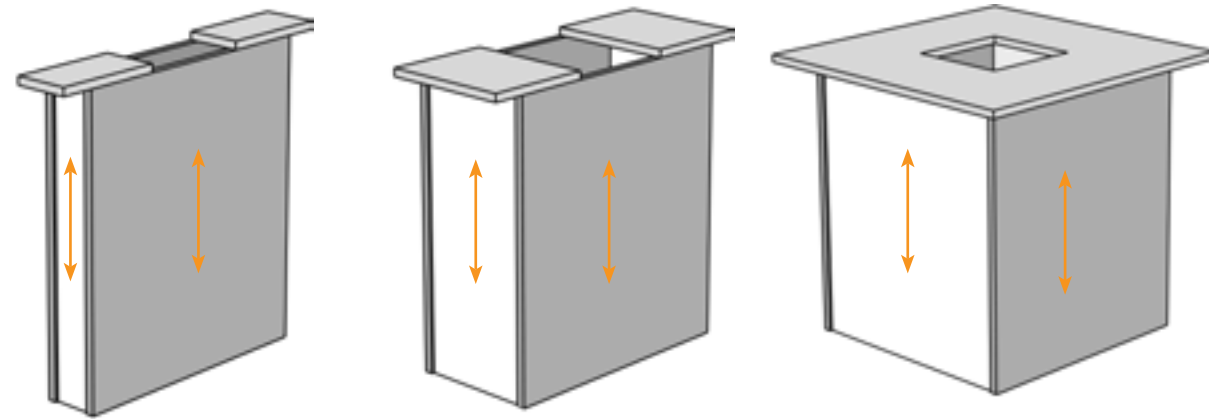
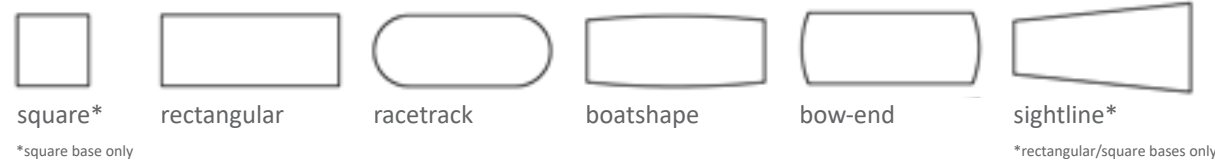


table tops for malibu bases

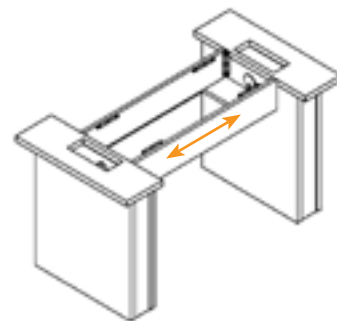


optional stainless steel side panels



For silver metallic side panels add OP-CONF-SVP for \$440 per base.

wire management stretcher trough



Wire management stretcher troughs are 13-1/2" wide x 6-1/2" high, with interior clearance of 12" wide x 5-3/4" high.

malibu base for square table tops



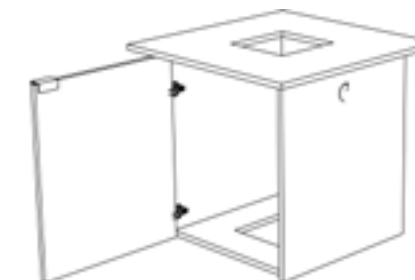
pricing



Model Number	Table Top Size(s)	Base Size	Bases Included	Price
CF-BSQ2-1-18	36" Square	18	1	\$579
CF-BSQ2-1-20	42" Square	20	1	\$586
CF-BSQ2-1-24	48" Square	24	1	\$836
CF-BSQ2-1-30	54", 60" Square	30	1	\$857

- Standard in single TFL finish. No charge for side panels in a different TFL finish. Must specify on PO.
- For silver metallic side panels add OP-CONF-SVP for \$440 per base.
- Square bases are hollow with 10" square openings at top and bottom for wire management.
- Square bases should not be used with round tops.
- Malibu bases are not available with kickplate.

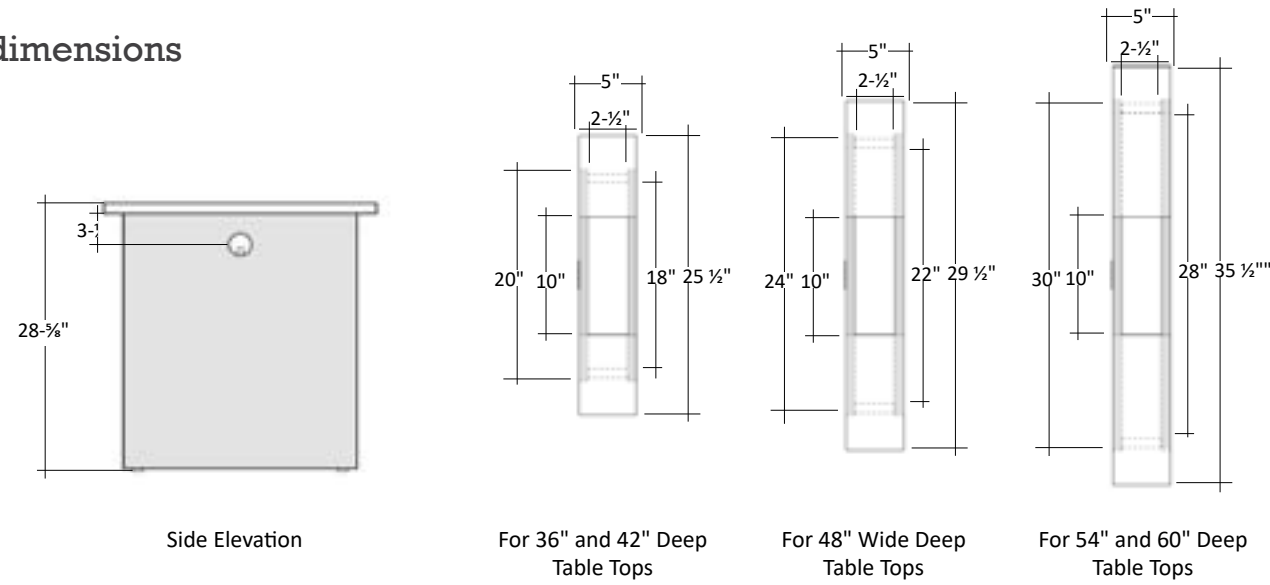
wire access door detail



- Swing door standard on one inset side of base. Grommet included on adjacent panel when base is part of set.
- 123SN 3" Pull included.

malibu panel base

dimensions



base placement

rectangular, racetrack, boatshape and bow-end table tops

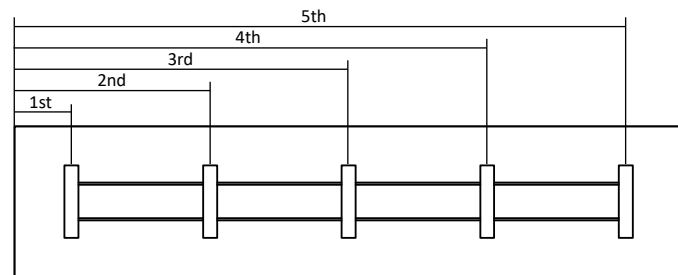


Table Depth	Table Length	Center of 1st Base	Center of 2nd Base	Center of 3rd Base	Center of 4th Base	Center of 5th Base
36	72	17-1/2	54-1/2			
42/48	84	20-1/2	63-1/2			
42/48	96	20-1/2	75-1/2			
48	120	20-1/2	60	99-1/2		
48/54/60	144	20-1/2	72	123-1/2		
48/54/60	168	20-1/2	84	147-1/2		
48/54/60	192	20-1/2	70-13/16	121-3/16	171-1/2	
48/54/60	216	20-1/2	78-13/16	137-7/16	195-1/2	
48/54/60	240	20-1/2	70-1/4	120	169-3/4	219-1/2

pricing

Model Number	Table Top Size(s)	Base Size	Stretcher Length	Price
2 Bases & 1 Stretcher				
CF-BPN2-20-72	36 x 72	20	32	\$924
CF-BPN2-20-84	42 x 84	20	38	\$1,009
CF-BPN2-24-84	48 x 84	24	38	\$1,017
CF-BPN2-20-96	42 x 96	20	50	\$1,020
CF-BPN2-24-96	48 x 96	24	50	\$1,317
3 Bases & 2 Stretchers				
CF-BPN3-24-120	48 x 120	24	34 1/2	\$1,476
CF-BPN3-24-144	48 x 144	24	46 1/2	\$1,508
CF-BPN3-30-144	54 x 144, 60 x 144	30	46 1/2	\$1,533
4 Bases & 3 Stretchers				
CF-BPN4-24-168	48 x 168	24	37 1/4	\$1,909
CF-BPN4-30-168	54 x 168, 60 x 168	30	37 1/4	\$2,230
CF-BPN4-24-192	48 x 192	24	45 1/4	\$1,937
CF-BPN4-30-192	54 x 192, 60 x 192	30	45 1/4	\$2,258
CF-BPN4-24-216	48 x 216	24	53 1/4	\$1,949
CF-BPN4-30-216	54 x 216, 60 x 216	30	53 1/4	\$2,270
5 Bases & 4 Stretchers				
CF-BPN5-24-240	48 x 240	24	44 3/4	\$2,416
CF-BPN5-30-240	54 x 240, 60 x 240	30	44 3/4	\$2,695

- Standard in single TFL finish. No charge for side panels in a different TFL finish. Specify clearly on P.O.
- For silver metallic side panels, add OP-CONF-SVP for \$440 per base.
- Troughs are 13.5" wide x 6.5" high, with interior clearance of 12" wide x 5.75" high.
- 5" thick panel bases are hollow with 2.5" x 10" opening at top and bottom for wire management.
- To place a power/data grommet over a base, add OP-CONF-NOTCH for \$567 per base.
- Shipped in pieces and require assembly.
- Malibu bases are not available with kickplate.

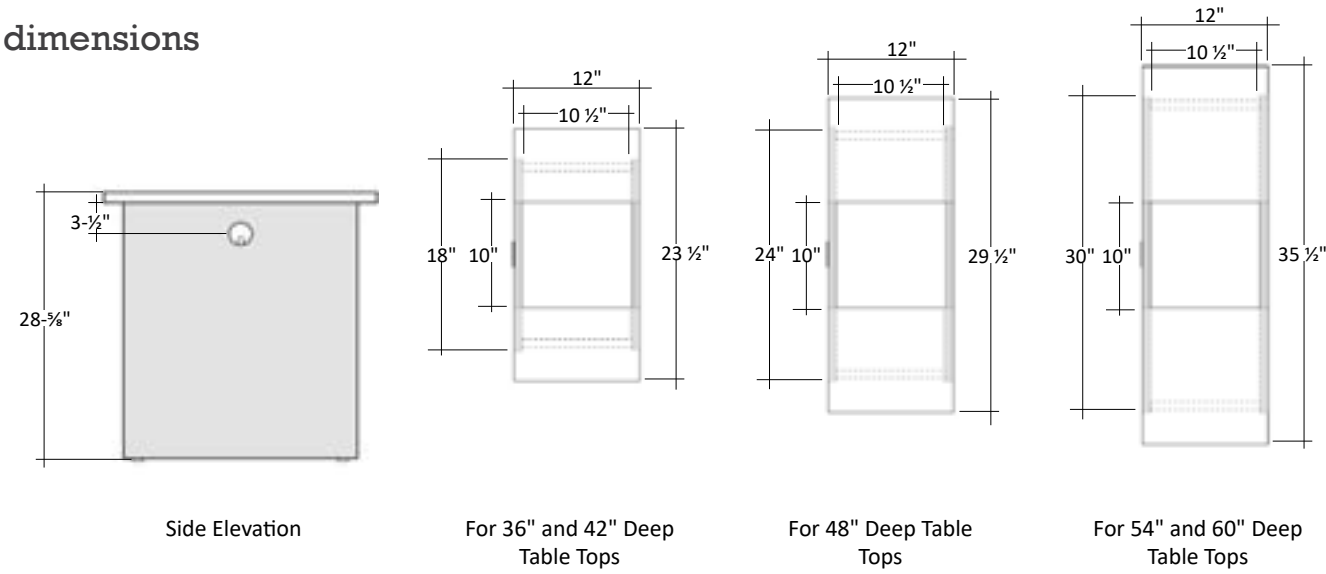
wire access door detail



- Swing door standard on one inset side of base. Grommet included on adjacent panel.
- 123SN 3" Pull included.

malibu rectangular base

dimensions



base placement

rectangular, racetrack, boatshape, bow-end and sightline table tops

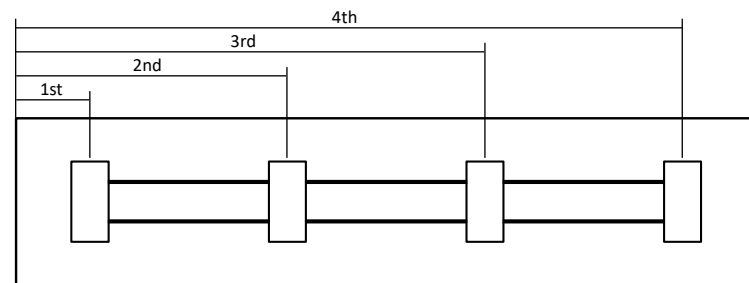


Table Depth	Table Length	Center of 1st Base	Center of 2nd Base	Center of 3rd Base	Center of 4th Base
36	72	18	54		
42/48	84	24	60		
42/48	96	24	72		
48*	120	24	96		
48**	120	24	60	96	
48/54/60	144	24	72	120	
48/54/60	168	24	84	144	
48/54/60	192	24	72	120	168
48/54/60	216	24	80	136	192
48/54/60	240	24	88	152	216

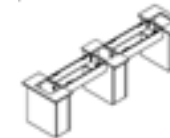
*one piece top

**two and three piece top

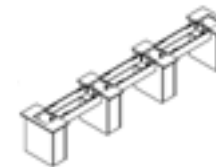
pricing



Model Number	Table Top Size(s)	Base Size	Stretcher Length	Price
2 Bases & 1 Stretcher				
CF-BRN2-18-72	36 x 72	18	24	\$939
CF-BRN2-18-84	42 x 84	18	24	\$939
CF-BRN2-24-84	48 x 84	24	24	\$1,242
CF-BRN2-18-96	42 x 96,	18	36	\$1,033
CF-BRN2-24-96	48 x 96	24	36	\$1,335
CF-BRN2-24-120	48 x 120 (1 piece top)	24	60	\$1,358



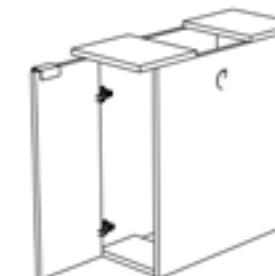
3 Bases & 2 Stretchers				
CF-BRN3-24-120	48 x 120 (2 & 3 piece top)	24	24	\$1,500
CF-BRN3-24-144	48 x 144	24	36	\$1,769
CF-BRN3-30-144	54 x 144, 60 x 144	30	36	\$2,083
CF-BRN3-24-168	48 x 168	24	48	\$1,792
CF-BRN3-30-168	54 x 168, 60 x 168	30	48	\$2,105



4 Bases & 3 Stretchers				
CF-BRN4-24-192	48 x 192	24	36	\$2,257
CF-BRN4-30-192	54 x 192, 60 x 192	30	36	\$2,526
CF-BRN4-24-216	48 x 216	24	44	\$2,284
CF-BRN4-30-216	54 x 216, 60 x 216	30	44	\$2,553
CF-BRN4-24-240	48 x 240	24	52	\$2,297
CF-BRN4-30-240	54 x 240, 60 x 240	30	52	\$2,566

- Standard in single TFL finish. No charge for side panels in a different TFL finish. Specify clearly on P.O.
- For silver metallic side panels, add OP-CONF-SVP for \$440 per base.
- Troughs are 13.5" wide x 6.5" high, with interior clearance of 12" wide x 5.75" high.
- To place a power/data grommet over a base, add OP-CONF-NOTCH for \$567 per base.
- Rectangular bases are hollow with 10"x10.5" opening at top and bottom for wire management.
- Shipped in pieces and require assembly.
- Malibu bases are not available with kickplate.

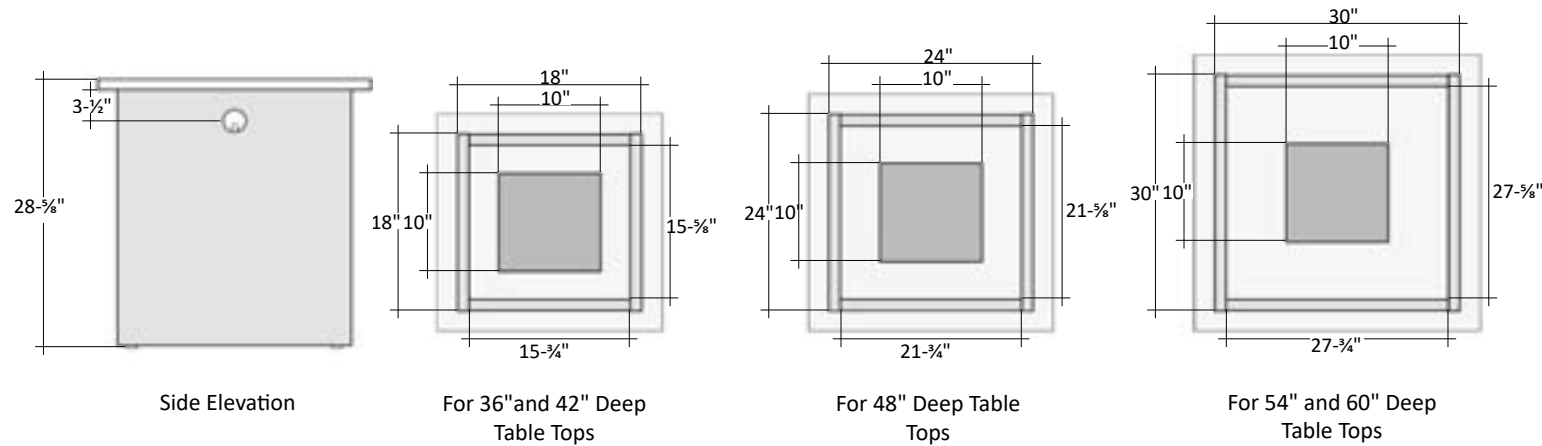
wire access door detail



- Swing door standard on one inset side of base. Grommet included on adjacent panel.
- 123SN 3" Pull included.

malibu square base

dimensions



base placement

rectangular, racetrack, boatshape and bow-end table tops

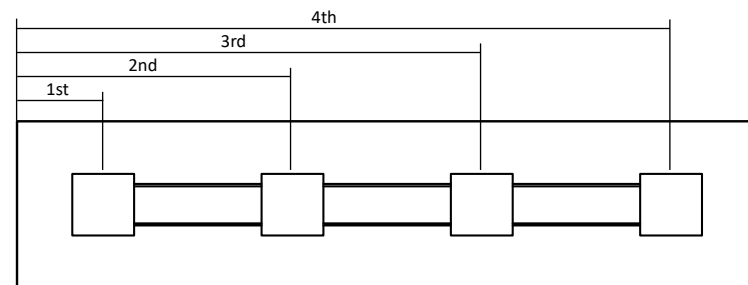


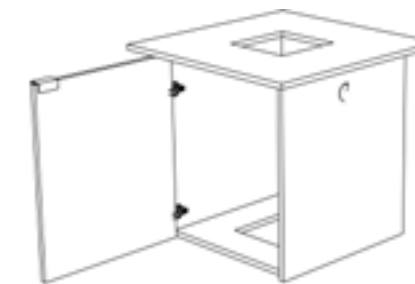
Table Depth	Table Length	Center of 1st Base	Center of 2nd Base	Center of 3rd Base	Center of 4th Base
36	72	21	51		
42	84	27	57		
42	96	27	69		
48	96	30	66		
48	120	30	90		
48	144	30	72	114	
48	168	30	84	138	
48	192	30	74	118	162
48	216	30	82	134	186
48	240	30	90	150	210
54/60	144	33	72	111	
54/60	168	33	84	135	
54/60	192	33	75	117	159
54/60	216	33	83	133	183
54/60	240	33	91	149	207

pricing

Model Number	Table Top Size(s)	Base Size	Stretcher Length	Price
2 Bases & 1 Stretcher				
CF-BSN2-18-72	36 x 72	18	12	\$1,243
CF-BSN2-18-84	42 x 84	18	12	\$1,243
CF-BSN2-18-96	42 x 96	18	24	\$1,254
CF-BSN2-24-96	48 x 96	24	12	\$1,282
CF-BSN2-24-120	48 x 120	24	36	\$1,387
3 Bases & 2 Stretchers				
CF-BSN3-24-144	48 x 144	24	18	\$2,097
CF-BSN3-30-144	54 x 144, 60 x 144	30	9	\$2,378
CF-BSN3-24-168	48 x 168	24	30	\$2,120
CF-BSN3-30-168	54 x 168, 60 x 168	30	21	\$2,690
4 Bases & 3 Stretchers				
CF-BSN4-24-192	48 x 192	24	20	\$2,831
CF-BSN4-30-192	54 x 192, 60 x 192	30	12	\$3,048
CF-BSN4-24-216	48 x 216	24	28	\$2,858
CF-BSN4-30-216	54 x 216, 60 x 216	30	20	\$3,441
CF-BSN4-24-240	48 x 240	24	36	\$2,886
CF-BSN4-30-240	54 x 240, 60 x 240	30	28	\$3,468

- Standard in single TFL finish. No charge for side panels in a different TFL finish. Specify clearly on P.O.
- For silver metallic side panels, add OP-CONF-SVP for \$440 per base.
- Troughs are 13.5" wide x 6.5" high, with interior clearance of 12" wide x 5.75" high.
- To place a power/data grommet over a base, add OP-CONF-NOTCH for \$567 per base.
- Square bases are hollow with 10" square opening at top and bottom for wire management.
- Shipped in pieces and require assembly.
- Malibu bases are not available with kickplate.

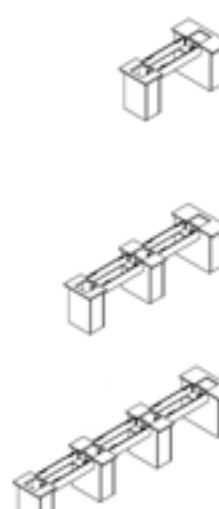
wire access door detail



- Swing door standard on one inset side of base. Grommet included on adjacent panel when base is part of set.
- 123SN 3" Pull included.

malibu bases for sightline table tops

pricing - rectangular bases



Model Number	Table Top Size(s)	Base Size	Stretcher Length	Price
2 Bases & 1 Stretcher				
CF-BRS2-1824-96	48 x 96	18-24	36	\$1,039
CF-BRS2-1830-96	54 x 96	18-30	36	\$1,337
CF-BRS2-1830-120	60 x 120 (1-piece top)	18-30	60	\$1,360
3 Bases & 2 Stretchers				
CF-BRS3-1830-120	60 x 120 (2-piece top)	18-24-30	24	\$1,501
CF-BRS3-1830-144	60 x 144	18-24-30	36	\$1,771
CF-BRS3-1830-168	60 x 168	18-24-30	48	\$1,794
4 Bases & 3 Stretchers				
CF-BRS4-1830-192	60 x 192	18-24-24-30	36	\$2,258
CF-BRS4-1830-216	60 x 216	18-24-24-30	44	\$2,285
CF-BRS4-1830-240	60 x 240	18-24-24-30	52	\$2,299

- Standard in single TFL finish. No charge for side panels in a different TFL finish. Specify clearly on P.O.
- For silver metallic side panels, add OP-CONF-SVP for \$440 per base.
- Troughs are 13.5" wide x 6.5" high, with interior clearance of 12" wide x 5.75" high.
- To place a power/data grommet over a base, add OP-CONF-NOTCH for \$567 per base.
- Rectangular bases are hollow with 10"x10.5" opening at top and bottom for wire management.
- Shipped in pieces and require assembly.
- Malibu bases are not available with kickplate.

rectangular base placement

sightline table tops

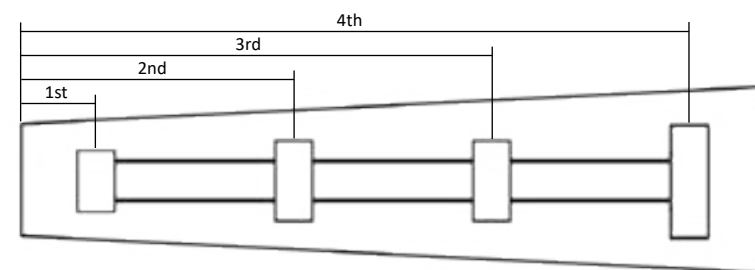
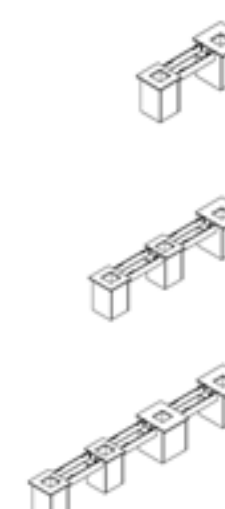


Table Depth	Table Length	Center of 1st Base	Center of 2nd Base	Center of 3rd Base	Center of 4th Base
48	96	24	72		
54	96	24	72		
60	120	24	96		
60	120	24	60	96	
60	144	24	72	120	
60	168	24	84	144	
60	192	24	72	120	168
60	216	24	80	136	192
60	240	24	88	152	216

*one piece top
**two and three piece top

pricing - square bases



Model Number	Table Top Size(s)	Base Size	Stretcher Length	Price
2 Bases & 1 Stretcher				
CF-BSS2-1818-96	48 x 96	18-18	24	\$1,254
CF-BSS2-1824-96	54 x 96	18-24	18	\$1,270
CF-BSS2-1824-120	60 x 120 (1-piece top)	18-24	42	\$1,370
3 Bases & 2 Stretchers				
CF-BSS3-1824-120	60 x 120 (2-piece top)	18-18-24	12	\$1,753
CF-BSS3-1824-144	60 x 144	18-18-24	24	\$1,776
CF-BSS3-1824-168	60 x 168	18-18-24	36	\$2,097
4 Bases & 3 Stretchers				
CF-BSS4-1824-192	60 x 192	18-18-24-24	24	\$2,271
CF-BSS4-1824-216	60 x 216	18-18-24-24	32	\$2,537
CF-BSS4-1824-240	60 x 240	18-18-24-24	40	\$2,565

- Standard in single TFL finish. No charge for side panels in a different TFL finish. Specify clearly on P.O.
- For silver metallic side panels, add OP-CONF-SVP for \$440 per base.
- Troughs are 13.5" wide x 6.5" high, with interior clearance of 12" wide x 5.75" high.
- To place a power/data grommet over a base, add OP-CONF-NOTCH for \$567 per base.
- Square bases are hollow with 10" square opening at top and bottom for wire management.
- Shipped in pieces and require assembly.
- Malibu bases are not available with kickplate.

square base placement

sightline table tops

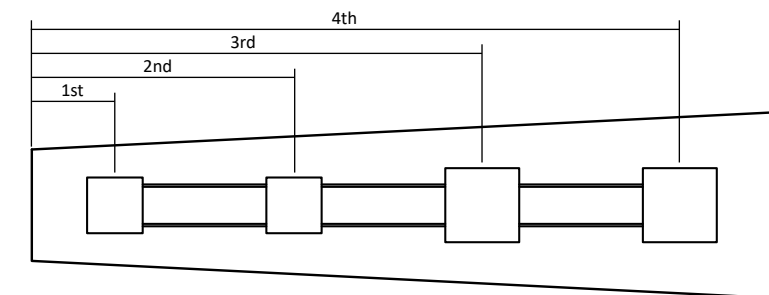


Table Depth	Table Length	Center of 1st Base	Center of 2nd Base	Center of 3rd Base	Center of 4th Base
48	96	27	69		
54	96	27	66		
60	120	27	90		
60	120	27	57	90	
60	144	27	69	114	
60	168	27	81	138	
60	192	27	69	114	162
60	216	27	77	130	186
60	240	27	85	146	210

torrance bases



details

- constructed two of 1-1/8" thick pieces with 1/8" reveal, solid construction, cannot route wires through
- recessed kickplate is 3/4" high, standard finish is black
- reveal is only available in black
- edges are 2mm PVC
- standard in TFL, HPL available at an upcharge
- all bases are sold as a set with wire management stretcher troughs between bases
- middle bases include a wire management grommet hole near top of base
- 2-3/8" deep
- 20" wide, 24" wide & 30" wide
- minimum table size: 36" x 72"
- maximum table size: 60" x 240"

grain direction

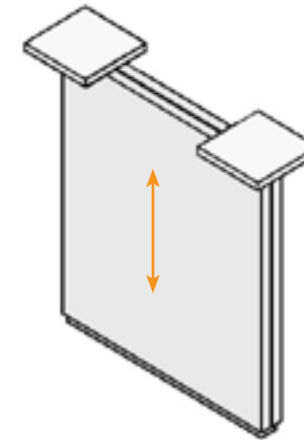


table tops for torrance bases

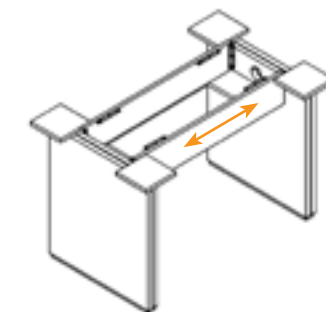


optional kickplate colors



For silver metallic, white or matching PVC kickplate, add OP-CONF-71 for \$208 per base.

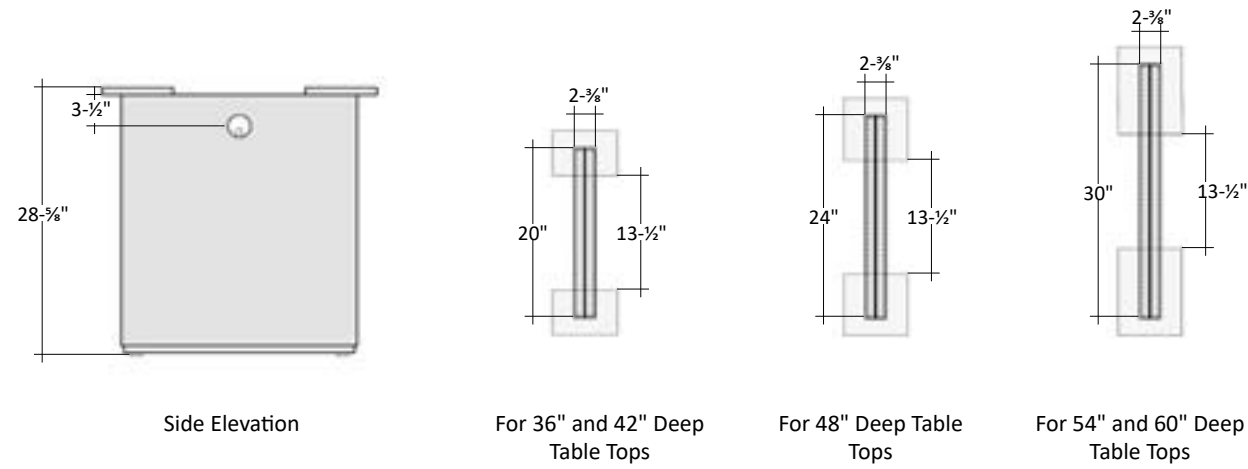
wire management stretcher trough



Wire management stretcher troughs are 13-1/2" wide x 6-1/2" high, with interior clearance of 12" wide x 5-3/4" high.

torrance bases

dimensions



base placement

rectangular, racetrack, boatshape and bow-end table tops

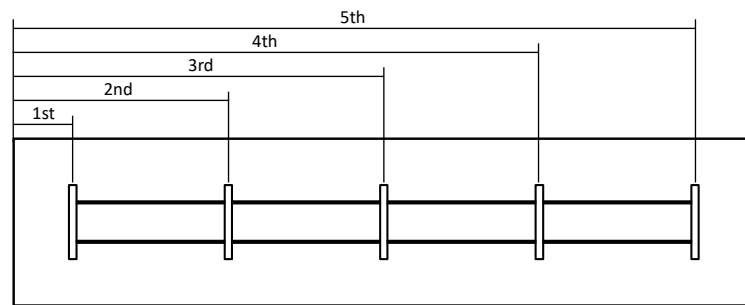


Table Depth	Table Length	Center of 1st Base	Center of 2nd Base	Center of 3rd Base	Center of 4th Base	Center of 5th Base
36	72	16-3/16	55-13/16			
42/48	84	19-3/16	64-13/16			
42/48	96	19-3/16	76-13/16			
48	120	19-3/16	60	100-13/16		
48/54/60	144	19-3/16	72	124-13/16		
48/54/60	168	19-3/16	62-3/8	105-6/8	148-13/16	
48/54/60	192	19-3/16	70-3/8	121-5/8	172-13/16	
48/54/60	216	19-3/16	78-3/8	137-5/8	196-13/16	
48/54/60	240	19-3/16	69-5/8	120	170-7/16	220-13/16

pricing

Model Number	Table Top Size(s)	Base Size	Stretcher Length	Price
2 Bases & 1 Stretcher				
CF-BPS2-20-72	36 x 72	20	37 1/4	\$648
CF-BPS2-20-84	42 x 84	20	43 1/4	\$656
CF-BPS2-24-84	48 x 84	24	43 1/4	\$683
CF-BPS2-20-96	42 x 96	20	55 1/4	\$668
CF-BPS2-24-96	48 x 96	24	55 1/4	\$701
3 Bases & 2 Stretchers				
CF-BPS3-24-120	48 x 120	24	38 1/2	\$926
CF-BPS3-24-144	48 x 144	24	50 1/2	\$937
CF-BPS3-30-144	54 x 144, 60 x 144	30	50 1/2	\$947
4 Bases & 3 Stretchers				
CF-BPS4-24-168	48 x 168	24	40 3/4	\$1,049
CF-BPS4-30-168	54 x 168, 60 x 168	30	40 3/4	\$1,116
CF-BPS4-24-192	48 x 192	24	48 3/4	\$1,061
CF-BPS4-30-192	54 x 192, 60 x 192	30	48 3/4	\$1,128
CF-BPS4-24-216	48 x 216	24	56 3/4	\$1,071
CF-BPS4-30-216	54 x 216, 60 x 216	30	56 3/4	\$1,136
5 Bases & 4 Stretchers				
CF-BPS5-24-240	48 x 240	24	48 1/4	\$1,235
CF-BPS5-30-240	54 x 240, 60 x 240	30	48.25	\$1,321

- Includes 3/4" high black kickplate and leveling glides.
- Add OP-CONF-71 for \$208 per base to upgrade kickplate to silver metallic, white or matching PVC.
- Troughs are 13.5" wide x 6.5" high, with interior clearance of 12" wide x 5.75" high.
- To place a power/data grommet over a base, add OP-CONF-NOTCH for \$567 per base.
- Not available with wire access door.
- Shipped in pieces and require assembly.

imperial bases



details

- constructed two of 1-1/8" thick pieces with 1/8" reveal
- recessed kickplate is 3/4" high, standard finish is black
- reveal is only available in black
- edges are 2mm PVC
- standard in HPL, TFL is not available
- all bases are sold as a set with wire management stretcher troughs between bases
- middle bases include a wire management grommet hole near top of base
- hollow construction allows wires to pass through
- 5" x 9" wire management cutout in top and bottom
- 9" deep
- 20" wide, 24" wide & 30" wide
- minimum table size: 36" x 72"
- maximum table size: 60" x 240"

grain direction

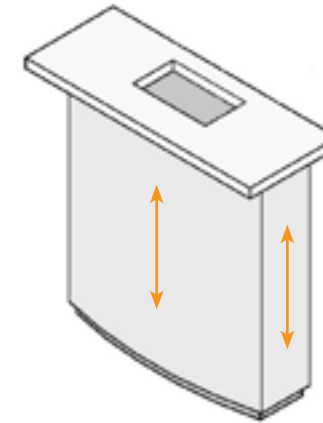


table tops for imperial bases

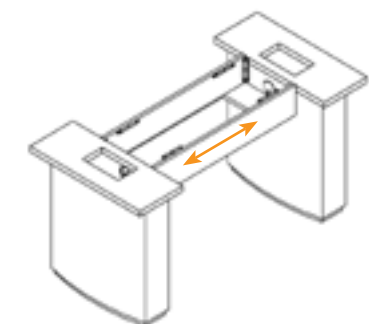


optional kickplate colors



For silver metallic, white or matching PVC kickplate add OP-CONF-71 for \$208 per base.

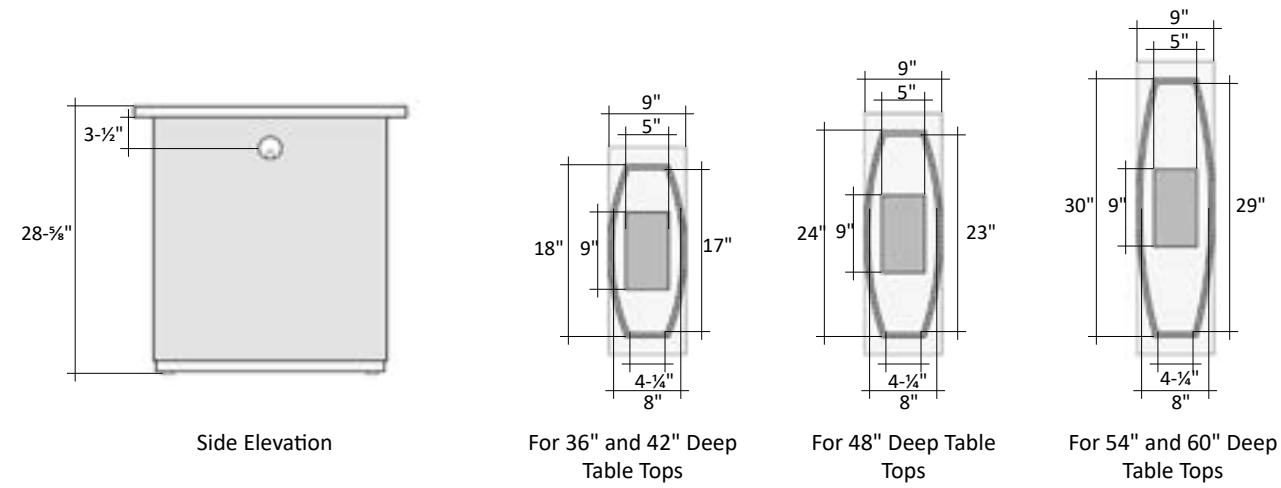
wire management stretcher trough



Wire management stretcher troughs are 13-1/2" wide x 6-1/2" high, with interior clearance of 12" wide x 5-3/4" high.

imperial bases

dimensions



base placement

rectangular, racetrack, boatshape and bow-end table tops

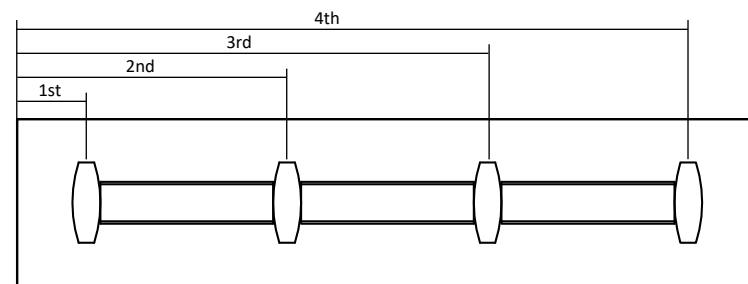


Table Depth	Table Length	Center of 1st Base	Center of 2nd Base	Center of 3rd Base	Center of 4th Base
36	72	16-1/2	55-1/2		
42/48	84	22-1/2	61-1/2		
42/48	96	22-1/2	73-1/2		
48	120	22-1/2	60	97-1/2	
48/54/60	144	22-1/2	72	121-1/2	
48/54/60	168	22-1/2	84	145-1/2	
48/54/60	192	22-1/2	71-1/2	120-1/2	169-1/2
48/54/60	216	22-1/2	79-1/2	136-1/2	193-1/2
48/54/60	240	22-1/2	87-1/2	152-1/2	217-1/2

pricing

Model Number	Table Top Size(s)	Base Size	Stretcher Length	Price
2 Bases & 1 Stretcher				
CF-BBT2-20-72	36 x 72	20	30	\$2,829
CF-BBT2-20-84	42 x 84	20	30	\$2,888
CF-BBT2-24-84	48 x 84	24	30	\$3,097
CF-BBT2-20-96	42 x 96	20	42	\$2,942
CF-BBT2-24-96	48 x 96	24	42	\$3,150
3 Bases & 2 Stretchers				
CF-BBT3-24-120	48 x 120	24	28 1/2	\$4,686
CF-BBT3-24-144	48 x 144	24	40 1/2	\$4,755
CF-BBT3-30-144	54 x 144, 60 x 144	30	40 1/2	\$5,243
CF-BBT3-24-168	48 x 168	24	52 1/2	\$4,824
CF-BBT3-30-168	54 x 168, 60 x 168	30	52 1/2	\$5,314
4 Bases & 3 Stretchers				
CF-BBT4-24-192	48 x 192	24	40	\$5,990
CF-BBT4-30-192	54 x 192, 60 x 192	30	40	\$6,607
CF-BBT4-24-216	48 x 216	24	48	\$6,055
CF-BBT4-30-216	54 x 216, 60 x 216	30	48	\$6,876
CF-BBT4-24-240	48 x 240	24	56	\$6,228
CF-BBT4-30-240	54 x 240, 60 x 240	30	56	\$7,051

- Includes 1-1/8" high black kickplate and leveling glides.
- Add OP-CONF-71 for \$208 per base to upgrade kickplate to silver metallic, white or matching PVC.
- Boatshaped bases are hollow with 5" x 9" opening at top and bottom for wire management.
- Troughs are 13.5" wide x 6.5" high, with interior clearance of 12" wide x 5.75" high.
- To place a power/data grommet over a base, add OP-CONF-NOTCH for \$567 per base.
- Shipped in pieces and require assembly.
- Not all standard TFL finishes are available in matching HPL, see deskmakers.com for availability.

optional wire access door

Model Number	Bases Included	Price
OP-CONF-57	for one base	\$1,166

- Door will be placed near the center of the base. Door is approximately 12" x 12".
- Also includes wire management grommet hole near top of base.

komo bases



details

- constructed HPL wrapped hollow cylinder
- recessed kickplate is 1-1/8" high, standard finish is black
- reveal is only available in black
- standard in HPL, TFL is not available
- hollow construction allows wires to pass through
- all bases are sold as a set with wire management stretcher troughs between bases
- middle bases include a wire management grommet hole near top of base

offering

cylinder



- 18" diameter, 24" diameter & 30" diameter
- 10" diameter wire management cutout in top and bottom
- round, rectangular, racetrack, boatshaped and bow-end tops only
- minimum table size: 36" x 72"
- maximum table size: 60" x 240" or 60" diameter round

half cylinder



- depth varies
- 18" wide, 24" wide & 30" wide
- wire management cutout in top and bottom
- rectangular, racetrack, boatshaped and bow-end tops only
- minimum table size: 42" x 84"
- maximum table size: 60" x 168"

komo base details

grain direction

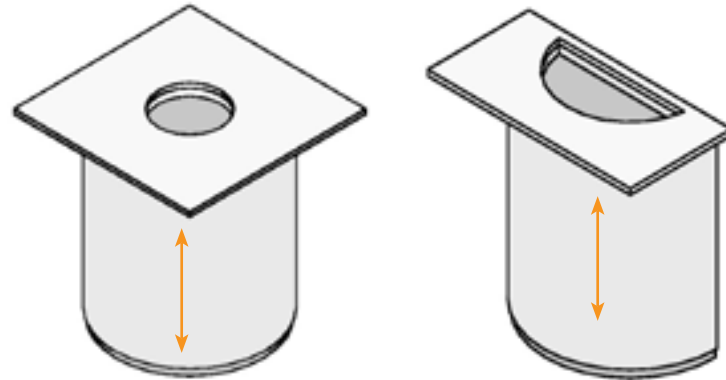


table tops for komo bases

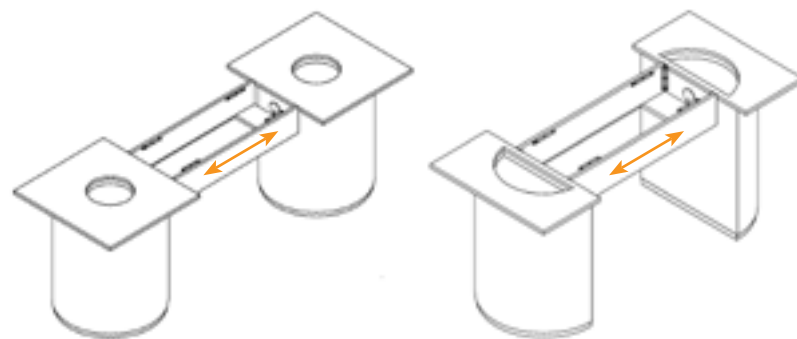


optional kickplate colors



For silver metallic, white or matching PVC kickplate add OP-CONF-71 for \$208 per base.

wire management stretcher trough



Wire management stretcher troughs are 13-1/2" wide x 6-1/2" high, with interior clearance of 12" wide x 5-3/4" high.

komo base for round table tops



pricing



Model Number	Table Top Size(s)	Base Size	Bases Included	Price
CF-BCYL-1-18	36", 42" Round	18	1	\$888
CF-BCYL-1-24	42", 48" or 54" Round	24	1	\$1,263
CF-BCYL-1-30	54" or 60" Round	30	1	\$1,475

- Includes 1-1/8" high black kickplate and leveling glides.
- Add OP-CONF-71 for \$208 per base to upgrade kickplate to silver metallic, white or matching PVC.
- Cylinder bases are hollow with 10" diameter openings at top and bottom for wire management.
- 42" round top on 18" cylinder base and 54" round top on 24" cylinder base will require additional weight (50 pounds minimum) inside the base for stability and to prevent tipping. Sand bags NOT provided.
- Cylinder bases should not be used with square tops.
- Not all standard TFL finishes are available in matching HPL, see deskmakers.com for availability.

optional wire access door

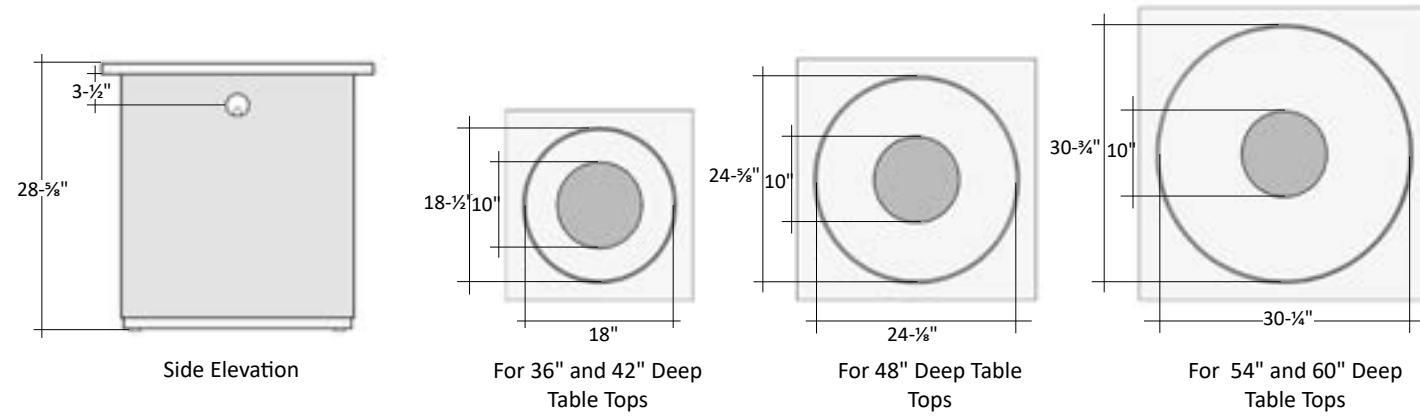


Model Number	Bases Included	Price
OP-CONF-55	for one base	\$948

- Door will be placed near the center of the base. Door is approximately 12" x 12".
- Also includes wire management grommet hole near top of base.

komo cylinder base

dimensions



base placement

rectangular, racetrack, boatshape and bow-end table tops

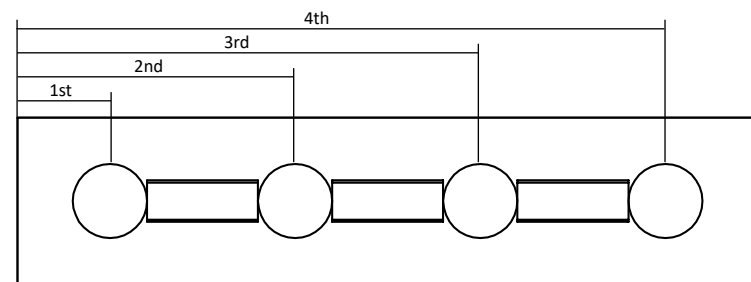


Table Depth	Table Length	Center of 1st Base	Center of 2nd Base	Center of 3rd Base	Center of 4th Base
36	72	21	51		
42	84	27	57		
42	96	27	69		
48	96	30	66		
48	120	30	90		
48	144	30	72	114	
48	168	30	84	138	
48	192	30	96	162	
48	216	30	82	134	186
48	240	30	90	150	210
54/60	144	33	72	111	
54/60	168	33	84	135	
54/60	192	33	96	159	
54/60	216	33	83	133	183
54/60	240	33	91	149	207

pricing

Model Number	Table Top Size(s)	Base Size	Stretcher Length	Price
2 Bases & 1 Stretcher				
CF-BCY2-18-72	36 x 72	18	12	\$2,030
CF-BCY2-18-84	42 x 84	18	12	\$2,089
CF-BCY2-18-96	42 x 96	18	24	\$2,142
CF-BCY2-24-96	48 x 96	24	12	\$2,350
CF-BCY2-24-120	48 x 120	24	36	\$2,408
3 Bases & 2 Stretchers				
CF-BCY3-24-144	48 x 144	24	18	\$4,035
CF-BCY3-30-144	54 x 144, 60 x 144	30	9	\$4,616
CF-BCY3-24-168	48 x 168	24	30	\$4,105
CF-BCY3-30-168	54 x 168, 60 x 168	30	21	\$4,685
CF-BCY4-24-192	48 x 192	24	42	\$4,172
CF-BCY4-30-192	54 x 192, 60 x 192	30	33	\$4,753
4 Bases & 3 Stretchers				
CF-BCY4-24-216	48 x 216	24	28	\$5,669
CF-BCY4-30-216	54 x 216, 60 x 216	30	20	\$6,677
CF-BCY4-24-240	48 x 240	24	36	\$5,842
CF-BCY4-30-240	54 x 240, 60 x 240	30	28	\$6,852

- Includes 1-1/8" high black kickplate and leveling glides.
- Add OP-CONF-71 for \$208 per base to upgrade kickplate to silver metallic, white or matching PVC.
- Cylinder bases are hollow with 10" diameter openings at top and bottom for wire management.
- 18" cylinder base and 24" cylinder base will require additional weight (50 pounds minimum) inside the base for stability and to prevent tipping. Sand bags NOT provided.
- Troughs are 13.5" wide x 6.5" high, with interior clearance of 12" wide x 5.75" high.
- To place a power/data grommet over a base, add OP-CONF-NOTCH for \$567 per base.
- Shipped in pieces and require assembly.
- Not all standard TFL finishes are available in matching HPL, see deskmakers.com for availability.

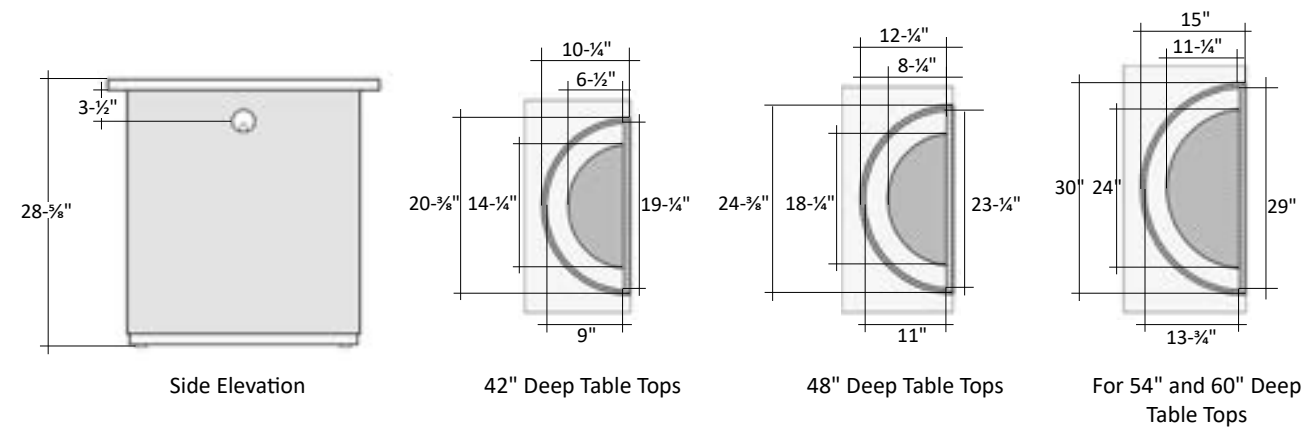
optional wire access door

Model Number	Bases Included	Price
OP-CONF-51-OLD	for one base	\$808

- Door will be placed near the center of the base. Door is approximately 12" x 12".
- Also includes wire management grommet hole near top of base.

komo half cylinder base

dimensions



base placement

rectangular, racetrack, boatshape and bow-end table tops

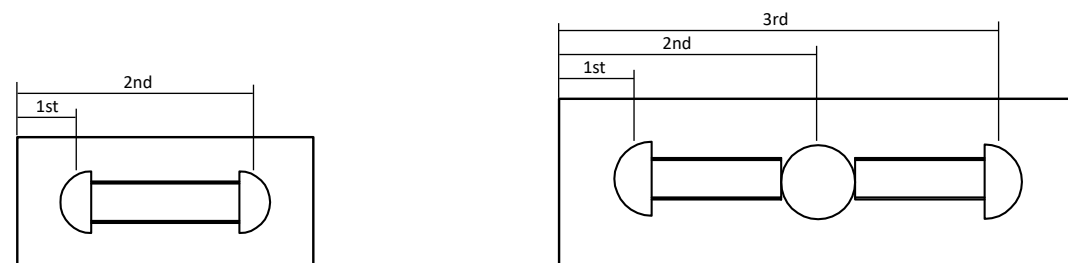


Table Depth	Table Length	Center of 1st Base	Center of 2nd Base
42	84	19	65
42	96	19	77
48	96	24	72

Table Depth	Table Length	Center of 1st Base	Center of 2nd Base	Center of 3rd Base
48	120	24	60	96
48	144	24	72	120
48	168	24	84	144
54/60	144	25-1/2	72	118-1/2
54/60	168	25-1/2	84	142-1/2

pricing

Model Number	Table Top Size(s)	Base Size	Stretcher Length	Price
2 Bases & 1 Stretcher				
CF-BHC2-20-84	42 x 84	20	36	\$2,089
CF-BHC2-20-96	42 x 96	20	40	\$2,142
CF-BHC2-24-96	48 x 96	24	36	\$2,345

- Includes 1-1/8" high black kickplate and leveling glides.
- Add OP-CONF-71 for \$208 per base to upgrade kickplate to silver metallic, white or matching PVC.
- Half-cylinder bases are hollow with openings at top and bottom for wire management.
- Troughs are 13.5" wide x 6.5" high, with interior clearance of 12" wide x 5.75" high.
- To place a power/data grommet over a base, add OP-CONF-NOTCH for \$567 per base.
- Shipped in pieces and require assembly.
- Not all standard TFL finishes are available in matching HPL, see deskmakers.com for availability.

optional wire access door

Model Number	Bases Included	Price
OP-CONF-51-OLD	for one base	\$808

- Door will be placed near the center of the base. Door is approximately 12" x 12".
- Also includes wire management grommet hole near top of base.

pricing

Model Number	Table Top Size(s)	Base Size	Stretcher Length	Price
3 Bases & 2 Stretchers				
CF-BCC3-24-120	48 x 120	24	18	\$3,226
CF-BCC3-24-144	48 x 144	24	30	\$3,812
CF-BCC3-30-144	54 x 144, 60 x 144	30	24	\$4,330
CF-BCC3-24-168	48 x 168	24	42	\$3,881
CF-BCC3-30-168	54 x 168, 60 x 168	30	36	\$4,399

- Tables over 168" long require full cylinder bases.
- Includes 1-1/8" high black kickplate and leveling glides.
- Add OP-CONF-71 for \$208 per base to upgrade kickplate to silver metallic, white or matching PVC.
- Bases are hollow with openings at top and bottom for wire management.
- Troughs are 13.5" wide x 6.5" high, with interior clearance of 12" wide x 5.75" high.
- To place a power/data grommet over a base, add OP-CONF-NOTCH for \$567 per base.
- Shipped in pieces and require assembly.
- Not all standard TFL finishes are available in matching HPL, see deskmakers.com for availability.

hermosa bases



details

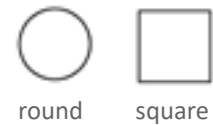
- constructed two of 1-1/8" thick pieces
- edges are 2mm PVC
- standard in TFL, HPL available at an upcharge
- solid construction, cannot route wires through
- Includes levelers
- 18" deep, 24" deep & 30" deep
- 18" wide, 24" wide & 30" wide
- minimum table size: 30" x 30"
- maximum table size: 60" x 60"

orientation

for mounting laminate x-bases on square table tops

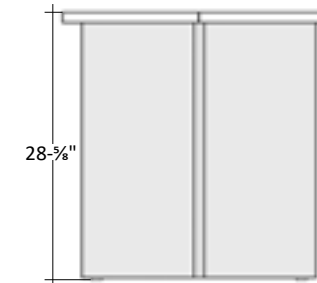


table tops for hermosa bases

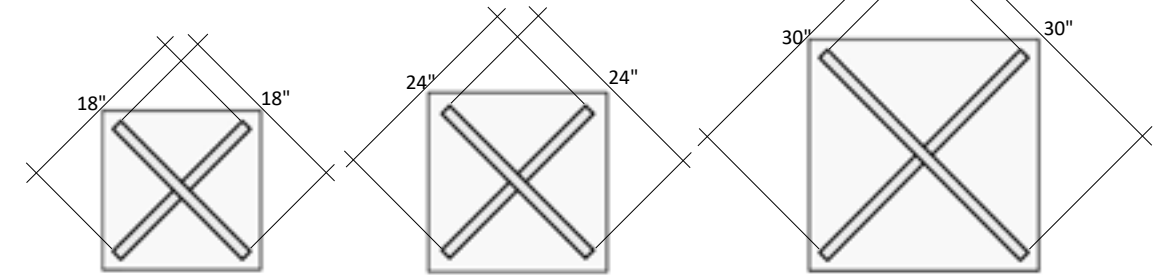


round square

dimensions



Side Elevation

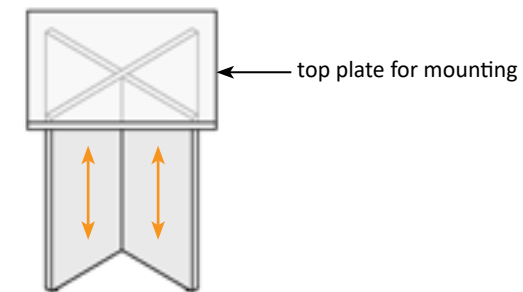


For 30" Deep Table Tops

For 36", 42" and 48" Deep Table Tops

For 54" and 60" Deep Table Tops

grain direction



pricing

Model Number	Table Top Size(s)	Base Size	Bases Included	Price
CF-BLMX-18	30"	18	1	\$308
CF-BLMX-24	36", 42", 48"	24	1	\$356
CF-BLMX-30	54" & 60"	30	1	\$559

- Includes leveling glides.
- Not available with wire access door.

ribbon bases

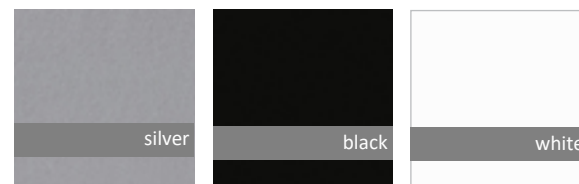


details

- Metal open frame support legs are sold as sets with spanning rods.
- Hairpin legs are sold in sets of 4.
- Legs are constructed of 1/2" thick x 2-1/2" deep steel frame with a powdercoat finish.
- Spanning rods are approximately 1" square steel with a silver powdercoat finish.
- Includes leveling glides. Levelers will add 3/4" in height.
- Support legs are 19" wide, 24" wide, 30" wide & 36" wide.
- Ribbon conference table bases can be completed with rectangular or boatshaped tops.
- Minimum table size: 36" x 72"; maximum table size: 60" x 240".
- Made in America.

finishes

standard



dimensions

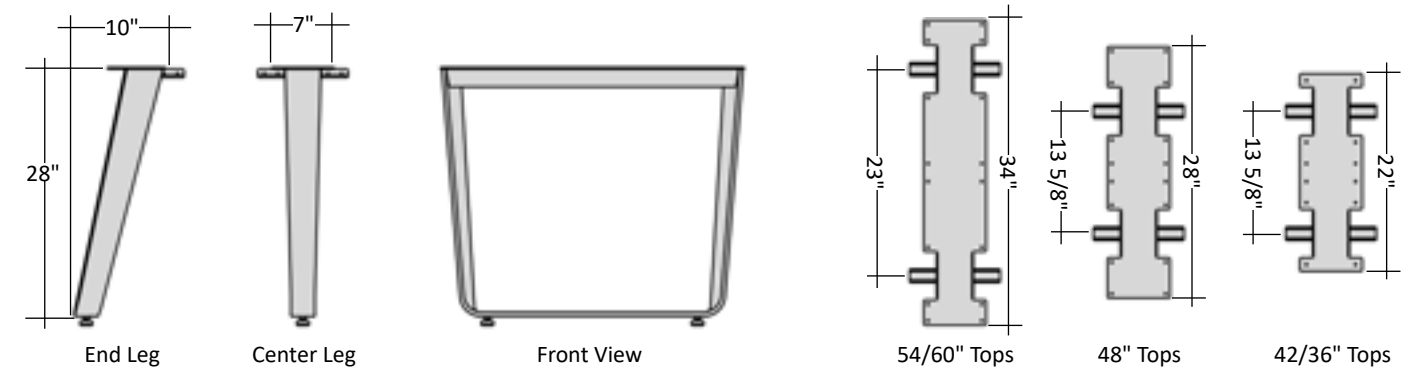


table tops for ribbon bases

not compatible with sightline tops



dimensions

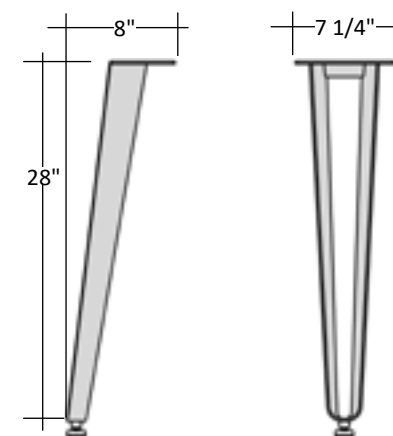
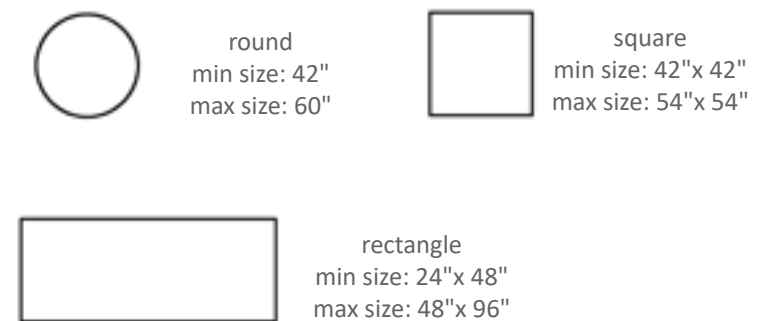


table tops for hairpin legs

one piece table tops only



base placement for open frame legs

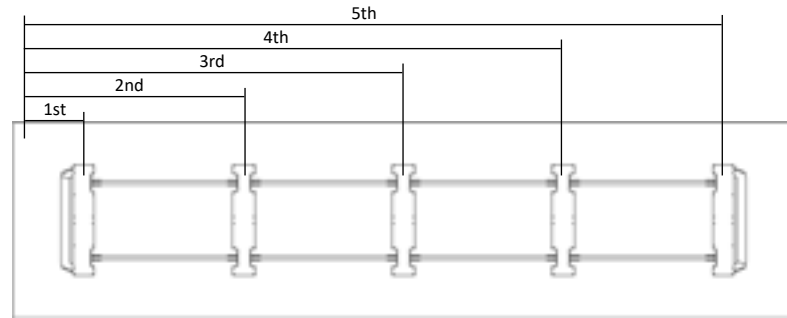
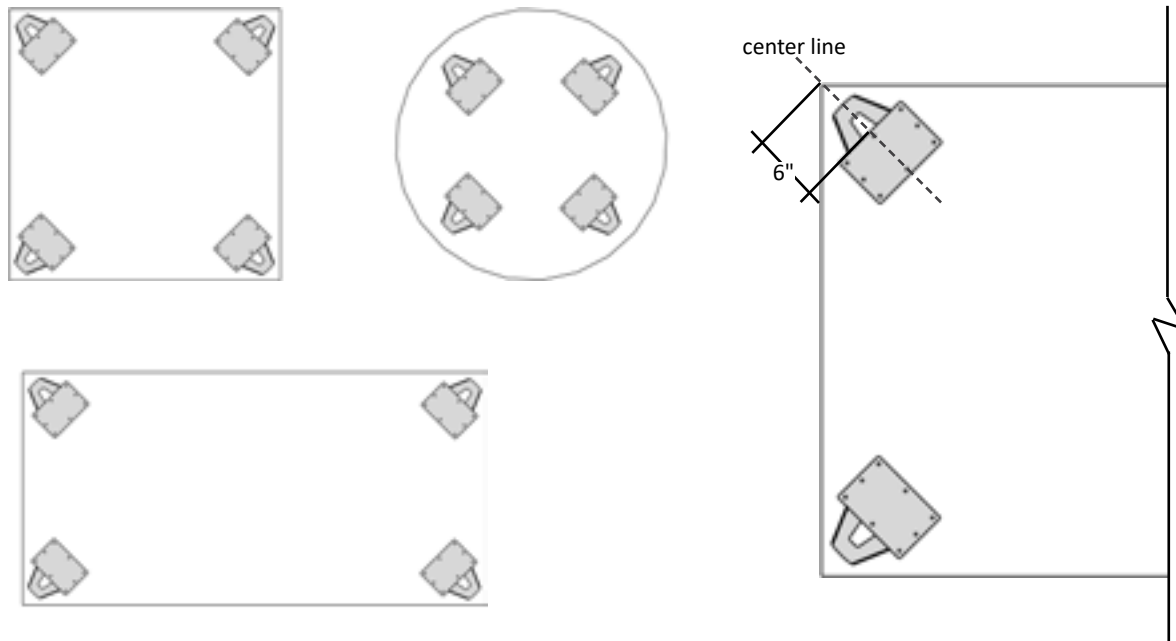
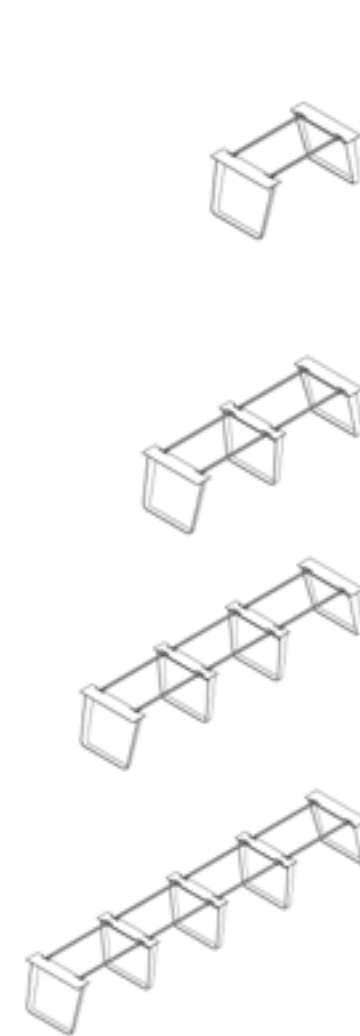


Table Depth	Table Length	Center of 1st Base	Center of 2nd Base	Center of 3rd Base	Center of 4th Base	Center of 5th Base
36	72	22 1/4	49 3/4			
42/48	84	22 1/4	61 3/4			
42/48	96	22 1/4	73 3/4			
48	120	21 3/4	60	98 1/4		
48/54/60	144	21 3/4	72	122 1/4		
48/54/60	168	22 1/4	63 1/2	104 1/2	145 3/4	
48/54/60	192	22 1/4	71 1/2	120 1/2	169 3/4	
48/54/60	216	21 3/4	65	108	151	194 1/4
48/54/60	240	21 3/4	71	120	169	218 1/4

base placement for hairpin legs



loop leg conference table sets



Model Number	Table Top Size	Base Size	Spanning Rod Length	Price
2 Bases & 2 Spanning Rods				
RB-ULG1-22-72-??	36 x 72	22	28	\$4,062
RB-ULG1-22-84-??	42 x 84	22	34	\$4,120
RB-ULG1-28-84-??	48 x 84	28	34	\$4,542
RB-ULG1-22-96-??	42 x 96	22	46	\$4,156
RB-ULG1-28-96-??	48 x 96	28	46	\$4,542
3 Bases & 4 Spanning Rods				
RB-ULG1-28-120-??	48 x 120	28	33	\$6,851
RB-ULG1-28-144-??	48 x 144	28	45	\$6,947
RB-ULG1-34-144-??	54 x 144, 60 x 144	34	45	\$6,947
4 Bases & 6 Spanning Rods				
RB-ULG1-28-168-??	48 x 168	28	37 3/8	\$9,252
RB-ULG1-34-168-??	54 x 168, 60 x 168	34	37 3/8	\$9,252
RB-ULG1-28-192-??	48 x 192	28	44 3/4	\$9,252
RB-ULG1-34-192-??	54 x 192, 60 x 192	34	44 3/4	\$9,354
5 Bases & 8 Spanning Rods				
RB-ULG1-28-216-??	48 x 216	28	37 5/8	\$11,689
RB-ULG1-34-216-??	54 x 216, 60 x 216	34	37 5/8	\$11,689
RB-ULG1-28-240-??	48 x 240	28	44 5/8	\$11,761
RB-ULG1-34-240-??	54 x 240, 60 x 240	34	44 5/8	\$11,761

- Includes leveling glides.
- Legs are constructed of solid steel frame with a powdercoat finish.
- Spanning rods are approximately 1" square steel with a powdercoat finish.
- Dimensions are nominal.
- To order, replace "??" with "SV" for silver. "BK" for black and "WT" for white finish.

hairpin leg set



Model Number	Max Table Top Size	Base Height	Legs Included	Price
RB-RPST-SET-??	48 x 96	28	4	\$3,944

- Includes leveling glides.
- Legs are constructed of solid steel frame with a powdercoat finish.
- Dimensions are nominal.
- To order, replace "??" with "SV" for silver. "BK" for black and "WT" for white finish.

surfside bases

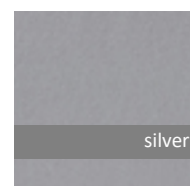


details

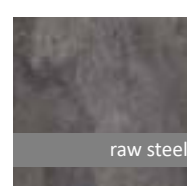
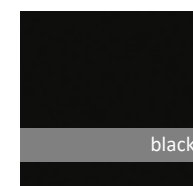
- Metal open frame support legs are sold as sets with spanning rods.
- Legs are constructed of 1" thick x 2-1/2" deep steel frame with a silver powdercoat finish.
- Spanning rods are approximately 1" square steel with a powdercoat finish.
- Includes leveling glides. Levelers will add 3/4" in height.
- Metal open frame support legs are sold as sets with spanning rods.
- 19" wide, 24" wide, 30" wide & 36" wide
- rectangular, racetrack, boatshaped and bow-end tops
- minimum table size: 36" x 72"; maximum table size: 60" x 240"

finishes

standard



premium - 10% upcharge (OP-COLOR)



dimensions

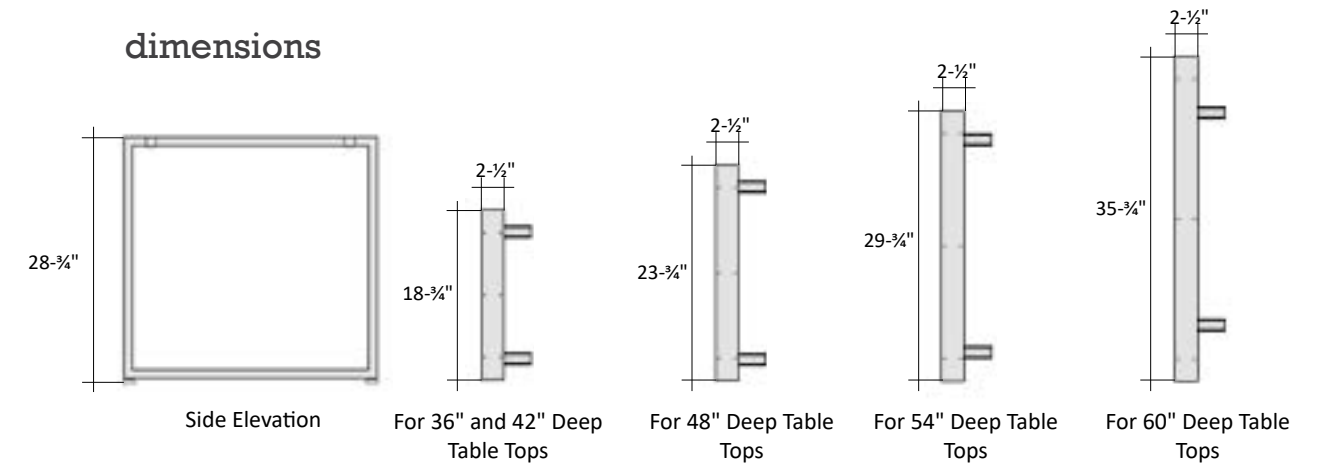


table tops for surfside bases



base placement

rectangular, racetrack, boatshape and bow-end table tops

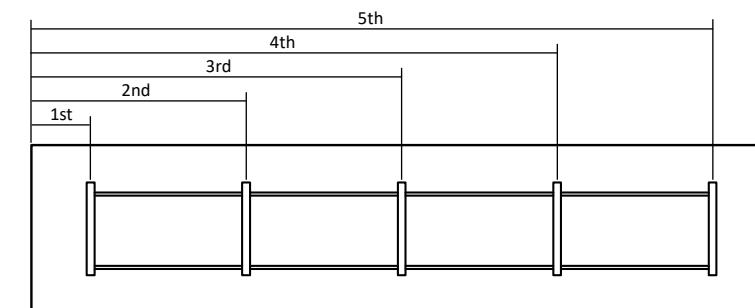


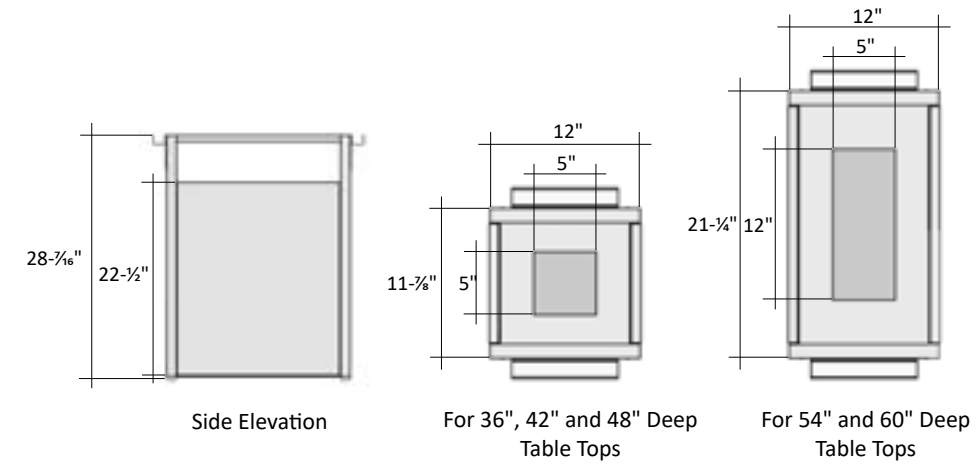
Table Depth	Table Length	Center of 1st Base	Center of 2nd Base	Center of 3rd Base	Center of 4th Base	Center of 5th Base
36	72	16-1/4	55-3/4			
42/48	84	19-1/4	64-3/4			
42/48	96	19-1/4	79-3/4			
48	120	19-1/4	60	100-3/4		
48/54/60	144	19-1/4	72	124-3/4		
48/54/60	168	19-1/4	62-7/16	105-9/16	148-3/4	
48/54/60	192	19-1/4	70-7/16	121-9/16	172-3/4	
48/54/60	216	19-1/4	63-5/8	108	152-3/8	196-3/4
48/54/60	240	19-1/4	69-5/8	120	170-3/8	220-3/4

wire management bases

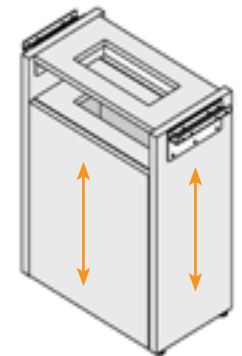
surfside and sunset series



dimensions



grain direction

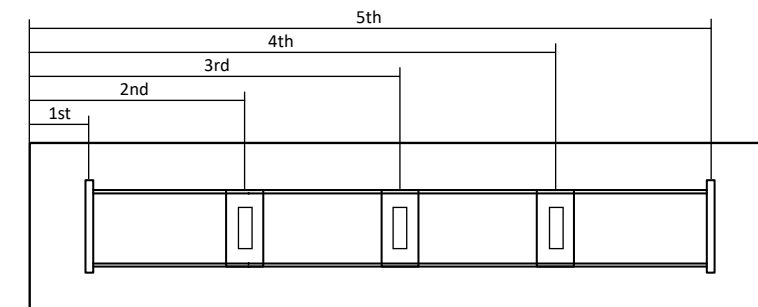


details

- include metal mounting brackets and adjustable glides.
- hinged access doors both sides.
- edges are standard 2MM PVC edgebanding.
- rolled stainless steel can be added to the doors, edges with rolled steel finish are 2MM PVC.
- laminate wire-management bases are not available with kickplate.

base placement

rectangular, racetrack, boatshape and bow-end table tops



wire management baskets



Model Number	Width	Length	Height	Price
SY-WMBT-0836	8	36	2	\$161
SY-WMBT-0842	8	42	2	\$169
SY-WMBT-0848	8	48	2	\$214
SY-WMBT-0860	8	60	2	\$237
SY-WMBT-0872	8	72	2	\$248

- Includes mounting brackets.
- Chrome finish only.

Table Depth	Table Length	Center of 1st Base	Center of 2nd Base	Center of 3rd Base	Center of 4th Base	Center of 5th Base
36	72	16-1/4	55-3/4			
42/48	84	19-1/4	64-3/4			
42/48	96	19-1/4	79-3/4			
48	120	19-1/4	60	100-3/4		
48/54/60	144	19-1/4	72	124-3/4		
48/54/60	168	19-1/4	62-7/16	105-9/16	148-3/4	
48/54/60	192	19-1/4	70-7/16	121-9/16	172-3/4	
48/54/60	216	19-1/4	63-5/8	108	152-3/8	196-3/4
48/54/60	240	19-1/4	69-5/8	120	170-3/8	220-3/4

surfside bases

pricing

Model Number	Table Top Size	Base Size	Spanning Rod Length	Price
2 Bases & 2 Spanning Rods				
CF-OLG1-19-72	36 x 72	19	37	\$1,336
CF-OLG1-19-84	42 x 84	19	43	\$1,362
CF-OLG1-24-84	48 x 84	24	43	\$1,434
CF-OLG1-19-96	42 x 96	19	55	\$1,382
CF-OLG1-24-96	48 x 96	24	55	\$1,454
3 Bases & 4 Spanning Rods				
CF-OLG1-24-120	48 x 120	24	38 1/4	\$2,347
CF-OLG1-24-144	48 x 144	24	50 1/4	\$2,391
CF-OLG1-30-144	54 x 144	30	50 1/4	\$2,532
CF-OLG1-36-144	60 x 144	36	50 1/4	\$2,682
4 Bases & 6 Spanning Rods				
CF-OLG1-24-168	48 x 168	24	40 3/4	\$3,292
CF-OLG1-30-168	54 x 168	30	40 3/4	\$3,470
CF-OLG1-36-168	60 x 168	36	40 3/4	\$3,660
CF-OLG1-24-192	48 x 192	24	48 3/4	\$3,328
CF-OLG1-30-192	54 x 192	30	48 3/4	\$3,506
CF-OLG1-36-192	60 x 192	36	48 3/4	\$3,696
5 Bases & 8 Spanning Rods				
CF-OLG1-24-216	48 x 216	24	41 3/4	\$4,221
CF-OLG1-30-216	54 x 216	30	41 3/4	\$4,436
CF-OLG1-36-216	60 x 216	36	41 3/4	\$4,666
CF-OLG1-24-240	48 x 240	24	47 3/4	\$4,269
CF-OLG1-30-240	54 x 240	30	47 3/4	\$4,484
CF-OLG1-36-240	60 x 240	36	47 3/4	\$4,714

- Includes leveling glides.
- Legs are constructed of 1" thick x 2-1/2" deep steel frame with a silver powdercoat finish.
- Spanning rods are approximately 1" square steel with a powdercoat finish.
- Dimensions are nominal.



surfside with wire management base

pricing

Model Number	Table Top Size	Base Size	Spanning Rod Length	Price
3 Bases & 4 Spanning Rods				
CF-OLGW-19-72	36 x 72	19	18 1/2	\$2,600
CF-OLGW-19-84	42 x 84	19	21 1/2	\$2,612
CF-OLGW-24-84	48 x 84	24	21 1/2	\$2,684
CF-OLGW-19-96	42 x 96	19	27 1/2	\$2,628
CF-OLGW-24-96	48 x 96	24	27 1/2	\$2,700
CF-OLGW-24-120	48 x 120	24	39 1/2	\$2,832
CF-OLGW-24-144	48 x 144	24	51 1/2	\$2,876
CF-OLGW-30-144	54 x 144	30	51 1/2	\$3,105
CF-OLGW-36-144	60 x 144	36	51 1/2	\$3,215
4 Bases & 6 Spanning Rods				
CF-OLGW-24-168	48 x 168	24	43	\$4,262
CF-OLGW-30-168	54 x 168	30	43	\$4,616
CF-OLGW-36-168	60 x 168	36	43	\$4,726
CF-OLGW-24-192	48 x 192	24	50 1/4	\$4,304
CF-OLGW-30-192	54 x 192	30	50 1/4	\$4,658
CF-OLGW-36-192	60 x 192	36	50 1/4	\$4,768
5 Bases & 8 Spanning Rods				
CF-OLGW-24-216	48 x 216	24	43 3/4	\$5,708
CF-OLGW-30-216	54 x 216	30	43 3/4	\$6,187
CF-OLGW-36-216	60 x 216	36	43 3/4	\$6,297
CF-OLGW-24-240	48 x 240	24	49 3/4	\$5,724
CF-OLGW-30-240	54 x 240	30	49 3/4	\$6,203
CF-OLGW-36-240	60 x 240	36	49 3/4	\$6,313

- Includes leveling glides.
- Legs are constructed of 1" thick x 2-1/2" deep steel frame with a silver powdercoat finish.
- Spanning rods are approximately 1" square steel with a powdercoat finish.
- Dimensions are nominal.
- Wire management bases include metal mounting brackets and adjustable glides.
- Wire management bases include hinged access doors both sides.
- Edges of wire management bases are DeskMakers standard 2MM PVC edgebanding.
- For rolled stainless steel to the doors only, add SY-OPTN-BOX-STL for \$841. Edges with rolled steel finish are 2MM PVC.
- Laminate wire-management bases are not available with kickplate.



sunset bases

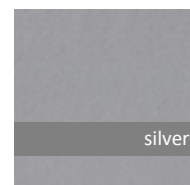


details

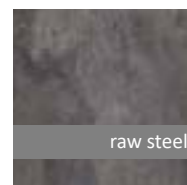
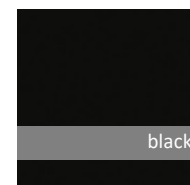
- Metal A-frame support legs are sold as sets with spanning rods.
- Legs are constructed of 1" thick x 2-1/2" deep steel frame with a silver powdercoat finish.
- Spanning rods are approximately 1" square steel with a powdercoat finish.
- Includes leveling glides. Levelers will add 3/4" in height.
- Metal open frame support legs are sold as sets with spanning rods.
- 19" wide, 24" wide, 30" wide & 36" wide
- rectangular, racetrack, boatshaped and bow-end tops
- minimum table size: 36" x 72"; maximum table size: 60" x 240"

finishes

standard



premium - 10% upcharge (OP-COLOR)



dimensions

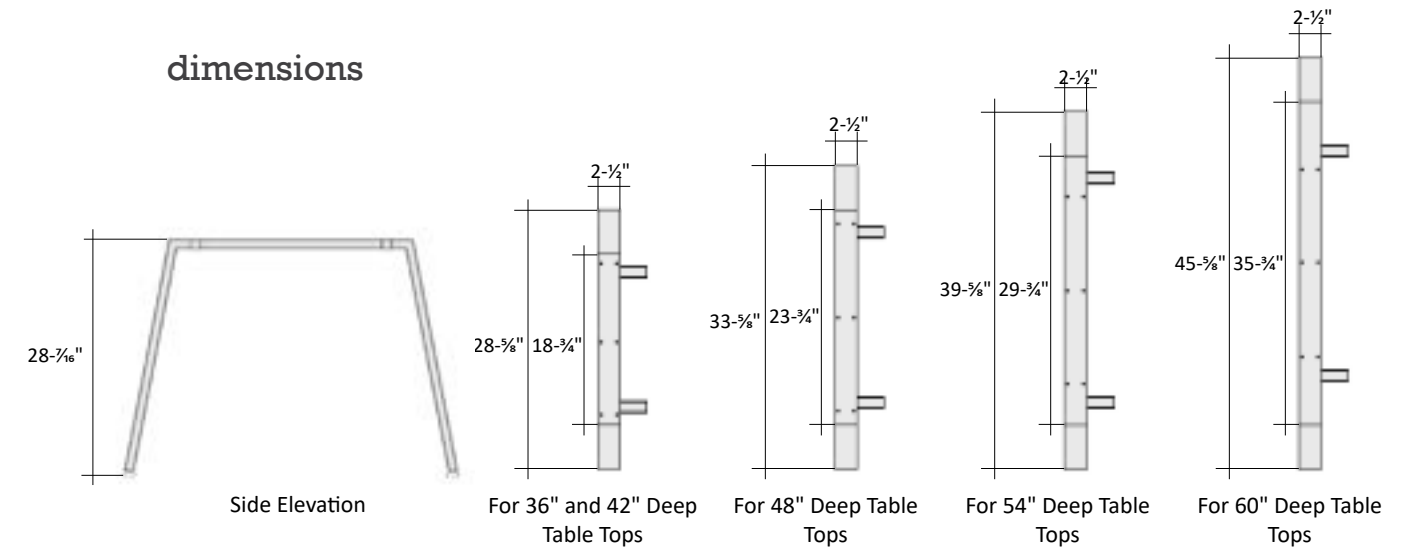


table tops for sunset bases



base placement

rectangular, racetrack, boatshape and bow-end table tops

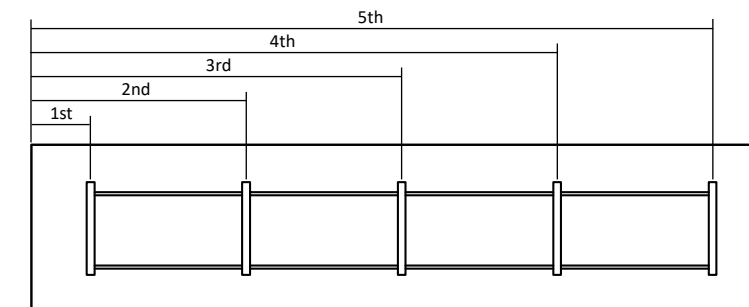


Table Depth	Table Length	Center of 1st Base	Center of 2nd Base	Center of 3rd Base	Center of 4th Base	Center of 5th Base
36	72	16-1/4	55-3/4			
42/48	84	19-1/4	64-3/4			
42/48	96	19-1/4	79-3/4			
48	120	19-1/4	60	100-3/4		
48/54/60	144	19-1/4	72	124-3/4		
48/54/60	168	19-1/4	62-7/16	105-9/16	148-3/4	
48/54/60	192	19-1/4	70-7/16	121-9/16	172-3/4	
48/54/60	216	19-1/4	63-5/8	108	152-3/8	196-3/4
48/54/60	240	19-1/4	69-5/8	120	170-3/8	220-3/4

sunset bases

pricing

Model Number	Table Top Size	Base Size	Spanning Rod Length	Price
2 Bases & 2 Spanning Rods				
CF-ALG1-29-72	36 x 72	19/29	37	\$1,138
CF-ALG1-29-84	42 x 84	19/29	43	\$1,164
CF-ALG1-34-84	48 x 84	24/34	43	\$1,190
CF-ALG1-29-96	42 x 96	19/29	55	\$1,190
CF-ALG1-34-96	48 x 96	24/34	55	\$1,210
3 Bases & 4 Spanning Rods				
CF-ALG1-34-120	48 x 120	24/34	38 1/4	\$1,986
CF-ALG1-34-144	48 x 144	24/34	50 1/4	\$2,030
CF-ALG1-40-144	54 x 144	30/40	50 1/4	\$2,067
CF-ALG1-46-144	60 x 144	36/46	50 1/4	\$2,113
4 Bases & 6 Spanning Rods				
CF-ALG1-34-168	48 x 168	24/34	40 3/4	\$2,814
CF-ALG1-40-168	54 x 168	30/40	40 3/4	\$2,862
CF-ALG1-46-168	60 x 168	36/46	40 3/4	\$2,928
CF-ALG1-34-192	48 x 192	24/34	48 3/4	\$2,850
CF-ALG1-40-192	54 x 192	30/40	48 3/4	\$2,898
CF-ALG1-46-192	60 x 192	36/46	48 3/4	\$2,964
5 Bases & 8 Spanning Rods				
CF-ALG1-34-216	48 x 216	24/34	41 3/4	\$3,626
CF-ALG1-40-216	54 x 216	30/40	41 3/4	\$3,685
CF-ALG1-46-216	60 x 216	36/46	41 3/4	\$3,771
CF-ALG1-34-240	48 x 240	24/34	47 3/4	\$3,674
CF-ALG1-40-240	54 x 240	30/40	47 3/4	\$3,733
CF-ALG1-46-240	60 x 240	36/46	47 3/4	\$3,819

- Includes leveling glides.
- Legs are constructed of 1" thick x 2-1/2" deep steel frame with a silver powdercoat finish.
- Spanning rods are approximately 1" square steel with a powdercoat finish.
- Dimensions are nominal.



sunset with wire management base

pricing

Model Number	Table Top Size	Base Size	Spanning Rod Length	Price
3 Bases & 4 Spanning Rods				
CF-ALGW-29-72	36 x 72	19/29	18 1/2	\$2,402
CF-ALGW-29-84	42 x 84	19/29	21 1/2	\$2,414
CF-ALGW-34-84	48 x 84	24/34	21 1/2	\$2,440
CF-ALGW-29-96	42 x 96	19/29	27 1/2	\$2,430
CF-ALGW-34-96	48 x 96	24/34	27 1/2	\$2,552
CF-ALGW-34-120	48 x 120	24/34	39 1/2	\$2,588
CF-ALGW-34-144	48 x 144	24/34	51 1/2	\$2,632
CF-ALGW-40-144	54 x 144	30/40	51 1/2	\$2,783
CF-ALGW-46-144	60 x 144	36/46	51 1/2	\$2,809
4 Bases & 6 Spanning Rods				
CF-ALGW-34-168	48 x 168	24/34	43	\$4,018
CF-ALGW-40-168	54 x 168	30/40	43	\$4,294
CF-ALGW-46-168	60 x 168	36/46	43	\$4,320
CF-ALGW-34-192	48 x 192	24/34	50 1/4	\$4,060
CF-ALGW-40-192	54 x 192	30/40	50 1/4	\$4,336
CF-ALGW-46-192	60 x 192	36/46	50 1/4	\$4,362
5 Bases & 8 Spanning Rods				
CF-ALGW-34-216	48 x 216	24/34	43 3/4	\$5,464
CF-ALGW-40-216	54 x 216	30/40	43 3/4	\$5,865
CF-ALGW-46-216	60 x 216	36/46	43 3/4	\$5,891
CF-ALGW-34-240	48 x 240	24/34	49 3/4	\$5,480
CF-ALGW-40-240	54 x 240	30/40	49 3/4	\$5,881
CF-ALGW-46-240	60 x 240	36/46	49 3/4	\$5,907

- Includes leveling glides.
- Legs are constructed of 1" thick x 2-1/2" deep steel frame with a silver powdercoat finish.
- Spanning rods are approximately 1" square steel with a powdercoat finish.
- Dimensions are nominal.
- Wire management bases include metal mounting brackets and adjustable glides.
- Wire management bases include hinged access doors both sides.
- Edges of wire management bases are DeskMakers standard 2MM PVC edgebanding.
- For rolled stainless steel to the doors only, add SY-OPTN-BOX-STL for \$841. Edges with rolled steel finish are 2MM PVC.
- Laminate wire-management bases are not available with kickplate.



beacon base



details

- tables tops are sold separately
- 3" diameter column on 20" base, 4" diameter column on 24" and 32"
- glides have 1/8" adjustability and raise the base 1/4" above the floor
- top and bottom plates are bolted to column, field assembly required
- powdercoat finish
- available in occasional, desk and standing heights

finishes

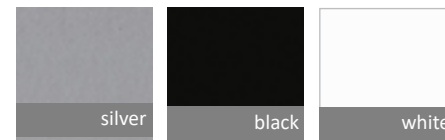
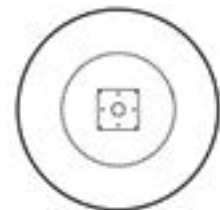
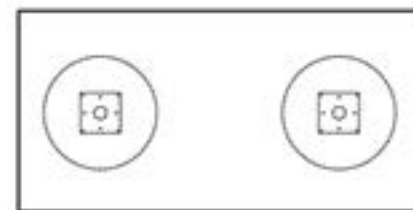


table tops for use with beacon bases

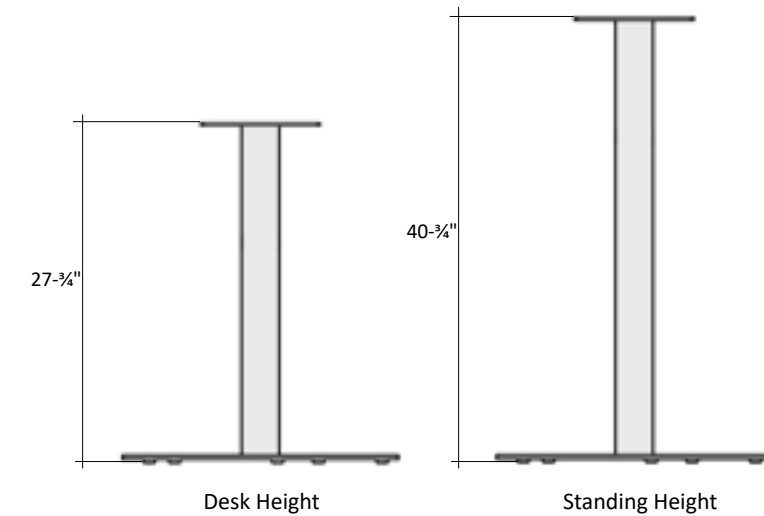
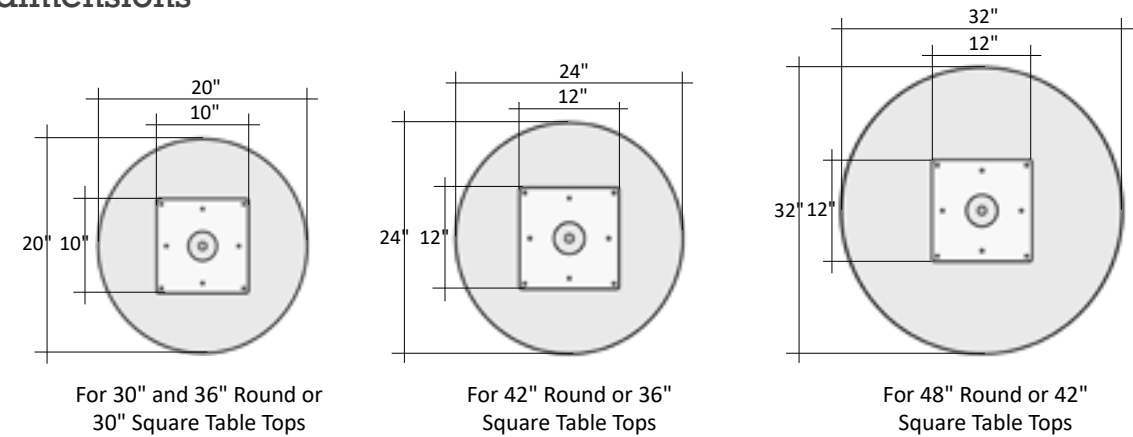


Maximum 48" Round Table Top



Maximum 48" x 96" one piece Table Top

dimensions

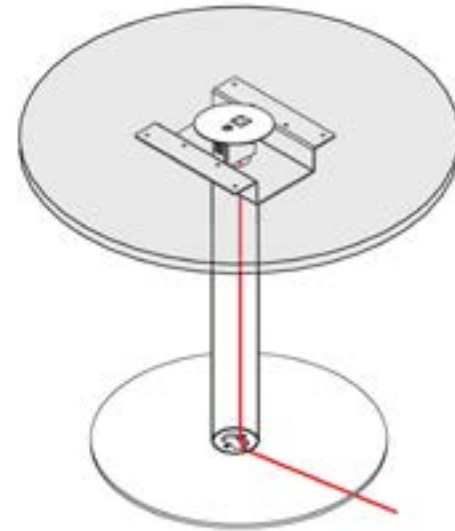


pricing

Model Number	Table Top Size	Base Height	Base Size	Bases Included	Price
Desk Height					
CF-RDDK-01-20-??	30" or 36" round or 30" square	27 3/4	20	1	\$1,041
CF-RDDK-01-24-??	42" round or 36" square	27 3/4	24	1	\$1,104
CF-RDDK-01-32-??	48" round or 42" square	27 3/4	32	1	\$1,439
Standing Height					
CF-RDDK-05-20-??	30" or 36" round or 30" square	40 3/4	20	1	\$1,184
CF-RDDK-05-24-??	42" round or 36" square	40 3/4	24	1	\$1,247
CF-RDDK-05-32-??	48" round or 42" square	40 3/4	32	1	\$1,455

- Includes leveling glides.
- To order, replace "??" with SV for Silver, BK for Black or WT for White finish.

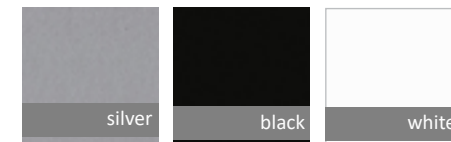
beacon power base



details

- tables tops are sold separately
- allows cords to pass through the base and exit at the bottom underneath the disc base
- 3" diameter column on 20" base, 4" diameter column on 24" and 32"
- top plate allows for centered power grommet
- glides have 1/8" adjustability and raise the base 1/4" above the floor
- top and bottom plates are bolted to column, field assembly required
- powdercoat finish
- available in occasional, desk and standing heights

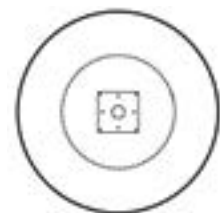
finishes



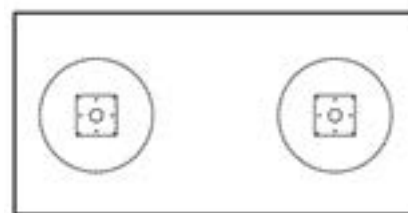
compliant electrical units

- AC-ELCV-AC02
- AC-ELCV-AC03
- AC-PWRG-06
- AC-ELV1-01
- AC-ELV1-01-USB

table tops for use with beacon bases

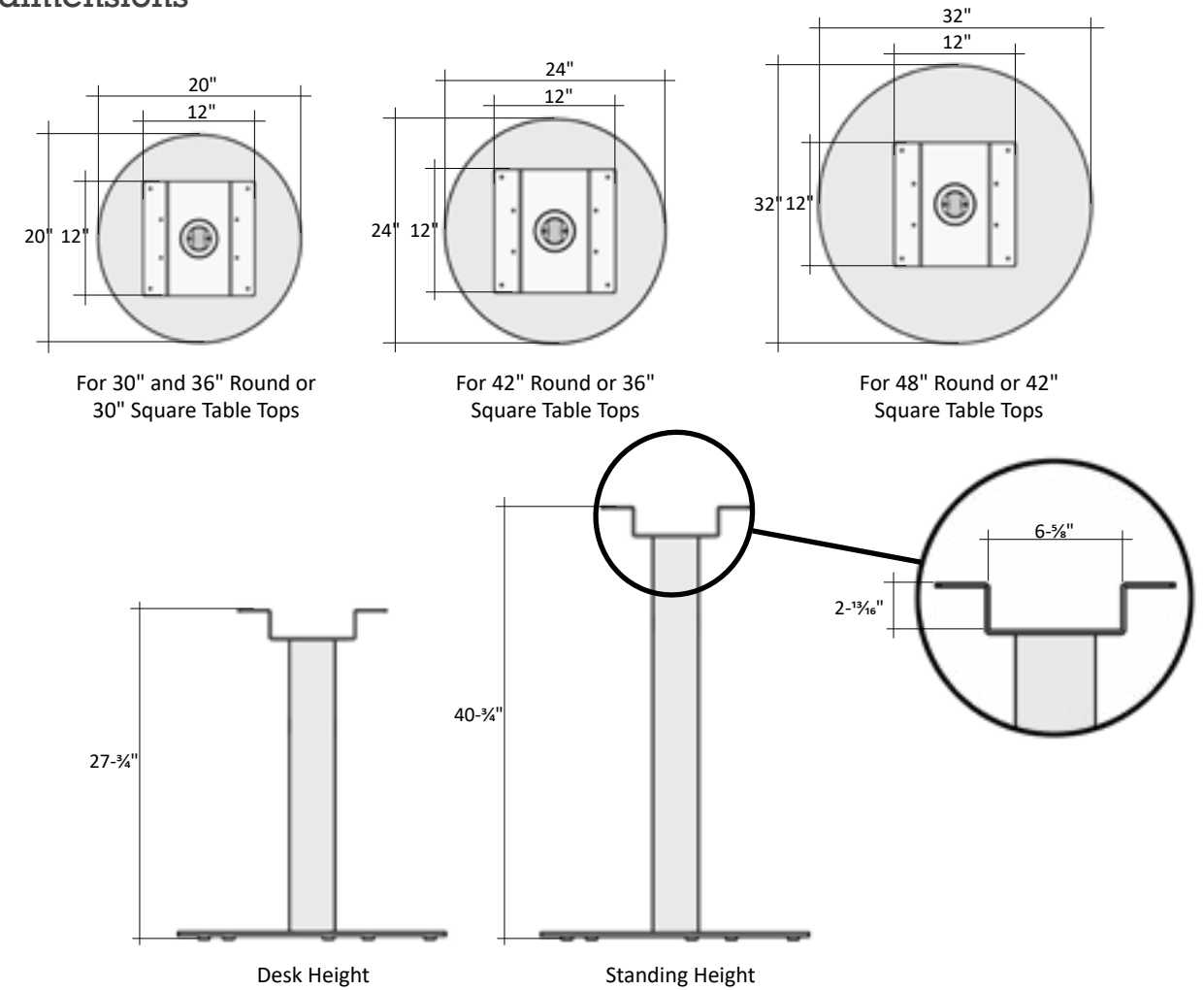


Maximum 48" Round Table Top



Maximum 48" x 96" one piece Table Top

dimensions



pricing

Model Number	Table Top Size	Base Height	Base Size	Bases Included	Price
Desk Height					
CF-RDDK-EL01-20-??	24", 30" or 36" round or 24" or 30" square	27 3/4	20	1	\$1,357
CF-RDDK-EL01-24-??	42" round or 36" square	27 3/4	24	1	\$1,419
CF-RDDK-EL01-32-??	48" round or 42" square	27 3/4	32	1	\$1,629
Standing Height					
CF-RDDK-EL05-20-??	24", 30" or 36" round or 24" or 30" square	40 3/4	20	1	\$1,498
CF-RDDK-EL05-24-??	42" round or 36" square	40 3/4	24	1	\$1,561
CF-RDDK-EL05-32-??	48" round or 42" square	40 3/4	32	1	\$1,770

- Includes leveling glides.
- To order, replace "??" with SV for Silver, BK for Black or WT for White finish.

mission base



details

- tables tops are sold separately
- 3" x 3" square column
- top and bottom plates are bolted to column, field assembly required
- glides have 1/8" adjustability and raise the base 1/4" above the floor
- powdercoat finish
- available in occasional, desk and standing heights

finishes

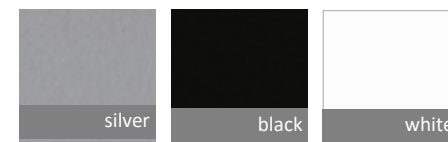
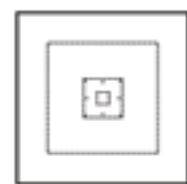
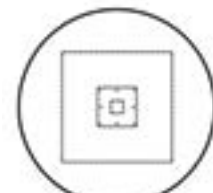


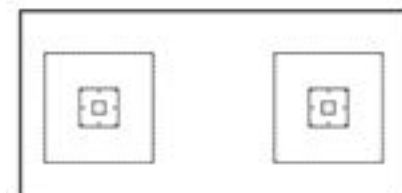
table tops for use with mission bases



Maximum 42" Square Table Top

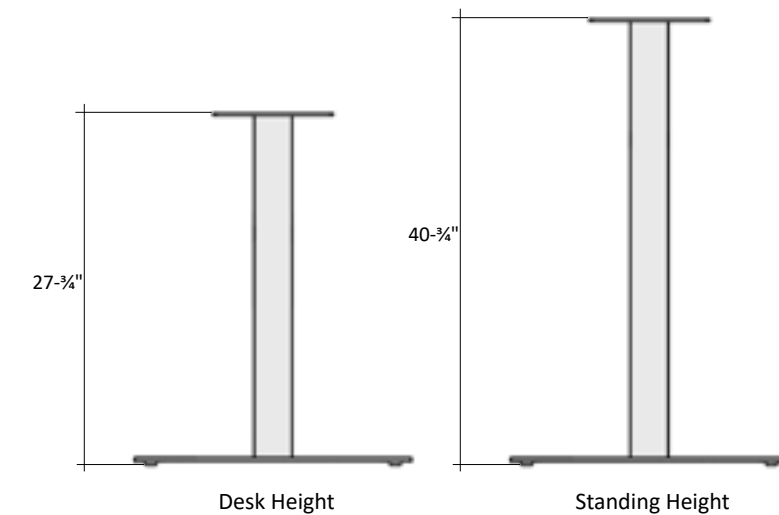
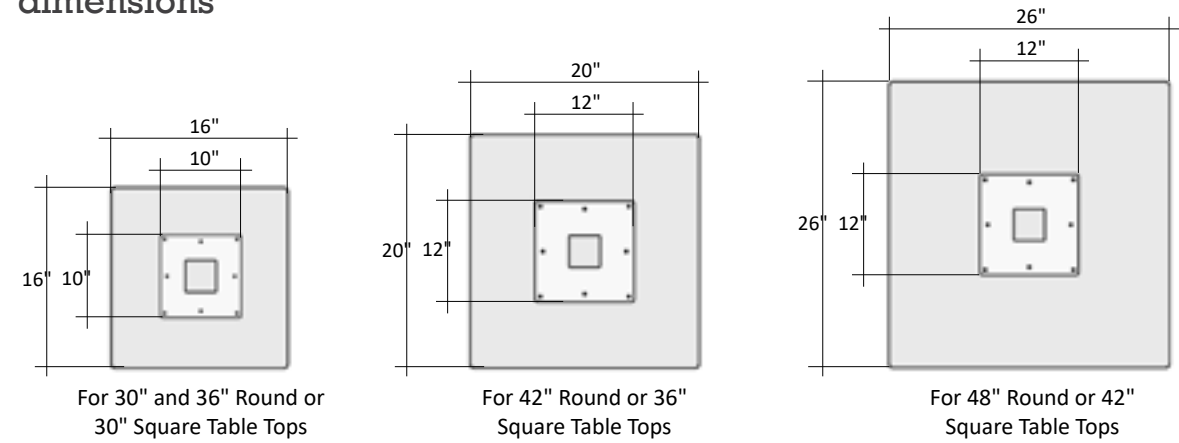


Maximum 48" Round Table Top



Maximum 48" x 96" one piece Table Top

dimensions



pricing

Model Number	Table Top Size	Base Height	Base Size	Bases Included	Price
Desk Height					
CF-SQDK-01-16-??	24", 30" or 36" round or 24" or 30" square	27 3/4	16	1	\$1,041
CF-SQDK-01-20-??	42" round or 36" square	27 3/4	20	1	\$1,104
CF-SQDK-01-26-??	48" round or 42" square	27 3/4	26	1	\$1,313
Standing Height					
CF-SQDK-05-16-??	24", 30" or 36" round or 24" or 30" square	40 3/4	16	1	\$1,183
CF-SQDK-05-20-??	42" round or 36" square	40 3/4	20	1	\$1,246
CF-SQDK-05-26-??	48" round or 42" square	40 3/4	26	1	\$1,455

- Includes leveling glides.
 - To order, replace "??" with SV for Silver, BK for Black or WT for White finish.

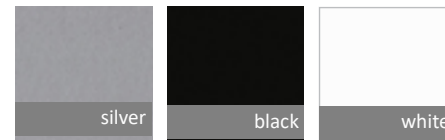
newport base



details

- 3" diameter column and feet are 1-7/8" diameter
- fully welded construction of top plate to column
- x-base is bolted to column, field assembly required
- glides have 3/8" long stem
- 14 gauge tube steel with 25% recycled content
- powdercoat finish
- available in desk and standing heights

finishes



orientation

for mounting x-bases on square table tops

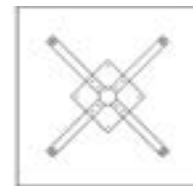
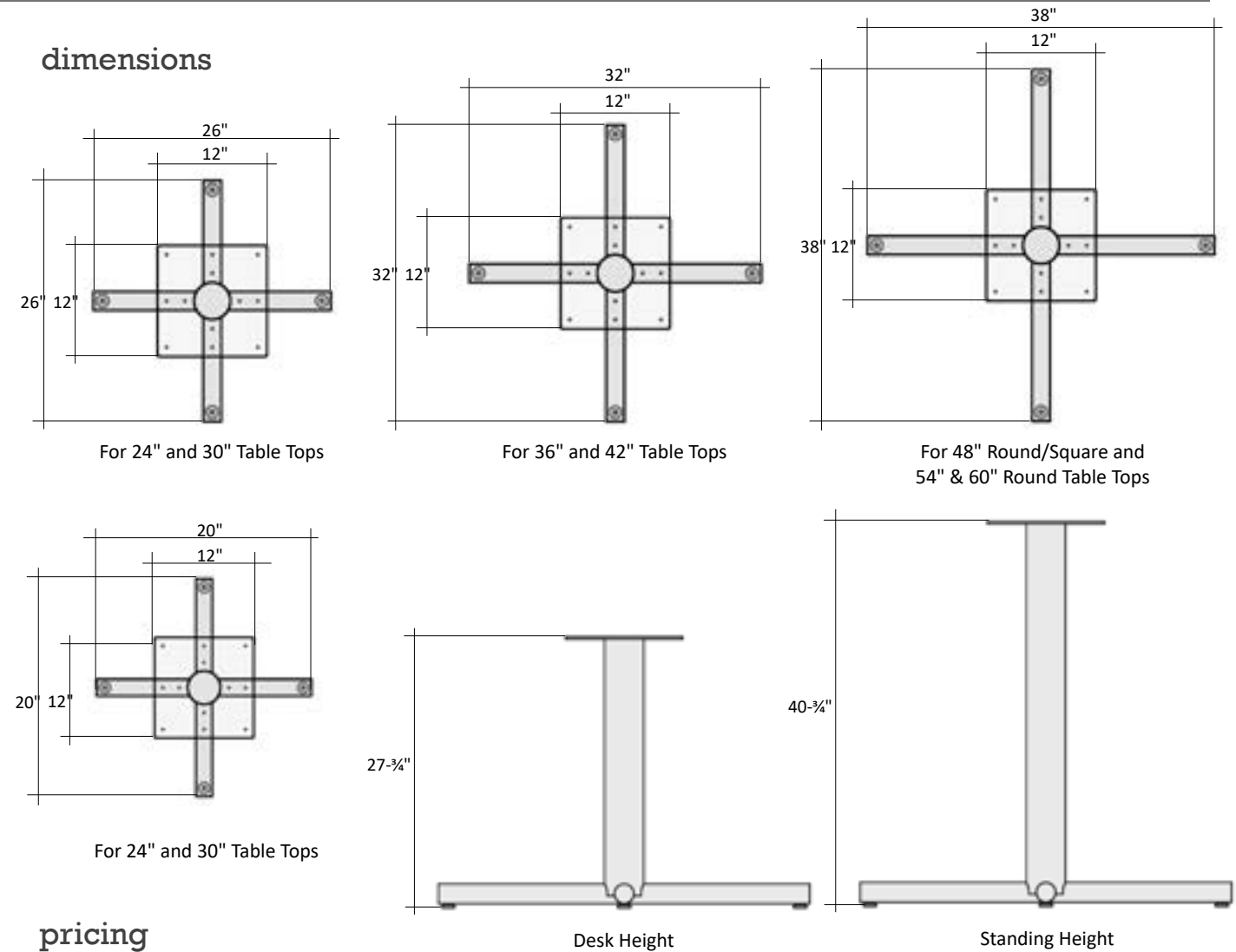


table tops for newport x-bases



dimensions



pricing

Model Number	Table Top Size	Base Height	Base Size	Bases Included	Silver	Black & White
Desk Height						
CF-BMMX-01-20-??	24" round & square	27 3/4	20	1	\$608	\$668
CF-BMMX-01-24-??	30" round & square	27 3/4	26	1	\$718	\$790
CF-BMMX-01-30-??	36" & 42" round & square	27 3/4	32	1	\$834	\$918
CF-BMMX-01-60-??	48" round & square; 54" & 60" round	27 3/4	38	1	\$863	\$949
Standing Height						
CF-BMMX-05-20-??	24" round & square	40 3/4	20	1	\$759	\$835
CF-BMMX-05-24-??	30" round & square	40 3/4	26	1	\$893	\$982
CF-BMMX-05-30-??	36" & 42" round & square	40 3/4	32	1	\$958	\$1,054
CF-BMMX-05-60-??	48" round & square; 54" & 60" round	40 3/4	38	1	\$1,023	\$1,125

- Includes leveling glides.
 - To order, replace "??" with SV for Silver, BK for Black or WT for White finish.

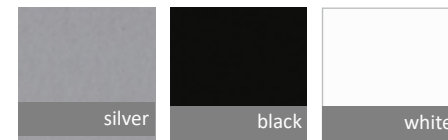
cabrillo base



details

- 3" diameter column and feet are 1-1/2" diameter
- fully welded construction of top plate to column
- glides have 3/8" long stem
- 14 gauge tube steel with 25% recycled content
- powdercoat finish
- available in desk and standing heights

finishes



orientation

for mounting x-bases on square table tops

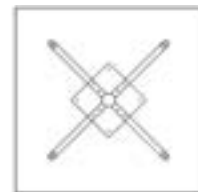
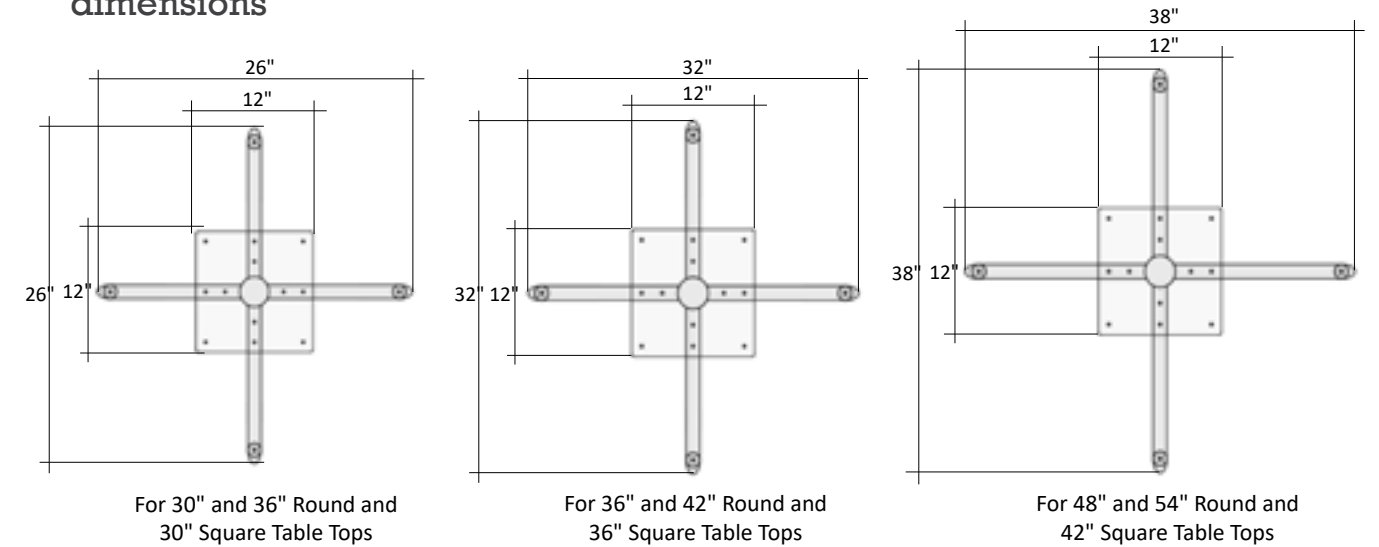


table tops for cabrillo bases



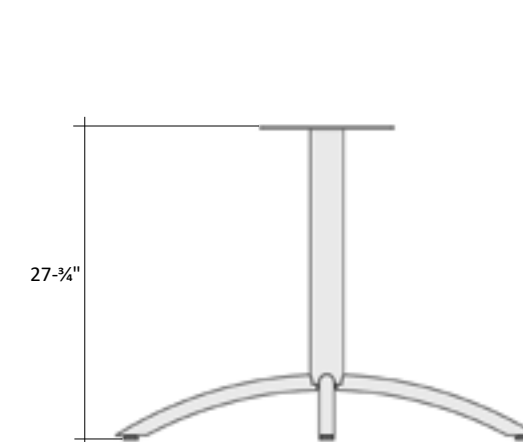
dimensions



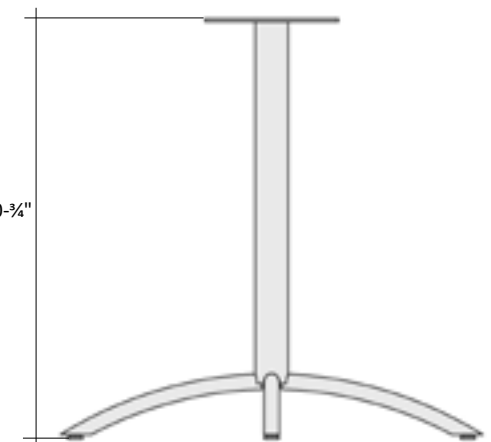
For 30" and 36" Round and 30" Square Table Tops

For 36" and 42" Round and 36" Square Table Tops

For 48" and 54" Round and 42" Square Table Tops



Desk Height



Standing Height

pricing

Model Number	Table Top Size	Base Height	Base Size	Bases Included	Price
Desk Height					
CF-ARTB-00-??	30" or 36" round; 30" square	27 3/4	26	1	\$722
CF-ARTB-01-??	36" or 42" round; 36" square	27 3/4	32	1	\$820
CF-ARTB-02-??	48" or 54" round; 42" square	27 3/4	38	1	\$910
Standing Height					
CF-ARTB-04-??	30" or 36" round; 30" square	40 3/4	26	1	\$862
CF-ARTB-05-??	36" or 42" round; 36" square	40 3/4	32	1	\$960
CF-ARTB-06-??	48" or 54" round; 42" square	40 3/4	38	1	\$1,050

- Includes leveling glides.
- To order, replace "??" with SV for Silver, BK for Black or WT for White finish.

venice bases

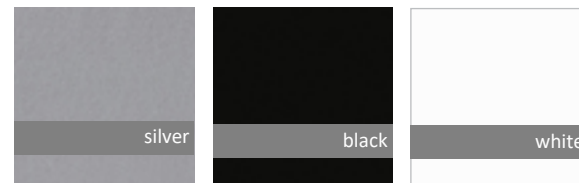


details

- 2-1/4" diameter steel column and feet are cast aluminum
- fully welded construction of top plate to column
- aluminum feet are bolted to steel column, field assembly required
- glides have 3/4" long stem
- 13 gauge tube steel

finishes

standard - powdercoat



Cast aluminum feet are and aluminum horizontal stretchers are polished/brushed aluminum.

Tables can have a multifinish look combining powdercoat columns or feet with polished/brushed column or feet. Contact quoting department for pricing.

offering

x-base



- 2-1/4" column
- 27-3/4" high and 40-3/4" without table top
- maximum table size: 54" diameter or 42" square

power grommet x-base



- 2-1/4" column
- 27-3/4" high without table top
- maximum table size: 54" diameter or 42" square
- top plate allows for centered power grommet

4 post x-base



- (4) 2-1/4" columns
- 27-3/4" high without table top
- maximum table size: 60" diameter or 54" square

y-base



- 2-1/4" column
- 27-3/4" high without table top
- maximum table size: 48" x 96"
- metal stretcher included

extended y-base



- (2) 2-1/4" columns
- 27-3/4" high without table top
- maximum table size: 60" x 240"
- metal stretchers included

double t-base



- (2) 2-1/4" columns
- 27-3/4" high without table top
- maximum table size: 60" x 240"

venice x-base

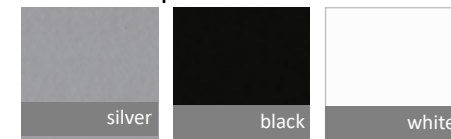


details

- 2-1/4" steel column and feet are cast aluminum
- maximum table size: 54" diameter or 42" square
- available in occasional, desk and standing heights
- fully welded construction of top plate to column
- aluminum feet are bolted to steel column, field assembly required
- glides have 3/4" long stem
- 13 gauge tube steel
- available in occasional, desk and standing heights

finishes

standard - powdercoat



orientation

for mounting x-bases on square table tops

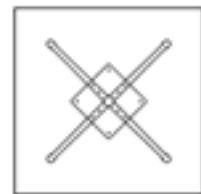
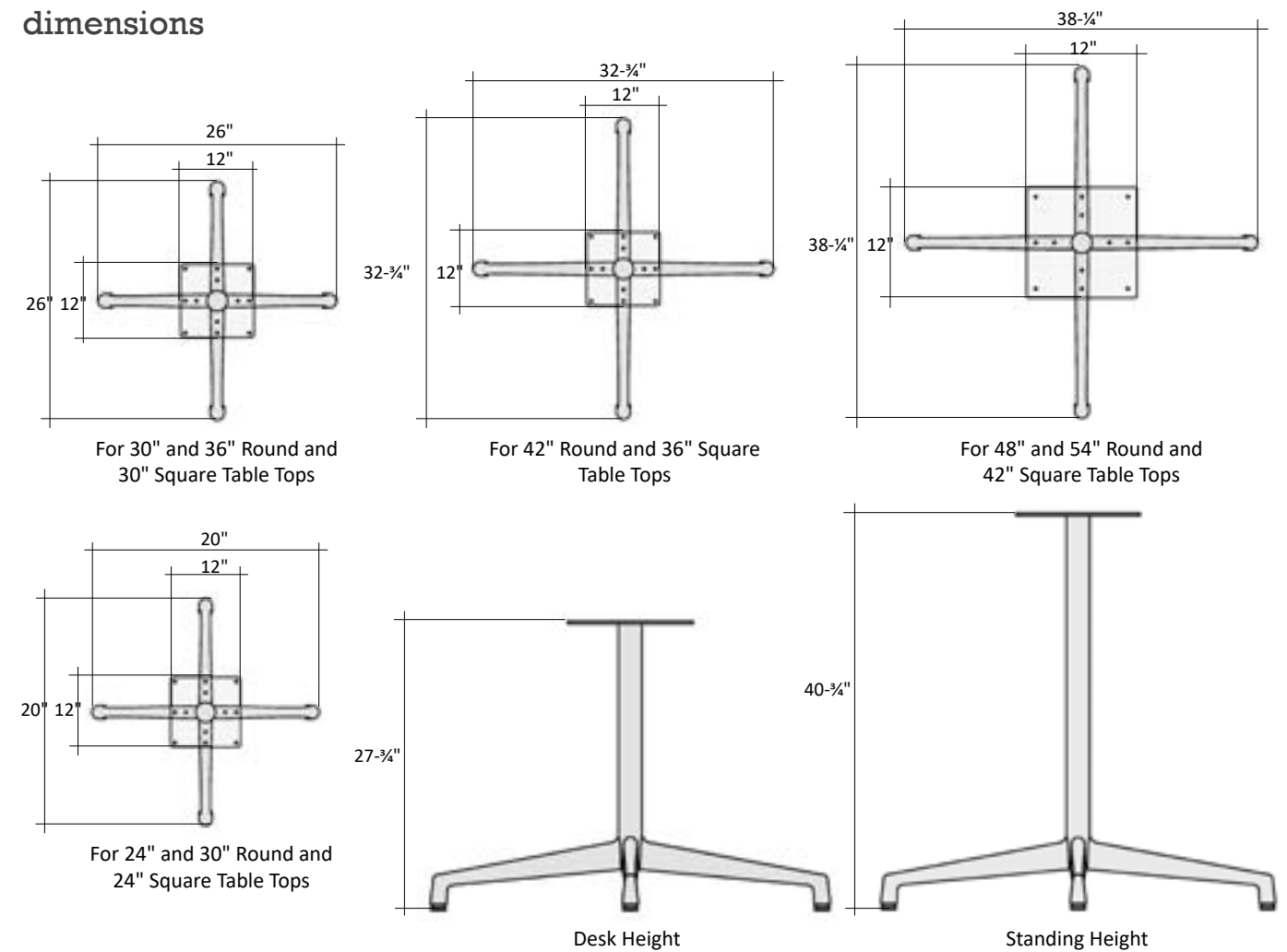


table tops for venice x-bases



dimensions



pricing

Model Number	Table Top Size	Base Height	Base Size	Bases Included	Pricing
Desk Height					
ML-PRPL-01-20-??	24" & 30" round; or 24" square	27 3/4	20	1	\$603
ML-PRPL-01-26-??	30" & 36" round; or 30" square	27 3/4	26	1	\$640
ML-PRPL-01-33-??	42" round; or 36" square	27 3/4	32 3/4	1	\$692
ML-PRPL-01-38-??	48" & 54" round; or 42" square	27 3/4	38 1/4	1	\$796
Standing Height					
ML-PRPL-05-20-??	24" & 30" round; or 24" square	40 3/4	20	1	\$682
ML-PRPL-05-26-??	30" & 36" round; or 30" square	40 3/4	26	1	\$719
ML-PRPL-05-33-??	42" round; or 36" square	40 3/4	32 3/4	1	\$771
ML-PRPL-05-38-??	48" & 54" round; or 42" square	40 3/4	38 1/4	1	\$875

- Includes leveling glides.
 - To order replace "???" with SV for Silver, BK for Black or WT for White finish.

venice power x-base

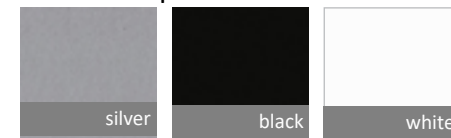


details

- 2-1/4" steel column and feet are cast aluminum
- maximum table size: 54" diameter or 42" square
- welded cone top plate allows for centered power grommet
- grommet access hole above feet, includes plastic grommet cover
- aluminum feet are bolted to steel column, field assembly required
- glides have 3/4" long stem
- 13 gauge tube steel

finishes

standard - powdercoat



orientation

for mounting x-bases on square table tops

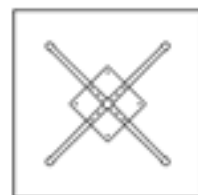


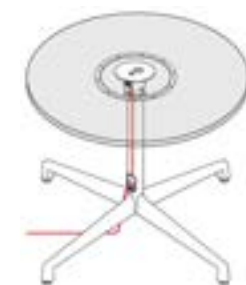
table tops for venice x-bases



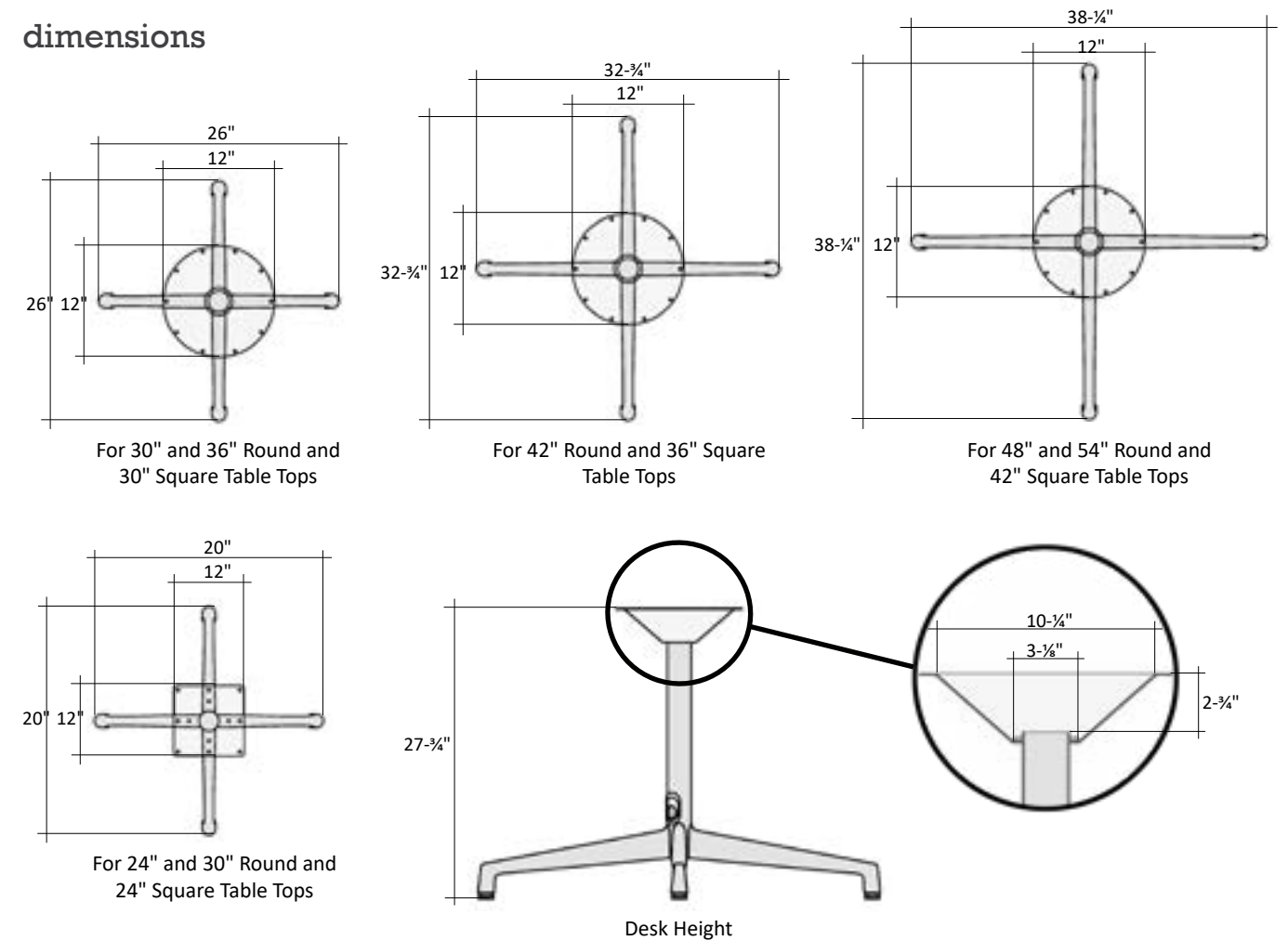
compliant electrical units

- AC-ELCV-AC02
- AC-PWRG-06

wire management



dimensions



pricing - desk height

Model Number	Table Top Size	Base Height	Base Size	Bases Included	Pricing
ML-PRPL-EL01-20-??	24" & 30" round; or 24" square	27 3/4	20	1	\$925
ML-PRPL-EL01-26-??	30" & 36" round; or 30" square	27 3/4	26	1	\$962
ML-PRPL-EL01-33-??	42" round; or 36" square	27 3/4	32 3/4	1	\$1,014
ML-PRPL-EL01-38-??	48" & 54" round; or 42" square	27 3/4	38 1/4	1	\$1,118

- Includes leveling glides.
- To order replace "??" with SV for Silver, BK for Black or WT for White finish.

venice 4 post x-base



details

- (4) 2-1/4" steel columns and feet are cast aluminum
- maximum table size: 60" diameter or 54" square
- 27-3/4" high without table top
- fully welded construction of top plate to column
- aluminum feet are bolted to steel column, field assembly required
- glides have 3/4" long stem
- 13 gauge tube steel

finishes

standard - powdercoat

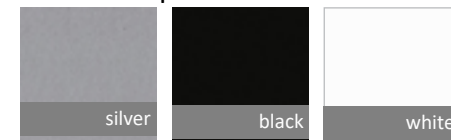
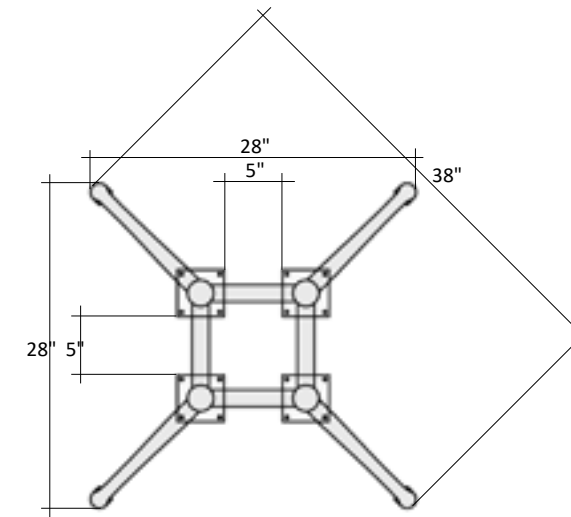


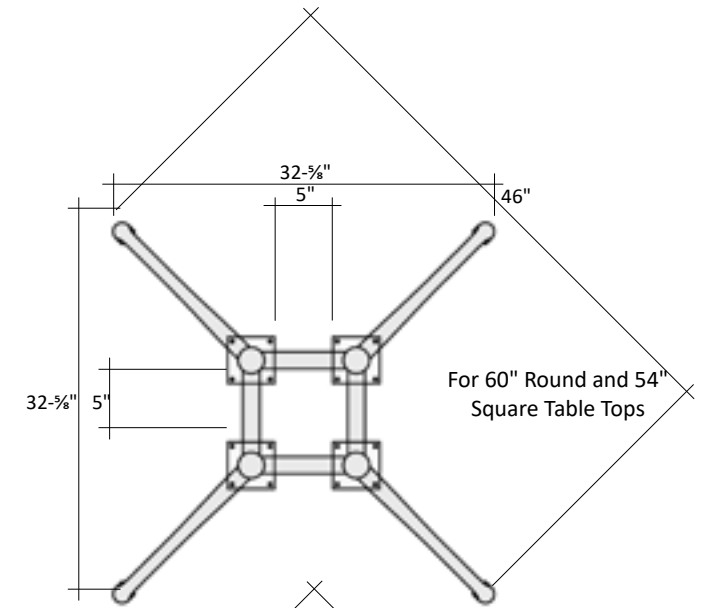
table tops for venice 4 post x-bases



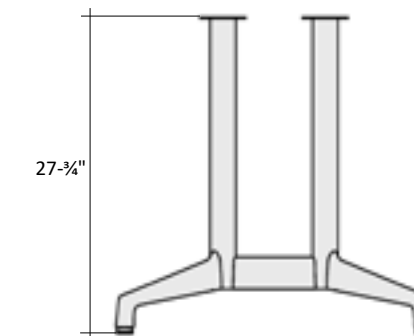
dimensions



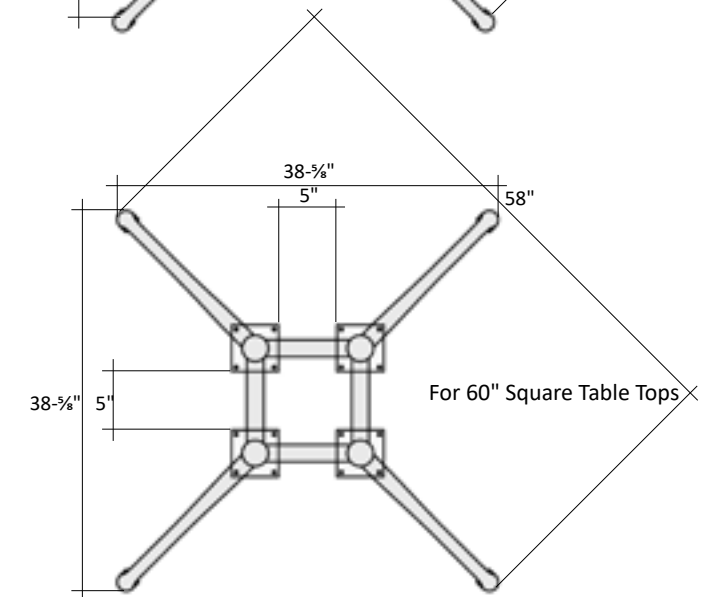
For 54" and 60" Round and 48" Square Table Tops



For 60" Round and 54" Square Table Tops



Desk Height



For 60" Square Table Tops

pricing

Model Number	Table Top Size	Base Height	Base Size	Bases Included	Standard	Premium
ML-PRPL-04-38-??	60" round; or 48" square	27 3/4	38	1		\$1,456
ML-PRPL-04-46-??	54" square	27 3/4	46	1		\$1,523
ML-PRPL-04-58-??	60" square	27 3/4	58	1		\$1,565

- Includes leveling glides.
- To order replace "??" with SV for Silver, BK for Black or WT for White finish.
- Wire access grommet standard in (1) column, top and bottom.

venice y-base



details

- fully welded construction of top plate to column
- aluminum feet are bolted to steel column, field assembly required
- glides have 3/4" long stem
- 13 gauge tube steel
- horizontal aluminum stretchers required

y-base

- 2-1/4" steel column and feet are cast aluminum
- 27-3/4" high without table top
- maximum table size: 48" x 96"
- metal stretcher included

double y-base

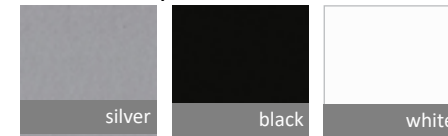
- (2) 2-1/4" steel columns and feet are cast aluminum
- middle legs are double t-legs
- 27-3/4" high without table top
- maximum table size: 60" x 240"
- metal stretchers included

table tops for venice y-bases



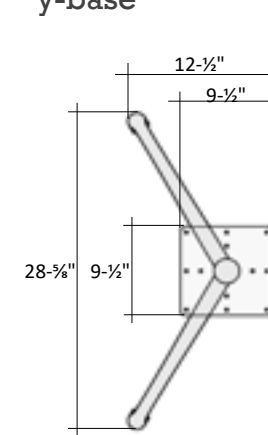
finishes

standard - powdercoat

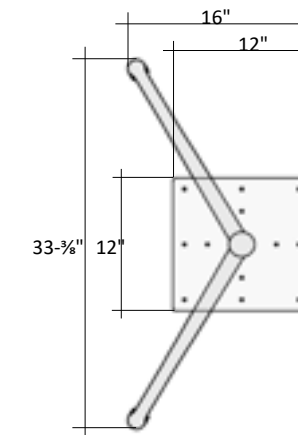


dimensions

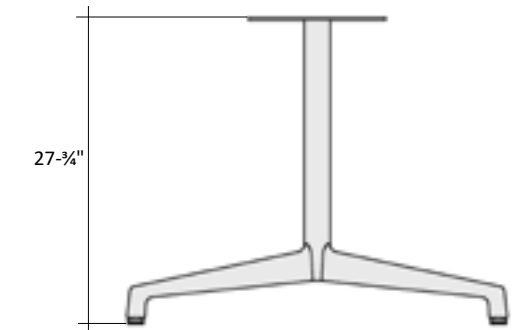
y-base



For 36" Deep Table Tops

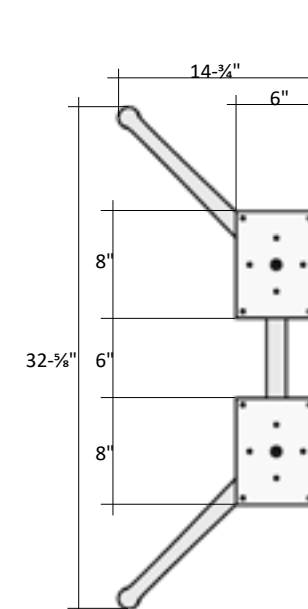


For 42" and 48" Deep Table Tops

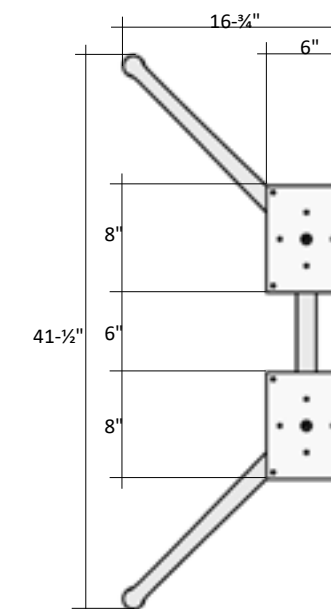


Desk Height

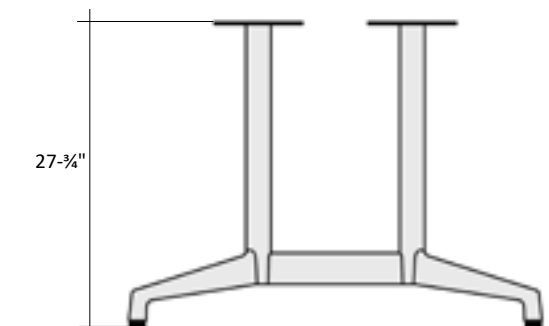
double y-base



For 48" Deep Table Tops



For 54" and 60" Deep Table Tops

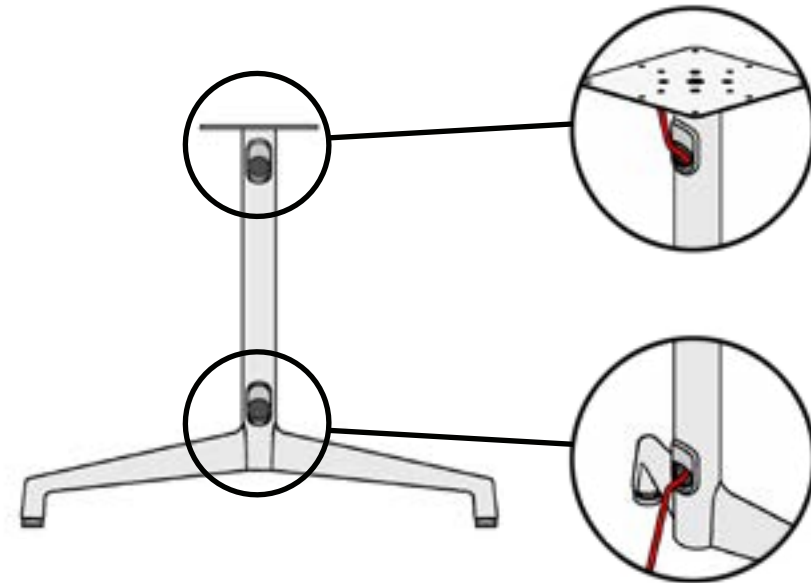


Desk Height

venice y-bases

wire management

Wire management grommets are included in the vertical columns on all Venice bases. Oval cutouts, 1-1/4" x 2-1/4", are located in the column below the top plate and above the feet connection. Plastic grommet covers are included to cover the cutouts.



base placement

rectangular, racetrack, boatshape and bow-end table tops

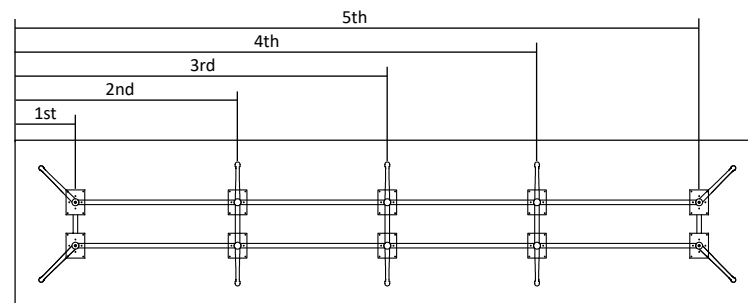


Table Depth	Table Length	Center of 1st Base	Center of 2nd Base	Center of 3rd Base	Center of 4th Base	Center of 5th Base
36	72	18-3/16	53-3/16			
42/48	84	17-7/8	66-1/8			
42/48	96	17-7/8	78-1/8			
48	120	17-3/4	60	102-1/4		
48/54/60	144	17-3/4	72	126-1/4		
48/54/60	168	19-1/8	61-7/16	103-11/16	146-1/16	
48/54/60	192	17-9/16	69-7/8	122-1/8	174-7/16	
48/54/60	216	17-9/16	77-7/8	138-1/8	198-7/16	
48/54/60	240	19-7/16	71-3/4	120	168-1/4	220-9/16

pricing - y bases

Model Number	Table Top Size	Base Size	Stretcher Length	Pricing
ML-YLG1-29-72-??	36 x 72	28 5/8	33 7/8	\$1,668
ML-YLG1-33-84-??	42 x 84, 48 x 84	33 3/8	46 1/2	\$1,999
ML-YLG1-33-96-??	42 x 96, 48 x 96	33 3/8	58 1/2	\$2,098

- Includes leveling glides.
- To order replace "???" with SV for Silver, BK for Black or WT for White finish.
- Wire access grommet standard in leg columns, top and bottom.

pricing - double y bases

Model Number	Table Top Size	Base Size	Stretcher Length	Pricing
2 Bases & 4 Stretchers				
ML-YLG2-33-84-??	42 x 84, 48 x 84	32 7/8	46 1/2	\$3,330
ML-YLG2-33-96-??	42 x 96, 48 x 96	32 7/8	58 1/2	\$3,496
3 Bases & 4 Spanning Rods				
ML-YLG2-33-120-??	48 x 120	32 7/8	40 1/2	\$4,169
ML-YLG2-33-144-??	48 x 144	32 7/8	52 1/2	\$4,992
ML-YLG2-41-144-??	54 x 144, 60 x 144	41 1/2	52 1/2	\$5,116
4 Bases & 6 Spanning Rods				
ML-YLG2-33-168-??	48 x 168	32 7/8	40 1/2	\$5,652
ML-YLG2-41-168-??	54 x 168, 60 x 168	41 1/2	40 1/2	\$5,804
ML-YLG2-33-192-??	48 x 192	32 7/8	50 1/2	\$5,966
ML-YLG2-41-192-??	54 x 192, 60 x 192	41 1/2	50 1/2	\$6,118
ML-YLG2-33-216-??	48 x 216	32 7/8	58 1/2	\$6,209
ML-YLG2-41-216-??	54 x 216, 60 x 216	41 1/2	58 1/2	\$6,361
5 Bases & 8 Spanning Rods				
ML-YLG2-33-240-??	48 x 240	32 7/8	50 1/2 & 46 1/2	\$7,479
ML-YLG2-41-240-??	54 x 240, 60 x 240	41 1/2	50 1/2 & 46 1/2	\$7,993

- Includes leveling glides.
- To order replace "???" with SV for Silver, BK for Black or WT for White finish.
- Wire access grommet standard in leg columns, top and bottom.

venice t-legs



details

- fully welded construction of top plate to column
- aluminum feet are bolted to steel column, field assembly required
- glides have 3/4" long stem
- 13 gauge tube steel

base placement

rectangular, racetrack, boatshape and bow-end table tops

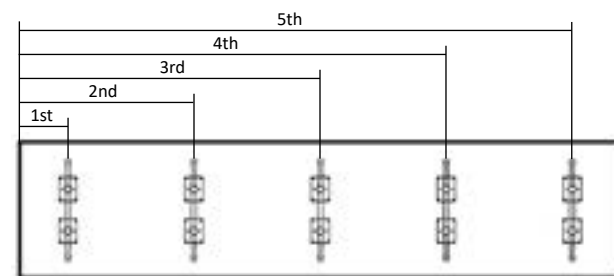


Table Depth	Table Length	Center of 1st Base	Center of 2nd Base	Center of 3rd Base	Center of 4th Base	Center of 5th Base
36	72	18	54			
42/48	84	19-1/8	64-7/8			
42/48	96	19-1/8	76-7/8			
48	120	19-1/8	60	100-7/8		
48/54/60	144	19-1/8	72	124-7/8		
48/54/60	168	19-1/8	62-3/8	105-5/8	148-7/8	
48/54/60	192	19-1/8	70-3/8	121-5/8	172-7/8	
48/54/60	216	19-1/8	63-9/16	108	152-7/16	196-7/8
48/54/60	240	19-1/8	69-9/16	120	170-7/16	220-7/8

t-leg

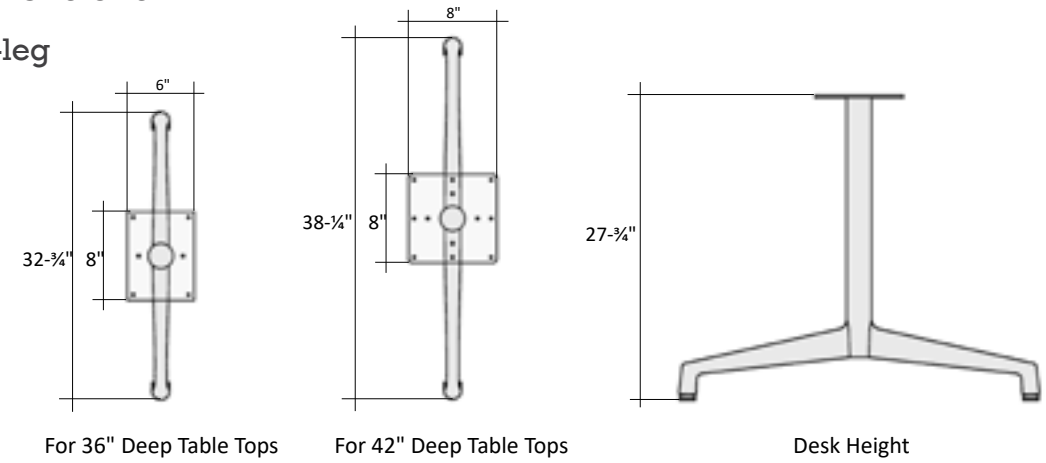
- 2-1/4" steel column and feet are cast aluminum
- maximum table size: 42" x 96"

double t-leg

- (2) 2-1/4" steel columns and feet are cast aluminum
- maximum table size: 60" x 240"

dimensions

t-leg

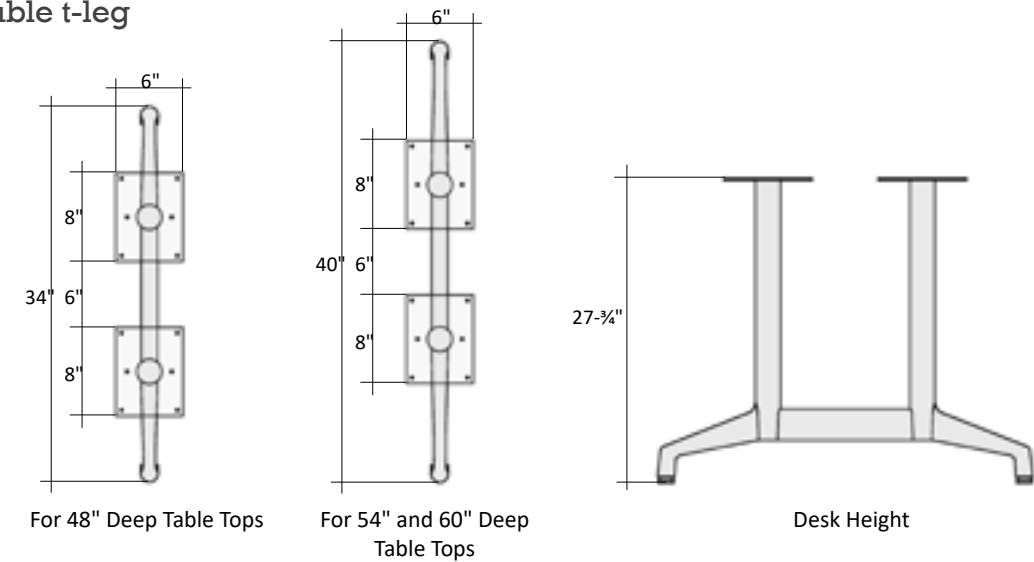


For 36" Deep Table Tops

For 42" Deep Table Tops

Desk Height

double t-leg



For 48" Deep Table Tops

For 54" and 60" Deep Table Tops

Desk Height

pricing

Model Number	Table Top Width	Base Height	Base Size	Bases Included	Pricing
Single T-Leg					
ML-PRPL-T33-??	36"	27 3/4	32 3/4	1	\$524
ML-PRPL-T38-??	42"	27 3/4	38 1/4	1	\$609
Double T-Leg					
ML-PRPL-TT34-??	48"	27 3/4	34	1	\$748
ML-PRPL-TT40-??	54", 60"	27 3/4	40	1	\$773

- Includes leveling glides.
- To order replace "???" with SV for Silver, BK for Black or WT for White finish.
- Wire access grommet standard in leg columns, top and bottom.

torrey leg

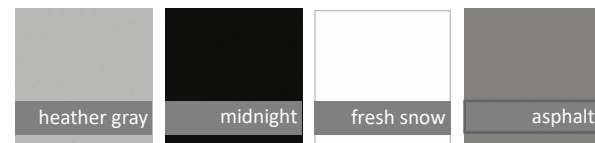


details

- built-in wire management through the leg
- heavy gauge steel construction
- powdercoat finish
- made in america
- available in occasional, desk and standing heights

finishes

standard



premium - 10% upcharge (OP-COLOR)



wire management

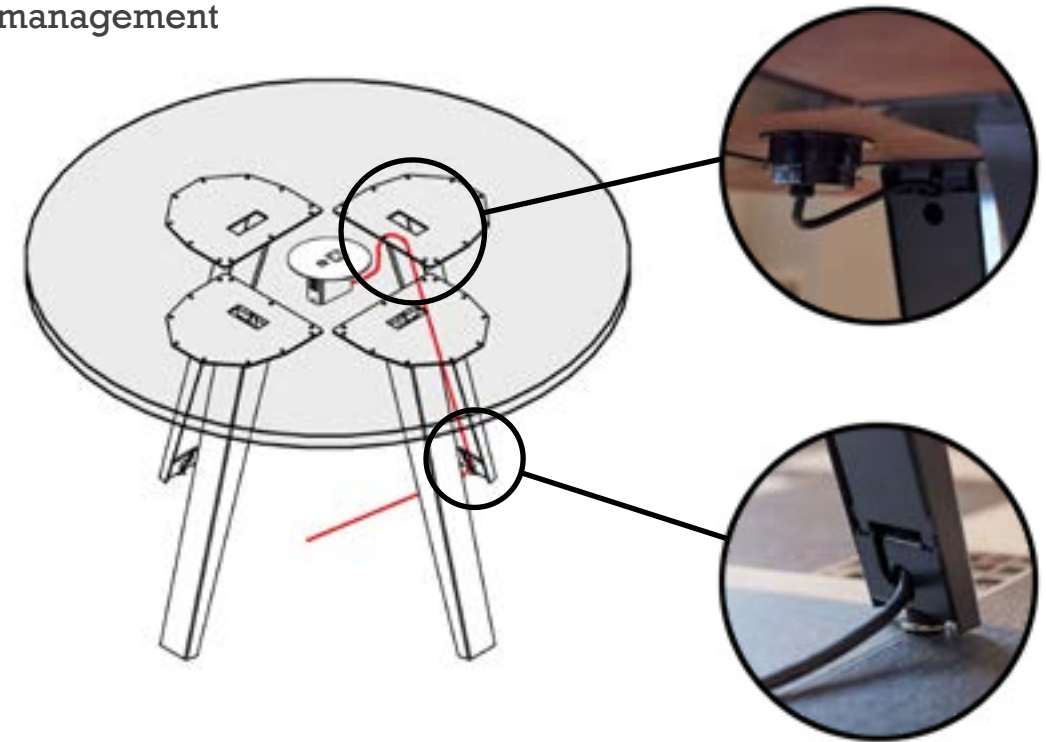


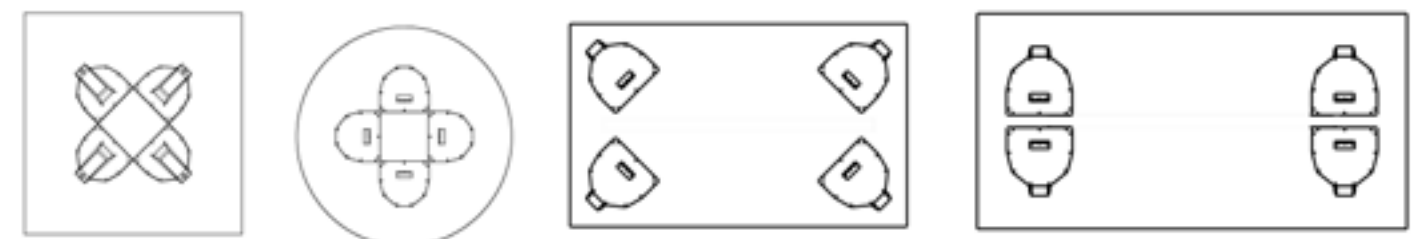
table tops for torrey legs

one piece table tops only, maximum width 48"



orientation

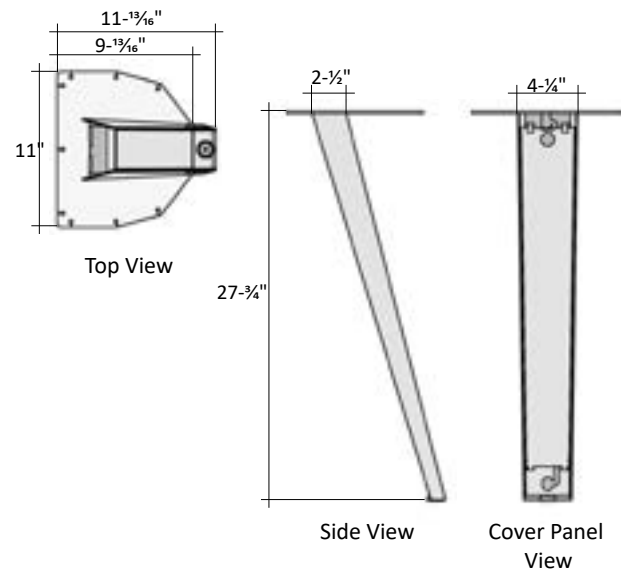
for mounting torrey legs



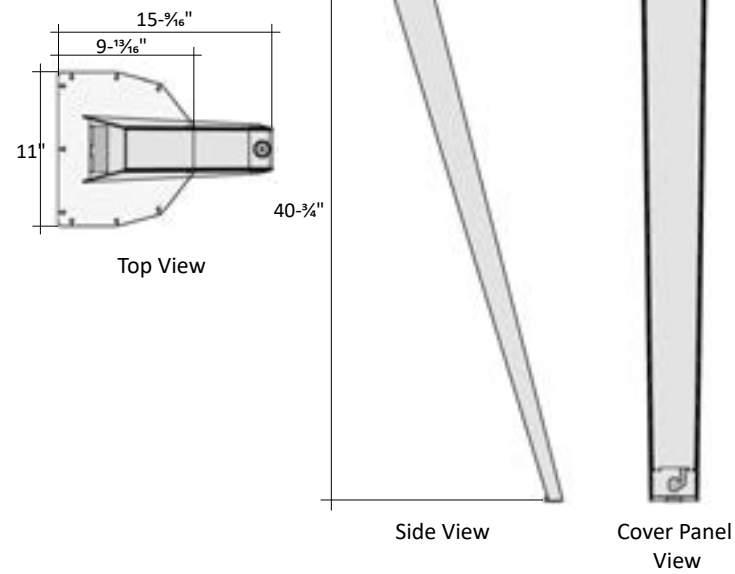
torrey leg details

dimensions

desk height

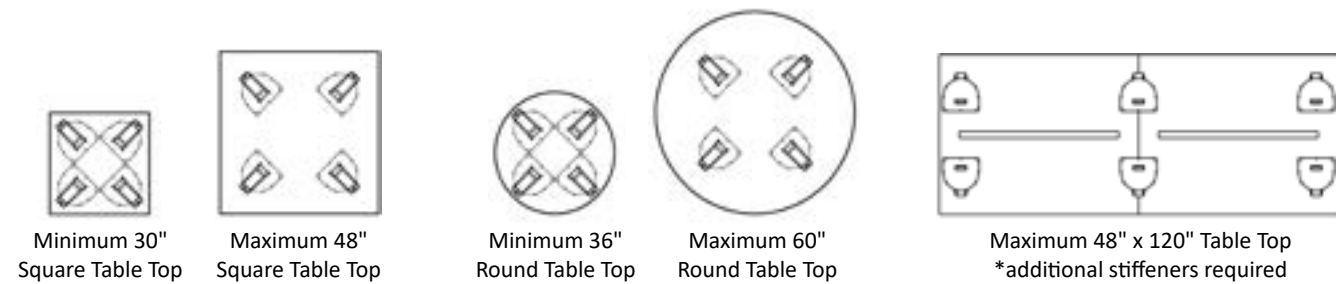


standing height

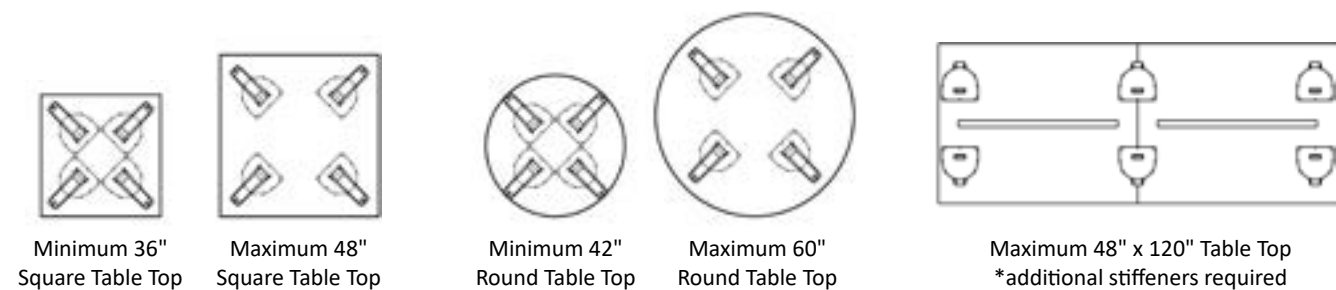


minimum and maximum table sizes

desk height



standing height



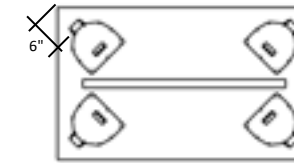
stiffener bars

Rectangular table tops with Torrey legs require external stiffeners. Stiffeners may interfere with mounting of some electrical grommets. Ship separately and are field installed. Placement allows for 7" of clear space between stiffener bars in center of the table for electrical grommet placement. Use AC-SPRD-48 for \$139 for each stiffener bar.



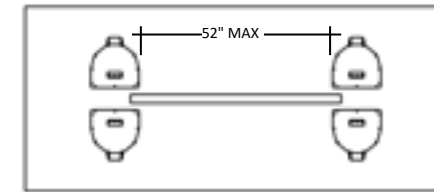
Round & Square Tables

No addition support required



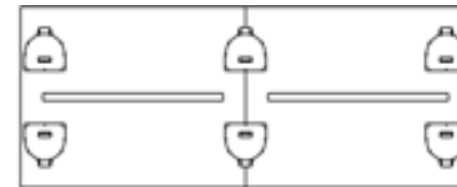
Small Rectangular Tables

For tables 60" wide or less, Torrey legs can be mounted at 45 degree angle to corner. 1 stiffener bar is recommend.



Medium Rectangular Tables

For tables 66"-96" wide, Torrey legs must be mounted parallel to end of table. 1 stiffener bar is required. Distance between legs **cannot exceed 52"**.



Large Rectangular Table

Torrey can support a max top size of 120" if 6 legs are used. 2 Stiffener bars are required. Legs must be mounted parallel to table ends.

pricing

Model Number	MAX Table Top Size	Base Height	Base Size	Legs Included	Standard	Premium
Desk Height						
ML-TRAP-29-??	48"X120"	27 3/4	4 1/4	1	\$357	\$391
Standing Height						
ML-TRAP-42-??	48"X120"	40 3/4	4 3/4	1	\$430	\$472

- Includes leveling glides.

- To order, replace "??" with MN for Midnight, HG for Heather Grey, FS for Fresh Snow, AS for Asphalt, BR for Barn Red, BO for Blood Orange, SN for Sunset, LY for Lemon Yellow, DM for Denim, DO for Deep Ocean, HU for Hunter and MO for Moss.

cafe

table of contents

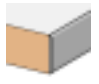
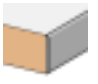
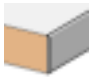




Cafe Table Tops	103-105
Beacon	106-107
Mission	108-109
Newport	110-111
Cabrillo	112-113
Venice	114-115
Ribbon	116-118

round table top

TFL and HPL options



		TFL		HPL			
		1-1/8" Thick Standard TFL	1-1/8" Thick Premium TFL	1-1/8" Thick Standard HPL	1-1/8" Thick MDF Core	1" Thick Plywood Core	
							
		2mm PVC	2mm PVC	2mm PVC	2mm PVC Knife	Exposed Plywood	
Model Number	Depth	Length	T1-A1	T2-A1	H1-A1	H1-K1	H1-P1
TP-FULR-3030-??-??	30	30	\$636	\$700	\$1,002	\$1,161	\$1,271
TP-FULR-3636-??-??	36	36	\$645	\$710	\$1,020	\$1,448	\$1,548
TP-FULR-4242-??-??	42	42	\$809	\$890	\$1,277	\$1,500	\$1,580
TP-FULR-4848-??-??	48	48	\$982	\$1,080	\$1,550	\$1,724	\$1,785
TP-FULR-5454-??-??	54	54	\$1,170	\$1,287	\$1,846	\$2,143	\$2,281
TP-FULR-6060-??-??	60	60	\$1,229	\$1,352	\$1,943	\$2,194	\$2,309

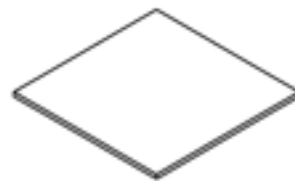
- For premium TFL, change "T1" to "T2" and add 10%.


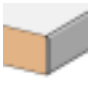
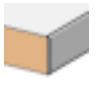


- TFL and HPL tops with 2mm PVC edges are only available with DeskMakers standard 2MM PVC edgebanding.

- Please see Cleaning and Care Guide for maintenance information.

square table top

TFL and HPL options



		TFL		HPL			
		1-1/8" Thick Standard TFL	1-1/8" Thick Premium TFL	1-1/8" Thick Standard HPL	1-1/8" Thick MDF Core	1" Thick Plywood Core	
							
		2mm PVC	2mm PVC	2mm PVC	2mm PVC Knife	Exposed Plywood	
Model Number	Depth	Length	T1-A1	T2-A1	H1-A1	H1-K1	H1-P1
TP-SQRE-1919-??-??	19	19	\$224	\$246	\$354	\$569	\$707
TP-SQRE-2424-??-??	24	24	\$431	\$474	\$681	\$754	\$975
TP-SQRE-3030-??-??	30	30	\$559	\$615	\$883	\$961	\$1,093
TP-SQRE-3636-??-??	36	36	\$581	\$639	\$918	\$1,179	\$1,448
TP-SQRE-4242-??-??	42	42	\$745	\$820	\$1,178	\$1,206	\$1,639
TP-SQRE-4848-??-??	48	48	\$918	\$1,010	\$1,452	\$1,586	\$1,814
TP-SQRE-5454-??-??	54	54	\$1,092	\$1,201	\$1,727	\$2,077	\$2,143

- For premium TFL, change "T1" to "T2" and add 10%.

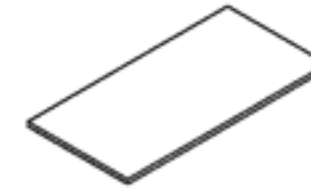
- TFL and HPL tops with 2mm PVC edges are only available with DeskMakers standard 2MM PVC edgebanding.

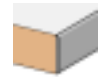
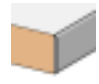
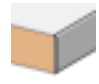
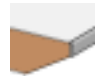

- For rounded corners with a 4" radius use OP-EDGE-RND for an additional \$196 per top.

- Please see Cleaning and Care Guide for maintenance information.

rectangular table top

TFL and HPL options



			TFL		HPL		
			1-1/8" Thick Standard TFL	1-1/8" Thick Premium TFL	1-1/8" Thick Standard HPL	1-1/8" Thick MDF Core	1" Thick Plywood Core
							
			2mm PVC	2mm PVC	2mm PVC	2mm PVC Knife	Exposed Plywood
Model Number	Depth	Length	T1-A1	T2-A1	H1-A1	H1-K1	H1-P1
19" Deep							
TP-RECT-1936-??-??	19	36	\$300	\$330	\$489	\$567	\$871
TP-RECT-1942-??-??	19	42	\$302	\$332	\$492	\$573	\$885
TP-RECT-1948-??-??	19	48	\$398	\$438	\$673	\$781	\$1,219
TP-RECT-1954-??-??	19	54	\$401	\$441	\$677	\$787	\$1,233
TP-RECT-1960-??-??	19	60	\$403	\$443	\$680	\$794	\$1,247
TP-RECT-1966-??-??	19	66	\$406	\$446	\$683	\$800	\$1,261
TP-RECT-1972-??-??	19	72	\$408	\$449	\$686	\$806	\$1,274
TP-RECT-1978-??-??	19	78	\$505	\$556	\$868	\$1,014	\$1,607
TP-RECT-1984-??-??	19	84	\$507	\$557	\$871	\$1,020	\$1,621
24" Deep							
TP-RECT-2436-??-??	24	36	\$302	\$332	\$492	\$572	\$883
TP-RECT-2442-??-??	24	42	\$305	\$335	\$495	\$578	\$897
TP-RECT-2448-??-??	24	48	\$401	\$441	\$677	\$786	\$1,230
TP-RECT-2454-??-??	24	54	\$403	\$443	\$680	\$792	\$1,244
TP-RECT-2460-??-??	24	60	\$406	\$446	\$683	\$800	\$1,257
TP-RECT-2466-??-??	24	66	\$408	\$449	\$686	\$806	\$1,271
TP-RECT-2472-??-??	24	72	\$411	\$453	\$687	\$812	\$1,285
TP-RECT-2478-??-??	24	78	\$505	\$556	\$869	\$1,020	\$1,620
TP-RECT-2484-??-??	24	84	\$508	\$559	\$872	\$1,026	\$1,633
30" Deep							
TP-RECT-3036-??-??	30	36	\$398	\$438	\$673	\$780	\$1,216
TP-RECT-3042-??-??	30	42	\$401	\$441	\$677	\$786	\$1,230
TP-RECT-3048-??-??	30	48	\$543	\$597	\$948	\$1,094	\$1,724
TP-RECT-3054-??-??	30	54	\$546	\$601	\$949	\$1,102	\$1,738
TP-RECT-3060-??-??	30	60	\$548	\$602	\$952	\$1,108	\$1,752
TP-RECT-3066-??-??	30	66	\$549	\$604	\$955	\$1,114	\$1,766
TP-RECT-3072-??-??	30	72	\$552	\$607	\$959	\$1,120	\$1,780
TP-RECT-3078-??-??	30	78	\$695	\$765	\$1,230	\$1,429	\$2,273
TP-RECT-3084-??-??	30	84	\$697	\$767	\$1,233	\$1,436	\$2,287

- For premium TFL, change "T1" to "T2" and add 10%.

- TFL and HPL tops with 2mm PVC edges are only available with DeskMakers standard 2MM PVC edgebanding.

- For rounded corners with a 4" radius use OP-EDGE-RND for an additional \$196 per top.

- Please see Cleaning and Care Guide for maintenance information.

beacon base



details

- 27" diameter base
- 3" diameter column
- glides have 1/8" adjustability and raise the base 1/4" above the floor
- fully welded construction of top plate to column
- disc is bolted to column, field assembly required
- 14 gauge tube steel with 25% recycled content
- powdercoat finish
- available in occasional, desk and standing heights

finishes

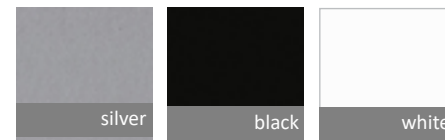
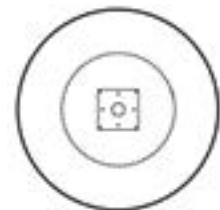
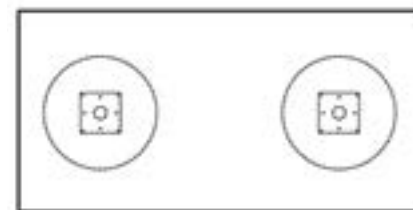


table tops for use with beacon bases

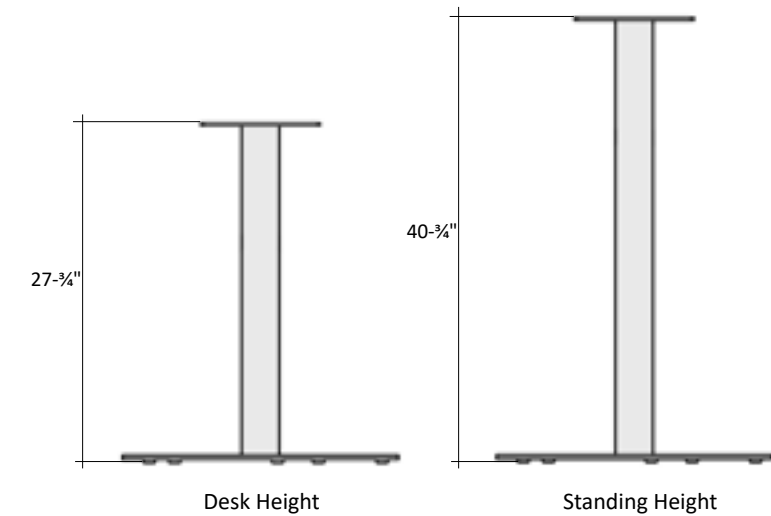
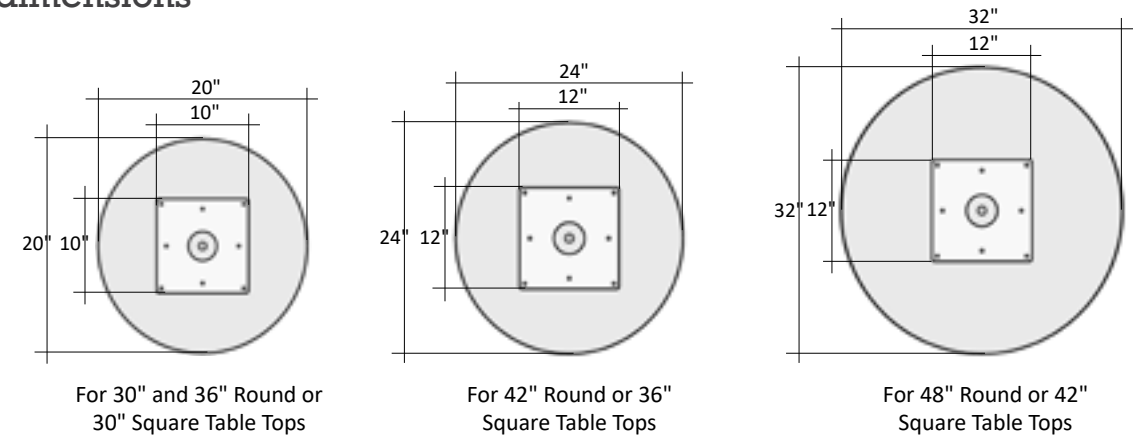


Maximum 48" Round Table Top



Maximum 48" x 96" one piece Table Top

dimensions



pricing

Model Number	Table Top Size	Base Height	Base Size	Bases Included	Price
Desk Height					
CF-RDDK-01-20-??	30" or 36" round or 30" square	27 3/4	20	1	\$1,041
CF-RDDK-01-24-??	42" round or 36" square	27 3/4	24	1	\$1,104
CF-RDDK-01-32-??	48" round or 42" square	27 3/4	32	1	\$1,439
Standing Height					
CF-RDDK-05-20-??	30" or 36" round or 30" square	40 3/4	20	1	\$1,184
CF-RDDK-05-24-??	42" round or 36" square	40 3/4	24	1	\$1,247
CF-RDDK-05-32-??	48" round or 42" square	40 3/4	32	1	\$1,455

- Includes leveling glides.
 - To order, replace "??" with SV for Silver, BK for Black or WT for White finish.

mission base



details

- 27" x 27" square base
- 3" x 3" square column
- fully welded construction of top plate to column
- disc is bolted to column, field assembly required
- glides have 1/8" adjustability and raise the base 1/4" above the floor
- 14 gauge tube steel with 25% recycled content
- powdercoat finish
- available in occasional, desk and standing heights

finishes

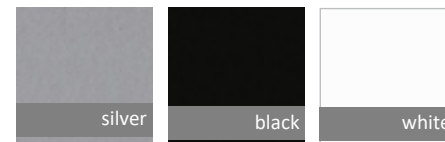
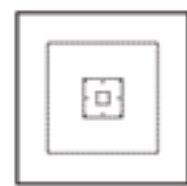
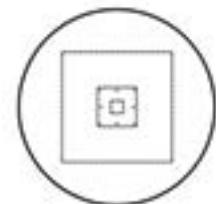


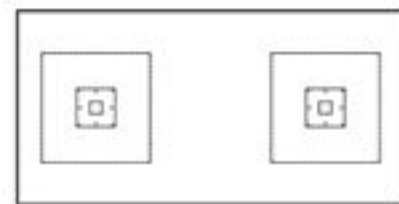
table tops for use with mission bases



Maximum 42" Square Table Top

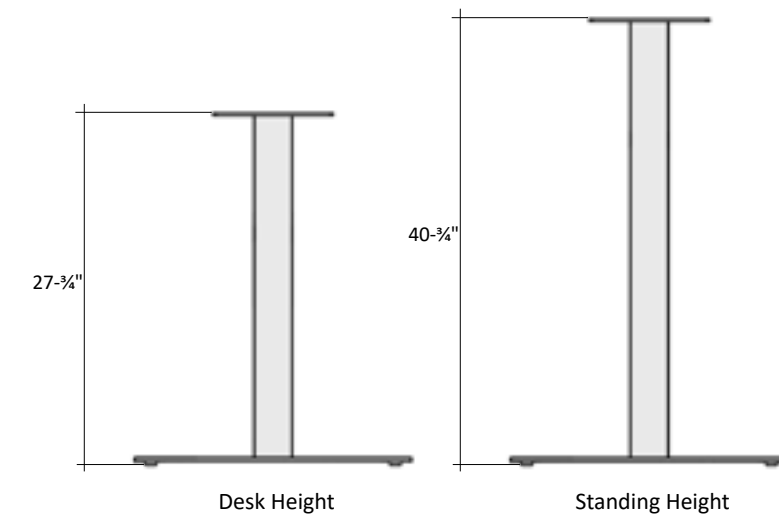
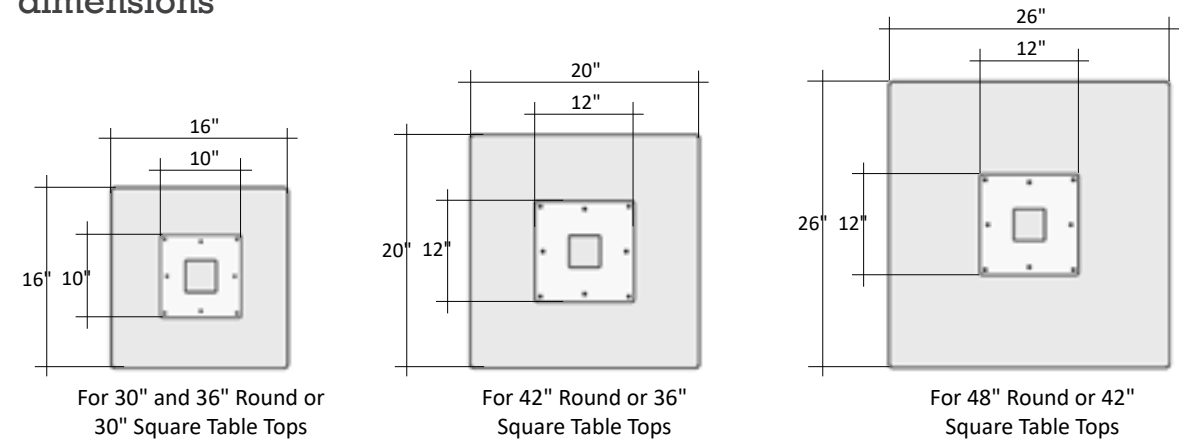


Maximum 48" Round Table Top



Maximum 48" x 96" one piece Table Top

dimensions



pricing

Model Number	Table Top Size	Base Height	Base Size	Bases Included	Price
Desk Height					
CF-SQDK-01-16-??	24", 30" or 36" round or 24" or 30" square	27 3/4	16	1	\$1,041
CF-SQDK-01-20-??	42" round or 36" square	27 3/4	20	1	\$1,104
CF-SQDK-01-26-??	48" round or 42" square	27 3/4	26	1	\$1,313
Standing Height					
CF-SQDK-05-16-??	24", 30" or 36" round or 24" or 30" square	40 3/4	16	1	\$1,183
CF-SQDK-05-20-??	42" round or 36" square	40 3/4	20	1	\$1,246
CF-SQDK-05-26-??	48" round or 42" square	40 3/4	26	1	\$1,455

- Includes leveling glides.
- To order, replace "??" with SV for Silver, BK for Black or WT for White finish.

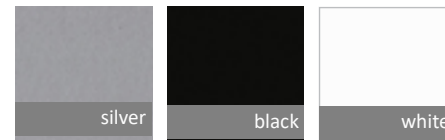
newport x-base



details

- 3" diameter column and feet are 1-7/8" diameter
- fully welded construction of top plate to column
- x-base is bolted to column, field assembly required
- glides have 3/8" long stem
- 14 gauge tube steel with 25% recycled content
- powdercoat finish
- available in desk and standing heights

finishes



orientation

for mounting x-bases on square table tops

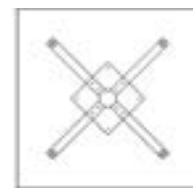
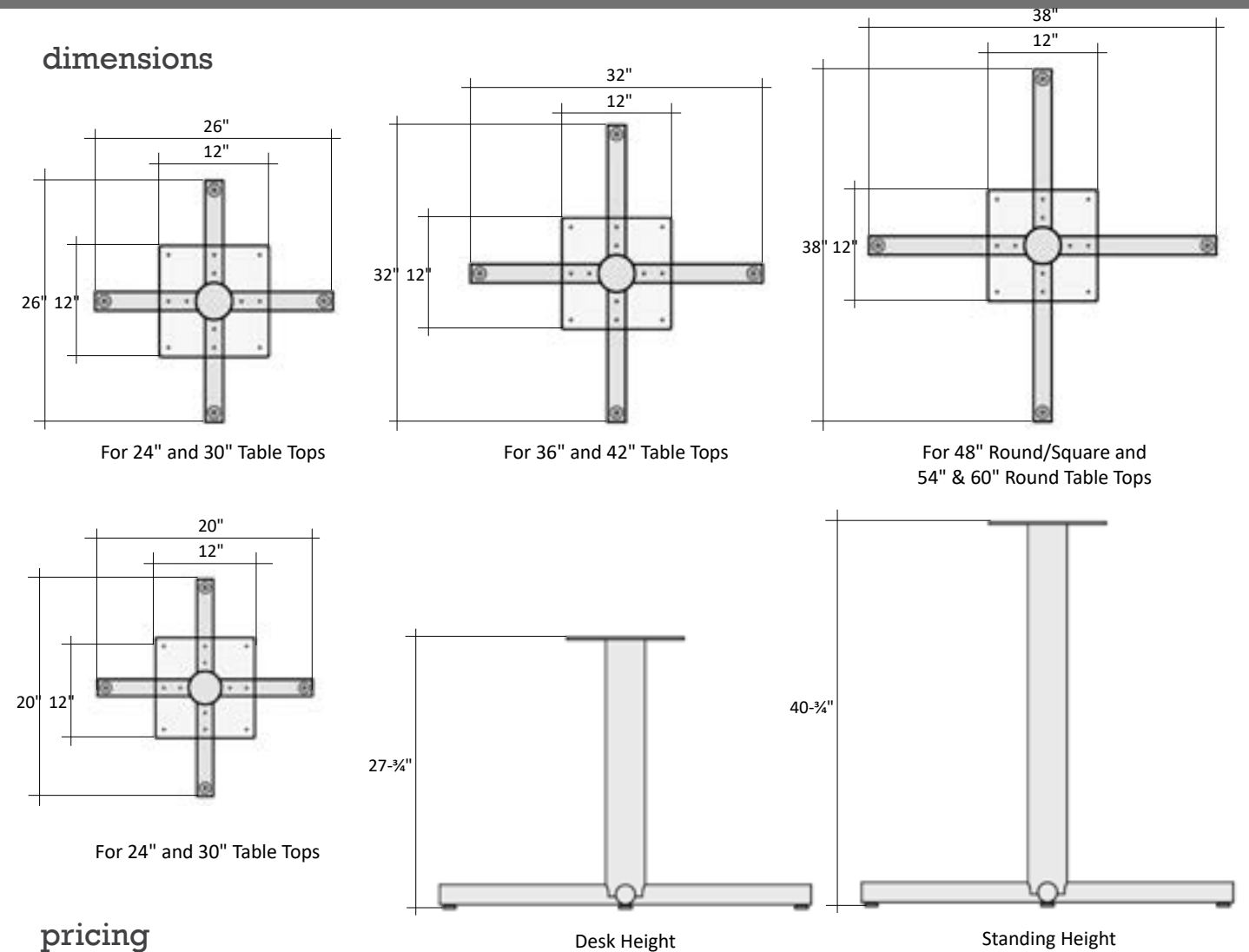


table tops for newport x-bases



dimensions



pricing

Model Number	Table Top Size	Base Height	Base Size	Bases Included	Silver	Black & White
Desk Height						
CF-BMMX-01-20-??	24" round & square	27 3/4	20	1	\$608	\$668
CF-BMMX-01-24-??	30" round & square	27 3/4	26	1	\$718	\$790
CF-BMMX-01-30-??	36" & 42" round & square	27 3/4	32	1	\$834	\$918
CF-BMMX-01-60-??	48" round & square; 54" & 60" round	27 3/4	38	1	\$863	\$949
Standing Height						
CF-BMMX-05-20-??	24" round & square	40 3/4	20	1	\$759	\$835
CF-BMMX-05-24-??	30" round & square	40 3/4	26	1	\$893	\$982
CF-BMMX-05-30-??	36" & 42" round & square	40 3/4	32	1	\$958	\$1,054
CF-BMMX-05-60-??	48" round & square; 54" & 60" round	40 3/4	38	1	\$1,023	\$1,125

- Includes leveling glides.
 - To order, replace "???" with SV for Silver, BK for Black or WT for White finish.

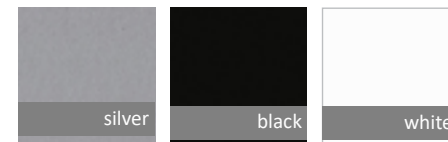
cabrillo base



details

- 3" diameter column and feet are 1-1/2" diameter
- fully welded construction of top plate to column
- glides have 3/8" long stem
- 14 gauge tube steel with 25% recycled content
- powdercoat finish
- available in desk and standing heights

finishes



orientation

for mounting x-bases on square table tops

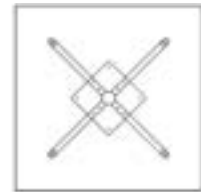
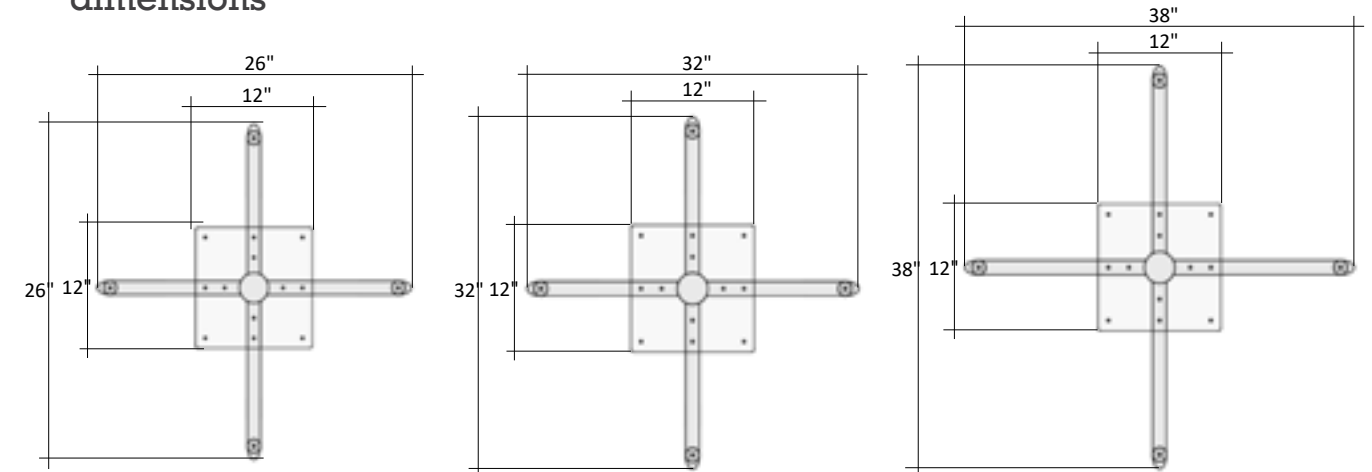


table tops for cabrillo bases



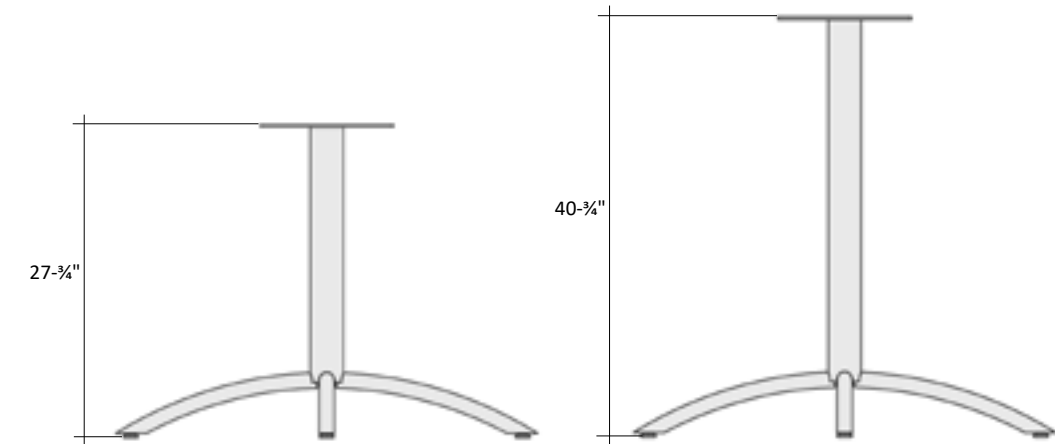
dimensions



For 30" and 36" Round and 30" Square Table Tops

For 36" and 42" Round and 36" Square Table Tops

For 48" and 54" Round and 42" Square Table Tops



Desk Height

Standing Height

pricing

Model Number	Table Top Size	Base Height	Base Size	Bases Included	Price
Desk Height					
CF-ARTB-00-??	30" or 36" round; 30" square	27 3/4	26	1	\$722
CF-ARTB-01-??	36" or 42" round; 36" square	27 3/4	32	1	\$820
CF-ARTB-02-??	48" or 54" round; 42" square	27 3/4	38	1	\$910
Standing Height					
CF-ARTB-04-??	30" or 36" round; 30" square	40 3/4	26	1	\$862
CF-ARTB-05-??	36" or 42" round; 36" square	40 3/4	32	1	\$960
CF-ARTB-06-??	48" or 54" round; 42" square	40 3/4	38	1	\$1,050

- Includes leveling glides.

- To order, replace "??" with SV for Silver, BK for Black or WT for White finish.

venice x-base

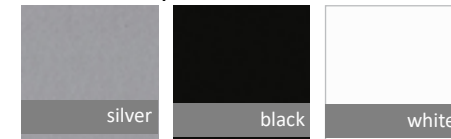


details

- 2-1/4" steel column and feet are cast aluminum
- maximum table size: 54" diameter or 42" square
- available in occasional, desk and standing heights
- fully welded construction of top plate to column
- aluminum feet are bolted to steel column, field assembly required
- glides have 3/4" long stem
- 13 gauge tube steel

finishes

standard - powdercoat



orientation

for mounting x-bases on square table tops

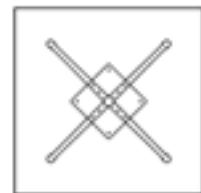
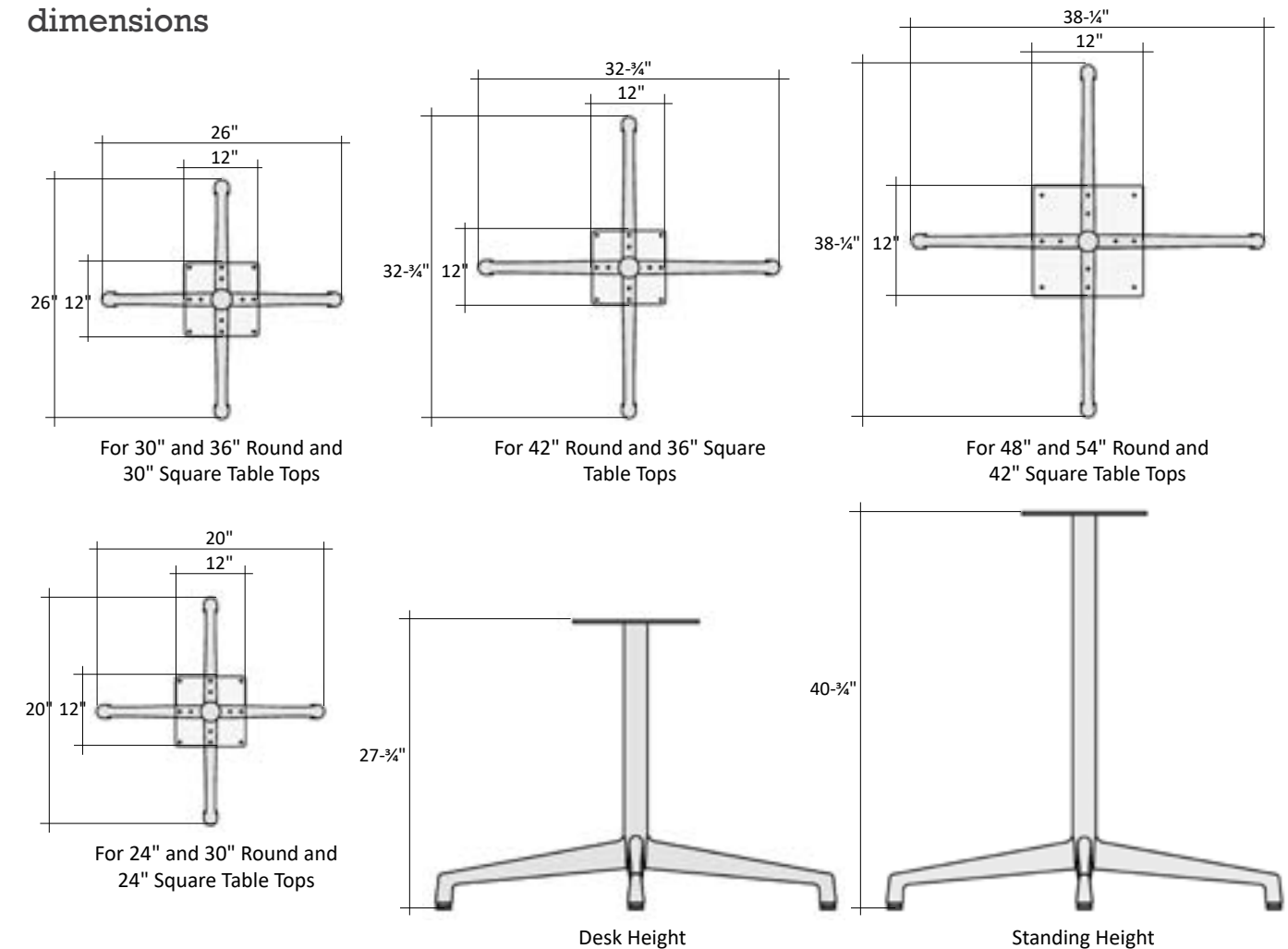


table tops for venice x-bases



dimensions



pricing

Model Number	Table Top Size	Base Height	Base Size	Bases Included	Pricing
Desk Height					
ML-PRPL-01-20-??	24" & 30" round; or 24" square	27 3/4	20	1	\$603
ML-PRPL-01-26-??	30" & 36" round; or 30" square	27 3/4	26	1	\$640
ML-PRPL-01-33-??	42" round; or 36" square	27 3/4	32 3/4	1	\$692
ML-PRPL-01-38-??	48" & 54" round; or 42" square	27 3/4	38 1/4	1	\$796
Standing Height					
ML-PRPL-05-20-??	24" & 30" round; or 24" square	40 3/4	20	1	\$682
ML-PRPL-05-26-??	30" & 36" round; or 30" square	40 3/4	26	1	\$719
ML-PRPL-05-33-??	42" round; or 36" square	40 3/4	32 3/4	1	\$771
ML-PRPL-05-38-??	48" & 54" round; or 42" square	40 3/4	38 1/4	1	\$875

- Includes leveling glides.
 - To order replace "???" with SV for Silver, BK for Black or WT for White finish.

ribbon hairpin leg

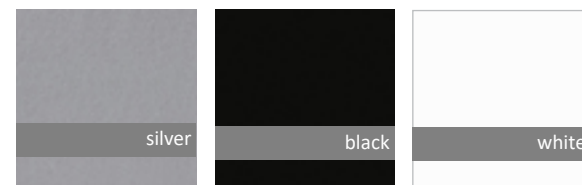


details

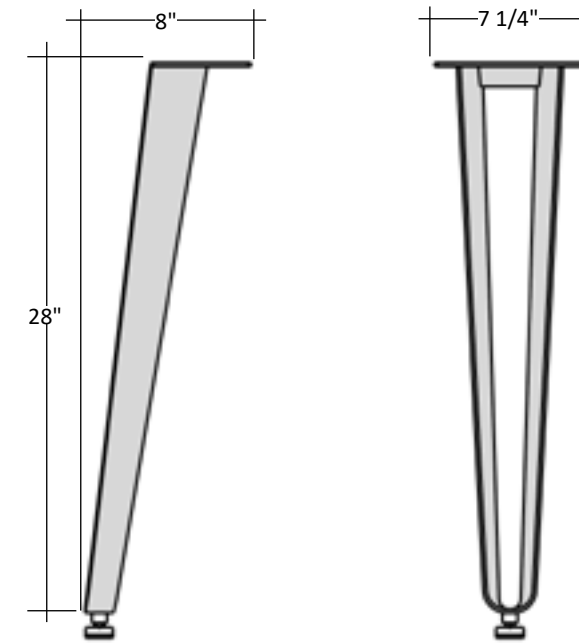
- Heavy gauge steel construction.
- Includes leveling glides. Levelers will add 3/4" in height.
- Powdercoat finish.
- Made in America.

finishes

standard



dimensions



placement

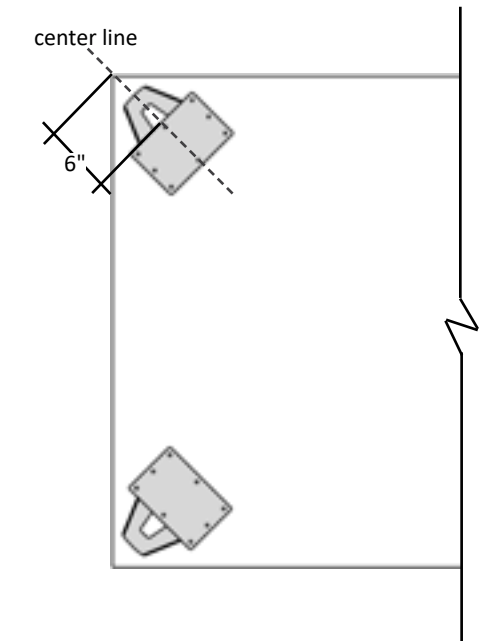
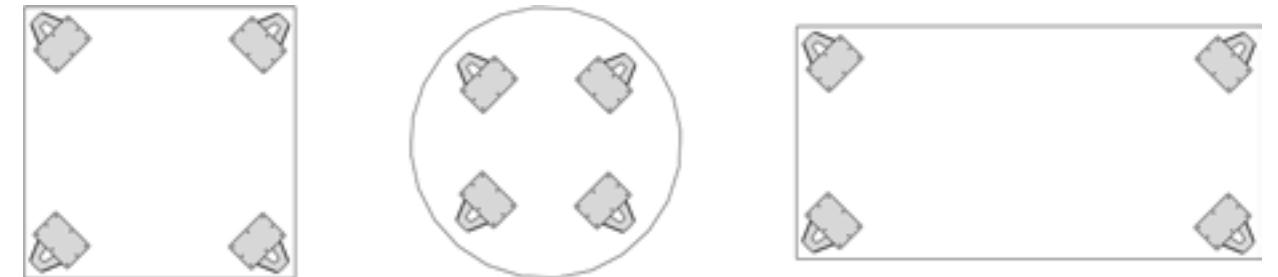


table tops for hairpin legs

one piece table tops only, maximum width 48"



hairpin leg set



Model Number	Max Table Top Size	Base Height	Legs Included	Price
RB-RPST-SET-??	48 x 96	28	4	\$3,944

- Includes leveling glides.
- Legs are constructed of solid steel frame with a powdercoat finish.
- Dimensions are nominal.
- To order, replace "??" with "SV" for silver. "BK" for black and "WT" for white finish.

training

table of contents

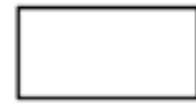


Training Table Tops	119-127
Newport	128-131
Venice	132-135
Costa	136-137
Cabrillo	138-139
Strands	140-141
Modesty Panels	142-144
Ganging Brackets	145

training table tops



training tables



rectangular



trapezoid

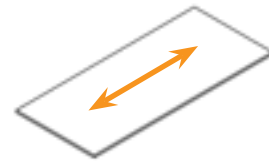


half-round

finishes

- 1-1/8" thick thermally fused laminate (TFL) with multiple edge options
- 1-1/8" thick high pressure laminate (HPL) with multiple edge options
- 1-1/8" thick plain sawn veneer, quarter sawn and planked random match veneer with multiple edge options
- 1" thick HPL with exposed plywood core
- 1-1/8" thick HPL with MDF core and PVC knife edge
- 1-1/8" thick thermofoil three dimensional laminate (3DL) (select sizes)
- 1-1/2" thick butcher block (select sizes and shapes)
- 1-1/8" thick planked wood (select sizes and shapes)

rectangular tops



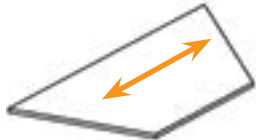
grain direction:
grain direction runs length of the table
dimensions:
depths: 19", 24" and 30"
lengths: 36" to 84" in 6" increments

half round tops



grain direction:
grain direction runs length of the table
dimensions:
depths: 19", 24" and 30"
lengths: 38", 48" and 60"

trapezoid tops



grain direction:
grain direction runs length of the table
dimensions:
depths: 19", 24" and 30"
lengths: 38", 48", 60" and 72"

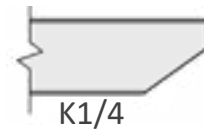
edges for training tables



A1

group a

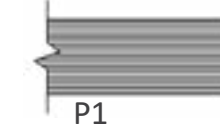
1-1/8" thick top
2mm PVC edge



K1/4

group k

1-1/8" thick MDF top
2mm PVC Knife edge



P1

group p

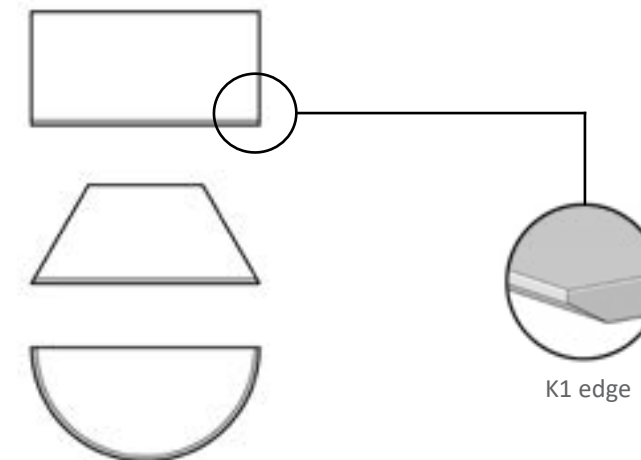
1" thick top
exposed plywood edge

user edges for groups k

shading indicates user edges

user edge only profiled

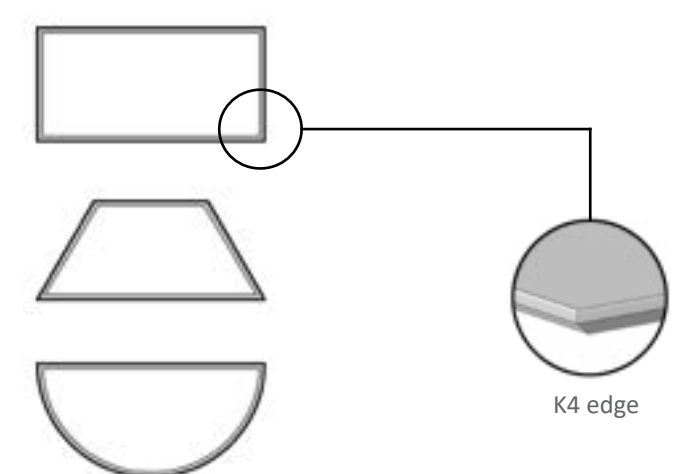
for when tables are to be ganged together



K1 edge

all edges profiled

for when tables are freestanding



K4 edge

power grommets

Please see the electrical pricebook for additional product information and options

AC-ELV1-01

- (2) power outlets
- (1) convenience outlet on bottom
- (2) RJ-45 keystone knockouts (jacks not included)
- 108" long 15amp plug cord
- standard Finish: Black



surface grommet sold separately



(image shown for reference only)

AC-ELV1-01-USB

- (2) power outlets
- (1) 2.1A USB charging port
- (1) 60-watt USB-C charging port
- (1) convenience outlet on bottom
- (2) RJ-45 keystone knockouts (jacks not included)
- 108" long 15amp plug cord
- standard Finish: Black



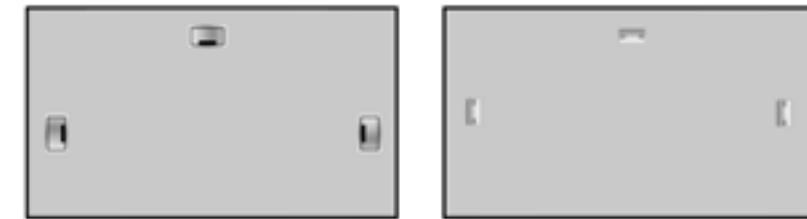
surface grommet sold separately



(image shown for reference only)

Model Number	Cord Length	Price
Electrical Units		
AC-ELV1-01	108" length	\$398
AC-ELV1-01-USB	108" length	\$613
Grommets		
AC-ELV2-08-BL	5.7" x 3.4" black hinged grommet	\$229
AC-ELV2-08-PL	5.7" x 3.4" silver hinged grommet	\$178
AC-ELV2-08-WT	5.7" x 3.4" white hinged grommet	\$229
AC-ELV2-08-ST	5.7" x 3.4" brushed stainless hinged grommet	\$307

grommet locations



AC-ELCV-AC02 or AC-ELCV-ACU2

- multiple configurations available
- spill resistant power outlets
- (1) 2.1A USB charging port
- (1) 60-watt USB-C charging port
- 108" long 15amp plug cord
- clamp mount
- finishes: Black, Silver, and White



Model Number	Cord Length	Price
AC-ELCV-AC02-WT	white	\$737
AC-ELCV-AC02-BK	black	\$737
AC-ELCV-AC02-SV	silver	\$737
Units w/ (2) Convenience Outlets		
AC-ELCV-AC2U-WT	white	\$954
AC-ELCV-AC2U-BK	black	\$954
AC-ELCV-AC2U-SV	silver	\$954

AC-PWRG-06

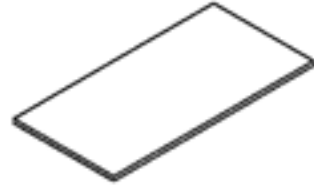
- round 3" grommet hole
- spill resistant power outlets
- (1) 2.1A USB charging port
- (1) 1 USB C charging port
- (1) convenience outlet on bottom
- 84" long 15amp plug cord
- mounting ring
- finishes: Black, and White



Model Number	Cord Length	Price
AC-PWRG-06-WT	white	\$151
AC-PWRG-06-BK	black	\$151

rectangular table top

TFL and HPL options

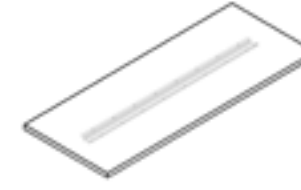


			TFL		HPL		
			1-1/8" Thick Standard TFL 2mm PVC	1-1/8" Thick Premium TFL 2mm PVC	1-1/8" Thick Standard HPL 2mm PVC	1-1/8" Thick MDF Core 2mm PVC Knife	1" Thick Plywood Core Exposed Plywood
Model Number	Depth	Length	T1-A1	T2-A1	H1-A1	H1-K1	H1-P1
19" Deep							
TT-RECT-1936-??-??	19	36	\$300	\$343	\$489	\$567	\$871
TT-RECT-1942-??-??	19	42	\$302	\$345	\$492	\$573	\$885
TT-RECT-1948-??-??	19	48	\$398	\$456	\$673	\$781	\$1,219
TT-RECT-1954-??-??	19	54	\$401	\$459	\$677	\$787	\$1,233
TT-RECT-1960-??-??	19	60	\$403	\$461	\$680	\$794	\$1,247
TT-RECT-1966-??-??	19	66	\$406	\$464	\$683	\$800	\$1,261
TT-RECT-1972-??-??	19	72	\$408	\$467	\$686	\$806	\$1,274
TT-RECT-1978-??-??	19	78	\$505	\$578	\$868	\$1,014	\$1,607
TT-RECT-1984-??-??	19	84	\$507	\$579	\$871	\$1,020	\$1,621
24" Deep							
TT-RECT-2436-??-??	24	36	\$302	\$345	\$492	\$572	\$883
TT-RECT-2442-??-??	24	42	\$305	\$348	\$495	\$578	\$897
TT-RECT-2448-??-??	24	48	\$401	\$459	\$677	\$786	\$1,230
TT-RECT-2454-??-??	24	54	\$403	\$461	\$680	\$792	\$1,244
TT-RECT-2460-??-??	24	60	\$406	\$464	\$683	\$800	\$1,257
TT-RECT-2466-??-??	24	66	\$408	\$467	\$686	\$806	\$1,271
TT-RECT-2472-??-??	24	72	\$411	\$471	\$687	\$812	\$1,285
TT-RECT-2478-??-??	24	78	\$505	\$578	\$869	\$1,020	\$1,620
TT-RECT-2484-??-??	24	84	\$508	\$581	\$872	\$1,026	\$1,633
30" Deep							
TT-RECT-3036-??-??	30	36	\$398	\$456	\$673	\$780	\$1,216
TT-RECT-3042-??-??	30	42	\$401	\$459	\$677	\$786	\$1,230
TT-RECT-3048-??-??	30	48	\$543	\$621	\$948	\$1,094	\$1,724
TT-RECT-3054-??-??	30	54	\$546	\$625	\$949	\$1,102	\$1,738
TT-RECT-3060-??-??	30	60	\$548	\$626	\$952	\$1,108	\$1,752
TT-RECT-3066-??-??	30	66	\$549	\$628	\$955	\$1,114	\$1,766
TT-RECT-3072-??-??	30	72	\$552	\$631	\$959	\$1,120	\$1,780
TT-RECT-3078-??-??	30	78	\$695	\$796	\$1,230	\$1,429	\$2,273
TT-RECT-3084-??-??	30	84	\$697	\$797	\$1,233	\$1,436	\$2,287

- TFL table tops are only available with DeskMakers standard 2MM PVC edgebanding.
- HPL table tops with 2mm PVC edges are only available with DeskMakers standard 2MM PVC edgebanding.
- Units 54" and longer are for use with fliptop bases only.
- DO NOT ORDER UNITS 54" AND LONGER FOR USE WITH POST LEGS OR T-LEGS.
- For rounded corners with a 4" radius use OP-EDGE-RND for an additional \$196 per top.
- Please see Cleaning and Care Guide for maintenance information.

rectangular table top with stiffener bar

TFL and HPL options



			TFL		HPL		
			1-1/8" Thick Standard TFL 2mm PVC	1-1/8" Thick Premium TFL 2mm PVC	1-1/8" Thick Standard HPL 2mm PVC	1-1/8" Thick MDF Core 2mm PVC Knife	1" Thick Plywood Core Exposed Plywood
Model Number	Depth	Length	T1-A1	T2-A1	H1-A1	H1-K1	H1-P1
19" Deep							
TT-RECS-1954-??-??	19	54	\$467	\$534	\$754	\$865	\$1,310
TT-RECS-1960-??-??	19	60	\$470	\$538	\$757	\$871	\$1,324
TT-RECS-1966-??-??	19	66	\$477	\$546	\$766	\$883	\$1,344
TT-RECS-1972-??-??	19	72	\$480	\$549	\$769	\$889	\$1,358
TT-RECS-1978-??-??	19	78	\$593	\$678	\$969	\$1,116	\$1,709
TT-RECS-1984-??-??	19	84	\$594	\$680	\$972	\$1,122	\$1,723
24" Deep							
TT-RECS-2454-??-??	24	54	\$470	\$538	\$757	\$869	\$1,321
TT-RECS-2460-??-??	24	60	\$473	\$541	\$760	\$877	\$1,335
TT-RECS-2466-??-??	24	66	\$480	\$549	\$769	\$889	\$1,355
TT-RECS-2472-??-??	24	72	\$483	\$553	\$771	\$895	\$1,368
TT-RECS-2478-??-??	24	78	\$593	\$678	\$971	\$1,122	\$1,721
TT-RECS-2484-??-??	24	84	\$596	\$682	\$974	\$1,128	\$1,735
30" Deep							
TT-RECS-3054-??-??	30	54	\$612	\$700	\$1,026	\$1,179	\$1,815
TT-RECS-3060-??-??	30	60	\$613	\$702	\$1,029	\$1,185	\$1,829
TT-RECS-3066-??-??	30	66	\$622	\$712	\$1,039	\$1,197	\$1,849
TT-RECS-3072-??-??	30	72	\$624	\$713	\$1,042	\$1,204	\$1,863
TT-RECS-3078-??-??	30	78	\$783	\$896	\$1,331	\$1,530	\$2,375
TT-RECS-3084-??-??	30	84	\$785	\$898	\$1,335	\$1,538	\$2,389

- TFL table tops are only available with DeskMakers standard 2MM PVC edgebanding.
- HPL table tops with 2mm PVC edges are only available with DeskMakers standard 2MM PVC edgebanding.
- For use with Post Legs and T-Legs only.
- Stiffener bar sizes: 48" for 54" & 60" tops, 60" for 66" & 72" tops, 72" for 78" & 84" tops.
- DO NOT ORDER FOR USE WITH FLIP TOP BASES
- For rounded corners with a 4" radius use OP-EDGE-RND for an additional \$196 per top.
- Please see Cleaning and Care Guide for maintenance information.

half round table top

TFL and HPL options



TFL		HPL					
1-1/8" Thick Standard TFL	1-1/8" Thick Premium TFL	1-1/8" Thick Standard HPL	1-1/8" Thick MDF Core	1" Thick Plywood Core			
2mm PVC	2mm PVC	2mm PVC	2mm PVC Knife	Exposed Plywood			
Model Number	Depth	Length	T1-A1	T2-A1	H1-A1	H1-K1	H1-P1
TT-HRND-1938-??-??	19	38	\$412	\$471	\$652	\$893	\$1,099
TT-HRND-2448-??-??	24	48	\$518	\$593	\$820	\$1,050	\$1,313
TT-HRND-3060-??-??	30	60	\$753	\$862	\$1,189	\$1,242	\$1,521

- TFL table tops are only available with DeskMakers standard 2MM PVC edgebanding.
- HPL table tops with 2mm PVC edges are only available with DeskMakers standard 2MM PVC edgebanding.
- Units 54" and longer come standard with an anti-sag stiffener bar.
- For use with four Post Legs or two T-Legs only.
- DO NOT ORDER FOR USE WITH FLIP TOP BASES WITH STEEL BEAM CROSSE BAR.
- Please see Cleaning and Care Guide for maintenance information.

trapezoid table top

TFL and HPL options



			TFL		HPL		
			1-1/8" Thick Standard TFL	1-1/8" Thick Premium TFL	1-1/8" Thick Standard HPL	1-1/8" Thick MDF Core	1" Thick Plywood Core
			2mm PVC	2mm PVC	2mm PVC	2mm PVC Knife	Exposed Plywood
Model Number	Depth	Length	T1-A1	T2-A1	H1-A1	H1-K1	H1-P1
TT-TRPZ-1938-??-??	19	19-38	\$380	\$434	\$600	\$678	\$855
TT-TRPZ-2448-??-??	24	24-48	\$391	\$447	\$618	\$791	\$966
TT-TRPZ-2460-??-??	24	36-60	\$571	\$654	\$901	\$964	\$1,147
TT-TRPZ-3060-??-??	30	30-60	\$639	\$731	\$1,010	\$1,226	\$1,313
TT-TRPZ-4272-??-??	30	42-72	\$739	\$845	\$1,164	\$1,242	\$2,118

- TFL table tops are only available with DeskMakers standard 2MM PVC edgebanding.
- HPL table tops with 2mm PVC edges are only available with DeskMakers standard 2MM PVC edgebanding.
- Units 54" and longer come standard with an anti-sag stiffener bar.
- For use with four Post Legs or two T-Legs only.
- DO NOT ORDER FOR USE WITH FLIP TOP BASES WITH STEEL BEAM CROSSE BAR.
- Please see the Materials Specification Guide for specifications and finishes.

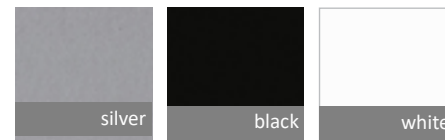
newport bases



details

- 2-3/8" diameter column and feet
- fully welded construction
- glides have 3/8" long stem
- casters are 2-3/8" high, 2" black nylon wheels
- 14 gauge tube steel with 25% recycled content
- powdercoat finish
- available in flip-top and fixed bases

finishes



flip-top bases

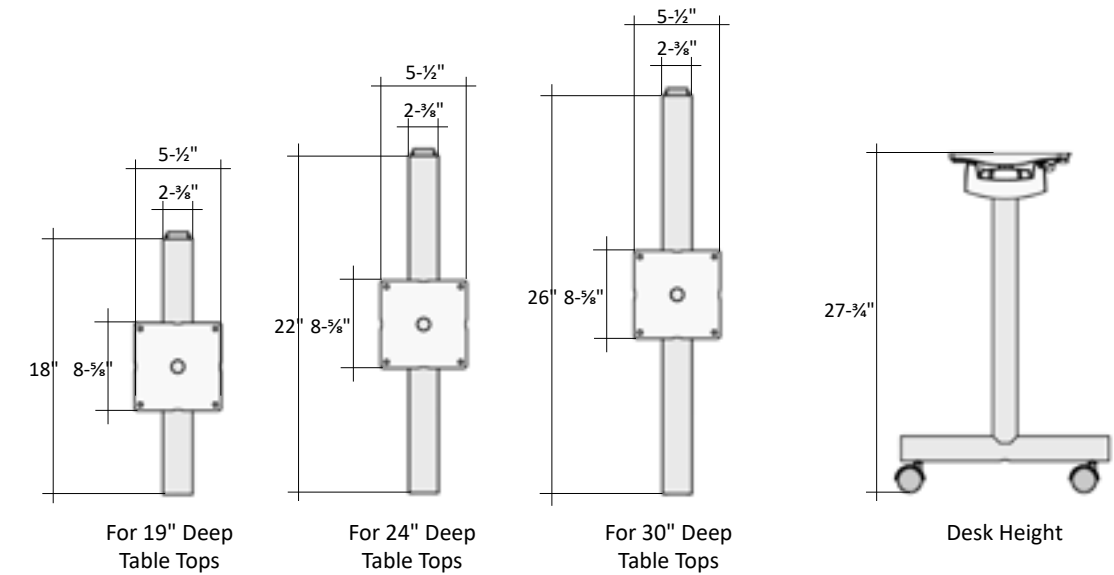
- worksurfaces lock in both flat and upright positions
- paddle release handle is standard underneath the surface and can be operated with one hand
- user side flips up
- hinged modesty panels should be used with flip-top bases
- standard with 2 locking and 2 non-locking casters

table tops for newport flip-top bases



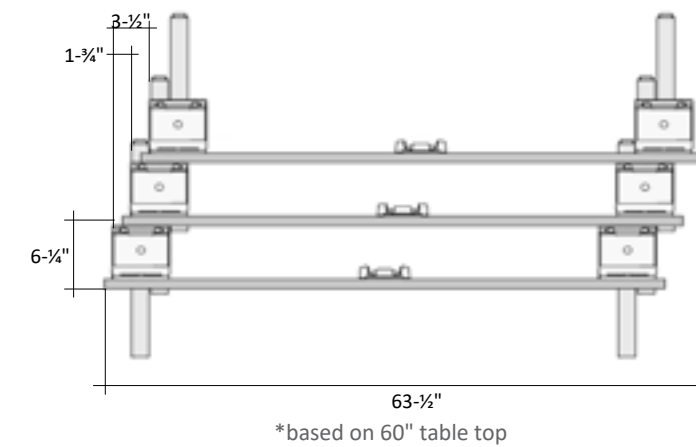
rectangular
*specify table tops without stiffener bar

dimensions



nesting dimensions

tables can be nested together for storage when placed in the upright position



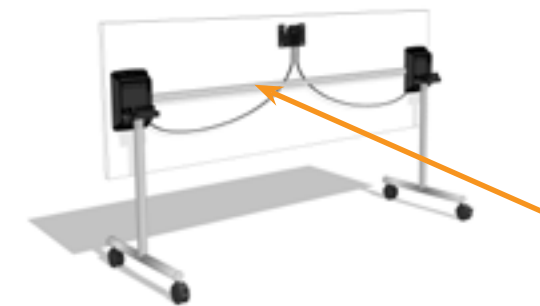
newport flip-top bases



pricing

Model Number	Table Top Size	Base Height	Base Size	Bases Included	Price
ML-FT04-15-SET-??	19" deep	27 3/4	15 1/4	2	\$1,475
ML-FT04-20-SET-??	24" deep	27 3/4	20	2	\$1,525
ML-FT04-26-SET-??	30" deep	27 3/4	26	2	\$1,580

- To order, replace "??" with SV for Silver Metallic, BK for Black or WT for White finish.
 - Table tops 54" and longer require anti-sag stiffener bar.



Stiffener bar required to support tables 54" and longer. When paired with Flip-top bases, stiffener bars should be 15" less than the width of the top.

pricing

Model Number	Bar Length	Table Top Size	Price
AC-RDSR-39	39	54	\$128
AC-RDSR-45	45	60	\$136
AC-RDSR-51	51	66	\$140
AC-RDSR-57	57	72	\$152
AC-RDSR-63	63	78	\$166
AC-RDSR-69	69	84	\$179

newport fixed t-leg details

dimensions

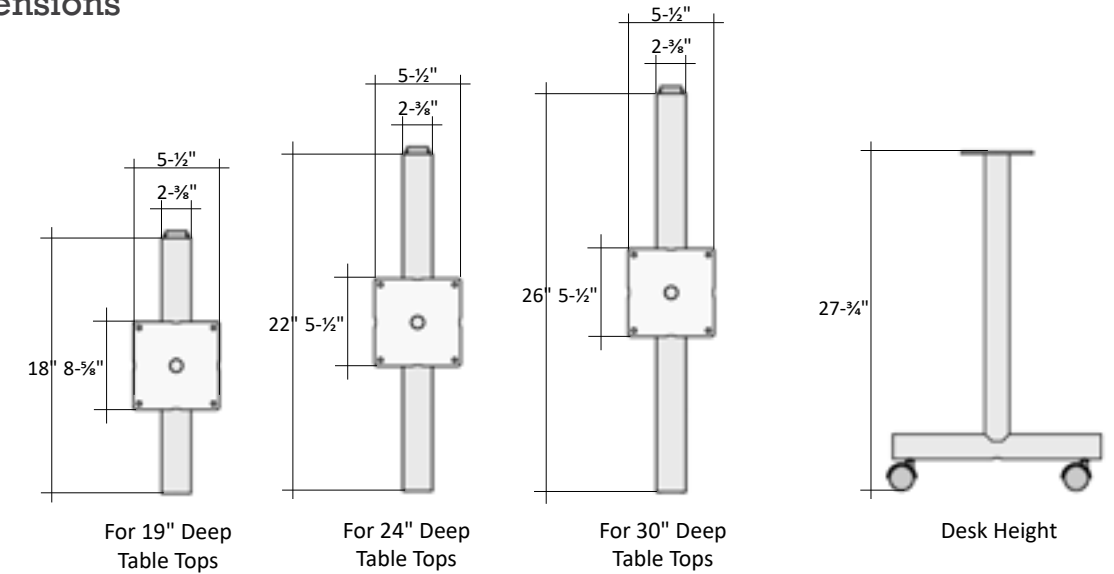


table tops for newport fixed bases



*table tops 54" and longer require stiffener bar

pricing

Model Number	Table Top Size	Base Height	Base Size	Bases Included	Price
Levelers					
ML-TLG1-19-SET-??	19" deep	27 3/4	18	2	\$578
ML-TLG1-24-SET-??	24" deep	27 3/4	22	2	\$587
ML-TLG1-30-SET-??	30" deep	27 3/4	26	2	\$615
Castors					
ML-TLG2-19-SET-??	19" deep	27 3/4	18	2	\$644
ML-TLG2-24-SET-??	24" deep	27 3/4	22	2	\$654
ML-TLG2-26-SET-??	30" deep	27 3/4	26	2	\$681

- To order, replace "??" with SV for Silver Metallic, BK for Black or WT for White finish.
 - Table tops 54" and longer require anti-sag stiffener bar.

venice bases

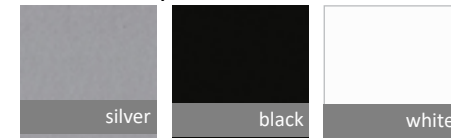


details

- 2-1/4" steel column and feet are cast aluminum
- fully welded construction of top plate to column
- aluminum feet are bolted to steel column, field assembly required
- glides have 3/4" long stem
- 13 gauge tube steel

finishes

standard - powdercoat



flip-top bases

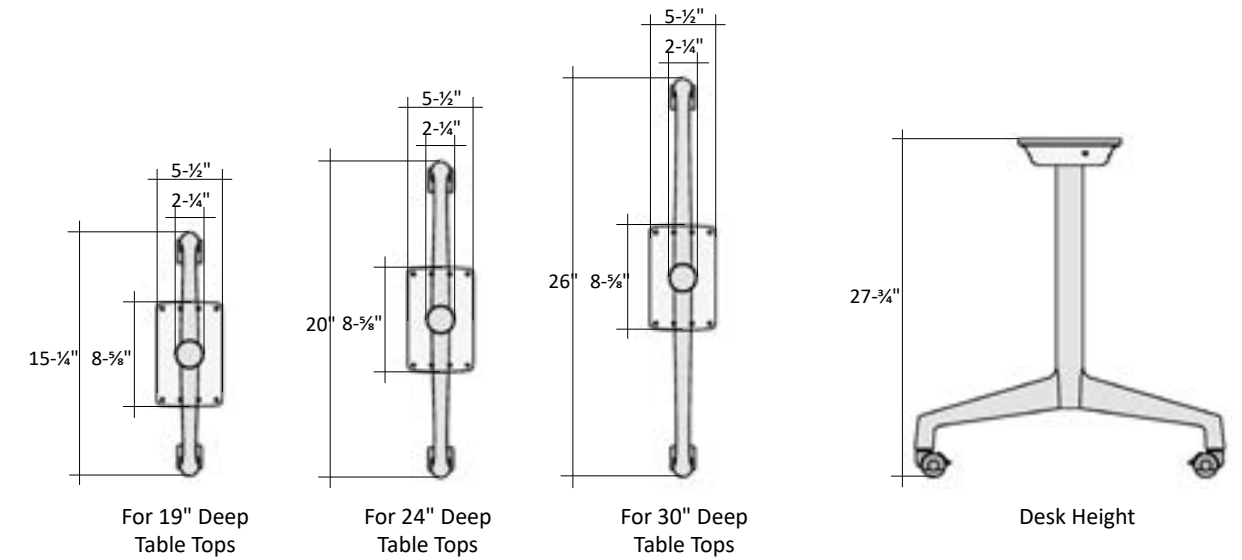
- worksurfaces lock in both flat and upright positions
- does not include a steel beam cross bar
- paddle release handle is standard underneath the surface and can be operated with one hand
- user side flips up
- hinged modesty panels should be used with flip-top bases
- standard with 2 locking and 2 non-locking casters
- solid wood table tops cannot be used on flip-top bases

table tops for venice fixed bases



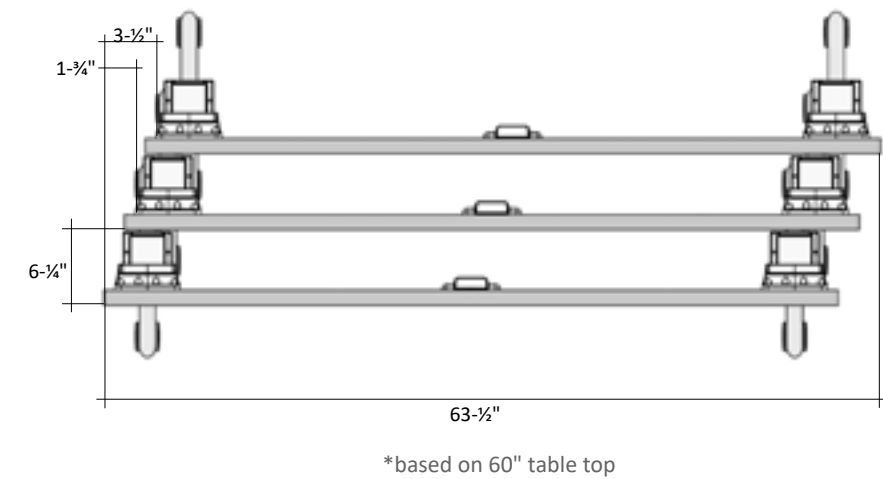
rectangular trapezoid half-round
*table tops 54" and longer require stiffener bar

dimensions



nesting dimensions

tables can be nested together for storage when placed in the upright position



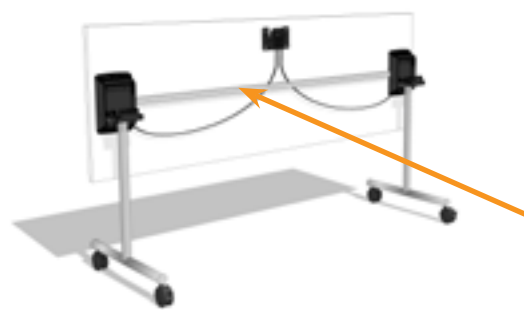
venice flip-top t-leg base



pricing

Model Number	Table Top Size	Base Height	Base Size	Bases Included	Pricing
ML-FT04-15-SET-??	19" deep	27 3/4"	15 1/4"	2	\$1,475
ML-FT04-20-SET-??	24" deep	27 3/4"	20"	2	\$1,525
ML-FT04-26-SET-??	30" deep	27 3/4"	26"	2	\$1,580

- To order, replace "???" with SV for Silver Metallic, BK for Black or WT for White finish.
 - Table tops 54" and longer require anti-sag stiffener bar.



Stiffener bar required to support tables 54" and longer. When paired with Flip-top bases, stiffener bars should be 15" less than the width of the top.

pricing

Model Number	Bar Length	Table Top Size	Pricing
AC-RDSR-39	39	54	\$128
AC-RDSR-45	45	60	\$136
AC-RDSR-51	51	66	\$140
AC-RDSR-57	57	72	\$152
AC-RDSR-63	63	78	\$166
AC-RDSR-69	69	84	\$179

venice fixed t-leg base

dimensions

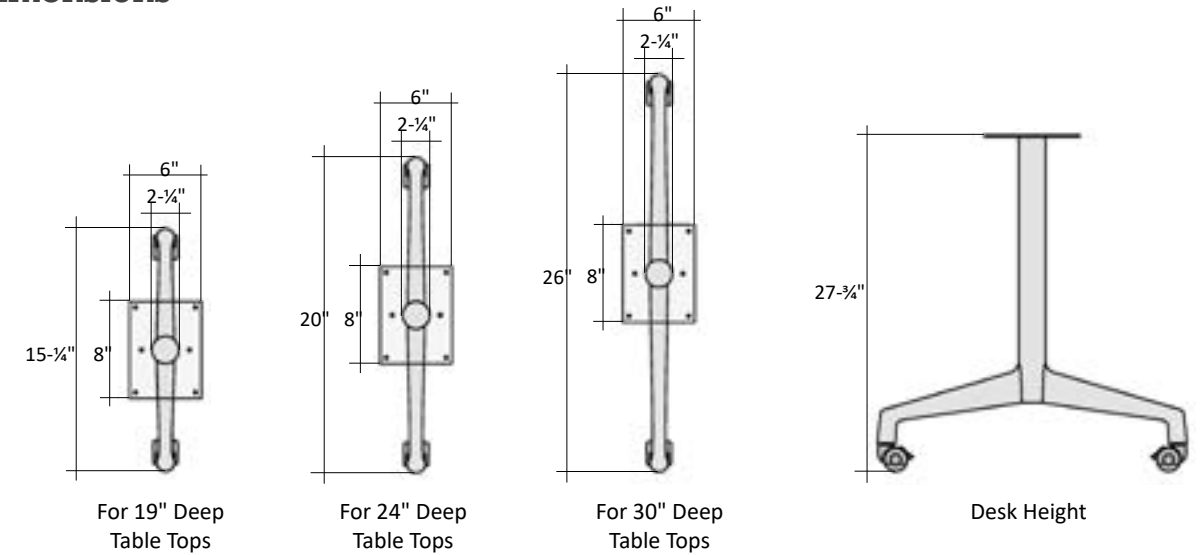


table tops for venice fixed bases



*table tops 54" and longer require stiffener bar

pricing

Model Number	Table Top Size	Base Height	Base Size	Bases Included	Pricing
Levelers					
ML-PRPL-TL15-SET-??	19" deep	27 3/4"	15 1/4"	2	\$658
ML-PRPL-TL20-SET-??	24" deep	27 3/4"	20"	2	\$702
ML-PRPL-TL26-SET-??	30" deep	27 3/4"	26"	2	\$748
Casters					
ML-PRPL-TC15-SET-??	19" deep	27 3/4"	15 1/4"	2	\$738
ML-PRPL-TC20-SET-??	24" deep	27 3/4"	20"	2	\$782
ML-PRPL-TC26-SET-??	30" deep	27 3/4"	26"	2	\$830

- To order, replace "???" with SV for Silver Metallic, BK for Black or WT for White finish.
 - Table tops 54" and longer require anti-sag stiffener bar.

costa flip-top t-leg base

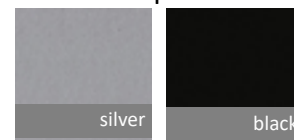


details

- locking flip-top mechanism
- adjustable width frame
- aluminum feet are bolted to steel column, field assembly required
- locking, swivel casters

finishes

standard - powdercoat



dimensions

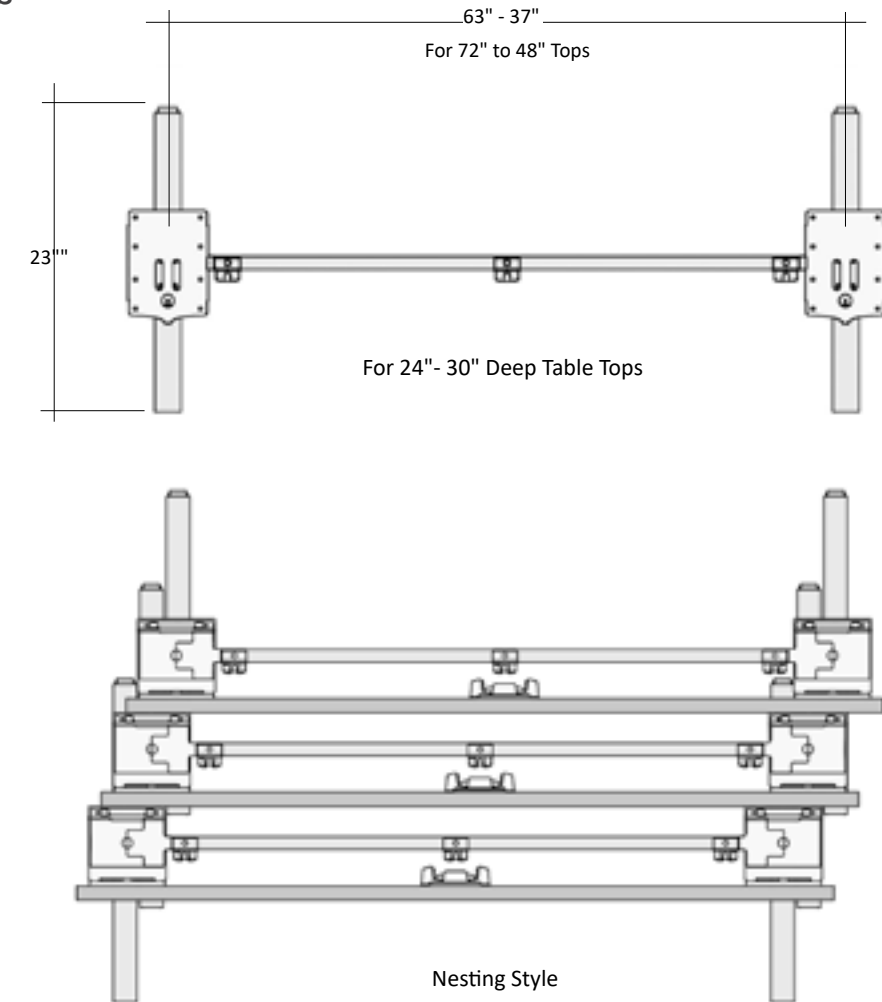


table tops for costa flip-top bases



rectangular

pricing

Model Number	Table Top Size	Base Height	Base Size	Pricing
ML-FT06-24-??	24" deep	29 1/2	23	\$542

- To order, replace "??" with SV for Silver Metallic, or BK for Black.
 - Costa Fliptops are a complete frame system that only require a top. The frame is adjustable in 6" to accomodate tops from 48" to 72". Other sizes and top shapes are not recommended.

cabrillo base



details

- 2" diameter column and feet are 1-3/8" diameter
- fully welded construction of top plate to column
- glides have 3/8" long stem
- casters are 2-3/8" high, 2" black nylon wheels
- 14 gauge tube steel with 25% recycled content
- powdercoat finish
- available in fixed height with levelers or casters

finishes

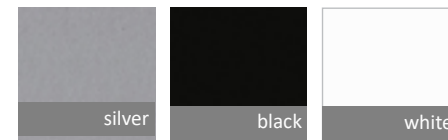


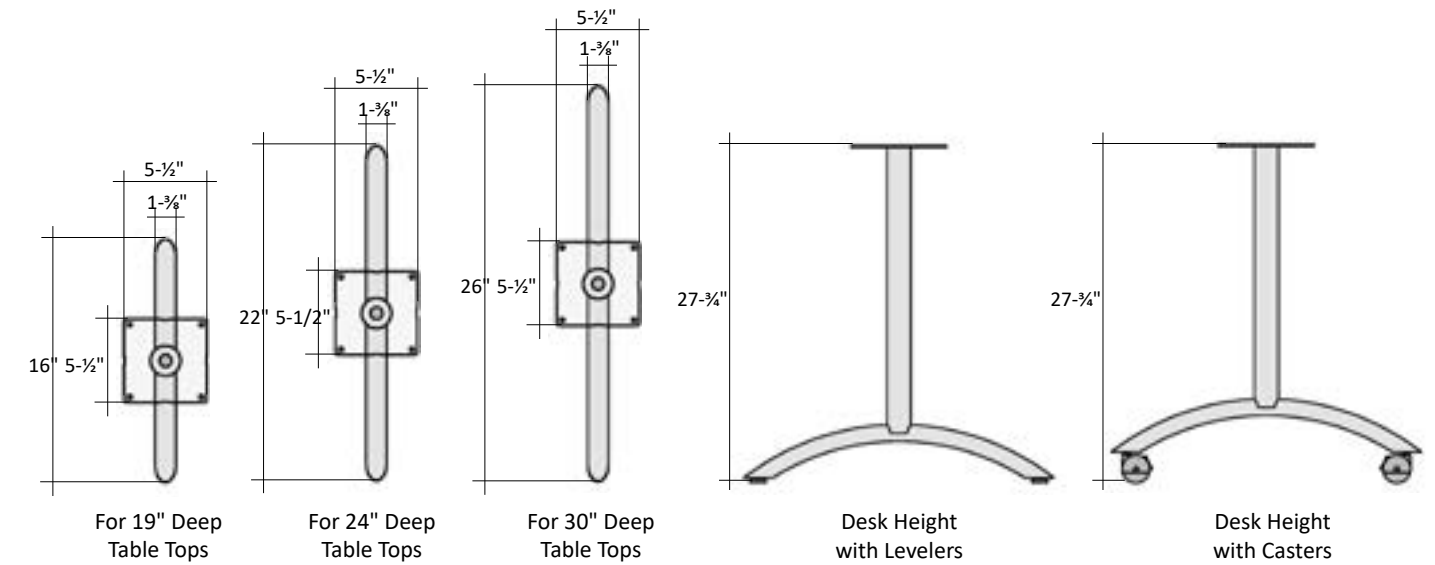
table tops for cabrillo fixed bases



rectangular trapezoid half-round

*table tops 54" and longer require stiffener bar

dimensions



pricing

Model Number	Table Top Size	Base Height	Base Size	Bases Included	Price
Levelers					
ML-TLG8-16-SET-??	19" deep	27 3/4	16	2	\$654
ML-TLG8-22-SET-??	24" deep	27 3/4	22	2	\$654
ML-TLG8-26-SET-??	30" deep	27 3/4	26	2	\$672
Casters					
ML-TLG9-15-SET-??	19" deep	27 3/4	16	2	\$720
ML-TLG9-20-SET-??	24" deep	27 3/4	22	2	\$720
ML-TLG9-26-SET-??	30" deep	27 3/4	26	2	\$738

- To order, replace "??" with SV for Silver Metallic, BK for Black or WT for White finish.
 - Table tops 54" and longer require anti-sag stiffener bar.

strands legs



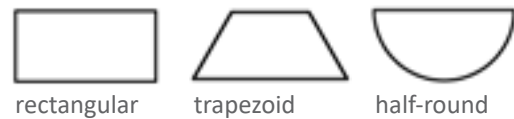
round post details

- 2" diameter column
- fully welded construction of top plate to column
- glides have 3/8" long stem
- casters are 2-3/8" high, 2" black nylon wheels
- 14 gauge tube steel
- powdercoat finish

square post details

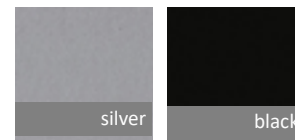
- 2-1/2" x 2-1/2" column
- fully welded construction of top plate to column
- each leg has one leveling glide located at the bottom of each leg and provides 1-1/2" of adjustment.
- 14 gauge tube steel
- powdercoat finish

table tops for strands legs

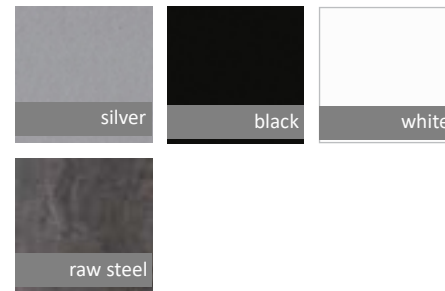


*table tops 54" and longer require stiffener bar
 *maximum table top size is 36" x 72"

round post finishes



square post finishes



levelers



casters

round post pricing

Model Number	Base Height	Base Size	Legs Included	Price
Levelers				
TT-RPST-02-SET-BK	27 3/4	2	4	\$493
TT-RPST-02-SET-SV	27 3/4	2	4	\$493
Casters				
TT-RPST-03-SET-BK	27 3/4	2	4	\$554
TT-RPST-03-SET-SV	27 3/4	2	4	\$554



square post pricing

Model Number	Base Height	Base Size	Legs Included	Price
TT-RPST-14-SET-SV	27 3/4	2 1/2	4	\$783
TT-RPST-14-SET-BK	27 3/4	2 1/2	4	\$862
TT-RPST-14-SET-WT	27 3/4	2 1/2	4	\$862
TT-RPST-14-SET-RW	27 3/4	2 1/2	4	\$862

laminated fixed modesty panel

12" high



Model Number	Height	Width	TFL (T)	HPL w/PVC (H)
TT-LMOD-1232-?	12	32	\$187	\$317
TT-LMOD-1234-?	12	34	\$190	\$318
TT-LMOD-1236-?	12	36	\$193	\$325
TT-LMOD-1238-?	12	38	\$195	\$327
TT-LMOD-1240-?	12	40	\$200	\$334
TT-LMOD-1242-?	12	42	\$204	\$342
TT-LMOD-1244-?	12	44	\$208	\$349
TT-LMOD-1246-?	12	46	\$209	\$352
TT-LMOD-1248-?	12	48	\$212	\$357
TT-LMOD-1250-?	12	50	\$216	\$363
TT-LMOD-1252-?	12	52	\$217	\$366
TT-LMOD-1254-?	12	54	\$222	\$373
TT-LMOD-1256-?	12	56	\$229	\$386
TT-LMOD-1258-?	12	58	\$238	\$401
TT-LMOD-1260-?	12	60	\$245	\$412
TT-LMOD-1262-?	12	62	\$248	\$415
TT-LMOD-1264-?	12	64	\$257	\$434
TT-LMOD-1266-?	12	66	\$264	\$446
TT-LMOD-1268-?	12	68	\$269	\$454
TT-LMOD-1270-?	12	70	\$277	\$466
TT-LMOD-1272-?	12	72	\$286	\$483

- Grain runs horizontally for all sizes.
- Ships unattached.
- Cannot be used on fliptop tables.

laminated hinged modesty panel

12" high

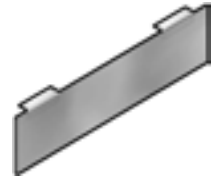


Model Number	Height	Width	TFL (T)	HPL w/PVC (H)
TT-LMDH-1232-?	12	32	\$301	\$508
TT-LMDH-1234-?	12	34	\$303	\$510
TT-LMDH-1236-?	12	36	\$306	\$517
TT-LMDH-1238-?	12	38	\$311	\$523
TT-LMDH-1240-?	12	40	\$312	\$529
TT-LMDH-1242-?	12	42	\$335	\$562
TT-LMDH-1244-?	12	44	\$341	\$576
TT-LMDH-1246-?	12	46	\$343	\$578
TT-LMDH-1248-?	12	48	\$348	\$586
TT-LMDH-1250-?	12	50	\$369	\$620
TT-LMDH-1252-?	12	52	\$372	\$623
TT-LMDH-1254-?	12	54	\$375	\$630
TT-LMDH-1256-?	12	56	\$378	\$635
TT-LMDH-1258-?	12	58	\$396	\$669
TT-LMDH-1260-?	12	60	\$402	\$678
TT-LMDH-1262-?	12	62	\$406	\$684
TT-LMDH-1264-?	12	64	\$407	\$686
TT-LMDH-1266-?	12	66	\$430	\$723
TT-LMDH-1268-?	12	68	\$433	\$730
TT-LMDH-1270-?	12	70	\$438	\$739
TT-LMDH-1272-?	12	72	\$443	\$745

- Grain runs horizontally for all sizes.
- Ships unattached.
- Ships with hinges. For use on fliptop tables.
- Modesty panels may need to be 10" shorter than table top width to avoid conflict with legs/feet on 36" deep tables.

unframed acrylic modesty panel

12" high



Model Number	Height	Width	3/16" Frosted Acrylic (A)
TT-AMOD-1232	12	32	\$430
TT-AMOD-1234	12	34	\$443
TT-AMOD-1236	12	36	\$454
TT-AMOD-1238	12	38	\$465
TT-AMOD-1240	12	40	\$478
TT-AMOD-1242	12	42	\$488
TT-AMOD-1244	12	44	\$497
TT-AMOD-1246	12	46	\$513
TT-AMOD-1248	12	48	\$525
TT-AMOD-1250	12	50	\$595
TT-AMOD-1252	12	52	\$605
TT-AMOD-1254	12	54	\$618
TT-AMOD-1256	12	56	\$632
TT-AMOD-1258	12	58	\$642
TT-AMOD-1260	12	60	\$653
TT-AMOD-1262	12	62	\$665
TT-AMOD-1264	12	64	\$676
TT-AMOD-1266	12	66	\$686
TT-AMOD-1268	12	68	\$700
TT-AMOD-1270	12	70	\$711
TT-AMOD-1272	12	72	\$723

- Ships unattached.
- Cannot be used on flip-top tables.

training table connecting bracket

for leveling applications



Model Number	Price
AC-BRKT-TT Two brackets with screws	\$27

- Use to connect tables where the strength of the connection is paramount and re-configurations will occur infrequently.
- Includes two brackets and screws.
- Must be field installed.

training table ganging connector bracket



Model Number	Price
TT-BRKT-GANG One bracket consisting of two symmetrical pieces	\$60

- Use to connect tables that will be frequently disconnected and reconfigured.
- Set includes two symmetrical ganging bracket pieces and screws.
- Must be field installed.
- Not recommended for areas with uneven floors.



One piece of connector is secured to the underside of each table to be ganged together.



By rotating the ganging pieces, the table is securely ganged together.

occasional

table of contents



Occasional Table Tops	146-149
Beacon	150-151
Mission	152-153
Venice	154-155
Zuma	156-157
Torrey	158
Balboa	159
Doheny	160-161
Solana	162-165

round table top

TFL and HPL options

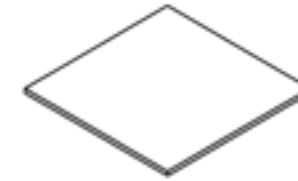


			TFL		HPL		
			1-1/8" Thick Standard TFL	1-1/8" Thick Premium TFL	1-1/8" Thick Standard HPL	1-1/8" Thick MDF Core	1" Thick Plywood Core
			2mm PVC	2mm PVC	2mm PVC	2mm PVC Knife	Exposed Plywood
Model Number	Depth	Length	T1-A1	T2-A1	H1-A1	H1-K1	H1-P1
TP-FULR-1818-??-??	18	18	\$220	\$243	\$347	\$401	\$440
TP-FULR-2020-??-??	20	20	\$274	\$301	\$432	\$500	\$547
TP-FULR-2222-??-??	22	22	\$328	\$361	\$518	\$600	\$657
TP-FULR-2424-??-??	24	24	\$391	\$430	\$681	\$715	\$781
TP-FULR-2626-??-??	26	26	\$459	\$505	\$725	\$840	\$918
TP-FULR-2828-??-??	28	28	\$528	\$581	\$833	\$964	\$1,055
TP-FULR-3030-??-??	30	30	\$636	\$700	\$1,002	\$1,161	\$1,271
TP-FULR-3232-??-??	32	32	\$616	\$678	\$974	\$1,250	\$1,384
TP-FULR-3434-??-??	34	34	\$631	\$694	\$996	\$1,355	\$1,464
TP-FULR-3636-??-??	36	36	\$645	\$710	\$1,020	\$1,448	\$1,548

- TFL worksurfaces are only available with DeskMakers standard 2MM PVC edgebanding.
- HPL worksurfaces with 2mm PVC edges are only available with DeskMakers standard 2MM PVC edgebanding.
- Please see Cleaning and Care Guide for maintenance information.

square table top

TFL and HPL options

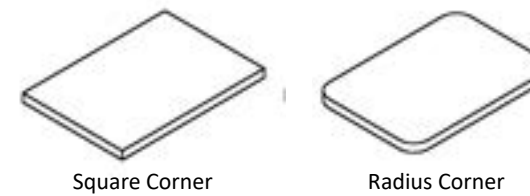


			TFL		HPL		
			1-1/8" Thick Standard TFL	1-1/8" Thick Premium TFL	1-1/8" Thick Standard HPL	1-1/8" Thick MDF Core	1" Thick Plywood Core
			2mm PVC	2mm PVC	2mm PVC	2mm PVC Knife	Exposed Plywood
Model Number	Depth	Length	T1-A1	T2-A1	H1-A1	H1-K1	H1-P1
TP-SQRE-1818-??-??	18	18	\$216	\$237	\$341	\$547	\$681
TP-SQRE-2020-??-??	20	20	\$269	\$296	\$424	\$681	\$847
TP-SQRE-2222-??-??	22	22	\$322	\$354	\$510	\$710	\$896
TP-SQRE-2424-??-??	24	24	\$431	\$474	\$681	\$754	\$974
TP-SQRE-2626-??-??	26	26	\$436	\$480	\$689	\$767	\$979
TP-SQRE-2828-??-??	28	28	\$465	\$512	\$734	\$798	\$1,020
TP-SQRE-3030-??-??	30	30	\$559	\$615	\$883	\$960	\$1,093
TP-SQRE-3232-??-??	32	32	\$502	\$552	\$793	\$927	\$1,098
TP-SQRE-3434-??-??	34	34	\$536	\$589	\$845	\$1,008	\$1,238
TP-SQRE-3636-??-??	36	36	\$581	\$639	\$919	\$1,137	\$1,448

- TFL worksurfaces are only available with DeskMakers standard 2MM PVC edgebanding.
- HPL worksurfaces with 2mm PVC edges are only available with DeskMakers standard 2MM PVC edgebanding.
- For rounded corners with a 4" radius use OP-EDGE-RND for an additional \$196 per top.
- Please see Cleaning and Care Guide for maintenance information.

rectangular table tops for zuma laptop tables

TFL and HPL options



			TFL		HPL		
			1-1/8" Thick Standard TFL	1-1/8" Thick Premium TFL	1-1/8" Thick Standard HPL	1-1/8" Thick MDF Core	1" Thick Plywood Core
			2mm PVC	2mm PVC	2mm PVC	2mm PVC Knife	Exposed Plywood
Model Number	Depth	Length	T1-A1	T2-A1	H1-A1	H1-K1	H1-P1
Square Corner							
TP-RECT-1218-??-??	12	18	\$206	\$227	\$254	\$368	\$434
TP-RECT-1420-??-??	14	20	\$224	\$246	\$285	\$415	\$578
Radius Corner							
TP-RECC-1218-??-??	12	18	\$227	\$250	\$280	\$405	\$478
TP-RECC-1420-??-??	14	20	\$246	\$271	\$313	\$457	\$635

- TFL worksurfaces are only available with DeskMakers standard 2MM PVC edgebanding.
- HPL worksurfaces with 2mm PVC edges are only available with DeskMakers standard 2MM PVC edgebanding.
- Please see Cleaning and Care Guide for maintenance information.

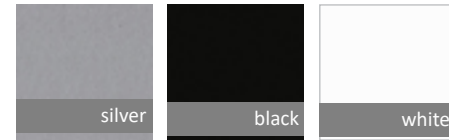
beacon base



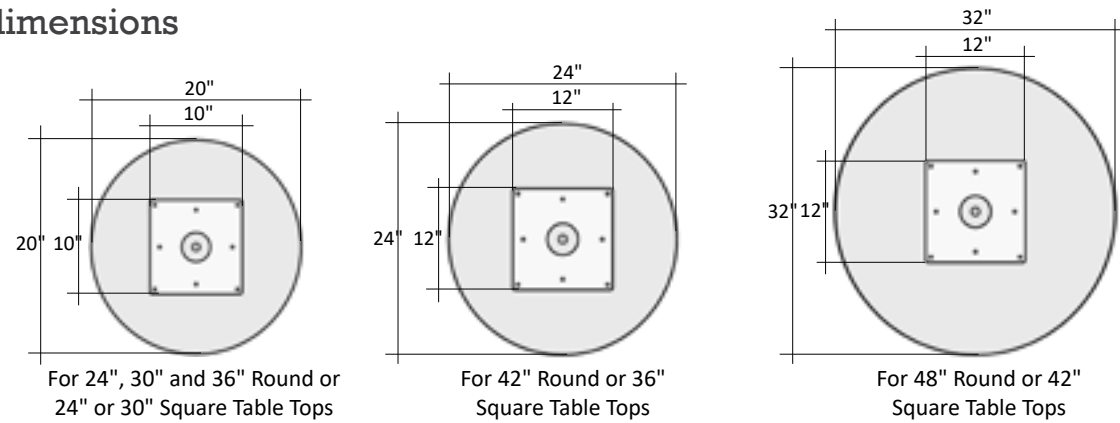
details

- tables tops are sold separately
- 3" diameter column
- glides have 1/8" adjustability and raise the base 1/4" above the floor
- fully welded construction of top plate to column
- disc is bolted to column, field assembly required
- 14 gauge tube steel with 25% recycled content
- powdercoat finish
- available in occasional, desk and standing heights

finishes



dimensions

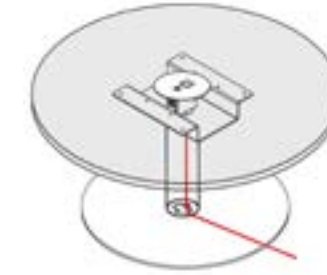


pricing

Model Number	Table Top Size	Base Height	Base Size	Bases Included	Price
CF-RDDK-03-20-??	24", 30" or 36" round or 24" or 30" square	15	20	1	\$1,123
CF-RDDK-03-24-??	42" round or 36" square	15	24	1	\$1,184
CF-RDDK-03-32-??	48" round or 42" square	15	32	1	\$1,392

- Includes leveling glides.
 - To order, replace "???" with SV for Silver, BK for Black or WT for White finish.

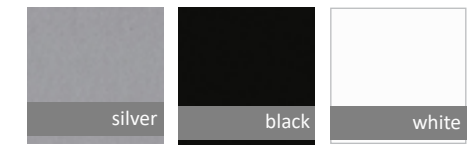
beacon power base



details

- tables tops are sold separately
- allows cords to pass through the base and exit at the bottom underneath the disc base
- 4" diameter column
- top plate allows for centered power grommet
- glides have 1/8" adjustability and raise the base 1/4" above the floor
- fully welded construction of top plate to column
- disc is bolted to column, field assembly required
- 14 gauge tube steel with 25% recycled content
- powdercoat finish
- available in occasional, desk and standing heights

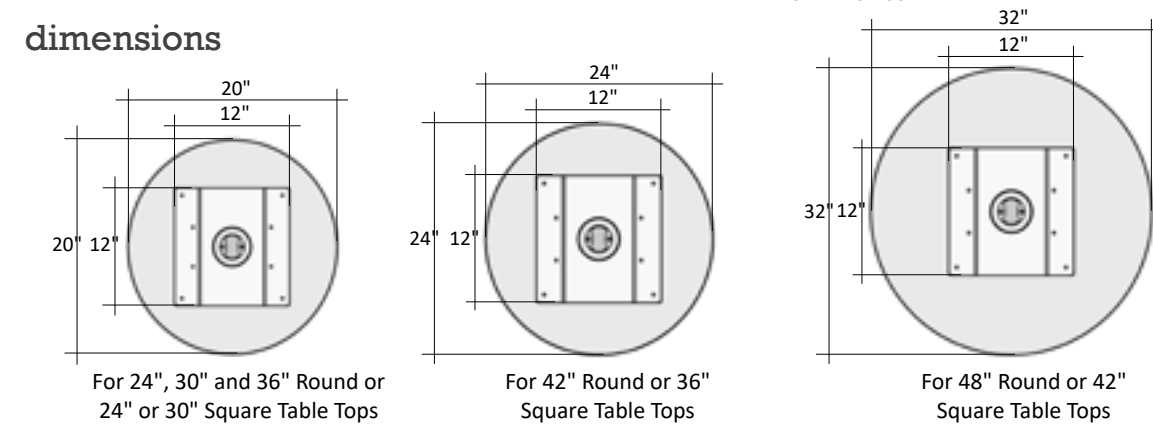
finishes



compliant electrical units

- AC-ELCV-AC02
- AC-ELCV-AC03
- AC-PWRG-06
- AC-ELV1-01
- AC-ELV1-01-USB

dimensions



pricing

Model Number	Table Top Size	Base Height	Base Size	Bases Included	Price
CF-RDDK-EL03-20-??	24", 30" or 36" round or 24" or 30" square	15	20	1	\$1,437
CF-RDDK-EL03-24-??	42" round or 36" square	15	24	1	\$1,498
CF-RDDK-EL03-32-??	48" round or 42" square	15	32	1	\$1,708

- Includes leveling glides.
 - To order, replace "???" with SV for Silver, BK for Black or WT for White finish.

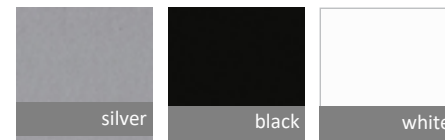
mission base



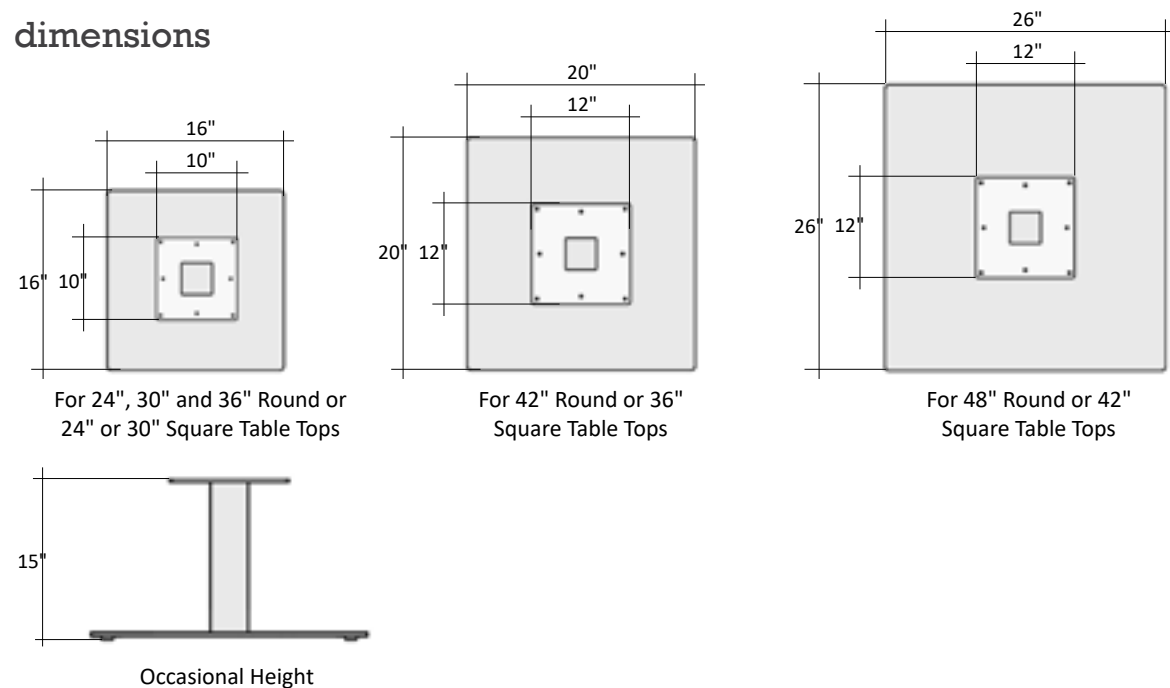
details

- tables tops are sold separately
- 3" x 3" square column
- top and bottom plates are bolted to column, field assembly required
- glides have 1/8" adjustability and raise the base 1/4" above the floor
- powdercoat finish
- available in occasional, desk and standing heights

finishes



dimensions



pricing

Model Number	Table Top Size	Base Height	Base Size	Bases Included	Price
CF-SQDK-03-16-??	24", 30" or 36" round or 24" or 30" square	15	16	1	\$1,122
CF-SQDK-03-20-??	42" round or 36" square	15	20	1	\$1,183
CF-SQDK-03-26-??	48" round or 42" square	15	26	1	\$1,392

- Includes leveling glides.
- To order, replace "???" with SV for Silver, BK for Black or WT for White finish.



venice x-base

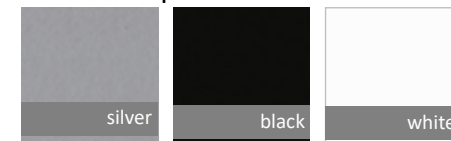


details

- tables tops are sold separately
- 2-1/4" steel column and feet are cast aluminum
- maximum table size: 54" diameter or 42" square
- available in occasional, desk and standing heights
- fully welded construction of top plate to column
- aluminum feet are bolted to steel column, field assembly required
- glides have 3/4" long stem
- 13 gauge tube steel

finishes

standard - powdercoat



orientation

for mounting x-bases on square table tops

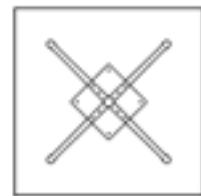
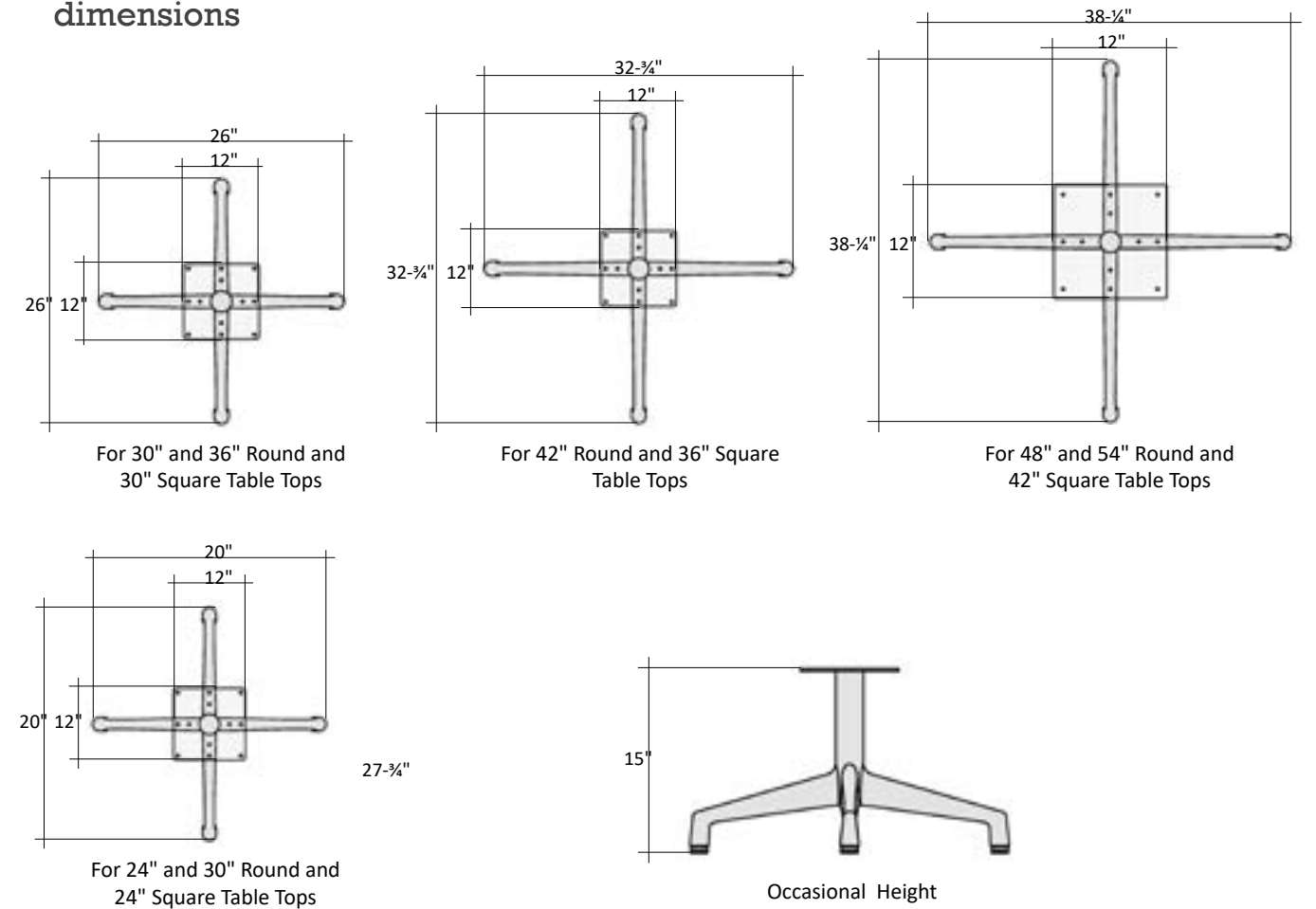


table tops for venice x-bases



dimensions



pricing

Model Number	Table Top Size	Base Height	Base Size	Bases Included	Pricing
Occasional Height					
ML-PRPL-03-15-??	18" round; or 18" square	15	15 1/4	1	\$617
ML-PRPL-03-20-??	24" round; or 24" square	15	20	1	\$623
ML-PRPL-03-26-??	30" and 36" round; or 30" square	15	26	1	\$661
ML-PRPL-03-33-??	42" round; or 36" square	15	33 1/4	1	\$713

- Includes leveling glides.
- To order replace "???" with SV for Silver, BK for Black or WT for White finish.

zuma base

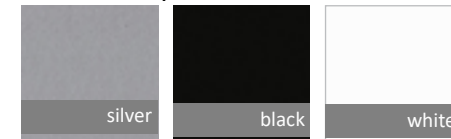


details

- tables tops are sold separately
- 1-1/2" steel offset column and base
- bolted construction of top and bottom plates to column
- plastic glides for carpet and hard surfaces, no adjustment
- 13 gauge tube steel
- ships unassembled, field assembly required

finishes

standard - powdercoat



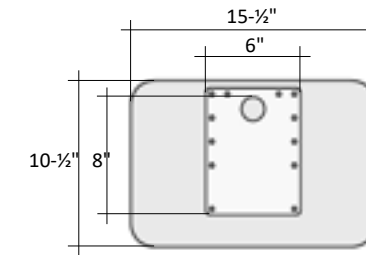
round laptop table



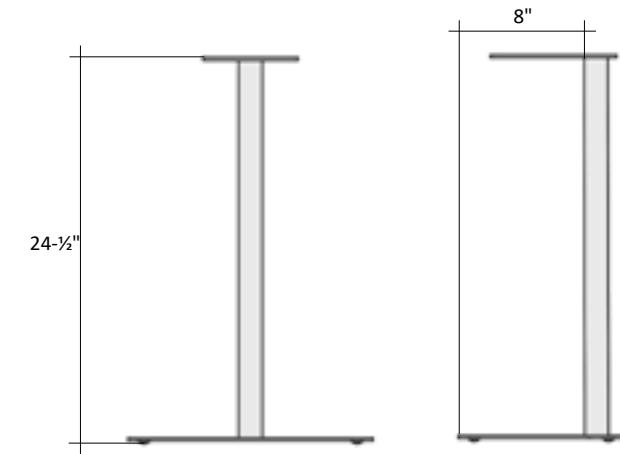
rectangular laptop table



dimensions

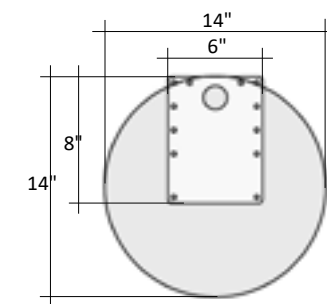


14" x 20" Maximum Rectangular Table Top

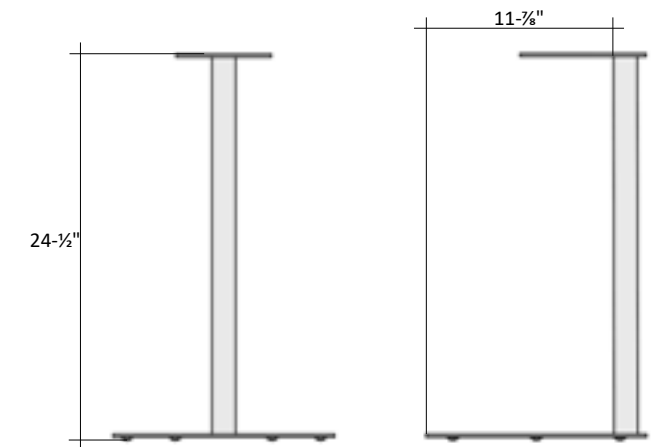


Front View

Side View



20" Maximum Diameter Round Table Top



Front View

Side View

pricing

Model Number	Table Top Size	Base Height	Base Size	Bases Included	Pricing
Round Table					
ML-LAPT-RND	20" round	24 1/4	14	1	\$1,025
Rectangular Table					
ML-LAPT-RECT	14" x 20" rectangle	24 1/4	15 1/2	1	\$1,025

- Includes leveling glides.
 - To order replace "???" with SV for Silver, BK for Black or WT for White finish.

torrey leg



details

- tables tops are sold separately
- built-in wire management through the leg
- heavy gauge steel construction
- powdercoat finish
- made in america

minimum and maximum table sizes



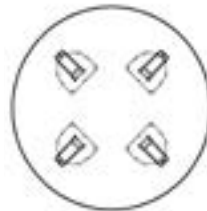
Minimum 26" Square Table Top



Minimum 32" Round Table Top

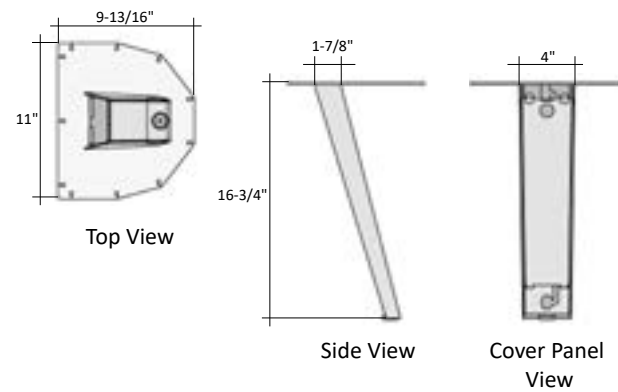


Maximum 48" Square Table Top



Maximum 60" Round Table Top

dimensions



pricing

Model Number	MAX Table Top Size	Leg Height	Leg Size	Legs Included	Standard	Premium
Occasional Height						
ML-TRAP-17-??	60" round or 48" square	16 3/4	4	1	\$314	\$344

- May only be used on round tables of 48" or less.
- Includes leveling glides.
- To order, replace "???" with MN for Midnight, HG for Heather Grey, FS for Fresh Snow, AS for Asphalt, BR for Barn Red, BO for Blood Orange, SN for Sunset, LY for Lemon Yellow, DM for Denim, DO for Deep Ocean, HU for Hunter and MO for Moss.

balboa



details

- HPL only
- concealed levelers
- hollow interior
- can accept electrical units

cylinder table



Model Number	Depth	Width	Height	HPL Only
SS-CYLT-1818	18	18	18	\$1,265
SS-CYLT-2424	24	24	18	\$1,321
SS-CYLT-2429	24	24	29	\$1,436

square table



Model Number	Depth	Width	Height	HPL Only
SS-CUBE-2020	20	20	18	\$1,275
SS-CUBE-2424	24	24	18	\$1,321
SS-CUBE-2429	24	24	29	\$1,436

doheny

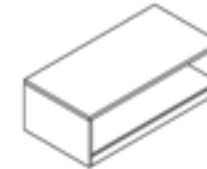


details

- constructed of all 3/4" material with 1-1/8" thick top
- front and back are open
- available with wood edges
- concealed levelers
- hollow interior
- can accept electrical units



occasional table coffee table



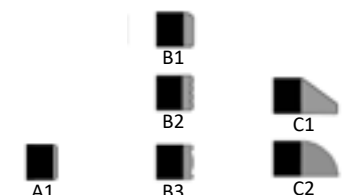
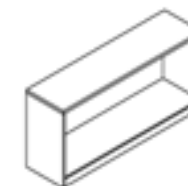
Model Number	Depth	Width	Height	A	B	C
SS-CTBL-2448-??	24	48	16	\$1,044	\$1,255	\$1,386

occasional table end table



Model Number	Depth	Width	Height	A	B	C
SS-ETBL-2424-??	24	24	18	\$993	\$1,204	\$1,331

occasional table sofa table



Model Number	Depth	Width	Height	A	B	C
SS-STBL-1660-??	16	60	29	\$1,143	\$1,347	\$1,469

solana



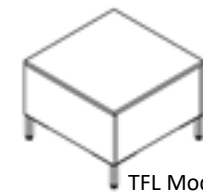
details

- constructed of all 3/4" material
- legs are 5" high
- levelers are 3/8" high
- TFL model has 2mm PVC edgebanding
- hollow interior
- can accept electrical units



cube table with legs

5" high steel legs



Model Number	Depth	Width	Height	TFL	HPL
SS-CUBL-2020-?	20	20	18	\$1,183	\$1,714
SS-CUBL-2424-?	24	24	18	\$1,279	\$1,765
SS-CUBL-2429-?	24	24	29	\$1,378	\$1,885

- Units have same legs as used in TeamWorx desking.
- TFL model has 2MM PVC edgebanding.
- Contact customer service for additional sizes.

storage

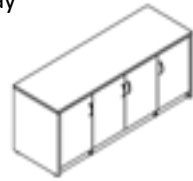
table of contents



Credenzas	168-170
Lecterns	171
Conference Board	171

Standard Height Media Credenza

4 Door - 3 Bay

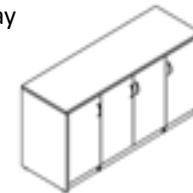


Model Number	Depth	Width	Height	A1	B1	C?
CF-MCRZ-1960-??	19	60	29	\$3,096	\$3,512	\$3,700
CF-MCRZ-1966-??	19	66	29	\$3,119	\$3,541	\$3,729
CF-MCRZ-1972-??	19	72	29	\$3,177	\$3,595	\$3,798
CF-MCRZ-1978-??	19	78	29	\$3,405	\$3,994	\$4,097
CF-MCRZ-2460-??	24	60	29	\$3,138	\$3,695	\$3,743
CF-MCRZ-2466-??	24	66	29	\$3,164	\$3,726	\$3,774
CF-MCRZ-2472-??	24	72	29	\$3,217	\$3,782	\$3,840
CF-MCRZ-2478-??	24	78	29	\$3,447	\$4,039	\$4,141

- Includes adjustable glides.
- 12" x 12" cut-out centered on back panel for wire access and venting.
- No wood edge on back.
- Lock NOT standard. For lock on doors per bay, add OP-LOCK-ADD for \$140. Three locks required for this unit.

Buffet Height Media Credenza

4 Door - 3 Bay

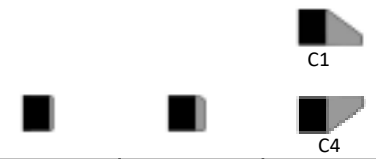
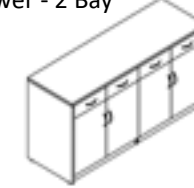


Model Number	Depth	Width	Height	A1	B1	C?
CF-BUFM-1960-??	19	60	36	\$3,518	\$4,083	\$4,131
CF-BUFM-1966-??	19	66	36	\$3,541	\$4,113	\$4,159
CF-BUFM-1972-??	19	72	36	\$3,598	\$4,171	\$4,228
CF-BUFM-1978-??	19	78	36	\$3,830	\$4,426	\$4,527
CF-BUFM-2460-??	24	60	36	\$3,560	\$4,128	\$4,175
CF-BUFM-2466-??	24	66	36	\$3,582	\$4,154	\$4,202
CF-BUFM-2472-??	24	72	36	\$3,640	\$4,213	\$4,271
CF-BUFM-2478-??	24	78	36	\$3,872	\$4,469	\$4,571

- Includes adjustable glides.
- 12" x 12" cut-out centered on back panel for wire access and venting.
- No wood edge on back.
- Lock NOT standard. For lock on doors per bay, add OP-LOCK-ADD for \$140. Three locks required for this unit.

Buffet Height Credenza with Drawers

4 Door/4 Drawer - 2 Bay

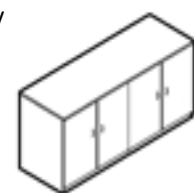


Model Number	Depth	Width	Height	A1	B1	C?
CF-BCRZ-1936-??	19	36	36	\$2,300	\$2,671	\$2,705
CF-BCRZ-1966-??	19	66	36	\$4,001	\$4,585	\$4,632
CF-BCRZ-1972-??	19	72	36	\$4,059	\$4,645	\$4,701
CF-BCRZ-1978-??	19	78	36	\$4,294	\$4,902	\$5,005
CF-BCRZ-2436-??	24	36	36	\$2,358	\$2,694	\$2,728
CF-BCRZ-2466-??	24	66	36	\$4,043	\$4,628	\$4,675
CF-BCRZ-2472-??	24	72	36	\$4,099	\$4,643	\$4,728
CF-BCRZ-2478-??	24	78	36	\$4,336	\$4,656	\$4,762

- Includes adjustable glides.
- No wood edge on back.
- Lock NOT standard. For lock on doors per bay, add OP-LOCK-ADD for \$140. Two locks required for this unit.
- Drawers do not lock.

Buffet Height Credenza

4 Door - 2 Bay

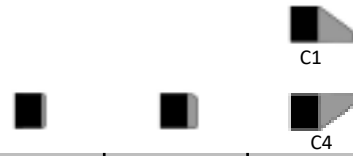
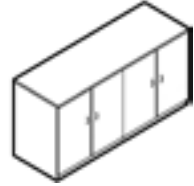


Model Number	Depth	Width	Height	A1	B1	C?
CF-BUFC-1960-??	19	60	36	\$3,203	\$3,761	\$3,806
CF-BUFC-1966-??	19	66	36	\$3,223	\$3,790	\$3,837
CF-BUFC-1972-??	19	72	36	\$3,281	\$3,846	\$3,906
CF-BUFC-1978-??	19	78	36	\$3,513	\$4,102	\$4,207
CF-BUFC-2460-??	24	60	36	\$3,246	\$3,803	\$3,850
CF-BUFC-2466-??	24	66	36	\$3,265	\$3,833	\$3,880
CF-BUFC-2472-??	24	72	36	\$3,322	\$3,888	\$3,948
CF-BUFC-2478-??	24	78	36	\$3,555	\$4,146	\$4,250

- Includes adjustable glides.
- No wood edge on back.
- Lock NOT standard. For lock on doors per bay, add OP-LOCK-ADD for \$140. Two locks required for this unit.

Standard Height Credenza

4 Door - 2 Bay



Model Number	Depth	Width	Height	A1	B1	C?
CF-STDB-1960-??	19	60	29	\$2,778	\$3,332	\$3,378
CF-STDB-1966-??	19	66	29	\$2,803	\$3,359	\$3,406
CF-STDB-1972-??	19	72	29	\$2,857	\$3,418	\$3,476
CF-STDB-1978-??	19	78	29	\$3,086	\$3,675	\$3,776
CF-STDB-2460-??	24	60	29	\$2,821	\$3,375	\$3,421
CF-STDB-2466-??	24	66	29	\$2,845	\$3,402	\$3,448
CF-STDB-2472-??	24	72	29	\$2,900	\$3,463	\$3,518
CF-STDB-2478-??	24	78	29	\$3,132	\$3,718	\$3,819

- Includes adjustable glides.
- No wood edge on back.
- Lock NOT standard. For lock on doors per bay, add OP-LOCK-ADD for \$140. Two locks required for this unit.

Lectern

Angled Worksurface



Model Number	Depth	Width	Height	Price
CF-LTN1-2437	25	24	37-43	\$1,667

- All 3/4" material.
- Standard with casters.
- Includes grommet in worksurface with pass-thru grommets on middle shelf and bottom for wiring.
- Add OP-LCTN-DOOR for \$344 to add two 28" high doors.

Lectern

Flat Worksurface and Keyboard Tray

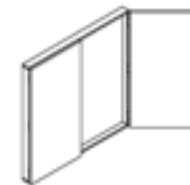


Model Number	Depth	Width	Height	Price
CF-LTN2-2437	25	24	37-43	\$1,941

- All 3/4" material.
- Standard with casters and keyboard tray.
- Flat worksurface is at 38" high.
- Includes grommet in worksurface with pass-thru grommets on middle shelf and bottom for wiring.
- Add OP-LCTN-DOOR for \$344 to add two 28" high doors.

Conference Board

2 Door



Model Number	Depth	Width	Height	Price
CF-MDCB-3636	6	36	36	\$2,354
CF-MDCB-4848	6	48	48	\$2,634

- All 3/4" material.
- Standard with laminate on inside of doors. Add OP-CONF-WTDR for \$688 to add white board to both doors.
- Use with special dry-erase markers. Markers not included.
- Full-face (outset) doors.

Please visit [Deskmakers.com](https://deskmakers.com) to view our current [Terms and Conditions](#).

Please visit [Deskmakers.com](https://deskmakers.com) to view our current [Warranty](#).

Showroom Locations

Los Angeles

DeskMakers Headquarters
6525 Flotilla Street
Commerce, CA 90040

DeskMakers

Phone: 323.264.2260 | Fax: 323.725.6960
www.deskmakers.com