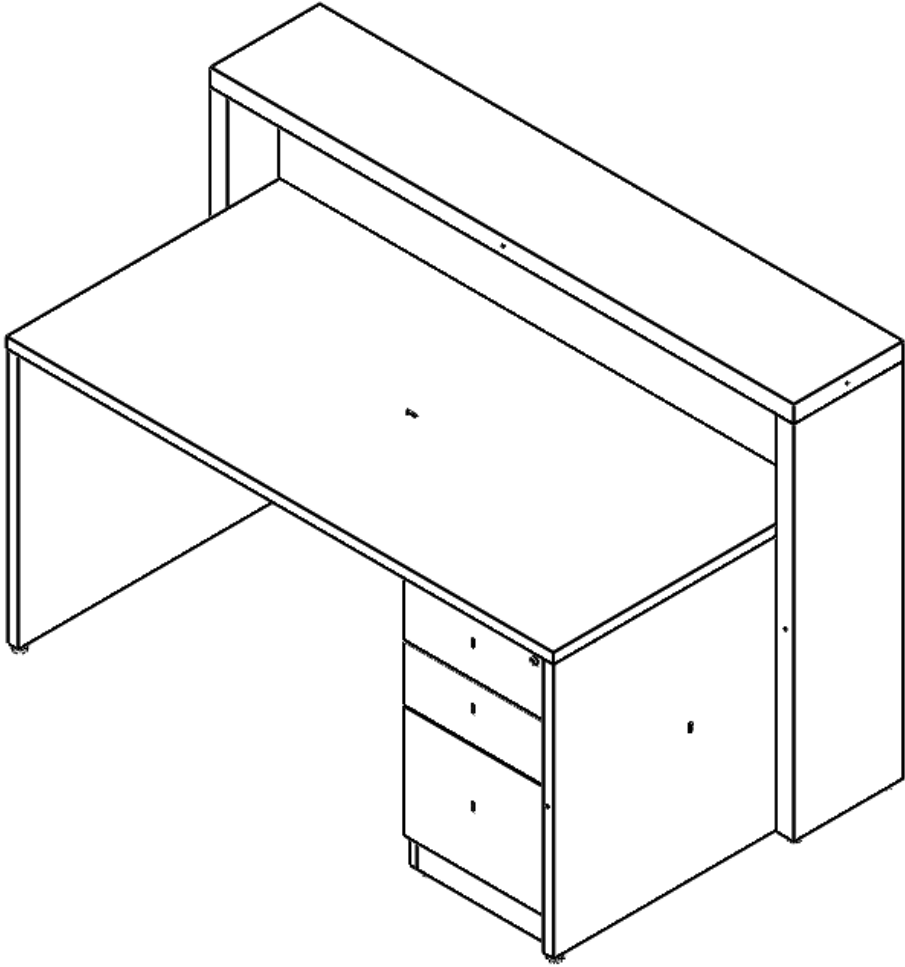
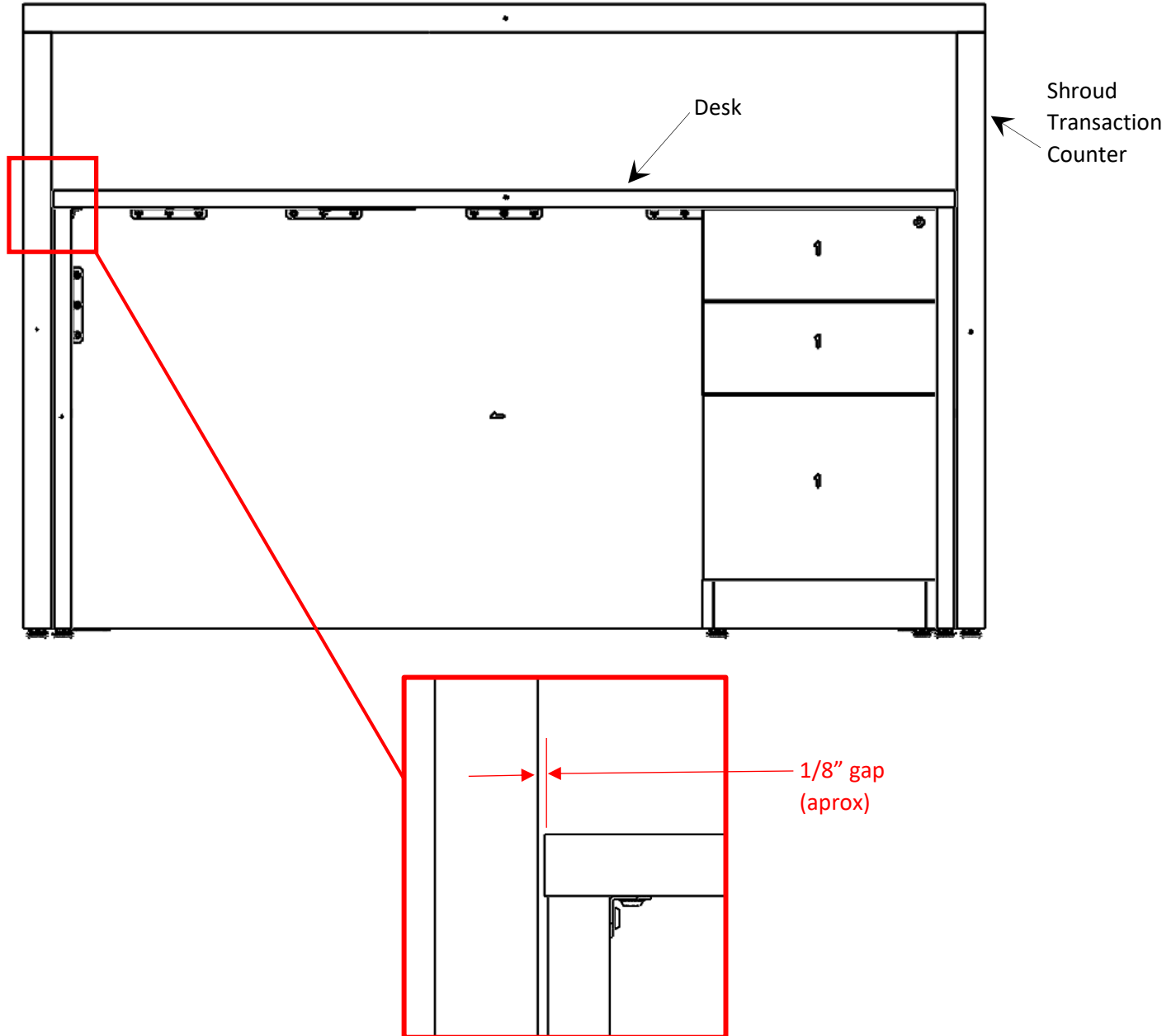

SHROUD TRANSACTION COUNTER
INSTALLATION INSTRUCTIONS



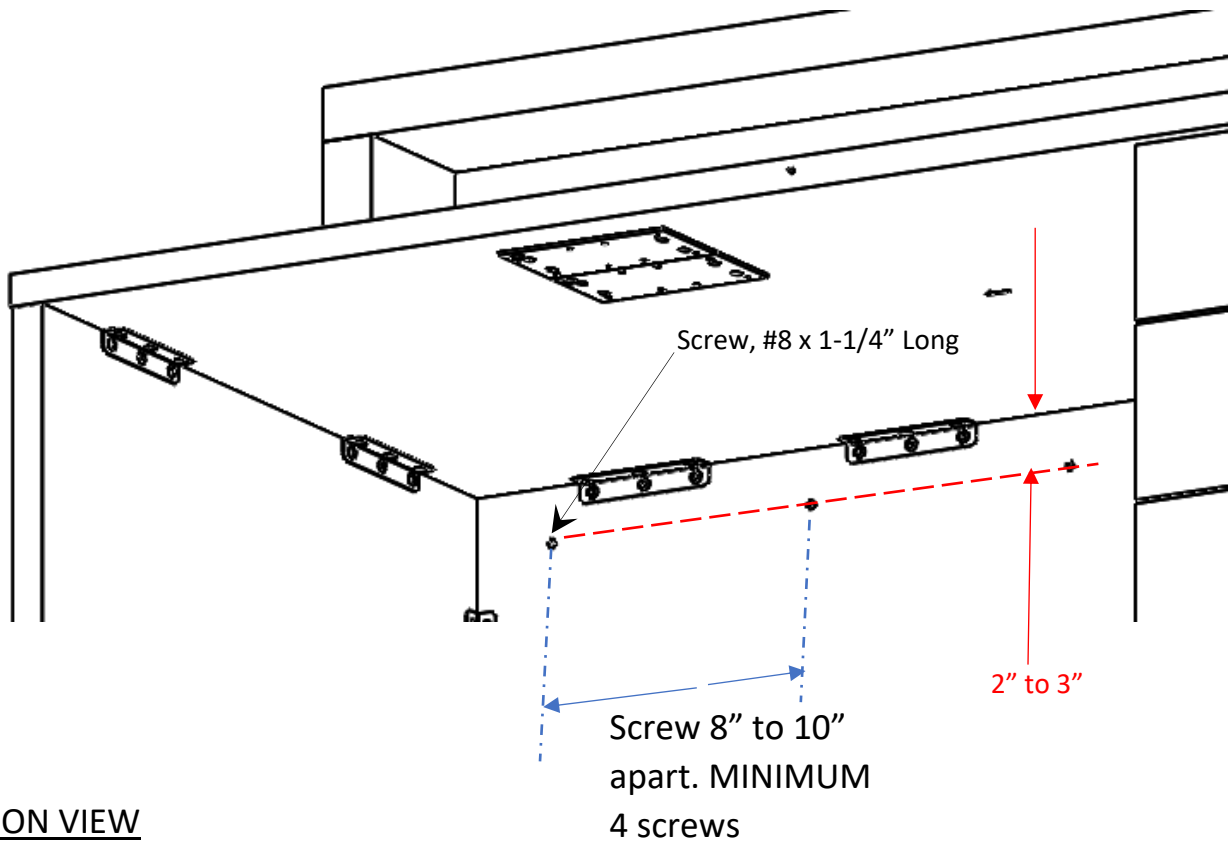
INSTALLATION INSTRUCTIONS

Position Shroud Transaction Counter centered to the Reception Desk



INSTALLATION INSTRUCTIONS

2 Secure Shroud Transaction Counter with Screws (#8 x 1-1/4" Long Flat Head Screws) as shown below.



SECTION VIEW

