



Avalon

PRICE & SPECIFICATION GUIDE

Version: 03.15.24
prices effective April 1, 2024

DeskMakers

revisions

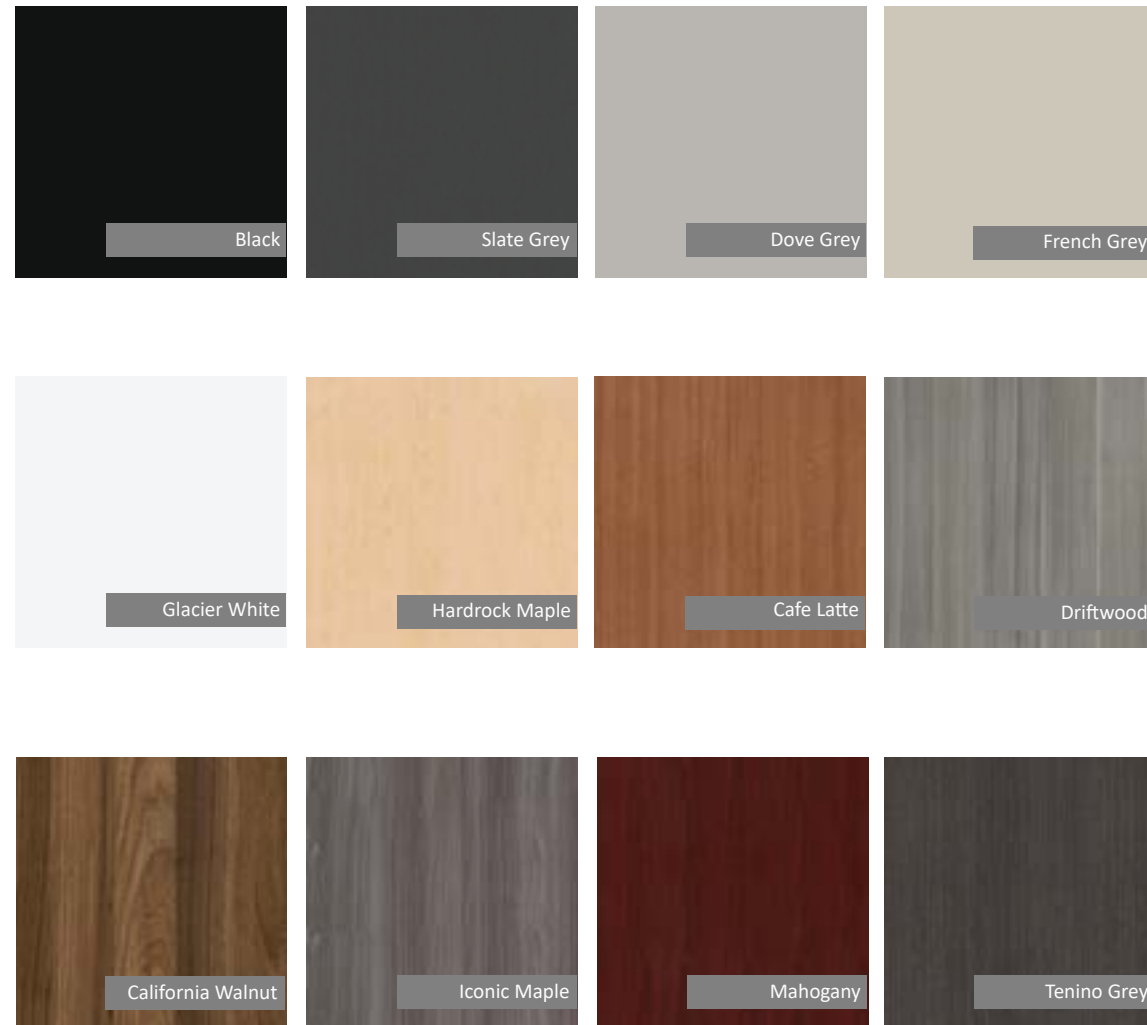
06/06/22	Product Launch
08/18/22	Added surcharge note, updated TFL sizes
12/01/22	Updated pricing
04/17/23	Swapped Digital Locks for Analog Combination Locks on Storage
08/21/23	Updated Finishes, Re-placed Digital Locks
03/15/24	Updated pricing

table of contents

Laminates	4-6
Pulls	7
Product Details	8-21
Shells	22-23
Stretchers	24
ADA Add-on	25
Storage	26-29
Terms and conditions	30
Warranty	31

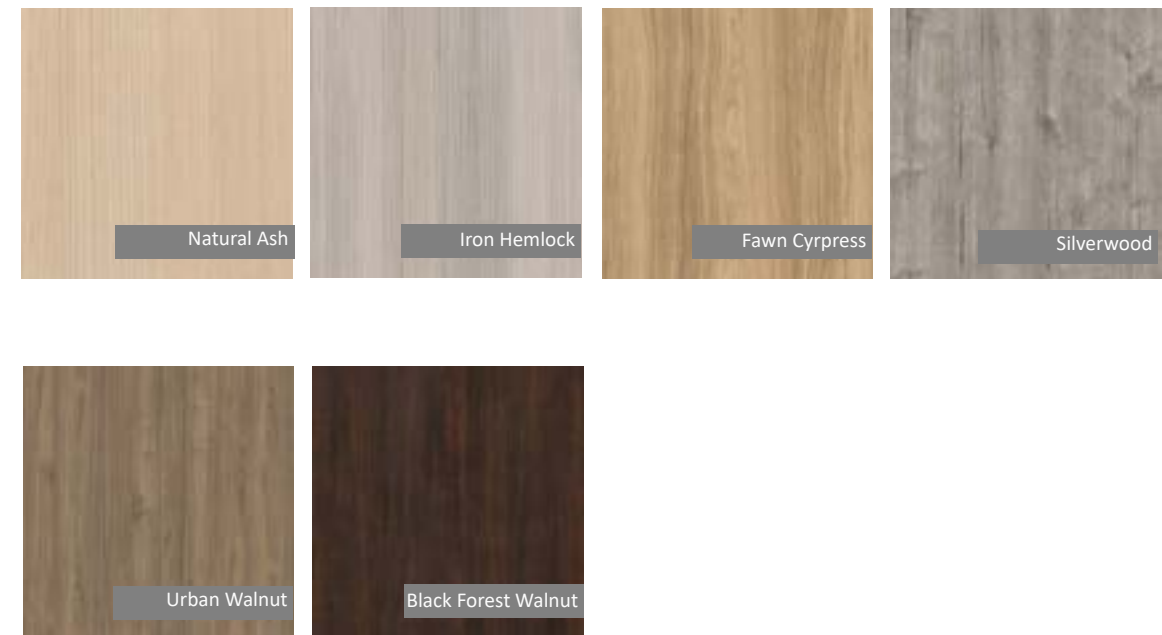
laminates finishes

standard thermofuse laminate (TFL)



Matching 2MM PVC edgebanding is available for all Standard TFL finishes shown here.
For HPL match information please visit deskmakers.com/resources/materials

premium thermofuse laminate (TFL)



Premium TFLs require a 10% upcharge. Add item code OP-TTFL-1.
Matching 2MM PVC edgebanding is available for all Premium TFL finishes shown here.
For HPL match information please visit deskmakers.com/resources/materials

laminates finishes

high pressure laminate (HPL)

Pricing shown in this price list applies only to non-premium HPLs as follows:

- Wilsonart: Solids, Woodgrains, and Abstracts in Matte (-60) finish,
- Formica: Color Portfolio, Woodgrains, and Patterns in Matte (-58) finish
- Pionite: Solids, Woodgrains, and Abstracts in Suede (N) finish
- Arborite: Solids, Woodgrains, Textures and Abstracts in Matte (CA) finish
- Nevamar: Solids, Woodgrains, Stones and Abstracts in ARP (-T) finish

A minimum charge of \$520 net per HPL color will be applied to each order.

Call customer service for pricing for all other HPLs.

Additional lead times required for HPL orders depending on material availability and order complexity.

high pressure laminate (HPL) pricing chart

Most DeskMakers product is made of Thermofuse laminate (TFL). As such, there is an upcharge for ordering product in high pressure laminate (HPL). This upcharge varies based on the product and the size of the HPL order.

Please note that only the portion of the order in HPL will be calculated to determine the level of HPL upcharges.

HPL is always available with DeskMakers standard 2MM edgebanding. Special order matching PVC 2MM edgebanding may be available for orders \$25,000 List or larger, call customer service for pricing.

Product Category	Option Code	HPL UPCHARGE
CASEGOODS Entire Unit HPL	OP-HPL1-4-??	120%
CASEGOODS HPL Drawer Fronts only	OP-HPL1-2-??	20%

pulls

standard pulls

Pulls are included on all drawers and cabinet doors for no upcharge.



101SN



101BL



105SN



115SN



115BL



201SN



125SN*



125BL*



201BL

*The 125SN/BL pull is 7.5" long. On lateral file drawers and larger cabinet doors a longer 12.5" pull in the same style will be used. This may be identified as a "127SN/BL" pull on your acknowledgment.

analog locks

keyed lock



details

- 2 keys per lock
- Can "key alike" with other DeskMakers laminate furniture. Use code AC-LOCK-101 to -200 for \$22 List each to specify key number
- To order Master Key use AC-LOCK-MSTR for \$140 List.

combination lock

Combination locks are priced as a standard option for all locker storage units and can be added to any door storage unit using AC-LOCK-COM1-SV for \$317 List per lock.



- All metal housing
- Vertical body style
- Operates with a 4-Digit User Code
- Default configuration is multi-user mode - code resets after each use. Assigned user locks available contact customer service
- Cores keyed alike per site
- Two year warranty
- Manager's Key - serves as master key, needed to reset locks with lost combinations. AC-LOCK-COM1-MKEY \$18.*
- Core Removal Key - used to change out a core. AC-LOCK-COM1-RKEY \$30
- User Key - used to operate a lock instead of using the combination dials. AC-LOCK-COM1-UKEY \$2
- Code Retrieval Tool - used with Manager's Key to reset a lock with a lost combination. AC-LOCK-COM1-TOOL \$59*



ADA Version - \$347 List
AC-LOCK-COM1-ADA



Manager Key and Code Retrieval Tool

* At least 1 Manager's Key and 1 Code Retrieval Tool required per project.

digital lock

digital lock



details

- brushed nickel finish
- black keypad with numbers
- vertical body orientation
- all metal lock housing
- manual dead bolt (turn knob)
- operated with user selected 4-digit code
- shared use application
- override and power bypass
- visual and audible indicator
- powered by 2 lithium CR2450 batteries, battery life is 180,000 cycles with average use

To specify in place of a key lock on any cabinet door, add AC-LOCK-DIG1-SLV for \$480 list. Digilocks are included as a standard option on Avalon lockers - see pricing on pages 8-15.



programming key

- (1) programming key is required for each installation
- initializes new locks
- registers manager bypass key
- overrides user access
- allows management audit/inspection
- provides external power

To specify, add AC-LOCK-VRSA-PKEY for \$194 list.



manager key

- minimum (1) manager key is required for each installation, multiple manager keys may be used
- assigns access credential(s)
- overrides user access (in assigned use functionality)
- allows management audit/inspection
- provides external power

To specify, add AC-LOCK-VRSA-MKEY for \$138 list.

ADA options

US Access Board requires 5% of all locks to be ADA compliant.



ADA compliant knob

Allows door to be opened with one hand and does not require tight grasping, pinching or twisting of the wrist.

To promote universal access, DeskMakers provides the ADA knob by default at no additional charge unless otherwise specified.



user key

Allows user to operate the lock without using a user code. One key per locker.

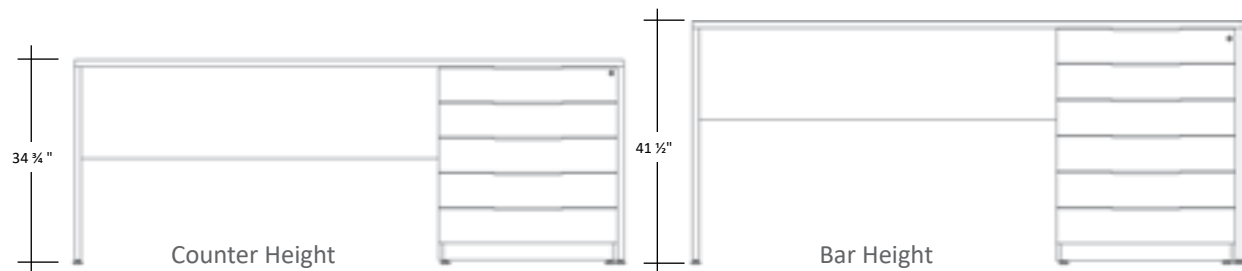
To specify, add AC-LOCK-VRSA-UKEY for \$64 list.

grade 1

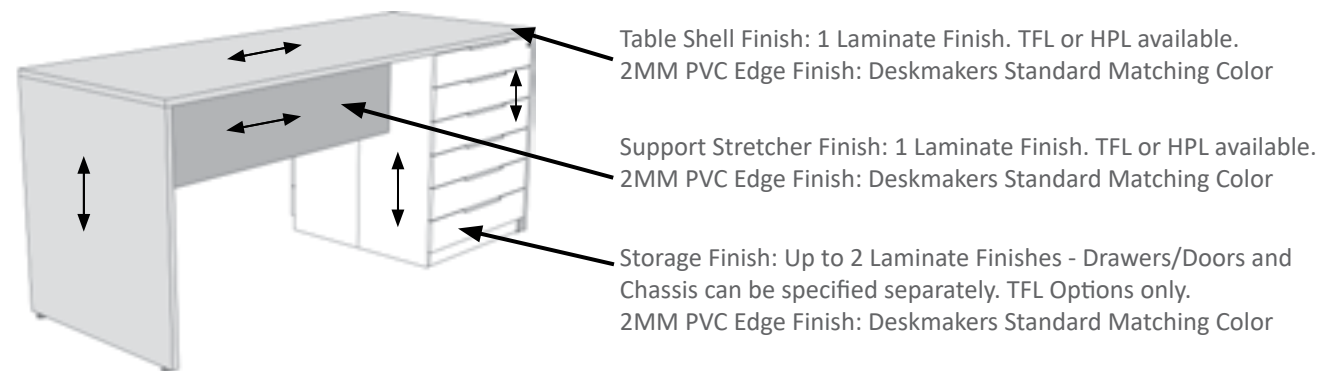


details

- Available in 2 depths, 2 heights, and 2 lengths. No custom sizes available.
- All 1-1/8" thick panels in TFL or HPL with Deskmakers standard 2MM PVC edge banding.
- Top over end panel construction.
- 16" high dual stretchers available.
- Adjustable levelers.
- Ships unassembled.



finishes and grain direction

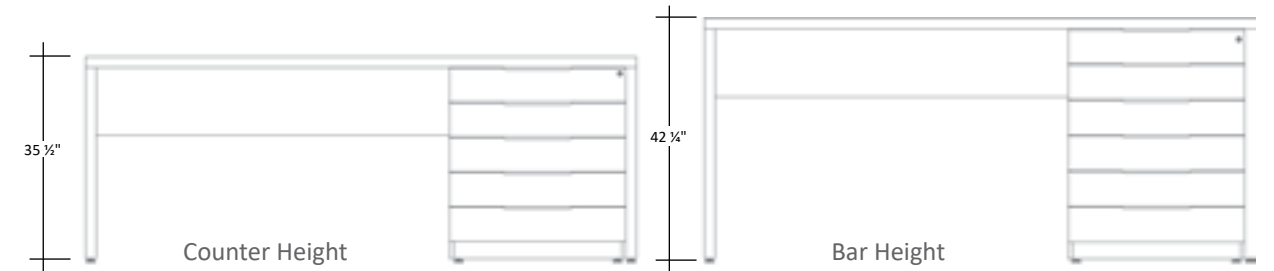


grade 2

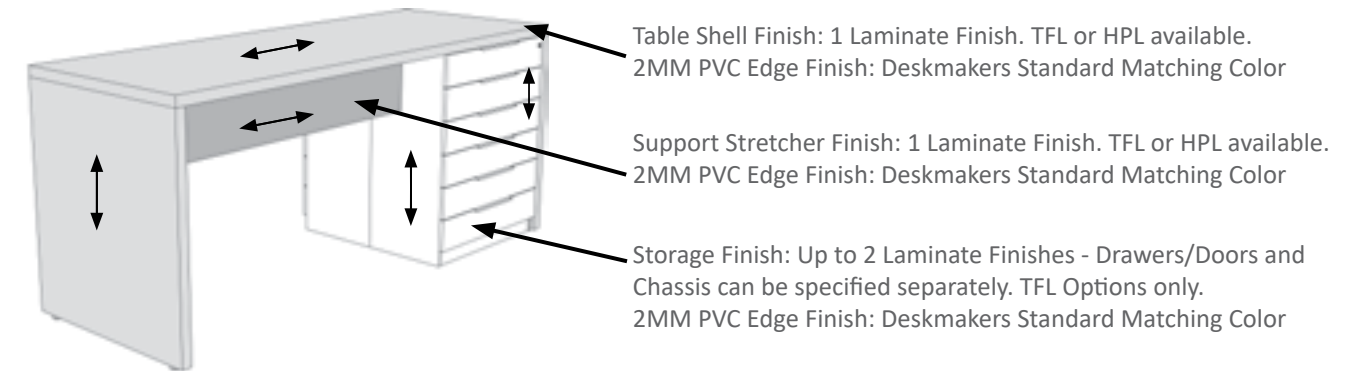


details

- Available in 2 depths, 2 heights, and 2 lengths. No custom sizes available.
- 1-7/8" thick top and end panels in TFL or HPL with Deskmakers standard 2MM PVC edge banding.
- Top over end panel construction.
- 12" high dual stretchers available.
- Adjustable levelers.
- Ships unassembled.
- Tables over 96" available in Southern California and/or will call only.

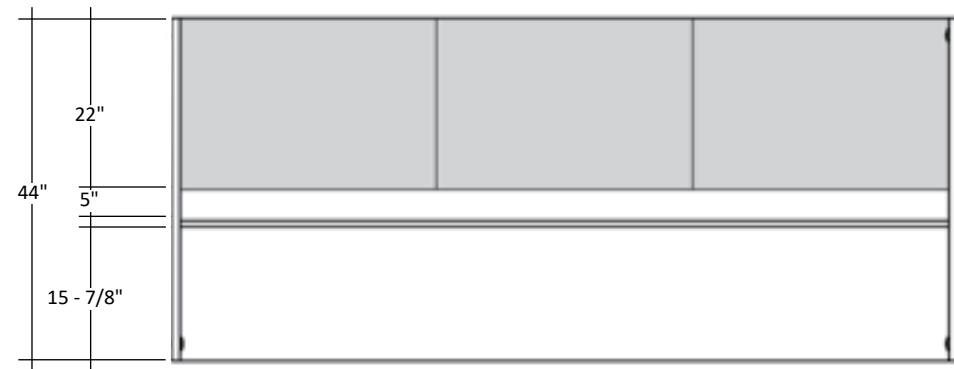
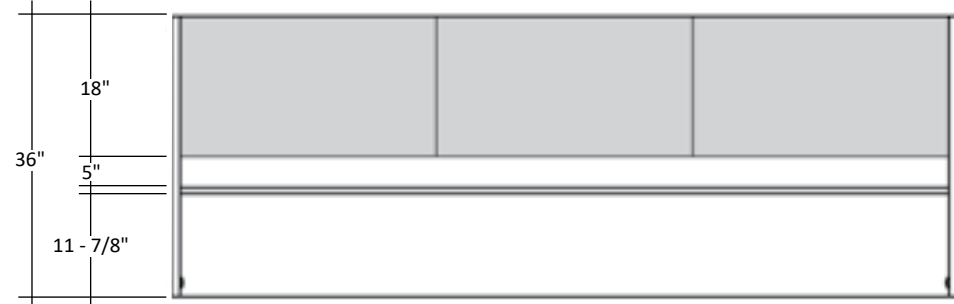


finishes and grain direction

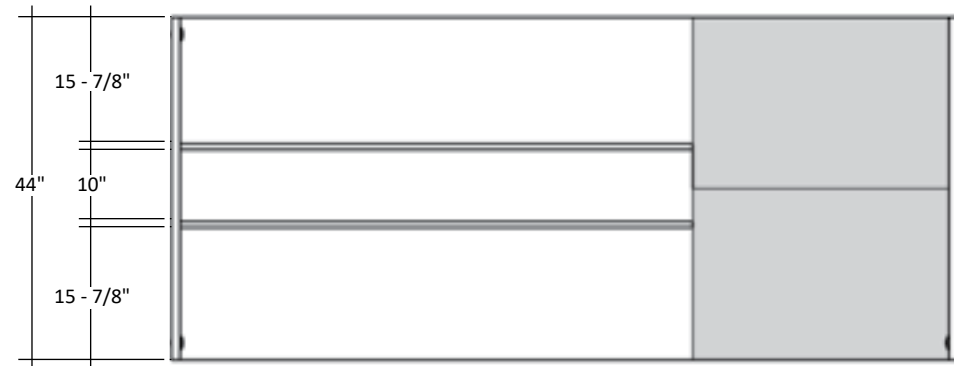


clear knee space

single sided parsons tables



double sided parsons tables



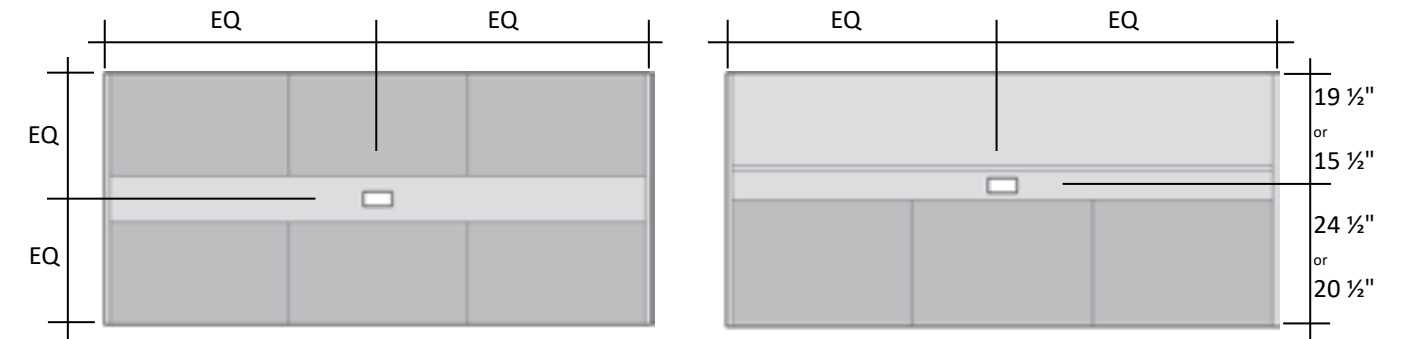
grommet locations

grommet placement:

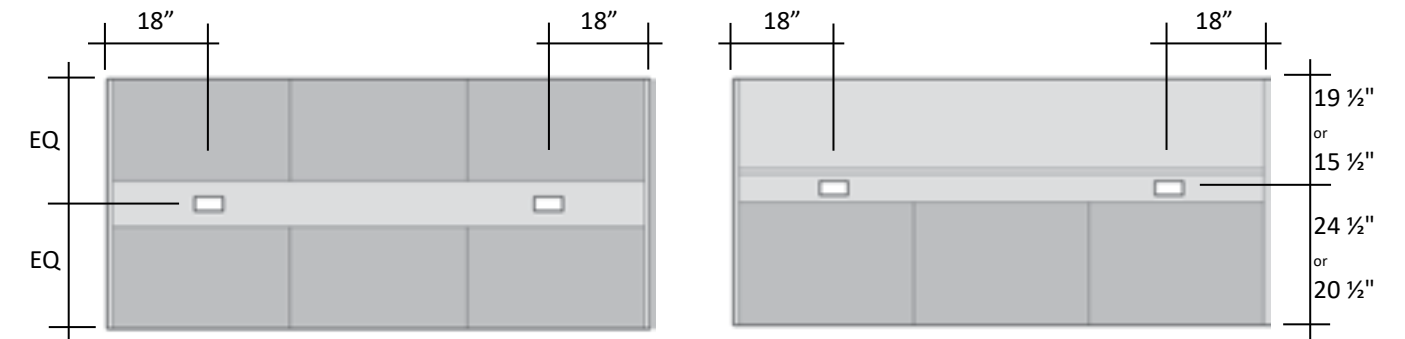
Double sided tables have grommets located centered on depth of table top.
Grommets located 5" closer to seating side on single sided tables.

All dimensions are to the center of grommet cutout. Completely concealed wire management only offered on double sided tables using 18" deep storage under 44" deep tables. Power units other than those recommended in this price list may not be compatible. Please check with Design Department.

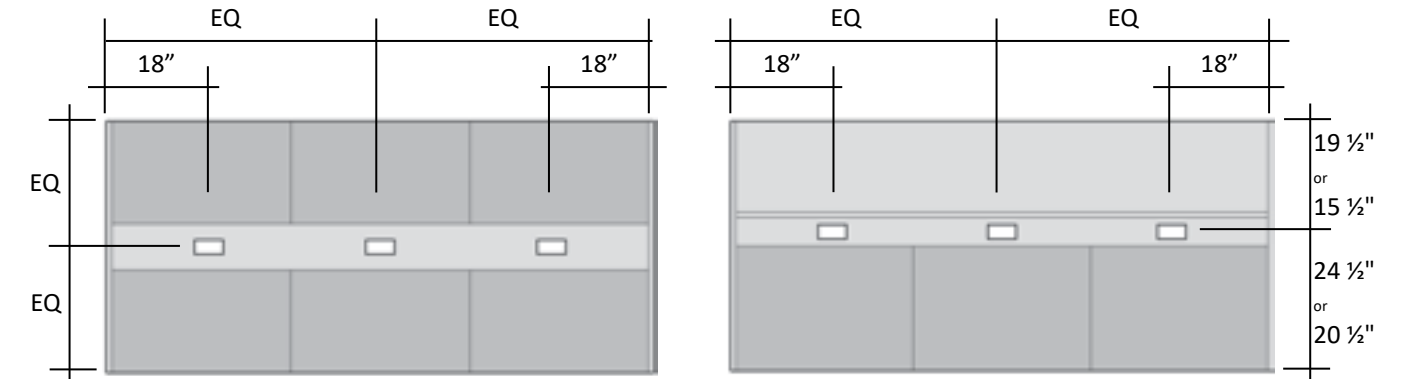
center grommet placement- "CH"



end left and end right grommet placement - "DH"



center and end grommet placement* - "TH"

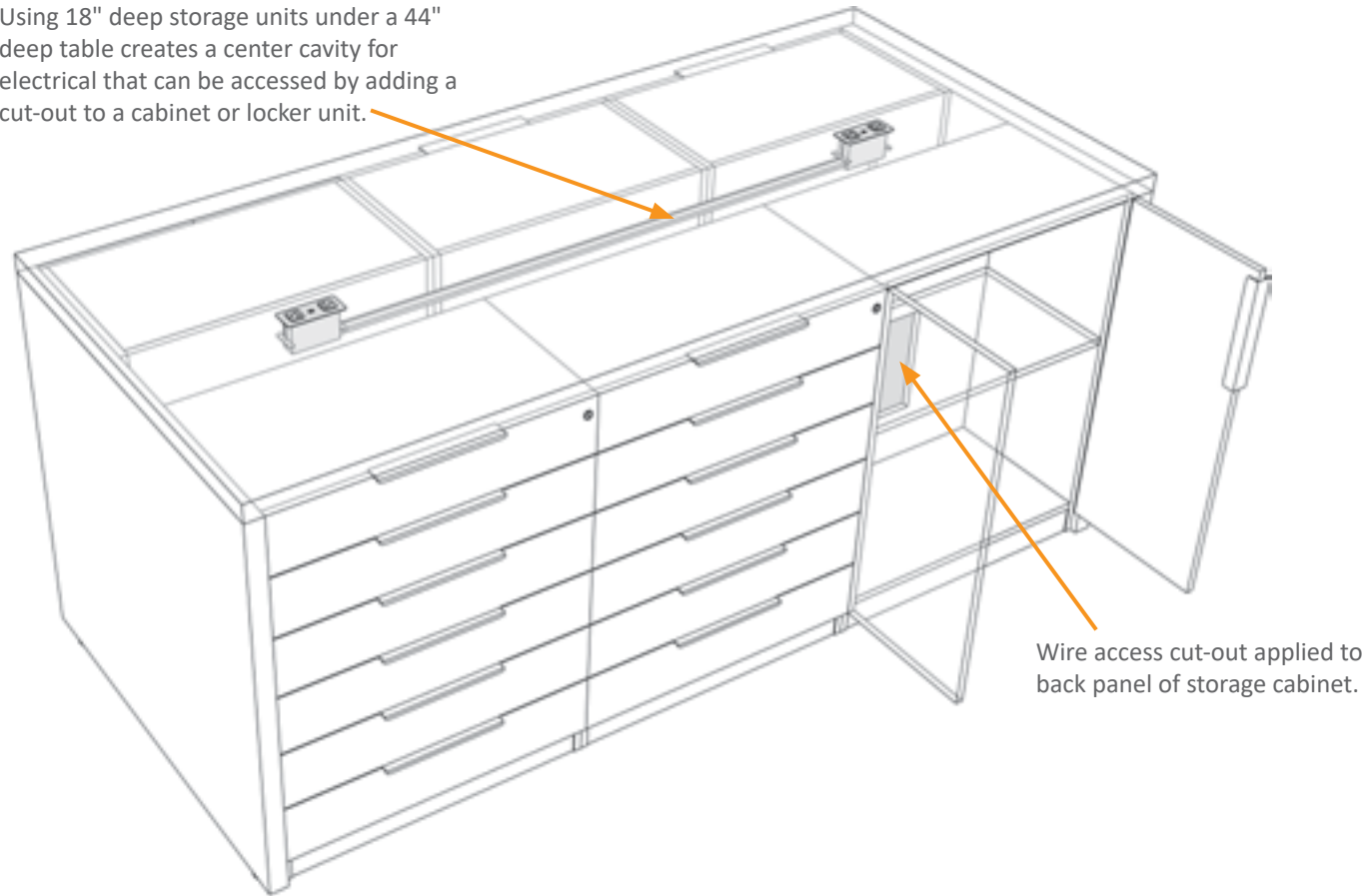


*For 3-bay tables only

For specific information and pricing on grommets please see the Electrical Pricebook.

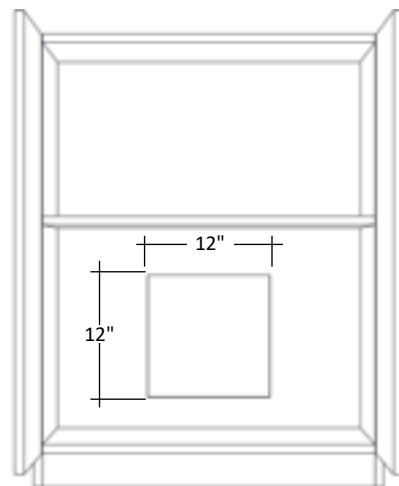
wire management

Using 18" deep storage units under a 44" deep table creates a center cavity for electrical that can be accessed by adding a cut-out to a cabinet or locker unit.



Wire access cut-out applied to back panel of storage cabinet.

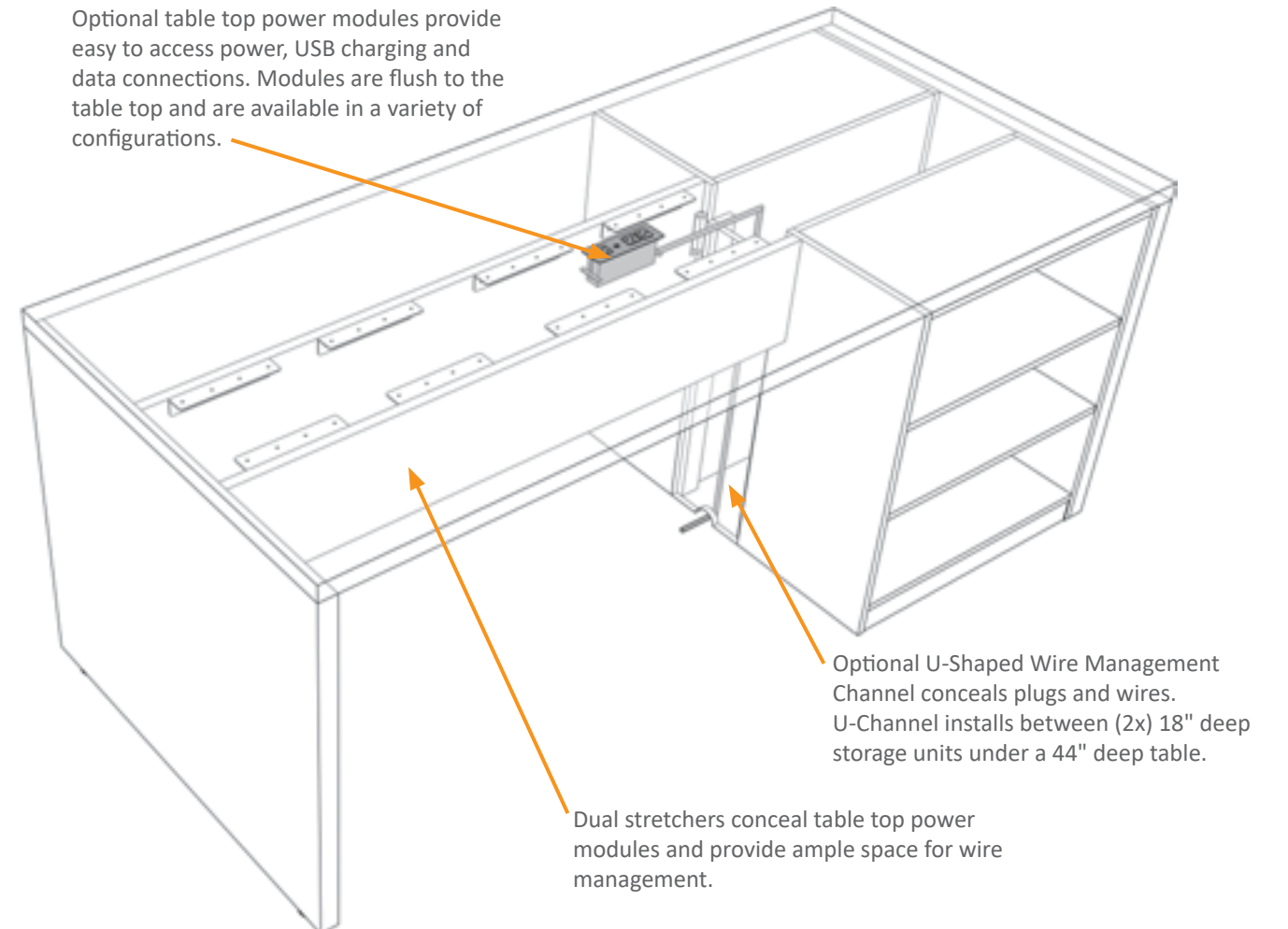
wire access cut-out



Wire access cut-out will not be edgebanded and only offered on units with doors. Wire access cut-out specified using sku OP-CUT1-12 for \$356 (each cut-out). For orders with multiple styles of door storage, indicate which storage should receive cut-out.

wire management

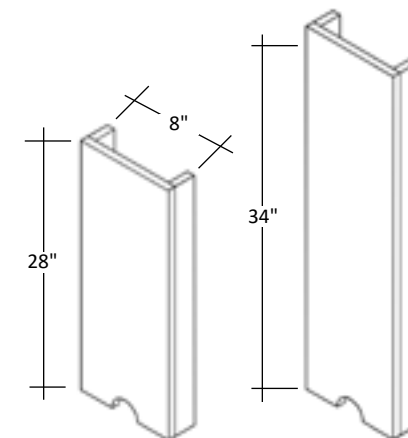
Optional table top power modules provide easy to access power, USB charging and data connections. Modules are flush to the table top and are available in a variety of configurations.



Dual stretchers conceal table top power modules and provide ample space for wire management.

Optional U-Shaped Wire Management Channel conceals plugs and wires. U-Channel installs between (2x) 18" deep storage units under a 44" deep table.

u-shaped wire management channel



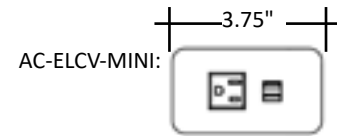
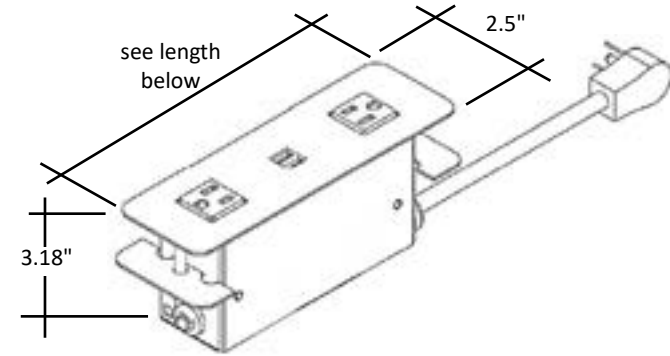
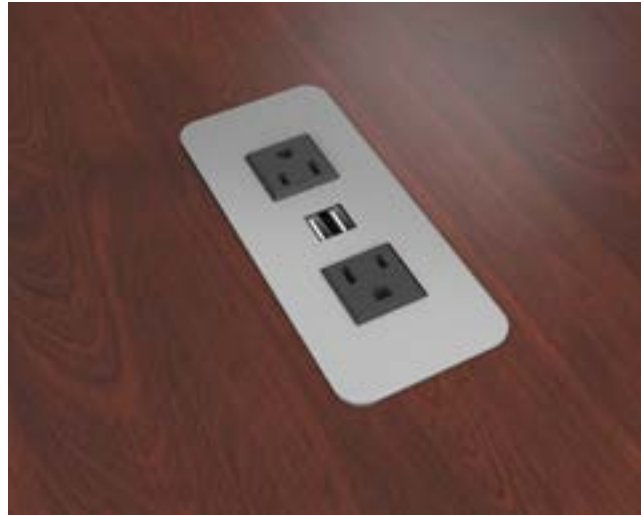
Wire management u-channels offered in two sizes corresponding with counter and bar height tables. U-channel can be used for grade 1 and grade 2 tables.

PS-UCHN-C for \$386
PS-UCHN-B for \$415

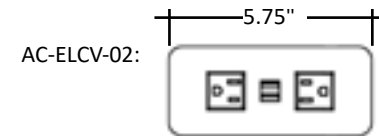
Avalon

Surface Mounted Power and USB Unit

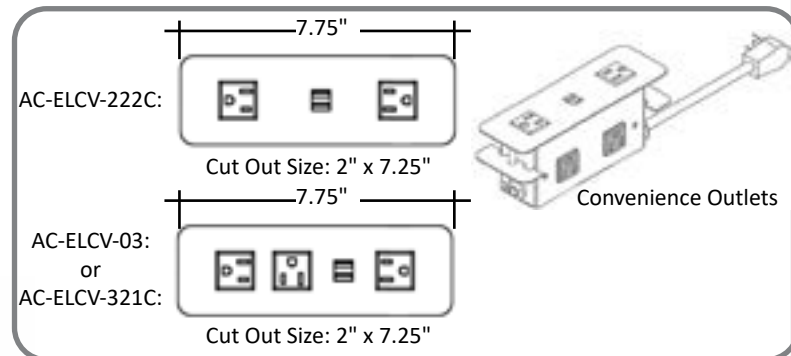
AC-ELCV-MINI, AC-ELCV-02, AC-ELCV-222C, AC-ELCV-03, AC-ELCV-321C, AC-ELCV-04
See Electrical Pricebook for pricing



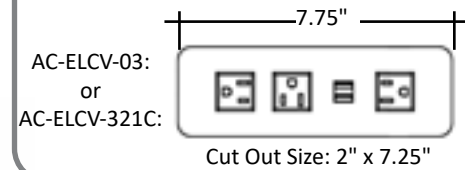
Cut Out Size: 1.9" x 3.27"



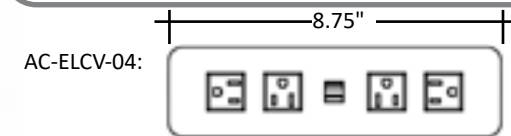
Cut Out Size: 2" x 5.25"



Cut Out Size: 2" x 7.25"



Cut Out Size: 2" x 7.25"



Cut Out Size: 2" x 8.25"

Rectangle Grommet Retrofit



AC-ELCV-MINI is able to fit into the cutout for AC-GROM-35. This allows power to be added a later date.

Specifications

- Multiple configurations available
- Spill resistant power outlets
- (2) 2.1A USB charging ports
- (1) 108" long 15amp plug cord
- Convenience outlets available on select sizes
- Tension mount
- Available finishes: Black, Silver (shown) and White

For Use With:

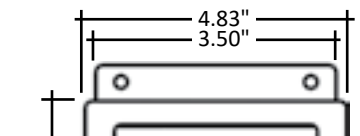
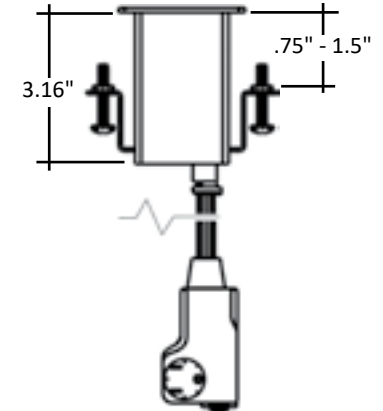
- Conference Tables
- Training Tables
- Parsons Tables
- TeamWorx Worksurfaces
- Hover Worksurfaces



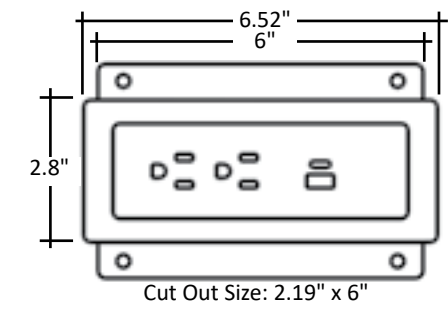
Avalon

Surface Mounted Power and USB-C Unit

AC-ELAS-IS12, AC-ELAS-IS22, AC-ELAS-IS32, AC-ELAS-IS42
See Electrical Pricebook for pricing



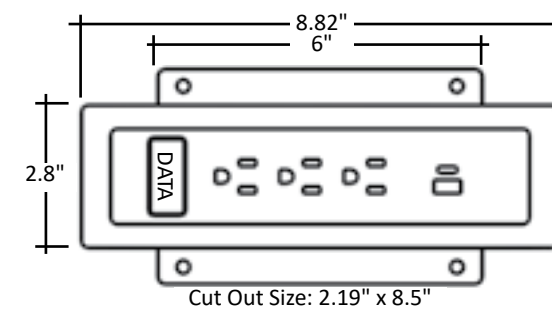
Cut Out Size: 2.12" x 4.45"



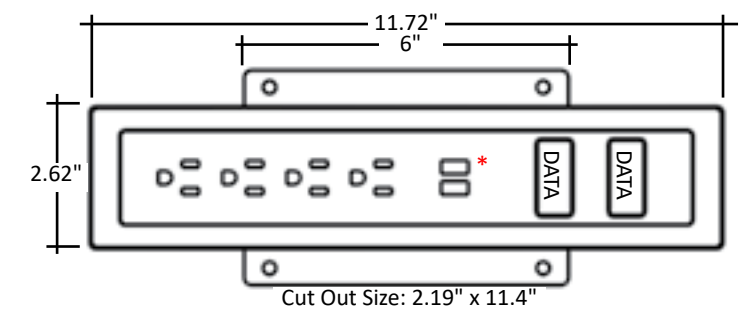
Cut Out Size: 2.19" x 6"

Specifications

- Multiple configurations available
- Spill resistant power outlets (all sizes)
- (1) 2.1A USB charging port (all sizes)
- (1) USB-C 60W charging port (3 sizes)
- 3 and 4 outlet units also include data jack slot(s)
- Bezel frame mount
- (1) 120" 15 amp plug cord
- Available finishes: Black, Silver and White (shown)



Cut Out Size: 2.19" x 8.5"



Cut Out Size: 2.19" x 11.4"

*4 Outlet Size Not Available w/ USB C at this time.

See Page 40 of Electrical Pricebook for additional data jack options. Blank, RJ45, HDMI and VGA tech adaptors are provided.

Round Surface Mounted Grommets

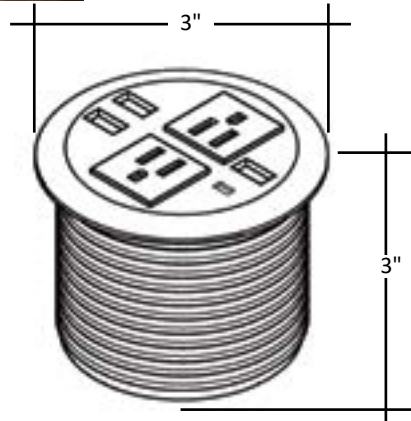
AC-PWRG-06, AC-PWRG-02

See Electrical Pricebook for pricing



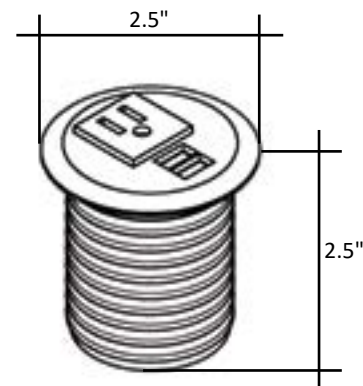
Specifications

- Round 3" grommet hole
- (2) Spill resistant power outlets
- (3) 2.1A USB charging ports
- (1) USB-C charging port
- (1) 72" long 15amp plug cord
- (1) Convenience outlet underneath unit
- Mounting Ring
- Available finishes: Black, and White



Specifications

- Round 2-2.5" grommet hole
- (1) Spill resistant power outlets
- (2) 2.1A USB charging ports
- (1) 84" long 15amp plug cord
- Mounting Ring
- Available finishes: Black, Silver and White



Cordless Charging Unit

AC-ELAC-QI

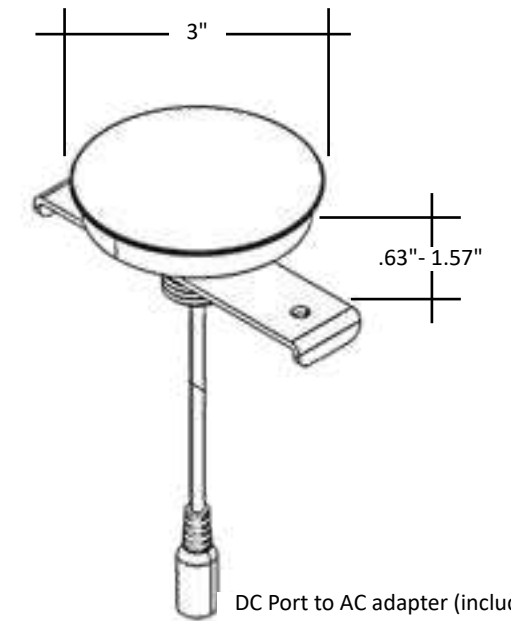
See Electrical Pricebook for pricing



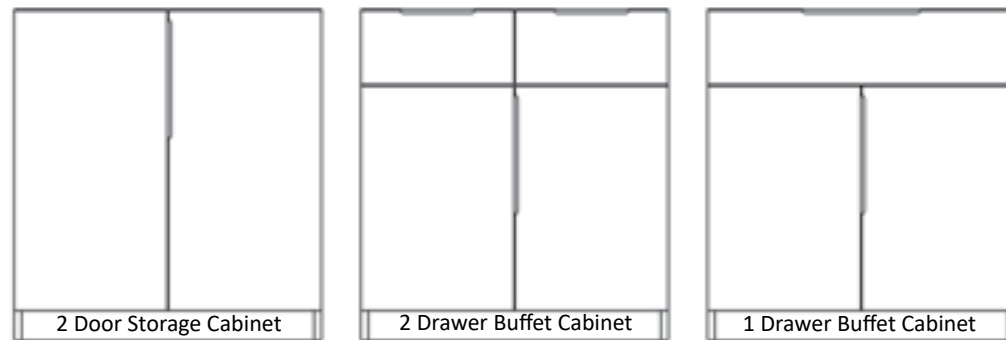
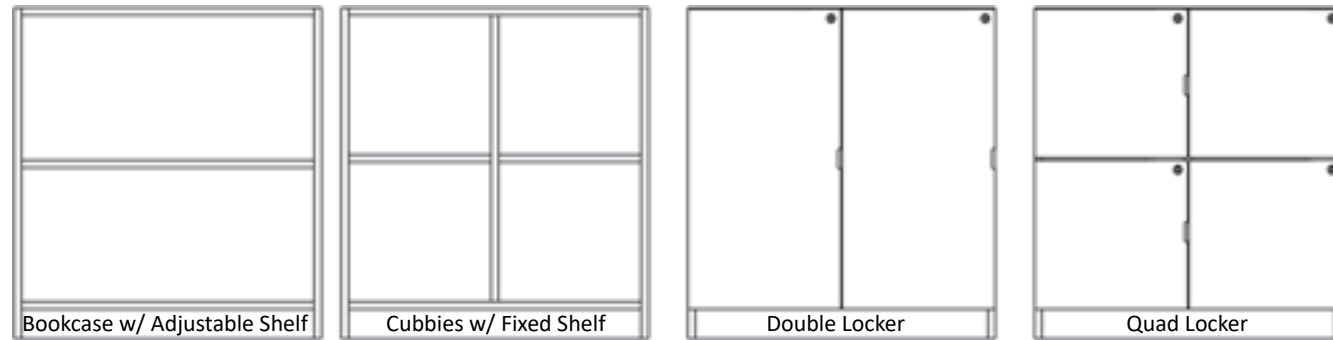
Specifications

- Cordless charging capability
- 10W Qi fast charge compatible with Samsung and Apple*
- Fits into standard 2.5" grommet cutout
- (1) 78" long 15amp cord with DC end/AC Adaptor
- Steel mounting plate
- Black faux leather soft-touch finish

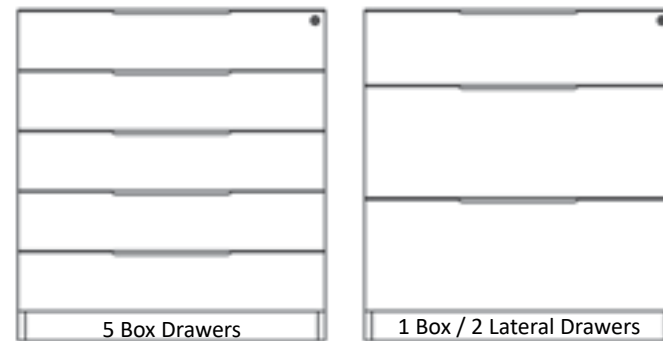
*For complete list of compatible devices, contact customer service.



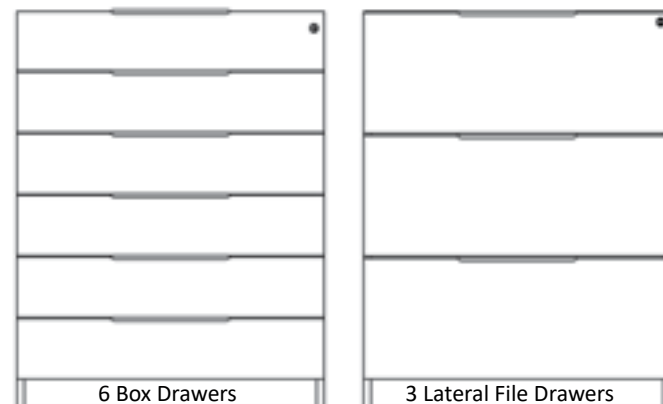
open, locker, and cabinet storage - available for both heights



drawer storage - available for counter height only



cabinet storage - available for bar height only

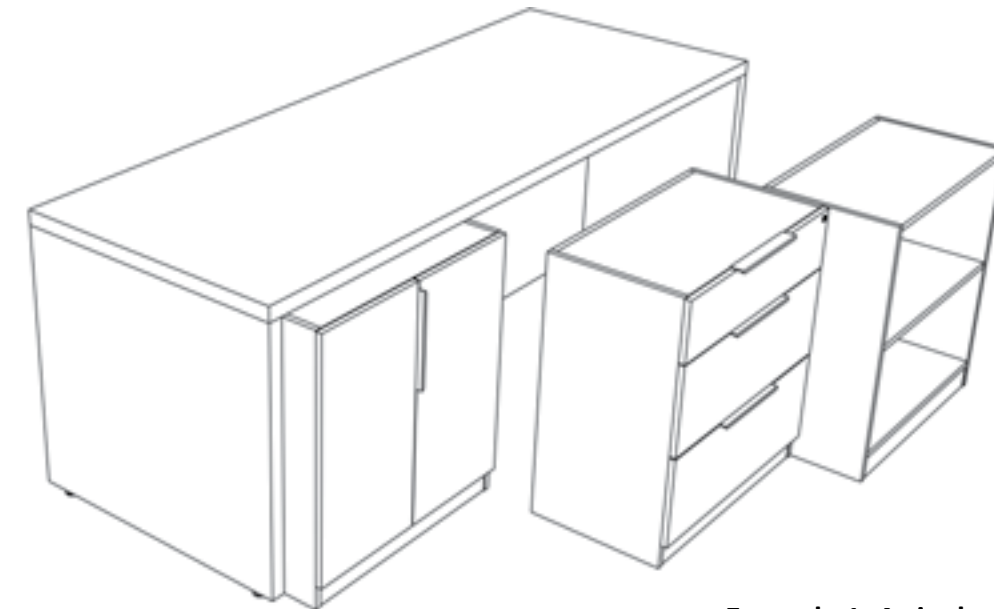


- All cabinets with left and right models are shown as left models.

How to Specify

Avalon is available in 2 heights, 2 widths, and 2 lengths. The lengths allow for 2 or 3 storage bays per side. Once a frame is selected, then a storage unit or modesty should be selected to fill each bay. Height and depth of table will determine which size of storage unit should be used. All storage is the same width. Grade of table frame will not affect storage selection.

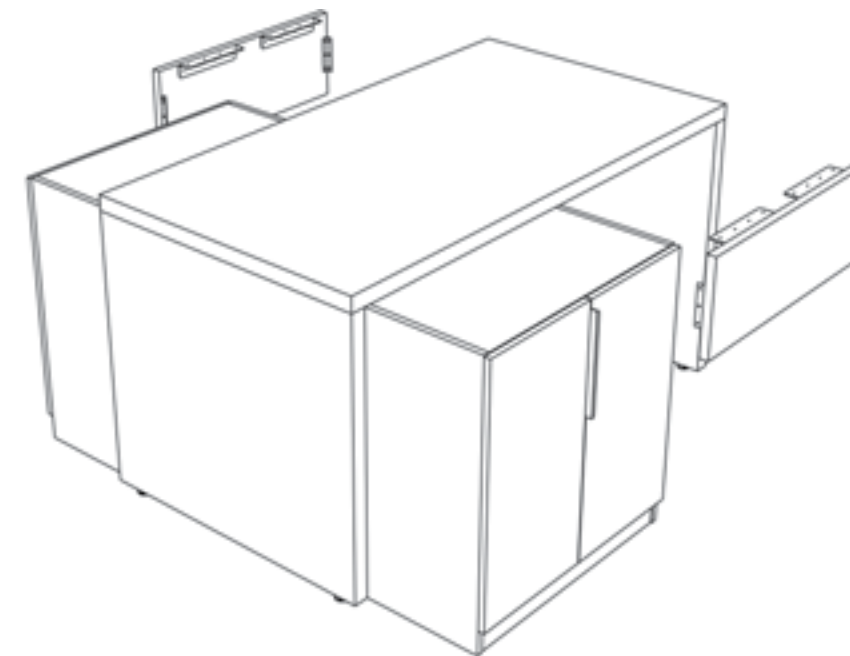
- Counter Height tables will take 34" storage, Bar Height will take 40".
- 36" deep tables should be filled with 18" deep storage.
- 44" deep tables can use 22" deep storage, or 18" deep to create a channel in the center for electrical.
- Partial height modesties are sold in sets of 2. Full height modesties may be specified individually.
- All components (except modesties) includes leveling glides. Levelers will add 3/4" in height.



Specification:

1	PS-SS2C-3698-T1
1	PS-DSTC-1832-35-T1
1	PS-DBLF-1832-35-T1
1	PS-DBCS-1832-35-T1

Example 1: A single sided table with 3 storage units.



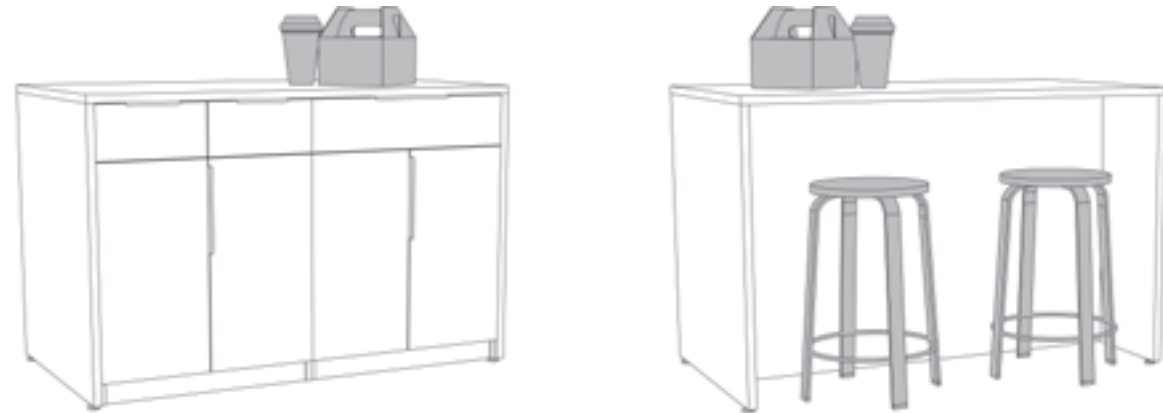
Specification:

1	PS-OS2C-3666-T1
2	PS-DSTC-1832-35-T1
1	PS-G2ST-1232-T1*

Example 2: A double sided table with 2 storage units and 2 partial height modesties*.

*Partial height modesties are sold in sets of 2.

configurations



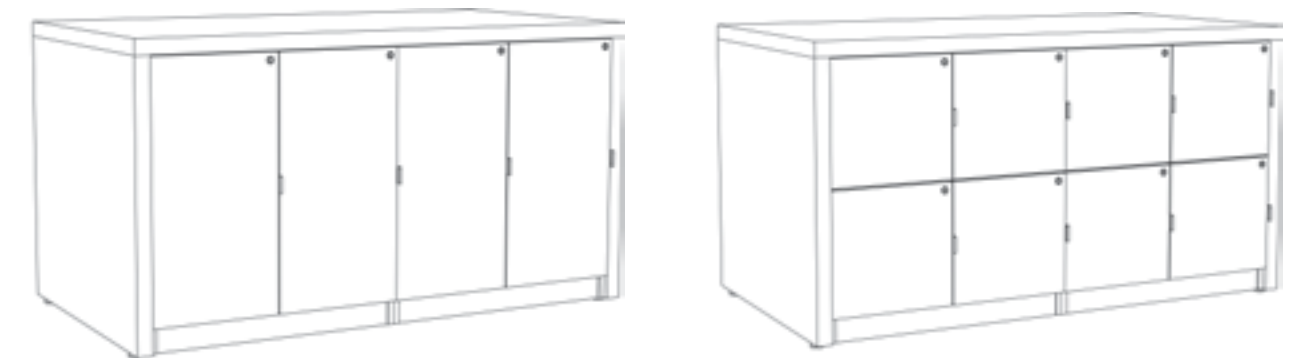
buffet counter



library station



design center



locker bank



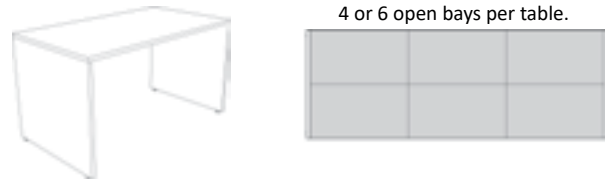
library bar



paper-work center

GRADE 1

Open Shell



Model Number	Width	Length	Height	TFL (T1)	TFL (T2)	HPL (H1)
Counter Height						
PS-OS1C-3665-??	36	64 3/4	34 3/4	\$1,846	\$2,031	\$3,886
PS-OS1C-3696-??	36	96 5/8	34 3/4	N/A	N/A	\$4,812
PS-OS1C-4465-??	44	64 3/4	34 3/4	\$2,550	\$2,805	\$5,369
PS-OS1C-4496-??	44	96 5/8	34 3/4	N/A	N/A	\$5,761
Bar Height						
PS-OS1B-3665-??	36	64 3/4	41 1/2	\$1,893	\$2,083	\$3,986
PS-OS1B-3696-??	36	96 5/8	41 1/2	N/A	N/A	\$5,087
PS-OS1B-4465-??	44	64 3/4	41 1/2	\$2,556	\$2,812	\$5,381
PS-OS1B-4496-??	44	96 5/8	41 1/2	N/A	N/A	\$5,776

- 1-1/8" thick panels are TFL or HPL with Deskmakers standard 2MM PVC edge banding, HPL self edge not available.
- Top over end panel construction, adjustable levelers.
- Ships unassembled.
- Please note some sizes are unavailable in TFL because the table top exceeds the 96" material size.

GRADE 1

Single Sided Shell

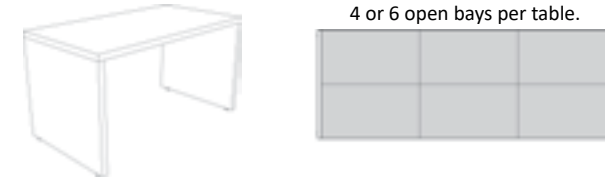


Model Number	Width	Length	Height	TFL (T1)	TFL (T2)	HPL (H1)
Counter Height						
PS-SS1C-3665-??	36	64 3/4	34 3/4	\$2,625	\$2,887	\$5,706
PS-SS1C-3696-??	36	96 5/8	34 3/4	N/A	N/A	\$6,632
PS-SS1C-4465-??	44	64 3/4	34 3/4	\$3,329	\$3,662	\$7,190
PS-SS1C-4496-??	44	96 5/8	34 3/4	N/A	N/A	\$7,589
Bar Height						
PS-SS1B-3665-??	36	64 3/4	41 1/2	\$2,741	\$3,015	\$5,814
PS-SS1B-3696-??	36	96 5/8	41 1/2	N/A	N/A	\$6,915
PS-SS1B-4465-??	44	64 3/4	41 1/2	\$3,410	\$3,751	\$7,210
PS-SS1B-4496-??	44	96 5/8	41 1/2	N/A	N/A	\$7,607

- 1-1/8" thick panels are TFL or HPL with Deskmakers standard 2MM PVC edge banding, HPL self edge not available.
- Top over end panel construction. Full height modesty is inset about 12" on the 36" deep table, and about 16" on the 44" deep table.
- Adjustable levelers.
- Ships unassembled.
- Please note some sizes are unavailable in TFL because the table top exceeds the 96" material size.

GRADE 2

Open Shell

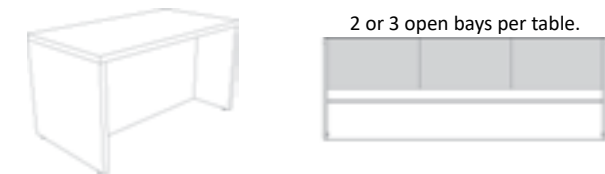


Model Number	Width	Length	Height	TFL (T1)	TFL (T2)	HPL (H1)
Counter Height						
PS-OS2C-3666-??	36	66 1/4	35 1/2	\$4,333	\$4,767	\$7,257
PS-OS2C-3698-??	36	97 1/2	35 1/2	N/A	N/A	\$9,495
PS-OS2C-4466-??	44	66 1/4	35 1/2	\$4,835	\$5,318	\$8,096
PS-OS2C-4498-??	44	97 1/2	35 1/2	N/A	N/A	\$10,629
Bar Height						
PS-OS2B-3666-??	36	66 1/4	42 1/4	\$4,464	\$4,910	\$7,476
PS-OS2B-3698-??	36	97 1/2	42 1/4	N/A	N/A	\$9,632
PS-OS2B-4466-??	44	66 1/4	42 1/4	\$4,965	\$5,462	\$8,302
PS-OS2B-4498-??	44	97 1/2	42 1/4	N/A	N/A	\$10,766

- 1-7/8" thick panels are TFL or HPL with Deskmakers standard 2MM PVC edge banding, HPL self edge not available.
- Top over end panel construction, adjustable levelers.
- Ships unassembled.
- Please note some sizes are unavailable in TFL because the table top exceeds the 96" material size.

GRADE 2

Single Sided Shell



Model Number	Width	Length	Height	TFL (T1)	TFL (T2)	HPL (H1)
Counter Height						
PS-SS2C-3666-??	36	66 1/4	35 1/2	\$5,112	\$5,624	\$9,077
PS-SS2C-3698-??	36	97 1/2	35 1/2	N/A	N/A	\$10,393
PS-SS2C-4466-??	44	66 1/4	35 1/2	\$5,614	\$6,175	\$9,915
PS-SS2C-4498-??	44	97 1/2	35 1/2	N/A	N/A	\$11,528
Bar Height						
PS-SS2B-3666-??	36	66 1/4	42 1/4	\$5,311	\$5,843	\$9,296
PS-SS2B-3698-??	36	97 1/2	42 1/4	N/A	N/A	\$10,532
PS-SS2B-4466-??	44	66 1/4	42 1/4	\$5,813	\$6,394	\$10,123
PS-SS2B-4498-??	44	97 1/2	42 1/4	N/A	N/A	\$11,666

- 1-7/8" thick panels are TFL or HPL with Deskmakers standard 2MM PVC edge banding, HPL self edge not available.
- Top over end panel construction. Full height modesty is inset about 12" on the 36" deep table, and about 16" on the 44" deep table.
- Adjustable levelers.
- Ships unassembled.
- Please note some sizes are unavailable in TFL because the table top exceeds the 96" material size.

Partial Height Stretchers - Pair



Model Number	Length	Height	TFL (T1)	TFL (T2)	HPL (H1)
Grade 1					
PS-G1ST-1632-??	32	16	\$401	\$441	\$744
PS-G1ST-1664-??	64	16	\$639	\$703	\$1,300
PS-G1ST-1696-??	96	16	\$656	\$721	\$1,319
Grade 2					
PS-G2ST-1232-??	32	12	\$343	\$377	\$608
PS-G2ST-1264-??	64	12	\$526	\$579	\$1,030
PS-G2ST-1296-??	96	12	\$542	\$596	\$1,048

- 3/4" thermofuse laminate material only. Ships with mounting hardware for securing to table frame.
- Partial height stretchers sold in pairs.
- Lengths are nominal.

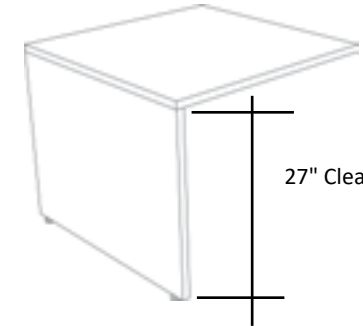
Full Height Stretchers - Individual



Model Number	Length	Height	TFL (T1)	TFL (T2)	HPL (H1)
Counter Height					
PS-FHST-3432-??	32	33 5/8	\$479	\$527	\$1,003
PS-FHST-3464-??	64	33 5/8	\$779	\$857	\$1,820
PS-FHST-3496-??	96	33 5/8	\$854	\$939	\$1,828
Bar Height					
PS-FHST-4132-??	32	40 3/8	\$481	\$529	\$1,006
PS-FHST-4164-??	64	40 3/8	\$848	\$932	\$1,821
PS-FHST-4196-??	96	40 3/8	\$855	\$940	\$1,831

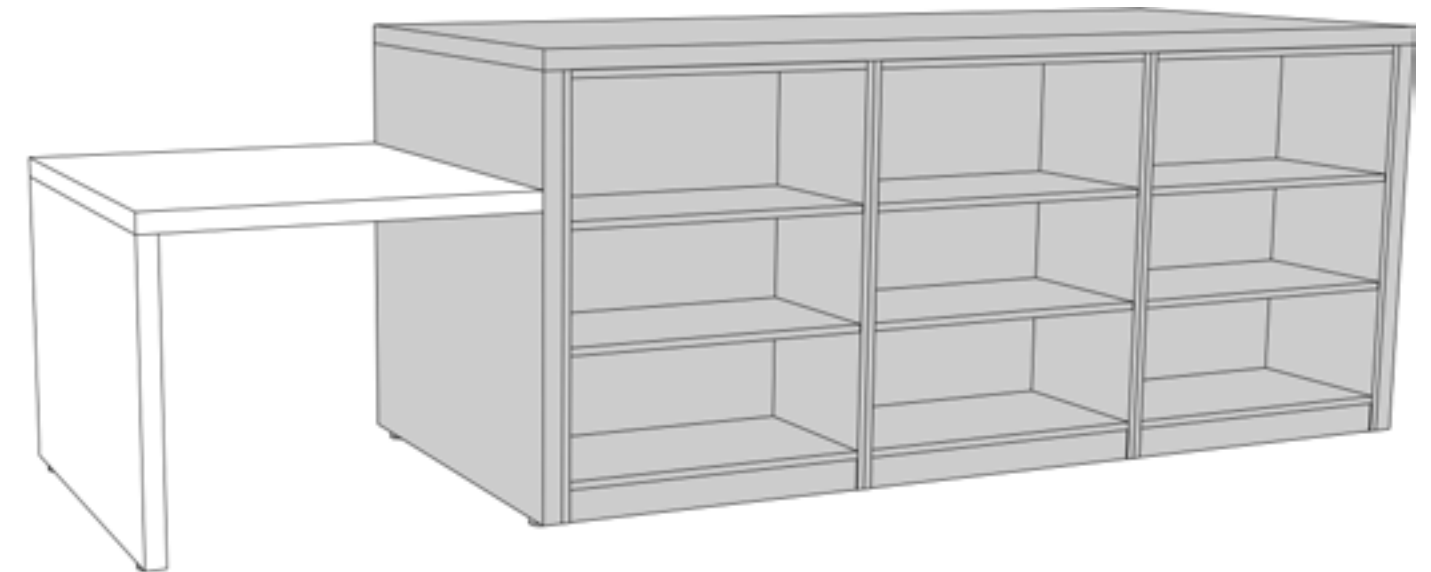
- 3/4" thermofuse laminate material only. Ships with mounting hardware for securing to table.
- Full height stretchers sold individually.
- Lengths are nominal.

ADA Add-on Counter



Model Number	Width	Length	Height	TFL (T1)	TFL (T2)	HPL (H1)
Grade 1						
PS-ADA1-3630-??	36	30	29	\$906	\$996	\$1,888
PS-ADA1-3636-??	36	36	29	\$946	\$1,041	\$1,936
PS-ADA1-4430-??	44	30	29	\$946	\$1,041	\$1,937
PS-ADA1-4436-??	44	36	29	\$954	\$1,050	\$1,946
Grade 2						
PS-ADA2-3630-??	36	30	29	\$1,599	\$1,759	\$3,704
PS-ADA2-3636-??	36	36	29	\$1,608	\$1,768	\$3,714
PS-ADA2-4430-??	44	30	29	\$1,610	\$1,771	\$3,714
PS-ADA2-4436-??	44	36	29	\$1,618	\$1,780	\$3,728

- Top over end panel construction. Material thickness will match table according to grade.
- Add-on counter will attach to end panel of main table via L-brackets.



bookcase



Model Number	Width	Depth	Height	T1	T2
PS-DBCS-1832-35-??	32	18	35	\$999	\$1,099
PS-DBCS-2232-35-??	32	22	35	\$1,158	\$1,274
PS-DBCS-1832-41-??	32	18	41	\$1,158	\$1,274
PS-DBCS-2232-41-??	32	22	41	\$1,167	\$1,283

- Includes levelers.
- Shelf is adjustable.
- Sizes listed are nominal.

cubbies



Model Number	Width	Depth	Height	T1	T2
PS-DCB4-1832-35-??	32	18	35	\$1,206	\$1,326
PS-DCB4-2232-35-??	32	22	35	\$1,340	\$1,474
PS-DCB4-1832-41-??	32	18	41	\$1,341	\$1,475
PS-DCB4-2232-41-??	32	22	41	\$1,354	\$1,489

- Includes levelers.
- Shelves are fixed.
- Sizes listed are nominal.

double locker unit



Model Numbers	Width	Depth	Height	Keyed Lock		Combination Lock		Digital Lock	
				T1-K	T2-K	T1-C1	T2-C1	T1-D	T2-D
PS-DLK2-1832-35-L-??-? PS-DLK2-1832-35-R-??-?	32	18	35	\$1,500	\$1,650	\$2,134	\$2,284	\$2,460	\$2,610
PS-DLK2-2232-35-L-??-? PS-DLK2-2232-35-R-??-?	32	22	35	\$1,635	\$1,798	\$2,269	\$2,432	\$2,595	\$2,758
PS-DLK2-1832-41-L-??-? PS-DLK2-1832-41-R-??-?	32	18	41	\$1,641	\$1,805	\$2,275	\$2,439	\$2,601	\$2,765
PS-DLK2-2232-41-L-??-? PS-DLK2-2232-41-R-??-?	32	22	41	\$1,654	\$1,819	\$2,288	\$2,453	\$2,614	\$2,779

- Includes levelers.
- Keyed lock keyed randomly. For special keying please contact customer service.
- For combinations locks, at least 1 Manager's Key (AC-LOCK-COM1-MKEY \$18) and 1 Code Retrieval Tool (AC-LOCK-COM1-TOOL \$59) are required per project.
- For ADA style combination locks, specify unit as ending in -C2 for an additional \$30 per lock.
- For digital locks, at least 1 Programming Key (AC-LOCK-VRSA-PKEY \$194) and 1 Manager's Key (AC-LOCK-VRSA-MKEY \$138) are required per project.
- Digital locks are ADA by default.
- Can accommodate a wire access cut-out in back panel. Use OP-CUT1-12 for \$356 to specify.
- Sizes listed are nominal.

quad locker unit



Model Numbers	Width	Depth	Height	Keyed Lock		Combination Lock		Digital Lock	
				T1-K	T2-K	T1-C1	T2-C1	T1-D	T2-D
PS-DLK4-1832-35-L-??-? PS-DLK4-1832-35-R-??-?	32	18	35	\$1,560	\$1,716	\$2,828	\$2,984	\$3,480	\$3,636
PS-DLK4-2232-35-L-??-? PS-DLK4-2232-35-R-??-?	32	22	35	\$1,694	\$1,864	\$2,962	\$3,132	\$3,614	\$3,784
PS-DLK4-1832-41-L-??-? PS-DLK4-1832-41-R-??-?	32	18	41	\$1,701	\$1,871	\$2,969	\$3,139	\$3,621	\$3,791
PS-DLK4-2232-41-L-??-? PS-DLK4-2232-41-R-??-?	32	22	41	\$1,714	\$1,886	\$2,982	\$3,154	\$3,634	\$3,806

- Includes levelers.
- Keyed lock keyed randomly. For special keying please contact customer service.
- For combinations locks, at least 1 Manager's Key (AC-LOCK-COM1-MKEY \$18) and 1 Code Retrieval Tool (AC-LOCK-COM1-TOOL \$59) are required per project.
- For ADA style combination locks, specify unit as ending in -C2 for an additional \$30 per lock.
- For digital locks, at least 1 Programming Key (AC-LOCK-VRSA-PKEY \$194) and 1 Manager's Key (AC-LOCK-VRSA-MKEY \$138) are required per project.
- Digital locks are ADA by default.
- Can accommodate a wire access cut-out in back panel. Use OP-CUT1-12 for \$356 to specify.
- Sizes listed are nominal.

storage cabinet



Model Number	Width	Depth	Height	T1	T2
PS-DSTC-1832-35-??	32	18	35	\$1,256	\$1,381
PS-DSTC-2232-35-??	32	22	35	\$1,270	\$1,397
PS-DSTC-1832-41-??	32	18	41	\$1,265	\$1,392
PS-DSTC-2232-41-??	32	22	41	\$1,278	\$1,406

- Includes levelers. To add lock, use OP-LOCK-ADD for \$127.
- Includes 1 adjustable shelf. Can accommodate a wire access cut-out in back panel. Use OP-CUT1-12 for \$356 to specify.
- Sizes listed are nominal.

buffet cabinet with single drawer



Model Number	Width	Depth	Height	T1	T2
PS-DBC1-1832-35-??	32	18	35	\$1,469	\$1,616
PS-DBC1-2232-35-??	32	22	35	\$1,564	\$1,720
PS-DBC1-1832-41-??	32	18	41	\$1,488	\$1,637
PS-DBC1-2232-41-??	32	22	41	\$1,663	\$1,830

- Includes levelers. To add lock to door section only, use OP-LOCK-ADD for \$127.
- Includes 1 adjustable shelf. Can accommodate a wire access cut-out in back panel. Use OP-CUT1-12 for \$356 to specify.
- Sizes listed are nominal.

buffet cabinet with double drawers



Model Number	Width	Depth	Height	T1	T2
PS-DBC2-1832-35-??	32	18	35	\$1,631	\$1,795
PS-DBC2-2232-35-??	32	22	35	\$1,735	\$1,908
PS-DBC2-1832-41-??	32	18	41	\$1,751	\$1,926
PS-DBC2-2232-41-??	32	22	41	\$1,854	\$2,040

- Includes levelers. To add lock to door section only, use OP-LOCK-ADD for \$127.
- Includes 1 adjustable shelf. Can accommodate a wire access cut-out in back panel. Use OP-CUT1-12 for \$356 to specify.
- Sizes listed are nominal.

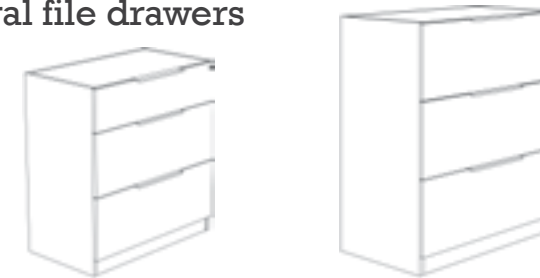
box drawers



Model Number	Width	Depth	Height	T1	T2
PS-DBB5-1832-35-??	32	18	35	\$2,087	\$2,295
PS-DBB5-2232-35-??	32	22	35	\$2,107	\$2,317
PS-DBB6-1832-41-??	32	18	41	\$2,097	\$2,307
PS-DBB6-2232-41-??	32	22	41	\$2,159	\$2,375

- Includes levelers and lock.
- Anti-tip mechanism does not work on box drawers, it is important to secure units to frame at install.
- Sizes listed are nominal.

lateral file drawers



Model Number	Width	Depth	Height	T1	T2
PS-DBLF-1832-35-??	32	18	35	\$1,605	\$1,766
PS-DBLF-2232-35-??	32	22	35	\$1,621	\$1,783
PS-DLF3-1832-41-??	32	18	41	\$1,614	\$1,775
PS-DLF3-2232-41-??	32	22	41	\$1,661	\$1,827

- Includes levelers and lock.
- Lateral file drawer allows for two rows front to back legal or letter filing, or one row of side to side legal filing.
- Anti-tip mechanism included.
- Sizes listed are nominal.

Please visit [Deskmakers.com](https://deskmakers.com) to view our current **Terms and Conditions**.

Please visit [Deskmakers.com](https://deskmakers.com) to view our current **Warranty**.

Showroom Locations

Los Angeles

DeskMakers Headquarters
6525 Flotilla Street
Commerce, CA 90040

DeskMakers

Phone: 323.264.2260 | Fax: 323.725.6960
www.deskmakers.com