



# Avalon

PRICE & SPECIFICATION GUIDE

Version: 05.04.23

DeskMakers

## revisions

---

06/06/22	Product Launch
08/18/22	Added surcharge note, updated TFL sizes
12/01/22	Updated pricing
04/17/23	Swapped Digital Locks for Analog Combination Locks on Storage
05/04/23	

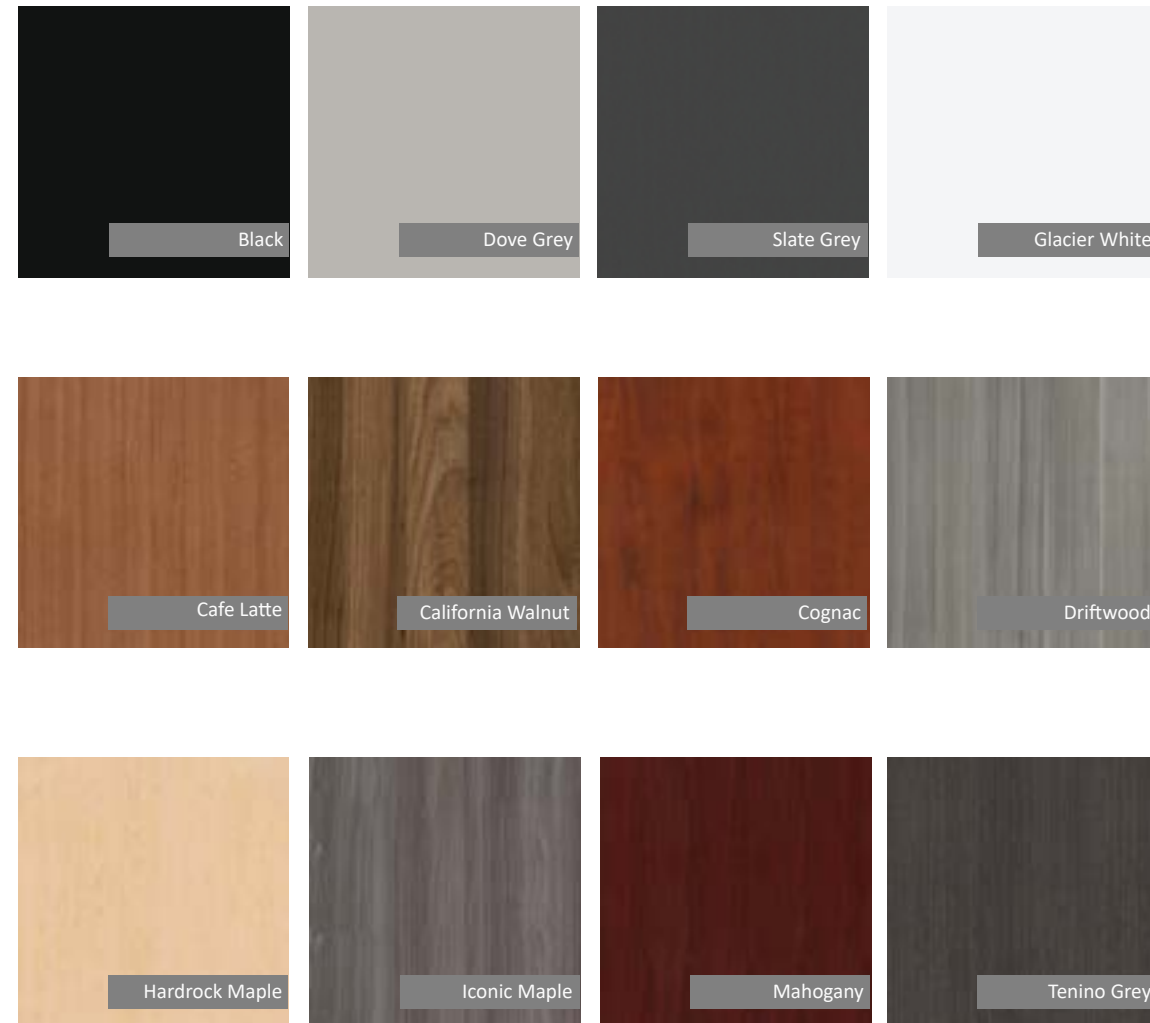
## table of contents

---

Laminates	4-6
Pulls	7
Product Details	8-21
Shells	22-23
Stretchers	24
ADA Add-on	25
Storage	26-29
Terms and conditions	30
Warranty	31

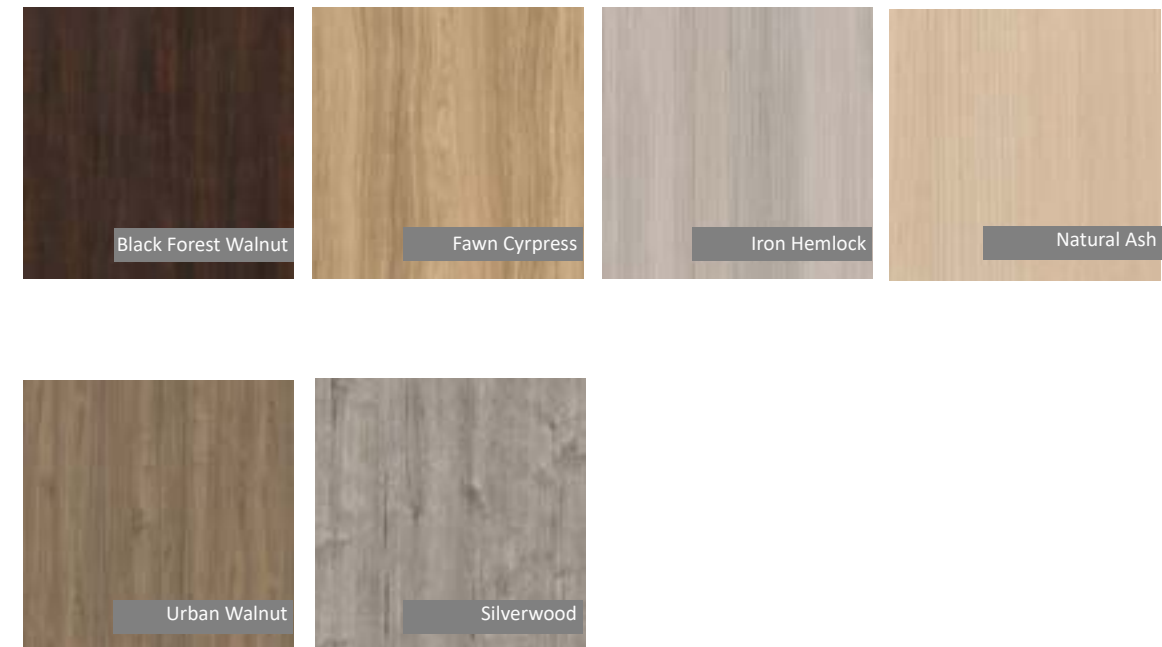
## laminates finishes

### standard thermofuse laminate (TFL)



Matching 2MM PVC edgebanding is available for all Standard TFL finishes shown here.  
 For HPL match information please visit [deskmakers.com/resources/materials](https://deskmakers.com/resources/materials)

### premium thermofuse laminate (TFL)



Premium TFLs require a 10% upcharge. Add item code OP-TTFL-1.  
 Matching 2MM PVC edgebanding is available for all Premium TFL finishes shown here.  
 For HPL match information please visit [deskmakers.com/resources/materials](https://deskmakers.com/resources/materials)

# laminates finishes

## high pressure laminate (HPL)

Pricing shown in this price list applies only to non-premium HPLs as follows:

- Wilsonart: Solids, Woodgrains, and Abstracts in Matte (-60) finish,
- Formica: Color Portfolio, Woodgrains, and Patterns in Matte (-58) finish
- Pionite: Solids, Woodgrains, and Abstracts in Suede (N) finish
- Arborite: Solids, Woodgrains, Textures and Abstracts in Matte (CA) finish
- Nevamar: Solids, Woodgrains, Stones and Abstracts in ARP (-T) finish

A minimum charge of \$500 net per HPL color will be applied to each order.

Call customer service for pricing for all other HPLs.

Additional lead times required for HPL orders depending on material availability and order complexity.

## high pressure laminate (HPL) pricing chart

Most DeskMakers product is made of Thermofuse laminate (TFL). As such, there is an upcharge for ordering product in high pressure laminate (HPL). This upcharge varies based on the product and the size of the HPL order.

Please note that only the portion of the order in HPL will be calculated to determine the level of HPL upcharges.

HPL is always available with DeskMakers standard 2MM edgebanding. Special order matching PVC 2MM edgebanding may be available for orders \$25,000 List or larger, call customer service for pricing.

Product Category	Option Code	HPL UPCHARGE
CASEGOODS Entire Unit HPL	OP-HPL1-4-??	120%
CASEGOODS HPL Drawer Fronts only	OP-HPL1-2-??	20%

# pulls and lock options

## standard pulls

Pulls are included on all drawers and cabinet doors for no upcharge.



101SN



101BL



105SN



115SN



115BL



201SN



125SN\*



125BL\*



201BL

\*The 125SN/BL pull is 7.5" long. On lateral file drawers and larger cabinet doors a longer 12.5" pull in the same style will be used. This may be identified as a "127SN/BL" pull on your acknowledgment.

## combination lock

Combination locks are priced as a standard option for all locker storage units and can be added to any door storage unit using AC-LOCK-COM1-SV for \$305 List per lock.



- All metal housing
- Vertical body style
- Operates with a 4-Digit User Code
- Default configuration is multi-user mode - code resets after each use. Assigned user locks available contact customer service
- Cores keyed alike per site
- Two year warranty
- Manager's Key - serves as master key, needed to reset locks with lost combinations. AC-LOCK-COM1-MKEY \$17.\*
- Core Removal Key - used to change out a core. AC-LOCK-COM1-RKEY \$29
- User Key - used to operate a lock instead of using the combination dials. AC-LOCK-COM1-UKEY \$2
- Code Retrieval Tool - used with Manager's Key to reset a lock with a lost combination. AC-LOCK-COM1-TOOL \$57\*



ADA Version - \$334 List  
AC-LOCK-COM1-ADA



Manager Key and Code  
Retrieval Tool

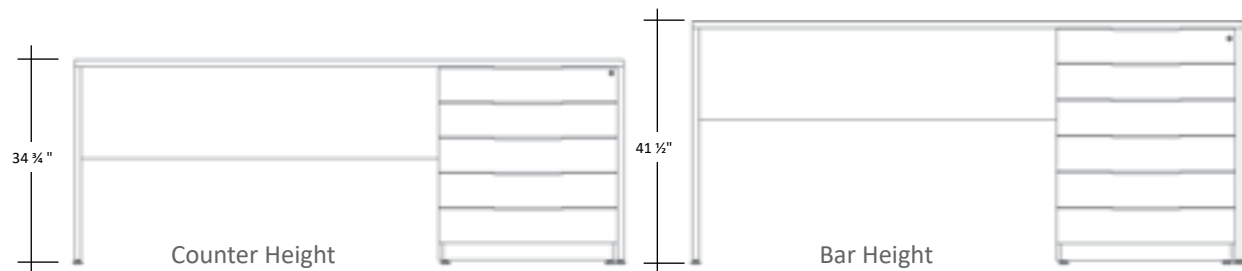
\* At least 1 Manager's Key and 1 Code Retrieval Tool required per project.

## grade 1

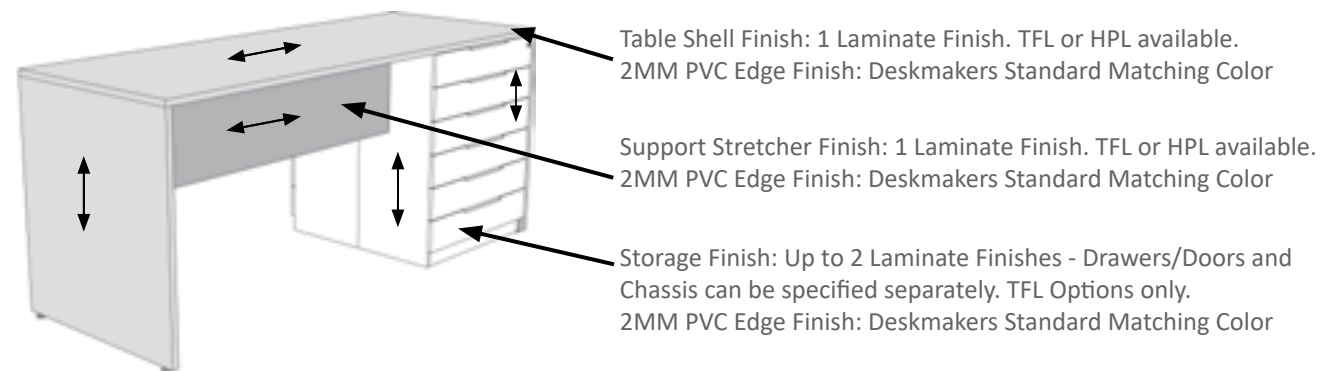


### details

- Available in 2 depths, 2 heights, and 2 lengths. No custom sizes available.
- All 1-1/8" thick panels in TFL or HPL with Deskmakers standard 2MM PVC edge banding.
- Top over end panel construction.
- 16" high dual stretchers available.
- Adjustable levelers.
- Ships unassembled.



### finishes and grain direction

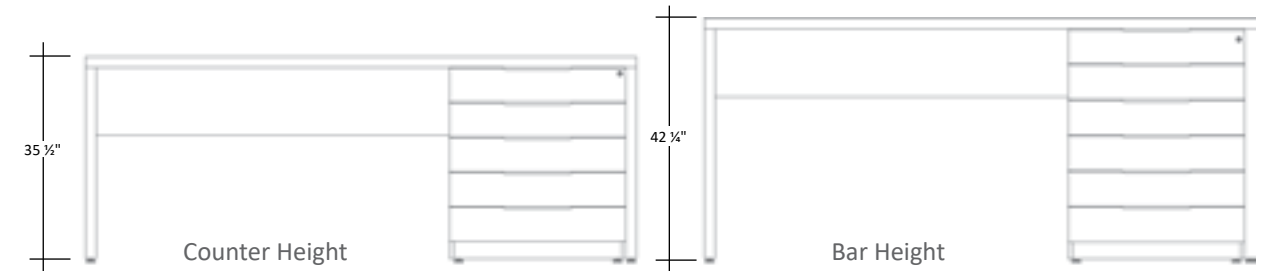


## grade 2

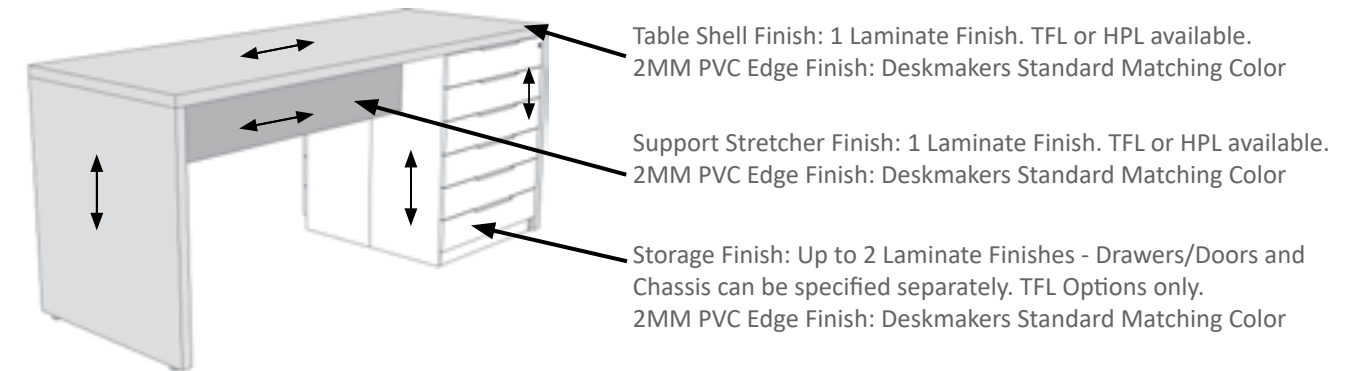


### details

- Available in 2 depths, 2 heights, and 2 lengths. No custom sizes available.
- 1-7/8" thick top and end panels in TFL or HPL with Deskmakers standard 2MM PVC edge banding.
- Top over end panel construction.
- 12" high dual stretchers available.
- Adjustable levelers.
- Ships unassembled.
- Tables over 96" available in Southern California and/or will call only.

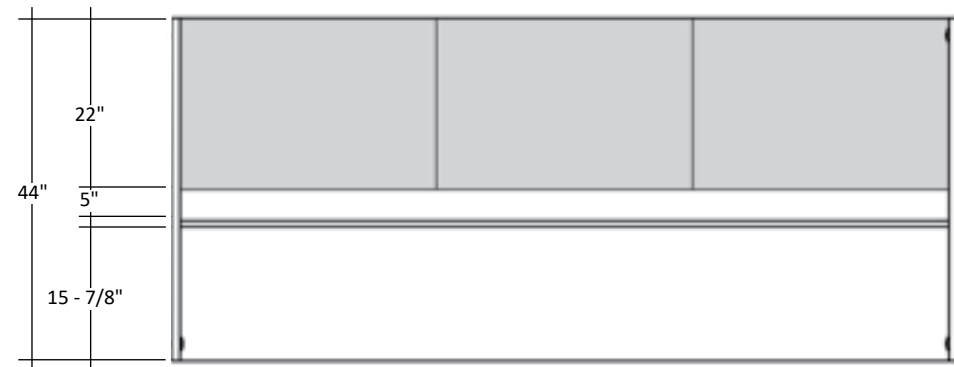
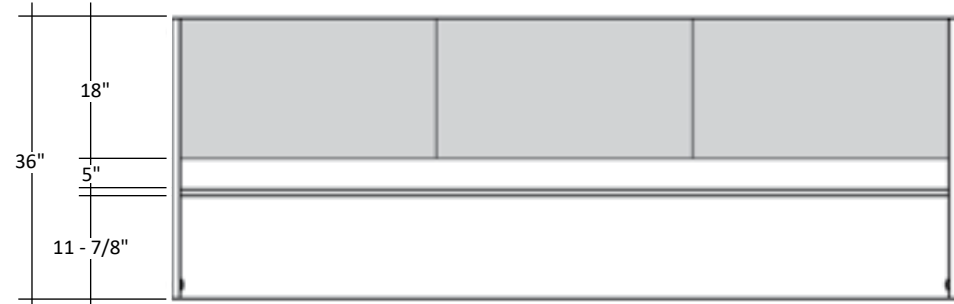


### finishes and grain direction

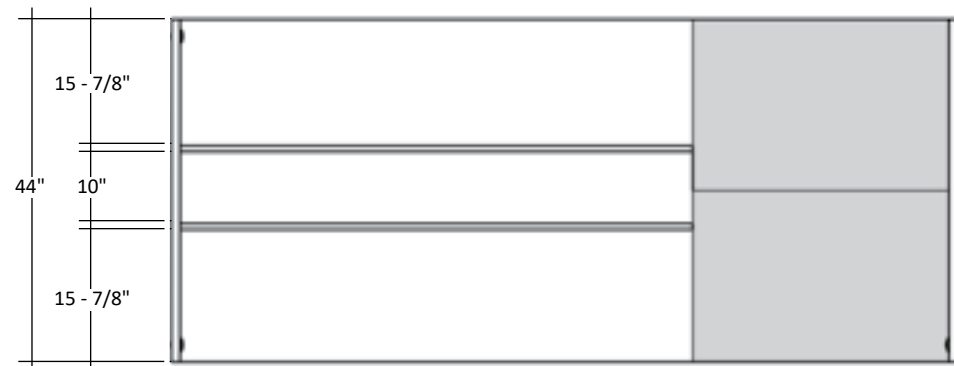


## clear knee space

### single sided parsons tables



### double sided parsons tables



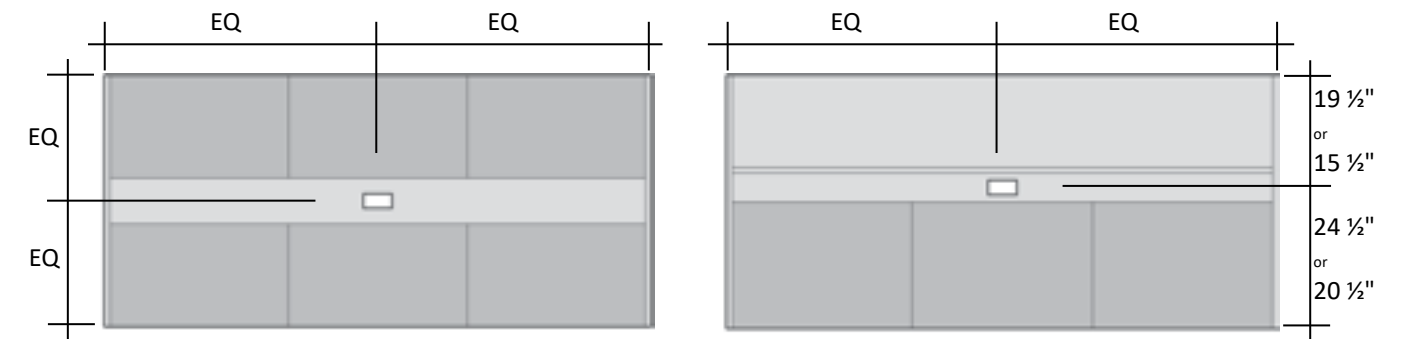
## grommet locations

### grommet placement:

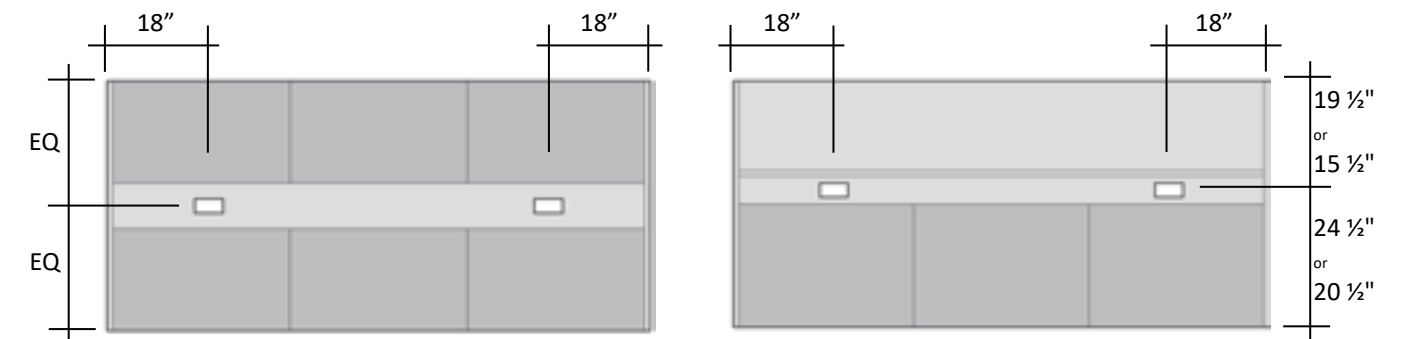
Double sided tables have grommets located centered on depth of table top.  
Grommets located 5" closer to seating side on single sided tables.

All dimensions are to the center of grommet cutout. Completely concealed wire management only offered on double sided tables using 18" deep storage under 44" deep tables. Power units other than those recommended in this price list may not be compatible. Please check with Design Department.

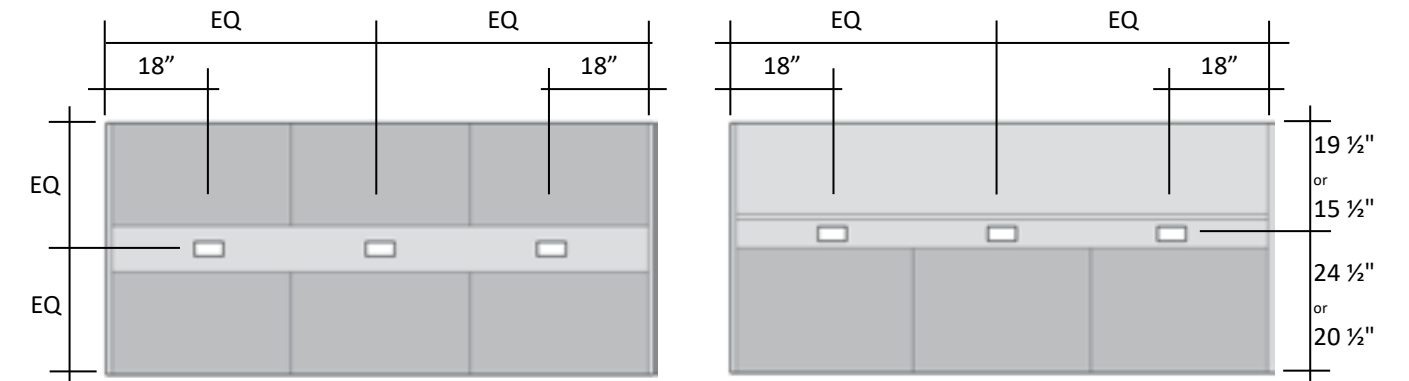
### center grommet placement



### end left and end right grommet placement



### center and end grommet placement\*

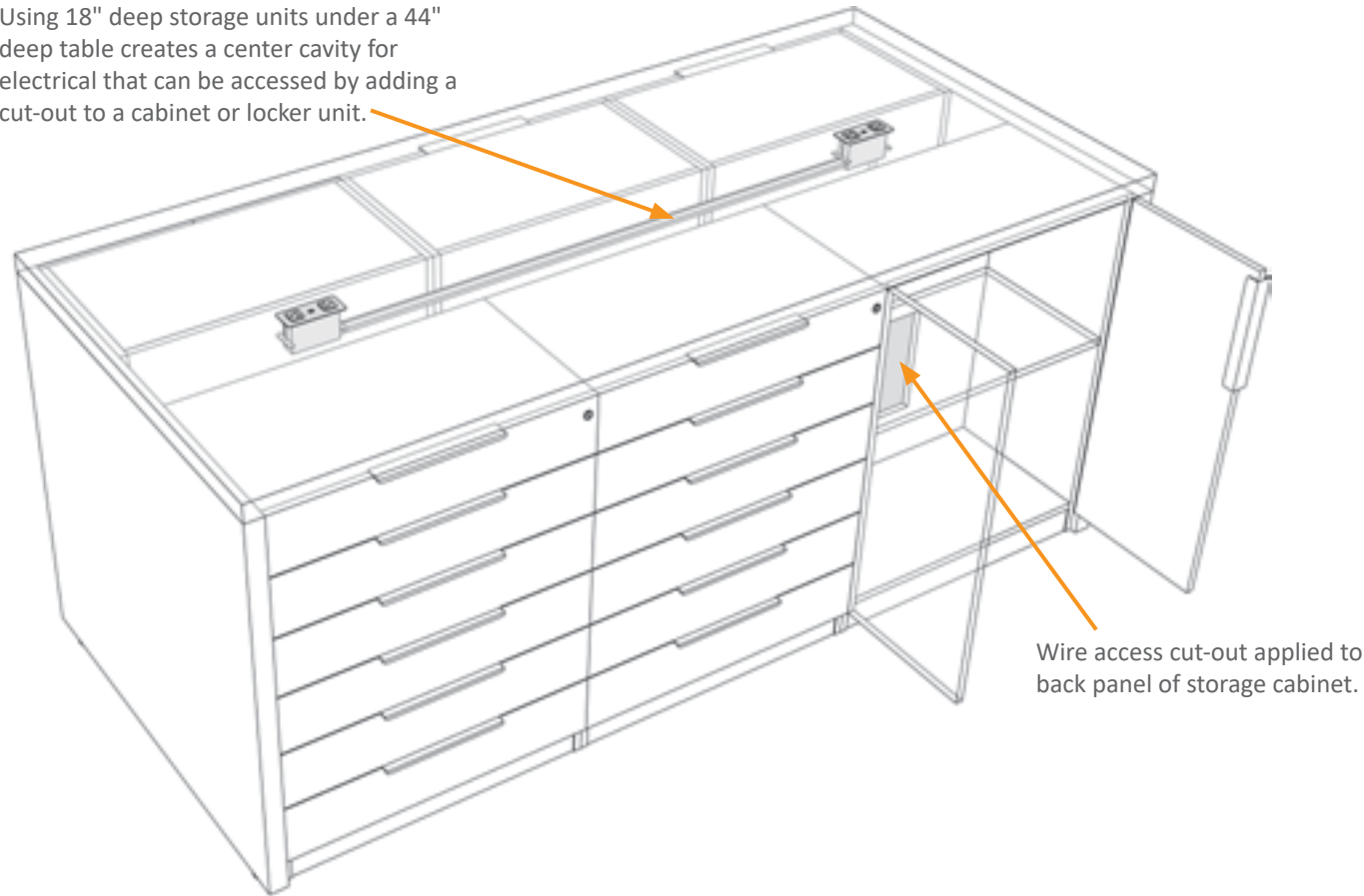


\*For 3-bay tables only

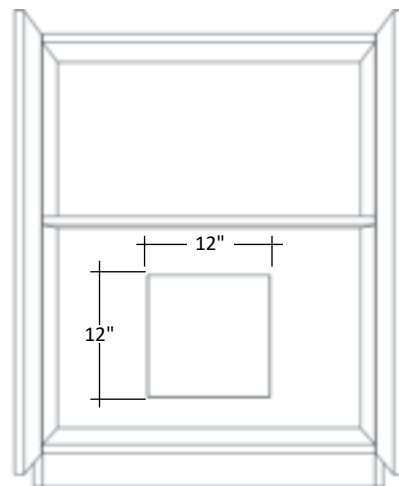
For specific information and pricing on grommets please see the Electrical Pricebook.

## wire management

Using 18" deep storage units under a 44" deep table creates a center cavity for electrical that can be accessed by adding a cut-out to a cabinet or locker unit.



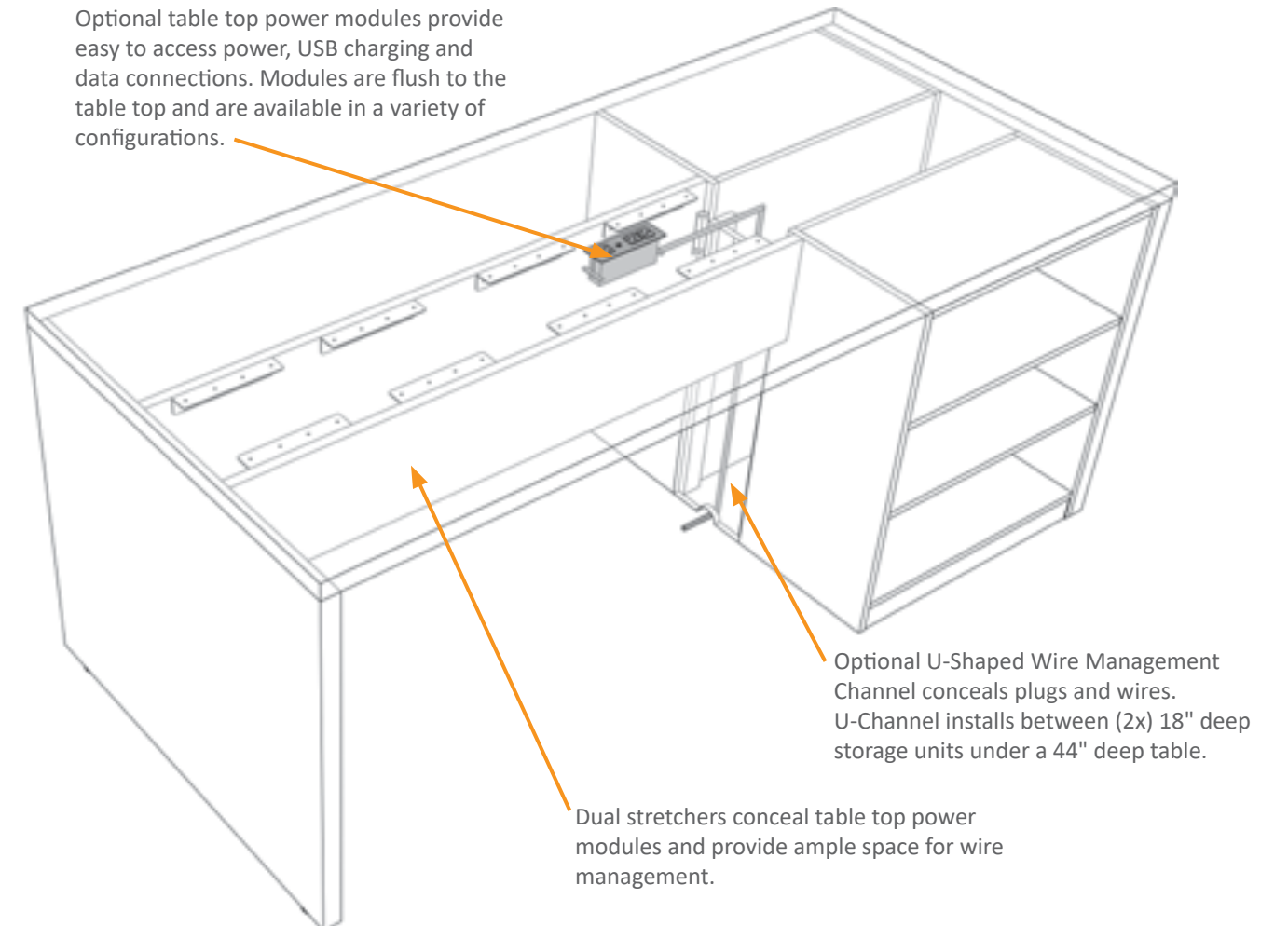
### wire access cut-out



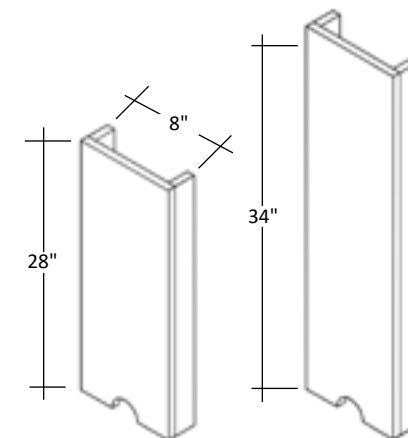
Wire access cut-out will not be edgebanded and only offered on units with doors. Wire access cut-out specified using sku OP-CUT1-12 for \$342 (each cut-out). For orders with multiple styles of door storage, indicate which storage should receive cut-out.

## wire management

Optional table top power modules provide easy to access power, USB charging and data connections. Modules are flush to the table top and are available in a variety of configurations.



### u-shaped wire management channel



Wire management u-channels offered in two sizes corresponding with counter and bar height tables. U-channel can be used for grade 1 and grade 2 tables.

PS-UCHN-C for \$371  
PS-UCHN-B for \$399

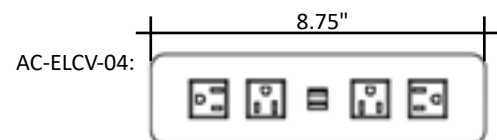
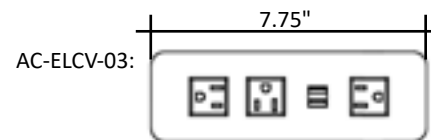
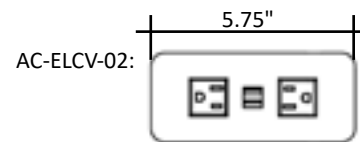
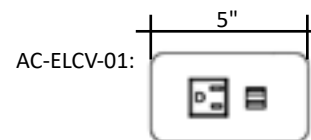
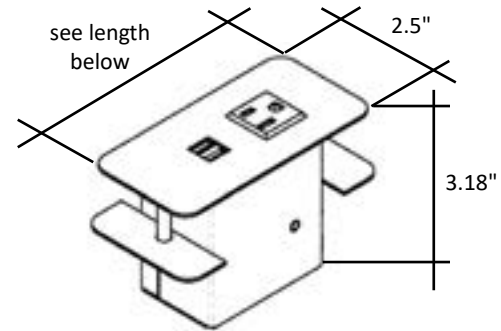
## Surface Mounted Power and USB Unit

AC-ELCV-01, AC-ELCV-02, AC-ELCV-03, AC-ELCV-04  
See Electrical Pricebook for pricing



### Specifications

- Multiple configurations available
- Spill resistant power outlets
- (2) 2.1A USB charging ports
- (1) 108" long 15amp plug cord
- Clamp mount
- Available finishes: Black, Silver and White



## Surface Mounted Power with USB and Data

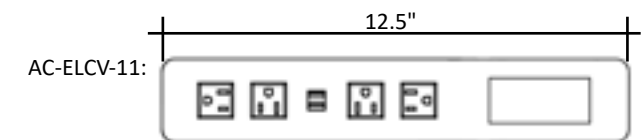
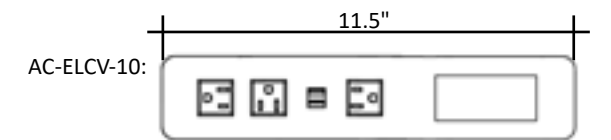
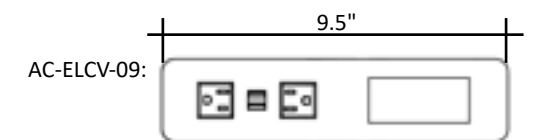
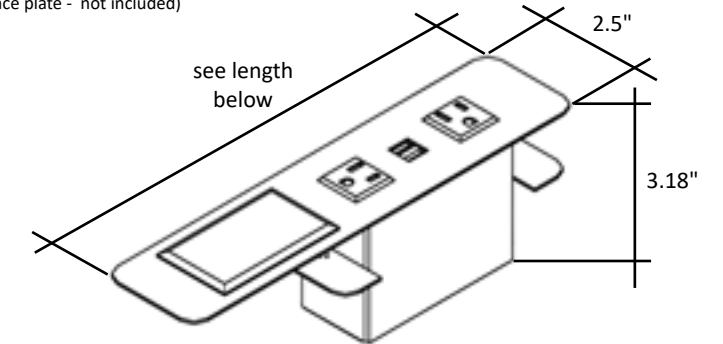
AC-ELCV-09, AC-ELCV-10, AC-ELCV-11  
See Electrical Pricebook for pricing



(image shown with interface plate - not included)

### Specifications

- Multiple configurations available
- Spill resistant power outlets
- (2) 2.1A USB charging ports
- (1) cutout for interface plate (not included)
- (1) 108" long 15amp plug cord
- Clamp mount
- Available finishes: Black, Silver and White





# Avalon

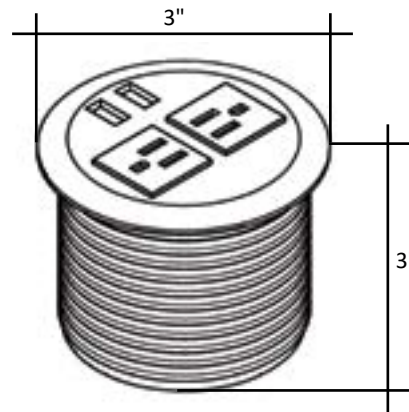
## Round Surface Mounted Grommet Power with USB

AC-PWRG-03, AC-PWRG-02  
See Page 34 for pricing



### Specifications

- Round 3" grommet hole
- (2) Spill resistant power outlets
- (2) 2.1A USB charging ports
- (1) 84" long 15amp plug cord
- Mounting Ring
- Available finishes: Black, Silver and White

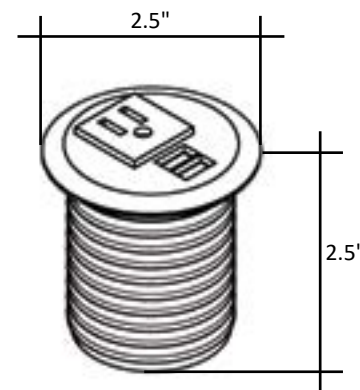


### Specifications

- Round 2-2.5" grommet hole
- (1) Spill resistant power outlets
- (2) 2.1A USB charging ports
- (1) 84" long 15amp plug cord
- Mounting Ring
- Available finishes: Black, Silver and White

### For Use With:

- Training Tables
- Parsons Tables
- TeamWorx Worksurfaces
- Hover Worksurfaces
- Casegood Worksurfaces



# Avalon

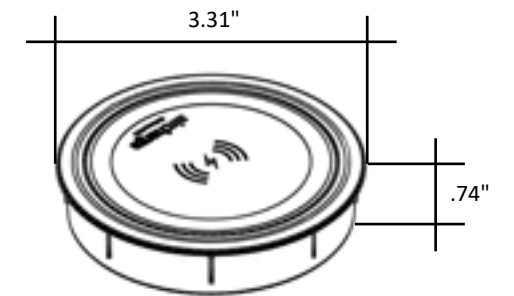
## Cordless Charging Unit

AC-ELAC-01, AC-ELAC-02  
See Electrical Pricebook for pricing



### Specifications

- Cordless charging capability
  - Compatibility with all Qi rated devices and smartphones\*
  - Fits into 3.14" grommet cutout
  - (1) 78" long 15amp cord with USB end
  - Steel mounting plate
  - Available finishes: Black and White with Aluminum Trim
- \*For complete list of compatible devices, contact customer service.

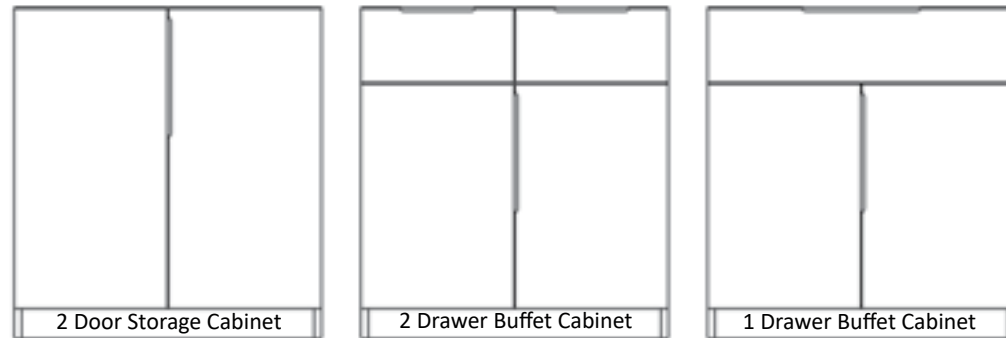
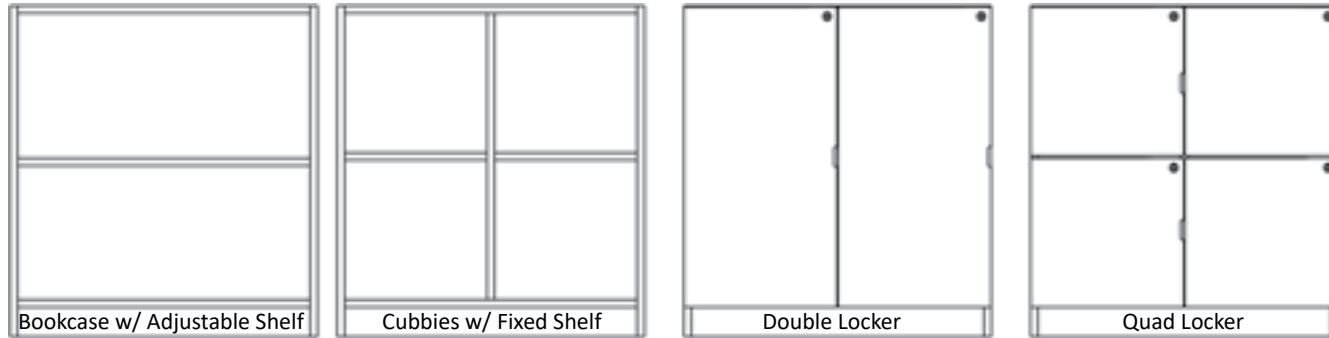


### Orb Wireless Receiver

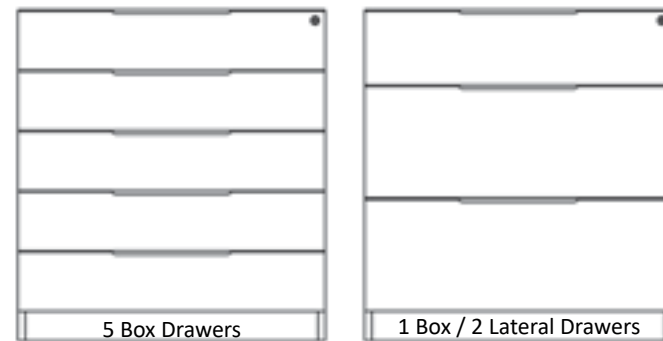


Optional orb wireless receiver allows devices not equipped with the Qi technology to be used with charging unit. To use, connect the receiver to device and place receiver on charging unit. Orb wireless receiver includes Lightning, 30-pin and Micro-USB connectors.

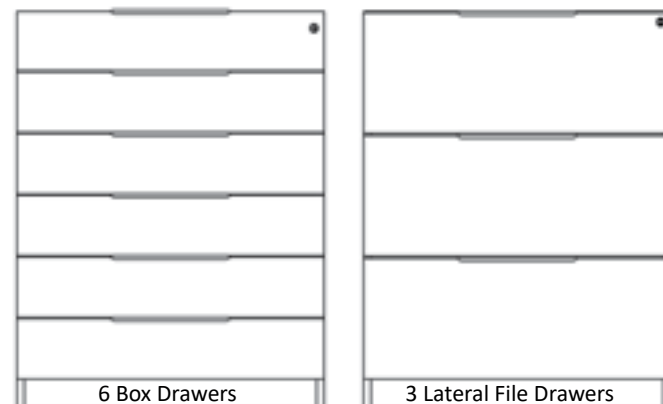
**open, locker, and cabinet storage - available for both heights**



**drawer storage - available for counter height only**



**cabinet storage - available for bar height only**

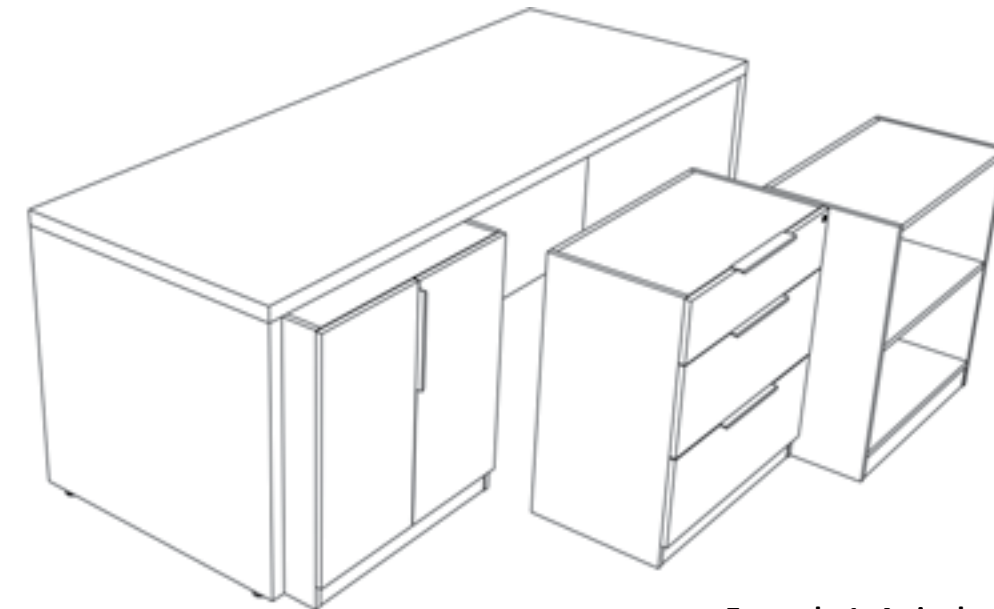


- All cabinets with left and right models are shown as left models.

**How to Specify**

Avalon is available in 2 heights, 2 widths, and 2 lengths. The lengths allow for 2 or 3 storage bays per side. Once a frame is selected, then a storage unit or modesty should be selected to fill each bay. Height and depth of table will determine which size of storage unit should be used. All storage is the same width. Grade of table frame will not affect storage selection.

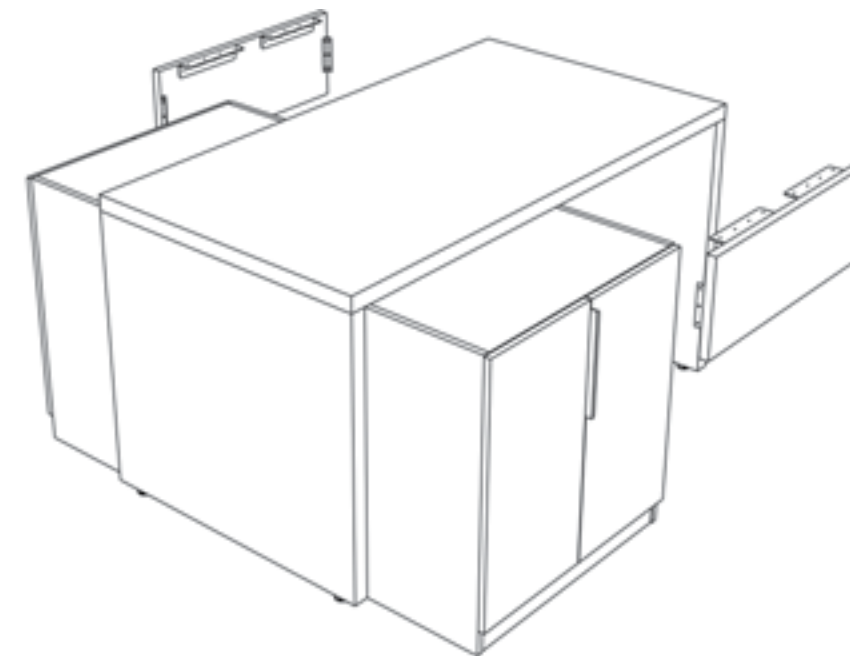
- Counter Height tables will take 34" storage, Bar Height will take 40".
- 36" deep tables should be filled with 18" deep storage.
- 44" deep tables can use 22" deep storage, or 18" deep to create a channel in the center for electrical.
- Partial height modesties are sold in sets of 2. Full height modesties may be specified individually.
- All components (except modesties) includes leveling glides. Levelers will add 3/4" in height.



**Specification:**

1	PS-SS2C-3698-T1
1	PS-DSTC-1832-35-T1
1	PS-DBLF-1832-35-T1
1	PS-DBCS-1832-35-T1

**Example 1: A single sided table with 3 storage units.**



**Specification:**

1	PS-OS2C-3666-T1
2	PS-DSTC-1832-35-T1
1	PS-G2ST-1232-T1*

**Example 2: A double sided table with 2 storage units and 2 partial height modesties\*.**

\*Partial height modesties are sold in sets of 2.

## configurations



buffet counter



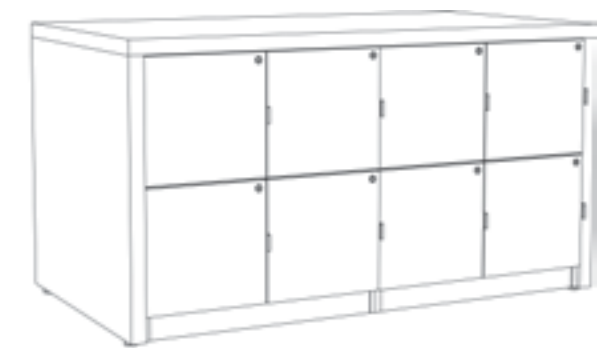
library station



design center



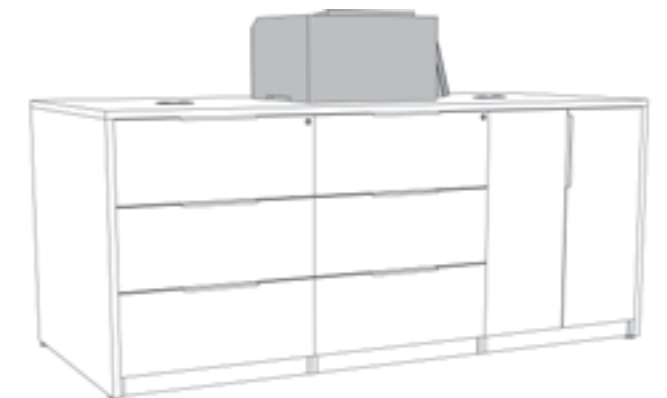
locker bank



library bar

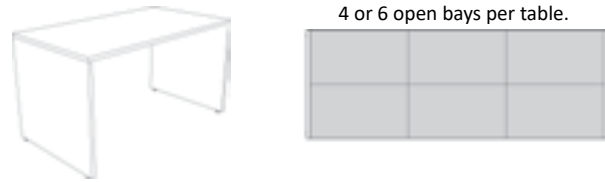


paper-work center



## GRADE 1

### Open Shell

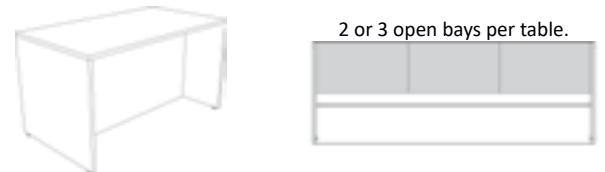


Model Number	Width	Length	Height	TFL (T1)	TFL (T2)	HPL (H1)
<b>Counter Height</b>						
PS-OS1C-3665-??	36	64 3/4	34 3/4	\$1,775	\$1,952	\$3,737
PS-OS1C-3696-??	36	96 5/8	34 3/4	N/A	N/A	\$4,627
PS-OS1C-4465-??	44	64 3/4	34 3/4	\$2,452	\$2,697	\$5,162
PS-OS1C-4496-??	44	96 5/8	34 3/4	N/A	N/A	\$5,539
<b>Bar Height</b>						
PS-OS1B-3665-??	36	64 3/4	41 1/2	\$1,821	\$2,003	\$3,833
PS-OS1B-3696-??	36	96 5/8	41 1/2	N/A	N/A	\$4,891
PS-OS1B-4465-??	44	64 3/4	41 1/2	\$2,458	\$2,704	\$5,174
PS-OS1B-4496-??	44	96 5/8	41 1/2	N/A	N/A	\$5,554

- 1-1/8" thick panels are TFL or HPL with Deskmakers standard 2MM PVC edge banding, HPL self edge not available.
- Top over end panel construction, adjustable levelers.
- Ships unassembled.
- Please note some sizes are unavailable in TFL because the table top exceeds the 96" material size.

## GRADE 1

### Single Sided Shell

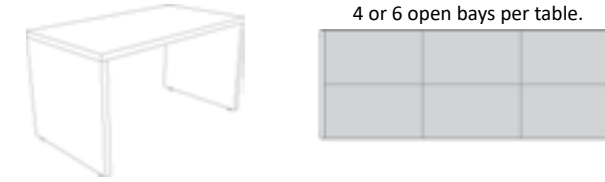


Model Number	Width	Length	Height	TFL (T1)	TFL (T2)	HPL (H1)
<b>Counter Height</b>						
PS-SS1C-3665-??	36	64 3/4	34 3/4	\$2,524	\$2,776	\$5,486
PS-SS1C-3696-??	36	96 5/8	34 3/4	N/A	N/A	\$6,377
PS-SS1C-4465-??	44	64 3/4	34 3/4	\$3,201	\$3,521	\$6,913
PS-SS1C-4496-??	44	96 5/8	34 3/4	N/A	N/A	\$7,297
<b>Bar Height</b>						
PS-SS1B-3665-??	36	64 3/4	41 1/2	\$2,636	\$2,899	\$5,591
PS-SS1B-3696-??	36	96 5/8	41 1/2	N/A	N/A	\$6,649
PS-SS1B-4465-??	44	64 3/4	41 1/2	\$3,279	\$3,607	\$6,932
PS-SS1B-4496-??	44	96 5/8	41 1/2	N/A	N/A	\$7,314

- 1-1/8" thick panels are TFL or HPL with Deskmakers standard 2MM PVC edge banding, HPL self edge not available.
- Top over end panel construction. Full height modesty is inset about 12" on the 36" deep table, and about 16" on the 44" deep table.
- Adjustable levelers.
- Ships unassembled.
- Please note some sizes are unavailable in TFL because the table top exceeds the 96" material size.

## GRADE 2

### Open Shell

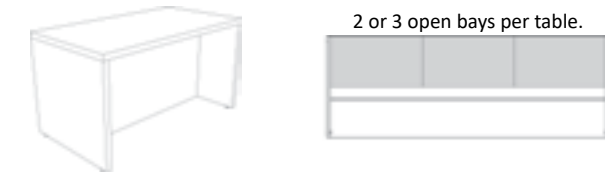


Model Number	Width	Length	Height	TFL (T1)	TFL (T2)	HPL (H1)
<b>Counter Height</b>						
PS-OS2C-3666-??	36	66 1/4	35 1/2	\$4,167	\$4,583	\$6,978
PS-OS2C-3698-??	36	97 1/2	35 1/2	N/A	N/A	\$9,130
PS-OS2C-4466-??	44	66 1/4	35 1/2	\$4,649	\$5,114	\$7,784
PS-OS2C-4498-??	44	97 1/2	35 1/2	N/A	N/A	\$10,220
<b>Bar Height</b>						
PS-OS2B-3666-??	36	66 1/4	42 1/4	\$4,292	\$4,721	\$7,188
PS-OS2B-3698-??	36	97 1/2	42 1/4	N/A	N/A	\$9,262
PS-OS2B-4466-??	44	66 1/4	42 1/4	\$4,774	\$5,252	\$7,982
PS-OS2B-4498-??	44	97 1/2	42 1/4	N/A	N/A	\$10,352

- 1-7/8" thick panels are TFL or HPL with Deskmakers standard 2MM PVC edge banding, HPL self edge not available.
- Top over end panel construction, adjustable levelers.
- Ships unassembled.
- Please note some sizes are unavailable in TFL because the table top exceeds the 96" material size.

## GRADE 2

### Single Sided Shell



Model Number	Width	Length	Height	TFL (T1)	TFL (T2)	HPL (H1)
<b>Counter Height</b>						
PS-SS2C-3666-??	36	66 1/4	35 1/2	\$4,916	\$5,407	\$8,728
PS-SS2C-3698-??	36	97 1/2	35 1/2	N/A	N/A	\$9,994
PS-SS2C-4466-??	44	66 1/4	35 1/2	\$5,398	\$5,938	\$9,534
PS-SS2C-4498-??	44	97 1/2	35 1/2	N/A	N/A	\$11,084
<b>Bar Height</b>						
PS-SS2B-3666-??	36	66 1/4	42 1/4	\$5,107	\$5,618	\$8,939
PS-SS2B-3698-??	36	97 1/2	42 1/4	N/A	N/A	\$10,127
PS-SS2B-4466-??	44	66 1/4	42 1/4	\$5,589	\$6,148	\$9,733
PS-SS2B-4498-??	44	97 1/2	42 1/4	N/A	N/A	\$11,218

- 1-7/8" thick panels are TFL or HPL with Deskmakers standard 2MM PVC edge banding, HPL self edge not available.
- Top over end panel construction. Full height modesty is inset about 12" on the 36" deep table, and about 16" on the 44" deep table.
- Adjustable levelers.
- Ships unassembled.
- Please note some sizes are unavailable in TFL because the table top exceeds the 96" material size.

## Partial Height Stretchers - Pair



Model Number	Length	Height	TFL (T1)	TFL (T2)	HPL (H1)
<b>Grade 1</b>					
PS-G1ST-1632-??	32	16	\$385	\$424	\$715
PS-G1ST-1664-??	64	16	\$614	\$676	\$1,250
PS-G1ST-1696-??	96	16	\$630	\$693	\$1,268
<b>Grade 2</b>					
PS-G2ST-1232-??	32	12	\$329	\$362	\$584
PS-G2ST-1264-??	64	12	\$506	\$557	\$990
PS-G2ST-1296-??	96	12	\$521	\$573	\$1,008

- 3/4" thermofuse laminate material only. Ships with mounting hardware for securing to table frame.
- Partial height stretchers sold in pairs.
- Lengths are nominal.

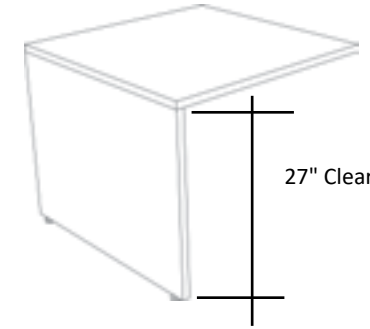
## Full Height Stretchers - Individual



Model Number	Length	Height	TFL (T1)	TFL (T2)	HPL (H1)
<b>Counter Height</b>					
PS-FHST-3432-??	32	33 5/8	\$461	\$507	\$965
PS-FHST-3464-??	64	33 5/8	\$749	\$824	\$1,750
PS-FHST-3496-??	96	33 5/8	\$821	\$903	\$1,758
<b>Bar Height</b>					
PS-FHST-4132-??	32	40 3/8	\$463	\$509	\$967
PS-FHST-4164-??	64	40 3/8	\$815	\$897	\$1,751
PS-FHST-4196-??	96	40 3/8	\$822	\$904	\$1,760

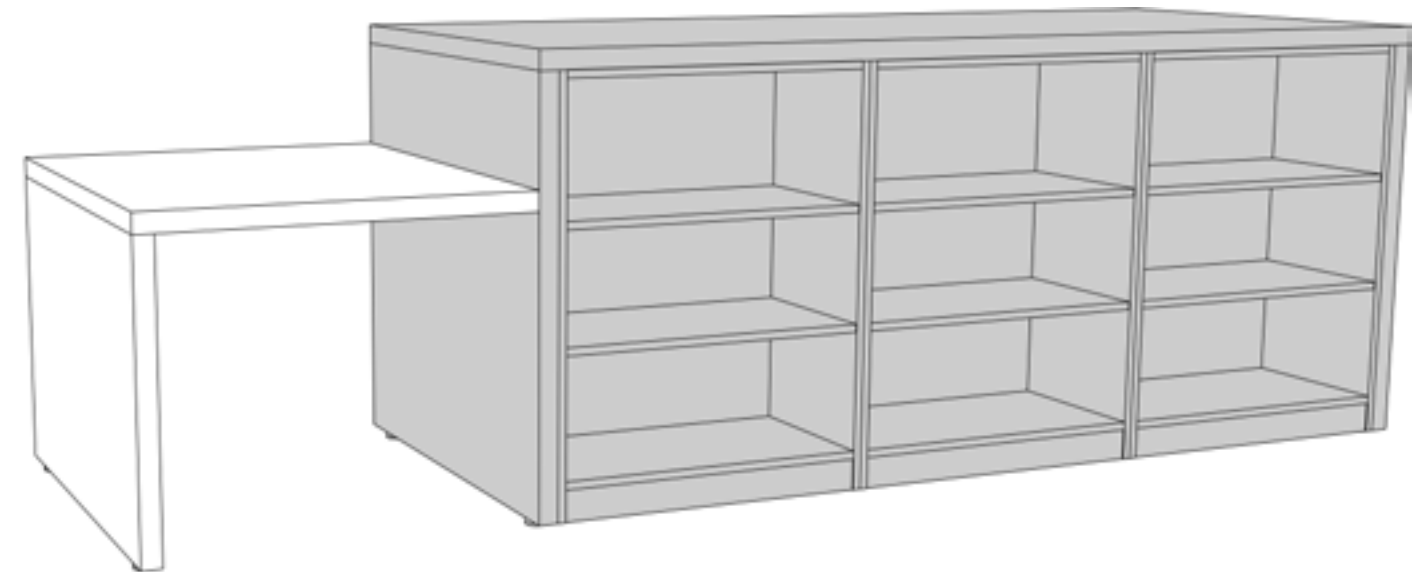
- 3/4" thermofuse laminate material only. Ships with mounting hardware for securing to table.
- Full height stretchers sold individually.
- Lengths are nominal.

## ADA Add-on Counter



Model Number	Width	Length	Height	TFL (T1)	TFL (T2)	HPL (H1)
<b>Grade 1</b>						
PS-ADA1-3630-??	36	30	29	\$871	\$958	\$1,816
PS-ADA1-3636-??	36	36	29	\$910	\$1,001	\$1,861
PS-ADA1-4430-??	44	30	29	\$910	\$1,001	\$1,862
PS-ADA1-4436-??	44	36	29	\$918	\$1,009	\$1,871
<b>Grade 2</b>						
PS-ADA2-3630-??	36	30	29	\$1,538	\$1,692	\$3,562
PS-ADA2-3636-??	36	36	29	\$1,546	\$1,700	\$3,571
PS-ADA2-4430-??	44	30	29	\$1,548	\$1,703	\$3,571
PS-ADA2-4436-??	44	36	29	\$1,556	\$1,712	\$3,584

- Top over end panel construction. Material thickness will match table according to grade.
- Add-on counter will attach to end panel of main table via L-brackets.



## bookcase



Model Number	Width	Depth	Height	T1	T2
PS-DBCS-1832-35-??	32	18	35	\$961	\$1,057
PS-DBCS-2232-35-??	32	22	35	\$1,114	\$1,225
PS-DBCS-1832-41-??	32	18	41	\$1,114	\$1,225
PS-DBCS-2232-41-??	32	22	41	\$1,122	\$1,234

- Includes levelers.
- Shelf is adjustable.
- Sizes listed are nominal.

## cubbies



Model Number	Width	Depth	Height	T1	T2
PS-DCB4-1832-35-??	32	18	35	\$1,159	\$1,275
PS-DCB4-2232-35-??	32	22	35	\$1,288	\$1,417
PS-DCB4-1832-41-??	32	18	41	\$1,289	\$1,418
PS-DCB4-2232-41-??	32	22	41	\$1,302	\$1,432

- Includes levelers.
- Shelves are fixed.
- Sizes listed are nominal.

## double locker unit



Model Numbers	Width	Depth	Height	Keyed Lock		Combination Lock	
				T1-K	T2-K	T1-C1	T2-C1
PS-DLK2-1832-35-L-??-? PS-DLK2-1832-35-R-??-?	32	18	35	\$1,442	\$1,586	\$2,052	\$2,196
PS-DLK2-2232-35-L-??-? PS-DLK2-2232-35-R-??-?	32	22	35	\$1,572	\$1,729	\$2,182	\$2,339
PS-DLK2-1832-41-L-??-? PS-DLK2-1832-41-R-??-?	32	18	41	\$1,578	\$1,736	\$2,188	\$2,346
PS-DLK2-2232-41-L-??-? PS-DLK2-2232-41-R-??-?	32	22	41	\$1,590	\$1,749	\$2,200	\$2,359

- Includes levelers.
- Keyed lock keyed randomly. For special keying please contact customer service.
- For combinations locks, at least 1 Manager's Key (AC-LOCK-COM1-MKEY \$17) and 1 Code Retrieval Tool (AC-LOCK-COM1-TOOL \$57) are required per project.
- For ADA style combination locks, specify unit as ending in -C2 for an additional \$29 per lock.
- Can accommodate a wire access cut-out in back panel. Use OP-CUT1-12 for \$342 to specify.
- Sizes listed are nominal.

## quad locker unit



Model Numbers	Width	Depth	Height	Keyed Lock		Combination Lock	
				T1-K	T2-K	T1-C1	T2-C1
PS-DLK4-1832-35-L-??-? PS-DLK4-1832-35-R-??-?	32	18	35	\$1,500	\$1,650	\$2,720	\$2,870
PS-DLK4-2232-35-L-??-? PS-DLK4-2232-35-R-??-?	32	22	35	\$1,629	\$1,792	\$2,849	\$3,012
PS-DLK4-1832-41-L-??-? PS-DLK4-1832-41-R-??-?	32	18	41	\$1,636	\$1,799	\$2,856	\$3,019
PS-DLK4-2232-41-L-??-? PS-DLK4-2232-41-R-??-?	32	22	41	\$1,648	\$1,813	\$2,868	\$3,033

- Includes levelers.
- Keyed lock keyed randomly. For special keying please contact customer service.
- For combinations locks, at least 1 Manager's Key (AC-LOCK-COM1-MKEY \$17) and 1 Code Retrieval Tool (AC-LOCK-COM1-TOOL \$57) are required per project.
- For ADA style combination locks, specify unit as ending in -C2 for an additional \$29 per lock.
- Can accommodate a wire access cut-out in back panel. Use OP-CUT1-12 for \$342 to specify.
- Sizes listed are nominal.

## storage cabinet



Model Number	Width	Depth	Height	T1	T2
PS-DSTC-1832-35-??	32	18	35	\$1,207	\$1,328
PS-DSTC-2232-35-??	32	22	35	\$1,221	\$1,343
PS-DSTC-1832-41-??	32	18	41	\$1,216	\$1,338
PS-DSTC-2232-41-??	32	22	41	\$1,229	\$1,352

- Includes levelers. To add lock, use OP-LOCK-ADD for \$122.
- Includes 1 adjustable shelf. Can accommodate a wire access cut-out in back panel. Use OP-CUT1-12 for \$342 to specify.
- Sizes listed are nominal.

## buffet cabinet with single drawer



Model Number	Width	Depth	Height	T1	T2
PS-DBC1-1832-35-??	32	18	35	\$1,412	\$1,554
PS-DBC1-2232-35-??	32	22	35	\$1,504	\$1,654
PS-DBC1-1832-41-??	32	18	41	\$1,431	\$1,574
PS-DBC1-2232-41-??	32	22	41	\$1,599	\$1,759

- Includes levelers. To add lock to door section only, use OP-LOCK-ADD for \$122.
- Includes 1 adjustable shelf. Can accommodate a wire access cut-out in back panel. Use OP-CUT1-12 for \$342 to specify.
- Sizes listed are nominal.

## buffet cabinet with double drawers



Model Number	Width	Depth	Height	T1	T2
PS-DBC2-1832-35-??	32	18	35	\$1,569	\$1,726
PS-DBC2-2232-35-??	32	22	35	\$1,668	\$1,835
PS-DBC2-1832-41-??	32	18	41	\$1,684	\$1,852
PS-DBC2-2232-41-??	32	22	41	\$1,783	\$1,961

- Includes levelers. To add lock to door section only, use OP-LOCK-ADD for \$122.
- Includes 1 adjustable shelf. Can accommodate a wire access cut-out in back panel. Use OP-CUT1-12 for \$342 to specify.
- Sizes listed are nominal.

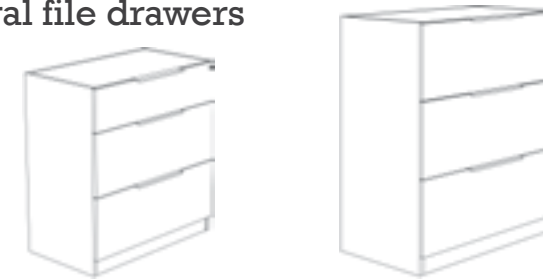
## box drawers



Model Number	Width	Depth	Height	T1	T2
PS-DBB5-1832-35-??	32	18	35	\$2,006	\$2,207
PS-DBB5-2232-35-??	32	22	35	\$2,026	\$2,228
PS-DBB6-1832-41-??	32	18	41	\$2,017	\$2,218
PS-DBB6-2232-41-??	32	22	41	\$2,076	\$2,284

- Includes levelers and lock.
- Anti-tip mechanism does not work on box drawers, it is important to secure units to frame at install.
- Sizes listed are nominal.

## lateral file drawers



Model Number	Width	Depth	Height	T1	T2
PS-DBLF-1832-35-??	32	18	35	\$1,544	\$1,698
PS-DBLF-2232-35-??	32	22	35	\$1,558	\$1,714
PS-DLF3-1832-41-??	32	18	41	\$1,552	\$1,707
PS-DLF3-2232-41-??	32	22	41	\$1,597	\$1,757

- Includes levelers and lock.
- Lateral file drawer allows for two rows front to back legal or letter filing, or one row of side to side legal filing.
- Anti-tip mechanism included.
- Sizes listed are nominal.

Please see website for current Terms and Conditions:  
[www.deskmakers.com](http://www.deskmakers.com)

### Limited Lifetime Warranty

(Effective Only for Furniture Sold as of January 1, 2015)

DeskMakers, Inc. furniture is warranted against defects in material and workmanship given normal usage and care for as long as the original purchaser owns it.

DeskMakers will repair or replace at its option, and at its own cost, any product that develops a defect during the warranty period. In some cases, DeskMakers may elect to refund the customer's original purchase price (less reasonable depreciation) in lieu of repair or replacement. Repair, replacement, or refund is the purchaser's sole remedy, the choice of which rests solely with DeskMakers. DeskMakers shall not be liable for any incidental or consequential damages including lost profits and loss of use of product.

### Limitations

- The warranty for PVC edges, wood veneer edges, HPL edges, mechanical parts such as ball bearing slides, door hinges, floor glides, fabric (except for COM fabrics), seating foam, and wood veneer surfaces shall be limited to five (5) years.
- The warranty for training tables shall be limited to five (5) years.
- The warranty for engineered-to-order "custom" products shall be limited to three (3) years.
- The warranty for height-adjustable bases shall be limited to two (2) years and shall not include replacement labor.
- The warranty for electrical power-data grommets and components shall be limited to one year and shall not include replacement labor.
- The warranty for task lights shall be limited to 1 year and shall not include replacement labor.
- This warranty does not cover:
  - » Normal wear and tear.
  - » The color fastness of any laminate, wood, or fabric, as such colors can fade or darken with normal use and as a result of exposure to light.
  - » Customer's Own Materials (COM).
  - » Damage caused by placing anything other than hanging files in file drawers.
  - » Damage caused to any products by improper use of cleaning fluids.
  - » Rental furniture.
  - » Replacement labor and service charges.

### Normal Usage

This warranty does not apply to damages or failures resulting from misuse, abuse, negligence, or improper care. For casegoods, tables, and desking, normal usage is limited to 40 hours per week.



## Showroom Locations

### Los Angeles

DeskMakers Headquarters  
6525 Flotilla Street  
Commerce, CA 90040

### San Francisco Bay Area

376 Martin Ave  
Santa Clara, CA 95050

---

# DeskMakers

Phone: 323.264.2260 | Fax: 323.725.6960  
[www.deskmakers.com](http://www.deskmakers.com)