



# Avalon

PRICE & SPECIFICATION GUIDE

---

Version: 12.01.24  
*prices effective Feburary 1, 2025*

The logo for DeskMakers, featuring the word "Desk" in a grey sans-serif font and "Makers" in a bold, black sans-serif font, with a horizontal orange line above the "Makers" text.

## revisions

06/06/22	Product Launch
08/18/22	Added surcharge note, updated TFL sizes
12/01/22	Updated pricing
04/17/23	Swapped Digital Locks for Analog Combination Locks on Storage
08/21/23	Updated Finishes, Re-placed Digital Locks
03/15/24	Updated pricing
08/30/24	Updated finishes and pulls
12/01/24	Updated pricing

## table of contents

Laminates	4-6
Pulls	7
Product Details	8-21
Shells	22-23
Stretchers	24
ADA Add-on	25
Storage	26-29
Terms and conditions	30
Warranty	31

## laminates finishes

### thermofuse laminate (TFL)

Pricing shown in this price list applies only to TFL finishes currently included in the DeskMakers finish collection. For the most accurate finish list please see [deskmakers.com](http://deskmakers.com).

### high pressure laminate (HPL)

Pricing shown in this price list applies only to non-premium HPLs as follows:

- Wilsonart: Solids, Woodgrains, and Abstracts in Matte (-60) finish,
- Formica: Color Portfolio, Woodgrains, and Patterns in Matte (-58) finish
- Pionite: Solids, Woodgrains, and Abstracts in Suede (N) finish
- Arborite: Solids, Woodgrains, Textures and Abstracts in Matte (CA) finish
- Nevamar: Solids, Woodgrains, Stones and Abstracts in ARP (-T) finish

A minimum charge of \$546 net per HPL color will be applied to each order.

Call customer service for pricing for all other HPLs.

Additional lead times required for HPL orders depending on material availability and order complexity.

### high pressure laminate (HPL) pricing chart

Most DeskMakers product is made of Thermofuse laminate (TFL). As such, there is an upcharge for ordering product in high pressure laminate (HPL). This upcharge varies based on the product and the size of the HPL order.

Please note that only the portion of the order in HPL will be calculated to determine the level of HPL upcharges.

HPL is always available with DeskMakers standard 2MM edgebanding. Special order matching PVC 2MM edgebanding may be available for orders \$25,000 List or larger, call customer service for pricing.

Product Category	Option Code	HPL UPCHARGE
CASEGOODS Entire Unit HPL	OP-HPL1-4-??	120%
CASEGOODS HPL Drawer Fronts only	OP-HPL1-2-??	20%

## pulls & hardware

### standard pulls

Pulls are included on all drawers and cabinet doors for no upcharge.



\*The 125SN/BL pull is 7.5" long. On lateral file drawers and larger cabinet doors a longer 12.5" pull in the same style will be used. This may be identified as a "127SN/BL" pull on your acknowledgment.

\* 105 and 107 pulls are only available in the silver nickel 'SN' finish.

## analog locks

## keyed lock



## details

- 2 keys per lock
- Can "key alike" with other DeskMakers laminate furniture. Use code AC-LOCK-101 to -200 for \$23 List each to specify key number
- To order Master Key use AC-LOCK-MSTR for \$147 List.

## combination lock

Combination locks are priced as a standard option for all locker storage units and can be added to any door storage unit using AC-LOCK-COM1-SV for \$333 List per lock.



- All metal housing
- Vertical body style
- Operates with a 4-Digit User Code
- Default configuration is multi-user mode - code resets after each use. Assigned user locks available contact customer service
- Cores keyed alike per site
- Two year warranty
- Manager's Key - serves as master key, needed to reset locks with lost combinations. AC-LOCK-COM1-MKEY \$19.\*
- Core Removal Key - used to change out a core. AC-LOCK-COM1-RKEY \$32
- User Key - used to operate a lock instead of using the combination dials. AC-LOCK-COM1-UKEY \$2
- Code Retrieval Tool - used with Manager's Key to reset a lock with a lost combination. AC-LOCK-COM1-TOOL \$62\*



ADA Version - \$364 List  
AC-LOCK-COM1-ADA



Manager Key and Code  
Retrieval Tool

\* At least 1 Manager's Key and 1 Code Retrieval Tool required per project.

Avalon  
digital lock

## digital lock



## details

- brushed nickel finish
- black keypad with numbers
- vertical body orientation
- all metal lock housing
- manual dead bolt (turn knob)
- operated with user selected 4-digit code
- shared use application
- override and power bypass
- visual and audible indicator
- powered by 2 lithium CR2450 batteries, battery life is 180,000 cycles with average use

To specify in place of a key lock on any cabinet door, add AC-LOCK-DIG1-SLV for \$504 list. Digilocks are included as a standard option on Avalon lockers - see pricing on pages 8-15.



## programming key

- (1) programming key is required for each installation
- initializes new locks
- registers manager bypass key
- overrides user access
- allows management audit/inspection
- provides external power

To specify, add AC-LOCK-VRSA-PKEY for \$204 list.



## manager key

- minimum (1) manager key is required for each installation, multiple manager keys may be used
- assigns access credential(s)
- overrides user access (in assigned use functionality)
- allows management audit/inspection
- provides external power

To specify, add AC-LOCK-VRSA-MKEY for \$145 list.

## ADA options

US Access Board requires 5% of all locks to be ADA compliant.



## ADA compliant knob

Allows door to be opened with one hand and does not require tight grasping, pinching or twisting of the wrist.

To promote universal access, DeskMakers provides the ADA knob by default at no additional charge unless otherwise specified.



## user key

Allows user to operate the lock without using a user code. One key per locker.

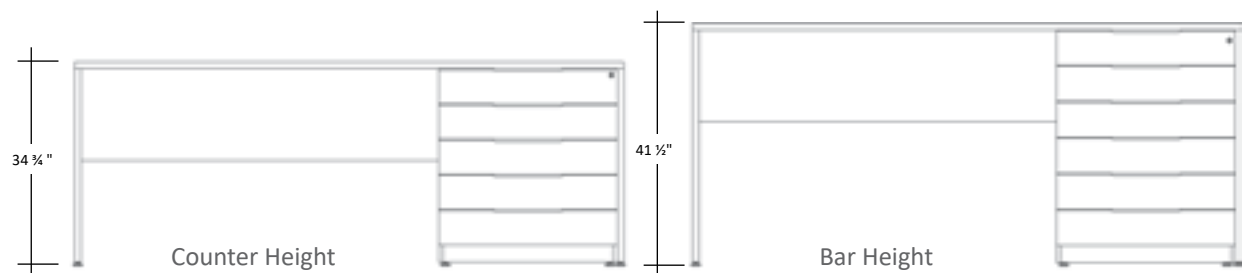
To specify, add AC-LOCK-VRSA-UKEY for \$67 list.

## grade 1

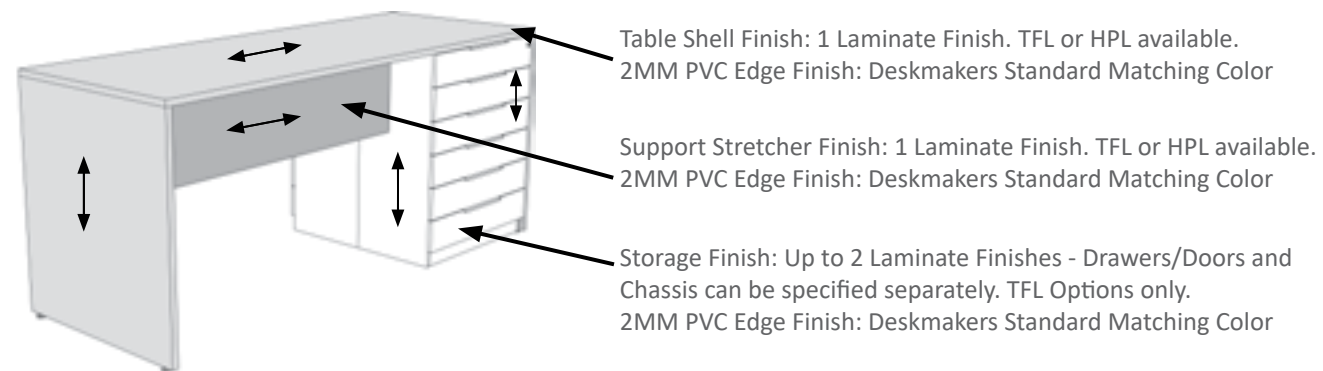


### details

- Available in 2 depths, 2 heights, and 2 lengths. No custom sizes available.
- All 1-1/8" thick panels in TFL or HPL with Deskmakers standard 2MM PVC edge banding.
- Top over end panel construction.
- 16" high dual stretchers available.
- Adjustable levelers.
- Ships unassembled.



### finishes and grain direction

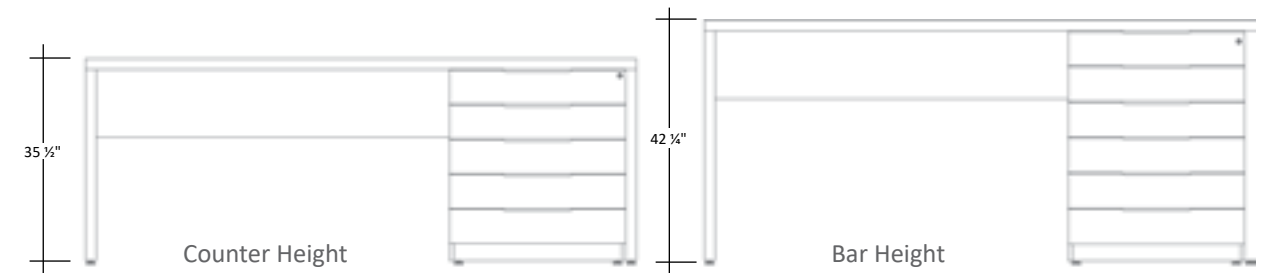


## grade 2

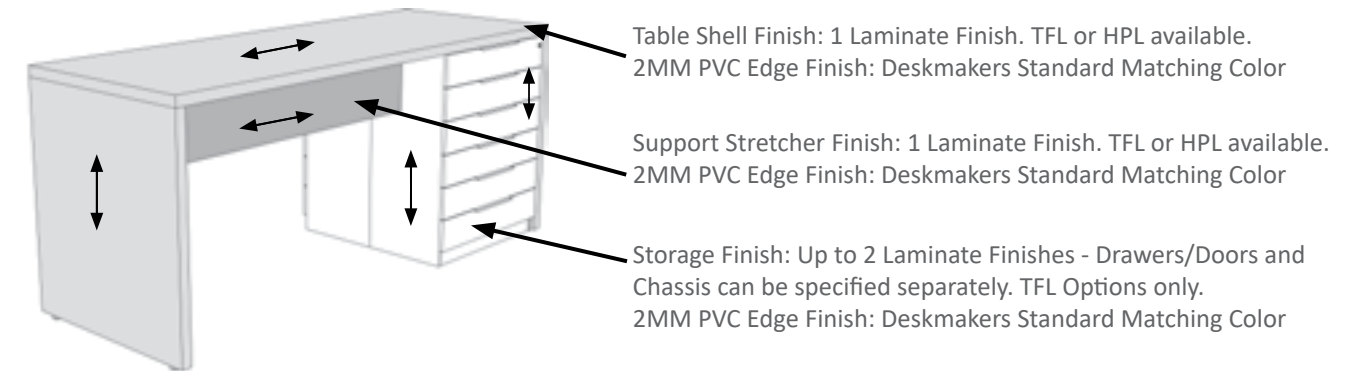


### details

- Available in 2 depths, 2 heights, and 2 lengths. No custom sizes available.
- 1-7/8" thick top and end panels in TFL or HPL with Deskmakers standard 2MM PVC edge banding.
- Top over end panel construction.
- 12" high dual stretchers available.
- Adjustable levelers.
- Ships unassembled.
- Tables over 96" available in Southern California and/or will call only.

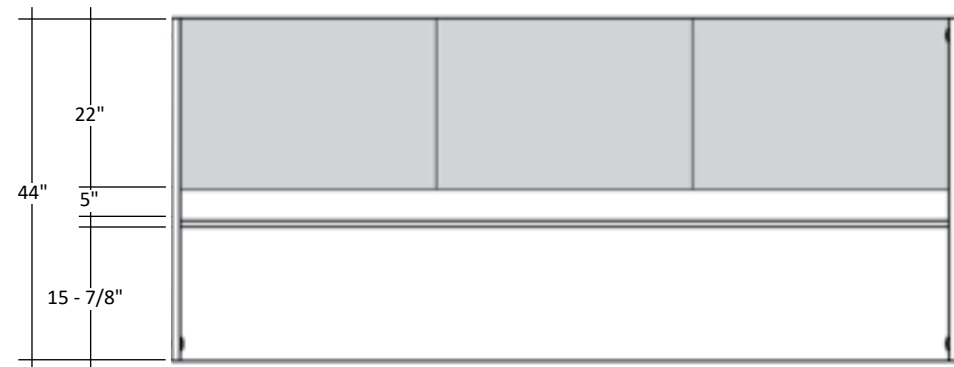
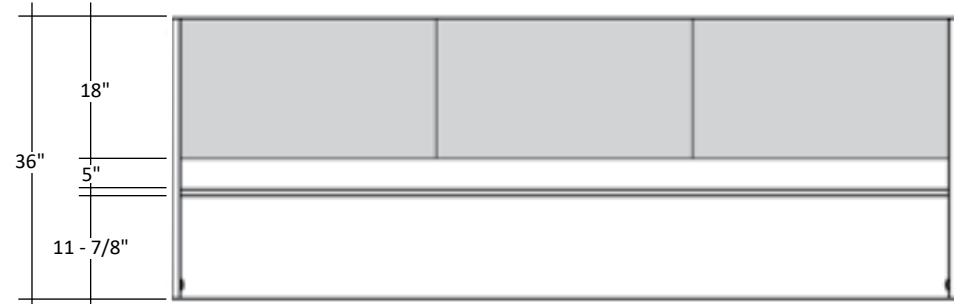


### finishes and grain direction

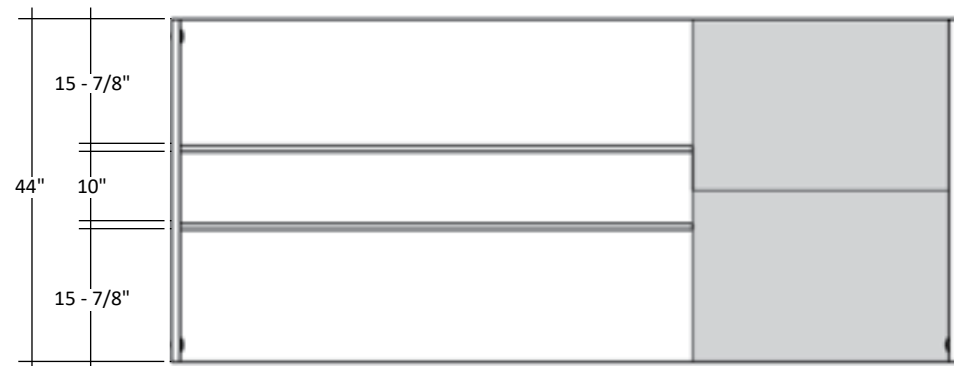


## clear knee space

### single sided parsons tables



### double sided parsons tables



## grommet locations

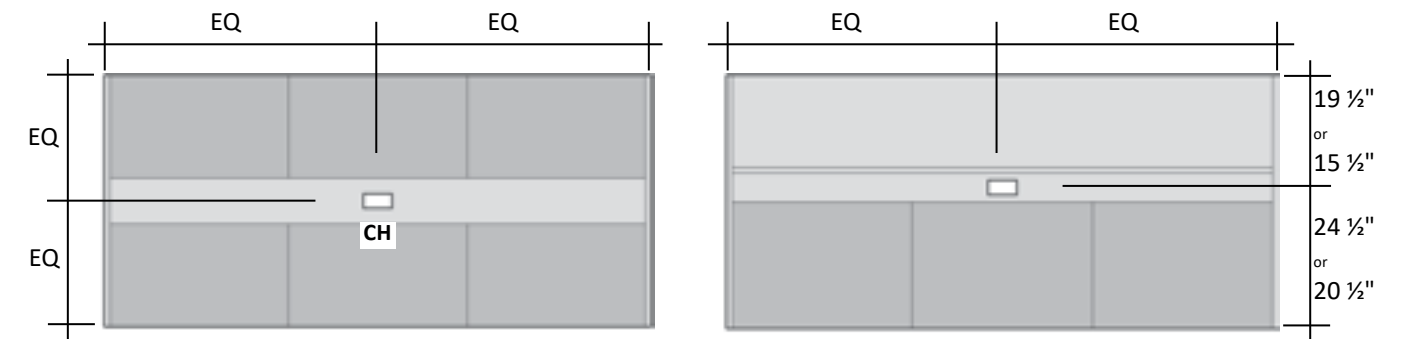
### grommet placement:

Double sided tables have grommets centered on depth of table top and can be specified using location codes. For single sided table orders, please include the diagram below of the desired grommet location.

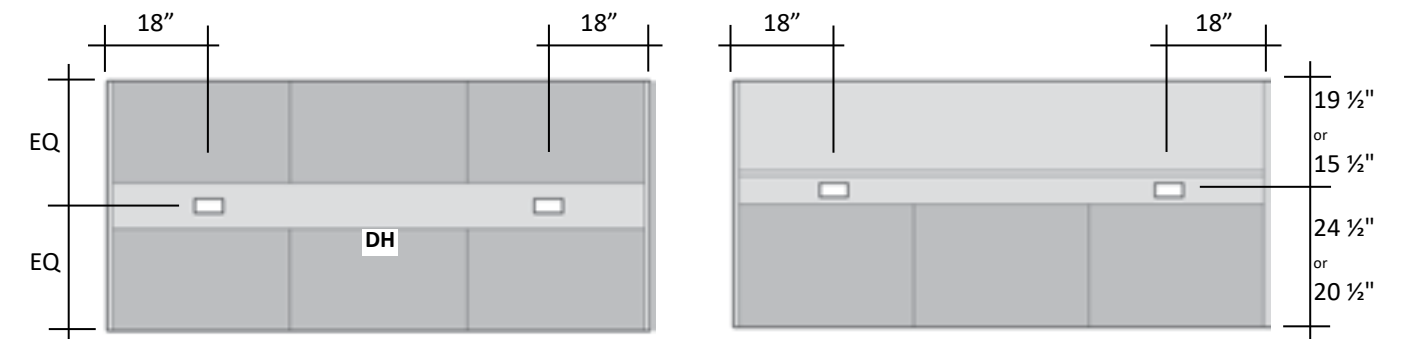
Grommets located 5" closer to seating side on single sided tables.

All dimensions are to the center of grommet cutout. Completely concealed wire management only offered on double sided tables using 18" deep storage under 44" deep tables. Power units other than those recommended in this price list may not be compatible. Please check with Design Department.

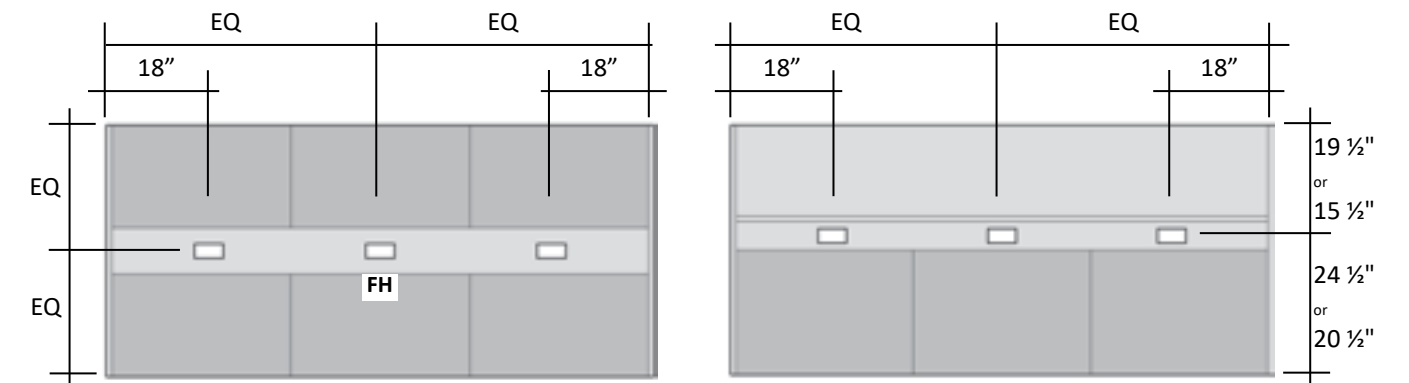
### center grommet placement



### end left and end right grommet placement



### center and end grommet placement\*

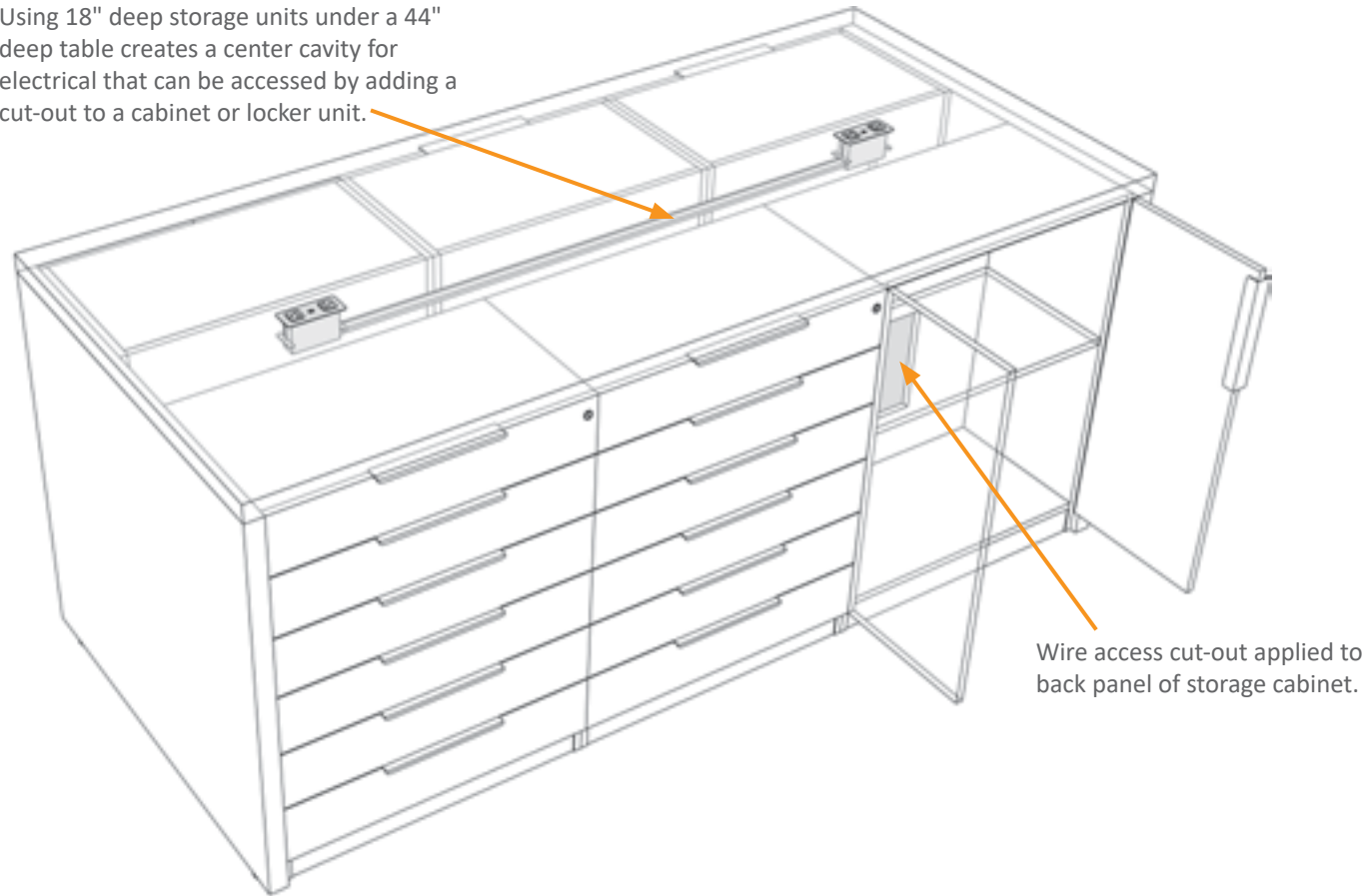


\*For 3-bay tables only

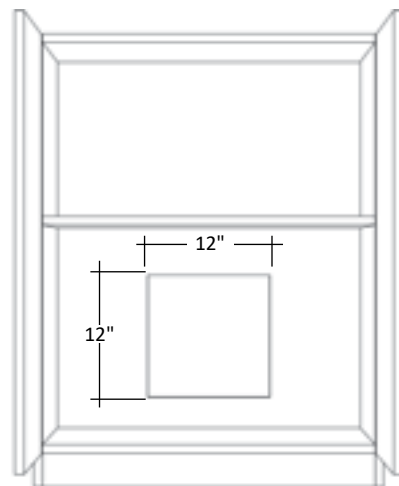
For specific information and pricing on grommets please see the Electrical Pricebook.

## wire management

Using 18" deep storage units under a 44" deep table creates a center cavity for electrical that can be accessed by adding a cut-out to a cabinet or locker unit.



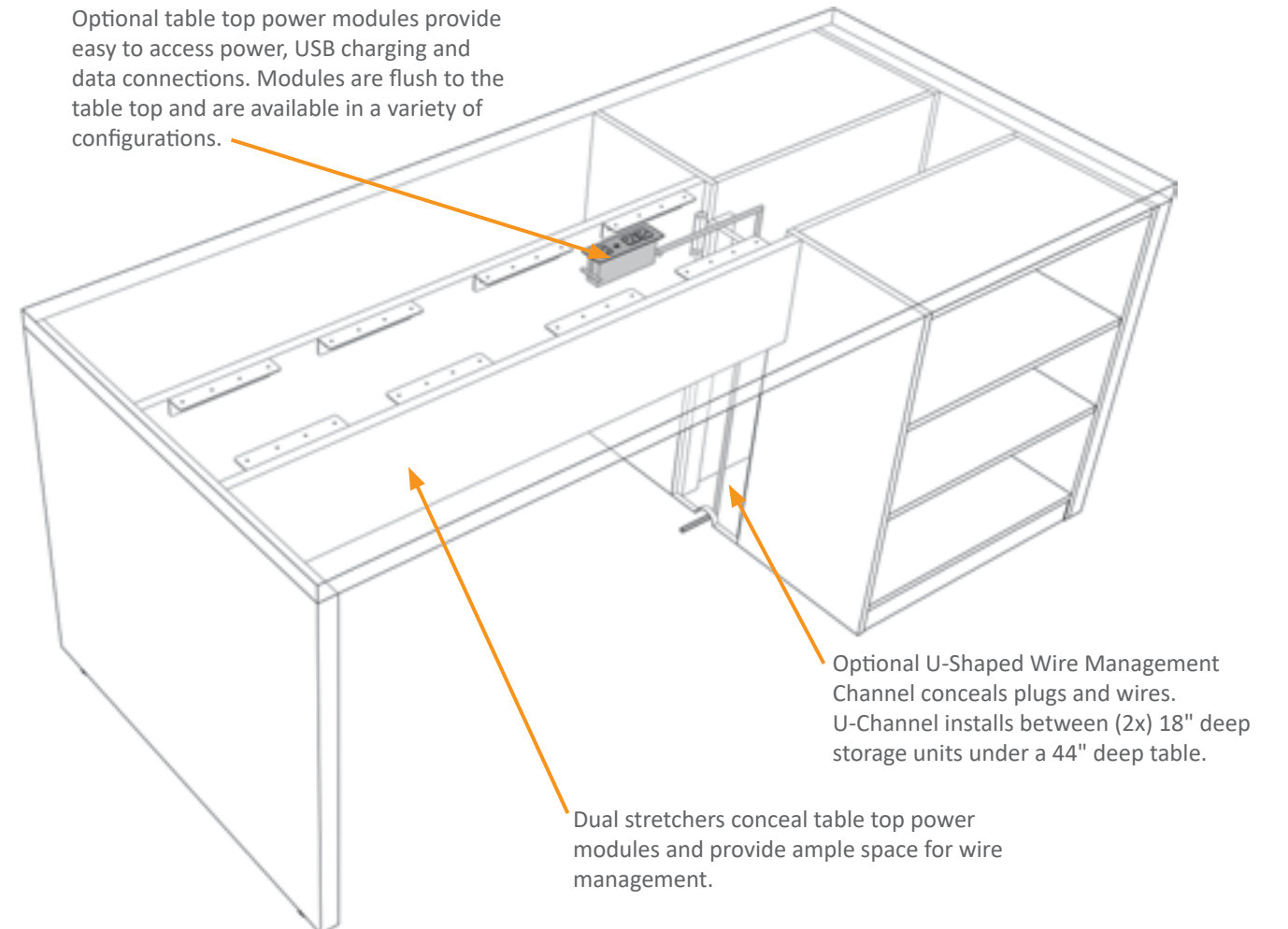
### wire access cut-out



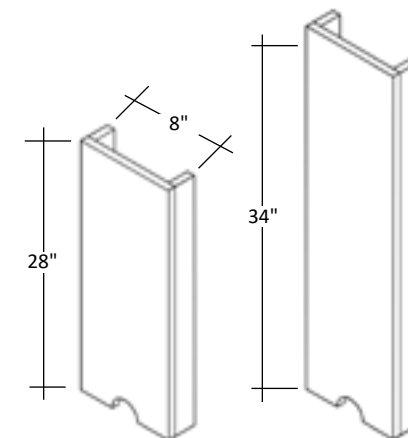
Wire access cut-out will not be edgebanded and only offered on units with doors. Wire access cut-out specified using sku OP-CUT1-12 for \$374 (each cut-out). For orders with multiple styles of door storage, indicate which storage should receive cut-out.

## wire management

Optional table top power modules provide easy to access power, USB charging and data connections. Modules are flush to the table top and are available in a variety of configurations.



### u-shaped wire management channel



Wire management u-channels offered in two sizes corresponding with counter and bar height tables. U-channel can be used for grade 1 and grade 2 tables.

PS-UCHN-C for \$405  
PS-UCHN-B for \$436

# Avalon

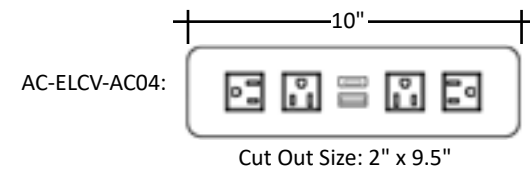
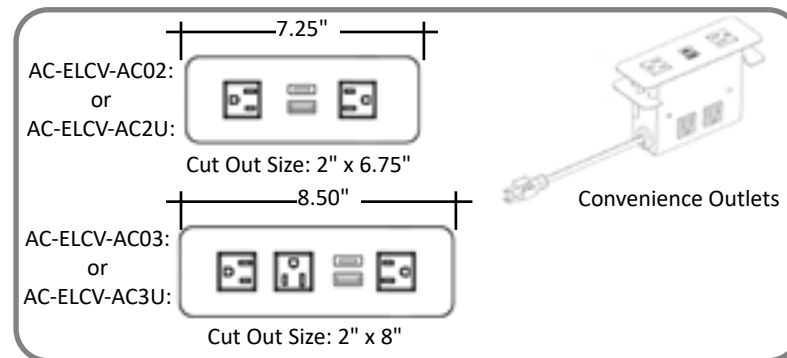
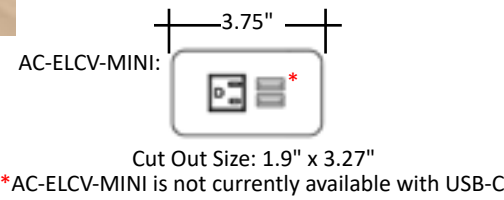
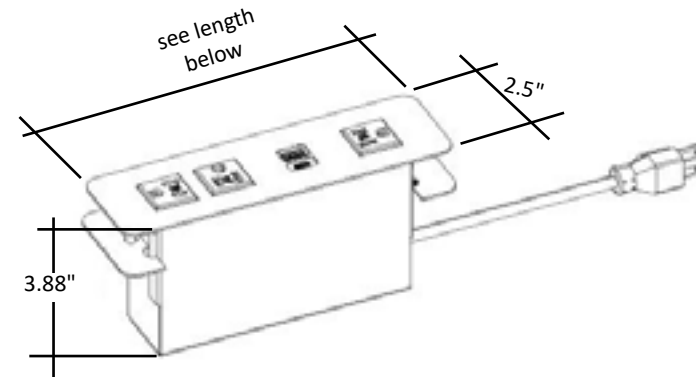
## Surface Mounted Power and USB-C Unit

AC-ELCV-MINI, AC-ELCV-AC02, AC-ELCV-AC2U, AC-ELCV-AC03, AC-ELCV-AC3U, AC-ELCV-AC04

See Electrical Pricebook for more options



(Discontinued AC-ELCV-02 vs AC-ELCV-AC02 - note the size difference.)



### Specifications

- Multiple configurations available
- Spill resistant power outlets
- (1) 2.1A USB charging port
- (1) 60-watt USB-C charging port
- (1) 108" long 15amp plug cord
- Convenience outlets available on select sizes
- Tension mount
- Available finishes: Black, Silver (shown) and White

### For Use With:

- Conference Tables
- Training Tables
- Parsons Tables
- TeamWorx Worksurfaces
- Hover Worksurfaces

### Rectangle Grommet Retrofit



AC-ELCV-MINI is able to fit into the cutout for AC-GROM-35. This allows power to be added a later date.



# Avalon

## Surface Mounted Power and USB Unit



Model Number	Color	Price
AC-ELCV-MINI-WT	white	\$583
AC-ELCV-MINI-BK	black	\$583
AC-ELCV-MINI-SM	silver	\$583

- Includes one power outlet and (2) 2.1A USB charging ports.
- Bendable bracket installation. Fits in cutout for AC-GROM-35 rectangle grommet.
- 108" long 15amp cord with plug.

Model Number	Color	Price
<b>Regular</b>		
AC-ELCV-AC02-WT	white	\$702
AC-ELCV-AC02-BK	black	\$702
AC-ELCV-AC02-SM	silver	\$702

- w/ Convenience Outlets (2)**
- |                 |        |       |
|-----------------|--------|-------|
| AC-ELCV-AC2U-WT | white  | \$909 |
| AC-ELCV-AC2U-BK | black  | \$909 |
| AC-ELCV-AC2U-SM | silver | \$909 |
- All units include two surface power outlets, (1) 2.4A USB charging port and (1) 60W USBC charging port.
  - Clamp mount installation.
  - 108" long 15amp cord with plug.
  - PLEASE NOTE: images to left show the previous USB A/A model and are for color reference only.

Model Number	Color	Price
<b>Regular</b>		
AC-ELCV-AC03-WT	white	\$896
AC-ELCV-AC03-BK	black	\$896
AC-ELCV-AC03-SM	silver	\$896

- w/ Convenience Outlets (2)**
- |                 |        |         |
|-----------------|--------|---------|
| AC-ELCV-AC3U-WT | white  | \$1,154 |
| AC-ELCV-AC3U-BK | black  | \$1,154 |
| AC-ELCV-AC3U-SM | silver | \$1,154 |
- All units Include three surface power outlets, (1) 2.4A USB charging port and (1) 60W USBC charging port.
  - Clamp mount installation.
  - 108" long 15amp cord with plug.
  - PLEASE NOTE: images to left show the previous USB A/A model and are for color reference only.

Model Number	Color	Price
AC-ELCV-AC04-WT	white	\$891
AC-ELCV-AC04-BK	black	\$891
AC-ELCV-AC04-SM	silver	\$891

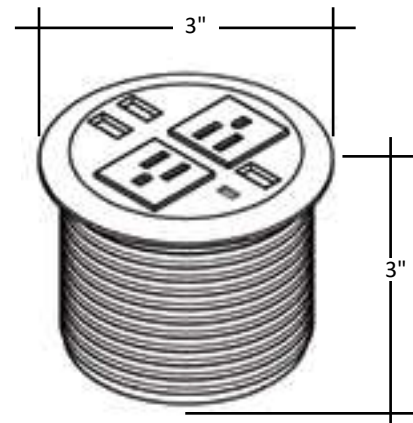
- Includes four power outlets, (1) 2.4A USB charging port and (1) 60W USBC charging port.
- Clamp mount installation.
- 108" long 15amp cord with plug.
- PLEASE NOTE: images to left show the previous USB A/A model and are for color reference only.



# Avalon

## Round Surface Mounted Grommet

AC-PWRG-06, AC-PWRG-02



### Specifications

- Round 3" grommet hole
- (2) Spill resistant power outlets
- (3) 2.1A USB charging ports
- (1) USB-C charging port
- (1) 72" long 15amp plug cord
- (1) Convenience outlet underneath unit
- Mounting Ring
- Available finishes: Black, and White

Model Number	Color	Price
AC-PWRG-06-WT	white	\$144
AC-PWRG-06-BK	black	\$144

## Slim Under-Desk USB Power

AC-UPWR-USB



(Blue LED glows softly when unit is powered and brightly when in use.)

### Specifications

- Single size and configuration available
- (1) USB-A 5V 2.4A 10W charging port
- (1) USB-C 15W charging port
- Undermount unit includes brackets and screws
- (1) 72" long 15amp cord with DC end/AC Adaptor
- Available finishes: White, Black and Grey
- Single unit - not daisy-chainable. For a system solution please contact customer service.

Model Number	Color	Price
AC-UPWR-USB-BK	black	\$387
AC-UPWR-USB-GY	grey	\$387
AC-UPWR-USB-WT	white	\$387

# Avalon

## Cordless Charging Unit

AC-ELAC-QI

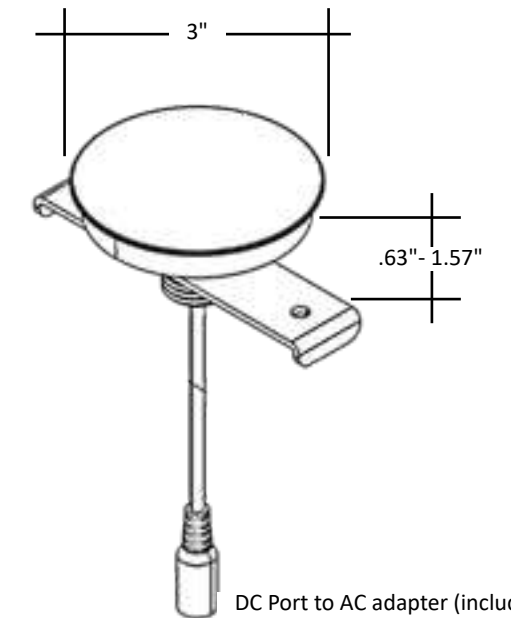
See Electrical Pricebook for pricing



### Specifications

- Cordless charging capability
- 10W Qi fast charge compatible with Samsung and Apple\*
- Fits into standard 2.5" grommet cutout
- (1) 78" long 15amp cord with DC end/AC Adaptor
- Steel mounting plate
- Black faux leather soft-touch finish

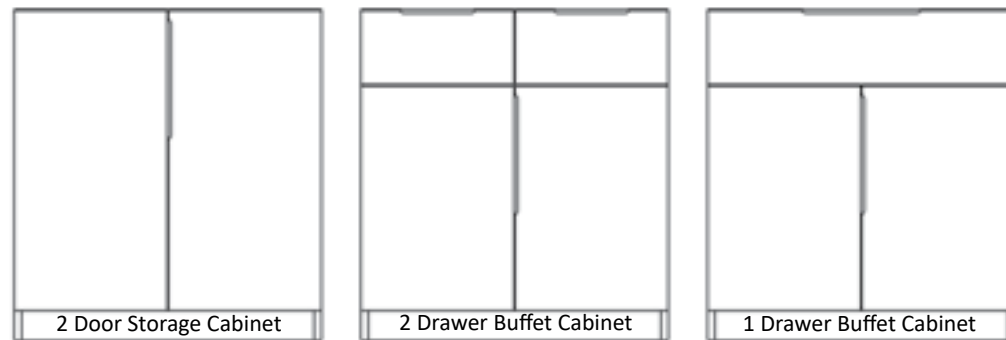
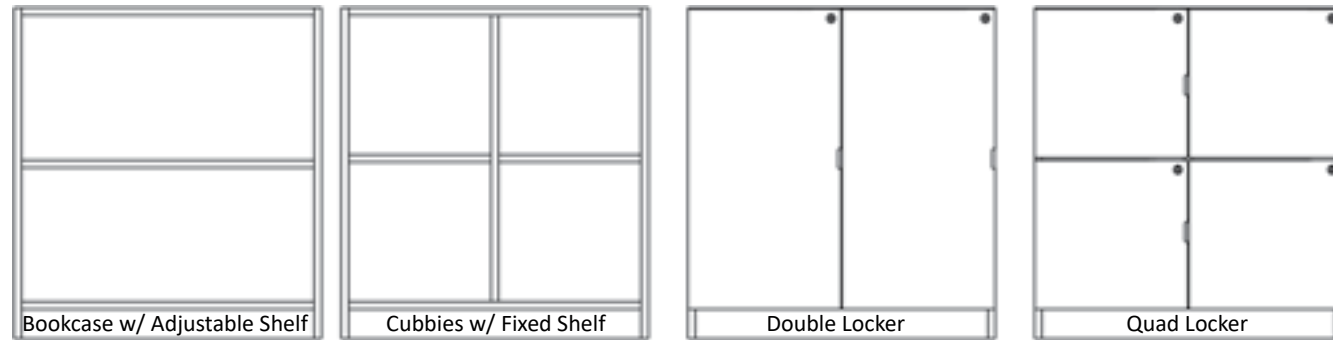
\*For complete list of compatible devices, contact customer service.



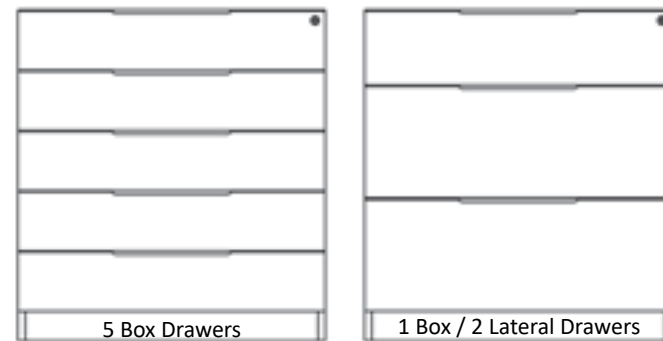
DC Port to AC adapter (included)

Model Number	Color	Price
AC-ELAC-QI	black	\$216

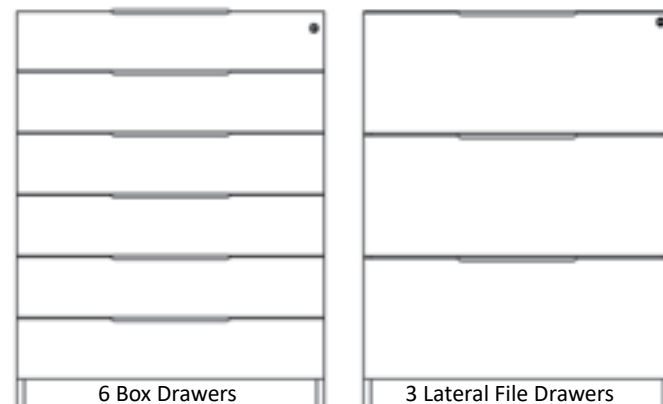
**open, locker, and cabinet storage - available for both heights**



**drawer storage - available for counter height only**



**cabinet storage - available for bar height only**

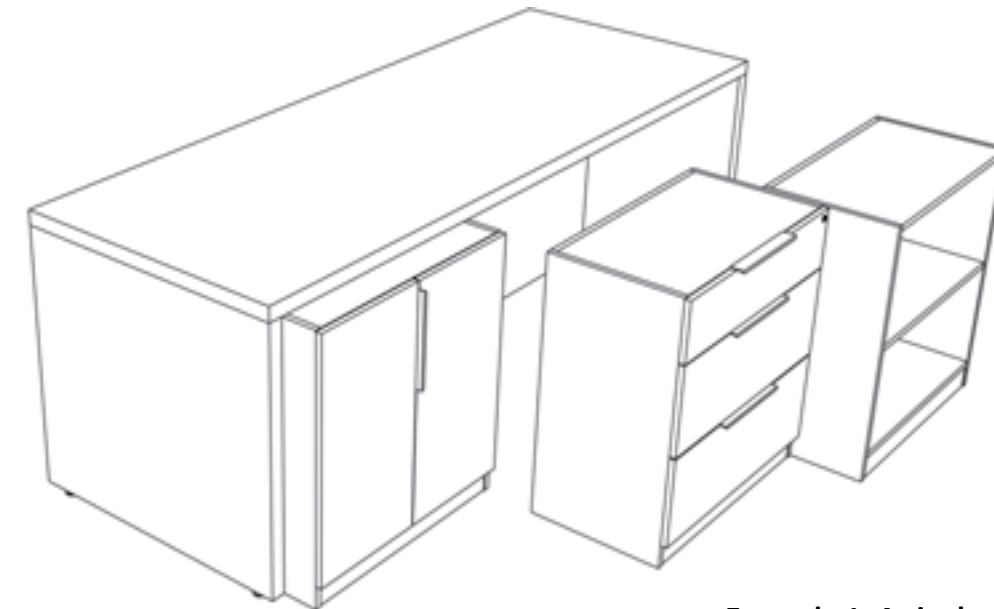


- All cabinets with left and right models are shown as left models.

**How to Specify**

Avalon is available in 2 heights, 2 widths, and 2 lengths. The lengths allow for 2 or 3 storage bays per side. Once a frame is selected, then a storage unit or modesty should be selected to fill each bay. Height and depth of table will determine which size of storage unit should be used. All storage is the same width. Grade of table frame will not affect storage selection.

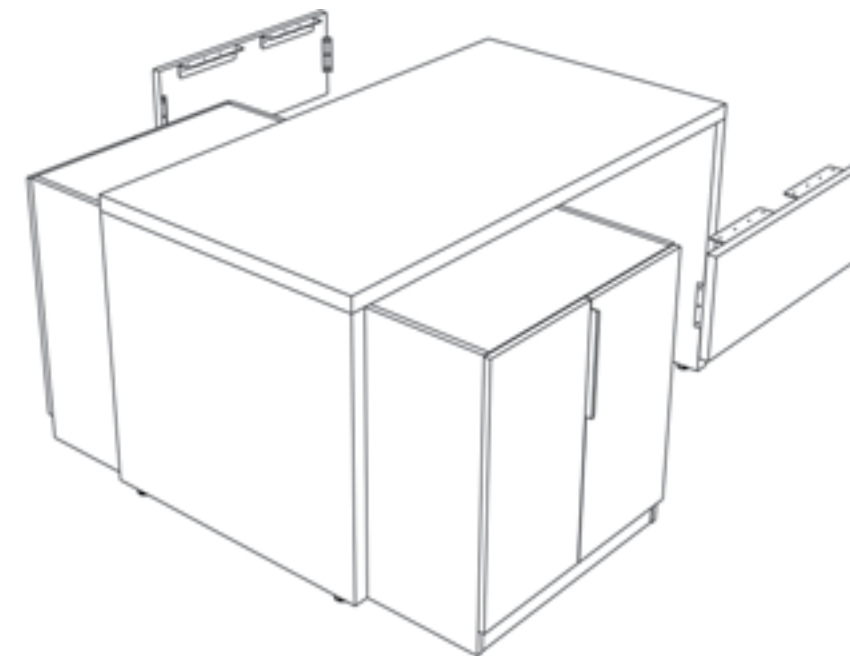
- Counter Height tables will take 34" storage, Bar Height will take 40".
- 36" deep tables should be filled with 18" deep storage.
- 44" deep tables can use 22" deep storage, or 18" deep to create a channel in the center for electrical.
- Partial height modesties are sold in sets of 2. Full height modesties may be specified individually.
- All components (except modesties) includes leveling glides. Levelers will add 3/4" in height.



**Specification:**

1	PS-SS2C-3698-T1
1	PS-DSTC-1832-35-T1
1	PS-DBLF-1832-35-T1
1	PS-DBCS-1832-35-T1

**Example 1: A single sided table with 3 storage units.**



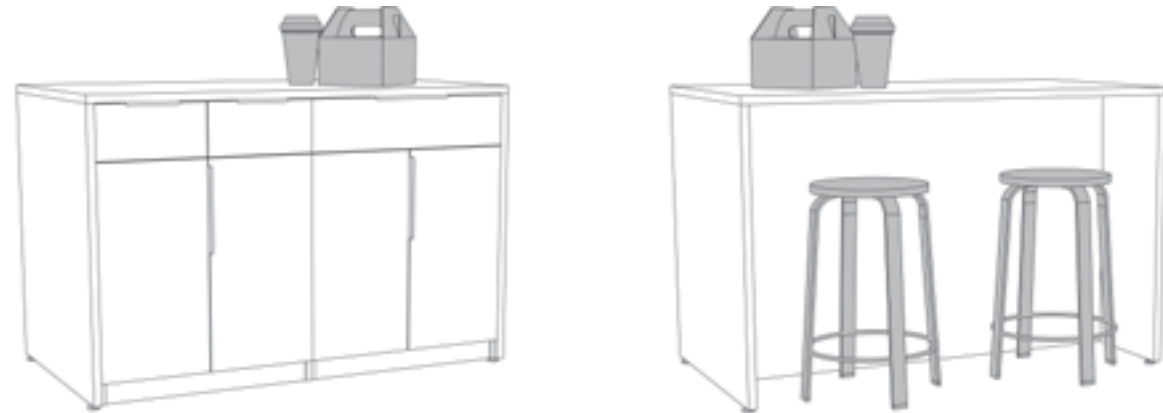
**Specification:**

1	PS-OS2C-3666-T1
2	PS-DSTC-1832-35-T1
1	PS-G2ST-1232-T1*

**Example 2: A double sided table with 2 storage units and 2 partial height modesties\*.**

\*Partial height modesties are sold in sets of 2.

## configurations



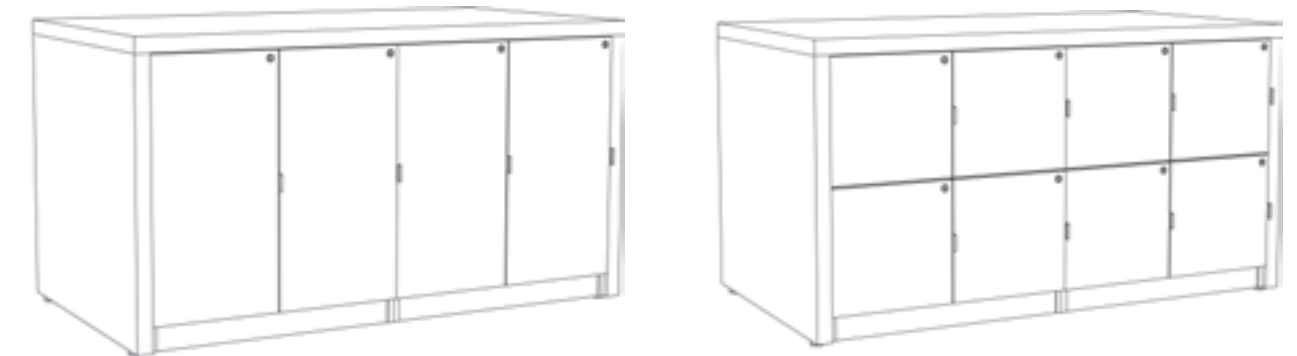
buffet counter



library station



design center



locker bank



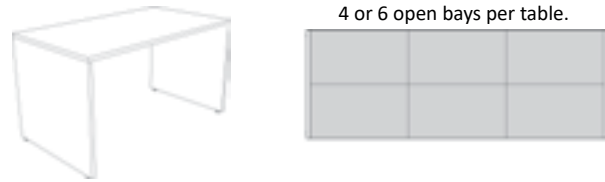
library bar



paper-work center

## GRADE 1

### Open Shell

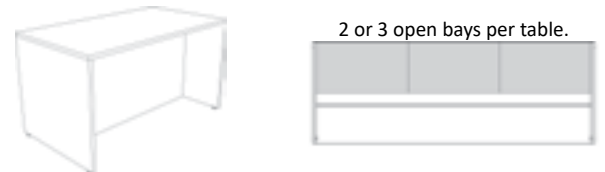


Model Number	Width	Length	Height	TFL (T1)	TFL (T2)	HPL (H1)
<b>Counter Height</b>						
PS-OS1C-3665-??	36	65 1/4	34 3/4	\$1,938	\$2,132	\$4,081
PS-OS1C-3696-??	36	96 3/4	34 3/4	N/A	N/A	\$5,053
PS-OS1C-4465-??	44	65 1/4	34 3/4	\$2,678	\$2,946	\$5,637
PS-OS1C-4496-??	44	96 3/4	34 3/4	N/A	N/A	\$6,049
<b>Bar Height</b>						
PS-OS1B-3665-??	36	65 1/4	41 1/2	\$1,988	\$2,187	\$4,185
PS-OS1B-3696-??	36	96 3/4	41 1/2	N/A	N/A	\$5,341
PS-OS1B-4465-??	44	65 1/4	41 1/2	\$2,684	\$2,952	\$5,650
PS-OS1B-4496-??	44	96 3/4	41 1/2	N/A	N/A	\$6,065

- 1-1/8" thick panels are TFL or HPL with Deskmakers standard 2MM PVC edge banding, HPL self edge not available.
- Top over end panel construction, adjustable levelers.
- Ships unassembled.
- Please note some sizes are unavailable in TFL because the table top exceeds the 96" material size.

## GRADE 1

### Single Sided Shell

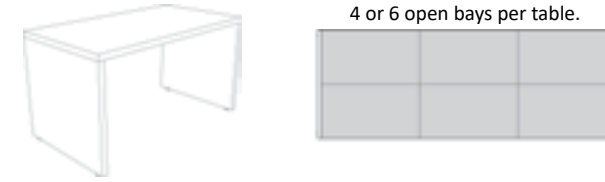


Model Number	Width	Length	Height	TFL (T1)	TFL (T2)	HPL (H1)
<b>Counter Height</b>						
PS-SS1C-3665-??	36	65 1/4	34 3/4	\$2,756	\$3,032	\$5,991
PS-SS1C-3696-??	36	96 3/4	34 3/4	N/A	N/A	\$6,963
PS-SS1C-4465-??	44	65 1/4	34 3/4	\$3,496	\$3,845	\$7,549
PS-SS1C-4496-??	44	96 3/4	34 3/4	N/A	N/A	\$7,969
<b>Bar Height</b>						
PS-SS1B-3665-??	36	65 1/4	41 1/2	\$2,878	\$3,166	\$6,105
PS-SS1B-3696-??	36	96 3/4	41 1/2	N/A	N/A	\$7,261
PS-SS1B-4465-??	44	65 1/4	41 1/2	\$3,580	\$3,938	\$7,570
PS-SS1B-4496-??	44	96 3/4	41 1/2	N/A	N/A	\$7,987

- 1-1/8" thick panels are TFL or HPL with Deskmakers standard 2MM PVC edge banding, HPL self edge not available.
- Top over end panel construction. Full height modesty is inset about 12" on the 36" deep table, and about 16" on the 44" deep table.
- Adjustable levelers.
- Ships unassembled.
- Please note some sizes are unavailable in TFL because the table top exceeds the 96" material size.

## GRADE 2

### Open Shell

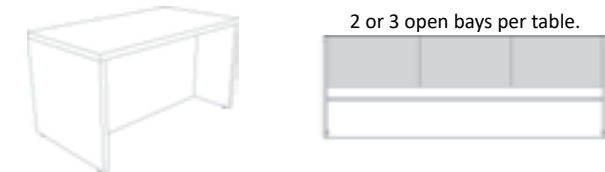


Model Number	Width	Length	Height	TFL (T1)	TFL (T2)	HPL (H1)
<b>Counter Height</b>						
PS-OS2C-3666-??	36	66 3/4	35 1/2	\$4,550	\$5,005	\$7,620
PS-OS2C-3698-??	36	98 1/4	35 1/2	N/A	N/A	\$9,970
PS-OS2C-4466-??	44	66 3/4	35 1/2	\$5,077	\$5,584	\$8,501
PS-OS2C-4498-??	44	98 1/4	35 1/2	N/A	N/A	\$11,161
<b>Bar Height</b>						
PS-OS2B-3666-??	36	66 3/4	42 1/4	\$4,687	\$5,156	\$7,849
PS-OS2B-3698-??	36	98 1/4	42 1/4	N/A	N/A	\$10,114
PS-OS2B-4466-??	44	66 3/4	42 1/4	\$5,214	\$5,735	\$8,717
PS-OS2B-4498-??	44	98 1/4	42 1/4	N/A	N/A	\$11,305

- 1-7/8" thick panels are TFL or HPL with Deskmakers standard 2MM PVC edge banding, HPL self edge not available.
- Top over end panel construction, adjustable levelers.
- Ships unassembled.
- Please note some sizes are unavailable in TFL because the table top exceeds the 96" material size.

## GRADE 2

### Single Sided Shell



Model Number	Width	Length	Height	TFL (T1)	TFL (T2)	HPL (H1)
<b>Counter Height</b>						
PS-SS2C-3666-??	36	66 3/4	35 1/2	\$5,368	\$5,905	\$9,531
PS-SS2C-3698-??	36	98 1/4	35 1/2	N/A	N/A	\$10,913
PS-SS2C-4466-??	44	66 3/4	35 1/2	\$5,895	\$6,484	\$10,411
PS-SS2C-4498-??	44	98 1/4	35 1/2	N/A	N/A	\$12,104
<b>Bar Height</b>						
PS-SS2B-3666-??	36	66 3/4	42 1/4	\$5,577	\$6,135	\$9,761
PS-SS2B-3698-??	36	98 1/4	42 1/4	N/A	N/A	\$11,058
PS-SS2B-4466-??	44	66 3/4	42 1/4	\$6,104	\$6,714	\$10,629
PS-SS2B-4498-??	44	98 1/4	42 1/4	N/A	N/A	\$12,250

- 1-7/8" thick panels are TFL or HPL with Deskmakers standard 2MM PVC edge banding, HPL self edge not available.
- Top over end panel construction. Full height modesty is inset about 12" on the 36" deep table, and about 16" on the 44" deep table.
- Adjustable levelers.
- Ships unassembled.
- Please note some sizes are unavailable in TFL because the table top exceeds the 96" material size.

## Partial Height Stretchers - Pair



Model Number	Length	Height	TFL (T1)	TFL (T2)	HPL (H1)
<b>Grade 1</b>					
PS-G1ST-1632-??	32	16	\$421	\$463	\$781
PS-G1ST-1664-??	64	16	\$671	\$738	\$1,365
PS-G1ST-1696-??	96	16	\$688	\$757	\$1,385
<b>Grade 2</b>					
PS-G2ST-1232-??	32	12	\$360	\$396	\$638
PS-G2ST-1264-??	64	12	\$553	\$608	\$1,081
PS-G2ST-1296-??	96	12	\$569	\$626	\$1,101

- 3/4" thermofuse laminate material only. Ships with mounting hardware for securing to table frame.
- Partial height stretchers sold in pairs.
- Lengths are nominal.

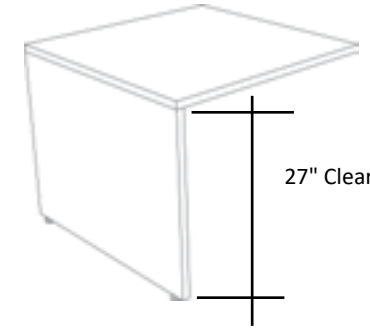
## Full Height Stretchers - Individual



Model Number	Length	Height	TFL (T1)	TFL (T2)	HPL (H1)
<b>Counter Height</b>					
PS-FHST-3432-??	32	33 5/8	\$503	\$553	\$1,054
PS-FHST-3464-??	64	33 5/8	\$818	\$900	\$1,911
PS-FHST-3496-??	96	33 5/8	\$896	\$986	\$1,920
<b>Bar Height</b>					
PS-FHST-4132-??	32	40 3/8	\$505	\$556	\$1,056
PS-FHST-4164-??	64	40 3/8	\$890	\$979	\$1,912
PS-FHST-4196-??	96	40 3/8	\$898	\$987	\$1,922

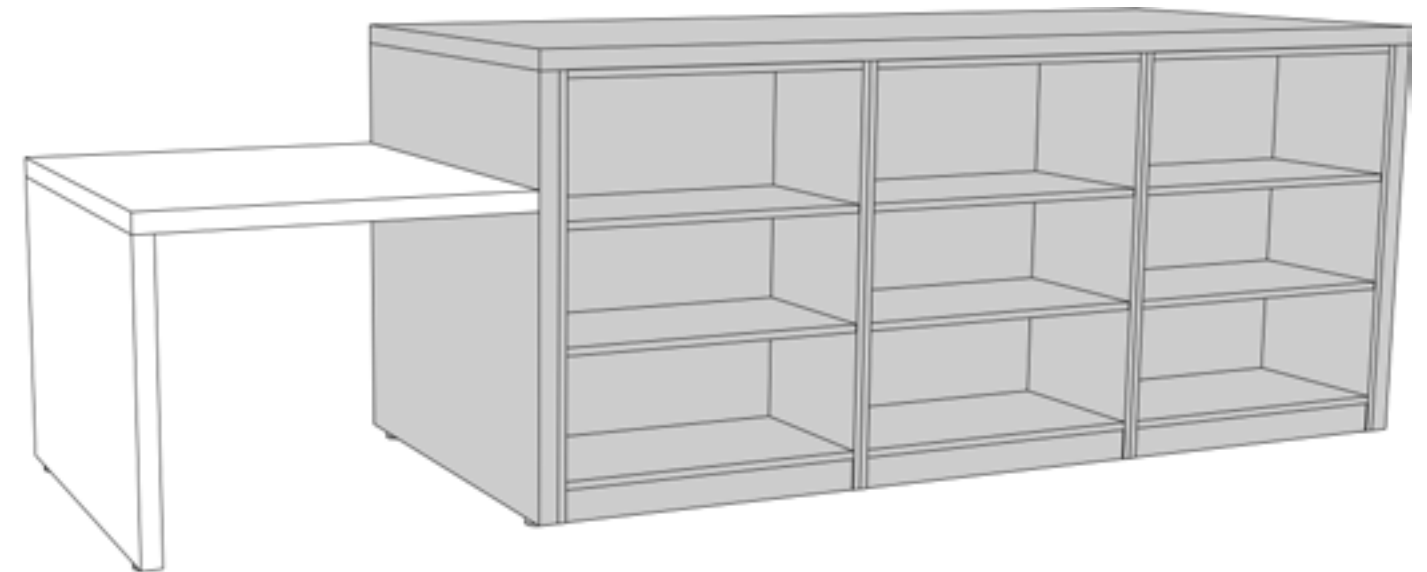
- 3/4" thermofuse laminate material only. Ships with mounting hardware for securing to table.
- Full height stretchers sold individually.
- Lengths are nominal.

## ADA Add-on Counter



Model Number	Width	Length	Height	TFL (T1)	TFL (T2)	HPL (H1)
<b>Grade 1</b>						
PS-ADA1-3630-??	36	30	29	\$951	\$1,046	\$1,983
PS-ADA1-3636-??	36	36	29	\$993	\$1,093	\$2,032
PS-ADA1-4430-??	44	30	29	\$993	\$1,093	\$2,034
PS-ADA1-4436-??	44	36	29	\$1,002	\$1,102	\$2,043
<b>Grade 2</b>						
PS-ADA2-3630-??	36	30	29	\$1,679	\$1,847	\$3,889
PS-ADA2-3636-??	36	36	29	\$1,688	\$1,857	\$3,900
PS-ADA2-4430-??	44	30	29	\$1,691	\$1,860	\$3,900
PS-ADA2-4436-??	44	36	29	\$1,699	\$1,869	\$3,914

- Top over end panel construction. Material thickness will match table according to grade.
- Add-on counter will attach to end panel of main table via L-brackets.



## bookcase



Model Number	Width	Depth	Height	T1	T2
PS-DBCS-1832-35-??	32	18	35	\$1,049	\$1,154
PS-DBCS-2232-35-??	32	22	35	\$1,216	\$1,338
PS-DBCS-1832-41-??	32	18	41	\$1,216	\$1,338
PS-DBCS-2232-41-??	32	22	41	\$1,225	\$1,347

- Includes levelers.
- Shelf is adjustable.
- Sizes listed are nominal.

## cubbies



Model Number	Width	Depth	Height	T1	T2
PS-DCB4-1832-35-??	32	18	35	\$1,266	\$1,393
PS-DCB4-2232-35-??	32	22	35	\$1,407	\$1,547
PS-DCB4-1832-41-??	32	18	41	\$1,408	\$1,549
PS-DCB4-2232-41-??	32	22	41	\$1,422	\$1,564

- Includes levelers.
- Shelves are fixed.
- Sizes listed are nominal.

## double locker unit



Model Numbers	Width	Depth	Height	Keyed Lock		Combination Lock		Digital Lock	
				T1-K	T2-K	T1-C1	T2-C1	T1-D	T2-D
PS-DLK2-1832-35-L-??-? PS-DLK2-1832-35-R-??-?	32	18	35	\$1,575	\$1,732	\$2,353	\$2,398	\$2,712	\$2,740
PS-DLK2-2232-35-L-??-? PS-DLK2-2232-35-R-??-?	32	22	35	\$1,717	\$1,888	\$2,502	\$2,554	\$2,861	\$2,896
PS-DLK2-1832-41-L-??-? PS-DLK2-1832-41-R-??-?	32	18	41	\$1,723	\$1,895	\$2,508	\$2,561	\$2,867	\$2,903
PS-DLK2-2232-41-L-??-? PS-DLK2-2232-41-R-??-?	32	22	41	\$1,737	\$1,910	\$2,523	\$2,576	\$2,882	\$2,918

- Includes levelers.
- Keyed lock keyed randomly. For special keying please contact customer service.
- For combinations locks, at least 1 Manager's Key (AC-LOCK-COM1-MKEY \$19) and 1 Code Retrieval Tool (AC-LOCK-COM1-TOOL \$62) are required per project.
- For ADA style combination locks, specify unit as ending in -C2 for an additional \$30 per lock.
- For digital locks, at least 1 Programming Key (AC-LOCK-VRSA-PKEY \$194) and 1 Manager's Key (AC-LOCK-VRSA-MKEY \$138) are required per project.
- Digital locks are ADA by default.
- Can accommodate a wire access cut-out in back panel. Use OP-CUT1-12 for \$374 to specify.
- Sizes listed are nominal.

## quad locker unit



Model Numbers	Width	Depth	Height	Keyed Lock		Combination Lock		Digital Lock	
				T1-K	T2-K	T1-C1	T2-C1	T1-D	T2-D
PS-DLK4-1832-35-L-??-? PS-DLK4-1832-35-R-??-?	32	18	35	\$1,638	\$1,802	\$3,119	\$3,134	\$3,837	\$3,818
PS-DLK4-2232-35-L-??-? PS-DLK4-2232-35-R-??-?	32	22	35	\$1,779	\$1,957	\$3,266	\$3,289	\$3,985	\$3,973
PS-DLK4-1832-41-L-??-? PS-DLK4-1832-41-R-??-?	32	18	41	\$1,786	\$1,965	\$3,274	\$3,297	\$3,993	\$3,981
PS-DLK4-2232-41-L-??-? PS-DLK4-2232-41-R-??-?	32	22	41	\$1,800	\$1,980	\$3,289	\$3,312	\$4,007	\$3,996

- Includes levelers.
- Keyed lock keyed randomly. For special keying please contact customer service.
- For combinations locks, at least 1 Manager's Key (AC-LOCK-COM1-MKEY \$19) and 1 Code Retrieval Tool (AC-LOCK-COM1-TOOL \$62) are required per project.
- For ADA style combination locks, specify unit as ending in -C2 for an additional \$30 per lock.
- For digital locks, at least 1 Programming Key (AC-LOCK-VRSA-PKEY \$194) and 1 Manager's Key (AC-LOCK-VRSA-MKEY \$138) are required per project.
- Digital locks are ADA by default.
- Can accommodate a wire access cut-out in back panel. Use OP-CUT1-12 for \$374 to specify.
- Sizes listed are nominal.

## storage cabinet



Model Number	Width	Depth	Height	T1	T2
PS-DSTC-1832-35-??	32	18	35	\$1,318	\$1,450
PS-DSTC-2232-35-??	32	22	35	\$1,333	\$1,467
PS-DSTC-1832-41-??	32	18	41	\$1,328	\$1,461
PS-DSTC-2232-41-??	32	22	41	\$1,342	\$1,476

- Includes levelers. To add lock, use OP-LOCK-ADD for \$133.
- Includes 1 adjustable shelf. Can accommodate a wire access cut-out in back panel. Use OP-CUT1-12 for \$374 to specify.
- Sizes listed are nominal.

## buffet cabinet with single drawer



Model Number	Width	Depth	Height	T1	T2
PS-DBC1-1832-35-??	32	18	35	\$1,542	\$1,697
PS-DBC1-2232-35-??	32	22	35	\$1,642	\$1,806
PS-DBC1-1832-41-??	32	18	41	\$1,562	\$1,719
PS-DBC1-2232-41-??	32	22	41	\$1,747	\$1,921

- Includes levelers. To add lock to door section only, use OP-LOCK-ADD for \$133.
- Includes 1 adjustable shelf. Can accommodate a wire access cut-out in back panel. Use OP-CUT1-12 for \$374 to specify.
- Sizes listed are nominal.

## buffet cabinet with double drawers



Model Number	Width	Depth	Height	T1	T2
PS-DBC2-1832-35-??	32	18	35	\$1,713	\$1,884
PS-DBC2-2232-35-??	32	22	35	\$1,821	\$2,003
PS-DBC2-1832-41-??	32	18	41	\$1,839	\$2,023
PS-DBC2-2232-41-??	32	22	41	\$1,947	\$2,142

- Includes levelers. To add lock to door section only, use OP-LOCK-ADD for \$133.
- Includes 1 adjustable shelf. Can accommodate a wire access cut-out in back panel. Use OP-CUT1-12 for \$374 to specify.
- Sizes listed are nominal.

## box drawers



Model Number	Width	Depth	Height	T1	T2
PS-DBB5-1832-35-??	32	18	35	\$2,191	\$2,410
PS-DBB5-2232-35-??	32	22	35	\$2,212	\$2,433
PS-DBB6-1832-41-??	32	18	41	\$2,202	\$2,422
PS-DBB6-2232-41-??	32	22	41	\$2,267	\$2,494

- Includes levelers and lock.
- Anti-tip mechanism does not work on box drawers, it is important to secure units to frame at install.
- Sizes listed are nominal.

## lateral file drawers



Model Number	Width	Depth	Height	T1	T2
PS-DBLF-1832-35-??	32	18	35	\$1,686	\$1,854
PS-DBLF-2232-35-??	32	22	35	\$1,702	\$1,872
PS-DLF3-1832-41-??	32	18	41	\$1,694	\$1,864
PS-DLF3-2232-41-??	32	22	41	\$1,744	\$1,918

- Includes levelers and lock.
- Lateral file drawer allows for two rows front to back legal or letter filing, or one row of side to side legal filing.
- Anti-tip mechanism included.
- Sizes listed are nominal.

Please visit [Deskmakers.com](https://deskmakers.com) to view our current **Terms and Conditions**.

Please visit [Deskmakers.com](https://deskmakers.com) to view our current **Warranty**.



## Showroom Locations

### Los Angeles

DeskMakers Headquarters  
6525 Flotilla Street  
Commerce, CA 90040

---

**DeskMakers**

Phone: 323.264.2260 | Fax: 323.725.6960  
[www.deskmakers.com](http://www.deskmakers.com)