

Era Casegoods Collection

Installation Instructions

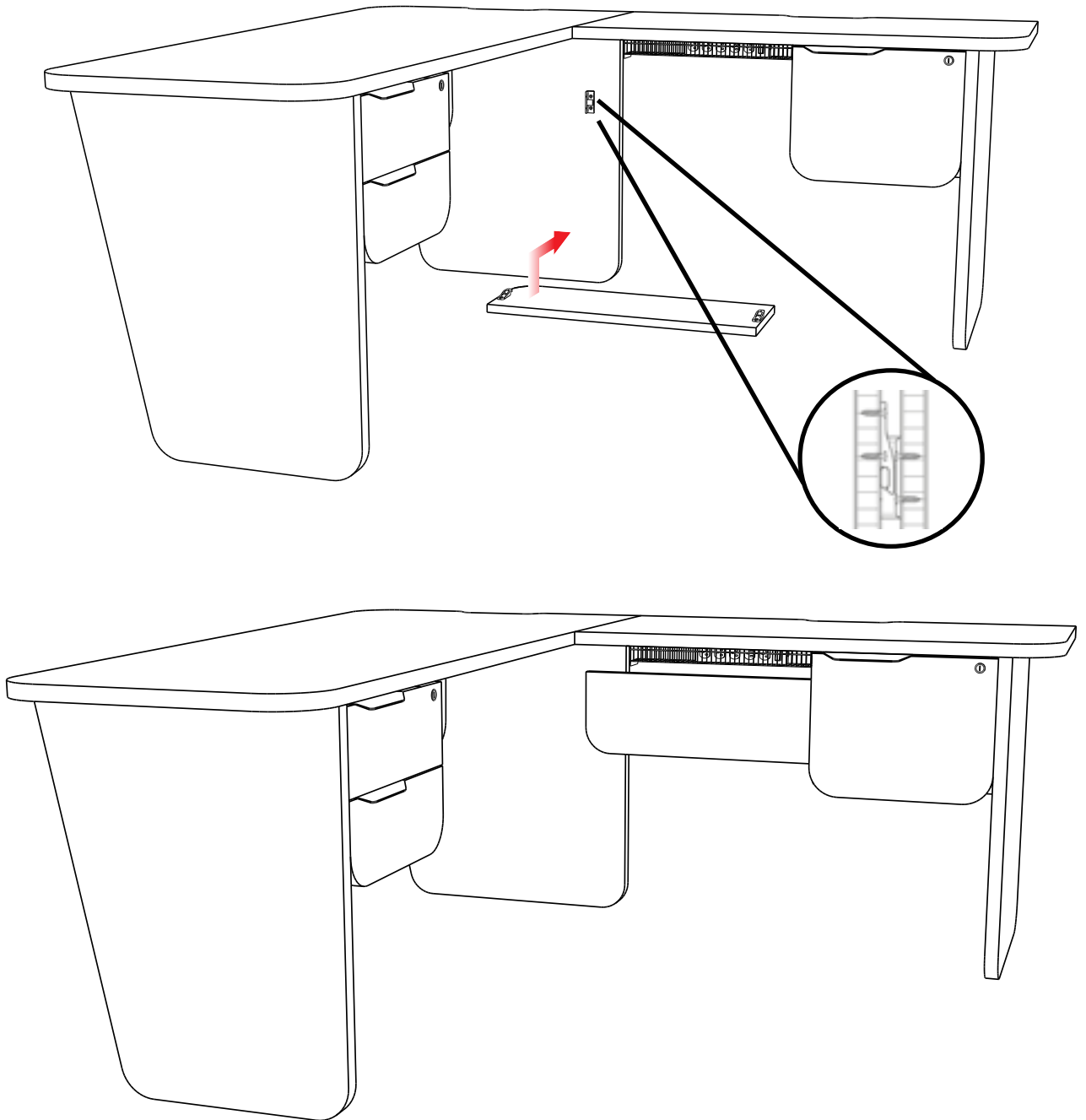


DeskMakers
Be Enabled

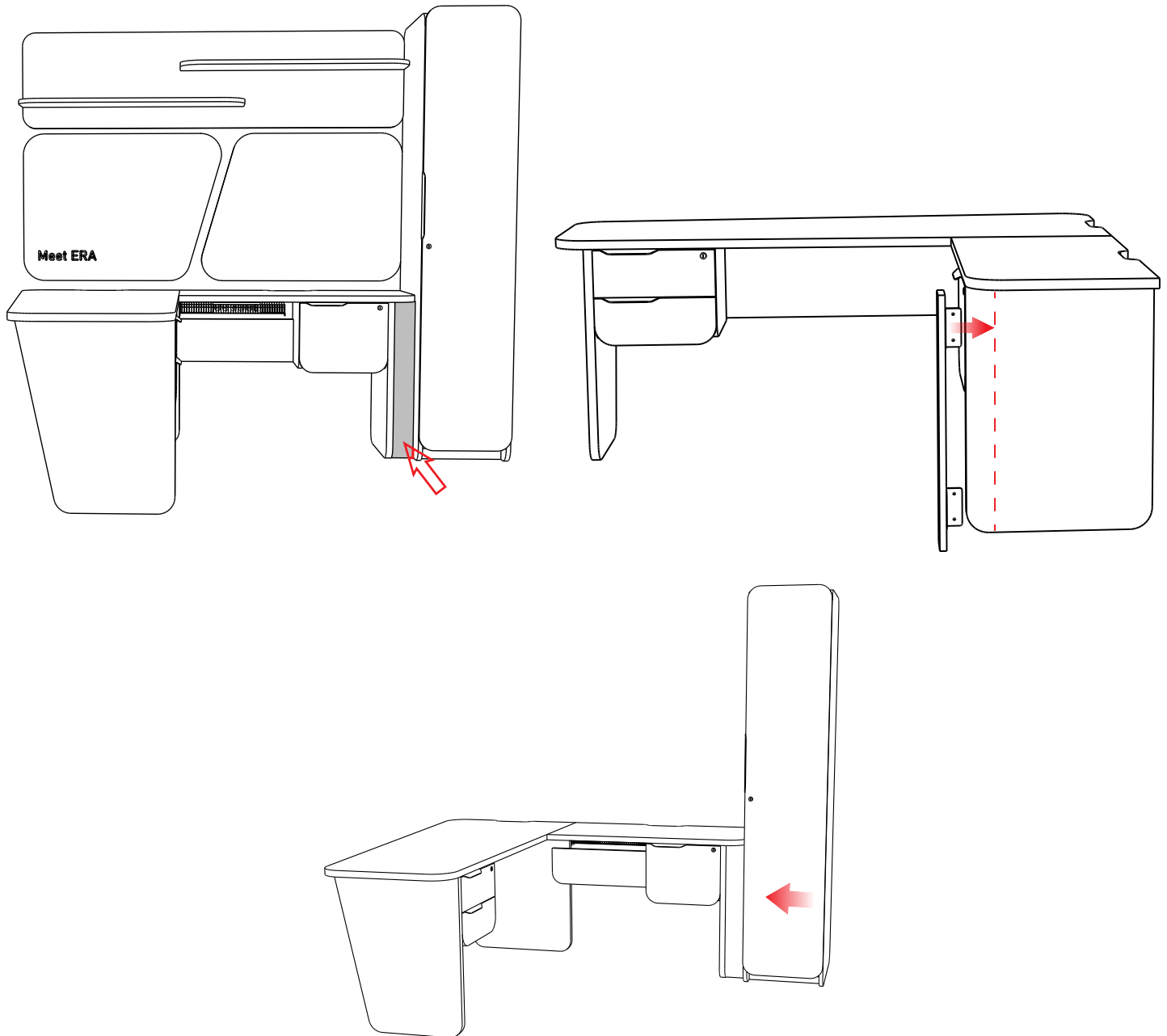
Era Casegoods Instructions

1

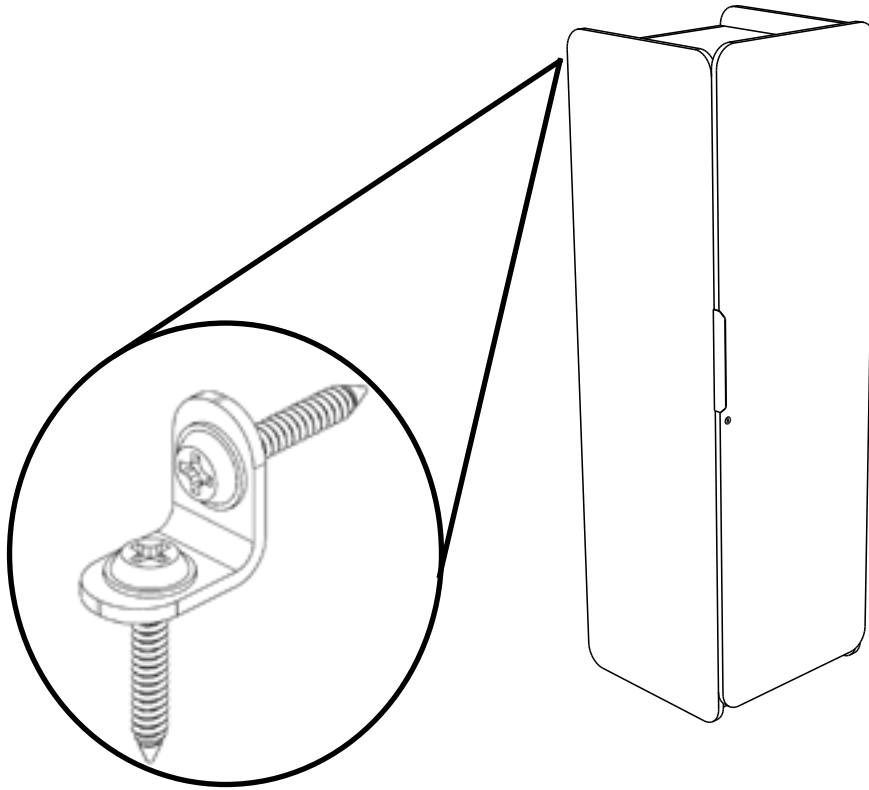
Era returns and bridges are equipped with removeable modesties. The 2-piece clip combination attaches to pre-drilled holes on the modesty and the end panels or pedestal of the connecting units. The position of the modesty will provide a 4" gap below the worksurface.



- 2 Some Era installations may include an optional filler piece. This attaches to the furniture via the included L-brackets. It should be mounted level with or slightly behind the curve of the end panel. The filler panel attached on one side, and the adjoining furniture can be simply pushed flush.

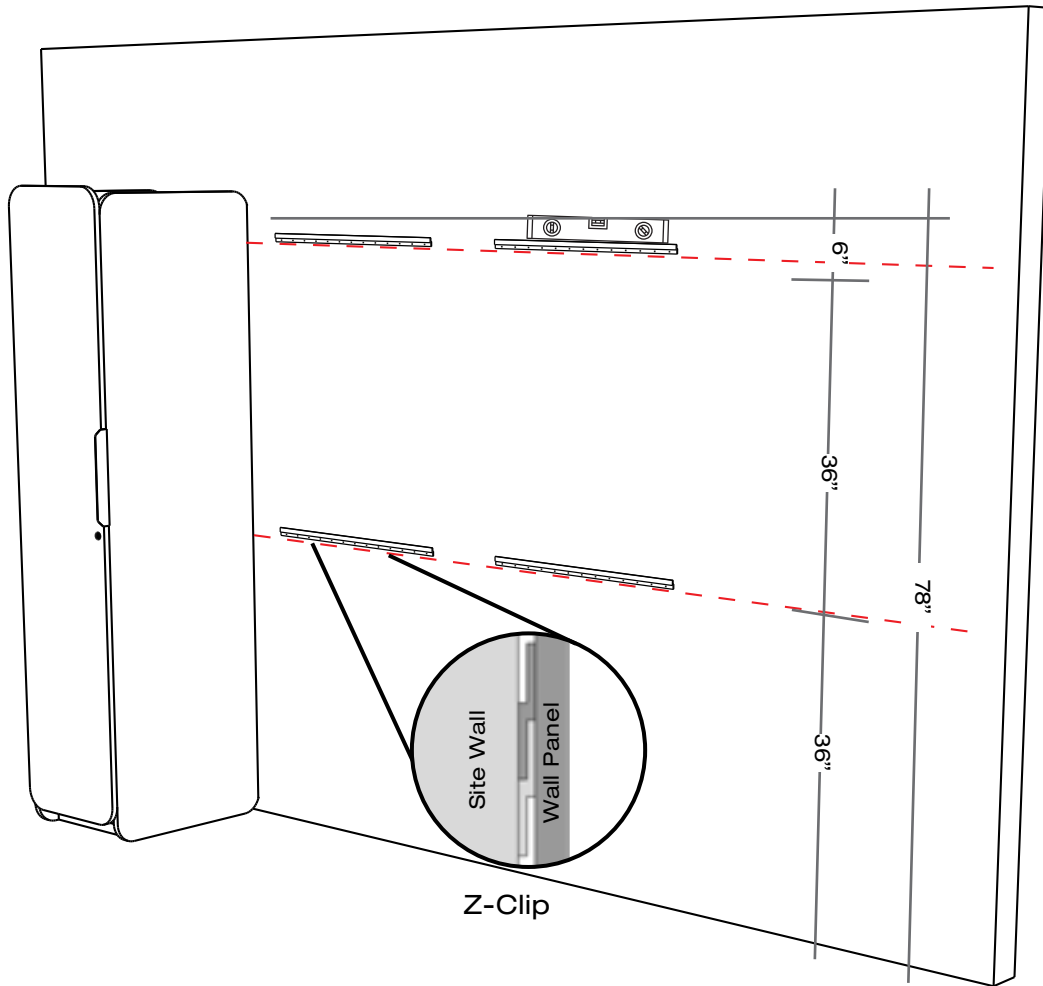


- ③ Wardrobes and tall storage cabinets should be secured to site wall with included anti-tip hardware.



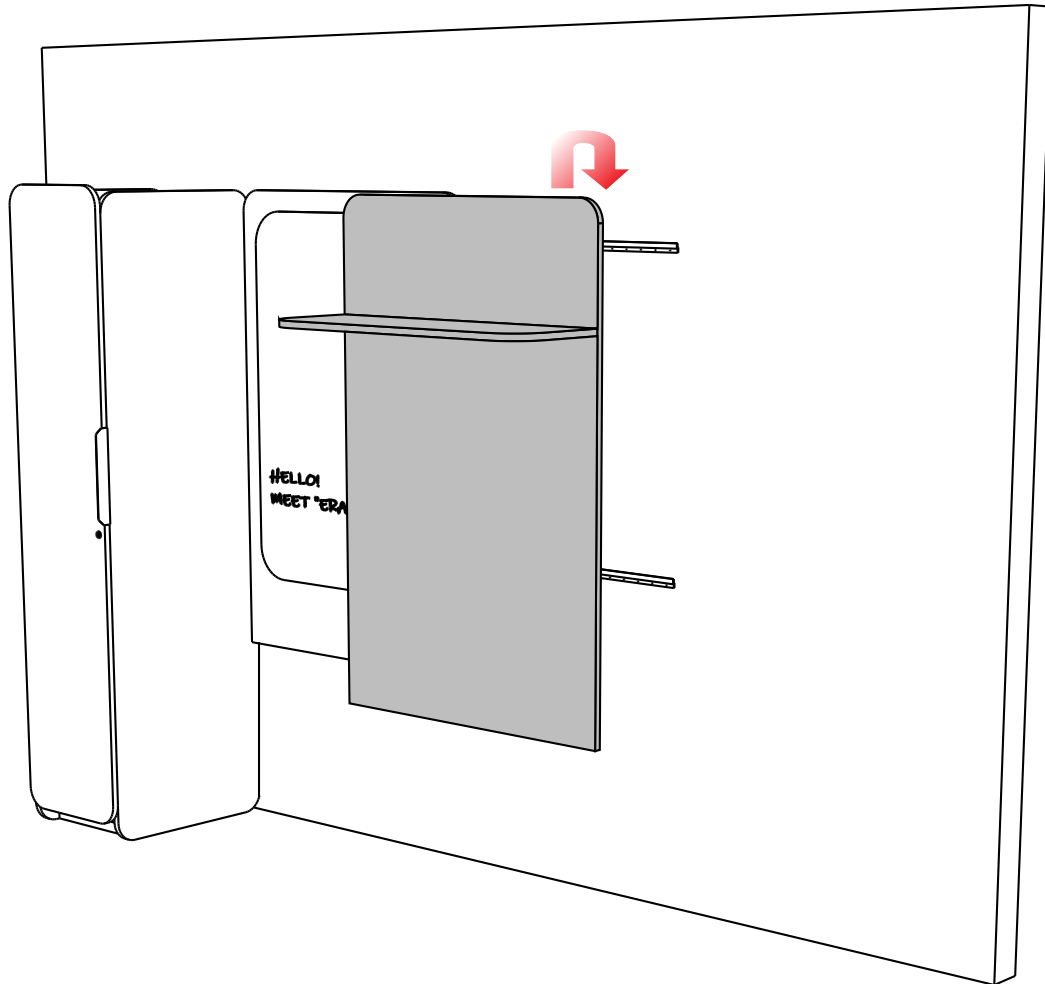
3

Era Wall Panels are meant to be hung at 78" - the same height as the tall storage cabinets. Each Wall Panel will come with two (2) sets of z-clips. Mount a section of z-clip on the wall as shown, centered on the width of the wall panel.



4

Lift the Wall Panel slightly higher than the z-clips, then slide it against the wall down onto the z-clip. Test the fit is secure.



5

Slide furniture against mounted wall panels. There will be an overlap between desk and low storage and the bottom of the panels. Wall panels can also be installed independently of other furniture.

Examples show height adjustable furniture and wall panels (square bottom) but all heights and styles of Era wall panels mount the same way.

