



hover

height adjustable bases

PRICE & SPECIFICATION GUIDE

Version: 03.15.24
prices effective April 1, 2024

DeskMakers

revisions

01/01/21	Updated pricing and finishes
04/09/21	Updated pricing on 2 leg G bases
11/19/21	Added Hover Boost and Reach Bases
12/20/21	Updated pricing
03/31/22	Updated select pricing and skus
04/11/22	Corrected ML-2LEG-EXKT pricing
08/18/22	Added surcharge note
12/01/22	Updated pricing
04/27/23	Updated pricing for Hover Lift Bases
03/15/24	Updated pricing

table of contents

Height Adjustable Base Finishes	4-5
Product Details	6-9
Pricing	10-13

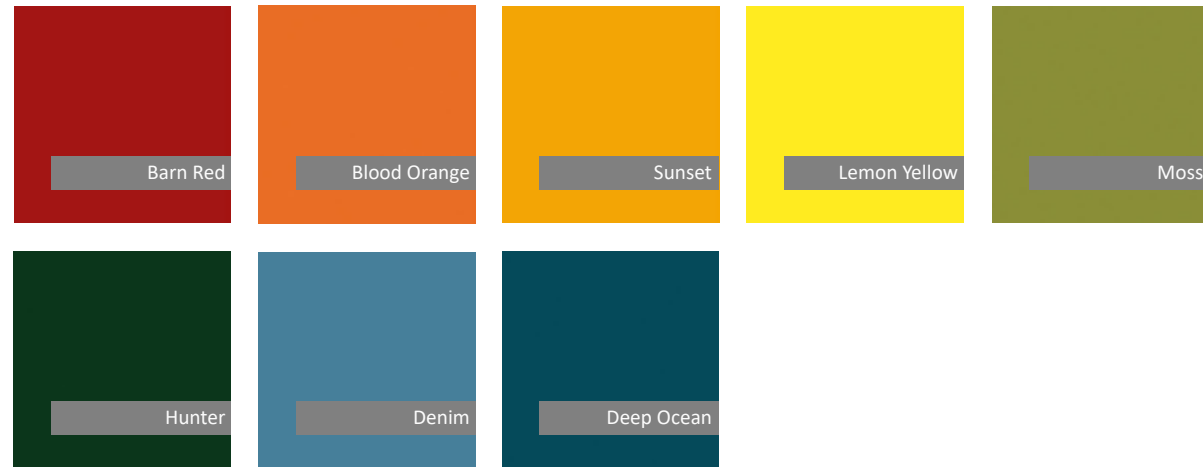
base finishes

Hover Lift Bases

standard



premium - 10% upcharge (OP-COLOR)

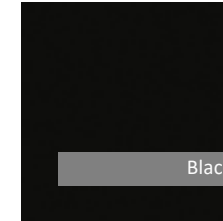


Hover Reach Bases

standard



premium - 10% upcharge (OP-COLOR)

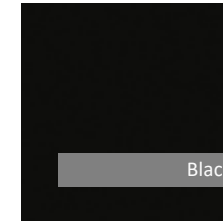


Hover Boost Bases

standard



premium - 10% upcharge (OP-COLOR)



Hover Lift Height Adjustable Bases



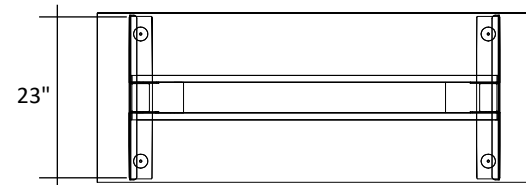
Features

Number of Legs	2 or 3
Height Range w/ Worksurface	27" - 46"
Number of Stages	2
Worksurface Lengths	48" - 84" in 6" increments
Worksurface Depths	24", 30" & 36"
Lifting Capacity	250 lbs (includes worksurface)
Adjustment Speed	1.5"/second
Cord Length	118" long
Finishes	4 standard, 8 at upcharge
Frame	Size Specific
Column Shape	Square
Safety	Anti-Collision Option

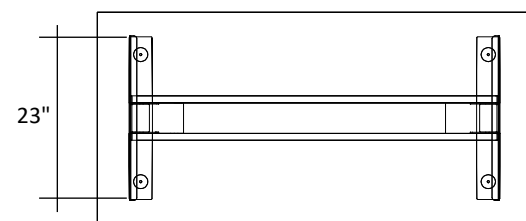
Foot Length

A 60" long worksurface is shown in examples below. The base will 9" shorter than the top, with a 4 1/2" inset on each side when centered.

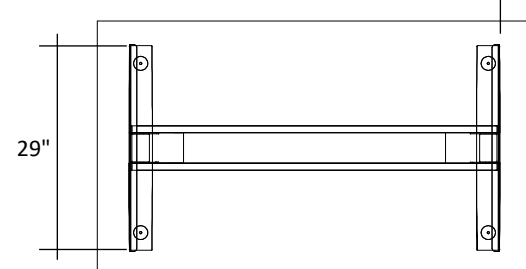
24" Deep Worksurface



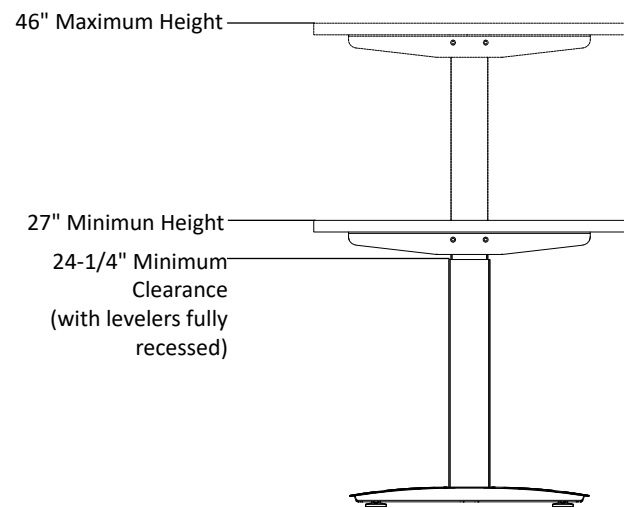
30" Deep Worksurface



36" Deep Worksurface



* 29" foot may also be specified for 30" worksurfaces.



Standard Up/Down Control



- Standard on Hover Lift bases
- Simple Up/Down function
- After 2 minutes defaults control box to standby mode

Programmable Digital Control



- Add-on option for Hover Lift bases : AC-CNTL-DIGI for \$249
- Save 4 different positions
- LCD display
- Set in centimeters or inches
- After 2 minutes defaults control box to standby mode

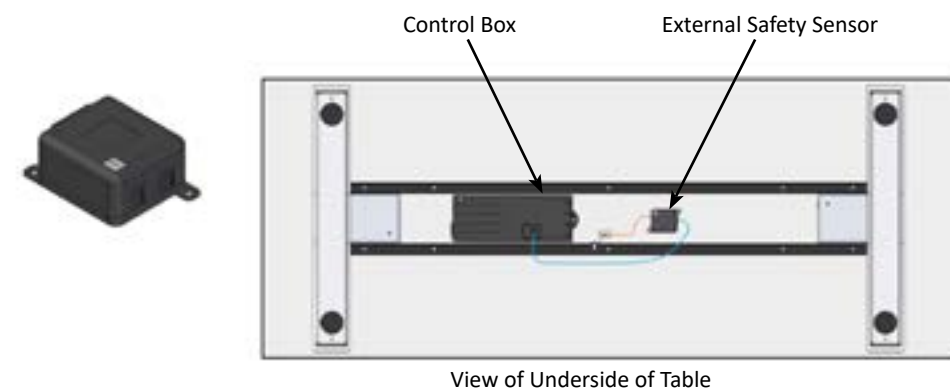
Locking Casters

The Hover Lift height adjustable bases are available with optional locking casters. Casters increase the overall table height by 2".



External Safety Sensor

An External Safety Sensor is able to detect even the smallest deformation. When a collision or restriction of movement is detected, the External Safety Sensor triggers the motors to move in the opposite direction to release the pinched obstacle. The External Safety Sensor can be added to the Hover Lift bases after installation. AC-DRBK-OMT for \$332.



All Hover electric height adjustable bases are equipped with Intelligent System Protection (ISP). ISP is used to protect base motors, control boxes and internal components from damage resulting from collision or restriction of movement. The ISP is not intended for protection of the end user, and is less sensitive than the External Safety Sensor.

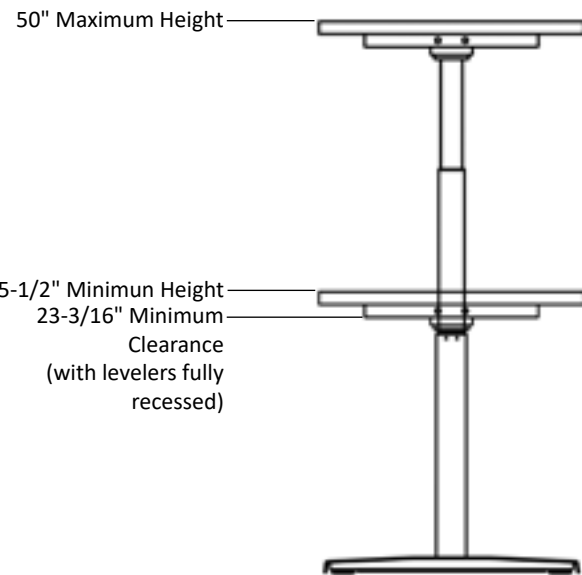
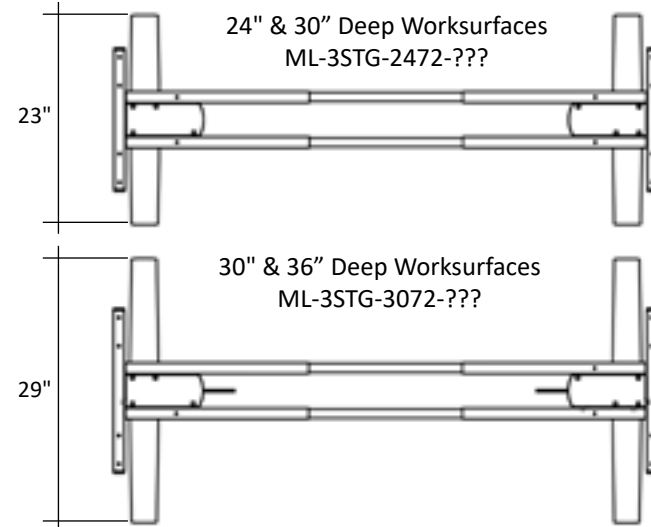
Hover Reach Height Adjustable Bases



Features

Number of Legs	2 or 3
Height Range w/ Worksurface	22.75" - 49"
Number of Stages	3
Worksurface Lengths	42" - 72" (Up to 84" w/ ext. kit)
Worksurface Depths	24", 30" & 36"
Lifting Capacity	220 lbs (includes worksurface)
Adjustment Speed	1.4"/second
Cord Length	72" long
Finishes	Silver
Frame	Adjustable
Column Shape	Square
Safety	Anti-Collision Built-in

Foot Length



Quick Install Legs

- Ships in 1 box
- No tools required for assembly.



Programmable Digital Control



- Save 3 different positions
- LCD display
- Set in centimeters or inches
- Power standby mode
- Standard with Hover Reach

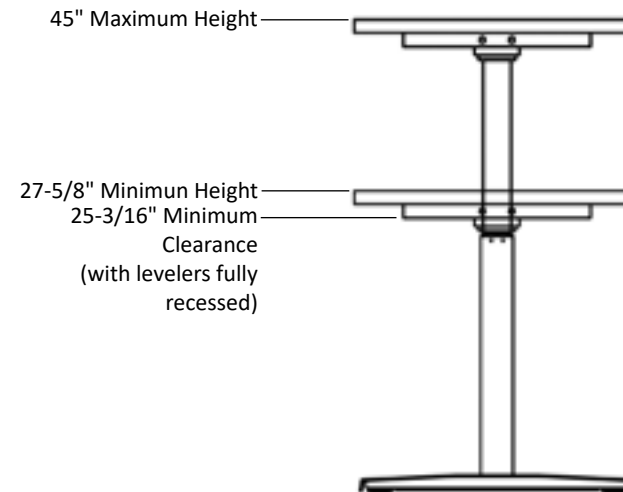
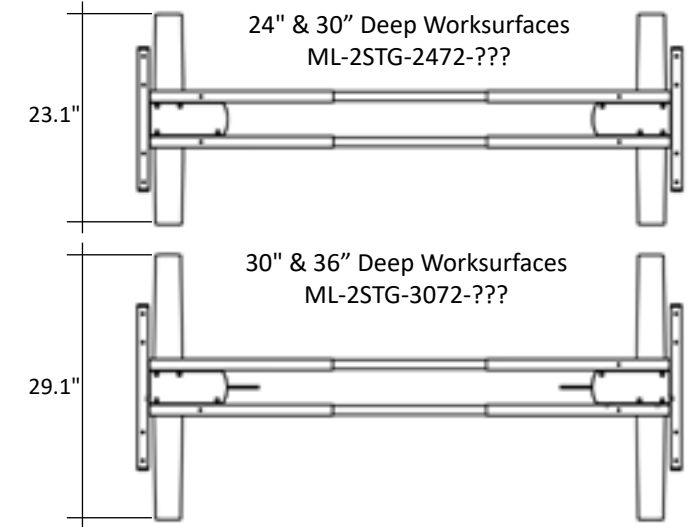
Hover Boost Height Adjustable Bases



Features

Number of Legs	2
Height Range w/ Worksurface	27.75" - 47.4"
Number of Stages	2
Worksurface Lengths	42" - 72" (Up to 84" w/ ext. kit)
Worksurface Depths	24", 30" & 36"
Lifting Capacity	200 lbs (includes worksurface)
Adjustment Speed	1.42"/second
Cord Length	72" long
Finishes	Black, White, Silver
Frame	Adjustable
Column Shape	Square
Safety	Anti-Collision Built-in

Foot Length



Quick Install Legs

- Ships in 1 box
- No tools required for assembly.



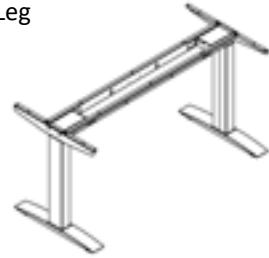
Programmable Digital Control



- Save 3 different positions
- LCD display
- Set in centimeters or inches
- Power standby mode
- Standard with Hover Boost

Hover Lift Height Adjustable Bases

Electric - 2 Leg



Model Number	T-Foot Length	Worksurface Width	Worksurface Length	Price
For 24" and 30" Deep Worksurfaces				
HV-AE23-2448-??	23	24/30	48	\$2,654
HV-AE23-2454-??	23	24/30	54	\$2,670
HV-AE23-2460-??	23	24/30	60	\$2,674
HV-AE23-2466-??	23	24/30	66	\$2,692
HV-AE23-2472-??	23	24/30	72	\$2,703
HV-AE23-2478-??	23	24/30	78	\$2,718
HV-AE23-2484-??	23	24/30	84	\$2,807
For 30" and 36" Deep Worksurfaces				
HV-AE29-3648-??	29	30/36	48	\$2,695
HV-AE29-3654-??	29	30/36	54	\$2,710
HV-AE29-3660-??	29	30/36	60	\$2,714
HV-AE29-3666-??	29	30/36	66	\$2,732
HV-AE29-3672-??	29	30/36	72	\$2,744
HV-AE29-3678-??	29	30/36	78	\$2,758
HV-AE29-3684-??	29	30/36	84	\$2,848

- Please specify base finish when ordering. Premium colors available with 10% increase, OP-COLOR. See page 6 for finish options.
- Tops specified separately.
- Bases ship unassembled.
- Includes adjustable glides. 2" high Casters available, add OP-CAST-OMT-A for \$141 (set of 4).
- Programmable digital control available, add AC-CNTL-DIGI for \$249.
- External safety sensor available, add AC-DRBK-OMT for \$332.

Hover Lift Height Adjustable Bases

Electric - 3 Leg - 120 Degree



Model Number	T-Foot Length	Worksurface Width	Worksurface Length	Price
For 24" Deep Worksurfaces				
HV-AE12-4242-23-??	23	42	42	\$3,762
HV-AE12-4848-23-??	23	48	48	\$3,822
HV-AE12-5454-23-??	23	54	54	\$3,955
For 30" Deep Worksurfaces				
HV-AE12-4242-29-??	29	42	42	\$3,802
HV-AE12-4848-29-??	29	48	48	\$3,863
HV-AE12-5454-29-??	29	54	54	\$3,996

- Please specify base finish when ordering. Premium colors available with 10% increase, OP-COLOR. See page 6 for finish options.
- Tops specified separately.
- Bases ship unassembled.
- Programmable digital control available, add AC-CNTL-DIGI for \$249.
- External safety sensor available, add AC-DRBK-OMT for \$332.

Hover Lift Height Adjustable Bases

Electric - 3 Leg - 90 Degree Symmetrical

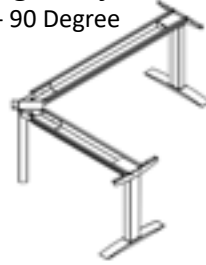


Model Number	T-Foot Length	Worksurface Width	Worksurface Length	Price
For 24" Deep Worksurfaces				
HV-AE90-4848-23-??	23	48	48	\$3,952
HV-AE90-5454-23-??	23	54	54	\$4,012
HV-AE90-6060-23-??	23	60	60	\$4,145
For 30" Deep Worksurfaces				
HV-AE90-4848-29-??	29	48	48	\$3,949
HV-AE90-5454-29-??	29	54	54	\$3,993
HV-AE90-6060-29-??	29	60	60	\$4,053

- Please specify base finish when ordering. Premium colors available with 10% increase, OP-COLOR. See page 6 for finish options.
- Tops specified separately.
- Bases ship unassembled.
- Programmable digital control available, add AC-CNTL-DIGI for \$249.
- External safety sensor available, add AC-DRBK-OMT for \$332.

Hover Lift Height Adjustable Bases

Electric - 3 Leg - 90 Degree



Model Number	T-Foot Length	Worksurface Width	Worksurface Length	Price
For 24" Deep Return Connection and 24" Deep Workspace				
HV-AE90-4266-23-??	23	42	66	\$3,994
HV-AE90-4272-23-??	23	42	72	\$3,998
HV-AE90-4278-23-??	23	42	78	\$4,015
HV-AE90-4866-23-??	23	48	66	\$4,015
HV-AE90-4872-23-??	23	48	72	\$4,020
HV-AE90-4878-23-??	23	48	78	\$4,037
HV-AE90-5466-23-??	23	54	66	\$4,046
HV-AE90-5472-23-??	23	54	72	\$4,050
HV-AE90-5478-23-??	23	54	78	\$4,067
HV-AE90-6066-23-??	23	60	66	\$4,112
HV-AE90-6072-23-??	23	60	72	\$4,116
HV-AE90-6078-23-??	23	60	78	\$4,134
For 24" Deep Return Connection and 30" Deep Workspace				
HV-AE90-4266-29-??	23/29	42	66	\$4,019
HV-AE90-4272-29-??	23/29	42	72	\$4,034
HV-AE90-4278-29-??	23/29	42	78	\$4,038
HV-AE90-4866-29-??	23/29	48	66	\$4,019
HV-AE90-4872-29-??	23/29	48	72	\$4,034
HV-AE90-4878-29-??	23/29	48	78	\$4,038
HV-AE90-5466-29-??	23/29	54	66	\$4,040
HV-AE90-5472-29-??	23/29	54	72	\$4,056
HV-AE90-5478-29-??	23/29	54	78	\$4,060
HV-AE90-6066-29-??	23/29	60	66	\$4,071
HV-AE90-6072-29-??	23/29	60	72	\$4,086
HV-AE90-6078-29-??	23/29	60	78	\$4,090

- Please specify base finish when ordering. Premium colors available with 10% increase, OP-COLOR. See page 6 for finish options.
- Tops specified separately.
- Bases ship unassembled.
- Programmable digital control available, add AC-CNTL-DIGI for \$249.
- External safety sensor available, add AC-DRBK-OMT for \$332.

Hover Reach Height Adjustable Bases - 2 Leg for Rectangular Worksurfaces

Electric - 3 Stage



Model Number	T-Foot Length	Worksurface Width	Worksurface Length	Price
For 24" and 30" Deep Worksurfaces				
ML-3STG-2472-SV	23	24/30	48/72	\$1,106
For 30" and 36" Deep Worksurfaces				
ML-3STG-3072-SV	29	30/36	48/72	\$1,140

- Silver finish standard.
- Tops specified separately. Bases ship unassembled with tool-free quick-install components.
- Includes adjustable steel frame, adjustable glides and programmable digital control.
- Base can accommodate tops up to 84" with the addition of ML-2LEG-EXKT for \$362

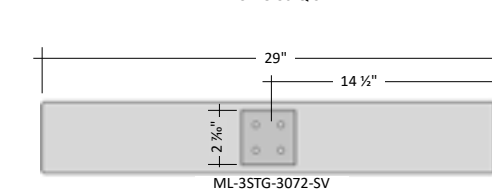
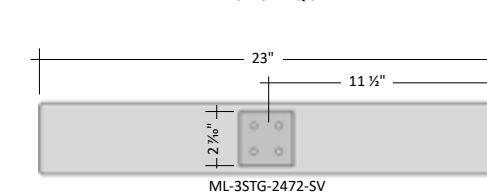
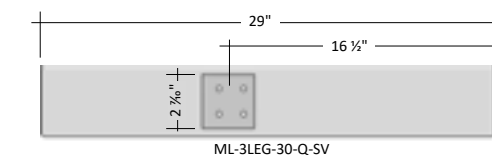
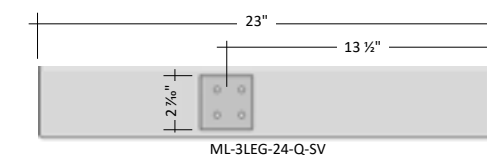
Hover Reach Height Adjustable Bases - 3 Leg for 120 or 90 Degree Worksurfaces

Electric - 3 Stage



Model Number	T-Foot Length	Worksurface Width	Worksurface Length	Price
For 24" and 30" Deep Worksurfaces				
ML-3LEG-24-Q-SV	23	24/30	84x84	\$1,938
For 30" and 36" Deep Worksurfaces				
ML-3LEG-30-Q-SV	29	30/36	84x84	\$1,970

- Silver finish standard.
- Tops specified separately. Bases ship unassembled with tool-free quick-install components.
- Includes adjustable steel frame, adjustable glides and programmable digital control.
- Universal bracket for both 120 degree and 90 degree applications.
- NOTE: The Reach 3-Leg has a C-Leg Style foot - the leg column is slightly off-center, farther from the user side. See below for diagram.



Hover Boost Height Adjustable Bases - 2 Leg for Rectangular Worksurfaces

Electric - 2 Stage



Model Number	T-Foot Length	Worksurface Width	Worksurface Length	Price
For 24" and 30" Deep Worksurfaces				
ML-2STG-2472-??	23	24/30	42/72	\$950
For 30" and 36" Deep Worksurfaces				
ML-2STG-3072-??	29	30/36	42/72	\$980

- Silver finish standard. Black and White may require additional lead time.
- Tops specified separately. Bases ship unassembled with tool-free quick-install components.
- Includes adjustable steel frame, adjustable glides and programmable digital control.
- Base can accommodate tops up to 84" with the addition of ML-2LEG-EXKT for \$362

Please visit [Deskmakers.com](https://www.deskmakers.com) to view our current **Terms and Conditions**.

Please visit [Deskmakers.com](https://deskmakers.com) to view our current **Warranty**.

Showroom Locations

Los Angeles

DeskMakers Headquarters
6525 Flotilla Street
Commerce, CA 90040

DeskMakers

Phone: 323.264.2260 | Fax: 323.725.6960
www.deskmakers.com