



# hover

## height adjustable bases

PRICE & SPECIFICATION GUIDE

Version: 04.27.23

DeskMakers

## revisions

---

01/01/21	Updated pricing and finishes
04/09/21	Updated pricing on 2 leg G bases
11/19/21	Added Hover Boost and Reach Bases
12/20/21	Updated pricing
03/31/22	Updated select pricing and skus
04/11/22	Corrected ML-2LEG-EXKT pricing
08/18/22	Added surcharge note
12/01/22	Updated pricing
04/27/23	Updated pricing for Hover Lift Bases

## table of contents

Height Adjustable Base Finishes	4-5
Product Details	6-9
Pricing	10-13

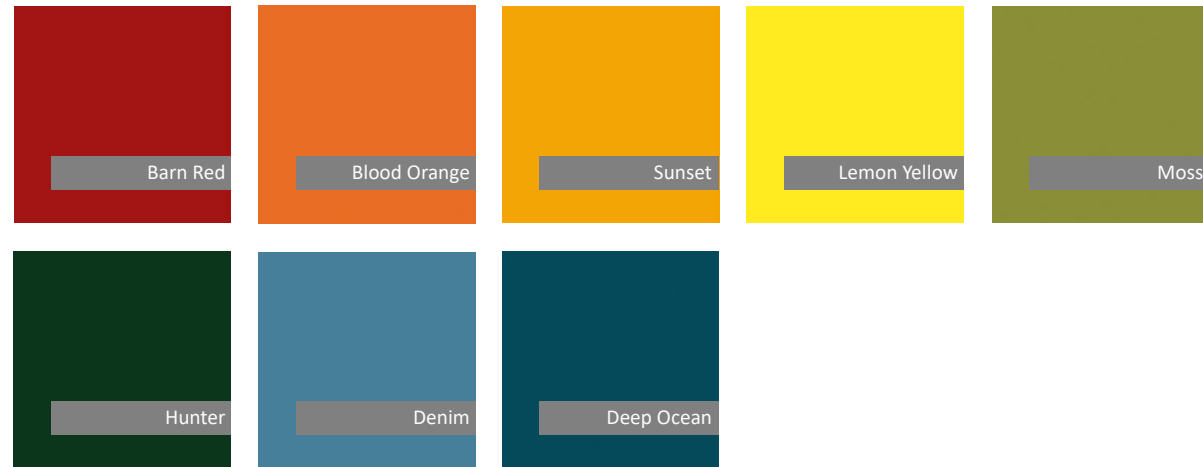
# base finishes

## Hover Lift Bases

standard



premium - 10% upcharge (OP-COLOR)

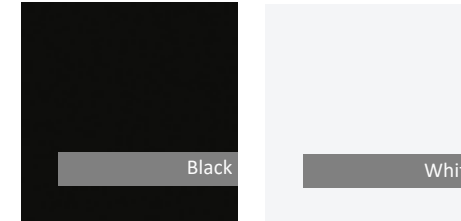


## Hover Reach Bases

standard



premium - 10% upcharge (OP-COLOR)

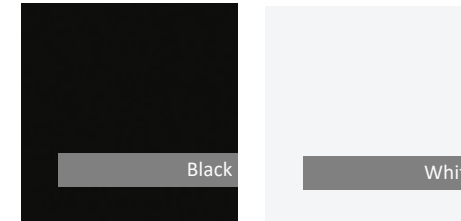


## Hover Boost Bases

standard



premium - 10% upcharge (OP-COLOR)



Hover Lift Height Adjustable Bases



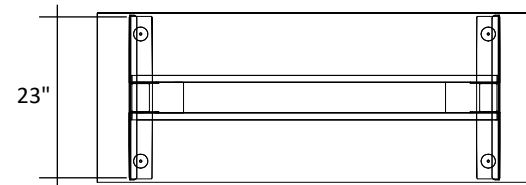
Features

Number of Legs	2 or 3
Height Range w/ Worksurface	27" - 46"
Number of Stages	2
Worksurface Lengths	48" - 84" in 6" increments
Worksurface Depths	24", 30" & 36"
Lifting Capacity	250 lbs (includes worksurface)
Adjustment Speed	1.5"/second
Cord Length	118" long
Finishes	4 standard, 8 at upcharge
Frame	Size Specific
Column Shape	Square
Safety	Anti-Collision Option

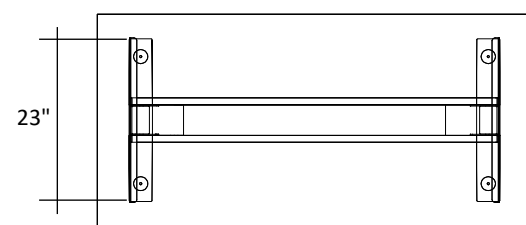
Foot Length

A 60" long worksurface is shown in examples below. The base will 9" shorter that the top, with a 4 1/2" inset on each side when centered.

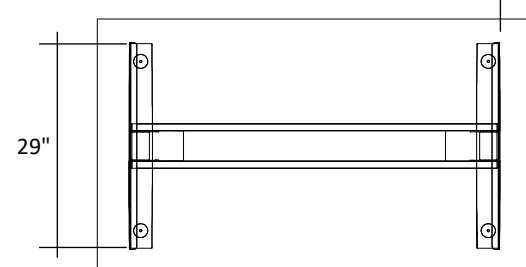
24" Deep Worksurface



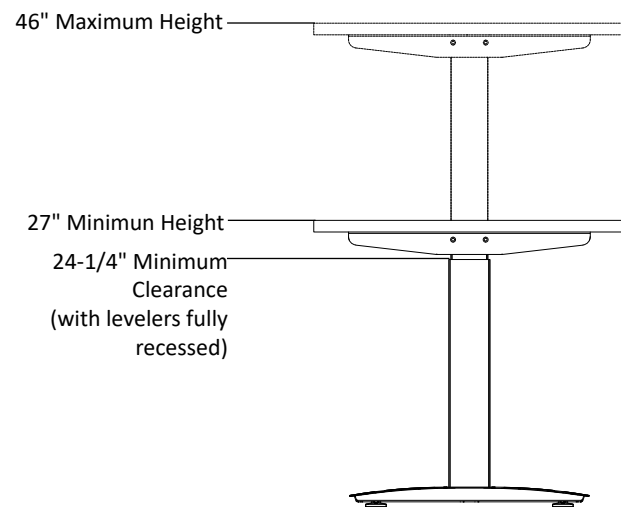
30" Deep Worksurface



36" Deep Worksurface



\* 29" foot may also be specified for 30" worksurfaces.



Standard Up/Down Control



- Standard on Hover Lift bases
- Simple Up/Down function
- After 2 minutes defaults control box to standby mode

Programmable Digital Control



- Add-on option for Hover Lift bases : AC-CNTL-DIGI for \$239
- Save 4 different positions
- LCD display
- Set in centimeters or inches
- After 2 minutes defaults control box to standby mode

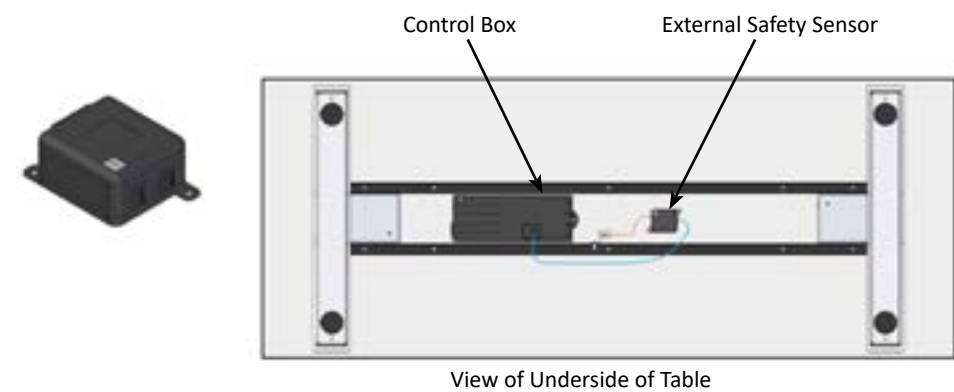
Locking Casters

The Hover Lift height adjustable bases are available with optional locking casters. Casters increase the overall table height by 2".



External Safety Sensor

An External Safety Sensor is able to detect even the smallest deformation. When a collision or restriction of movement is detected, the External Safety Sensor triggers the motors to move in the opposite direction to release the pinched obstacle. The External Safety Sensor can be added to the Hover Lift bases after installation. AC-DRBK-OMT for \$319.



All Hover electric height adjustable bases are equipped with Intelligent System Protection (ISP). ISP is used to protect base motors, control boxes and internal components from damage resulting from collision or restriction of movement. The ISP is not intended for protection of the end user, and is less sensitive than the External Safety Sensor.

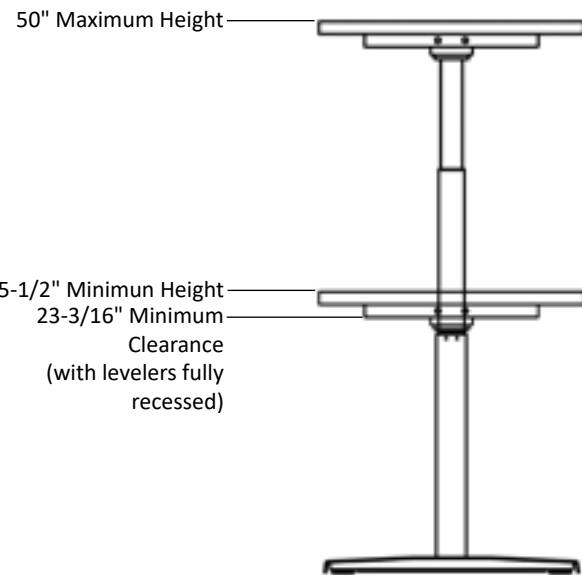
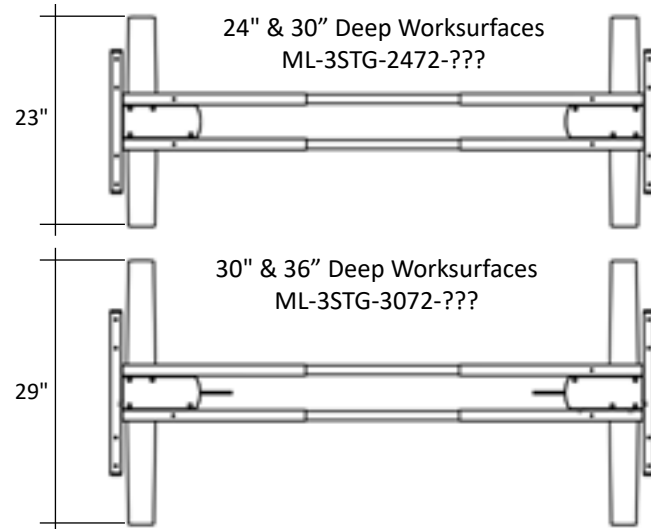
Hover Reach Height Adjustable Bases



Features

Number of Legs	2 or 3
Height Range w/ Worksurface	22.75" - 49"
Number of Stages	3
Worksurface Lengths	42" - 72" (Up to 84" w/ ext. kit)
Worksurface Depths	24", 30" & 36"
Lifting Capacity	220 lbs (includes worksurface)
Adjustment Speed	1.4"/second
Cord Length	72" long
Finishes	Silver
Frame	Adjustable
Column Shape	Square
Safety	Anti-Collision Built-in

Foot Length



Quick Install Legs

- Ships in 1 box
- No tools required for assembly.

Programmable Digital Control

- Save 3 different positions
- LCD display
- Set in centimeters or inches
- Power standby mode
- Standard with Hover Reach

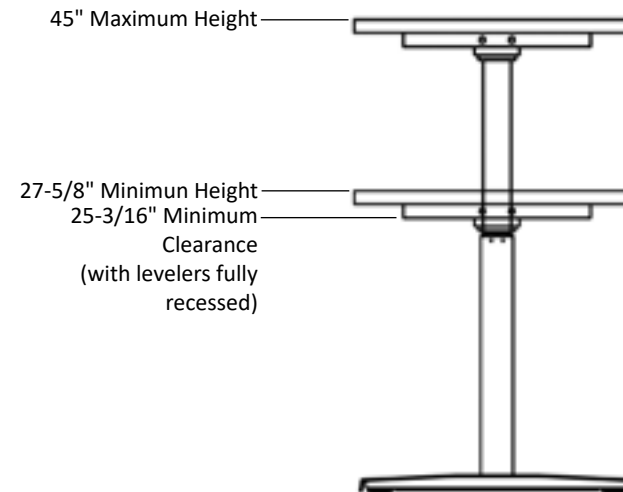
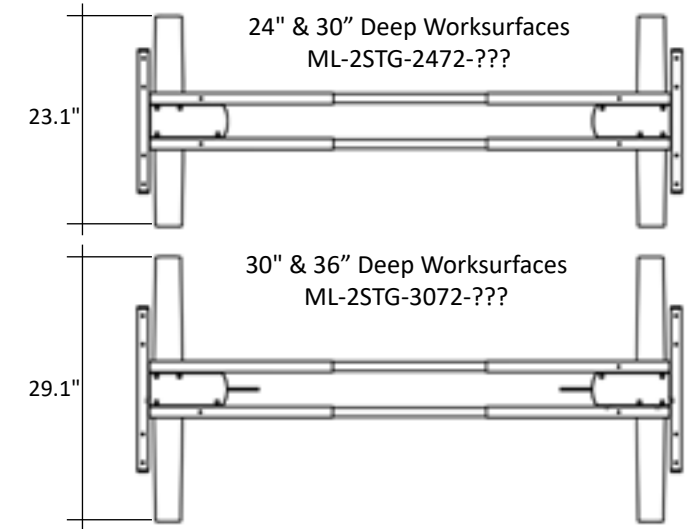
Hover Boost Height Adjustable Bases



Features

Number of Legs	2
Height Range w/ Worksurface	27.75" - 47.4"
Number of Stages	2
Worksurface Lengths	42" - 72" (Up to 84" w/ ext. kit)
Worksurface Depths	24", 30" & 36"
Lifting Capacity	200 lbs (includes worksurface)
Adjustment Speed	1.42"/second
Cord Length	72" long
Finishes	Black, White, Silver
Frame	Adjustable
Column Shape	Square
Safety	Anti-Collision Built-in

Foot Length



Quick Install Legs

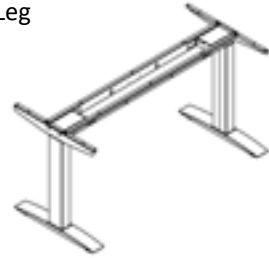
- Ships in 1 box
- No tools required for assembly.

Programmable Digital Control

- Save 3 different positions
- LCD display
- Set in centimeters or inches
- Power standby mode
- Standard with Hover Boost

**Hover Lift Height Adjustable Bases**

Electric - 2 Leg



Model Number	T-Foot Length	Worksurface Width	Worksurface Length	Price
<b>For 24" and 30" Deep Worksurfaces</b>				
HV-AE23-2448-??	23	24/30	48	\$2,552
HV-AE23-2454-??	23	24/30	54	\$2,567
HV-AE23-2460-??	23	24/30	60	\$2,571
HV-AE23-2466-??	23	24/30	66	\$2,588
HV-AE23-2472-??	23	24/30	72	\$2,599
HV-AE23-2478-??	23	24/30	78	\$2,613
HV-AE23-2484-??	23	24/30	84	\$2,699
<b>For 30" and 36" Deep Worksurfaces</b>				
HV-AE29-3648-??	29	30/36	48	\$2,591
HV-AE29-3654-??	29	30/36	54	\$2,606
HV-AE29-3660-??	29	30/36	60	\$2,610
HV-AE29-3666-??	29	30/36	66	\$2,627
HV-AE29-3672-??	29	30/36	72	\$2,638
HV-AE29-3678-??	29	30/36	78	\$2,652
HV-AE29-3684-??	29	30/36	84	\$2,738

- Please specify base finish when ordering. Premium colors available with 10% increase, OP-COLOR. See page 6 for finish options.
  - Tops specified separately.
  - Bases ship unassembled.
  - Includes adjustable glides. 2" high Casters available, add OP-CAST-OMT-A for \$136 (set of 4).
  - Programmable digital control available, add AC-CNTL-DIGI for \$239.
  - External safety sensor available, add AC-DRBK-OMT for \$319.
- NOTE: Height adjustable bases have special discounting, please contact your local representative.

**Hover Lift Height Adjustable Bases**

Electric - 3 Leg - 120 Degree



Model Number	T-Foot Length	Worksurface Width	Worksurface Length	Price
<b>For 24" Deep Worksurfaces</b>				
HV-AE12-4242-23-??	23	42	42	\$3,617
HV-AE12-4848-23-??	23	48	48	\$3,675
HV-AE12-5454-23-??	23	54	54	\$3,803
<b>For 30" Deep Worksurfaces</b>				
HV-AE12-4242-29-??	29	42	42	\$3,656
HV-AE12-4848-29-??	29	48	48	\$3,714
HV-AE12-5454-29-??	29	54	54	\$3,842

- Please specify base finish when ordering. Premium colors available with 10% increase, OP-COLOR. See page 6 for finish options.
  - Tops specified separately.
  - Bases ship unassembled.
  - Programmable digital control available, add AC-CNTL-DIGI for \$239.
  - External safety sensor available, add AC-DRBK-OMT for \$319.
- NOTE: Height adjustable bases have special discounting, please contact your local representative.

**Hover Lift Height Adjustable Bases**

Electric - 3 Leg - 90 Degree Symmetrical



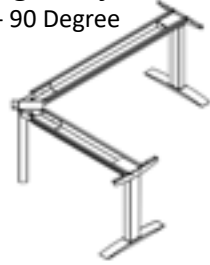
Model Number	T-Foot Length	Worksurface Width	Worksurface Length	Price
<b>For 24" Deep Worksurfaces</b>				
HV-AE90-4848-23-??	23	48	48	\$3,800
HV-AE90-5454-23-??	23	54	54	\$3,858
HV-AE90-6060-23-??	23	60	60	\$3,986
<b>For 30" Deep Worksurfaces</b>				
HV-AE90-4848-29-??	29	48	48	\$3,797
HV-AE90-5454-29-??	29	54	54	\$3,839
HV-AE90-6060-29-??	29	60	60	\$3,897

- Please specify base finish when ordering. Premium colors available with 10% increase, OP-COLOR. See page 6 for finish options.
  - Tops specified separately.
  - Bases ship unassembled.
  - Programmable digital control available, add AC-CNTL-DIGI for \$239.
  - External safety sensor available, add AC-DRBK-OMT for \$319.
- NOTE: Height adjustable bases have special discounting, please contact your local representative.



**Hover Lift Height Adjustable Bases**

Electric - 3 Leg - 90 Degree



Model Number	T-Foot Length	Worksurface Width	Worksurface Length	Price
<b>For 24" Deep Return Connection and 24" Deep Workspace</b>				
HV-AE90-4266-23-??	23	42	66	\$3,840
HV-AE90-4272-23-??	23	42	72	\$3,844
HV-AE90-4278-23-??	23	42	78	\$3,861
HV-AE90-4866-23-??	23	48	66	\$3,861
HV-AE90-4872-23-??	23	48	72	\$3,865
HV-AE90-4878-23-??	23	48	78	\$3,882
HV-AE90-5466-23-??	23	54	66	\$3,890
HV-AE90-5472-23-??	23	54	72	\$3,894
HV-AE90-5478-23-??	23	54	78	\$3,911
HV-AE90-6066-23-??	23	60	66	\$3,954
HV-AE90-6072-23-??	23	60	72	\$3,958
HV-AE90-6078-23-??	23	60	78	\$3,975
<b>For 24" Deep Return Connection and 30" Deep Workspace</b>				
HV-AE90-4266-29-??	23/29	42	66	\$3,864
HV-AE90-4272-29-??	23/29	42	72	\$3,879
HV-AE90-4278-29-??	23/29	42	78	\$3,883
HV-AE90-4866-29-??	23/29	48	66	\$3,864
HV-AE90-4872-29-??	23/29	48	72	\$3,879
HV-AE90-4878-29-??	23/29	48	78	\$3,883
HV-AE90-5466-29-??	23/29	54	66	\$3,885
HV-AE90-5472-29-??	23/29	54	72	\$3,900
HV-AE90-5478-29-??	23/29	54	78	\$3,904
HV-AE90-6066-29-??	23/29	60	66	\$3,914
HV-AE90-6072-29-??	23/29	60	72	\$3,929
HV-AE90-6078-29-??	23/29	60	78	\$3,933

- Please specify base finish when ordering. Premium colors available with 10% increase, OP-COLOR. See page 6 for finish options.
  - Tops specified separately.
  - Bases ship unassembled.
  - Programmable digital control available, add AC-CNTL-DIGI for \$239.
  - External safety sensor available, add AC-DRBK-OMT for \$319.
- NOTE: Height adjustable bases have special discounting, please contact your local representative.

**Hover Reach Height Adjustable Bases - 2 Leg for Rectangular Worksurfaces**

Electric - 3 Stage



Model Number	T-Foot Length	Worksurface Width	Worksurface Length	Price
<b>For 24" and 30" Deep Worksurfaces</b>				
ML-3STG-2472-SLV	23	24/30	48/72	\$1,064
<b>For 30" and 36" Deep Worksurfaces</b>				
ML-3STG-3072-SLV	29	30/36	48/72	\$1,096

- Silver finish standard.
  - Tops specified separately. Bases ship unassembled with tool-free quick-install components.
  - Includes adjustable steel frame, adjustable glides and programmable digital control.
  - Base can accommodate tops up to 84" with the addition of ML-2LEG-EXKT for \$348
- NOTE: Height adjustable bases have special discounting, please contact your local representative.

**Hover Reach Height Adjustable Bases - 3 Leg for 120 or 90 Degree Worksurfaces**

Electric - 3 Stage



Model Number	T-Foot Length	Worksurface Width	Worksurface Length	Price
<b>For 24" and 30" Deep Worksurfaces</b>				
ML-3LEG-24-Q-SLV	23	24/30	84x84	\$1,863
<b>For 30" and 36" Deep Worksurfaces</b>				
ML-3LEG-30-Q-SLV	29	30/36	84x84	\$1,894

- Silver finish standard.
  - Tops specified separately. Bases ship unassembled with tool-free quick-install components.
  - Includes adjustable steel frame, adjustable glides and programmable digital control.
  - Universal bracket for both 120 degree and 90 degree applications.
- NOTE: Height adjustable bases have special discounting, please contact your local representative.

**Hover Boost Height Adjustable Bases - 2 Leg for Rectangular Worksurfaces**

Electric - 2 Stage



**Please see website for current Terms and Conditions:  
www.deskmakers.com**

Model Number	T-Foot Length	Worksurface Width	Worksurface Length	Price
<b>For 24" and 30" Deep Worksurfaces</b>				
ML-2STG-2472-???	23	24/30	42/72	\$886
<b>For 30" and 36" Deep Worksurfaces</b>				
ML-2STG-3072-???	29	30/36	42/72	\$913

- Silver finish standard. Black and White may require additional lead time.
  - Tops specified separately. Bases ship unassembled with tool-free quick-install components.
  - Includes adjustable steel frame, adjustable glides and programmable digital control.
  - Base can accommodate tops up to 84" with the addition of ML-2LEG-EXKT for \$348
- NOTE: Height adjustable bases have special discounting, please contact your local representative.



## Limited Lifetime Warranty

(Effective for Furniture Sold as of January 1, 2015)

DeskMakers, Inc. furniture is warranted against defects in material and workmanship given normal usage and care for as long as the original purchaser owns it.

DeskMakers will repair or replace at its option, and at its own cost, any product that develops a defect during the warranty period. In some cases, DeskMakers may elect to refund the customer's original purchase price (less reasonable depreciation) in lieu of repair or replacement. Repair, replacement, or refund is the purchaser's sole remedy, the choice of which rests solely with DeskMakers. DeskMakers shall not be liable for any incidental or consequential damages including lost profits and loss of use of product.

### Limitations:

- The warranty for wood guest chair frames shall be limited to 10 years.
- The warranty for PVC edges, wood veneer edges, HPL edges, mechanical parts such as ball bearing slides, door hinges, floor glides, fabric (except for COM fabrics), seating foam, and wood veneer surfaces shall be limited to five (5) years.
- The warranty for training tables shall be limited to three (3) years.
- The warranty for engineered-to-order "custom" products shall be limited to three (3) years.
- The warranty for height adjustable bases shall be limited to two (2) years on electrical components, five (5) years on mechanical components and ten (10) years on structural components.
- This warranty does not cover:
  - o Normal wear and tear.
  - o The color fastness of any laminate, wood, or fabric, as such colors can fade or darken with normal use and as a result of exposure to light.
  - o Customer's Own Materials (COM).
  - o Damage caused by placing anything other than hanging files in file drawers.
  - o Rental furniture.
  - o Labor and service.

### Normal Usage:

This warranty does not apply to damages or failures resulting from misuse, abuse, negligence, or improper care. For casegoods, tables, and desking, normal usage is limited to 40 hours per week. For seating, normal usage is limited to 40 hours per week by individuals of 250 lbs. or less.

## Showroom Locations

### Los Angeles

DeskMakers Headquarters  
6525 Flotilla Street  
Commerce, CA 90040

---

# DeskMakers

Phone: 323.264.2260 | Fax: 323.725.6960  
[www.deskmakers.com](http://www.deskmakers.com)