



# hover

## height adjustable bases

PRICE & SPECIFICATION GUIDE

Version: 12.01.24  
*prices effective February 1, 2025*

The logo for DeskMakers, featuring the word "Desk" in a grey sans-serif font and "Makers" in a bold, black sans-serif font, with a horizontal orange line above the "Makers" portion.

## revisions

---

01/01/21	Updated pricing and finishes
04/09/21	Updated pricing on 2 leg G bases
11/19/21	Added Hover Boost and Reach Bases
12/20/21	Updated pricing
03/31/22	Updated select pricing and skus
04/11/22	Corrected ML-2LEG-EXKT pricing
08/18/22	Added surcharge note
12/01/22	Updated pricing
04/27/23	Updated pricing for Hover Lift Bases
03/15/24	Updated pricing
12/01/24	Updated pricing

## table of contents

Height Adjustable Base Finishes	4-5
Product Details	6-9
Pricing	10-13

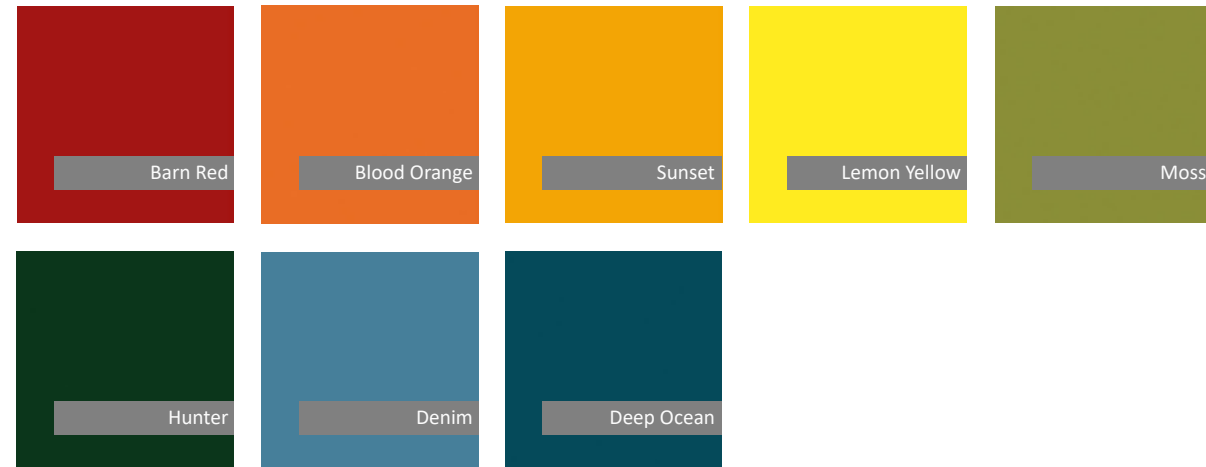
# base finishes

## Hover Lift Bases

standard



premium - 10% upcharge (OP-COLOR)

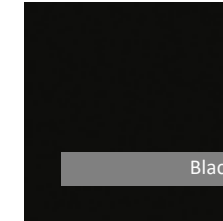


## Hover Reach Bases

standard

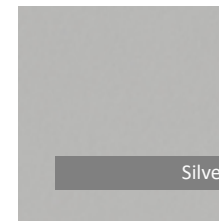


premium - 10% upcharge (OP-COLOR)

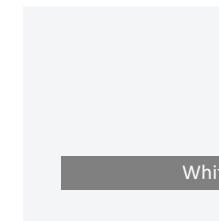
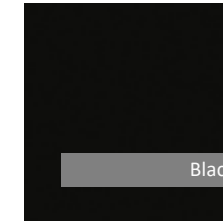


## Hover Boost Bases

standard



premium - 10% upcharge (OP-COLOR)



Hover Lift Height Adjustable Bases



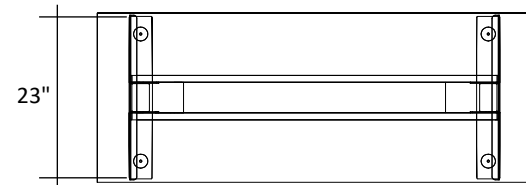
Features

Number of Legs	2 or 3
Height Range w/ Worksurface	27" - 46"
Number of Stages	2
Worksurface Lengths	48" - 84" in 6" increments
Worksurface Depths	24", 30" & 36"
Lifting Capacity	250 lbs (includes worksurface)
Adjustment Speed	1.5"/second
Cord Length	118" long
Finishes	4 standard, 8 at upcharge
Frame	Size Specific
Column Shape	Rectangle
Safety	Anti-Collision Option

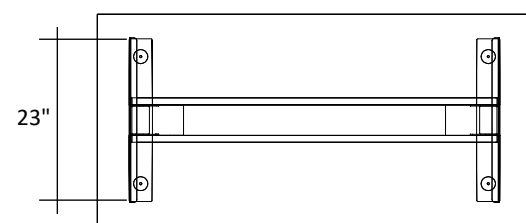
Foot Length

A 60" long worksurface is shown in examples below. The base will 9" shorter than the top, with a 4 1/2" inset on each side when centered.

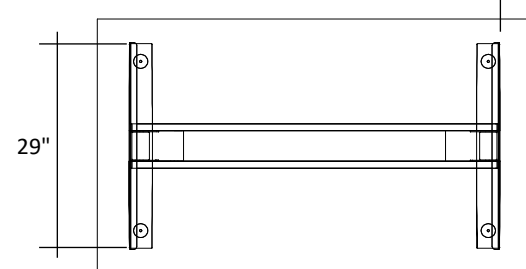
24" Deep Worksurface



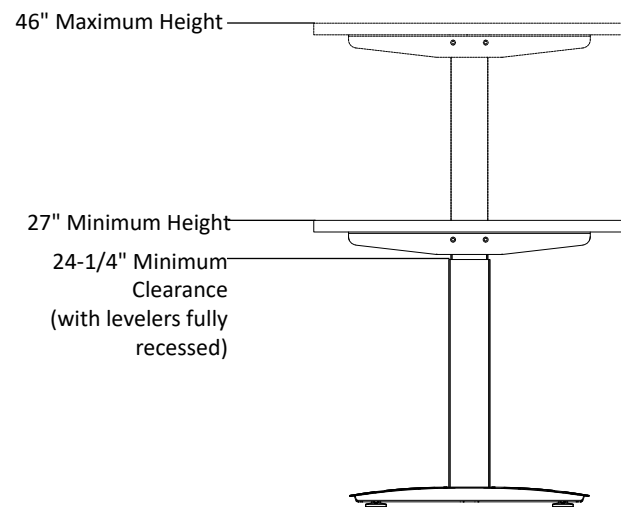
30" Deep Worksurface



36" Deep Worksurface



\* 29" foot may also be specified for 30" worksurfaces.



Standard Up/Down Control



- Standard on Hover Lift bases
- Simple Up/Down function
- After 2 minutes defaults control box to standby mode

Programmable Digital Control



- Add-on option for Hover Lift bases : AC-CNTL-DIGI for \$261
- Save 4 different positions
- LCD display
- Set in centimeters or inches
- After 2 minutes defaults control box to standby mode

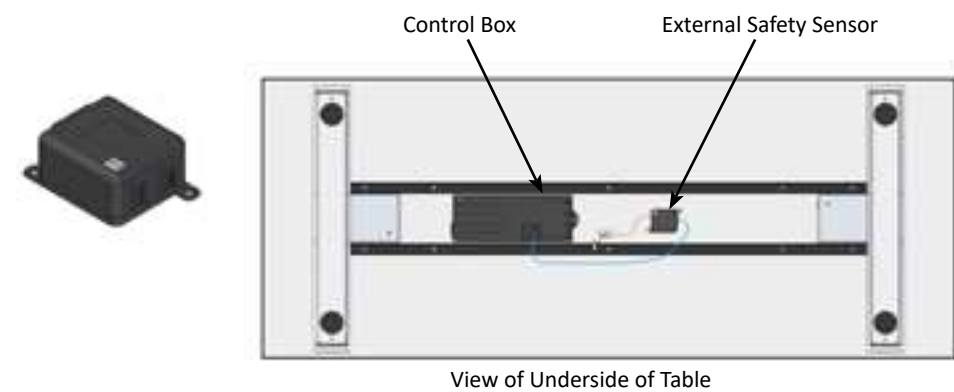
Locking Casters

The Hover Lift height adjustable bases are available with optional locking casters. Casters increase the overall table height by 2".



External Safety Sensor

An External Safety Sensor is able to detect even the smallest deformation. When a collision or restriction of movement is detected, the External Safety Sensor triggers the motors to move in the opposite direction to release the pinched obstacle. The External Safety Sensor can be added to the Hover Lift bases after installation. AC-DRBK-OMT for \$349.



All Hover electric height adjustable bases are equipped with Intelligent System Protection (ISP). ISP is used to protect base motors, control boxes and internal components from damage resulting from collision or restriction of movement. The ISP is not intended for protection of the end user, and is less sensitive than the External Safety Sensor.

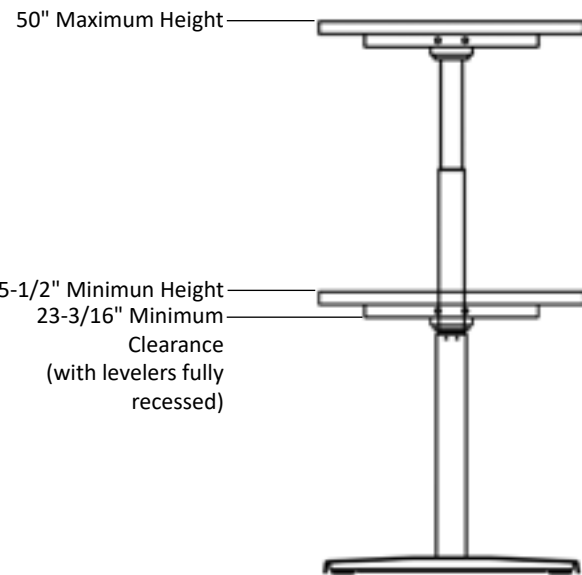
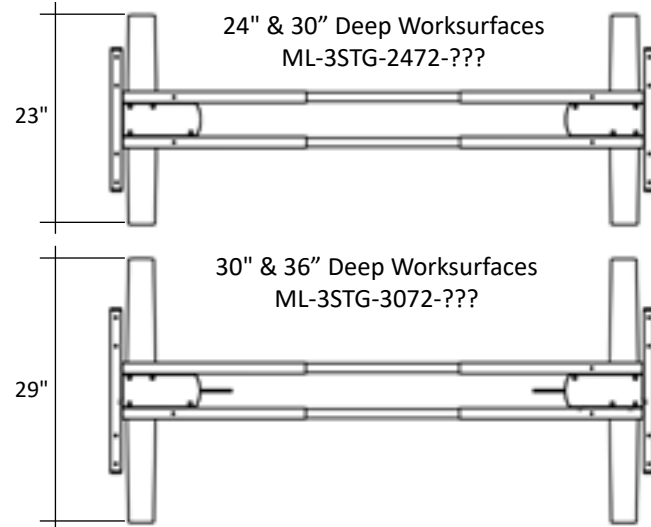
Hover Reach Height Adjustable Bases



Features

Number of Legs	2 or 3
Height Range w/ Worksurface	22.75" - 49"
Number of Stages	3
Worksurface Lengths	42" - 72" (Up to 84" w/ ext. kit)
Worksurface Depths	24", 30" & 36"
Lifting Capacity	220 lbs (includes worksurface)
Adjustment Speed	1.4"/second
Cord Length	72" long
Finishes	Silver
Frame	Adjustable
Column Shape	Rectangle
Safety	Anti-Collision Built-in

Foot Length



Quick Install Legs

- Ships in 1 box
- No tools required for assembly.

Programmable Digital Control

- Save 3 different positions
- LCD display
- Set in centimeters or inches
- Power standby mode
- Standard with Hover Reach

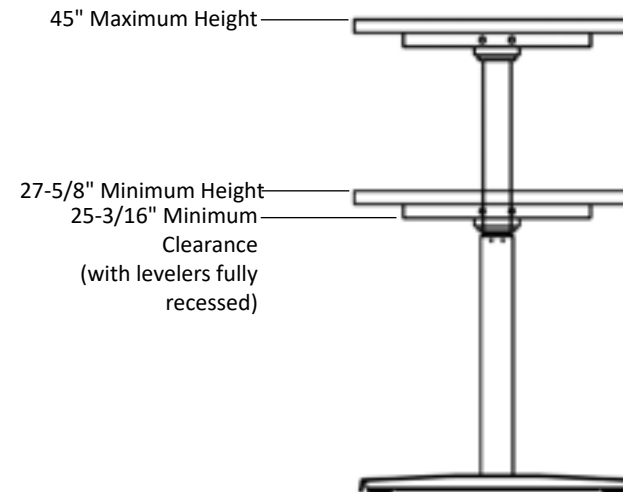
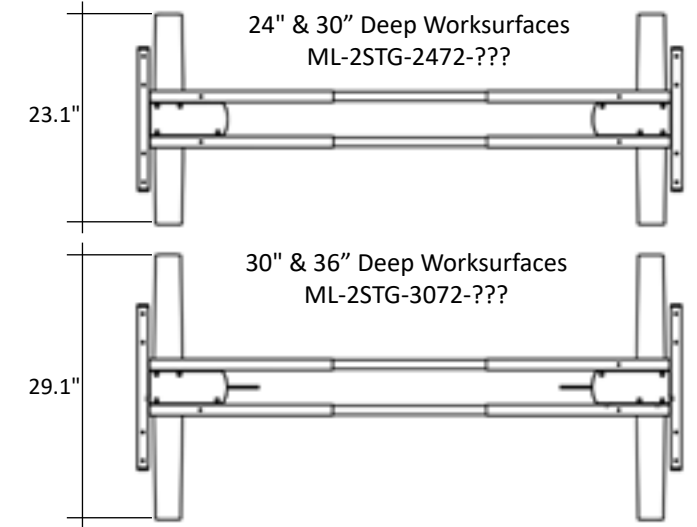
Hover Boost Height Adjustable Bases



Features

Number of Legs	2
Height Range w/ Worksurface	27.75" - 47.4"
Number of Stages	2
Worksurface Lengths	42" - 72" (Up to 84" w/ ext. kit)
Worksurface Depths	24", 30" & 36"
Lifting Capacity	200 lbs (includes worksurface)
Adjustment Speed	1.42"/second
Cord Length	72" long
Finishes	Black, White, Silver
Frame	Adjustable
Column Shape	Rectangle
Safety	Anti-Collision Built-in

Foot Length



Quick Install Legs

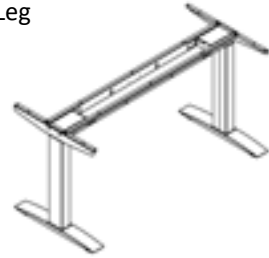
- Ships in 1 box
- No tools required for assembly.

Programmable Digital Control

- Save 3 different positions
- LCD display
- Set in centimeters or inches
- Power standby mode
- Standard with Hover Boost

**Hover Lift Height Adjustable Bases**

Electric - 2 Leg



Model Number	T-Foot Length	Worksurface Width	Worksurface Length	Price
<b>For 24" and 30" Deep Worksurfaces</b>				
HV-AE23-2448-??	23	24/30	48	\$2,787
HV-AE23-2454-??	23	24/30	54	\$2,803
HV-AE23-2460-??	23	24/30	60	\$2,808
HV-AE23-2466-??	23	24/30	66	\$2,826
HV-AE23-2472-??	23	24/30	72	\$2,838
HV-AE23-2478-??	23	24/30	78	\$2,853
HV-AE23-2484-??	23	24/30	84	\$2,947
<b>For 30" and 36" Deep Worksurfaces</b>				
HV-AE29-3648-??	29	30/36	48	\$2,829
HV-AE29-3654-??	29	30/36	54	\$2,846
HV-AE29-3660-??	29	30/36	60	\$2,850
HV-AE29-3666-??	29	30/36	66	\$2,869
HV-AE29-3672-??	29	30/36	72	\$2,881
HV-AE29-3678-??	29	30/36	78	\$2,896
HV-AE29-3684-??	29	30/36	84	\$2,990

- Please specify base finish when ordering. Premium colors available with 10% increase, OP-COLOR. See page 6 for finish options.
- Tops specified separately.
- Bases ship unassembled.
- Includes adjustable glides. 2" high Casters available, add OP-CAST-OMT-A for \$148 (set of 4).
- Programmable digital control available, add AC-CNTL-DIGI for \$261.
- External safety sensor available, add AC-DRBK-OMT for \$349.

**Hover Lift Height Adjustable Bases**

Electric - 3 Leg - 120 Degree



Model Number	T-Foot Length	Worksurface Width	Worksurface Length	Price
<b>For 24" Deep Worksurfaces</b>				
HV-AE12-4242-23-??	23	42	42	\$3,950
HV-AE12-4848-23-??	23	48	48	\$4,013
HV-AE12-5454-23-??	23	54	54	\$4,153
<b>For 30" Deep Worksurfaces</b>				
HV-AE12-4242-29-??	29	42	42	\$3,992
HV-AE12-4848-29-??	29	48	48	\$4,056
HV-AE12-5454-29-??	29	54	54	\$4,195

- Please specify base finish when ordering. Premium colors available with 10% increase, OP-COLOR. See page 6 for finish options.
- Tops specified separately.
- Bases ship unassembled.
- Programmable digital control available, add AC-CNTL-DIGI for \$261.
- External safety sensor available, add AC-DRBK-OMT for \$349.

**Hover Lift Height Adjustable Bases**

Electric - 3 Leg - 90 Degree Symmetrical



Model Number	T-Foot Length	Worksurface Width	Worksurface Length	Price
<b>For 24" Deep Worksurfaces</b>				
HV-AE90-4848-23-??	23	48	48	\$4,150
HV-AE90-5454-23-??	23	54	54	\$4,213
HV-AE90-6060-23-??	23	60	60	\$4,353
<b>For 30" Deep Worksurfaces</b>				
HV-AE90-4848-29-??	29	48	48	\$4,146
HV-AE90-5454-29-??	29	54	54	\$4,192
HV-AE90-6060-29-??	29	60	60	\$4,256

- Please specify base finish when ordering. Premium colors available with 10% increase, OP-COLOR. See page 6 for finish options.
- Tops specified separately.
- Bases ship unassembled.
- Programmable digital control available, add AC-CNTL-DIGI for \$261.
- External safety sensor available, add AC-DRBK-OMT for \$349.

**Hover Lift Height Adjustable Bases**

Electric - 3 Leg - 90 Degree



Model Number	T-Foot Length	Worksurface Width	Worksurface Length	Price
<b>For 24" Deep Return Connection and 24" Deep Workspace</b>				
HV-AE90-4266-23-??	23	42	66	\$4,193
HV-AE90-4272-23-??	23	42	72	\$4,198
HV-AE90-4278-23-??	23	42	78	\$4,216
HV-AE90-4866-23-??	23	48	66	\$4,216
HV-AE90-4872-23-??	23	48	72	\$4,221
HV-AE90-4878-23-??	23	48	78	\$4,239
HV-AE90-5466-23-??	23	54	66	\$4,248
HV-AE90-5472-23-??	23	54	72	\$4,252
HV-AE90-5478-23-??	23	54	78	\$4,271
HV-AE90-6066-23-??	23	60	66	\$4,318
HV-AE90-6072-23-??	23	60	72	\$4,322
HV-AE90-6078-23-??	23	60	78	\$4,341
<b>For 24" Deep Return Connection and 30" Deep Workspace</b>				
HV-AE90-4266-29-??	23/29	42	66	\$4,219
HV-AE90-4272-29-??	23/29	42	72	\$4,236
HV-AE90-4278-29-??	23/29	42	78	\$4,240
HV-AE90-4866-29-??	23/29	48	66	\$4,219
HV-AE90-4872-29-??	23/29	48	72	\$4,236
HV-AE90-4878-29-??	23/29	48	78	\$4,240
HV-AE90-5466-29-??	23/29	54	66	\$4,242
HV-AE90-5472-29-??	23/29	54	72	\$4,259
HV-AE90-5478-29-??	23/29	54	78	\$4,263
HV-AE90-6066-29-??	23/29	60	66	\$4,274
HV-AE90-6072-29-??	23/29	60	72	\$4,290
HV-AE90-6078-29-??	23/29	60	78	\$4,295

- Please specify base finish when ordering. Premium colors available with 10% increase, OP-COLOR. See page 6 for finish options.
- Tops specified separately.
- Bases ship unassembled.
- Programmable digital control available, add AC-CNTL-DIGI for \$261.
- External safety sensor available, add AC-DRBK-OMT for \$349.

**Hover Reach Height Adjustable Bases - 2 Leg for Rectangular Worksurfaces**

Electric - 3 Stage



Model Number	T-Foot Length	Worksurface Width	Worksurface Length	Price
<b>For 24" and 30" Deep Worksurfaces</b>				
ML-3STG-2472-SV	23	24/30	48/72	\$1,162
<b>For 30" and 36" Deep Worksurfaces</b>				
ML-3STG-3072-SV	29	30/36	48/72	\$1,197

- Silver finish standard.
- Tops specified separately. Bases ship unassembled with tool-free quick-install components.
- Includes adjustable steel frame, adjustable glides and programmable digital control.
- Base can accommodate tops up to 84" with the addition of ML-2LEG-EXKT for \$380

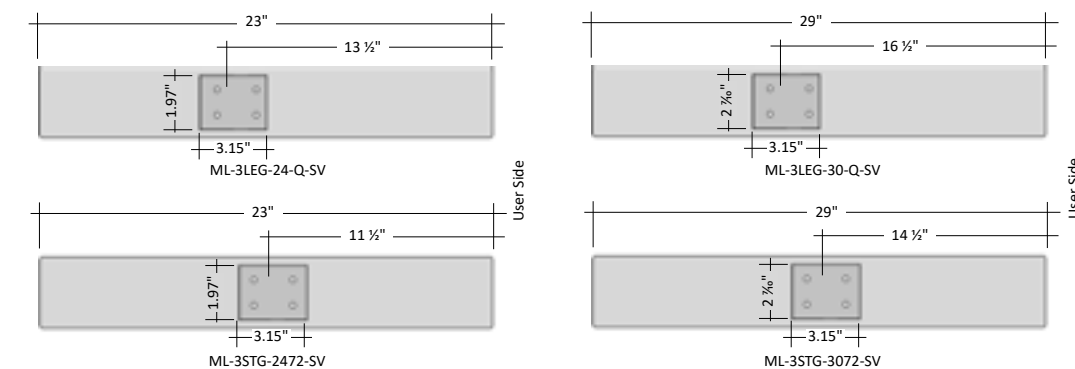
**Hover Reach Height Adjustable Bases - 3 Leg for 120 or 90 Degree Worksurfaces**

Electric - 3 Stage



Model Number	T-Foot Length	Worksurface Width	Worksurface Length	Price
<b>For 24" and 30" Deep Worksurfaces</b>				
ML-3LEG-24-Q-SV	23	24/30	84x84	\$2,034
<b>For 30" and 36" Deep Worksurfaces</b>				
ML-3LEG-30-Q-SV	29	30/36	84x84	\$2,068

- Silver finish standard.
- Tops specified separately. Bases ship unassembled with tool-free quick-install components.
- Includes adjustable steel frame, adjustable glides and programmable digital control.
- Universal bracket for both 120 degree and 90 degree applications.
- NOTE: The Reach 3-Leg has a C-Leg Style foot - the leg column is slightly off-center, farther from the user side. See below for diagram.



**Hover Boost Height Adjustable Bases - 2 Leg for Rectangular Worksurfaces**

Electric - 2 Stage



Model Number	T-Foot Length	Worksurface Width	Worksurface Length	Price
<b>For 24" and 30" Deep Worksurfaces</b>				
ML-2STG-2472-??	23	24/30	42/72	\$998
<b>For 30" and 36" Deep Worksurfaces</b>				
ML-2STG-3072-??	29	30/36	42/72	\$1,029

- Silver finish standard. Black and White may require additional lead time.
- Tops specified separately. Bases ship unassembled with tool-free quick-install components.
- Includes adjustable steel frame, adjustable glides and programmable digital control.
- Base can accommodate tops up to 84" with the addition of ML-2LEG-EXKT for \$380

Please visit [Deskmakers.com](https://deskmakers.com) to view our current **Terms and Conditions**.



Please visit [Deskmakers.com](https://deskmakers.com) to view our current **Warranty**.

## Showroom Locations

### Los Angeles

DeskMakers Headquarters  
6525 Flotilla Street  
Commerce, CA 90040

---

**DeskMakers**

Phone: 323.264.2260 | Fax: 323.725.6960  
[www.deskmakers.com](http://www.deskmakers.com)