



# hover

PRICE & SPECIFICATION GUIDE

---

Version: 03.15.24  
*prices effective April 1, 2024*

The logo for DeskMakers, featuring the word "Desk" in a grey sans-serif font and "Makers" in a bold, black sans-serif font, with a horizontal orange line above the "Makers" portion.

## revisions

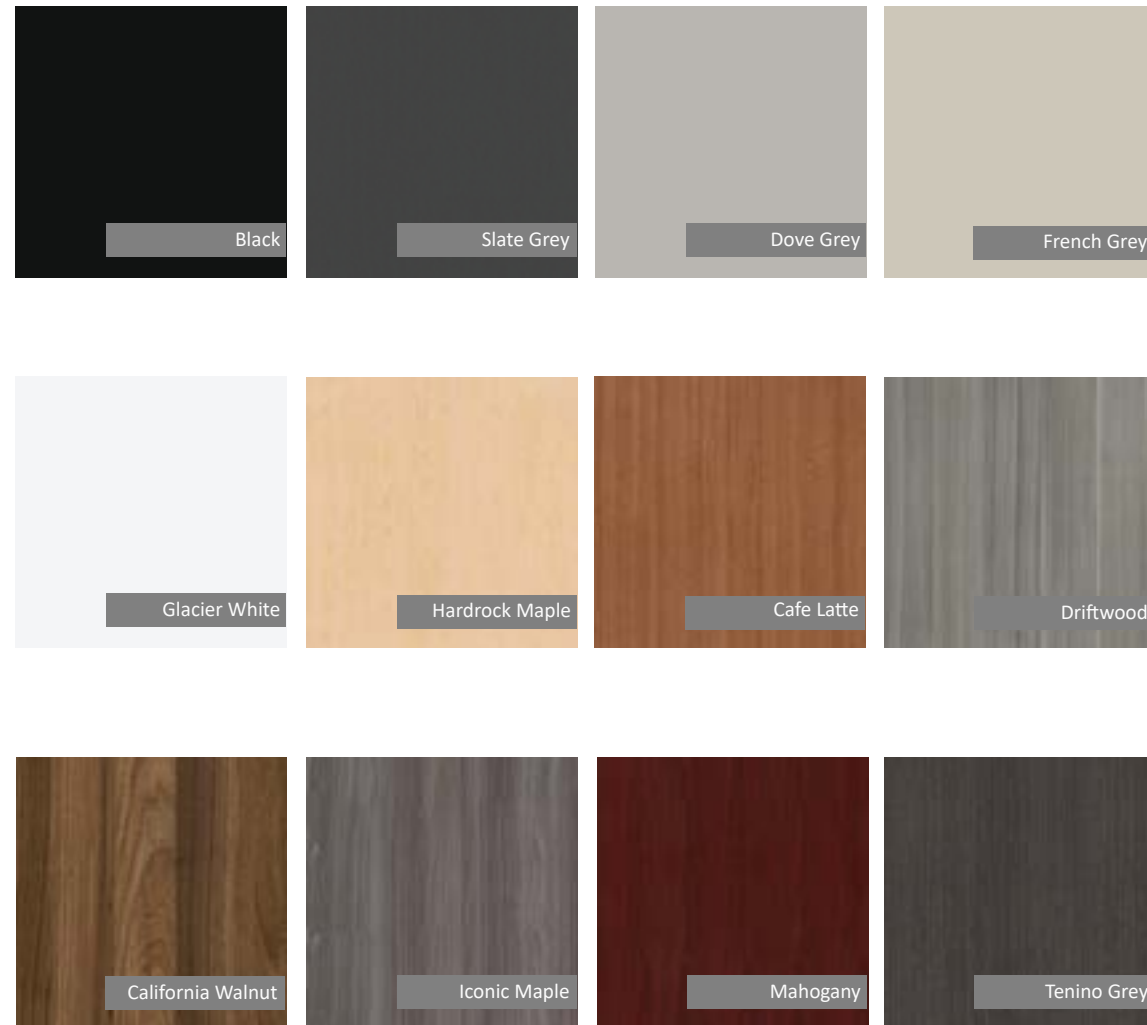
10/24/19	Updated layout and finishes
12/08/20	Updated base finish options
01/01/21	Updated pricing and finishes
04/09/21	Updated pricing on 2 leg G bases
09/01/21	Updated finishes
11/19/21	Added Hover Boost and Reach Bases
12/20/21	Updated pricing and finishes
03/31/22	Updated select pricing and skus
04/11/22	Corrected ML-2LEG-EXKT pricing
08/18/22	Added surcharge note
12/01/22	Updated pricing
02/16/23	Corrected Skus for 90 Degree Symmetrical Worksurfaces
04/27/23	Updated Lift Base pricing
10/18/23	Updated finishes
03/24/24	Updated pricing

## table of contents

Laminates	4-5
Height Adjustable Base Finishes	6
Pulls	7
Product Details	8-33
Height Adjustable Bases	8-11
Worksurfaces	12
Troughs	13-15
Platform Troughs	16-17
Raised Panel Troughs	18-19
Partition Troughs	20-21
Privacy Options	22-25
Storage Options	26-27
Personal Storage Towers	28-29
Electrical	30-33
Worksurfaces	34-37
Laminate Combination Panels	37
Height Adjustable Bases	38-42
Platform Troughs	43-44
Raised Panel Troughs	45-46
Partition Troughs	47-54
120 Troughs	55-60
Single Sided Troughs	61-70
End Panels	71-78
Divider Panels	79-82
Extension Panels	83-84
Personal Storage Towers	85
Accessories	86
Terms and Conditions	87
Warranty	88

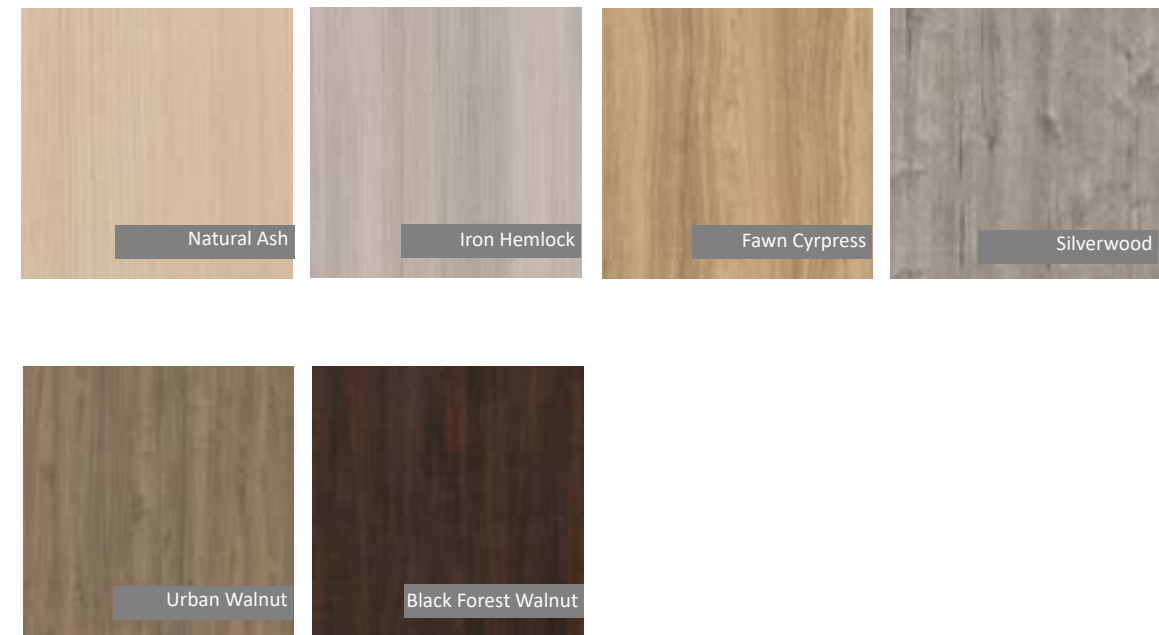
# laminates finishes

## standard thermofuse laminate (TFL)



Matching 2MM PVC edgebanding is available for all Standard TFL finishes shown here.  
For HPL match information please visit [deskmakers.com/resources/materials](https://deskmakers.com/resources/materials)

## premium thermofuse laminate (TFL)



Premium TFLs require a 10% upcharge. Add item code OP-TTFL-1.  
Matching 2MM PVC edgebanding is available for all Premium TFL finishes shown here.  
For HPL match information please visit [deskmakers.com/resources/materials](https://deskmakers.com/resources/materials)

# laminates finishes

## high pressure laminate (HPL)

Pricing shown in this price list applies only to non-premium HPLs as follows:

- Wilsonart: Solids, Woodgrains, and Abstracts in Matte (-60) finish,
- Formica: Color Portfolio, Woodgrains, and Patterns in Matte (-58) finish
- Pionite: Solids, Woodgrains, and Abstracts in Suede (N) finish
- Arborite: Solids, Woodgrains, Textures and Abstracts in Matte (CA) finish
- Nevamar: Solids, Woodgrains, Stones and Abstracts in ARP (-T) finish

A minimum charge of \$520 net per HPL color will be applied to each order.

Call customer service for pricing for all other HPLs.

Additional lead times required for HPL orders depending on material availability and order complexity.

### high pressure laminate (HPL) pricing chart

Most DeskMakers product is made of Thermofuse laminate (TFL). As such, there is an upcharge for ordering product in high pressure laminate (HPL). This upcharge varies based on the product and the size of the HPL order.

Please note that only the portion of the order in HPL will be calculated to determine the level of HPL upcharges.

HPL is always available with DeskMakers standard 2MM edgebanding. Special order matching PVC 2MM edgebanding may be available for orders \$25,000 List or larger, call customer service for pricing.

Product Category	Option Code	HPL UPCHARGE
<b>WORKSURFACES</b> All Shapes <i>Top surface HPL</i>	OP-HPL1-25-??	60%
<b>CASEGOODS</b> Top HPL only, balance TFL	OP-HPL1-1-??	25%
<b>CASEGOODS</b> Entire Unit HPL	OP-HPL1-4-??	120%
<b>CASEGOODS</b> HPL Drawer Fronts only	OP-HPL1-2-??	20%
<b>CASEGOODS</b> Top HPL and HPL Drawer Fronts	OP-HPL1-3-??	30%

# pulls

## standard pulls

Pulls are included on all drawers and cabinet doors for no upcharge.



101SN



101BL



105SN



115SN



115BL



201SN



125SN\*



125BL\*



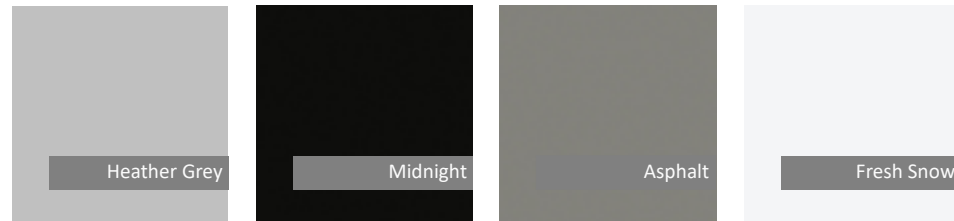
201BL

\*The 125SN/BL pull is 7.5" long. On lateral file drawers and larger cabinet doors a longer 12.5" pull in the same style will be used. This may be identified as a "127SN/BL" pull on your acknowledgment.

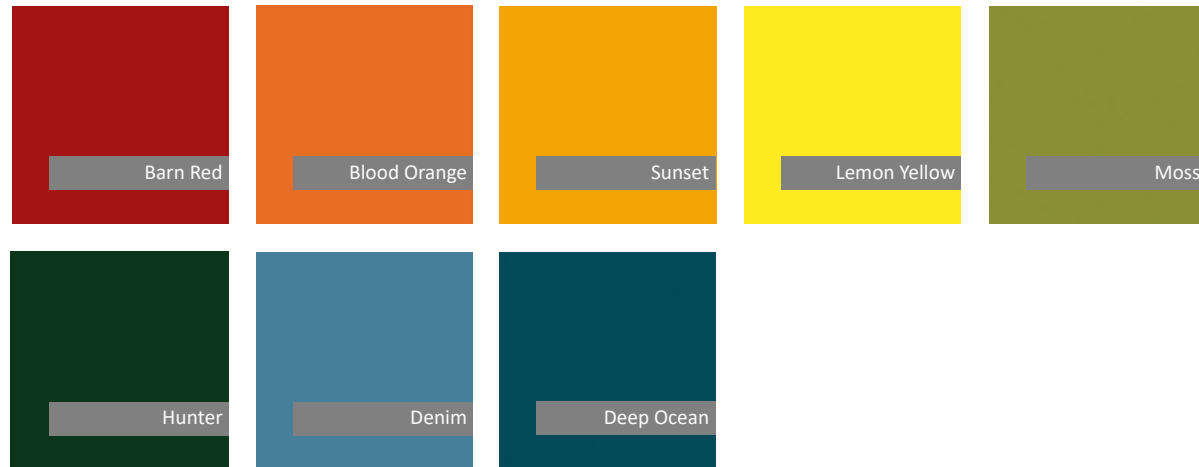
# base finishes

## Hover Lift Bases

standard



premium - 10% upcharge (OP-COLOR)

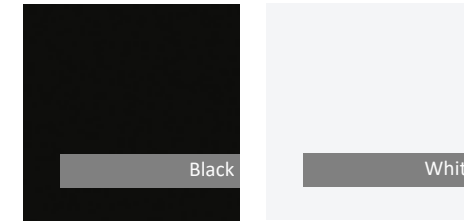


## Hover Reach Bases

standard



premium - 10% upcharge (OP-COLOR)

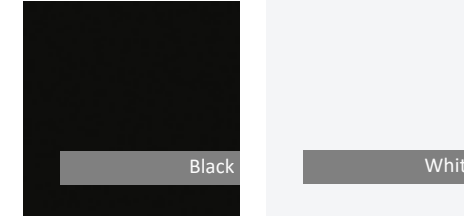


## Hover Boost Bases

standard



premium - 10% upcharge (OP-COLOR)



Hover Lift Height Adjustable Bases



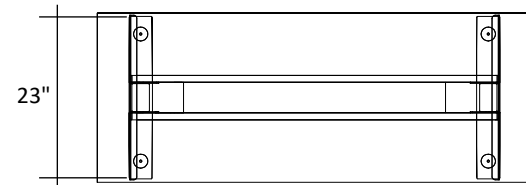
Features

Number of Legs	2 or 3
Height Range w/ Worksurface	27" - 46"
Number of Stages	2
Worksurface Lengths	48" - 84" in 6" increments
Worksurface Depths	24", 30" & 36"
Lifting Capacity	250 lbs (includes worksurface)
Adjustment Speed	1.5"/second
Cord Length	118" long
Finishes	4 standard, 8 at upcharge
Frame	Size Specific
Column Shape	Square
Safety	Anti-Collision Option

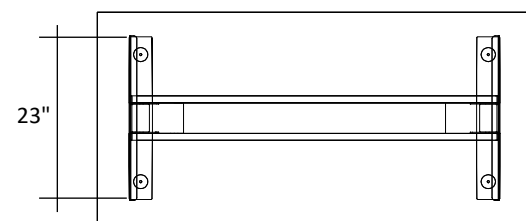
Foot Length

A 60" long worksurface is shown in examples below. The base will 9" shorter that the top, with a 4 1/2" inset on each side when centered.

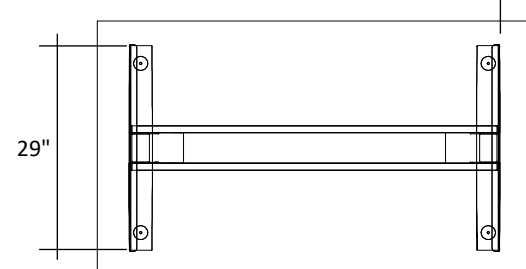
24" Deep Worksurface



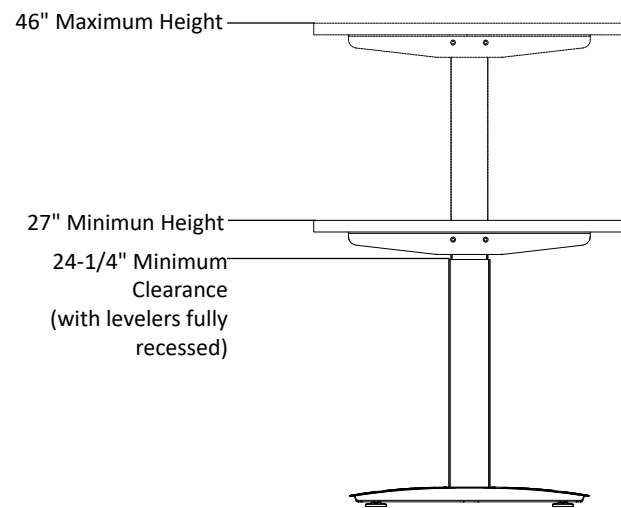
30" Deep Worksurface



36" Deep Worksurface



\* 29" foot may also be specified for 30" worksurfaces.



Standard Up/Down Control



- Standard on Hover Lift bases
- Simple Up/Down function
- After 2 minutes defaults control box to standby mode

Programmable Digital Control



- Add-on option for Hover Lift bases : AC-CNTL-DIGI for \$249
- Save 4 different positions
- LCD display
- Set in centimeters or inches
- After 2 minutes defaults control box to standby mode

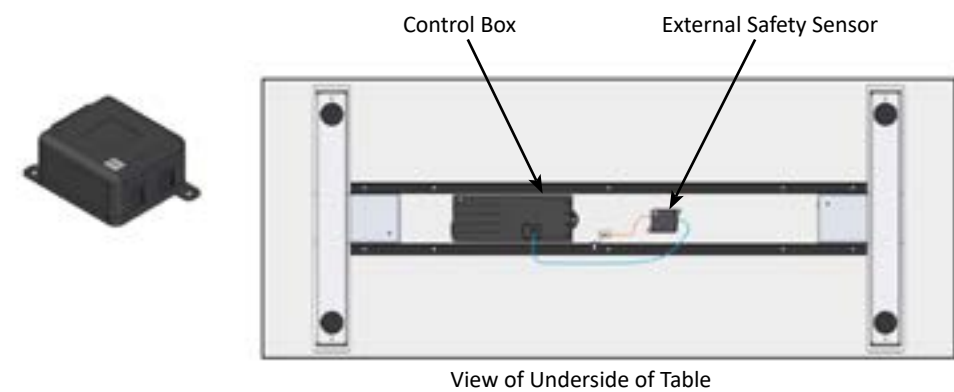
Locking Casters

The Hover Lift height adjustable bases are available with optional locking casters. Casters increase the overall table height by 2".



External Safety Sensor

An External Safety Sensor is able to detect even the smallest deformation. When a collision or restriction of movement is detected, the External Safety Sensor triggers the motors to move in the opposite direction to release the pinched obstacle. The External Safety Sensor can be added to the Hover Lift bases after installation. AC-DRBK-OMT for \$332.



All Hover electric height adjustable bases are equipped with Intelligent System Protection (ISP). ISP is used to protect base motors, control boxes and internal components from damage resulting from collision or restriction of movement. The ISP is not intended for protection of the end user, and is less sensitive than the External Safety Sensor.

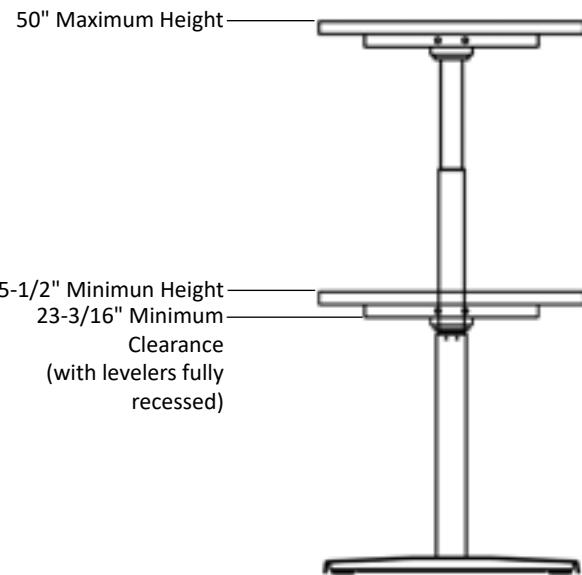
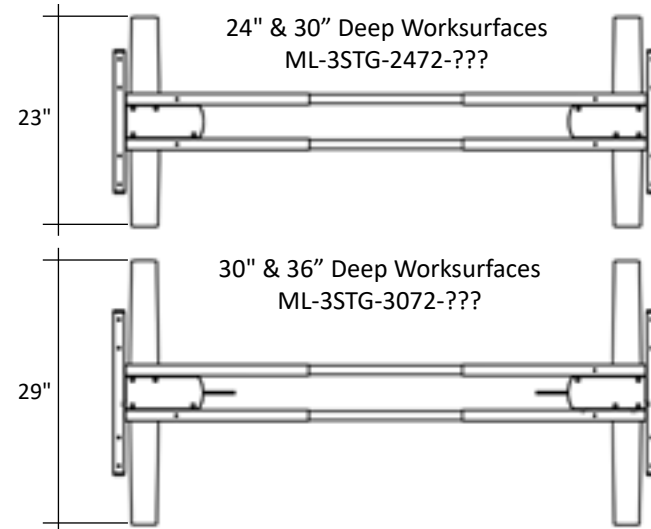
Hover Reach Height Adjustable Bases



Features

Number of Legs	2 or 3
Height Range w/ Worksurface	22.75" - 49"
Number of Stages	3
Worksurface Lengths	42" - 72" (Up to 84" w/ ext. kit)
Worksurface Depths	24", 30" & 36"
Lifting Capacity	220 lbs (includes worksurface)
Adjustment Speed	1.4"/second
Cord Length	72" long
Finishes	Silver
Frame	Adjustable
Column Shape	Square
Safety	Anti-Collision Built-in

Foot Length



Quick Install Legs

- Ships in 1 box
- No tools required for assembly.

Programmable Digital Control

- Save 3 different positions
- LCD display
- Set in centimeters or inches
- Power standby mode
- Standard with Hover Reach

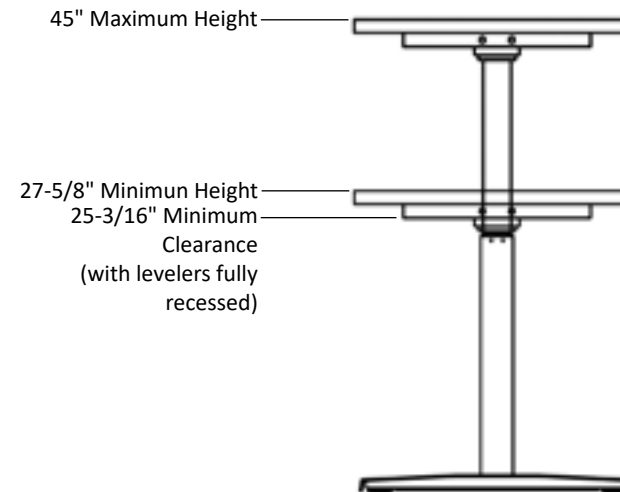
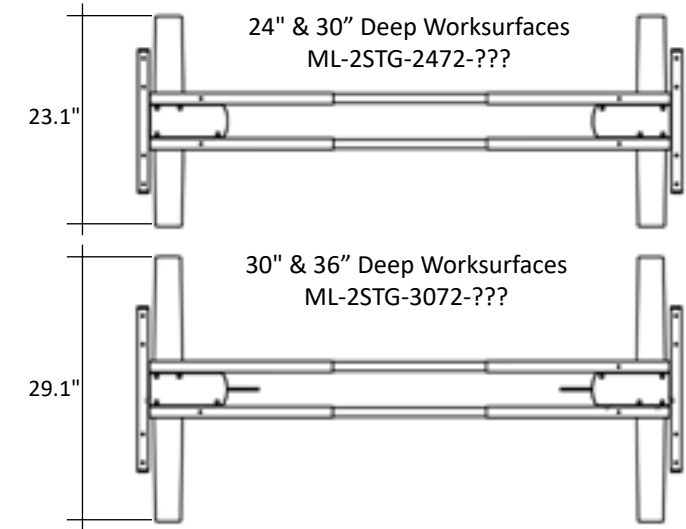
Hover Boost Height Adjustable Bases



Features

Number of Legs	2
Height Range w/ Worksurface	27.75" - 47.4"
Number of Stages	2
Worksurface Lengths	42" - 72" (Up to 84" w/ ext. kit)
Worksurface Depths	24", 30" & 36"
Lifting Capacity	200 lbs (includes worksurface)
Adjustment Speed	1.42"/second
Cord Length	72" long
Finishes	Black, White, Silver
Frame	Adjustable
Column Shape	Square
Safety	Anti-Collision Built-in

Foot Length



Quick Install Legs

- Ships in 1 box
- No tools required for assembly.

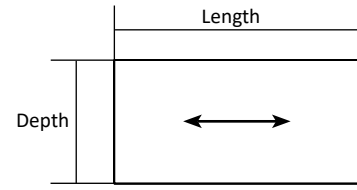
Programmable Digital Control

- Save 3 different positions
- LCD display
- Set in centimeters or inches
- Power standby mode
- Standard with Hover Boost

**Worksurfaces**

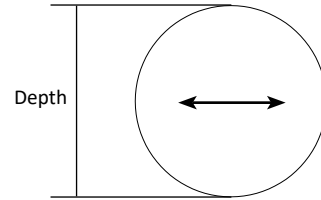
Hover worksurfaces are 1-1/8" thick with 45 pound industrial grade particle board core and are available in rectangular, round, 120 degree and 90 degree shapes. Worksurfaces are available in either TFL with 2MM PVC edge, HPL with 2MM PVC edge or HPL with self edge.

**Rectangular**



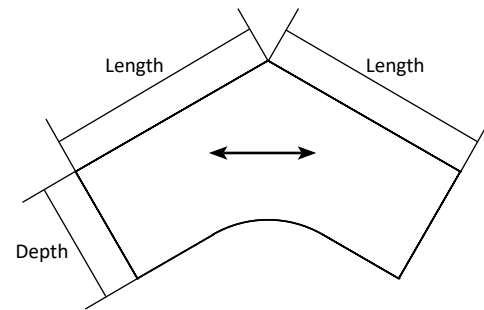
- Depths include 24", 30" and 36".
- Lengths include 48" to 84" in 6" increments.
- All dimensions are actual.

**Round**



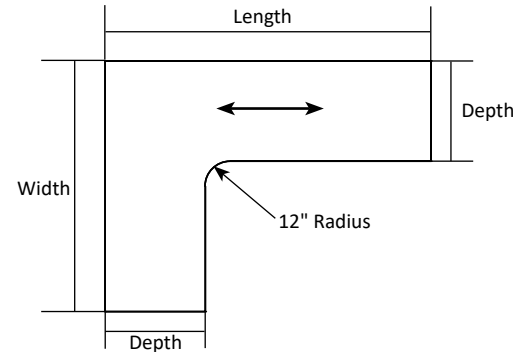
- Depths include 30", 36" and 42".
- All dimensions are actual.

**120 Degree**



- Depths include 24" and 30".
- Lengths include 42", 48" and 54".
- All dimensions are actual.

**90 Degree**



- Depths include 24"/24" and 30"/24".
- Lengths include 66", 72" and 78".
- Widths include 42", 48", 54" and 60".
- All dimensions are actual.

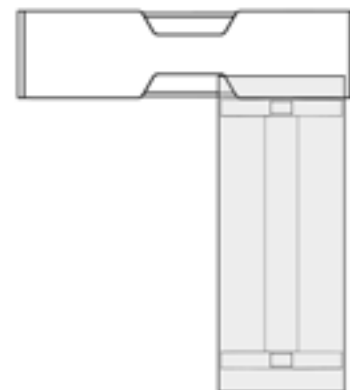
**Worksurface Orientation**

Hover worksurfaces can be placed either parallel or perpendicular to the trough unit in benching set-ups.  
Note: Access to the interior of the troughs may be impeded by the placement of the height adjustable bases.

**Parallel**



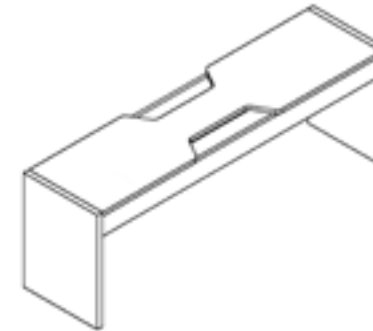
**Perpendicular**



**Hover Troughs**

Hover offers three different trough types to provide varying levels of privacy and space division. Hover Troughs provide structure to route and conceal power, data and voice from floor core or wall locations to multiple workstations.

**Platform Troughs**

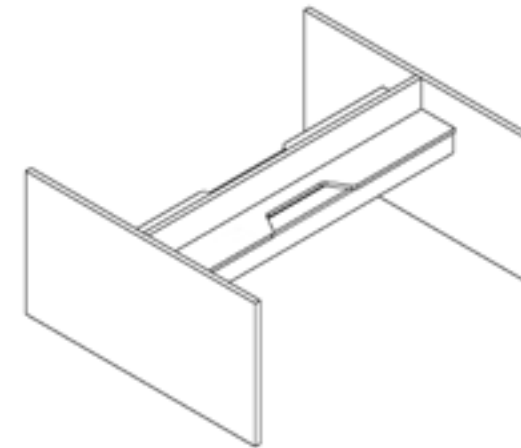


- Low profile, 23" high.
- Area under trough is open.
- Can be used with or without privacy panels.
- Privacy panels can be mounted directly to trough tops or worksurfaces.
- Available with trough height or desk height end panels.

Available as:

- Benching configurations
- 120 degree configurations

**Raised Panel Troughs**

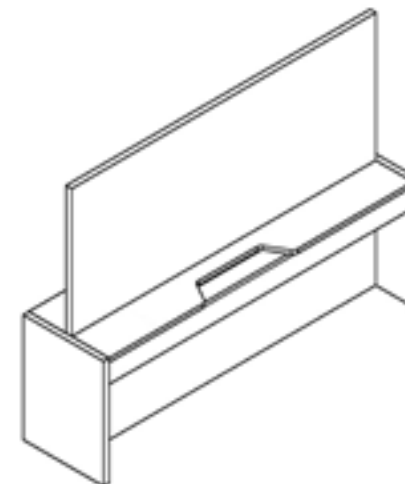


- Center panel extends above the trough top 6", increasing height to 29" high.
- Area under trough is open.
- Can be used with or without privacy panels.
- Privacy panels can be mounted directly to raised center panel.
- Available only with desk height end panels.
- Divider panels and Extension wall panels can be added.

Available as:

- Benching configurations
- 120 degree configurations
- Single Sided configurations

**Partition Troughs**



- Center panel extends through the trough top. Center panel heights: 29", 36", 42" & 48" high.
- Center panel extends below the trough to the floor.
- Can be used with or without privacy panels.
- Privacy panels can be mounted directly to raised center panel.
- Panel mounted tackboards and whiteboard surfaces can be applied to the center panel for increased function.
- Available with trough height, desk height or center panel height end panels.
- Divider panels and Extension wall panels can be added.

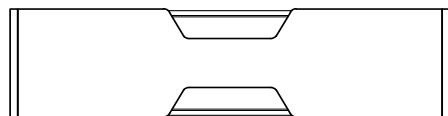
Available as:

- Benching configurations
- 120 degree configurations
- Single Sided configurations



**Trough Cutout Locations**

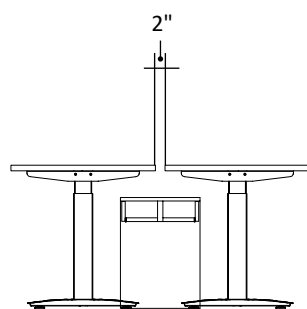
Wire access cutouts in the top of the trough are located in the center for ease of specification.



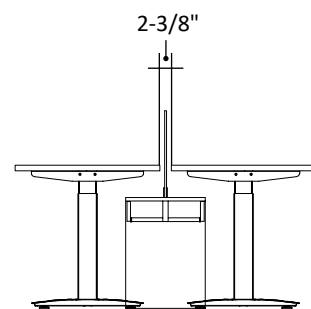
**Worksurface Clearance with Privacy**

Hover worksurfaces must maintain minimum clearances between worksurface edges and privacy panels or wall panels to minimize possible pinch point hazards.

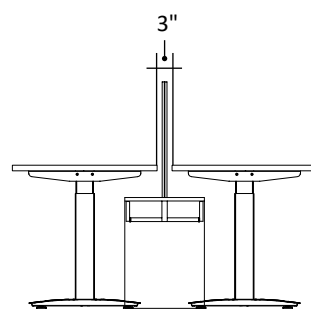
**Platform Trough Clearances**



No Privacy Panels

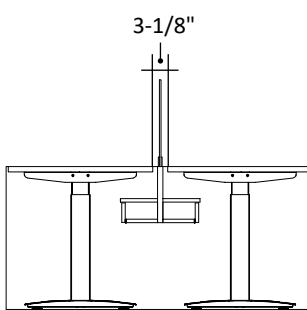


Glass/Acrylic Privacy Panels

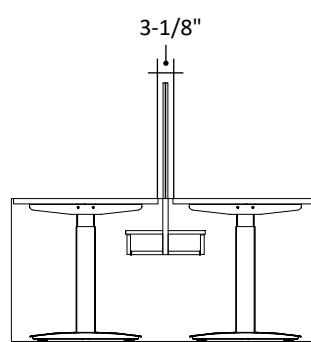


Double Sided Tackboard Privacy Panels

**Raised Panel Trough Clearances**

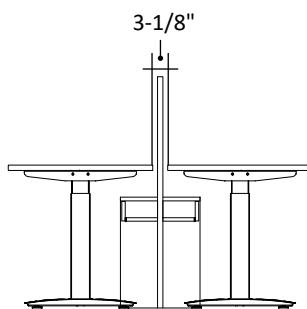


Glass/Acrylic Privacy Panels

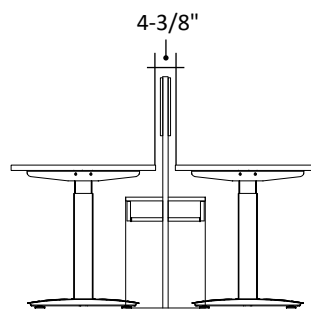


Double Sided Tackboard Privacy Panels

**Privacy Trough Clearances**



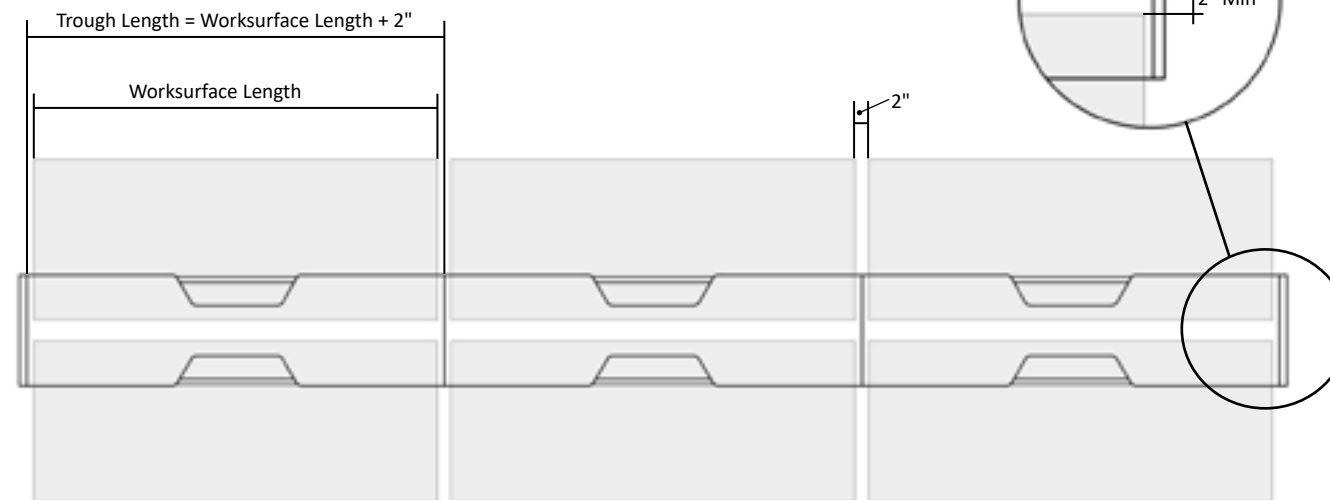
Center Panel Only



Panel Mounted Tackboards

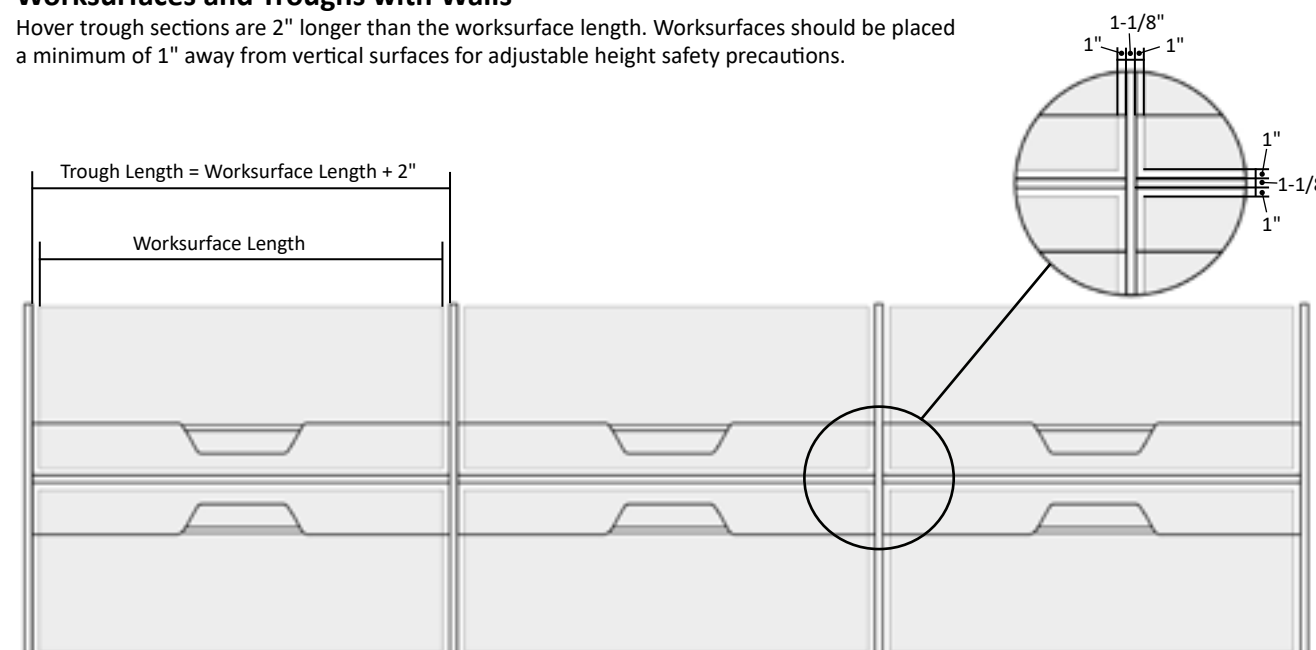
**Worksurfaces and Troughs**

Hover trough sections are 2" longer than the worksurface length. This allows for a 1" gap on either side of the worksurface for adjustable height safety precautions. This results in a 2" gap between side by side worksurfaces.



**Worksurfaces and Troughs with Walls**

Hover trough sections are 2" longer than the worksurface length. Worksurfaces should be placed a minimum of 1" away from vertical surfaces for adjustable height safety precautions.

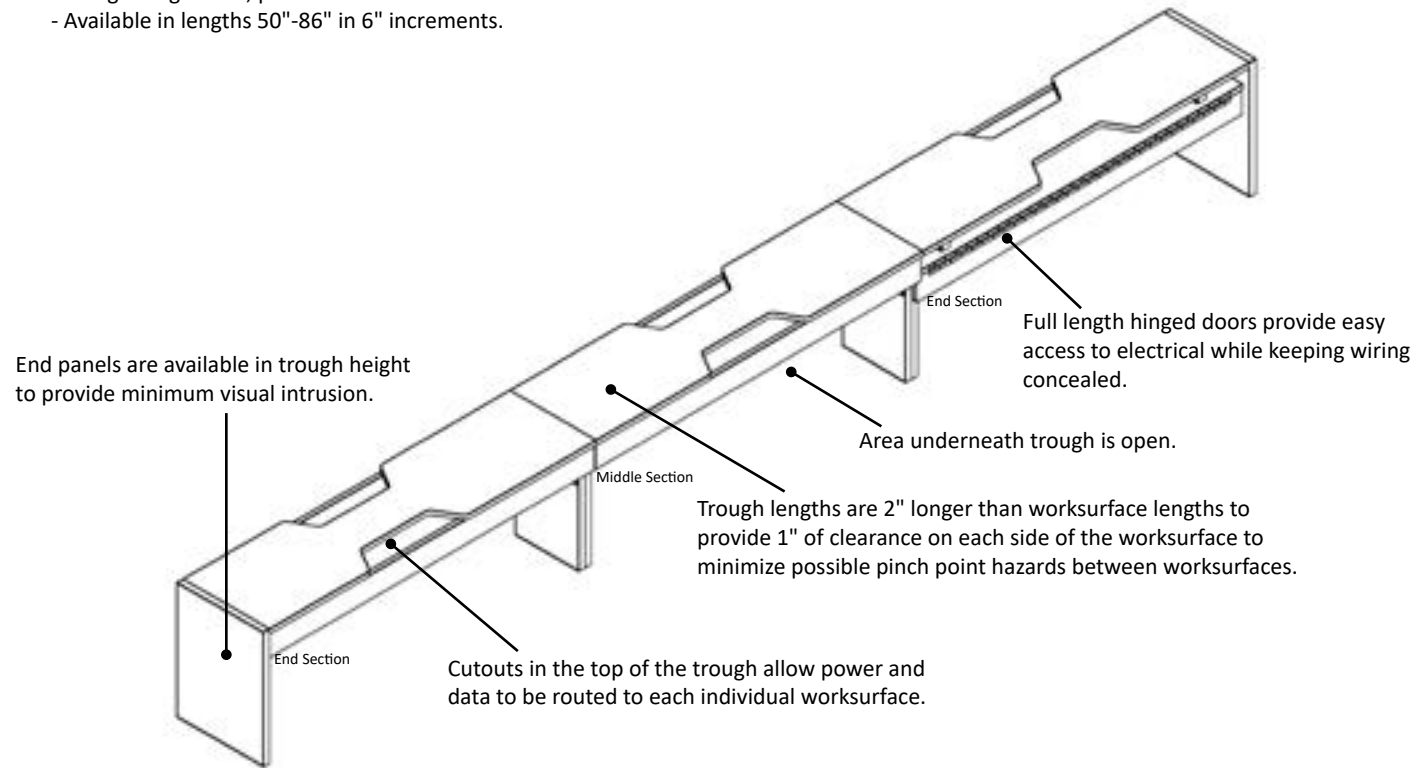


**Understanding Hover Platform Troughs**

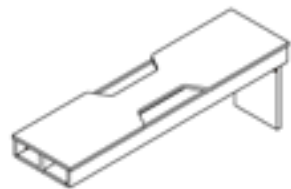
Hover Platform Troughs provide structure to route and conceal power, data and voice from floor core or wall locations to multiple workstations. Platform troughs allow privacy panels to be mounted directly to trough tops or worksurfaces.

**General Specifications:**

- Trough Width: 16-1/2".
- Trough Height: 23", plus levelers.
- Available in lengths 50"-86" in 6" increments.

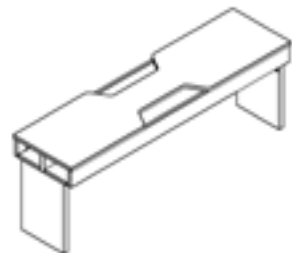


**Platform Trough Sections**



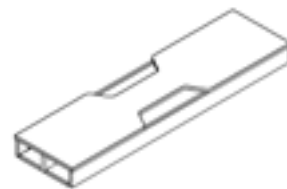
**End Section**

- Used at beginning and end of bench run.
- Must specify end panel.
- Includes intermediate leg support and supporting brackets.
- Trough sections 80" and 86" long include additional intermediate leg in center.



**Middle Section**

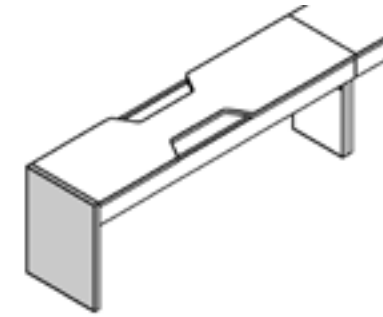
- Used only in the middle of a bench run.
- Middle sections must connect to an end section or another middle section.
- Includes two intermediate support legs and supporting brackets.
- Trough sections 80" and 86" long include additional intermediate leg in center.



**Spanning Section**

- Used to span between two end panels or divider panels.
- Includes trough section.
- End panels or divider panels must be specified for each spanning section.
- Trough sections 80" and 86" long include additional intermediate leg in center.

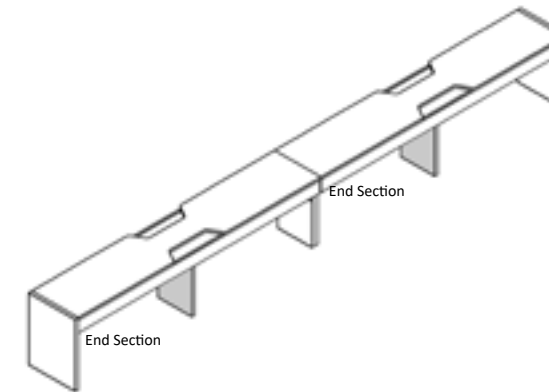
**Platform Trough End Panel Option**



**Trough Height End Panels**

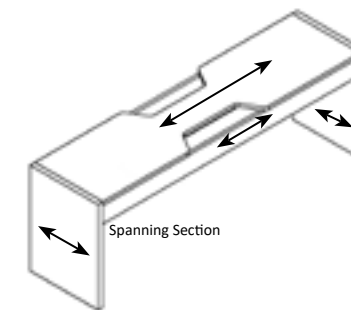
- End Panels are 1-1/8" thick material.
- End Panels increase the overall length of the setup by 1-1/8" per end panel.

**Platform Trough Intermediate Leg**



- 80" and 86" Troughs include an additional intermediate leg support mounted in the center of trough for additional structural support.

**Platform Trough and End Panel Grain Direction**

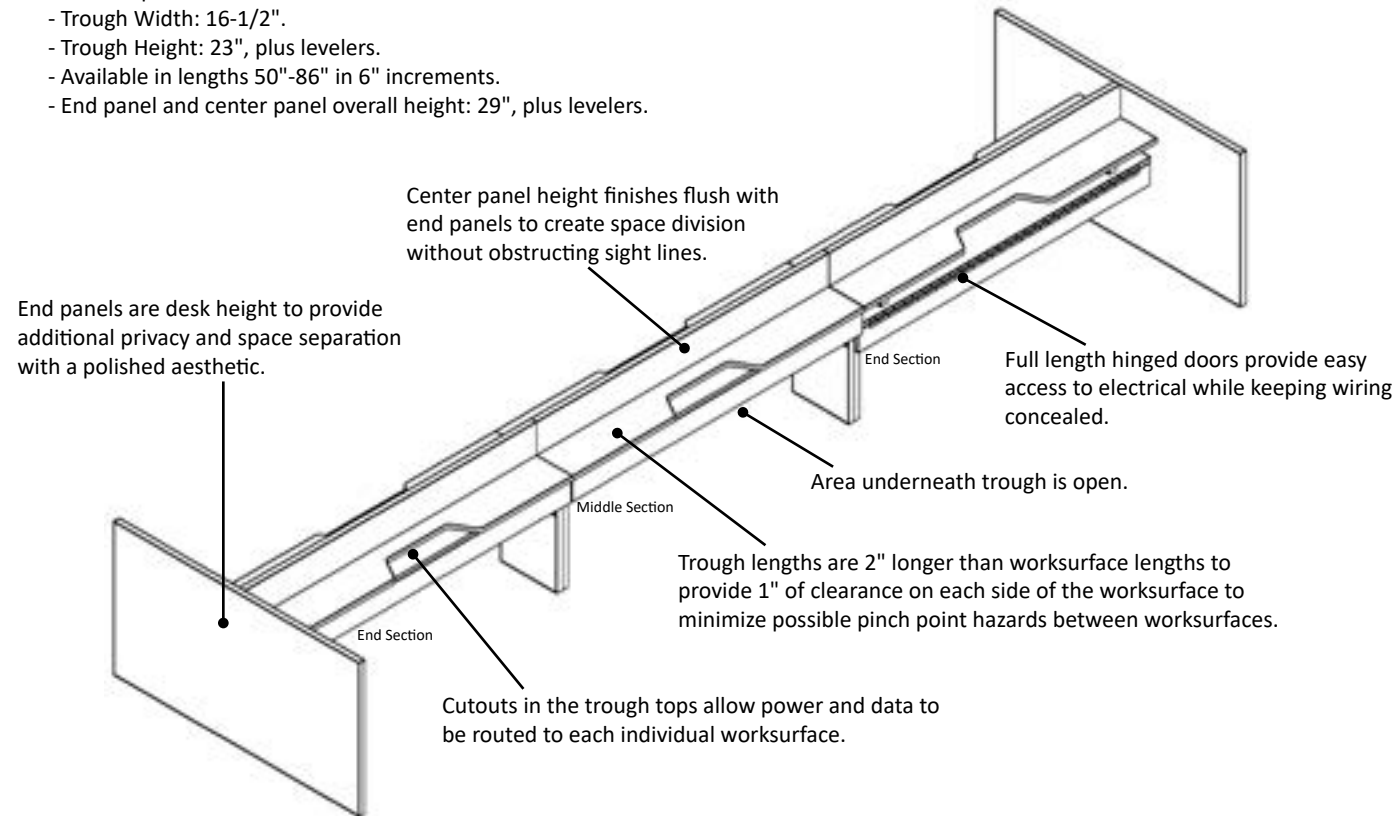


### Understanding Hover Raised Panel Troughs

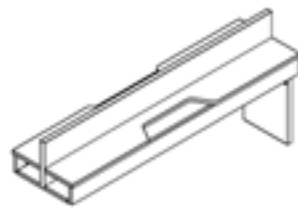
Hover Raised Panel Troughs provide structure to route and conceal power, data and voice from floor core or wall locations to multiple workstations. Raised Panel troughs allow privacy panels to be mounted directly to the raised center panel to increase overall height of privacy.

**General Specifications:**

- Trough Width: 16-1/2".
- Trough Height: 23", plus levelers.
- Available in lengths 50"-86" in 6" increments.
- End panel and center panel overall height: 29", plus levelers.

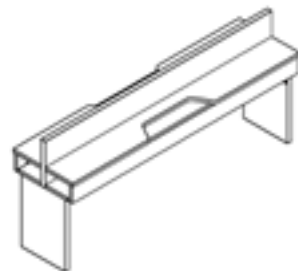


### Raised Panel Trough Sections



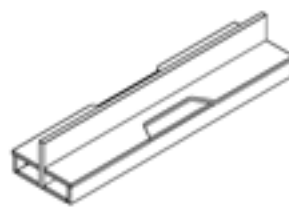
**End Section**

- Used at beginning and end of bench run.
- Must specify end panel.
- Includes intermediate leg support and supporting brackets.
- Trough sections 80" and 86" long include additional intermediate leg in center.



**Middle Section**

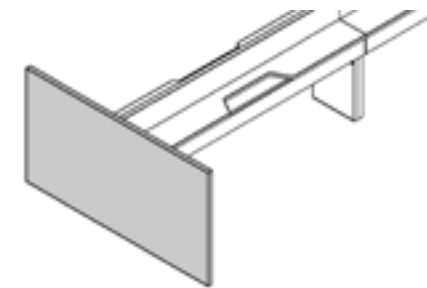
- Used only in the middle of a bench run.
- Middle sections must connect to an end section or another middle section.
- Includes two intermediate support legs and supporting brackets.
- Trough sections 80" and 86" long include additional intermediate leg in center.



**Spanning Section**

- Used to span between two end panels or divider panels.
- Includes trough section.
- End panels or divider panels must be specified for each spanning section.
- Trough sections 80" and 86" long include additional intermediate leg in center.

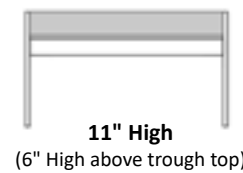
### Raised Panel Trough End Panel Options



**Desk Height End Panels**

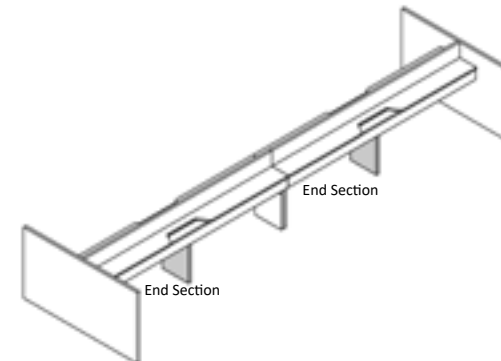
- End Panels are 1-1/8" thick material.
- End Panels increase the overall length of the setup increases by 1-1/8" per end panel.

### Raised Panel Trough Center Panel Height



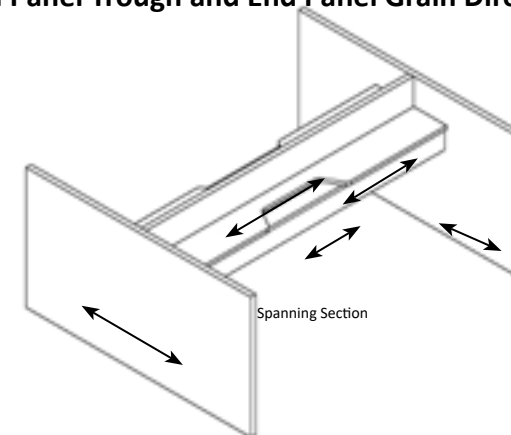
- Center panels are 1-1/8" thick material.
- Glass privacy panels or double sided tackboards can be added to the top edge of center panels for increased privacy.

### Raised Panel Trough Intermediate Leg



- 80" and 86" Troughs include an additional intermediate leg support mounted in the center of trough for additional structural support.

### Raised Panel Trough and End Panel Grain Direction

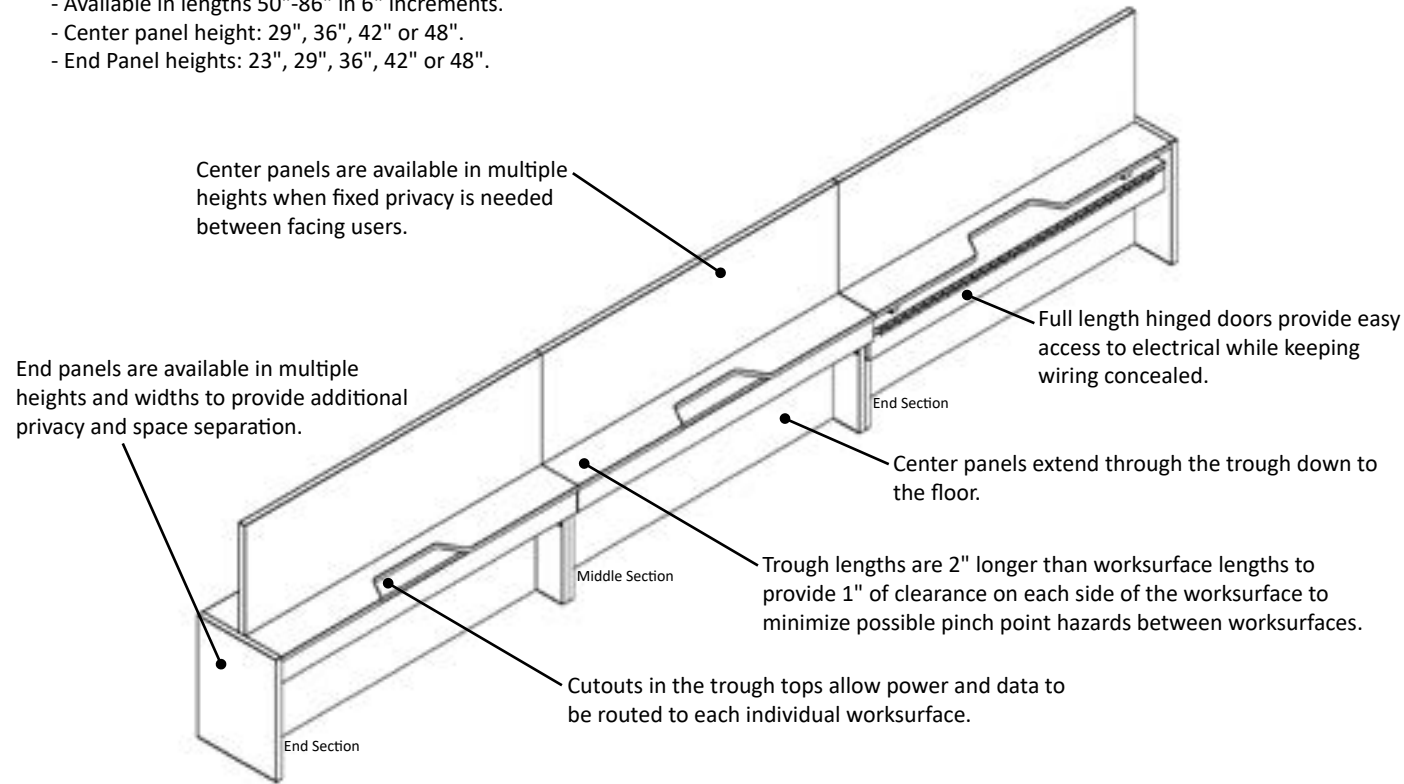


**Understanding Hover Partition Troughs**

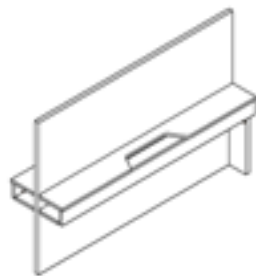
Hover Partition Troughs provide structure to route and conceal power, data and voice from floor core or wall locations to multiple workstations. Partition troughs allow privacy panels to be mounted directly to the raised center panel to increase overall height of privacy. Panel mounted tackboards and whiteboard surfaces can be applied to the center panel for increased functionality.

**General Specifications:**

- Trough Width: 16-1/2".
- Trough Height: 23", plus levelers.
- Available in lengths 50"-86" in 6" increments.
- Center panel height: 29", 36", 42" or 48".
- End Panel heights: 23", 29", 36", 42" or 48".

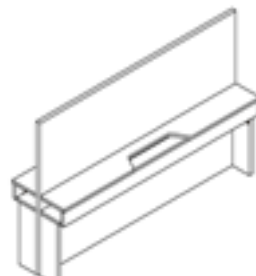


**Partition Trough Sections**



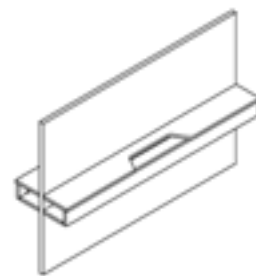
**End Section**

- Used at beginning and end of bench run.
- Must specify end panel.
- Includes intermediate leg support and supporting brackets.



**Middle Section**

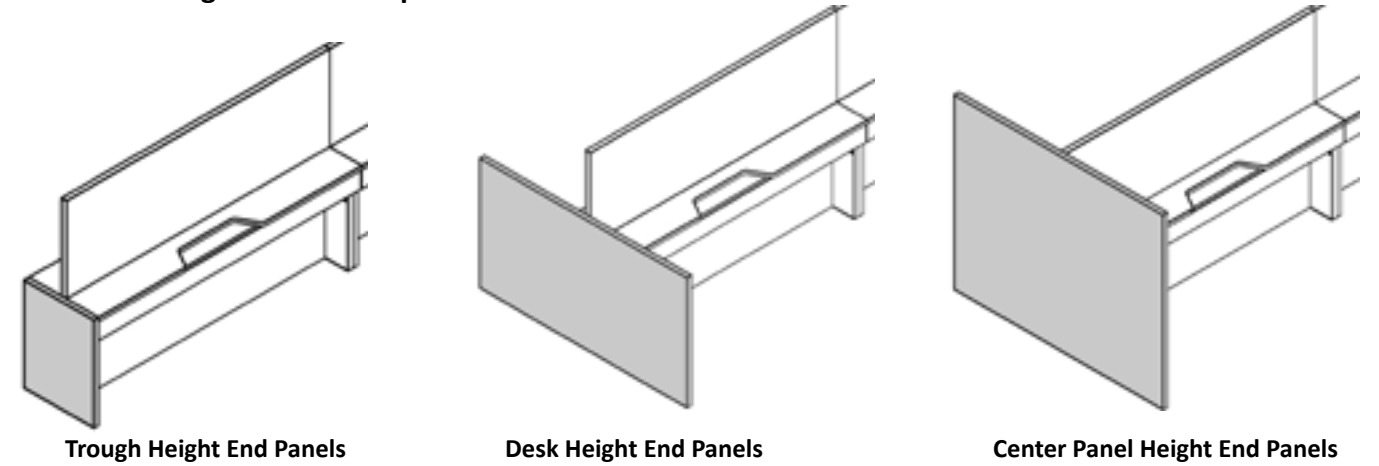
- Used only in the middle of a bench run.
- Middle sections must connect to an end section or another middle section.
- Includes two intermediate support legs and supporting brackets.



**Spanning Section**

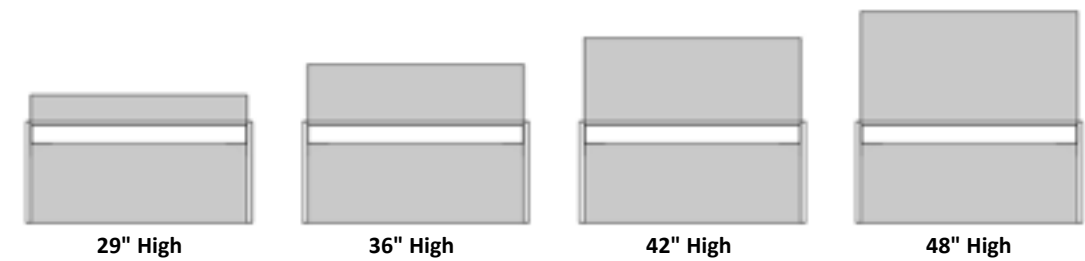
- Used to span between two end panels or divider panels.
- Includes trough section.
- End panels or divider panels must be specified for each spanning section.

**Partition Trough End Panel Options**



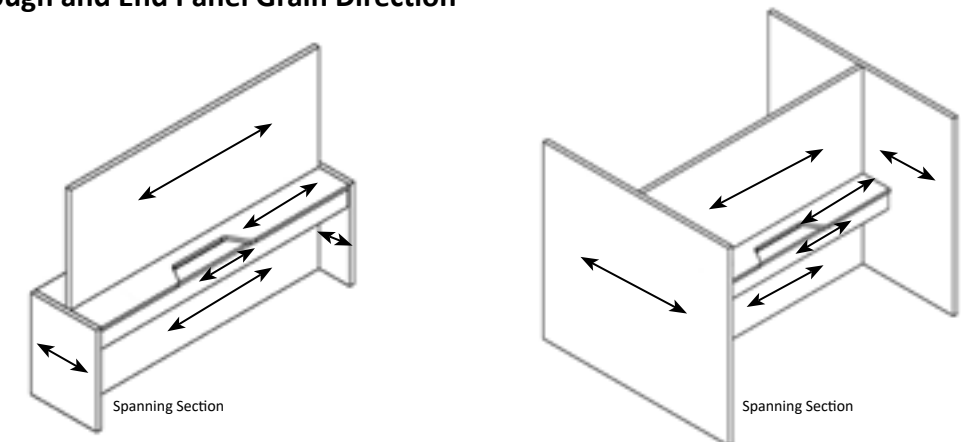
- End Panels are 1-1/8" thick material.
- End Panels increase the overall length of the setup increases by 1-1/8" per end panel.
- 36", 42" & 48" high end panels can only be used with Partition Troughs with the same height center panel or taller center panel.

**Partition Trough Center Panel Heights**



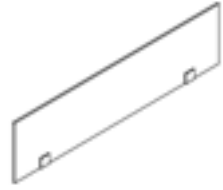
- Center panels are 1-1/8" thick material.
- Panel mounted tackboards can be affixed to center panels. Glass privacy panels or double sided tackboards can be added to the top edge of center panels for increased privacy.
- Whiteboard finish can be added to both sides of the center panels.

**Partition Trough and End Panel Grain Direction**



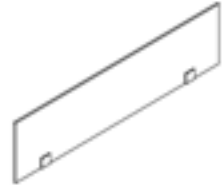
**Hover Troughs with Privacy Options**

A wide variety of privacy panels can be specified with Hover Troughs and height adjustable tables. Please see the Privacy Panel and Tackboard Pricebook for all sizes and pricing.



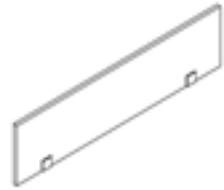
**Glass**

- 1/4" or 3/8" thick.
- 1/4" max height: 12".
- 3/8" max height: 18".
- Lengths: 18" - 86" in 2" increments.
- Mounted with metal panel clips.



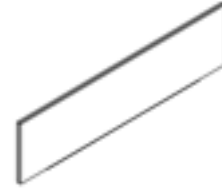
**Acrylic**

- 3/16" thick frosted.
- 1/4" thick colored.
- Max height: 12".
- Lengths: 18" - 86" in 2" increments.
- Mounted with metal panel clips.



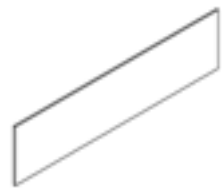
**Laminate/Whiteboard**

- 3/4" thick.
- Max height: 18".
- Lengths: 18" - 86" in 2" increments.
- Mounted with metal panel clips.



**Double Sided Tackboard**

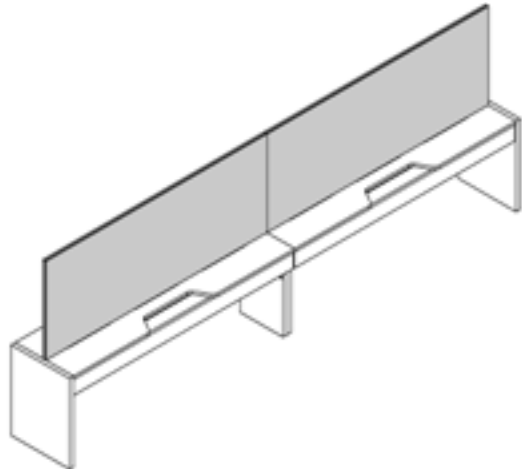
- 1" thick.
- Max height: 24".
- Lengths: 18" - 86" in 2" increments.
- Mounted with concealed metal supports.



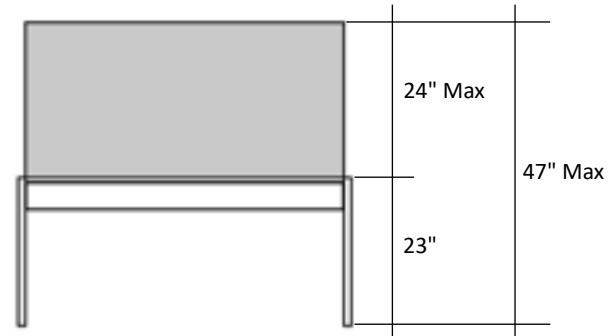
**Panel Mounted Tackboard**

- 1/2" thick.
- Max height: 22".
- Lengths: 18" - 86" in 2" increments.
- Mounted with metal Z-Clips.
- Cannot be used independently - must be mounted to a surface.

**Add-On Privacy Options for Platform Troughs**

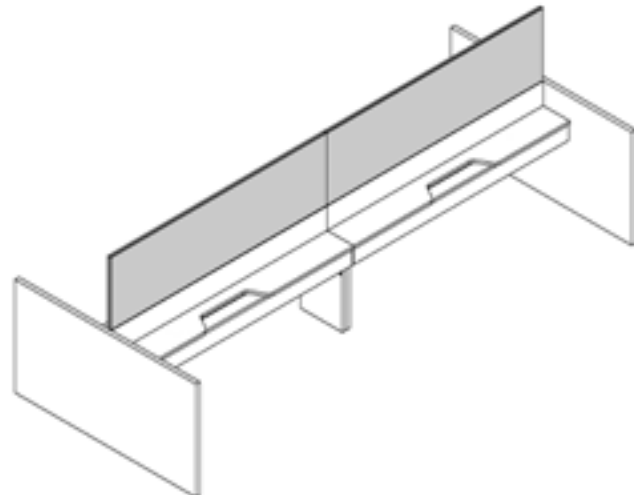


Privacy panels mount directly to the top surface of the Platform Trough.

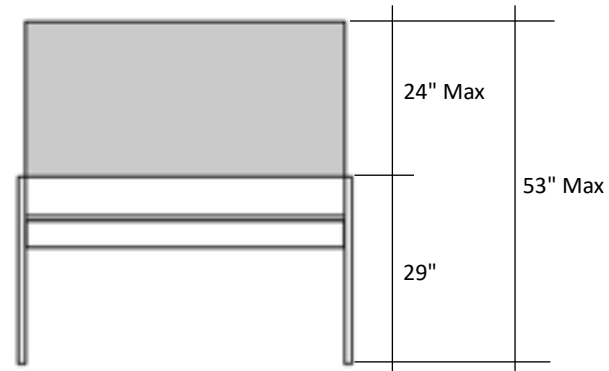


Maximum Height Possible

**Add-On Privacy Options for Raised Panel Troughs**

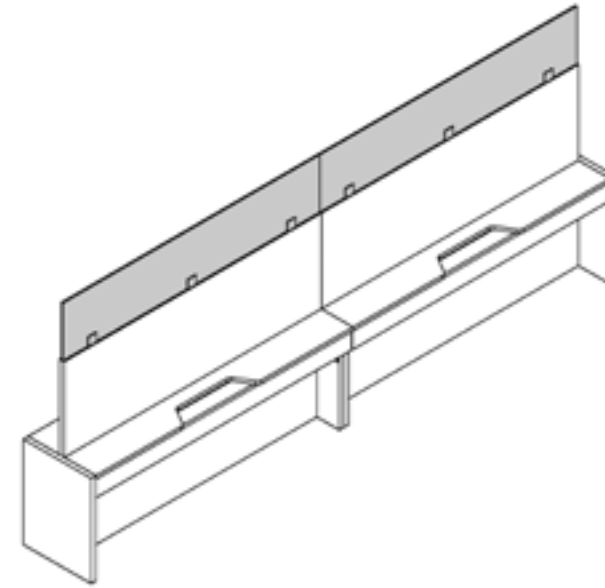


Privacy panels mount to the top edge of the center panel of the Raised Panel Trough.

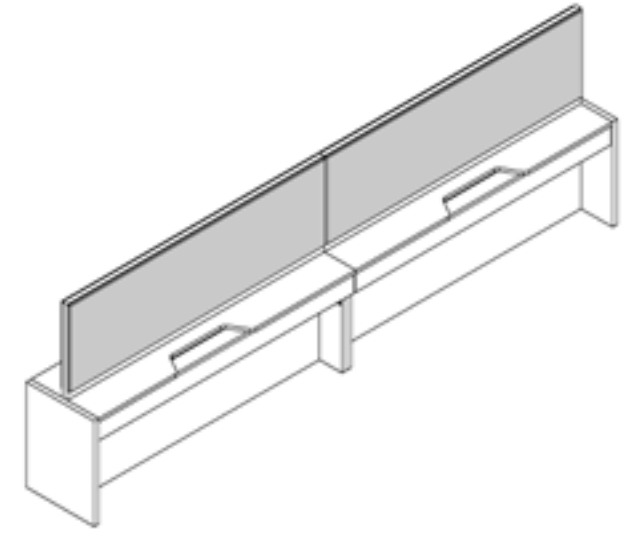


Maximum Height Possible

**Add-On Privacy Options for Partition Troughs**

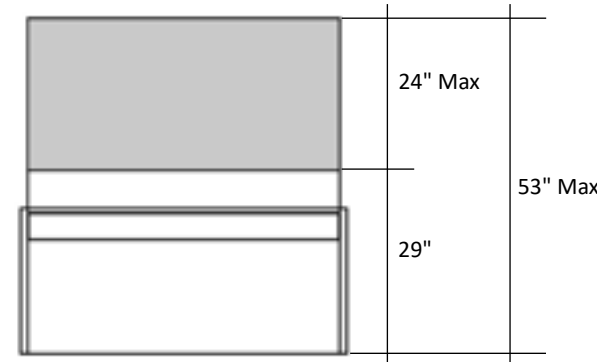


Wall Panel Mounted Privacy Panels

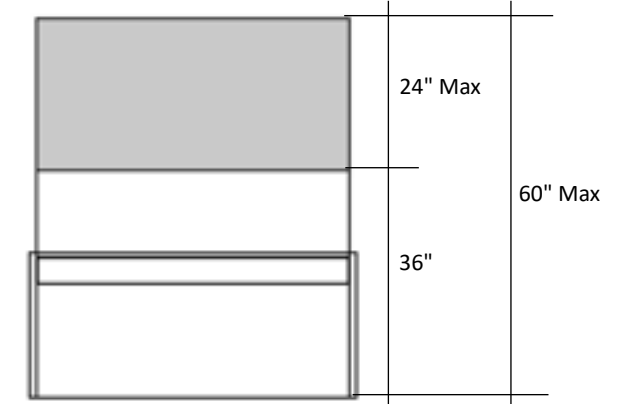


Panel Mounted Tackboards

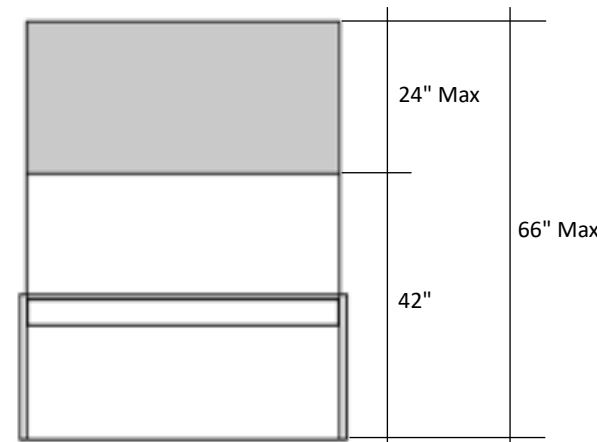
- Privacy panels mount to the top edge of the center panel of the Partition Trough to create height and a greater sense of enclosure.
- Panel mounted tackboards, acoustic tackboards and whiteboards can be mounted to the face of the center wall panels.



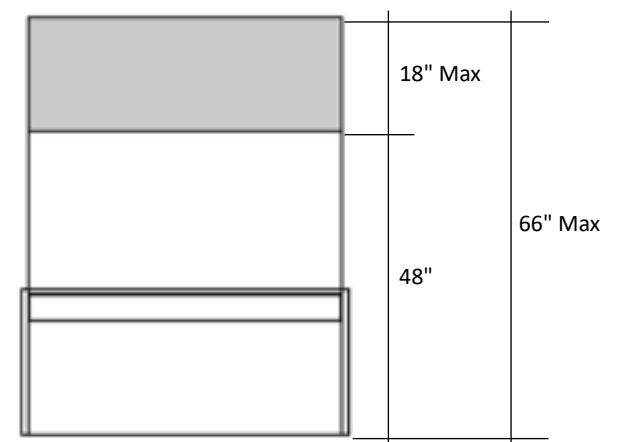
29" High Center Panel



36" High Center Panel



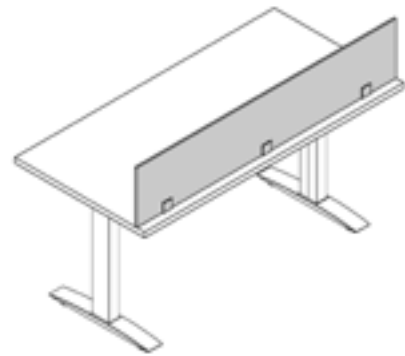
42" High Center Panel



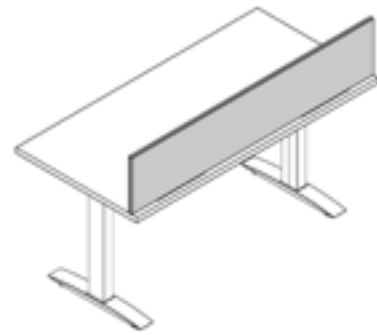
48" High Center Panel

**Worksurface Mounted Privacy Options**

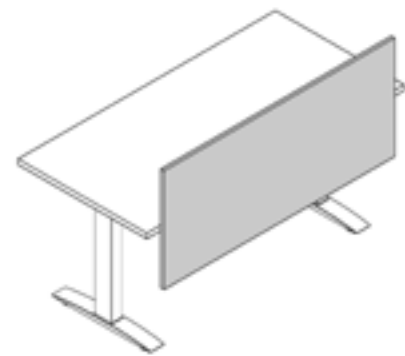
Worksurface mounted privacy panels provide the user with privacy that moves with them.



**Laminate, Acrylic or Glass Privacy Panels**



**Double Sided Tackboard Privacy Panels**



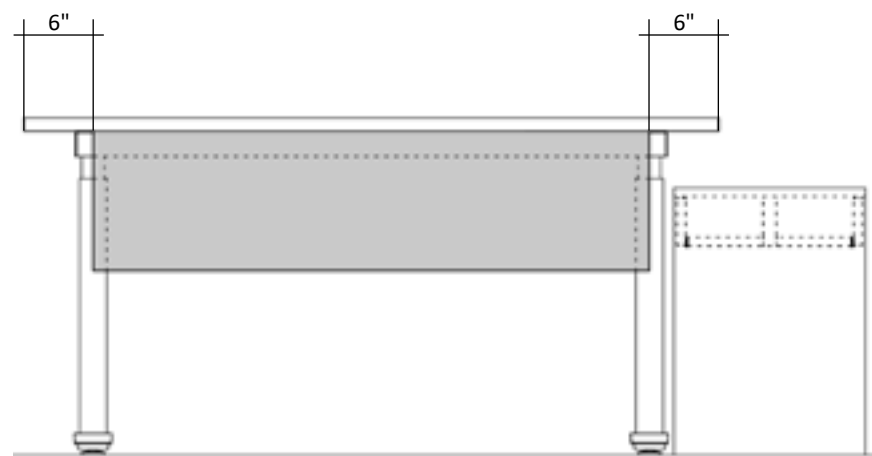
**Laminate combination privacy/modesty Panels\***  
(Acrylic version not available)



**Modesty Panels\***

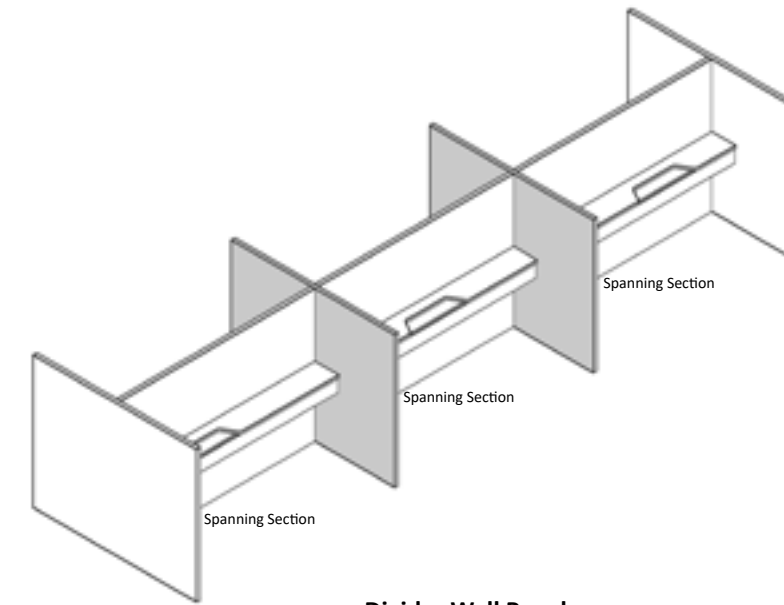
\* Only worksurfaces positioned perpendicular to the trough unit can be specified with combination privacy/modesty panels or modesty panels.

**Clearances with Hover Tables and Modesty Panels**



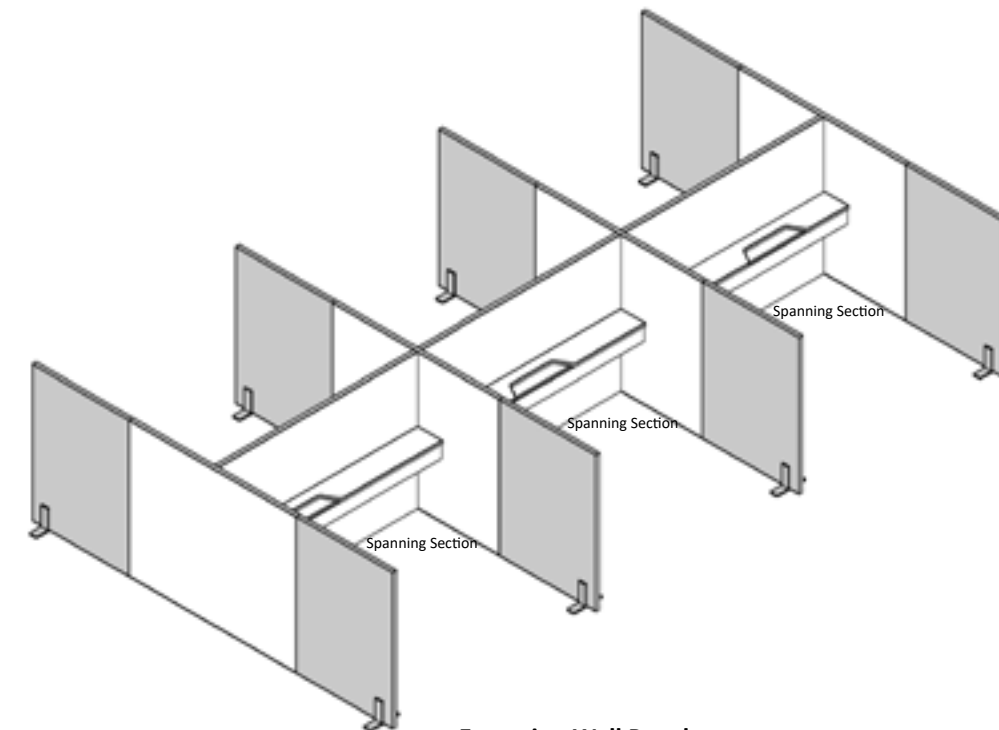
- When a laminate combination panel or modesty panel is specified, it is recommended that the panel be inset 6" from the edge of the work surface to avoid collision with the trough unit.

**Space Division Options for Raised Panel and Partition Troughs**



**Divider Wall Panels**

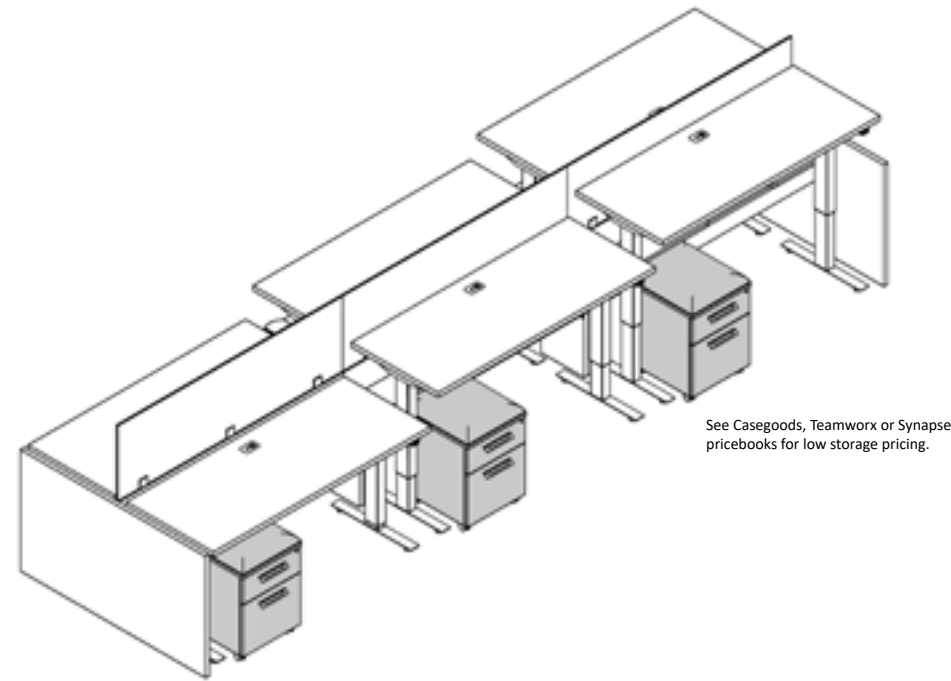
- Separate spanning trough sections to provide space division between individual users.
- Divider Panels increase the overall length of the setup increases by 1-1/8" for each divider panel specified.
- Divider Panels come standard with 2-1/2" grommet cutouts to allow electrical to route from one trough section to the next.
- Adjustable levelers on divider panels allow for 1-1/2" adjustment.



**Extension Wall Panels**

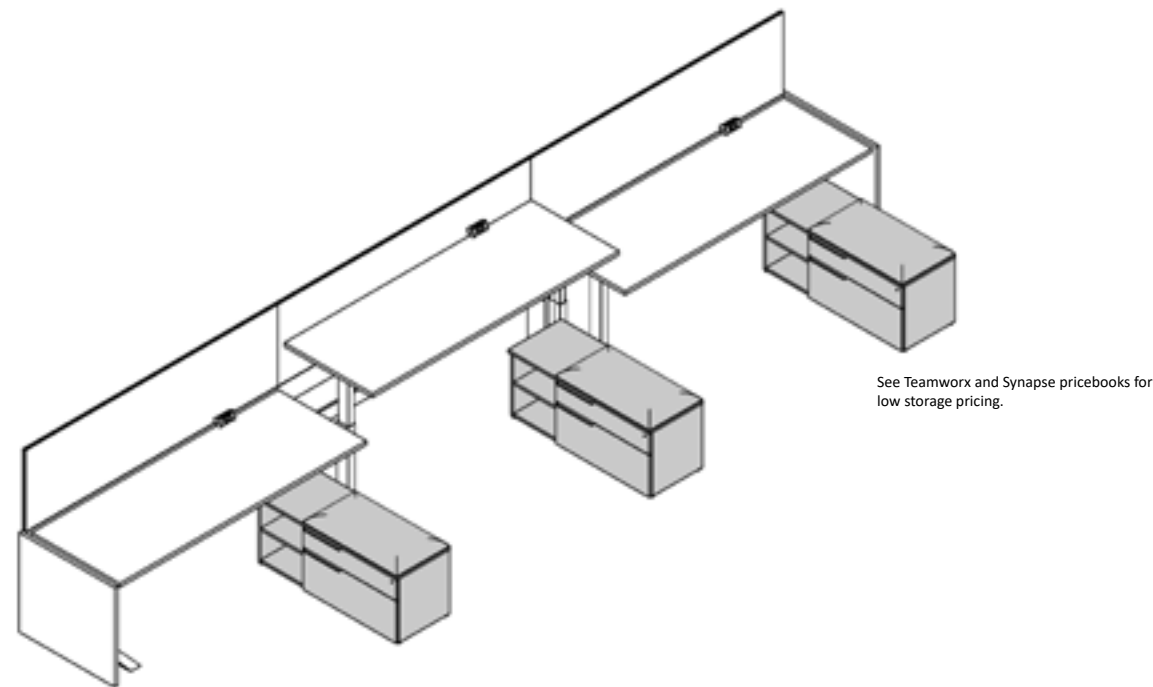
- Extension Panels come standard with Panel T-Foot for stability.
- Must specify Connecting End Panels and Divider Panels with Extension Wall Panels.
- Panels are not handed. The Panel T-Foot ships loose to be permanently secured at time of install.
- Panels are available in lengths 24"-60" in 6" increments. Panels 24"-36" include one T-foot; panels over 36" include two T-feet.
- The Panel T-Foot is 5" high so it will not interfere with Teamworx storage with 5" high legs
- Panels must attach to an end panel or divider panel. Cannot be used as a stand-alone wall.
- Adjustable levelers on extension panels allow for 1-1/2" adjustment.

Hover Storage Options



Mobile Pedestals

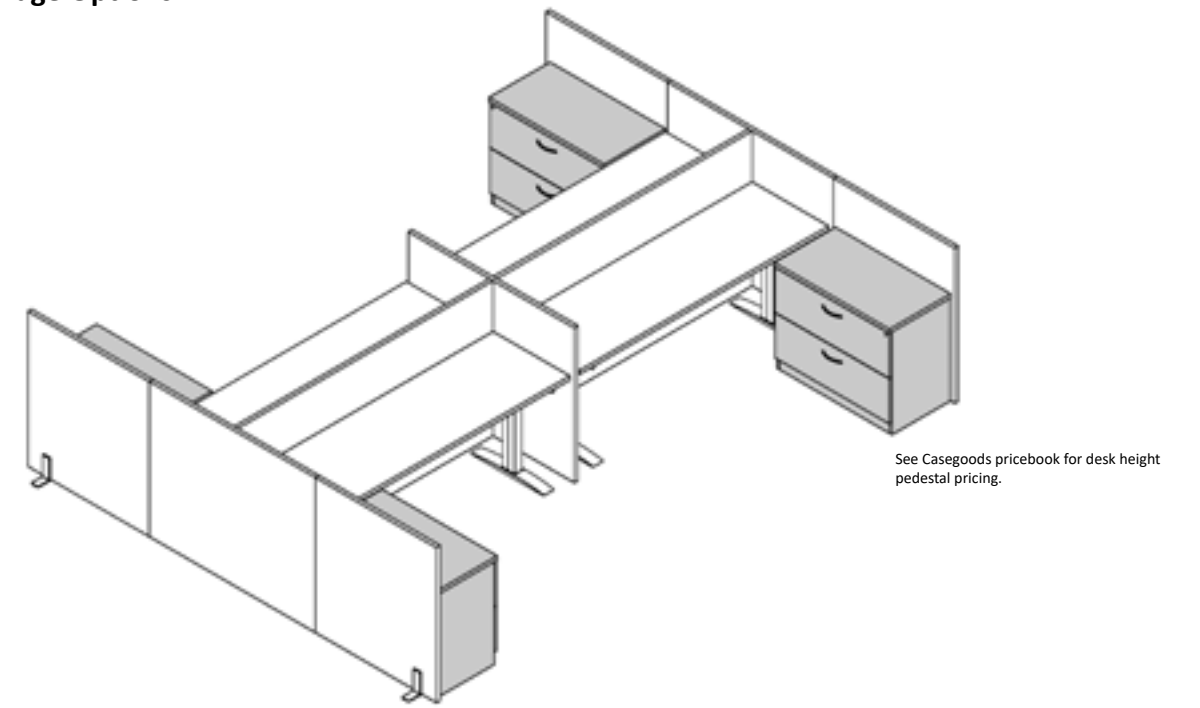
Mobile Box/File pedestals can be used with height adjustable tables to provide individual space to lock up, file and store personal items.



Low Storage

Teamworx and Synapse low storage credenzas can be used perpendicular to the trough units and placed below the height adjustable worksurface to provide space division, storage and casual seating if specified with cushion.

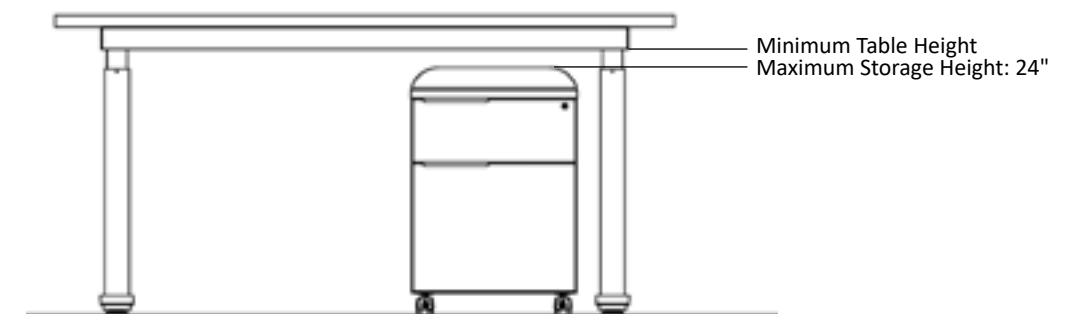
Hover Storage Options



Desk Height Pedestals

Desk height pedestals and credenzas can be placed beside Hover height adjustable tables for addition worksurface space and personal storage. A minimum clearance of 1" should be maintained between worksurface edges and storage units to minimize possible pinch point hazards. Only pedestals with a finished back and top should be specified if the units are not going to be placed in front of an Extension Wall Panel.

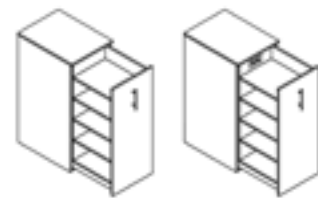
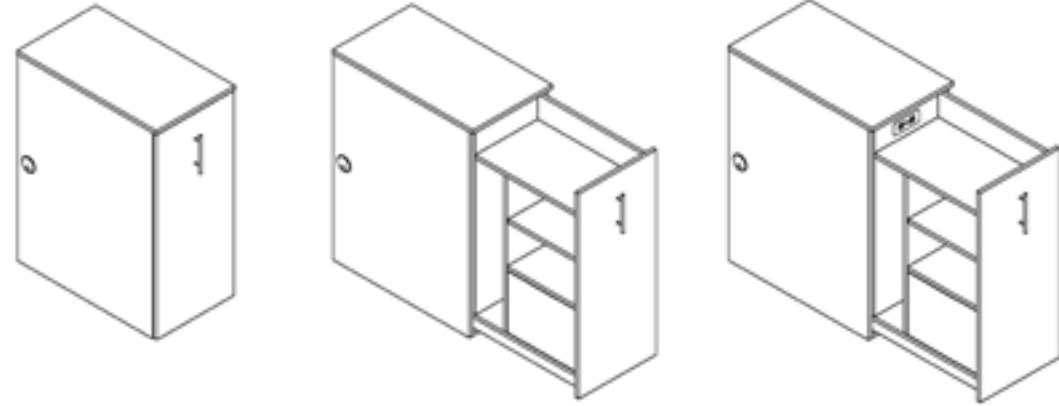
Clearances with Hover Tables and Storage



When storage is to be placed under height adjustable tables, storage heights should not be taller than the base minimum height to make sure the storage will not interfere with the height adjustable base operation.

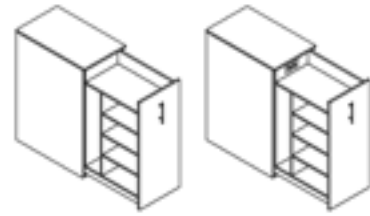
**Hover Personal Storage Tower**

Personal Storage Tower units can be used to create space division between each user while providing personal storage. Personal storage tower is available in left and right models. Right models are shown.



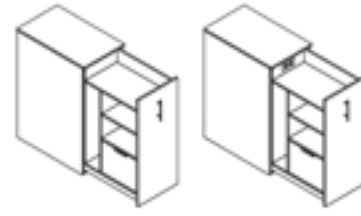
**26" Shelf Storage Model**

- 26" deep x 18" wide x 42" high.
- Available with and without power.
- Includes one fixed shelf and two adjustable shelves.
- Must specify grommet(s).



**32" Shelf Storage Model**

- 32" deep x 18" wide x 42" high.
- Available with and without power.
- Includes wardrobe with coat hook, one fixed shelf and two adjustable shelves.
- Must specify grommet(s).



**32" File Storage Model**

- 32" deep x 18" wide x 42" high.
- Available with and without power.
- Includes wardrobe with coat hook, one file drawer, one fixed shelf and one adjustable shelf.
- Must specify grommet(s).

**Grommet for Personal Storage Tower**

If tower units are placed between trough units, grommets are required to route wiring through the back of the tower cabinet. Grommet placement aligns with trough openings.



**HV-GROM-LEFT**

One grommet located on left side of tower.



**HV-GROM-BOTH**

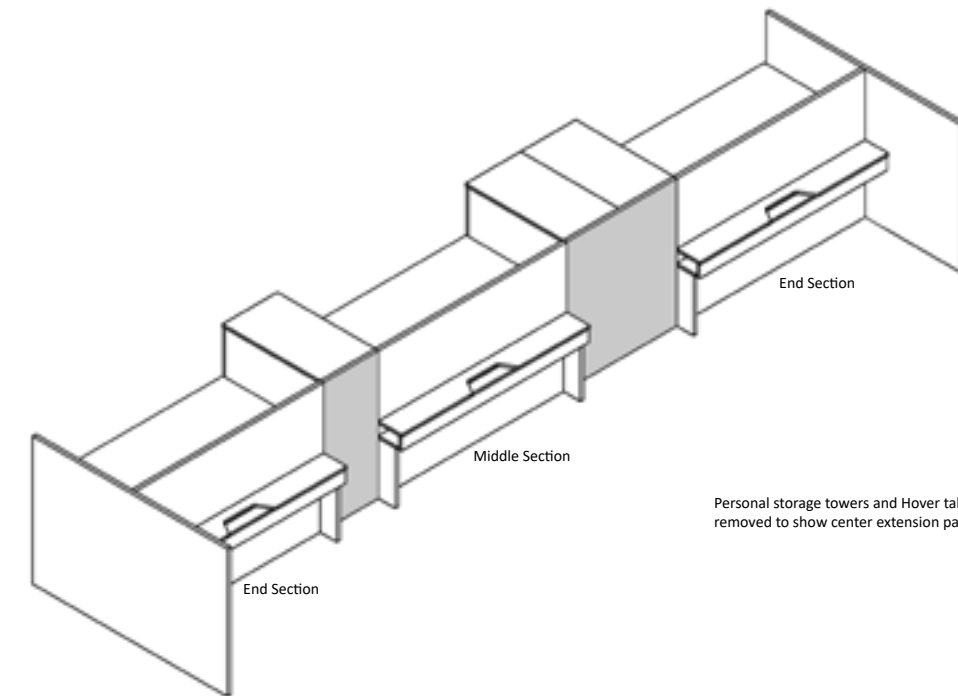
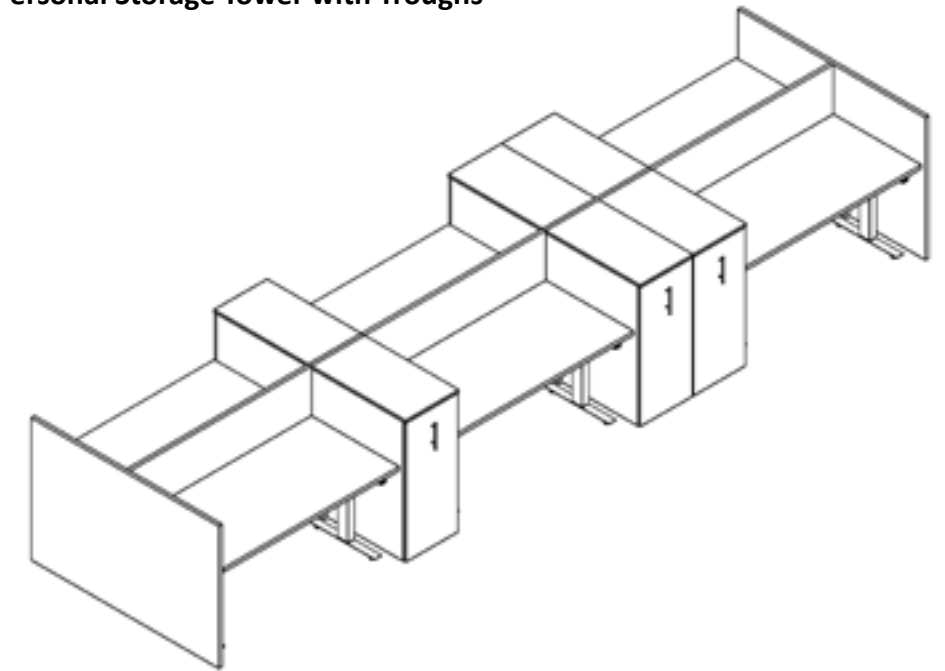
One grommet located on both left and right side of tower.



**HV-GROM-RGHT**

One grommet located on right side of tower.

**Using Hover Personal Storage Tower with Troughs**



Personal storage towers and Hover tables removed to show center extension panels.

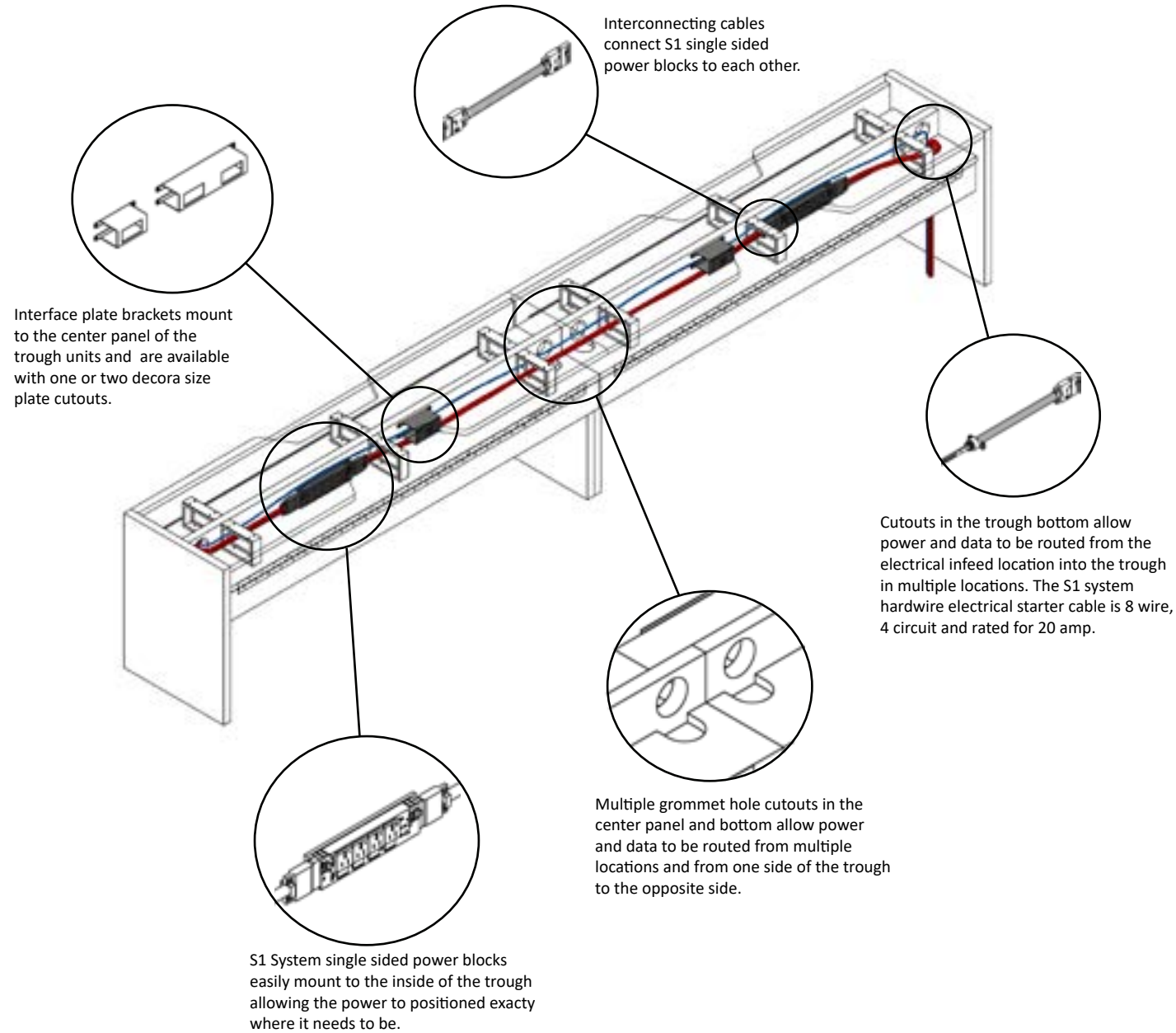
**Center Extension Wall Panels**

- Center extension panels attach to trough center panels to connect trough sections together with a storage tower between troughs.
- Panels are 1-1/8" thick material and include mechanical biscuit fasteners on both ends.
- Panels are available in lengths 18"-48" in 6" increments to allow one or two storage units to be placed in front of center extension panel.
- Panels must attach to a trough center panel and storage unit. Cannot be used as a stand-alone wall.
- Grain runs horizontal.
- Grommets for routing wiring through the back section of storage towers must be specified.



**Hover Electrical**

Hover Troughs allow for the horizontal routing of power, voice, data and IT/AV wiring from infeed source to each individual work station.



**Hover Worksurface Grommet Location**

Rectangle worksurface grommet location is limited to the center (CC) location due to the worksurface supports attached to each lifting column on the height adjustable bases.



**Hover Wire Management to Worksurfaces**

Vertical cable managers flex to allow wiring to be concealed and organized while moving with the worksurface as it raises and lowers to prevent binding.

**Cable Spine for Freestanding Tables**

Used for height adjustable tables when not used with Hover Troughs. Conceals and carries wires to weighted base at floor.



**Cable Carrier for Trough Tables**

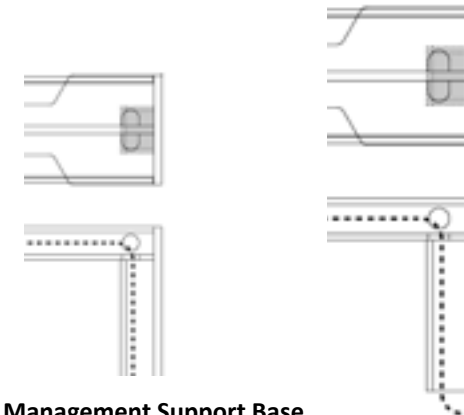
Used for height adjustable tables when used with Hover Troughs. Conceals and carries wires from trough to the underside of the worksurface. Cables simply push into carrier for quick and easy set up.



**Hover Electrical Infeed Options**

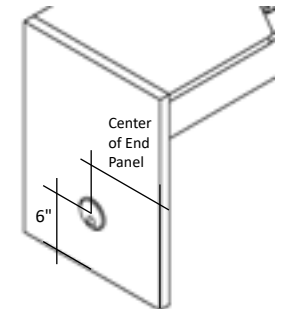
**U-Shaped Wire Management Channel**

Used to conceal power and data cables routing from infeed locations into trough. Attaches to end panel with magnetic catches and does not provide support. U-Shaped Wire Management Channel is 7" w x 5" d x 18" h.



**End Panel Infeed Grommet- "EP"**

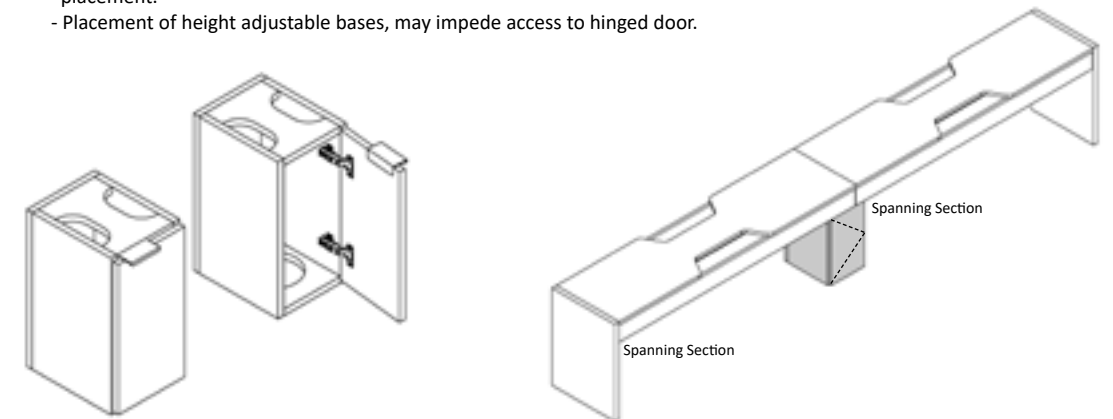
Used when infeed location is not located underneath the trough. Allows cables to route from outside the trough structure through the end panel. Grommet is 2-1/2" diameter. If special placement is required, please provide drawing of location.



**Wire Management Support Base**

Used on Platform and Raised Panel trough units. The Wire Management Support Base replaces the intermediate leg supports on the trough units. Intended to be placed on top of floor core infeeds. Hinged door allows easy access for installation and future modifications. Includes 6" diameter cutout in bottom and dual cutouts in top to route wires into trough.

- Note:
- Wire management support base is 9" w x 12" d x 18" h. Please check height adjustable base sizes to make sure they do not interfere with base placement.
  - Placement of height adjustable bases, may impede access to hinged door.



**S1 System Daisy-Chain 8 Wire, 4 Circuit**

See Page 36 of the Electrical Pricebook for pricing and additional options.

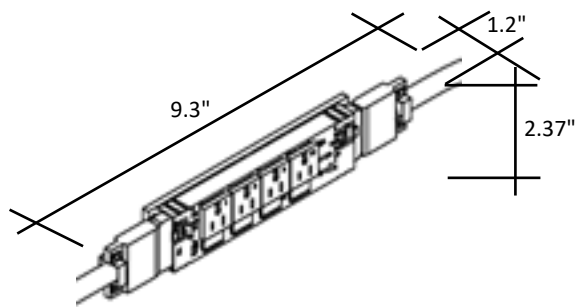


**Specifications**

- Single sided power blocks
- Simplex outlets are interchangeable permitting required circuit combination
- Interconnecting cables for daisy-chaining power blocks together
- Non-sequential system eliminates numerical sequence of units
- Hardwire or plug-in starter cables
- AC-ELS1-05 units cannot be used inside trough units

**S1 System Single Sided Power Block**

AC-ELS1-04



**Specifications**

- (4) power outlets total
- Outlets are removable and interchangeable
- Screw holes for easy installation
- Available as:
  - Outlets with Circuits 1,2,3 & 4
  - Outlets all Circuit 1

**ASHRAE 90.1/Title 24 Energy Efficiency Standards**

- 50% of hardwired receptacles are required to be controlled to automatically shut off, conserving energy when not in use.
- Controlled receptacles must be marked with the designated NEC standby mark.

**ASHRAE 90.1/Title 24 S1 System Power Block**

AC-ELS1-04-T24C

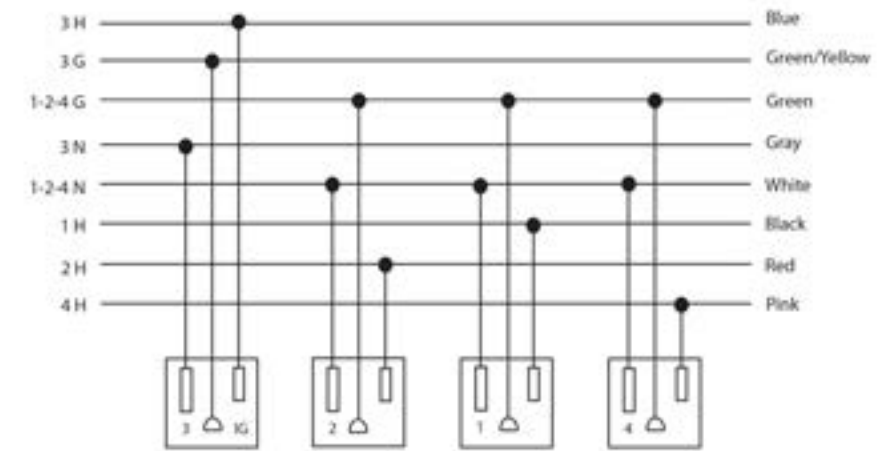
**Specifications**

- Outlets on Circuits 2 & 4 are controlled
- Outlets on Circuit 1 & 3 are not controlled
- "IG" circuit 3 utility is an isolated circuit and shares neutral and ground





Due to the height and depth restrictions of the trough interior, the S1 system Data Power Pak (AC-ELS1-05) unit cannot be used with Hover trough units.

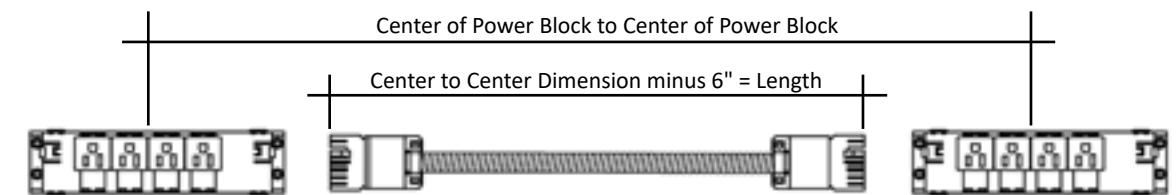
**S1 System 8 Wire, 4 Circuit Wiring Schematic**



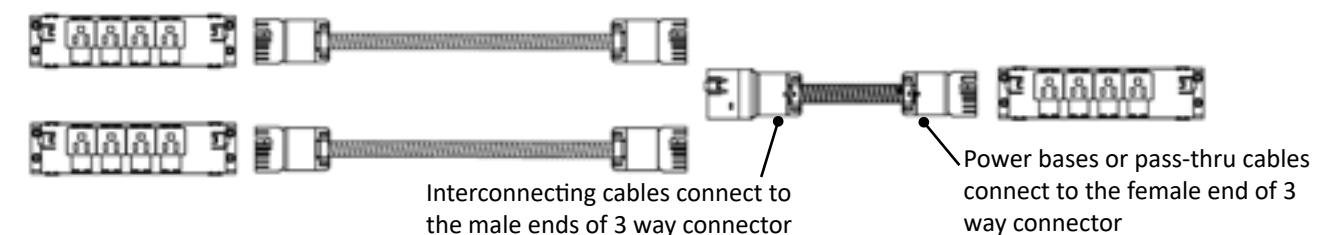
**Number of Units per Starter Cable**

Starter Cable Type	Single Sided Power Block
 Single Circuit Plug	4 Units
 Four Circuit Hardwire	16 Units

**Calculating Interconnecting Cable Length**

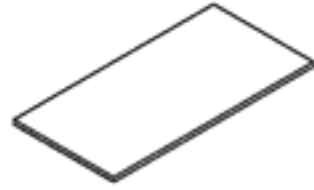


**Using S1 System 3 Way Connectors**



**Rectangular Worksurface**

TFL and HPL



			TFL		HPL		
			1-1/8" Thick Standard TFL 2mm PVC	1-1/8" Thick Premium TFL 2mm PVC	1-1/8" Thick Standard HPL 2mm PVC	1-1/8" Thick MDF Core 2mm PVC Knife	1" Thick Plywood Core Exposed Plywood
Model Number	Depth	Length	T1-A1	T2-A1	H1-A1	H1-K1	H1-P1
<b>24" Deep</b>							
HV-WS01-2448-??-??	24	48	\$364	\$400	\$614	\$713	\$1,115
HV-WS01-2454-??-??	24	54	\$365	\$402	\$616	\$718	\$1,128
HV-WS01-2460-??-??	24	60	\$368	\$405	\$619	\$725	\$1,141
HV-WS01-2466-??-??	24	66	\$370	\$408	\$622	\$731	\$1,153
HV-WS01-2472-??-??	24	72	\$373	\$410	\$623	\$737	\$1,166
HV-WS01-2478-??-??	24	78	\$458	\$504	\$788	\$925	\$1,469
HV-WS01-2484-??-??	24	84	\$461	\$507	\$791	\$931	\$1,482
<b>30" Deep</b>							
HV-WS01-3048-??-??	30	48	\$493	\$542	\$860	\$992	\$1,564
HV-WS01-3054-??-??	30	54	\$495	\$545	\$861	\$999	\$1,577
HV-WS01-3060-??-??	30	60	\$497	\$546	\$864	\$1,005	\$1,589
HV-WS01-3066-??-??	30	66	\$498	\$548	\$867	\$1,011	\$1,602
HV-WS01-3072-??-??	30	72	\$501	\$551	\$869	\$1,016	\$1,614
HV-WS01-3078-??-??	30	78	\$631	\$694	\$1,115	\$1,296	\$2,062
HV-WS01-3084-??-??	30	84	\$632	\$695	\$1,118	\$1,303	\$2,074
<b>36" Deep</b>							
HV-WS01-3648-??-??	36	48	\$495	\$545	\$861	\$999	\$1,577
HV-WS01-3654-??-??	36	54	\$497	\$546	\$864	\$1,005	\$1,589
HV-WS01-3660-??-??	36	60	\$498	\$548	\$867	\$1,011	\$1,602
HV-WS01-3666-??-??	36	66	\$501	\$551	\$869	\$1,016	\$1,614
HV-WS01-3672-??-??	36	72	\$503	\$554	\$872	\$1,022	\$1,627
HV-WS01-3678-??-??	36	78	\$632	\$695	\$1,118	\$1,303	\$2,074
HV-WS01-3684-??-??	36	84	\$635	\$698	\$1,121	\$1,308	\$2,087

- TFL worksurfaces are only available with DeskMakers standard 2MM PVC edgebanding.
- HPL worksurfaces with 2mm PVC edges are only available with DeskMakers standard 2MM PVC edgebanding.
- For rounded corners use OP-EDGE-RND for an additional \$178 per top.
- Please see the Cleaning and Care Guide for maintenance information.

**120 Degree Worksurface**

TFL and HPL



			TFL		HPL		
			1-1/8" Thick Standard TFL 2mm PVC	1-1/8" Thick Premium TFL 2mm PVC	1-1/8" Thick Standard HPL 2mm PVC	1-1/8" Thick MDF Core 2mm PVC Knife	1" Thick Plywood Core Exposed Plywood
Model Number	Depth	Length	T1-A1	T2-A1	H1-A1	H1-K1	H1-P1
<b>24" Deep</b>							
HV-WS45-4242-??-??	42	42	\$841	\$925	\$1,327	\$1,805	\$2,209
HV-WS45-4848-??-??	48	48	\$1,081	\$1,189	\$1,709	\$1,836	\$2,258
HV-WS45-5454-??-??	54	54	\$1,297	\$1,427	\$2,049	\$1,863	\$2,307
<b>30" Deep</b>							
HV-WS46-4242-??-??	42	42	\$915	\$1,007	\$1,445	\$1,815	\$2,226
HV-WS46-4848-??-??	48	48	\$1,153	\$1,269	\$1,821	\$1,846	\$3,201
HV-WS46-5454-??-??	54	54	\$1,368	\$1,505	\$2,161	\$1,875	\$3,249

- TFL worksurfaces are only available with DeskMakers standard 2MM PVC edgebanding.
- HPL worksurfaces with 2mm PVC edges are only available with DeskMakers standard 2MM PVC edgebanding.
- Please see the Cleaning and Care Guide for maintenance information.

90 Degree Worksurface

TFL and HPL



TFL		HPL		
1-1/8" Thick Standard TFL	1-1/8" Thick Premium TFL	1-1/8" Thick Standard HPL	1-1/8" Thick MDF Core	1" Thick Plywood Core
2mm PVC	2mm PVC	2mm PVC	2mm PVC Knife	Exposed Plywood

Model Number	Depth	Length	T1-A1	T2-A1	H1-A1	H1-K1	H1-P1	
<b>24" Deep Return and 24" Deep Workspace</b>								
<b>Left Model</b>	<b>Right Model</b>							
HV-WS07-4266-L-??-??	HV-WS07-4266-R-??-??	42	66	\$907	\$998	\$1,433	\$1,791	\$2,183
HV-WS07-4272-L-??-??	HV-WS07-4272-R-??-??	42	72	\$949	\$1,044	\$1,500	\$1,802	\$2,205
HV-WS07-4278-L-??-??	HV-WS07-4278-R-??-??	42	78	\$1,095	\$1,204	\$1,727	\$1,815	\$2,226
HV-WS07-4866-L-??-??	HV-WS07-4866-R-??-??	48	66	\$1,036	\$1,139	\$1,637	\$1,802	\$2,205
HV-WS07-4872-L-??-??	HV-WS07-4872-R-??-??	48	72	\$1,081	\$1,189	\$1,709	\$1,815	\$2,226
HV-WS07-4878-L-??-??	HV-WS07-4878-R-??-??	48	78	\$1,226	\$1,349	\$1,938	\$1,828	\$2,248
HV-WS07-5466-L-??-??	HV-WS07-5466-R-??-??	54	66	\$1,211	\$1,332	\$1,912	\$1,815	\$3,151
HV-WS07-5472-L-??-??	HV-WS07-5472-R-??-??	54	72	\$1,255	\$1,380	\$1,983	\$1,828	\$3,174
HV-WS07-5478-L-??-??	HV-WS07-5478-R-??-??	54	78	\$1,399	\$1,538	\$2,209	\$1,841	\$3,194
HV-WS07-6066-L-??-??	HV-WS07-6066-R-??-??	60	66	\$1,319	\$1,451	\$2,082	\$1,828	\$3,174
HV-WS07-6072-L-??-??	HV-WS07-6072-R-??-??	60	72	\$1,363	\$1,499	\$2,153	\$1,841	\$3,194
HV-WS07-6078-L-??-??	HV-WS07-6078-R-??-??	60	78	\$1,507	\$1,658	\$2,379	\$1,854	\$3,217

24" Deep Return and 30" Deep Workspace

Left Model	Right Model	Depth	Length	T1-A1	T2-A1	H1-A1	H1-K1	H1-P1
HV-WS08-4266-L-??-??	HV-WS08-4266-R-??-??	42	66	\$993	\$1,092	\$1,567	\$1,879	\$2,274
HV-WS08-4272-L-??-??	HV-WS08-4272-R-??-??	42	72	\$1,036	\$1,139	\$1,637	\$1,895	\$2,296
HV-WS08-4278-L-??-??	HV-WS08-4278-R-??-??	42	78	\$1,181	\$1,299	\$1,864	\$1,906	\$2,319
HV-WS08-4866-L-??-??	HV-WS08-4866-R-??-??	48	66	\$1,125	\$1,237	\$1,774	\$1,896	\$2,297
HV-WS08-4872-L-??-??	HV-WS08-4872-R-??-??	48	72	\$1,168	\$1,285	\$1,844	\$1,908	\$2,319
HV-WS08-4878-L-??-??	HV-WS08-4878-R-??-??	48	78	\$1,312	\$1,444	\$2,071	\$1,918	\$2,337
HV-WS08-5466-L-??-??	HV-WS08-5466-R-??-??	54	66	\$1,299	\$1,428	\$2,052	\$1,909	\$3,244
HV-WS08-5472-L-??-??	HV-WS08-5472-R-??-??	54	72	\$1,341	\$1,475	\$2,117	\$1,919	\$3,263
HV-WS08-5478-L-??-??	HV-WS08-5478-R-??-??	54	78	\$1,486	\$1,635	\$2,347	\$1,934	\$3,286
HV-WS08-6066-L-??-??	HV-WS08-6066-R-??-??	60	66	\$1,408	\$1,549	\$2,222	\$1,922	\$3,266
HV-WS08-6072-L-??-??	HV-WS08-6072-R-??-??	60	72	\$1,451	\$1,596	\$2,288	\$1,934	\$3,286
HV-WS08-6078-L-??-??	HV-WS08-6078-R-??-??	60	78	\$1,596	\$1,755	\$2,519	\$1,948	\$3,309

- TFL worksurfaces are only available with DeskMakers standard 2MM PVC edgebanding.  
 - HPL worksurfaces with 2mm PVC edges are only available with DeskMakers standard 2MM PVC edgebanding.  
 - Please see the Cleaning and Care Guide for maintenance information.

90 Degree Worksurface - Symmetrical

TFL and HPL

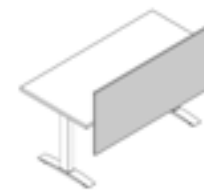


TFL		HPL		
1-1/8" Thick Standard TFL	1-1/8" Thick Premium TFL	1-1/8" Thick Standard HPL	1-1/8" Thick MDF Core	1" Thick Plywood Core
2mm PVC	2mm PVC	2mm PVC	2mm PVC Knife	Exposed Plywood

Model Number	Depth	Length	T1-A1	T2-A1	H1-A1	H1-K1	H1-P1
<b>24" Deep Return and 24" Deep Workspace</b>							
HV-WS40-4848-??-??	48	48	\$753	\$829	\$1,191	\$1,070	\$1,318
HV-WS40-5454-??-??	54	54	\$800	\$880	\$1,263	\$1,791	\$1,824
HV-WS40-6060-??-??	60	60	\$830	\$913	\$1,312	\$1,815	\$1,867
<b>30" Deep Return and 30" Deep Workspace</b>							
HV-WS41-4848-??-??	48	48	\$778	\$856	\$1,229	\$1,094	\$1,344
HV-WS41-5454-??-??	54	54	\$825	\$907	\$1,302	\$1,815	\$1,849
HV-WS41-6060-??-??	60	60	\$855	\$940	\$1,350	\$1,841	\$1,892

- TFL worksurfaces are only available with DeskMakers standard 2MM PVC edgebanding.  
 - HPL worksurfaces with 2mm PVC edges are only available with DeskMakers standard 2MM PVC edgebanding.  
 - Please see the Cleaning and Care Guide for maintenance information.

Combination Laminate Privacy/Modesty Panel

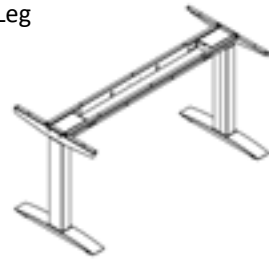


Model Number	Depth	Height	TFL (T)	HPL w/PVC (H)
AC-CMOD-2430-A	30	24	\$624	
AC-CMOD-2436-A	36	24	\$686	
AC-CMOD-2442-A	42	24	\$733	
AC-CMOD-2448-A	48	24	\$784	
AC-CMOD-2454-A	54	24	\$841	
AC-CMOD-2460-A	60	24	\$882	
AC-CMOD-2466-A	66	24	\$969	
AC-CMOD-2472-A	72	24	\$1,067	
AC-CMOD-2478-A	78	24	\$1,228	
AC-CMOD-2480-A	80	24	\$1,288	

- DeskMakers recommends ordering a modesty panel at least 12" less wide than the work surface on which it will be mounted.  
 - Ships unattached. Includes cantilever brackets for mounting.  
 - Grain runs horizontally for all sizes.

**Hover Lift Height Adjustable Bases**

Electric - 2 Leg



Model Number	T-Foot Length	Worksurface Width	Worksurface Length	Price
<b>For 24" and 30" Deep Worksurfaces</b>				
HV-AE23-2448-??	23	24/30	48	\$2,654
HV-AE23-2454-??	23	24/30	54	\$2,670
HV-AE23-2460-??	23	24/30	60	\$2,674
HV-AE23-2466-??	23	24/30	66	\$2,692
HV-AE23-2472-??	23	24/30	72	\$2,703
HV-AE23-2478-??	23	24/30	78	\$2,718
HV-AE23-2484-??	23	24/30	84	\$2,807
<b>For 30" and 36" Deep Worksurfaces</b>				
HV-AE29-3648-??	29	30/36	48	\$2,695
HV-AE29-3654-??	29	30/36	54	\$2,710
HV-AE29-3660-??	29	30/36	60	\$2,714
HV-AE29-3666-??	29	30/36	66	\$2,732
HV-AE29-3672-??	29	30/36	72	\$2,744
HV-AE29-3678-??	29	30/36	78	\$2,758
HV-AE29-3684-??	29	30/36	84	\$2,848

- Please specify base finish when ordering. Premium colors available with 10% increase, OP-COLOR. See page 6 for finish options.
- Tops specified separately.
- Bases ship unassembled.
- Includes adjustable glides. 2" high Casters available, add OP-CAST-OMT-A for \$141 (set of 4).
- Programmable digital control available, add AC-CNTL-DIGI for \$249.
- External safety sensor available, add AC-DRBK-OMT for \$332.

**Hover Lift Height Adjustable Bases**

Electric - 3 Leg - 120 Degree



Model Number	T-Foot Length	Worksurface Width	Worksurface Length	Price
<b>For 24" Deep Worksurfaces</b>				
HV-AE12-4242-23-??	23	42	42	\$3,762
HV-AE12-4848-23-??	23	48	48	\$3,822
HV-AE12-5454-23-??	23	54	54	\$3,955
<b>For 30" Deep Worksurfaces</b>				
HV-AE12-4242-29-??	29	42	42	\$3,802
HV-AE12-4848-29-??	29	48	48	\$3,863
HV-AE12-5454-29-??	29	54	54	\$3,996

- Please specify base finish when ordering. Premium colors available with 10% increase, OP-COLOR. See page 6 for finish options.
- Tops specified separately.
- Bases ship unassembled.
- Programmable digital control available, add AC-CNTL-DIGI for \$249.
- External safety sensor available, add AC-DRBK-OMT for \$332.

**Hover Lift Height Adjustable Bases**

Electric - 3 Leg - 90 Degree Symmetrical

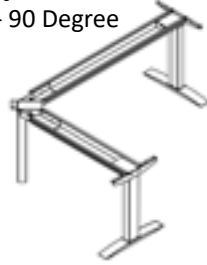


Model Number	T-Foot Length	Worksurface Width	Worksurface Length	Price
<b>For 24" Deep Worksurfaces</b>				
HV-AE90-4848-23-??	23	48	48	\$3,952
HV-AE90-5454-23-??	23	54	54	\$4,012
HV-AE90-6060-23-??	23	60	60	\$4,145
<b>For 30" Deep Worksurfaces</b>				
HV-AE90-4848-29-??	29	48	48	\$3,949
HV-AE90-5454-29-??	29	54	54	\$3,993
HV-AE90-6060-29-??	29	60	60	\$4,053

- Please specify base finish when ordering. Premium colors available with 10% increase, OP-COLOR. See page 6 for finish options.
- Tops specified separately.
- Bases ship unassembled.
- Programmable digital control available, add AC-CNTL-DIGI for \$249.
- External safety sensor available, add AC-DRBK-OMT for \$332.

**Hover Lift Adjustable Bases**

Electric - 3 Leg - 90 Degree



Model Number	T-Foot Length	Worksurface Width	Worksurface Length	Price
<b>For 24" Deep Return Connection and 24" Deep Workspace</b>				
HV-AE90-4266-23-??	23	42	66	\$3,994
HV-AE90-4272-23-??	23	42	72	\$3,998
HV-AE90-4278-23-??	23	42	78	\$4,015
HV-AE90-4866-23-??	23	48	66	\$4,015
HV-AE90-4872-23-??	23	48	72	\$4,020
HV-AE90-4878-23-??	23	48	78	\$4,037
HV-AE90-5466-23-??	23	54	66	\$4,046
HV-AE90-5472-23-??	23	54	72	\$4,050
HV-AE90-5478-23-??	23	54	78	\$4,067
HV-AE90-6066-23-??	23	60	66	\$4,112
HV-AE90-6072-23-??	23	60	72	\$4,116
HV-AE90-6078-23-??	23	60	78	\$4,134

**For 24" Deep Return Connection and 30" Deep Workspace**

HV-AE90-4266-29-??	23/29	42	66	\$4,019
HV-AE90-4272-29-??	23/29	42	72	\$4,034
HV-AE90-4278-29-??	23/29	42	78	\$4,038
HV-AE90-4866-29-??	23/29	48	66	\$4,019
HV-AE90-4872-29-??	23/29	48	72	\$4,034
HV-AE90-4878-29-??	23/29	48	78	\$4,038
HV-AE90-5466-29-??	23/29	54	66	\$4,040
HV-AE90-5472-29-??	23/29	54	72	\$4,056
HV-AE90-5478-29-??	23/29	54	78	\$4,060
HV-AE90-6066-29-??	23/29	60	66	\$4,071
HV-AE90-6072-29-??	23/29	60	72	\$4,086
HV-AE90-6078-29-??	23/29	60	78	\$4,090

- Please specify base finish when ordering. Premium colors available with 10% increase, OP-COLOR. See page 6 for finish options.
- Tops specified separately.
- Bases ship unassembled.
- Programmable digital control available, add AC-CNTL-DIGI for \$249.
- External safety sensor available, add AC-DRBK-OMT for \$332.

**Hover Reach Height Adjustable Bases - 2 Leg for Rectangular Worksurfaces**

Electric - 3 Stage

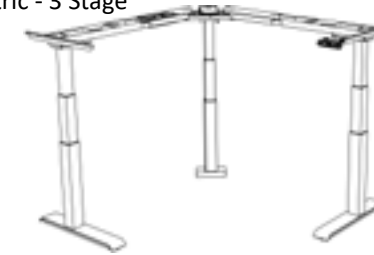


Model Number	T-Foot Length	Worksurface Width	Worksurface Length	Price
<b>For 24" and 30" Deep Worksurfaces</b>				
ML-3STG-2472-SV	23	24/30	48/72	\$1,106
<b>For 30" and 36" Deep Worksurfaces</b>				
ML-3STG-3072-SV	29	30/36	48/72	\$1,140

- Silver finish standard.
- Tops specified separately. Bases ship unassembled with tool-free quick-install components.
- Includes adjustable steel frame, adjustable glides and programmable digital control.
- Base can accommodate tops up to 84" with the addition of ML-2LEG-EXKT for \$362

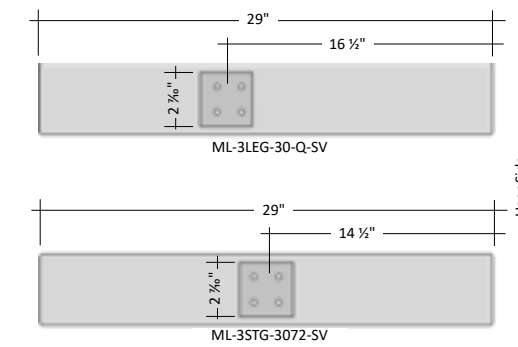
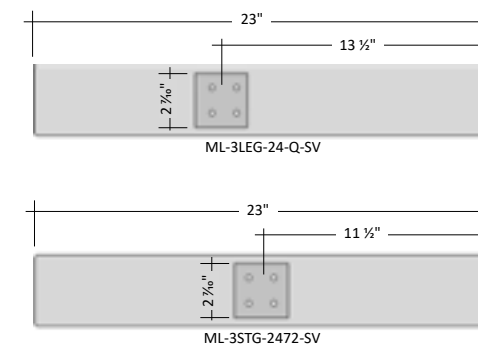
**Hover Reach Height Adjustable Bases - 3 Leg for 120 or 90 Degree Worksurfaces**

Electric - 3 Stage



Model Number	T-Foot Length	Worksurface Width	Worksurface Length	Price
<b>For 24" and 30" Deep Worksurfaces</b>				
ML-3LEG-24-Q-SV	23	24/30	84x84	\$1,938
<b>For 30" and 36" Deep Worksurfaces</b>				
ML-3LEG-30-Q-SV	29	30/36	84x84	\$1,970

- Silver finish standard.
- Tops specified separately. Bases ship unassembled with tool-free quick-install components.
- Includes adjustable steel frame, adjustable glides and programmable digital control.
- Universal bracket for both 120 degree and 90 degree applications.
- NOTE: The Reach 3-Leg has a C-Leg Style foot - the leg column is slightly off-center, farther from the user side. See below for diagram.



**Hover Boost Height Adjustable Bases - 2 Leg for Rectangular Worksurfaces**

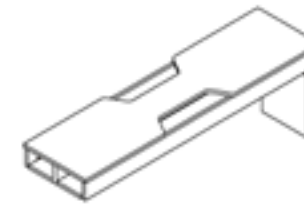
Electric - 2 Stage



Model Number	T-Foot Length	Worksurface Width	Worksurface Length	Price
<b>For 24" and 30" Deep Worksurfaces</b>				
ML-2STG-2472-??	23	24/30	42/72	\$950
<b>For 30" and 36" Deep Worksurfaces</b>				
ML-2STG-3072-??	29	30/36	42/72	\$980

- Silver finish standard. Black and White may require additional lead time.
- Tops specified separately. Bases ship unassembled with tool-free quick-install components.
- Includes adjustable steel frame, adjustable glides and programmable digital control.
- Base can accommodate tops up to 84" with the addition of ML-2LEG-EXKT for \$362

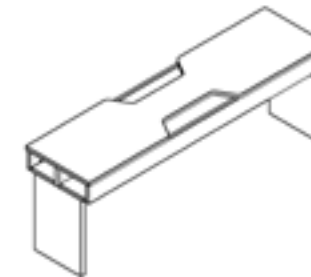
**Platform Trough End Section**



Model Number	Width	Length	Height	TFL (T)	HPL (H)
HV-PLFE-2350-?	16 1/2	50	23	\$952	\$1,503
HV-PLFE-2356-?	16 1/2	56	23	\$971	\$1,534
HV-PLFE-2362-?	16 1/2	62	23	\$1,010	\$1,595
HV-PLFE-2368-?	16 1/2	68	23	\$1,105	\$1,745
HV-PLFE-2374-?	16 1/2	74	23	\$1,142	\$1,804
HV-PLFE-2380-?	16 1/2	80	23	\$1,488	\$2,350
HV-PLFE-2386-?	16 1/2	86	23	\$1,526	\$2,409

- 80" and 86" Troughs include an additional leg support mounted in the middle of trough for additional structural support.
- Includes all required metal brackets and adjustable glides.
- Edges are DeskMakers standard 2MM PVC edgebanding for both TFL and HPL finishes.

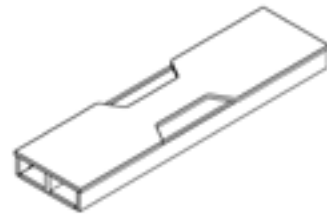
**Platform Trough Middle Section**



Model Number	Width	Length	Height	TFL (T)	HPL (H)
HV-PLFM-2350-?	16 1/2	50	23	\$1,178	\$1,860
HV-PLFM-2356-?	16 1/2	56	23	\$1,197	\$1,890
HV-PLFM-2362-?	16 1/2	62	23	\$1,236	\$1,951
HV-PLFM-2368-?	16 1/2	68	23	\$1,331	\$2,102
HV-PLFM-2374-?	16 1/2	74	23	\$1,368	\$2,163
HV-PLFM-2380-?	16 1/2	80	23	\$1,715	\$2,708
HV-PLFM-2386-?	16 1/2	86	23	\$1,753	\$2,769

- 80" and 86" Troughs include an additional leg support mounted in the middle of trough for additional structural support.
- Includes all required metal brackets and adjustable glides.
- Edges are DeskMakers standard 2MM PVC edgebanding for both TFL and HPL finishes.

**Platform Trough Spanning Section**

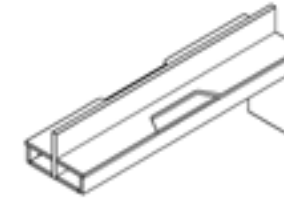


Model Number	Width	Length	Height	TFL (T)	HPL (H)
HV-PLFS-2350-?	16 1/2	50	23	\$725	\$1,145
HV-PLFS-2356-?	16 1/2	56	23	\$745	\$1,175
HV-PLFS-2362-?	16 1/2	62	23	\$782	\$1,236
HV-PLFS-2368-?	16 1/2	68	23	\$879	\$1,387
HV-PLFS-2374-?	16 1/2	74	23	\$916	\$1,446
HV-PLFS-2380-?	16 1/2	80	23	\$1,262	\$1,993
HV-PLFS-2386-?	16 1/2	86	23	\$1,301	\$2,052

- 80" and 86" Troughs include an additional leg support mounted in the middle of trough for additional structural support.
- Includes all required metal brackets and adjustable glides.
- Edges are DeskMakers standard 2MM PVC edgebanding for both TFL and HPL finishes.

**Raised Panel Trough End Section**

11" High Center Panel (6" high above trough top)

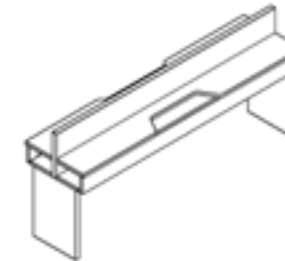


Model Number	Width	Length	Height	TFL (T)	HPL (H)
HV-RPLE-1150-?	16 1/2	50	29	\$1,071	\$1,691
HV-RPLE-1156-?	16 1/2	56	29	\$1,095	\$1,729
HV-RPLE-1162-?	16 1/2	62	29	\$1,137	\$1,795
HV-RPLE-1168-?	16 1/2	68	29	\$1,237	\$1,952
HV-RPLE-1174-?	16 1/2	74	29	\$1,278	\$2,017
HV-RPLE-1180-?	16 1/2	80	29	\$1,660	\$2,621
HV-RPLE-1186-?	16 1/2	86	29	\$1,703	\$2,686

- 80" and 86" Troughs include an additional leg support mounted in the middle of trough for additional structural support.
- Includes all required metal brackets and adjustable glides.
- Edges are DeskMakers standard 2MM PVC edgebanding for both TFL and HPL finishes.

**Raised Panel Trough Middle Section**

11" High Center Panel (6" high above trough top)



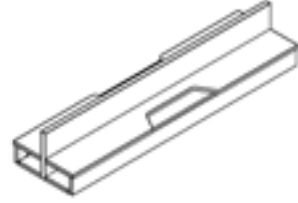
Model Number	Width	Length	Height	TFL (T)	HPL (H)
HV-RPLM-1150-?	16 1/2	50	29	\$1,299	\$2,050
HV-RPLM-1156-?	16 1/2	56	29	\$1,322	\$2,088
HV-RPLM-1162-?	16 1/2	62	29	\$1,363	\$2,153
HV-RPLM-1168-?	16 1/2	68	29	\$1,463	\$2,310
HV-RPLM-1174-?	16 1/2	74	29	\$1,504	\$2,375
HV-RPLM-1180-?	16 1/2	80	29	\$1,888	\$2,979
HV-RPLM-1186-?	16 1/2	86	29	\$1,927	\$3,044

- 80" and 86" Troughs include an additional leg support mounted in the middle of trough for additional structural support.
- Includes all required metal brackets and adjustable glides.
- Edges are DeskMakers standard 2MM PVC edgebanding for both TFL and HPL finishes.



**Raised Panel Trough Spanning Section**

11" High Center Panel (6" high above trough top)

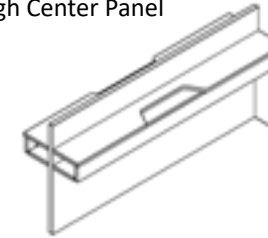


Model Number	Width	Length	Height	TFL (T)	HPL (H)
HV-RPLS-1150-?	16 1/2	50	29	\$845	\$1,334
HV-RPLS-1156-?	16 1/2	56	29	\$868	\$1,373
HV-RPLS-1162-?	16 1/2	62	29	\$911	\$1,436
HV-RPLS-1168-?	16 1/2	68	29	\$1,010	\$1,595
HV-RPLS-1174-?	16 1/2	74	29	\$1,049	\$1,658
HV-RPLS-1180-?	16 1/2	80	29	\$1,433	\$2,262
HV-RPLS-1186-?	16 1/2	86	29	\$1,474	\$2,329

- 80" and 86" Troughs include an additional leg support mounted in the middle of trough for additional structural support.
- Includes all required metal brackets and adjustable glides.
- Edges are DeskMakers standard 2MM PVC edgebanding for both TFL and HPL finishes.

**Partition Trough End Section**

29" High Center Panel

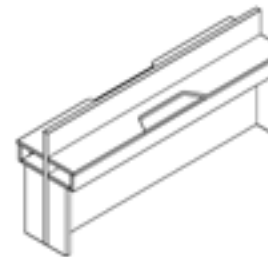


Model Number	Width	Length	Height	TFL (T)	HPL (H)
HV-PRTE-2950-?	16 1/2	50	29	\$1,207	\$1,905
HV-PRTE-2956-?	16 1/2	56	29	\$1,237	\$1,954
HV-PRTE-2962-?	16 1/2	62	29	\$1,286	\$2,030
HV-PRTE-2968-?	16 1/2	68	29	\$1,394	\$2,202
HV-PRTE-2974-?	16 1/2	74	29	\$1,445	\$2,278
HV-PRTE-2980-?	16 1/2	80	29	\$1,605	\$2,535
HV-PRTE-2986-?	16 1/2	86	29	\$1,655	\$2,614

- Includes all required metal brackets and adjustable glides.
- Edges are DeskMakers standard 2MM PVC edgebanding for both TFL and HPL finishes.

**Partition Trough Middle Section**

29" High Center Panel

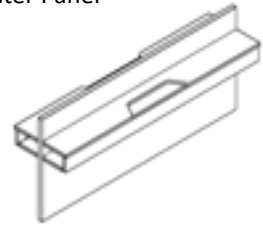


Model Number	Width	Length	Height	TFL (T)	HPL (H)
HV-PRTM-2950-?	16 1/2	50	29	\$1,431	\$2,261
HV-PRTM-2956-?	16 1/2	56	29	\$1,464	\$2,311
HV-PRTM-2962-?	16 1/2	62	29	\$1,512	\$2,389
HV-PRTM-2968-?	16 1/2	68	29	\$1,619	\$2,558
HV-PRTM-2974-?	16 1/2	74	29	\$1,670	\$2,636
HV-PRTM-2980-?	16 1/2	80	29	\$1,831	\$2,894
HV-PRTM-2986-?	16 1/2	86	29	\$1,881	\$2,970

- Includes all required metal brackets and adjustable glides.
- Edges are DeskMakers standard 2MM PVC edgebanding for both TFL and HPL finishes.

**Partition Trough Spanning Section**

29" High Center Panel

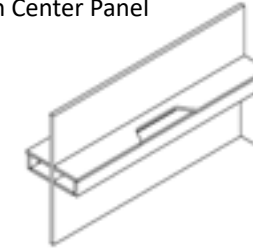


Model Number	Width	Length	Height	TFL (T)	HPL (H)
HV-PRTS-2950-?	16 1/2	50	29	\$981	\$1,546
HV-PRTS-2956-?	16 1/2	56	29	\$1,011	\$1,596
HV-PRTS-2962-?	16 1/2	62	29	\$1,060	\$1,673
HV-PRTS-2968-?	16 1/2	68	29	\$1,167	\$1,843
HV-PRTS-2974-?	16 1/2	74	29	\$1,216	\$1,919
HV-PRTS-2980-?	16 1/2	80	29	\$1,379	\$2,177
HV-PRTS-2986-?	16 1/2	86	29	\$1,429	\$2,257

- Includes all required metal brackets and adjustable glides.  
 - Edges are DeskMakers standard 2MM PVC edgebanding for both TFL and HPL finishes.

**Partition Trough End Section**

36" High Center Panel

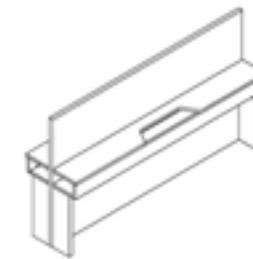


Model Number	Width	Length	Height	TFL (T)	HPL (H)
HV-PRTE-3650-?	16 1/2	50	36	\$1,267	\$1,999
HV-PRTE-3656-?	16 1/2	56	36	\$1,301	\$2,053
HV-PRTE-3662-?	16 1/2	62	36	\$1,353	\$2,134
HV-PRTE-3668-?	16 1/2	68	36	\$1,463	\$2,310
HV-PRTE-3674-?	16 1/2	74	36	\$1,515	\$2,391
HV-PRTE-3680-?	16 1/2	80	36	\$1,679	\$2,655
HV-PRTE-3686-?	16 1/2	86	36	\$1,733	\$2,737

- Includes all required metal brackets and adjustable glides.  
 - Edges are DeskMakers standard 2MM PVC edgebanding for both TFL and HPL finishes.

**Partition Trough Middle Section**

36" High Center Panel

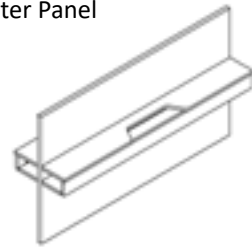


Model Number	Width	Length	Height	TFL (T)	HPL (H)
HV-PRTM-3650-?	16 1/2	50	36	\$1,493	\$2,356
HV-PRTM-3656-?	16 1/2	56	36	\$1,526	\$2,409
HV-PRTM-3662-?	16 1/2	62	36	\$1,578	\$2,492
HV-PRTM-3668-?	16 1/2	68	36	\$1,689	\$2,666
HV-PRTM-3674-?	16 1/2	74	36	\$1,742	\$2,748
HV-PRTM-3680-?	16 1/2	80	36	\$1,908	\$3,012
HV-PRTM-3686-?	16 1/2	86	36	\$1,959	\$3,094

- Includes all required metal brackets and adjustable glides.  
 - Edges are DeskMakers standard 2MM PVC edgebanding for both TFL and HPL finishes.

**Partition Trough Spanning Section**

36" High Center Panel

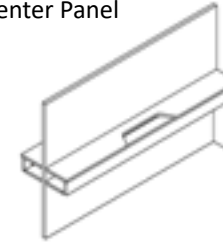


Model Number	Width	Length	Height	TFL (T)	HPL (H)
HV-PRTS-3650-?	16 1/2	50	36	\$1,038	\$1,641
HV-PRTS-3656-?	16 1/2	56	36	\$1,073	\$1,694
HV-PRTS-3662-?	16 1/2	62	36	\$1,126	\$1,776
HV-PRTS-3668-?	16 1/2	68	36	\$1,236	\$1,951
HV-PRTS-3674-?	16 1/2	74	36	\$1,288	\$2,035
HV-PRTS-3680-?	16 1/2	80	36	\$1,455	\$2,297
HV-PRTS-3686-?	16 1/2	86	36	\$1,505	\$2,376

- Includes all required metal brackets and adjustable glides.  
 - Edges are DeskMakers standard 2MM PVC edgebanding for both TFL and HPL finishes.

**Partition Trough End Section**

42" High Center Panel

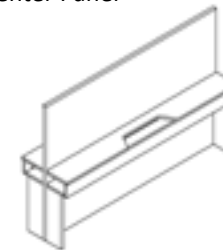


Model Number	Width	Length	Height	TFL (T)	HPL (H)
HV-PRTE-4250-?	16 1/2	50	42	\$1,322	\$2,088
HV-PRTE-4256-?	16 1/2	56	42	\$1,359	\$2,144
HV-PRTE-4262-?	16 1/2	62	42	\$1,414	\$2,232
HV-PRTE-4268-?	16 1/2	68	42	\$1,526	\$2,409
HV-PRTE-4274-?	16 1/2	74	42	\$1,579	\$2,496
HV-PRTE-4280-?	16 1/2	80	42	\$1,749	\$2,763
HV-PRTE-4286-?	16 1/2	86	42	\$1,804	\$2,848

- Includes all required metal brackets and adjustable glides.  
 - Edges are DeskMakers standard 2MM PVC edgebanding for both TFL and HPL finishes.

**Partition Trough Middle Section**

42" High Center Panel

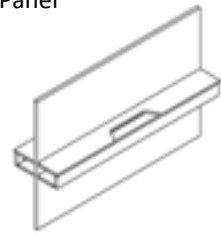


Model Number	Width	Length	Height	TFL (T)	HPL (H)
HV-PRTM-4250-?	16 1/2	50	42	\$1,548	\$2,444
HV-PRTM-4256-?	16 1/2	56	42	\$1,584	\$2,503
HV-PRTM-4262-?	16 1/2	62	42	\$1,641	\$2,588
HV-PRTM-4268-?	16 1/2	68	42	\$1,752	\$2,767
HV-PRTM-4274-?	16 1/2	74	42	\$1,808	\$2,854
HV-PRTM-4280-?	16 1/2	80	42	\$1,974	\$3,119
HV-PRTM-4286-?	16 1/2	86	42	\$2,031	\$3,207

- Includes all required metal brackets and adjustable glides.  
 - Edges are DeskMakers standard 2MM PVC edgebanding for both TFL and HPL finishes.

**Partition Trough Spanning Section**

42" High Center Panel

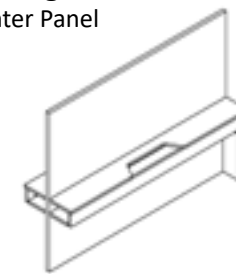


Model Number	Width	Length	Height	TFL (T)	HPL (H)
HV-PRTS-4250-?	16 1/2	50	42	\$1,095	\$1,729
HV-PRTS-4256-?	16 1/2	56	42	\$1,131	\$1,788
HV-PRTS-4262-?	16 1/2	62	42	\$1,186	\$1,873
HV-PRTS-4268-?	16 1/2	68	42	\$1,299	\$2,052
HV-PRTS-4274-?	16 1/2	74	42	\$1,355	\$2,138
HV-PRTS-4280-?	16 1/2	80	42	\$1,522	\$2,404
HV-PRTS-4286-?	16 1/2	86	42	\$1,577	\$2,490

- Includes all required metal brackets and adjustable glides.  
 - Edges are DeskMakers standard 2MM PVC edgebanding for both TFL and HPL finishes.

**Partition Trough End Section**

48" High Center Panel

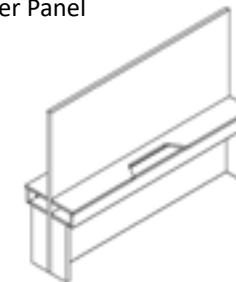


Model Number	Width	Length	Height	TFL (T)	HPL (H)
HV-PRTE-4850-?	16 1/2	50	48	\$1,378	\$2,174
HV-PRTE-4856-?	16 1/2	56	48	\$1,418	\$2,236
HV-PRTE-4862-?	16 1/2	62	48	\$1,474	\$2,327
HV-PRTE-4868-?	16 1/2	68	48	\$1,589	\$2,510
HV-PRTE-4874-?	16 1/2	74	48	\$1,647	\$2,598
HV-PRTE-4880-?	16 1/2	80	48	\$1,818	\$2,872
HV-PRTE-4886-?	16 1/2	86	48	\$1,875	\$2,962

- Includes all required metal brackets and adjustable glides.  
 - Edges are DeskMakers standard 2MM PVC edgebanding for both TFL and HPL finishes.

**Partition Trough Middle Section**

48" High Center Panel

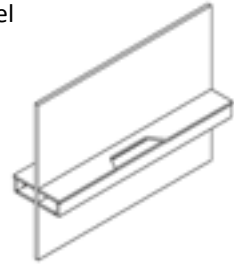


Model Number	Width	Length	Height	TFL (T)	HPL (H)
HV-PRTM-4850-?	16 1/2	50	48	\$1,604	\$2,533
HV-PRTM-4856-?	16 1/2	56	48	\$1,644	\$2,594
HV-PRTM-4862-?	16 1/2	62	48	\$1,701	\$2,686
HV-PRTM-4868-?	16 1/2	68	48	\$1,816	\$2,867
HV-PRTM-4874-?	16 1/2	74	48	\$1,874	\$2,957
HV-PRTM-4880-?	16 1/2	80	48	\$2,044	\$3,229
HV-PRTM-4886-?	16 1/2	86	48	\$2,101	\$3,316

- Includes all required metal brackets and adjustable glides.  
 - Edges are DeskMakers standard 2MM PVC edgebanding for both TFL and HPL finishes.

**Partition Trough Spanning Section**

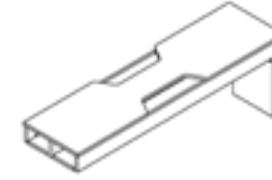
48" High Center Panel



Model Number	Width	Length	Height	TFL (T)	HPL (H)
HV-PRTS-4850-?	16 1/2	50	48	\$1,151	\$1,815
HV-PRTS-4856-?	16 1/2	56	48	\$1,189	\$1,877
HV-PRTS-4862-?	16 1/2	62	48	\$1,248	\$1,970
HV-PRTS-4868-?	16 1/2	68	48	\$1,363	\$2,151
HV-PRTS-4874-?	16 1/2	74	48	\$1,421	\$2,244
HV-PRTS-4880-?	16 1/2	80	48	\$1,592	\$2,512
HV-PRTS-4886-?	16 1/2	86	48	\$1,648	\$2,603

- Includes all required metal brackets and adjustable glides.  
 - Edges are DeskMakers standard 2MM PVC edgebanding for both TFL and HPL finishes.

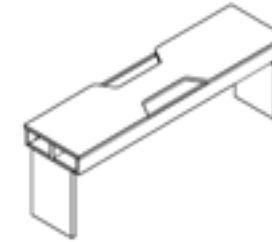
**Platform 120 Trough End Section**



Model Number	Width	Length	Height	TFL (T)	HPL (H)
<b>For 42" 120 Degree Worksurfaces</b>					
HV-L12E-2339-?	16 1/2	39 1/4	23	\$919	\$1,451
<b>For 48" 120 Degree Worksurfaces</b>					
HV-L12E-2345-?	16 1/2	45 1/4	23	\$937	\$1,482
<b>For 54" 120 Degree Worksurfaces</b>					
HV-L12E-2351-?	16 1/2	51 1/4	23	\$975	\$1,541

- Includes all required metal brackets and adjustable glides.  
 - Edges are DeskMakers standard 2MM PVC edgebanding for both TFL and HPL finishes.

**Platform 120 Trough Middle Section**



Model Number	Width	Length	Height	TFL (T)	HPL (H)
<b>For 42" 120 Degree Worksurfaces</b>					
HV-L12M-2339-?	16 1/2	39 1/4	23	\$1,145	\$1,808
<b>For 48" 120 Degree Worksurfaces</b>					
HV-L12M-2345-?	16 1/2	45 1/4	23	\$1,166	\$1,840
<b>For 54" 120 Degree Worksurfaces</b>					
HV-L12M-2351-?	16 1/2	51 1/4	23	\$1,204	\$1,900

- Includes all required metal brackets and adjustable glides.  
 - Edges are DeskMakers standard 2MM PVC edgebanding for both TFL and HPL finishes.

**Platform 120 Trough Triangle Connecting Top**

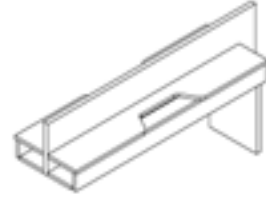


Model Number	Width	Length	TFL (T)	HPL (H)
HV-TRCT-1616-?	16 1/2	16 1/2	\$212	\$336

- Triangle Connecting Top is 3/4" thick material. Edges are DeskMakers standard 2MM PVC edgebanding for both TFL and HPL finishes.  
 - Includes L-Brackets to secure top to Platform Trough sections.

**Raised Panel 120 Trough End Section**

11" High Center Panel (6" high above trough top)

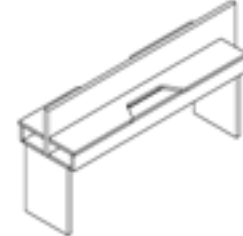


Model Number	Width	Trough Length	Center Panel Length	Height	TFL (T)	HPL (H)
<b>For 42" 120 Degree Worksurfaces</b>						
HV-R12E-1139-?	16 1/2	39 1/4	43 5/8	29	\$1,036	\$1,637
<b>For 48" 120 Degree Worksurfaces</b>						
HV-R12E-1145-?	16 1/2	45 1/4	49 5/8	29	\$1,060	\$1,673
<b>For 54" 120 Degree Worksurfaces</b>						
HV-R12E-1151-?	16 1/2	51 1/4	55 5/8	29	\$1,103	\$1,739

- Includes all required metal brackets and adjustable glides.  
 - Edges are DeskMakers standard 2MM PVC edgebanding for both TFL and HPL finishes.

**Raised Panel 120 Trough Middle Section**

11" High Center Panel (6" high above trough top)

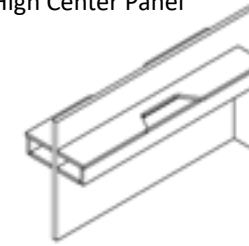


Model Number	Width	Trough Length	Center Panel Length	Height	TFL (T)	HPL (H)
<b>For 42" 120 Degree Worksurfaces</b>						
HV-R12M-1139-?	16 1/2	39 1/4	43 5/8	29	\$1,263	\$1,994
<b>For 48" 120 Degree Worksurfaces</b>						
HV-R12M-1145-?	16 1/2	45 1/4	49 5/8	29	\$1,286	\$2,030
<b>For 54" 120 Degree Worksurfaces</b>						
HV-R12M-1151-?	16 1/2	51 1/4	55 5/8	29	\$1,327	\$2,098

- Includes all required metal brackets and adjustable glides.  
 - Edges are DeskMakers standard 2MM PVC edgebanding for both TFL and HPL finishes.

**Partition Trough End Section**

29" High Center Panel

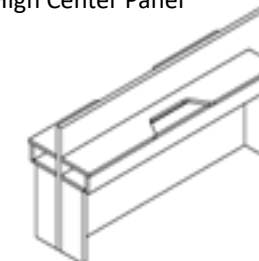


Model Number	Width	Trough Length	Center Panel Length	Height	TFL (T)	HPL (H)
<b>For 42" 120 Degree Worksurfaces</b>						
HV-P12E-2939-?	16 1/2	39 1/4	43 5/8	29	\$1,164	\$1,837
<b>For 48" 120 Degree Worksurfaces</b>						
HV-P12E-2945-?	16 1/2	45 1/4	49 5/8	29	\$1,195	\$1,886
<b>For 54" 120 Degree Worksurfaces</b>						
HV-P12E-2951-?	16 1/2	51 1/4	55 5/8	29	\$1,244	\$1,962

- Includes all required metal brackets and adjustable glides.  
 - Edges are DeskMakers standard 2MM PVC edgebanding for both TFL and HPL finishes.

**Partition Trough Middle Section**

29" High Center Panel

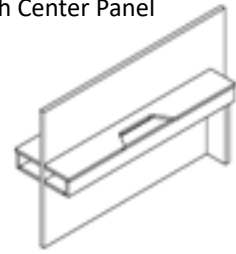


Model Number	Width	Trough Length	Center Panel Length	Height	TFL (T)	HPL (H)
<b>For 42" 120 Degree Worksurfaces</b>						
HV-P12M-2939-?	16 1/2	39 1/4	43 5/8	29	\$1,389	\$2,196
<b>For 48" 120 Degree Worksurfaces</b>						
HV-P12M-2945-?	16 1/2	45 1/4	49 5/8	29	\$1,422	\$2,245
<b>For 54" 120 Degree Worksurfaces</b>						
HV-P12M-2951-?	16 1/2	51 1/4	55 5/8	29	\$1,470	\$2,322

- Includes all required metal brackets and adjustable glides.  
 - Edges are DeskMakers standard 2MM PVC edgebanding for both TFL and HPL finishes.

**Partition Trough End Section**

36" High Center Panel

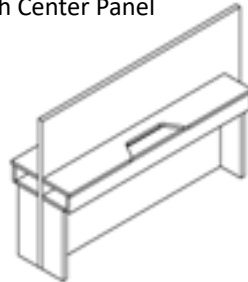


Model Number	Width	Trough Length	Center Panel Length	Height	TFL (T)	HPL (H)
<b>For 42" 120 Degree Worksurfaces</b>						
HV-P12E-3639-?	16 1/2	39 1/4	43 5/8	36	\$1,221	\$1,925
<b>For 48" 120 Degree Worksurfaces</b>						
HV-P12E-3645-?	16 1/2	45 1/4	49 5/8	36	\$1,255	\$1,980
<b>For 54" 120 Degree Worksurfaces</b>						
HV-P12E-3651-?	16 1/2	51 1/4	55 5/8	36	\$1,307	\$2,062

- Includes all required metal brackets and adjustable glides.  
 - Edges are DeskMakers standard 2MM PVC edgebanding for both TFL and HPL finishes.

**Partition Trough Middle Section**

36" High Center Panel

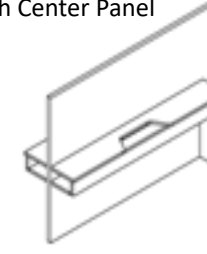


Model Number	Width	Trough Length	Center Panel Length	Height	TFL (T)	HPL (H)
<b>For 42" 120 Degree Worksurfaces</b>						
HV-P12M-3639-?	16 1/2	39 1/4	43 5/8	36	\$1,448	\$2,284
<b>For 48" 120 Degree Worksurfaces</b>						
HV-P12M-3645-?	16 1/2	45 1/4	49 5/8	36	\$1,481	\$2,337
<b>For 54" 120 Degree Worksurfaces</b>						
HV-P12M-3651-?	16 1/2	51 1/4	55 5/8	36	\$1,533	\$2,421

- Includes all required metal brackets and adjustable glides.  
 - Edges are DeskMakers standard 2MM PVC edgebanding for both TFL and HPL finishes.

**Partition Trough End Section**

42" High Center Panel

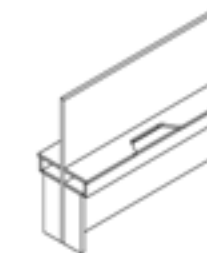


Model Number	Width	Trough Length	Center Panel Length	Height	TFL (T)	HPL (H)
<b>For 42" 120 Degree Worksurfaces</b>						
HV-P12E-4239-?	16 1/2	39 1/4	43 5/8	42	\$1,274	\$2,012
<b>For 48" 120 Degree Worksurfaces</b>						
HV-P12E-4245-?	16 1/2	45 1/4	49 5/8	42	\$1,311	\$2,068
<b>For 54" 120 Degree Worksurfaces</b>						
HV-P12E-4251-?	16 1/2	51 1/4	55 5/8	42	\$1,364	\$2,154

- Includes all required metal brackets and adjustable glides.  
 - Edges are DeskMakers standard 2MM PVC edgebanding for both TFL and HPL finishes.

**Partition Trough Middle Section**

42" High Center Panel

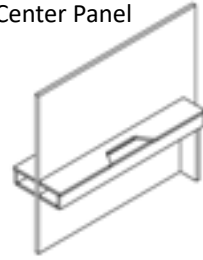


Model Number	Width	Trough Length	Center Panel Length	Height	TFL (T)	HPL (H)
<b>For 42" 120 Degree Worksurfaces</b>						
HV-P12M-4239-?	16 1/2	39 1/4	43 5/8	42	\$1,500	\$2,368
<b>For 48" 120 Degree Worksurfaces</b>						
HV-P12M-4245-?	16 1/2	45 1/4	49 5/8	42	\$1,536	\$2,427
<b>For 54" 120 Degree Worksurfaces</b>						
HV-P12M-4251-?	16 1/2	51 1/4	55 5/8	42	\$1,593	\$2,513

- Includes all required metal brackets and adjustable glides.  
 - Edges are DeskMakers standard 2MM PVC edgebanding for both TFL and HPL finishes.

**Partition Trough End Section**

48" High Center Panel

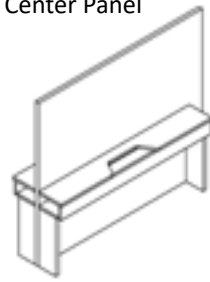


Model Number	Width	Trough Length	Center Panel Length	Height	TFL (T)	HPL (H)
<b>For 42" 120 Degree Worksurfaces</b>						
HV-P12E-4839-?	16 1/2	39 1/4	43 5/8	48	\$1,326	\$2,095
<b>For 48" 120 Degree Worksurfaces</b>						
HV-P12E-4845-?	16 1/2	45 1/4	49 5/8	48	\$1,366	\$2,157
<b>For 54" 120 Degree Worksurfaces</b>						
HV-P12E-4851-?	16 1/2	51 1/4	55 5/8	48	\$1,423	\$2,248

- Includes all required metal brackets and adjustable glides.
- Edges are DeskMakers standard 2MM PVC edgebanding for both TFL and HPL finishes.

**Partition Trough Middle Section**

48" High Center Panel

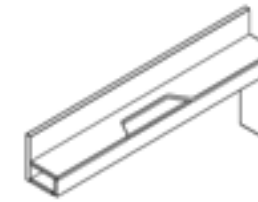


Model Number	Width	Trough Length	Center Panel Length	Height	TFL (T)	HPL (H)
<b>For 42" 120 Degree Worksurfaces</b>						
HV-P12M-4839-?	16 1/2	39 1/4	43 5/8	48	\$1,555	\$2,453
<b>For 48" 120 Degree Worksurfaces</b>						
HV-P12M-4845-?	16 1/2	45 1/4	49 5/8	48	\$1,593	\$2,515
<b>For 54" 120 Degree Worksurfaces</b>						
HV-P12M-4851-?	16 1/2	51 1/4	55 5/8	48	\$1,651	\$2,607

- Includes all required metal brackets and adjustable glides.
- Edges are DeskMakers standard 2MM PVC edgebanding for both TFL and HPL finishes.

**Raised Panel Trough End Section**

11" High Panel (6" high above trough top)

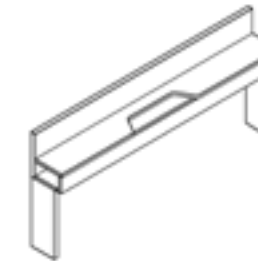


Model Number	Width	Length	Height	TFL (T)	HPL (H)
HV-RSSE-1150-?	8 7/8	50	29	\$738	\$1,167
HV-RSSE-1156-?	8 7/8	56	29	\$752	\$1,190
HV-RSSE-1162-?	8 7/8	62	29	\$786	\$1,242
HV-RSSE-1168-?	8 7/8	68	29	\$840	\$1,325
HV-RSSE-1174-?	8 7/8	74	29	\$871	\$1,377
HV-RSSE-1180-?	8 7/8	80	29	\$1,133	\$1,788
HV-RSSE-1186-?	8 7/8	86	29	\$1,166	\$1,840

- 80" and 86" Troughs include an additional leg support mounted in the middle of trough for additional structural support.
- Includes all required metal brackets and adjustable glides.
- Edges are DeskMakers standard 2MM PVC edgebanding for both TFL and HPL finishes.

**Raised Panel Trough Middle Section**

11" High Panel (6" high above trough top)



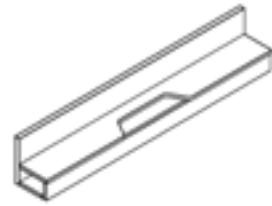
Model Number	Width	Length	Height	TFL (T)	HPL (H)
HV-RSSM-1150-?	8 7/8	50	29	\$851	\$1,344
HV-RSSM-1156-?	8 7/8	56	29	\$867	\$1,370
HV-RSSM-1162-?	8 7/8	62	29	\$899	\$1,420
HV-RSSM-1168-?	8 7/8	68	29	\$952	\$1,503
HV-RSSM-1174-?	8 7/8	74	29	\$986	\$1,554
HV-RSSM-1180-?	8 7/8	80	29	\$1,359	\$2,146
HV-RSSM-1186-?	8 7/8	86	29	\$1,392	\$2,199

- 80" and 86" Troughs include an additional leg support mounted in the middle of trough for additional structural support.
- Includes all required metal brackets and adjustable glides.
- Edges are DeskMakers standard 2MM PVC edgebanding for both TFL and HPL finishes.



**Raised Panel Trough Spanning Section**

11" High Panel (6" high above trough top)

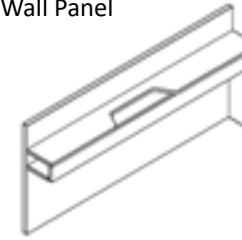


Model Number	Width	Length	Height	TFL (T)	HPL (H)
HV-RSSS-1150-?	8 7/8	50	29	\$626	\$986
HV-RSSS-1156-?	8 7/8	56	29	\$640	\$1,011
HV-RSSS-1162-?	8 7/8	62	29	\$674	\$1,063
HV-RSSS-1168-?	8 7/8	68	29	\$726	\$1,146
HV-RSSS-1174-?	8 7/8	74	29	\$759	\$1,197
HV-RSSS-1180-?	8 7/8	80	29	\$1,021	\$1,609
HV-RSSS-1186-?	8 7/8	86	29	\$1,053	\$1,660

- 80" and 86" Troughs include an additional leg support mounted in the middle of trough for additional structural support.
- Includes all required metal brackets and adjustable glides.
- Edges are DeskMakers standard 2MM PVC edgebanding for both TFL and HPL finishes.

**Partition Trough End Section**

29" High Wall Panel

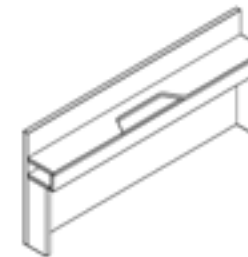


Model Number	Width	Length	Height	TFL (T)	HPL (H)
HV-PSSE-2950-?	8 7/8	50	29	\$874	\$1,378
HV-PSSE-2956-?	8 7/8	56	29	\$895	\$1,413
HV-PSSE-2962-?	8 7/8	62	29	\$936	\$1,478
HV-PSSE-2968-?	8 7/8	68	29	\$996	\$1,575
HV-PSSE-2974-?	8 7/8	74	29	\$1,037	\$1,638
HV-PSSE-2980-?	8 7/8	80	29	\$1,190	\$1,882
HV-PSSE-2986-?	8 7/8	86	29	\$1,233	\$1,947

- Includes all required metal brackets and adjustable glides.
- Edges are DeskMakers standard 2MM PVC edgebanding for both TFL and HPL finishes.

**Partition Trough Middle Section**

29" High Wall Panel

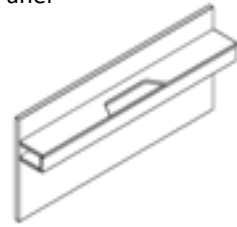


Model Number	Width	Length	Height	TFL (T)	HPL (H)
HV-PSSM-2950-?	8 7/8	50	29	\$986	\$1,557
HV-PSSM-2956-?	8 7/8	56	29	\$1,010	\$1,592
HV-PSSM-2962-?	8 7/8	62	29	\$1,048	\$1,657
HV-PSSM-2968-?	8 7/8	68	29	\$1,111	\$1,753
HV-PSSM-2974-?	8 7/8	74	29	\$1,151	\$1,815
HV-PSSM-2980-?	8 7/8	80	29	\$1,305	\$2,061
HV-PSSM-2986-?	8 7/8	86	29	\$1,347	\$2,125

- Includes all required metal brackets and adjustable glides.
- Edges are DeskMakers standard 2MM PVC edgebanding for both TFL and HPL finishes.

**Partition Trough Spanning Section**

29" High Wall Panel

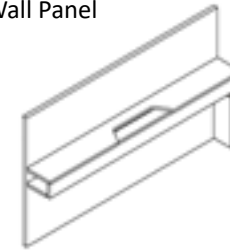


Model Number	Width	Length	Height	TFL (T)	HPL (H)
HV-PSSS-2950-?	8 7/8	50	29	\$760	\$1,198
HV-PSSS-2956-?	8 7/8	56	29	\$782	\$1,234
HV-PSSS-2962-?	8 7/8	62	29	\$823	\$1,299
HV-PSSS-2968-?	8 7/8	68	29	\$884	\$1,394
HV-PSSS-2974-?	8 7/8	74	29	\$925	\$1,458
HV-PSSS-2980-?	8 7/8	80	29	\$1,078	\$1,703
HV-PSSS-2986-?	8 7/8	86	29	\$1,118	\$1,765

- Includes all required metal brackets and adjustable glides.  
 - Edges are DeskMakers standard 2MM PVC edgebanding for both TFL and HPL finishes.

**Partition Trough End Section**

36" High Wall Panel

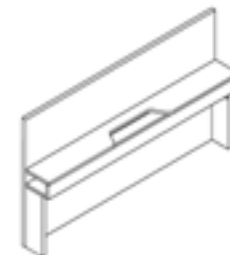


Model Number	Width	Length	Height	TFL (T)	HPL (H)
HV-PSSE-3650-?	8 7/8	50	36	\$933	\$1,472
HV-PSSE-3656-?	8 7/8	56	36	\$959	\$1,511
HV-PSSE-3662-?	8 7/8	62	36	\$1,001	\$1,582
HV-PSSE-3668-?	8 7/8	68	36	\$1,066	\$1,683
HV-PSSE-3674-?	8 7/8	74	36	\$1,110	\$1,751
HV-PSSE-3680-?	8 7/8	80	36	\$1,267	\$2,000
HV-PSSE-3686-?	8 7/8	86	36	\$1,310	\$2,066

- Includes all required metal brackets and adjustable glides.  
 - Edges are DeskMakers standard 2MM PVC edgebanding for both TFL and HPL finishes.

**Partition Trough Middle Section**

36" High Wall Panel

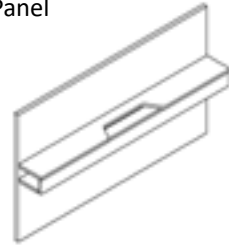


Model Number	Width	Length	Height	TFL (T)	HPL (H)
HV-PSSM-3650-?	8 7/8	50	36	\$1,045	\$1,651
HV-PSSM-3656-?	8 7/8	56	36	\$1,071	\$1,691
HV-PSSM-3662-?	8 7/8	62	36	\$1,115	\$1,761
HV-PSSM-3668-?	8 7/8	68	36	\$1,178	\$1,862
HV-PSSM-3674-?	8 7/8	74	36	\$1,222	\$1,928
HV-PSSM-3680-?	8 7/8	80	36	\$1,379	\$2,177
HV-PSSM-3686-?	8 7/8	86	36	\$1,423	\$2,248

- Includes all required metal brackets and adjustable glides.  
 - Edges are DeskMakers standard 2MM PVC edgebanding for both TFL and HPL finishes.

**Partition Trough Spanning Section**

36" High Wall Panel

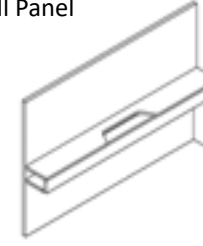


Model Number	Width	Length	Height	TFL (T)	HPL (H)
HV-PSSS-3650-?	8 7/8	50	36	\$819	\$1,292
HV-PSSS-3656-?	8 7/8	56	36	\$845	\$1,334
HV-PSSS-3662-?	8 7/8	62	36	\$889	\$1,402
HV-PSSS-3668-?	8 7/8	68	36	\$952	\$1,503
HV-PSSS-3674-?	8 7/8	74	36	\$996	\$1,573
HV-PSSS-3680-?	8 7/8	80	36	\$1,152	\$1,820
HV-PSSS-3686-?	8 7/8	86	36	\$1,196	\$1,889

- Includes all required metal brackets and adjustable glides.  
 - Edges are DeskMakers standard 2MM PVC edgebanding for both TFL and HPL finishes.

**Partition Trough End Section**

42" High Wall Panel

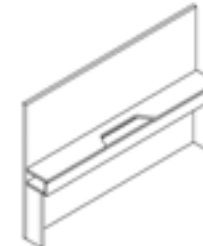


Model Number	Width	Length	Height	TFL (T)	HPL (H)
HV-PSSE-4250-?	8 7/8	50	42	\$989	\$1,560
HV-PSSE-4256-?	8 7/8	56	42	\$1,018	\$1,605
HV-PSSE-4262-?	8 7/8	62	42	\$1,063	\$1,678
HV-PSSE-4268-?	8 7/8	68	42	\$1,129	\$1,784
HV-PSSE-4274-?	8 7/8	74	42	\$1,175	\$1,854
HV-PSSE-4280-?	8 7/8	80	42	\$1,334	\$2,108
HV-PSSE-4286-?	8 7/8	86	42	\$1,381	\$2,180

- Includes all required metal brackets and adjustable glides.  
 - Edges are DeskMakers standard 2MM PVC edgebanding for both TFL and HPL finishes.

**Partition Trough Middle Section**

42" High Wall Panel

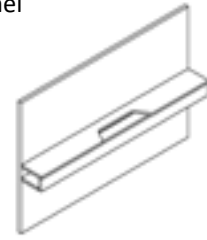


Model Number	Width	Length	Height	TFL (T)	HPL (H)
HV-PSSM-4250-?	8 7/8	50	42	\$1,103	\$1,739
HV-PSSM-4256-?	8 7/8	56	42	\$1,130	\$1,785
HV-PSSM-4262-?	8 7/8	62	42	\$1,177	\$1,857
HV-PSSM-4268-?	8 7/8	68	42	\$1,242	\$1,961
HV-PSSM-4274-?	8 7/8	74	42	\$1,288	\$2,035
HV-PSSM-4280-?	8 7/8	80	42	\$1,449	\$2,287
HV-PSSM-4286-?	8 7/8	86	42	\$1,494	\$2,359

- Includes all required metal brackets and adjustable glides.  
 - Edges are DeskMakers standard 2MM PVC edgebanding for both TFL and HPL finishes.

**Partition Trough Spanning Section**

42" High Wall Panel

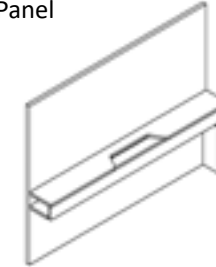


Model Number	Width	Length	Height	TFL (T)	HPL (H)
HV-PSSS-4250-?	8 7/8	50	42	\$875	\$1,381
HV-PSSS-4256-?	8 7/8	56	42	\$903	\$1,426
HV-PSSS-4262-?	8 7/8	62	42	\$949	\$1,498
HV-PSSS-4268-?	8 7/8	68	42	\$1,016	\$1,603
HV-PSSS-4274-?	8 7/8	74	42	\$1,063	\$1,677
HV-PSSS-4280-?	8 7/8	80	42	\$1,221	\$1,926
HV-PSSS-4286-?	8 7/8	86	42	\$1,268	\$2,001

- Includes all required metal brackets and adjustable glides.  
 - Edges are DeskMakers standard 2MM PVC edgebanding for both TFL and HPL finishes.

**Partition Trough End Section**

48" High Wall Panel

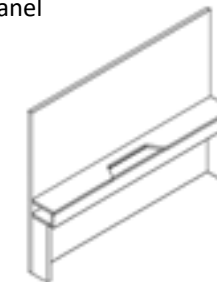


Model Number	Width	Length	Height	TFL (T)	HPL (H)
HV-PSSE-4850-?	8 7/8	50	48	\$1,044	\$1,648
HV-PSSE-4856-?	8 7/8	56	48	\$1,075	\$1,697
HV-PSSE-4862-?	8 7/8	62	48	\$1,125	\$1,774
HV-PSSE-4868-?	8 7/8	68	48	\$1,192	\$1,883
HV-PSSE-4874-?	8 7/8	74	48	\$1,241	\$1,960
HV-PSSE-4880-?	8 7/8	80	48	\$1,403	\$2,215
HV-PSSE-4886-?	8 7/8	86	48	\$1,453	\$2,294

- Includes all required metal brackets and adjustable glides.  
 - Edges are DeskMakers standard 2MM PVC edgebanding for both TFL and HPL finishes.

**Partition Trough Middle Section**

48" High Wall Panel

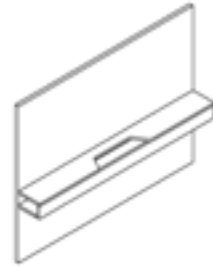


Model Number	Width	Length	Height	TFL (T)	HPL (H)
HV-PSSM-4850-?	8 7/8	50	48	\$1,159	\$1,827
HV-PSSM-4856-?	8 7/8	56	48	\$1,188	\$1,876
HV-PSSM-4862-?	8 7/8	62	48	\$1,237	\$1,952
HV-PSSM-4868-?	8 7/8	68	48	\$1,307	\$2,062
HV-PSSM-4874-?	8 7/8	74	48	\$1,355	\$2,138
HV-PSSM-4880-?	8 7/8	80	48	\$1,518	\$2,397
HV-PSSM-4886-?	8 7/8	86	48	\$1,566	\$2,473

- Includes all required metal brackets and adjustable glides.  
 - Edges are DeskMakers standard 2MM PVC edgebanding for both TFL and HPL finishes.

**Partition Trough Spanning Section**

48" High Wall Panel



Model Number	Width	Length	Height	TFL (T)	HPL (H)
HV-PSSS-4850-?	8 7/8	50	48	\$930	\$1,469
HV-PSSS-4856-?	8 7/8	56	48	\$962	\$1,517
HV-PSSS-4862-?	8 7/8	62	48	\$1,011	\$1,596
HV-PSSS-4868-?	8 7/8	68	48	\$1,078	\$1,703
HV-PSSS-4874-?	8 7/8	74	48	\$1,129	\$1,782
HV-PSSS-4880-?	8 7/8	80	48	\$1,289	\$2,037
HV-PSSS-4886-?	8 7/8	86	48	\$1,338	\$2,112

- Includes all required metal brackets and adjustable glides.
- Edges are DeskMakers standard 2MM PVC edgebanding for both TFL and HPL finishes.

**Double Sided End Panel - 23" High**

For use with Platform and Partition Troughs - Cannot be used on Raised Panel Troughs

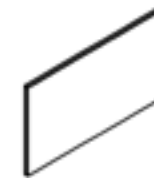


Model Number	Width	Height	TFL (T)	HPL (H)
HV-EPL1-2316-?	16.5	23	\$184	\$291

- End Panel is 1-1/8" thick material.
- Includes two adjustable glides.
- Edges are DeskMakers standard 2MM PVC edgebanding for both TFL and HPL finishes.
- Grain runs horizontal.

**Double Sided End Panel - 29" High**

For use with Raised Panel or Partition Troughs - Cannot be used on Platform Troughs



Model Number	Width	Height	TFL (T)	HPL (H)
HV-EPL1-2952-?	52	29	\$462	\$730
HV-EPL1-2964-?	64	29	\$529	\$833
HV-EPL1-2976-?	76	29	\$616	\$973

- End Panel is 1-1/8" thick material.
- Includes two adjustable glides.
- Edges are DeskMakers standard 2MM PVC edgebanding for both TFL and HPL finishes.
- Grain runs horizontal.

**Double Sided End Panel - 36" High**

For use with Partition Troughs: 36", 42" or 48" high



Model Number	Width	Height	TFL (T)	HPL (H)
HV-EPL1-3652-?	52	36	\$549	\$869
HV-EPL1-3664-?	64	36	\$625	\$985
HV-EPL1-3676-?	76	36	\$697	\$1,100

- End Panel is 1-1/8" thick material.
- Includes two adjustable glides.
- Edges are DeskMakers standard 2MM PVC edgebanding for both TFL and HPL finishes.
- Grain runs horizontal.

**Double Sided End Panel - 42" High**

For use with Partition Troughs: 42" & 48" high

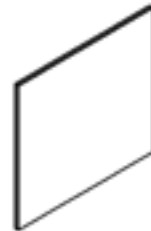


Model Number	Width	Height	TFL (T)	HPL (H)
HV-EPL1-4252-?	52	42	\$616	\$973
HV-EPL1-4264-?	64	42	\$689	\$1,089
HV-EPL1-4276-?	76	42	\$763	\$1,204

- End Panel is 1-1/8" thick material.
- Includes two adjustable glides.
- Edges are DeskMakers standard 2MM PVC edgebanding for both TFL and HPL finishes.
- Grain runs horizontal.

**Double Sided End Panel - 48" High**

For use with Partition Troughs: 48" high



Model Number	Width	Height	TFL (T)	HPL (H)
HV-EPL1-4852-?	52	48	\$682	\$1,079
HV-EPL1-4864-?	64	48	\$755	\$1,194
HV-EPL1-4876-?	76	48	\$829	\$1,309

- End Panel is 1-1/8" thick material.
- Includes two adjustable glides.
- Edges are DeskMakers standard 2MM PVC edgebanding for both TFL and HPL finishes.
- Grain runs horizontal.

**Double Sided Connecting End Panel - 29" High**

Used when connecting to Extension Panels

For use with Raised Panel or Partition Troughs



Model Number	Width	Height	TFL (T)	HPL (H)
HV-EPL3-2952-?	52	29	\$462	\$730
HV-EPL3-2964-?	64	29	\$529	\$833
HV-EPL3-2976-?	76	29	\$616	\$973

- End Panel is 1-1/8" thick material.
- Includes two adjustable glides.
- Edges are DeskMakers standard 2MM PVC edgebanding for both TFL and HPL finishes.
- Grain runs horizontal.

**Double Sided Connecting End Panel - 36" High**

Used when connecting to an Extension Panel

For use with Partition Troughs: 36", 42" or 48" high



Model Number	Width	Height	TFL (T)	HPL (H)
HV-EPL3-3652-?	52	36	\$549	\$869
HV-EPL3-3664-?	64	36	\$625	\$985
HV-EPL3-3676-?	76	36	\$697	\$1,100

- End Panel is 1-1/8" thick material.
- Includes two adjustable glides.
- Edges are DeskMakers standard 2MM PVC edgebanding for both TFL and HPL finishes.
- Grain runs horizontal.

**Double Sided Connecting End Panel - 42" High**

Used when connecting to an Extension Panel

For use with Partition Troughs: 42" & 48" high



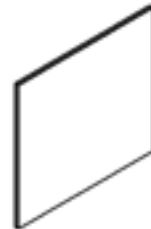
Model Number	Width	Height	TFL (T)	HPL (H)
HV-EPL3-4252-?	52	42	\$616	\$973
HV-EPL3-4264-?	64	42	\$689	\$1,089
HV-EPL3-4276-?	76	42	\$763	\$1,204

- End Panel is 1-1/8" thick material.
- Includes two adjustable glides.
- Edges are DeskMakers standard 2MM PVC edgebanding for both TFL and HPL finishes.
- Grain runs horizontal.

**Double Sided Connecting End Panel - 48" High**

Used when connecting to an Extension Panel

For use with Partition Troughs: 48" high



Model Number	Width	Height	TFL (T)	HPL (H)
HV-EPL3-4852-?	52	48	\$682	\$1,079
HV-EPL3-4864-?	64	48	\$755	\$1,194
HV-EPL3-4876-?	76	48	\$829	\$1,309

- End Panel is 1-1/8" thick material.
- Includes two adjustable glides.
- Edges are DeskMakers standard 2MM PVC edgebanding for both TFL and HPL finishes.
- Grain runs horizontal.

**Single Sided End Panel - 29" High**

For use with Single Sided Raised Panel or Partition Troughs

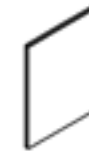


Model Number	Width	Height	TFL (T)	HPL (H)	
<b>Left Model</b>	<b>Right Model</b>				
HV-EPL2-2927-L-?	HV-EPL2-2927-R-?	26 1/2	29	\$325	\$513
HV-EPL2-2934-L-?	HV-EPL2-2934-R-?	33 1/2	29	\$370	\$584
HV-EPL2-2939-L-?	HV-EPL2-2939-R-?	38 1/2	29	\$432	\$681

- End Panel is 1-1/8" thick material.
- Includes two adjustable glides.
- Edges are DeskMakers standard 2MM PVC edgebanding for both TFL and HPL finishes.
- Grain runs horizontal.

**Single Sided End Panel - 36" High**

For use with Single Sided Partition Troughs: 36", 42" or 48" high



Model Number	Width	Height	TFL (T)	HPL (H)	
<b>Left Model</b>	<b>Right Model</b>				
HV-EPL2-3627-L-?	HV-EPL2-3627-R-?	26 1/2	36	\$386	\$610
HV-EPL2-3634-L-?	HV-EPL2-3634-R-?	33 1/2	36	\$437	\$689
HV-EPL2-3639-L-?	HV-EPL2-3639-R-?	38 1/2	36	\$489	\$773

- End Panel is 1-1/8" thick material.
- Includes two adjustable glides.
- Edges are DeskMakers standard 2MM PVC edgebanding for both TFL and HPL finishes.
- Grain runs horizontal.

**Single Sided End Panel -42" High**

For use with Single Sided Partition Troughs: 42" & 48" high



Model Number	Width	Height	TFL (T)	HPL (H)	
<b>Left Model</b>	<b>Right Model</b>				
HV-EPL2-4227-L-?	HV-EPL2-4227-R-?	26 1/2	42	\$432	\$681
HV-EPL2-4234-L-?	HV-EPL2-4234-R-?	33 1/2	42	\$484	\$763
HV-EPL2-4239-L-?	HV-EPL2-4239-R-?	38 1/2	42	\$534	\$842

- End Panel is 1-1/8" thick material.
- Includes two adjustable glides.
- Edges are DeskMakers standard 2MM PVC edgebanding for both TFL and HPL finishes.
- Grain runs horizontal.

**Single Sided End Panel -48" High**

For use with Single Sided Partition Troughs: 48" high



Model Number	Width	Height	TFL (T)	HPL (H)	
<b>Left Model</b>	<b>Right Model</b>				
HV-EPL2-4827-L-?	HV-EPL2-4827-R-?	26 1/2	48	\$478	\$756
HV-EPL2-4834-L-?	HV-EPL2-4834-R-?	33 1/2	48	\$530	\$836
HV-EPL2-4839-L-?	HV-EPL2-4839-R-?	38 1/2	48	\$581	\$917

- End Panel is 1-1/8" thick material.
- Includes two adjustable glides.
- Edges are DeskMakers standard 2MM PVC edgebanding for both TFL and HPL finishes.
- Grain runs horizontal.

**Single Sided Connecting End Panel - 29" High**

Used when connecting to an Extension Panel

For use with Single Sided Raised Panel or Partition Troughs



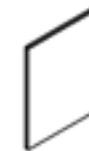
Model Number	Width	Height	TFL (T)	HPL (H)	
<b>Left Model</b>	<b>Right Model</b>				
HV-EPL4-2927-L-?	HV-EPL4-2927-R-?	26 1/2	29	\$325	\$513
HV-EPL4-2934-L-?	HV-EPL4-2934-R-?	33 1/2	29	\$370	\$584
HV-EPL4-2939-L-?	HV-EPL4-2939-R-?	38 1/2	29	\$432	\$681

- End Panel is 1-1/8" thick material.
- Includes two adjustable glides.
- Edges are DeskMakers standard 2MM PVC edgebanding for both TFL and HPL finishes.
- Grain runs horizontal.

**Single Sided Connecting End Panel - 36" High**

Used when connecting to an Extension Panel

For use with Single Sided Partition Troughs: 36", 42" or 48" high



Model Number	Width	Height	TFL (T)	HPL (H)	
<b>Left Model</b>	<b>Right Model</b>				
HV-EPL4-3627-L-?	HV-EPL4-3627-R-?	26 1/2	36	\$386	\$610
HV-EPL4-3634-L-?	HV-EPL4-3634-R-?	33 1/2	36	\$437	\$689
HV-EPL4-3639-L-?	HV-EPL4-3639-R-?	38 1/2	36	\$489	\$773

- End Panel is 1-1/8" thick material.
- Includes two adjustable glides.
- Edges are DeskMakers standard 2MM PVC edgebanding for both TFL and HPL finishes.
- Grain runs horizontal.



**Single Sided Connecting End Panel -42" High**

Used when connecting to an Extension Panel  
For use with Single Sided Partition Troughs: 42" & 48" high



Model Number	Width	Height	TFL (T)	HPL (H)	
<b>Left Model</b>	<b>Right Model</b>				
HV-EPL4-4227-L-?	HV-EPL4-4227-R-?	26 1/2	42	\$432	\$681
HV-EPL4-4234-L-?	HV-EPL4-4234-R-?	33 1/2	42	\$484	\$763
HV-EPL4-4239-L-?	HV-EPL4-4239-R-?	38 1/2	42	\$534	\$842

- End Panel is 1-1/8" thick material.
- Includes two adjustable glides.
- Edges are DeskMakers standard 2MM PVC edgebanding for both TFL and HPL finishes.
- Grain runs horizontal.

**Single Sided Connecting End Panel -48" High**

Used when connecting to an Extension Panel  
For use with Single Sided Partition Troughs: 48" high



Model Number	Width	Height	TFL (T)	HPL (H)	
<b>Left Model</b>	<b>Right Model</b>				
HV-EPL4-4827-L-?	HV-EPL4-4827-R-?	26 1/2	48	\$478	\$756
HV-EPL4-4834-L-?	HV-EPL4-4834-R-?	33 1/2	48	\$530	\$836
HV-EPL4-4839-L-?	HV-EPL4-4839-R-?	38 1/2	48	\$581	\$917

- End Panel is 1-1/8" thick material.
- Includes two adjustable glides.
- Edges are DeskMakers standard 2MM PVC edgebanding for both TFL and HPL finishes.
- Grain runs horizontal.

**Double Sided Divider Panels**



Model Number	Width	Height	TFL (T)	HPL (H)
<b>29" High</b>				
HV-DPL1-2952-?	52	29	\$573	\$904
HV-DPL1-2964-?	64	29	\$638	\$1,009
HV-DPL1-2976-?	76	29	\$726	\$1,148
<b>36" High</b>				
HV-DPL1-3652-?	52	36	\$662	\$1,043
HV-DPL1-3664-?	64	36	\$734	\$1,159
HV-DPL1-3676-?	76	36	\$808	\$1,275
<b>42" High</b>				
HV-DPL1-4252-?	52	42	\$726	\$1,148
HV-DPL1-4264-?	64	42	\$799	\$1,265
HV-DPL1-4276-?	76	42	\$874	\$1,380
<b>48" High</b>				
HV-DPL1-4852-?	52	48	\$792	\$1,250
HV-DPL1-4864-?	64	48	\$866	\$1,367
HV-DPL1-4876-?	76	48	\$938	\$1,484

- Divider Panel is 1-1/8" thick material.
- Includes grommet cutouts and adjustable glides.
- Edges are DeskMakers standard 2MM PVC edgebanding for both TFL and HPL finishes.
- Grain runs horizontal.

Single Sided Divider Panels



Model Number	Width	Height	TFL (T)	HPL (H)
<b>29" High</b>				
HV-DPL2-2927-?	26 1/2	29	\$434	\$513
HV-DPL2-2934-?	33 1/2	29	\$479	\$584
HV-DPL2-2939-?	38 1/2	29	\$541	\$681
<b>36" High</b>				
HV-DPL2-3627-?	26 1/2	36	\$496	\$610
HV-DPL2-3634-?	33 1/2	36	\$547	\$689
HV-DPL2-3639-?	38 1/2	36	\$599	\$773
<b>42" High</b>				
HV-DPL2-4227-?	26 1/2	42	\$541	\$681
HV-DPL2-4234-?	33 1/2	42	\$593	\$763
HV-DPL2-4239-?	38 1/2	42	\$644	\$842
<b>48" High</b>				
HV-DPL2-4827-?	26 1/2	48	\$589	\$756
HV-DPL2-4834-?	33 1/2	48	\$640	\$836
HV-DPL2-4839-?	38 1/2	48	\$690	\$917

- Divider Panel is 1-1/8" thick material.
- Includes grommet cutout and adjustable glides.
- Edges are DeskMakers standard 2MM PVC edgebanding for both TFL and HPL finishes.
- Grain runs horizontal.

Double Sided Connecting Divider Panels  
Used when connecting to Extension Panels



Model Number	Width	Height	TFL (T)	HPL (H)
<b>29" High</b>				
HV-DPL3-2952-?	52	29	\$573	\$904
HV-DPL3-2964-?	64	29	\$638	\$1,009
HV-DPL3-2976-?	76	29	\$726	\$1,148
<b>36" High</b>				
HV-DPL3-3652-?	52	36	\$662	\$1,043
HV-DPL3-3664-?	64	36	\$734	\$1,159
HV-DPL3-3676-?	76	36	\$808	\$1,275
<b>42" High</b>				
HV-DPL3-4252-?	52	42	\$726	\$1,148
HV-DPL3-4264-?	64	42	\$799	\$1,265
HV-DPL3-4276-?	76	42	\$874	\$1,380
<b>48" High</b>				
HV-DPL3-4852-?	52	48	\$792	\$1,250
HV-DPL3-4864-?	64	48	\$866	\$1,367
HV-DPL3-4876-?	76	48	\$938	\$1,484

- Divider Panel is 1-1/8" thick material.
- Includes grommet cutouts and adjustable glides.
- Edges are DeskMakers standard 2MM PVC edgebanding for both TFL and HPL finishes.
- Grain runs horizontal.

**Single Sided Connecting Divider Panels**

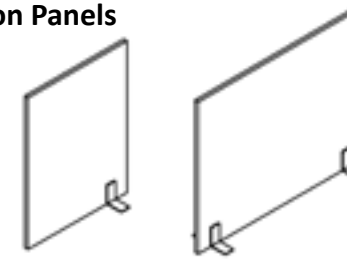
Used when connecting to an Extension Panel



Model Number	Width	Height	TFL (T)	HPL (H)
<b>29" High</b>				
HV-DPL4-2927-?	26 1/2	29	\$434	\$513
HV-DPL4-2934-?	33 1/2	29	\$479	\$584
HV-DPL4-2939-?	38 1/2	29	\$541	\$681
<b>36" High</b>				
HV-DPL4-3627-?	26 1/2	36	\$496	\$610
HV-DPL4-3634-?	33 1/2	36	\$547	\$689
HV-DPL4-3639-?	38 1/2	36	\$599	\$773
<b>42" High</b>				
HV-DPL4-4227-?	26 1/2	42	\$541	\$681
HV-DPL4-4234-?	33 1/2	42	\$593	\$763
HV-DPL4-4239-?	38 1/2	42	\$644	\$842
<b>48" High</b>				
HV-DPL4-4827-?	26 1/2	48	\$589	\$756
HV-DPL4-4834-?	33 1/2	48	\$640	\$836
HV-DPL4-4839-?	38 1/2	48	\$690	\$917

- Divider Panel is 1-1/8" thick material.
- Includes grommet cutout and adjustable glides.
- Edges are DeskMakers standard 2MM PVC edgebanding for both TFL and HPL finishes.
- Grain runs horizontal.

**Extension Panels**



Model Number	Width	Height	TFL (T)	HPL (H)
<b>29" High</b>				
<b>Left Model</b>	<b>Right Model</b>			
HV-EXP1-2924-L-?	HV-EXP1-2924-R-?	24	29	\$492
HV-EXP1-2930-L-?	HV-EXP1-2930-R-?	30	29	\$505
HV-EXP1-2936-L-?	HV-EXP1-2936-R-?	36	29	\$521
HV-EXP1-2942-L-?	HV-EXP1-2942-R-?	42	29	\$699
HV-EXP1-2948-L-?	HV-EXP1-2948-R-?	48	29	\$712
HV-EXP1-2954-L-?	HV-EXP1-2954-R-?	54	29	\$726
HV-EXP1-2960-L-?	HV-EXP1-2960-R-?	60	29	\$741
<b>36" High</b>				
<b>Left Model</b>	<b>Right Model</b>			
HV-EXP1-3624-L-?	HV-EXP1-3624-R-?	24	36	\$505
HV-EXP1-3630-L-?	HV-EXP1-3630-R-?	30	36	\$523
HV-EXP1-3636-L-?	HV-EXP1-3636-R-?	36	36	\$540
HV-EXP1-3642-L-?	HV-EXP1-3642-R-?	42	36	\$722
HV-EXP1-3648-L-?	HV-EXP1-3648-R-?	48	36	\$738
HV-EXP1-3654-L-?	HV-EXP1-3654-R-?	54	36	\$755
HV-EXP1-3660-L-?	HV-EXP1-3660-R-?	60	36	\$773
<b>42" High</b>				
<b>Left Model</b>	<b>Right Model</b>			
HV-EXP1-4224-L-?	HV-EXP1-4224-R-?	24	42	\$519
HV-EXP1-4230-L-?	HV-EXP1-4230-R-?	30	42	\$537
HV-EXP1-4236-L-?	HV-EXP1-4236-R-?	36	42	\$556
HV-EXP1-4242-L-?	HV-EXP1-4242-R-?	42	42	\$741
HV-EXP1-4248-L-?	HV-EXP1-4248-R-?	48	42	\$760
HV-EXP1-4254-L-?	HV-EXP1-4254-R-?	54	42	\$779
HV-EXP1-4260-L-?	HV-EXP1-4260-R-?	60	42	\$799
<b>48" High</b>				
<b>Left Model</b>	<b>Right Model</b>			
HV-EXP1-4824-L-?	HV-EXP1-4824-R-?	24	48	\$530
HV-EXP1-4830-L-?	HV-EXP1-4830-R-?	30	48	\$551
HV-EXP1-4836-L-?	HV-EXP1-4836-R-?	36	48	\$574
HV-EXP1-4842-L-?	HV-EXP1-4842-R-?	42	48	\$760
HV-EXP1-4848-L-?	HV-EXP1-4848-R-?	48	48	\$782
HV-EXP1-4854-L-?	HV-EXP1-4854-R-?	54	48	\$804
HV-EXP1-4860-L-?	HV-EXP1-4860-R-?	60	48	\$826

- Extension panel is 1-1/8" thick material.
- Includes metal T-Foot and adjustable glides.
- Edges are DeskMakers standard 2MM PVC edgebanding for both TFL and HPL finishes.
- Panels must attach to an end panel or divider panel. Cannot be used as a stand-alone wall.
- Grain runs horizontal.

Center Extension Panels

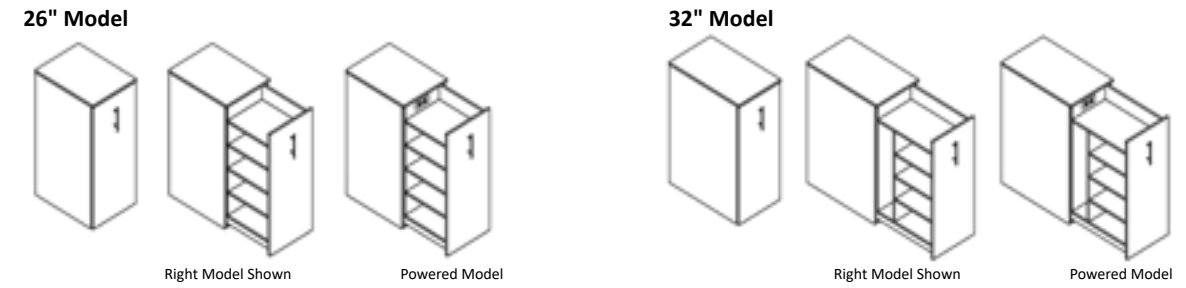


Model Number	Width	Height	TFL (T)	HPL (H)
<b>11" High</b>				
HV-EXP2-1118-?	18 1/4	11	\$145	\$228
HV-EXP2-1124-?	24 1/4	11	\$158	\$249
HV-EXP2-1130-?	30 1/4	11	\$166	\$261
HV-EXP2-1136-?	36 1/2	11	\$171	\$270
HV-EXP2-1142-?	42 1/2	11	\$189	\$300
HV-EXP2-1148-?	48 1/2	11	\$197	\$310
<b>29" High</b>				
HV-EXP2-2918-?	18 1/4	29	\$289	\$457
HV-EXP2-2924-?	24 1/4	29	\$315	\$497
HV-EXP2-2930-?	30 1/4	29	\$329	\$521
HV-EXP2-2936-?	36 1/2	29	\$344	\$541
HV-EXP2-2942-?	42 1/2	29	\$379	\$598
HV-EXP2-2948-?	48 1/2	29	\$393	\$620
<b>36" High</b>				
HV-EXP2-3618-?	18 1/4	36	\$318	\$502
HV-EXP2-3624-?	24 1/4	36	\$329	\$521
HV-EXP2-3630-?	30 1/4	36	\$347	\$546
HV-EXP2-3636-?	36 1/2	36	\$363	\$574
HV-EXP2-3642-?	42 1/2	36	\$403	\$636
HV-EXP2-3648-?	48 1/2	36	\$419	\$662
<b>42" High</b>				
HV-EXP2-4218-?	18 1/4	42	\$333	\$526
HV-EXP2-4224-?	24 1/4	42	\$342	\$538
HV-EXP2-4230-?	30 1/4	42	\$360	\$568
HV-EXP2-4236-?	36 1/2	42	\$379	\$600
HV-EXP2-4242-?	42 1/2	42	\$422	\$666
HV-EXP2-4248-?	48 1/2	42	\$441	\$696
<b>48" High</b>				
HV-EXP2-4818-?	18 1/4	48	\$345	\$545
HV-EXP2-4824-?	24 1/4	48	\$353	\$558
HV-EXP2-4830-?	30 1/4	48	\$375	\$593
HV-EXP2-4836-?	36 1/2	48	\$397	\$627
HV-EXP2-4842-?	42 1/2	48	\$441	\$696
HV-EXP2-4848-?	48 1/2	48	\$463	\$730

- Center extension panel is 1-1/8" thick material.
- Includes mechanical biscuit fasteners on both ends.
- Edges are DeskMakers standard 2MM PVC edgebanding for both TFL and HPL finishes.
- Panels must attach to a trough center panel and storage unit. Cannot be used as a stand-alone wall.
- Grain runs horizontal.

Personal Storage Tower - Shelf Storage Model

Single Pull-Out Door

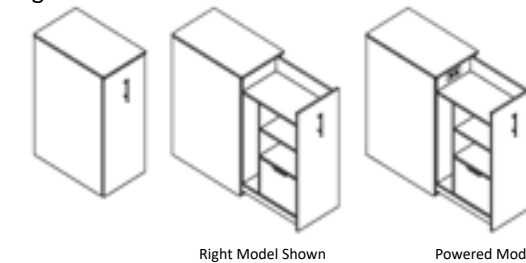


Model Number	Width	Depth	Height	Price	
<b>Left Model</b>	<b>Right Model</b>				
HV-PST1-1826-L	HV-PST1-1826-R	18	26	42	\$3,070
HV-PST1-1826-LPWR	HV-PST1-1826-RPWR	18	26	42	\$3,623
HV-PST1-1832-L	HV-PST1-1832-R	18	32	42	\$3,268
HV-PST1-1832-LPWR	HV-PST1-1832-RPWR	18	32	42	\$3,820

- 24" Deep model includes fixed shelf and two adjustable shelves.
- 30" Deep model includes wardrobe with coat hook, fixed shelf and two adjustable shelves.
- Powered model includes power unit with two outlets and two USB charging ports. Power unit has 108" long cord with plug. Power unit is field installed into factory cut hole. Grommet not included.
- Includes adjustable glides.
- Lock NOT standard. For lock on doors per bay, add OP-LOCK-ADD for \$127.
- Must specify grommet for electrical pass-thru. For grommet located on left side, use HV-GROM-LEFT for \$54; for grommet located on right side, use HV-GROM-RGHT for \$54; for grommet on both sides, use HV-GROM-BOTH for \$108.

Personal Storage Tower - File Storage Model

Single Pull-Out Door



Model Number	Width	Depth	Height	Price	
<b>Left Model</b>	<b>Right Model</b>				
HV-PST2-1832-L	HV-PST2-1832-R	18	32	42	\$3,894
HV-PST2-1832-LPWR	HV-PST2-1832-RPWR	18	32	42	\$4,448

- Includes wardrobe with coat hook, fixed shelf, adjustable shelf and one file drawer.
- Powered model includes power unit with two outlets and two USB charging ports. Power unit has 108" long cord with plug. Power unit is field installed into factory cut hole. Grommet not included.
- Includes adjustable glides.
- Lock NOT standard. For lock on doors per bay, add OP-LOCK-ADD for \$127.
- Must specify grommet for electrical pass-thru. For grommet located on left side, use HV-GROM-LEFT for \$54; for grommet located on right side, use HV-GROM-RGHT for \$54; for grommet on both sides, use HV-GROM-BOTH for \$108.

**U-Shaped Wire Management Channel**



Model Number	Width	Depth	Height	Price
HV-UCHN-18	5	7	18	\$211

- 3/4" thermofuse laminate material only.
- Ships with mounting hardware for securing to table base.
- Cannot be used to support troughs.

**Wire Management Support Base**

Used with Platform and Raised Panel Troughs



Model Number	Width	Depth	Height	Price
HV-WML1-18	9	12	18	\$697

- 3/4" thermofuse laminate material only.
- Includes one hinged access door.
- Includes adjustable glides.
- Edges are DeskMakers standard 2MM PVC edgebanding.

**Wire Management Support Base**

Used with Partition and Single Sided Troughs



Model Number	Width	Depth	Height	Price
HV-WML2-18	9	5 1/2	18	\$403

- 3/4" thermofuse laminate material only.
- Includes one hinged access door.
- Includes adjustable glides.
- Edges are DeskMakers standard 2MM PVC edgebanding.

**End Panel Infeed Grommet Option**



Model Number	Price
HV-GROM-ENDP	\$54

- 2-1/2" diameter grommet is plastic.
- Grommet is centered on the depth of the end panel and is located 6" on center above the bottom edge.

**Metal Wall Panel T-Foot**



Model Number	Price
HV-PNLS-TF	\$167

- Powder coat silver finish.

Please visit [Deskmakers.com](https://www.Deskmakers.com) to view our current **Terms and Conditions**.

Please visit [DeskMakers.com](https://DeskMakers.com) to view our current **Warranty**.

## Showroom Locations

### Los Angeles

DeskMakers Headquarters  
6525 Flotilla Street  
Commerce, CA 90040

---

**DeskMakers**

Phone: 323.264.2260 | Fax: 323.725.6960  
[www.deskmakers.com](http://www.deskmakers.com)