



hedge

PRICE & SPECIFICATION GUIDE

planter boxes & walls

Version: 08.30.24

The logo for DeskMakers, featuring the word "Desk" in a grey sans-serif font and "Makers" in a bold, black sans-serif font, with a horizontal orange line above the "Makers" text.

revisions

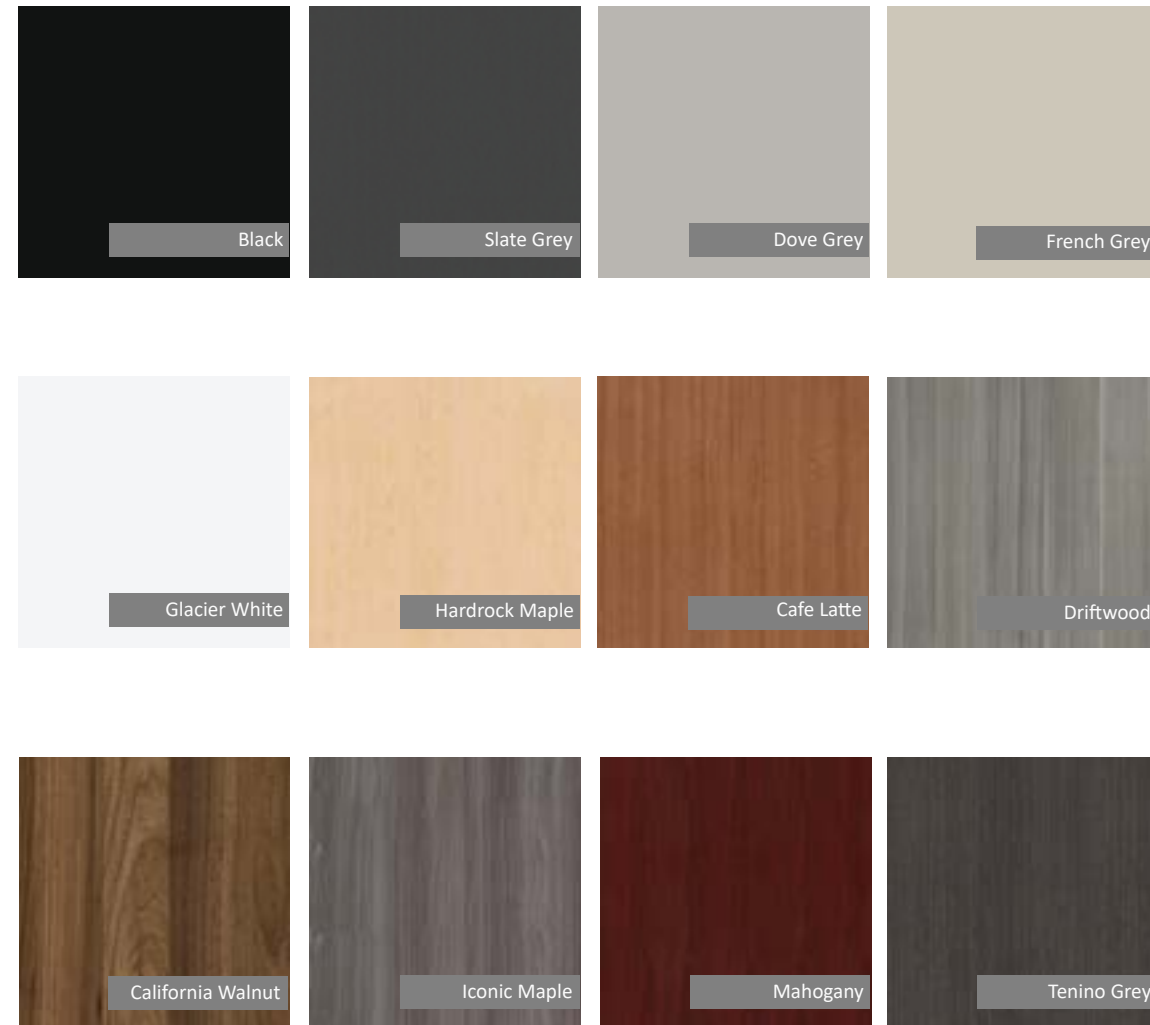
table of contents

08/14/24	Product Launch
08/30/24	Updated finishes

Laminates	4-5
Product Details	6-9
Planter Boxes	10-11
Planter Walls	12-17
Accessories	18
Inspiration	19
Terms & Conditions	20
Warranty	21

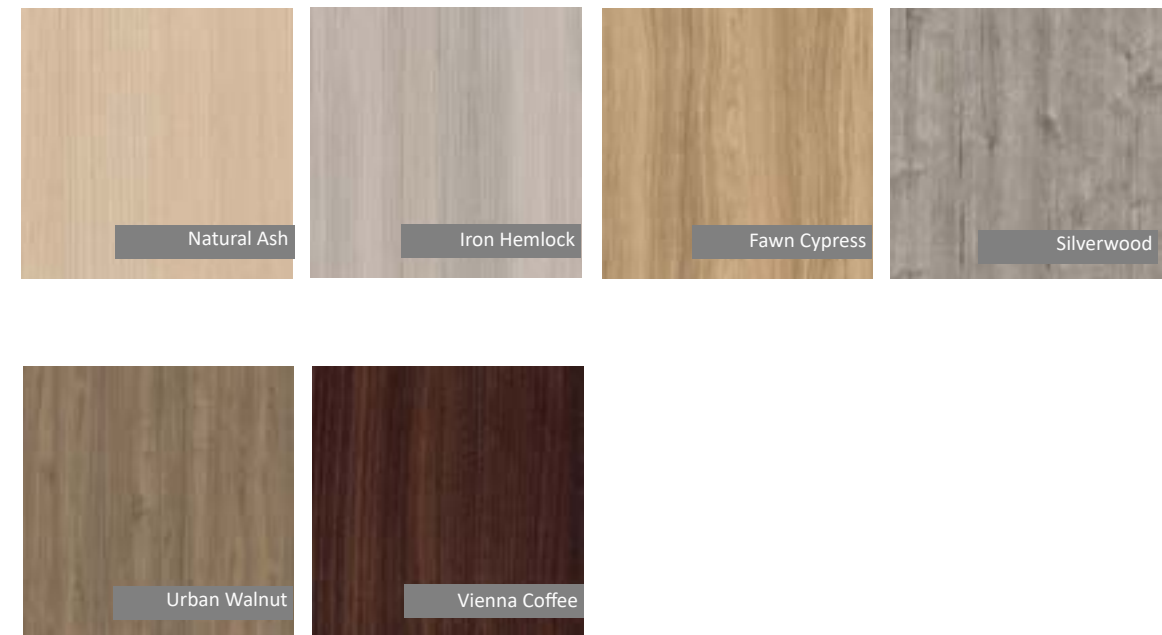
laminates finishes

standard thermofuse laminate (TFL)



Matching 2MM PVC edgebanding is available for all Standard TFL finishes shown here. For HPL match information please visit deskmakers.com/resources/materials

premium thermofuse laminate (TFL)



Premium TFLs require a 10% upcharge. Add item code OP-TTFL-1.
 Matching 2MM PVC edgebanding is available for all Premium TFL finishes shown here.
 For HPL match information please visit deskmakers.com/resources/materials

high pressure laminate (HPL)

- Pricing shown in this price list applies only to non-premium HPLs as follows:
- Wilsonart: Solids, Woodgrains, and Abstracts in Matte (-60) finish,
 - Formica: Color Portfolio, Woodgrains, and Patterns in Matte (-58) finish
 - Pionite: Solids, Woodgrains, and Abstracts in Suede (N) finish
 - Arborite: Solids, Woodgrains, Textures and Abstracts in Matte (CA) finish
 - Nevamar: Solids, Woodgrains, Stones and Abstracts in ARP (-T) finish

A minimum charge of \$520 net per HPL color will be applied to each order.

Call customer service for pricing for all other HPLs.

Additional lead times required for HPL orders depending on material availability and order complexity.

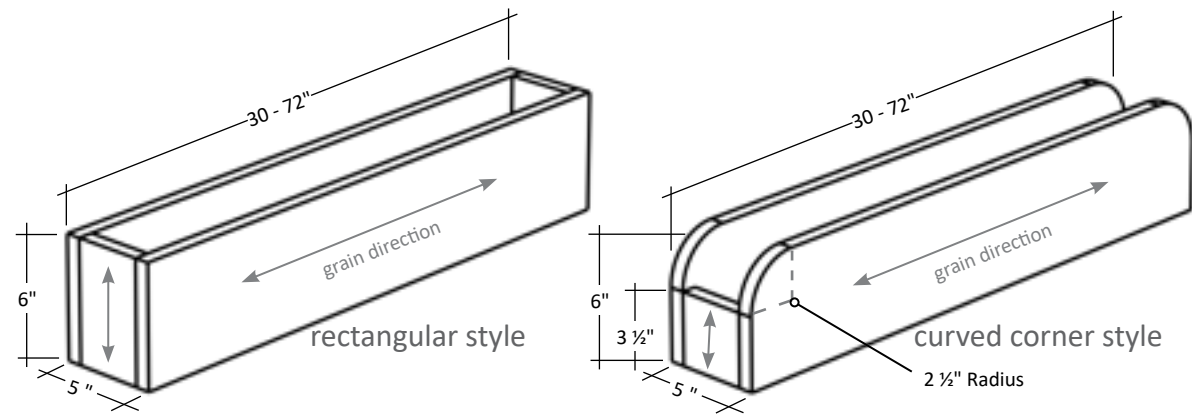
HPL is always available with DeskMakers standard 2MM edgebanding. Special order matching PVC 2MM edgebanding may be available for orders \$25,000 List or larger, call customer service for pricing.

hedge 6" planter boxes



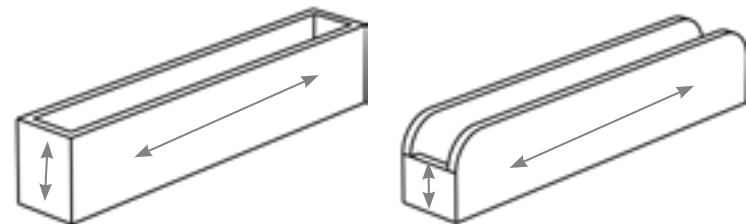
details

- All Hedge Planter Boxes are 5" wide. The 6" tall units have an interior volume of 3 1/2" W x 5 1/4" H x (L-1 1/2").
- Hedge Planter Boxes are available in 6" increments from 30" to 72". Please contact Design and Quoting Department to inquire about custom sizing. Minimum quantities may be required.
- All 3/4" thick panels in TFL or HPL with Deskmakers standard 2MM PVC edge banding.
- Available in two styles - rectangular, and curved corner. The curved cornered planter has a 2 1/2" radius curve on the top edges.
- Hedge Planter Boxes are not sealed and are intended for dry usage - faux plants and other decor. See page 19 for examples.
- Using live plants and/or water will violate the product warranty.



hpl version

The HPL version of the planter features the same construction, but with fewer visible seams.

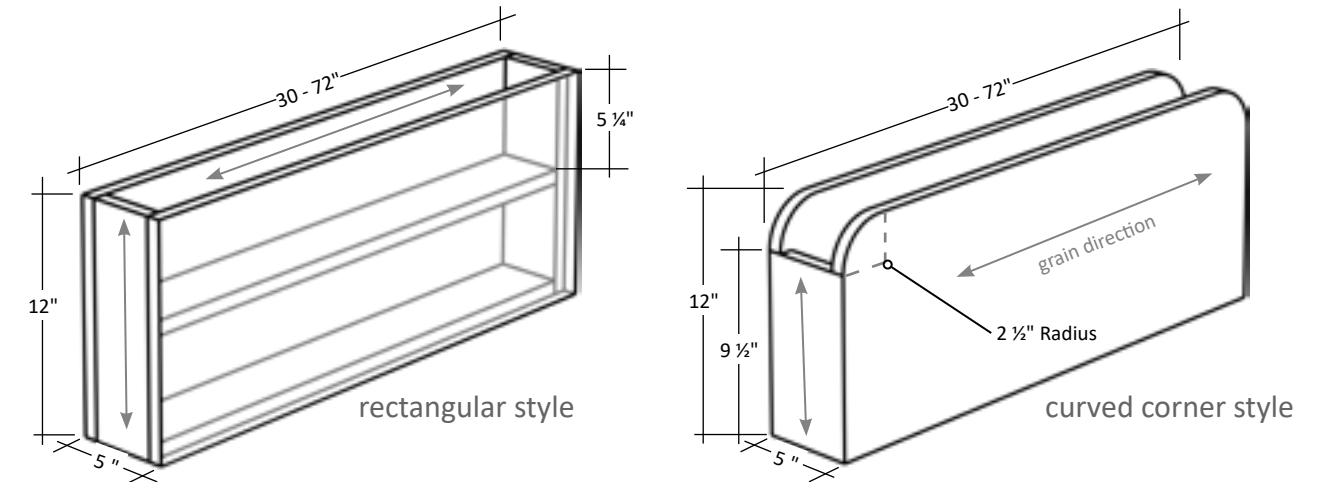


hedge 12" planter boxes



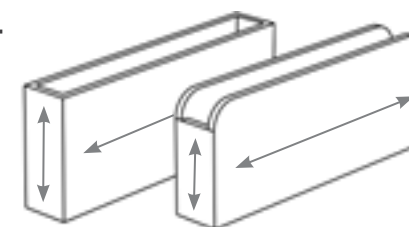
details

- All Hedge Planter Boxes are 5" wide. The 12" tall units maintain an interior volume of 3 1/2" W x 5 1/4" H x (L-1 1/2").
- Hedge Planter Boxes are available in 6" increments from 30" to 72". Please contact Design and Quoting Department to inquire about custom sizing. Minimum quantities may be required.
- All 3/4" thick panels in TFL or HPL with Deskmakers standard 2MM PVC edge banding.
- Available in two styles - rectangular, and curved corner. The curved cornered planter has a 2 1/2" radius curve on the top edges.
- Electrical option adds grommets on either side of the planter to allow cords to pass under the false bottom.
- Hedge Planter Boxes are not sealed and are intended for dry usage - faux plants and other decor. See page 19 for examples.
- Using live plants and/or water will violate the product warranty.



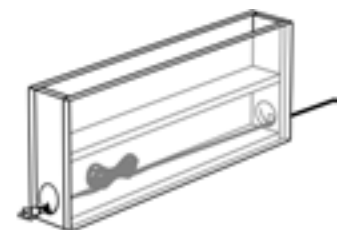
hpl version

The HPL version of the planter features the same construction, but with fewer visible seams.



electrical version

Grommets can allow the planter box to help hide electrical connections.

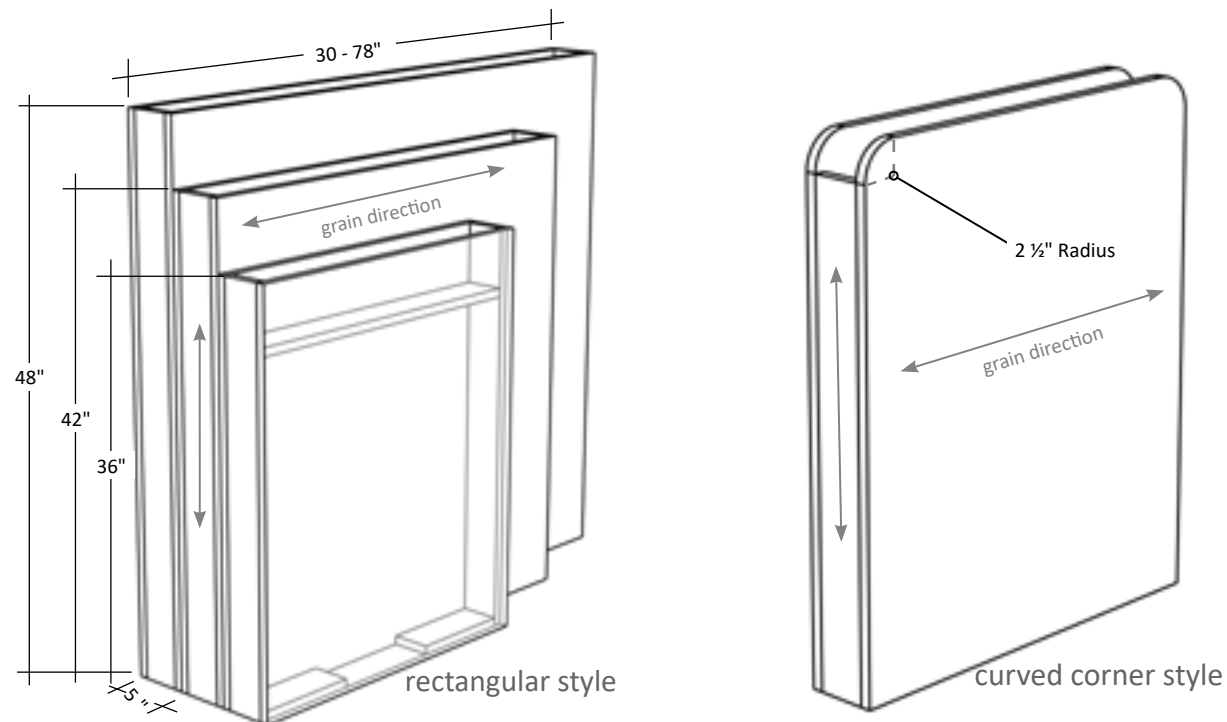


hedge planter walls



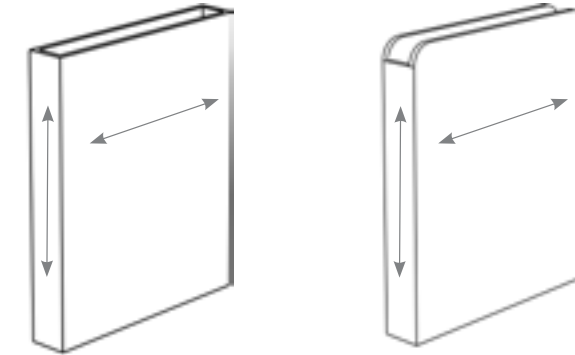
details

- All Hedge Planter Walls are 5" wide. Walls maintain an interior volume of 3 1/2" W x 5 1/4" H x (L-1 1/2") using a false bottom.
- Hedge Planter walls are available in 3 standard heights - 36", 42" and 48" and in 6" length increments from 30" to 78". These sizes co-ordinate with existing spine wall and transaction counter offerings. Please contact Design and Quoting Department to inquire about custom sizing. Minimum quantities may be required.
- All 3/4" thick panels in TFL or HPL with Deskmakers standard 2MM PVC edge banding.
- Available in two styles - rectangular, and curved corner. The curved cornered planter has a 2 1/2" radius curve on the top edges.
- Electrical option adds a removable access door and grommets to allow electrical components to be hidden within the wall.
- Hedge Planter Walls must be secured to other furniture, site walls, or floor. They are not self-supporting.
- Hedge Planters are not sealed and are intended for dry usage - faux plants and other decor. See page 19 for examples.
- Using live plants and/or water will violate the product warranty.



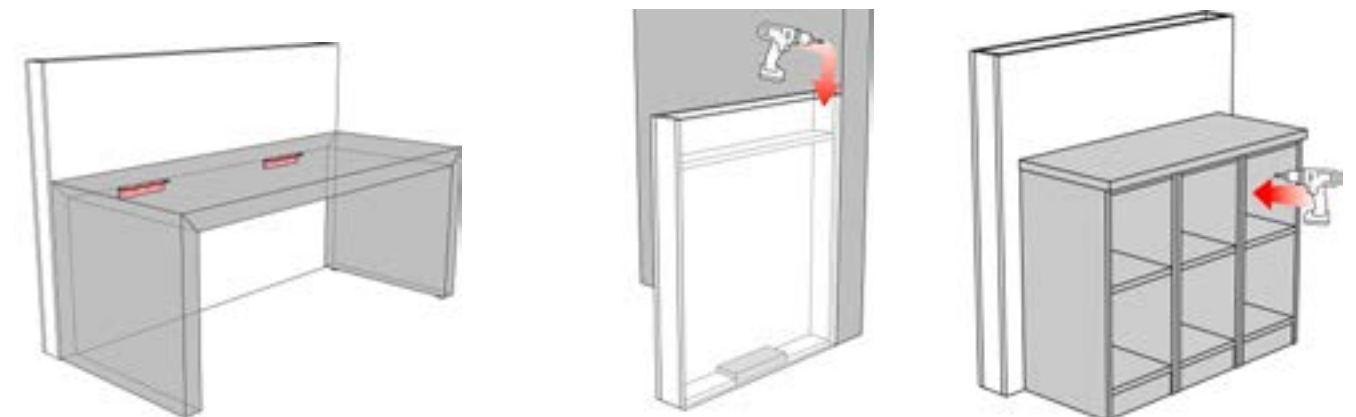
hpl version

The HPL version of the planter features the same construction, but with fewer visible seams.



installation

Hedge planter walls must be secured to site or existing furniture. These items are not freestanding.



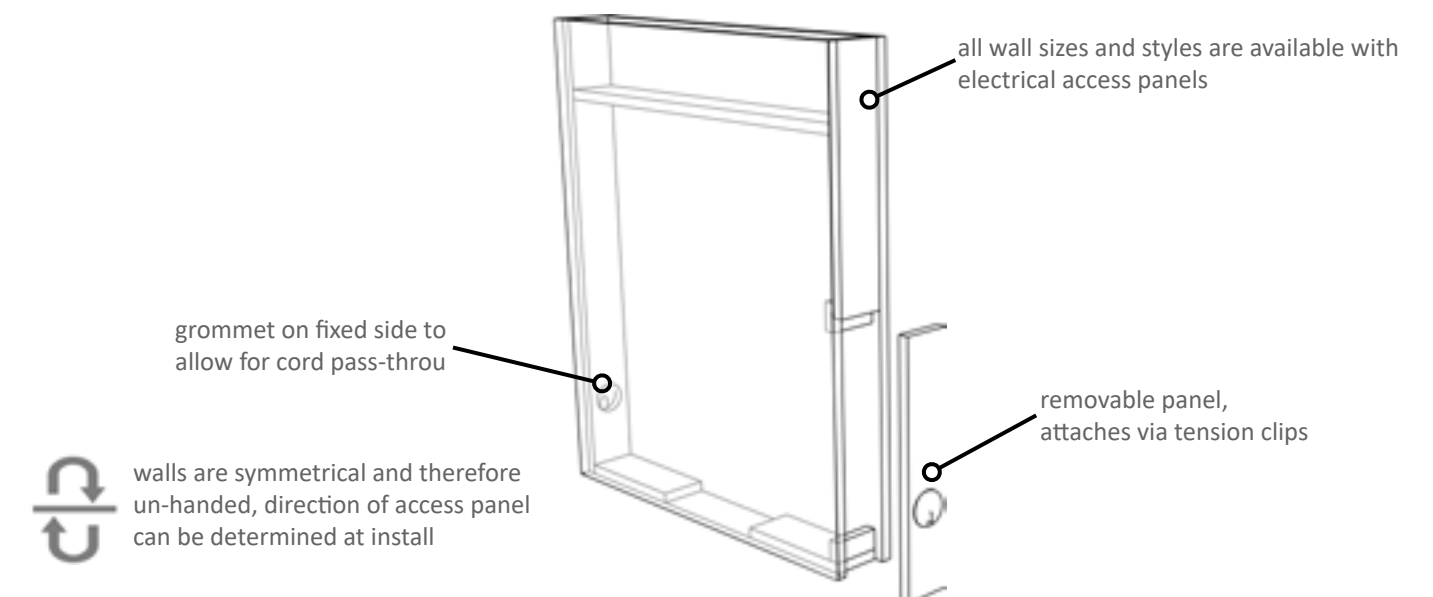
All Hedge Planter Walls will ship with two large L-brackets to aid with install.

A 2x4 secured to the floor and fitted into the open bottom of the planter wall will steady it, but it still must be attached to a site wall.

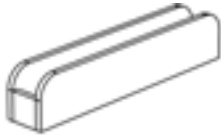
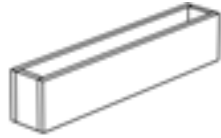
In some applications, the planter wall can be fastened directly to supporting furniture with wood screws.

electrical version

Grommets and access panels can allow the planter wall to hide electrical components in the interior cavity.



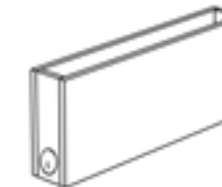
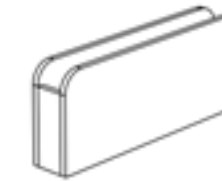
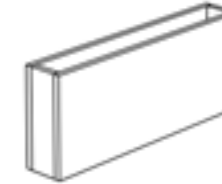
6" planter boxes



Model Numbers	Width	Length	Height	T1	T2	H1
rectangular style						
HG-PLN1-0630-??	5	30	6	\$506	\$557	\$893
HG-PLN1-0636-??	5	36	6	\$510	\$561	\$893
HG-PLN1-0642-??	5	42	6	\$514	\$565	\$901
HG-PLN1-0648-??	5	48	6	\$518	\$570	\$905
HG-PLN1-0654-??	5	54	6	\$522	\$574	\$910
HG-PLN1-0660-??	5	60	6	\$526	\$579	\$914
HG-PLN1-0666-??	5	66	6	\$529	\$582	\$918
HG-PLN1-0672-??	5	72	6	\$533	\$586	\$922
curved corner style						
HG-PLN2-0630-??	5	30	6	\$555	\$611	\$947
HG-PLN2-0636-??	5	36	6	\$559	\$615	\$951
HG-PLN2-0642-??	5	42	6	\$563	\$619	\$955
HG-PLN2-0648-??	5	48	6	\$567	\$624	\$959
HG-PLN2-0654-??	5	54	6	\$574	\$631	\$968
HG-PLN2-0660-??	5	60	6	\$578	\$636	\$972
HG-PLN2-0666-??	5	66	6	\$582	\$640	\$976
HG-PLN2-0672-??	5	72	6	\$586	\$645	\$980

- 3/4" thick construction in TFL or HPL with Deskmakers standard 2MM PVC edge banding. Contact Design & Quoting for pricing on non-standard HPLs.
 - Ships assembled.
 - Planter can be temporarily secured to a surface using double-sided tape (see pg 18) or permanently using standard wood screws.
 Hedge Planter Boxes do not tip easily and may only need to be secured in high traffic areas or when placed near the edge of other furniture.

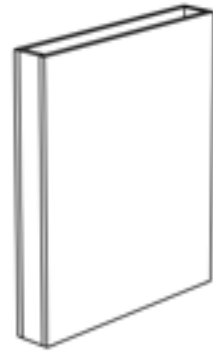
12" planter boxes



Model Numbers	Width	Length	Height	T1	T2	H1
rectangular style						
HG-PLN1-1230-??	5	30	12	\$534	\$587	\$923
HG-PLN1-1236-??	5	36	12	\$539	\$593	\$928
HG-PLN1-1242-??	5	42	12	\$544	\$598	\$934
HG-PLN1-1248-??	5	48	12	\$549	\$604	\$940
HG-PLN1-1254-??	5	54	12	\$554	\$609	\$945
HG-PLN1-1260-??	5	60	12	\$563	\$619	\$955
HG-PLN1-1266-??	5	66	12	\$568	\$625	\$961
HG-PLN1-1272-??	5	72	12	\$573	\$630	\$967
curved corner style						
HG-PLN2-1230-??	5	30	12	\$590	\$649	\$985
HG-PLN2-1236-??	5	36	12	\$585	\$644	\$991
HG-PLN2-1242-??	5	42	12	\$600	\$660	\$996
HG-PLN2-1248-??	5	48	12	\$606	\$667	\$1,002
HG-PLN2-1254-??	5	54	12	\$611	\$672	\$1,008
HG-PLN2-1260-??	5	60	12	\$623	\$685	\$1,022
HG-PLN2-1266-??	5	66	12	\$629	\$692	\$1,027
HG-PLN2-1272-??	5	72	12	\$634	\$697	\$1,033
rectangular style - electrical version						
HG-PL1E-1230-??	5	30	12	\$642	\$695	\$1,031
HG-PL1E-1236-??	5	36	12	\$647	\$701	\$1,036
HG-PL1E-1242-??	5	42	12	\$652	\$706	\$1,042
HG-PL1E-1248-??	5	48	12	\$657	\$712	\$1,048
HG-PL1E-1254-??	5	54	12	\$662	\$717	\$1,053
HG-PL1E-1260-??	5	60	12	\$671	\$727	\$1,063
HG-PL1E-1266-??	5	66	12	\$676	\$733	\$1,069
HG-PL1E-1272-??	5	72	12	\$681	\$738	\$1,075
curved corner style - electrical version						
HG-PL2E-1230-??	5	30	12	\$698	\$757	\$1,093
HG-PL2E-1236-??	5	36	12	\$693	\$752	\$1,099
HG-PL2E-1242-??	5	42	12	\$708	\$768	\$1,104
HG-PL2E-1248-??	5	48	12	\$714	\$775	\$1,110
HG-PL2E-1254-??	5	54	12	\$719	\$780	\$1,116
HG-PL2E-1260-??	5	60	12	\$731	\$793	\$1,130
HG-PL2E-1266-??	5	66	12	\$737	\$800	\$1,135
HG-PL2E-1272-??	5	72	12	\$742	\$805	\$1,141

- 3/4" thick construction in TFL or HPL with Deskmakers standard 2MM PVC edge banding. Contact Design & Quoting for pricing on non-standard HPLs.
 - Ships assembled.
 - Electrical version included (2x) black 2.5" round grommet covers.
 - Planter can be temporarily secured to a surface using double-sided tape (see pg 18) or permanently using standard wood screws.
 Hedge Planter Boxes do not tip easily and may only need to be secured in high traffic areas or when placed near the edge of other furniture.

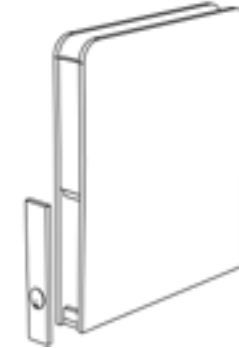
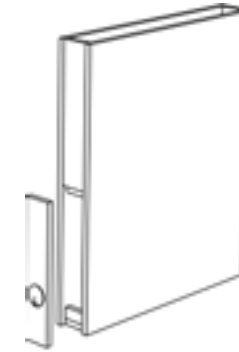
36" planter walls



Model Numbers	Width	Length	Height	T1	T2	H1
rectangular style						
HG-PWL1-3630-??	5	30	36	\$876	\$964	\$1,635
HG-PWL1-3636-??	5	36	36	\$876	\$964	\$1,635
HG-PWL1-3642-??	5	42	36	\$876	\$964	\$1,635
HG-PWL1-3648-??	5	48	36	\$881	\$969	\$1,641
HG-PWL1-3654-??	5	54	36	\$881	\$969	\$1,641
HG-PWL1-3660-??	5	60	36	\$886	\$975	\$1,646
HG-PWL1-3666-??	5	66	36	\$886	\$975	\$1,646
HG-PWL1-3672-??	5	72	36	\$889	\$978	\$1,650
HG-PWL1-3678-??	5	78	36	\$889	\$978	\$1,650
curved corner style						
HG-PWL2-3630-??	5	30	36	\$1,137	\$1,251	\$2,259
HG-PWL2-3636-??	5	36	36	\$1,137	\$1,251	\$2,259
HG-PWL2-3642-??	5	42	36	\$1,141	\$1,255	\$2,262
HG-PWL2-3648-??	5	48	36	\$1,142	\$1,256	\$2,263
HG-PWL2-3654-??	5	54	36	\$1,145	\$1,260	\$2,267
HG-PWL2-3660-??	5	60	36	\$1,147	\$1,262	\$2,269
HG-PWL2-3666-??	5	66	36	\$1,150	\$1,265	\$2,273
HG-PWL2-3672-??	5	72	36	\$1,151	\$1,266	\$2,273
HG-PWL2-3678-??	5	78	36	\$1,153	\$1,268	\$2,277

- 3/4" thick construction in TFL or HPL with Deskmakers standard 2MM PVC edge banding. Contact Design & Quoting for Pricing on non-standard HPLs.
- Ships assembled. Two L-brackets included to aid with install.
- Planter Wall must be secured to other, more substantial furniture, site walls or the floor. This item is not self-supporting.

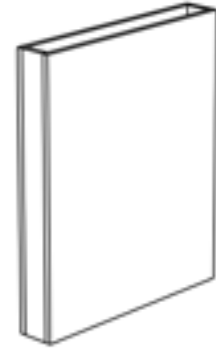
36" planter walls with electrical panel



Model Numbers	Width	Length	Height	T1	T2	H1
rectangular style						
HG-PW1E-3630-??	5	30	36	\$1,030	\$1,118	\$1,789
HG-PW1E-3636-??	5	36	36	\$1,030	\$1,118	\$1,789
HG-PW1E-3642-??	5	42	36	\$1,030	\$1,118	\$1,789
HG-PW1E-3648-??	5	48	36	\$1,035	\$1,123	\$1,795
HG-PW1E-3654-??	5	54	36	\$1,035	\$1,123	\$1,795
HG-PW1E-3660-??	5	60	36	\$1,040	\$1,129	\$1,800
HG-PW1E-3666-??	5	66	36	\$1,040	\$1,129	\$1,800
HG-PW1E-3672-??	5	72	36	\$1,043	\$1,132	\$1,804
HG-PW1E-3678-??	5	78	36	\$1,043	\$1,132	\$1,804
curved corner style						
HG-PW2E-3630-??	5	30	36	\$1,291	\$1,405	\$2,413
HG-PW2E-3636-??	5	36	36	\$1,291	\$1,405	\$2,413
HG-PW2E-3642-??	5	42	36	\$1,295	\$1,409	\$2,416
HG-PW2E-3648-??	5	48	36	\$1,296	\$1,410	\$2,417
HG-PW2E-3654-??	5	54	36	\$1,299	\$1,414	\$2,421
HG-PW2E-3660-??	5	60	36	\$1,301	\$1,416	\$2,423
HG-PW2E-3666-??	5	66	36	\$1,304	\$1,419	\$2,427
HG-PW2E-3672-??	5	72	36	\$1,305	\$1,420	\$2,427
HG-PW2E-3678-??	5	78	36	\$1,307	\$1,422	\$2,431

- 3/4" thick construction in TFL or HPL with Deskmakers standard 2MM PVC edge banding. Contact Design & Quoting for Pricing on non-standard HPLs.
- Ships assembled. Two L-brackets included to aid with install.
- Planter Wall must be secured to other, more substantial furniture, site walls or the floor. This item is not self-supporting.
- Electrical version is un-handed, unit can be installed with door facing either direction. Included (2x) 2.5" black grommet covers.

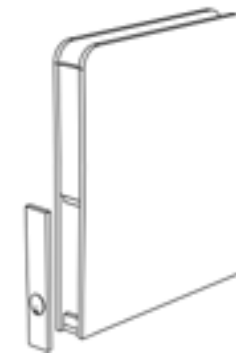
42" planter walls



Model Numbers	Width	Length	Height	T1	T2	H1
rectangular style						
HG-PWL1-4230-??	5	30	42	\$890	\$979	\$1,650
HG-PWL1-4236-??	5	36	42	\$891	\$980	\$1,652
HG-PWL1-4242-??	5	42	42	\$894	\$983	\$1,655
HG-PWL1-4248-??	5	48	42	\$894	\$983	\$1,655
HG-PWL1-4254-??	5	54	42	\$895	\$985	\$1,656
HG-PWL1-4260-??	5	60	42	\$896	\$986	\$1,658
HG-PWL1-4266-??	5	66	42	\$899	\$989	\$1,661
HG-PWL1-4272-??	5	72	42	\$899	\$989	\$1,661
HG-PWL1-4278-??	5	78	42	\$899	\$989	\$1,661
curved corner style						
HG-PWL2-4230-??	5	30	42	\$1,155	\$1,271	\$2,278
HG-PWL2-4236-??	5	36	42	\$1,156	\$1,272	\$2,279
HG-PWL2-4242-??	5	42	42	\$1,159	\$1,275	\$2,282
HG-PWL2-4248-??	5	48	42	\$1,180	\$1,298	\$2,305
HG-PWL2-4254-??	5	54	42	\$1,192	\$1,311	\$2,319
HG-PWL2-4260-??	5	60	42	\$1,192	\$1,311	\$2,319
HG-PWL2-4266-??	5	66	42	\$1,197	\$1,317	\$2,325
HG-PWL2-4272-??	5	72	42	\$1,197	\$1,317	\$2,325
HG-PWL2-4278-??	5	78	42	\$1,198	\$1,318	\$2,325

- 3/4" thick construction in TFL or HPL with Deskmakers standard 2MM PVC edge banding. Contact Design & Quoting for Pricing on non-standard HPLs.
- Ships assembled. Two L-brackets included to aid with install.
- Planter Wall must be secured to other, more substantial furniture, site walls or the floor. This item is not self-supporting.

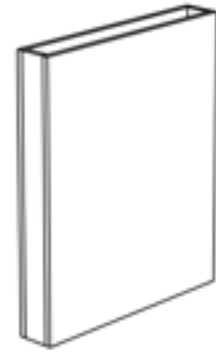
42" planter walls with electrical panel



Model Numbers	Width	Length	Height	T1	T2	H1
rectangular style						
HG-PW1E-4230-??	5	30	42	\$1,044	\$1,133	\$1,804
HG-PW1E-4236-??	5	36	42	\$1,045	\$1,134	\$1,806
HG-PW1E-4242-??	5	42	42	\$1,048	\$1,137	\$1,809
HG-PW1E-4248-??	5	48	42	\$1,048	\$1,137	\$1,809
HG-PW1E-4254-??	5	54	42	\$1,049	\$1,139	\$1,810
HG-PW1E-4260-??	5	60	42	\$1,050	\$1,140	\$1,812
HG-PW1E-4266-??	5	66	42	\$1,053	\$1,143	\$1,815
HG-PW1E-4272-??	5	72	42	\$1,053	\$1,143	\$1,815
HG-PW1E-4278-??	5	78	42	\$1,053	\$1,143	\$1,815
curved corner style						
HG-PW2E-4230-??	5	30	42	\$1,309	\$1,425	\$2,432
HG-PW2E-4236-??	5	36	42	\$1,310	\$1,426	\$2,433
HG-PW2E-4242-??	5	42	42	\$1,313	\$1,429	\$2,436
HG-PW2E-4248-??	5	48	42	\$1,334	\$1,452	\$2,459
HG-PW2E-4254-??	5	54	42	\$1,346	\$1,465	\$2,473
HG-PW2E-4260-??	5	60	42	\$1,346	\$1,465	\$2,473
HG-PW2E-4266-??	5	66	42	\$1,351	\$1,471	\$2,479
HG-PW2E-4272-??	5	72	42	\$1,351	\$1,471	\$2,479
HG-PW2E-4278-??	5	78	42	\$1,352	\$1,472	\$2,479

- 3/4" thick construction in TFL or HPL with Deskmakers standard 2MM PVC edge banding. Contact Design & Quoting for Pricing on non-standard HPLs.
- Ships assembled. Two L-brackets included to aid with install.
- Planter Wall must be secured to other, more substantial furniture, site walls or the floor. This item is not self-supporting.
- Electrical version is un-handed, unit can be installed with door facing either direction. Included (2x) 2.5" black grommet covers.

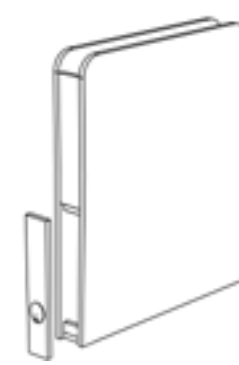
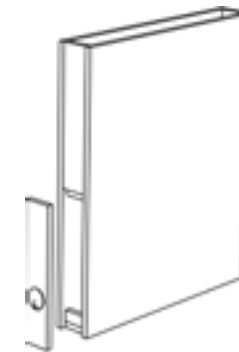
48" planter walls



Model Numbers	Width	Length	Height	T1	T2	H1
rectangular style						
HG-PWL1-4830-??	5	30	48	\$905	\$996	\$1,667
HG-PWL1-4836-??	5	36	48	\$905	\$996	\$1,667
HG-PWL1-4842-??	5	42	48	\$905	\$996	\$1,667
HG-PWL1-4848-??	5	48	48	\$910	\$1,001	\$1,672
HG-PWL1-4854-??	5	54	48	\$1,119	\$1,231	\$2,239
HG-PWL1-4860-??	5	60	48	\$1,130	\$1,243	\$2,251
HG-PWL1-4866-??	5	66	48	\$1,132	\$1,245	\$2,253
HG-PWL1-4872-??	5	72	48	\$1,136	\$1,250	\$2,257
HG-PWL1-4878-??	5	78	48	\$1,136	\$1,250	\$2,258
curved corner style						
HG-PWL2-4830-??	5	30	48	\$1,201	\$1,321	\$2,329
HG-PWL2-4836-??	5	36	48	\$1,203	\$1,323	\$2,331
HG-PWL2-4842-??	5	42	48	\$1,203	\$1,323	\$2,331
HG-PWL2-4848-??	5	48	48	\$1,205	\$1,326	\$2,333
HG-PWL2-4854-??	5	54	48	\$1,210	\$1,331	\$2,339
HG-PWL2-4860-??	5	60	48	\$1,211	\$1,332	\$2,340
HG-PWL2-4866-??	5	66	48	\$1,215	\$1,337	\$2,345
HG-PWL2-4872-??	5	72	48	\$1,216	\$1,338	\$2,345
HG-PWL2-4878-??	5	78	48	\$1,219	\$1,341	\$2,348

- 3/4" thick construction in TFL or HPL with Deskmakers standard 2MM PVC edge banding. Contact Design & Quoting for Pricing on non-standard HPLs.
- Ships assembled. Two L-brackets included to aid with install.
- Planter Wall must be secured to other, more substantial furniture, site walls or the floor. This item is not self-supporting.

48" planter walls with electrical panel



Model Numbers	Width	Length	Height	T1	T2	H1
rectangular style						
HG-PW1E-4830-??	5	30	48	\$1,059	\$1,150	\$1,821
HG-PW1E-4836-??	5	36	48	\$1,059	\$1,150	\$1,821
HG-PW1E-4842-??	5	42	48	\$1,059	\$1,150	\$1,821
HG-PW1E-4848-??	5	48	48	\$1,064	\$1,155	\$1,826
HG-PW1E-4854-??	5	54	48	\$1,273	\$1,385	\$2,393
HG-PW1E-4860-??	5	60	48	\$1,284	\$1,397	\$2,405
HG-PW1E-4866-??	5	66	48	\$1,286	\$1,399	\$2,407
HG-PW1E-4872-??	5	72	48	\$1,290	\$1,404	\$2,411
HG-PW1E-4878-??	5	78	48	\$1,290	\$1,404	\$2,412
curved corner style						
HG-PW2E-4830-??	5	30	48	\$1,355	\$1,475	\$2,483
HG-PW2E-4836-??	5	36	48	\$1,357	\$1,477	\$2,485
HG-PW2E-4842-??	5	42	48	\$1,357	\$1,477	\$2,485
HG-PW2E-4848-??	5	48	48	\$1,359	\$1,480	\$2,487
HG-PW2E-4854-??	5	54	48	\$1,364	\$1,485	\$2,493
HG-PW2E-4860-??	5	60	48	\$1,365	\$1,486	\$2,494
HG-PW2E-4866-??	5	66	48	\$1,369	\$1,491	\$2,499
HG-PW2E-4872-??	5	72	48	\$1,370	\$1,492	\$2,499
HG-PW2E-4878-??	5	78	48	\$1,373	\$1,495	\$2,502

- 3/4" thick construction in TFL or HPL with Deskmakers standard 2MM PVC edge banding. Contact Design & Quoting for Pricing on non-standard HPLs.
- Ships assembled. Two L-brackets included to aid with install.
- Planter Wall must be secured to other, more substantial furniture, site walls or the floor. This item is not self-supporting.
- Electrical version is un-handed, unit can be installed with door facing either direction. Included (2x) 2.5" black grommet covers.

double sided tape



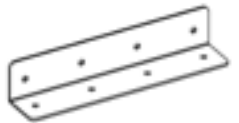
Model Numbers	Length	Width	Thickness	Price
RE-TAPE-1	39"	1-3/16"	2mm	\$54
RE-TAPE-2	197"	13/16"	2mm	\$106

- Miracle Tape is a double sided tape made from nanotechnology gel to create a secure bond.
- Will not leave a residue or damage laminate surfaces. Reusable by rinsing with water
- Price is for a quantity of one roll/segment, cut to size in field.
- Miracle Tape can be used to hold planter boxes in place on a smooth surface. Not appropriate for use with planter walls.

brackets



Model Numbers	Length	Width	Price
AC-BRKT-FLAT	3 1/2	6 1/2	\$27



AC-BRKT-L	10	2	\$33
-----------	----	---	------

- Hedge Planter Walls must be secured to existing furniture or site walls. Two L-Brackets included with every planter wall.
- Additional brackets may be required depending on desired installation configuration.

planter design inspiration

There are many options to style the Hedge planter series such as faux plants, moss, rocks, or decorative vase filler. Please remember that live plants or water cannot be used with Hedge without violating the product warranty. Using floral foam or another base layer to fill the volume of planter can help to secure pick-style plants or lessen the weight or amount materials required when working with small items like rocks. Please see below for some sample arrangements.



Hedge Plants will fit faux plants in 3 1/2" dia. pots or pick-style plants with filler material for support.



This is an example of the floral foam filler layer used to support the succulent arrangement shown below.



Rocks, moss, dried bark and other small materials can be used to cover a filler layer like on the left, hide the gaps between plants or make an interesting low-profile arrangement on their own.

Faux wheat grass in 3 1/2" dia pots



Floral foam base layer, faux fern pick-plants, dried moss



Floral foam base layer, faux succulent pick-plants, white pebbles



**Please see website for current Terms and Conditions:
www.deskmakers.com**

**Please see website for current Warranty:
www.deskmakers.com**

Locations

Los Angeles

DeskMakers Headquarters
6525 Flotilla Street
Commerce, CA 90040

Dallas

Dallas Factory
1110 Inwood Road Suite 101
Dallas, TX 75247

DeskMakers

Phone: 323.264.2260 | Fax: 323.725.6960
www.deskmakers.com