



# hedge

PRICE & SPECIFICATION GUIDE

planter boxes & walls

Version: 12.01.24  
*prices effective February 1, 2025*

The logo for DeskMakers, featuring the word "DeskMakers" in a sans-serif font. The "M" is stylized with a horizontal line above it. The "a" is lowercase and has a dot. The "s" is lowercase. The "k" is lowercase. The "e" is lowercase. The "r" is lowercase. The "s" is lowercase. The "M" is uppercase. The "a" is lowercase. The "k" is lowercase. The "e" is lowercase. The "r" is lowercase. The "s" is lowercase.

## revisions

---

08/14/24	Product Launch
08/30/24	Updated finishes
12/01/25	Updated pricing

## table of contents

---

Laminates	4-5
Product Details	6-9
Planter Boxes	10-11
Planter Walls	12-17
Accessories	18
Inspiration	19
Terms & Conditions	20
Warranty	21

# laminates

---

## thermofuse laminate (TFL)

---

Pricing shown in this price list applies only to TFL finishes currently included in the DeskMakers finish collection. For the most accurate finish list please see [deskmakers.com](https://www.deskmakers.com).

## high pressure laminate (HPL)

---

Pricing shown in this price list applies only to non-premium HPLs as follows:

- Wilsonart: Solids, Woodgrains, and Abstracts in Matte (-60) finish,
- Formica: Color Portfolio, Woodgrains, and Patterns in Matte (-58) finish
- Pionite: Solids, Woodgrains, and Abstracts in Suede (N) finish
- Arborite: Solids, Woodgrains, Textures and Abstracts in Matte (CA) finish
- Nevamar: Solids, Woodgrains, Stones and Abstracts in ARP (-T) finish

A minimum charge of \$546 net per HPL color will be applied to each order.

Call customer service for pricing for all other HPLs.

Additional lead times required for HPL orders depending on material availability and order complexity.

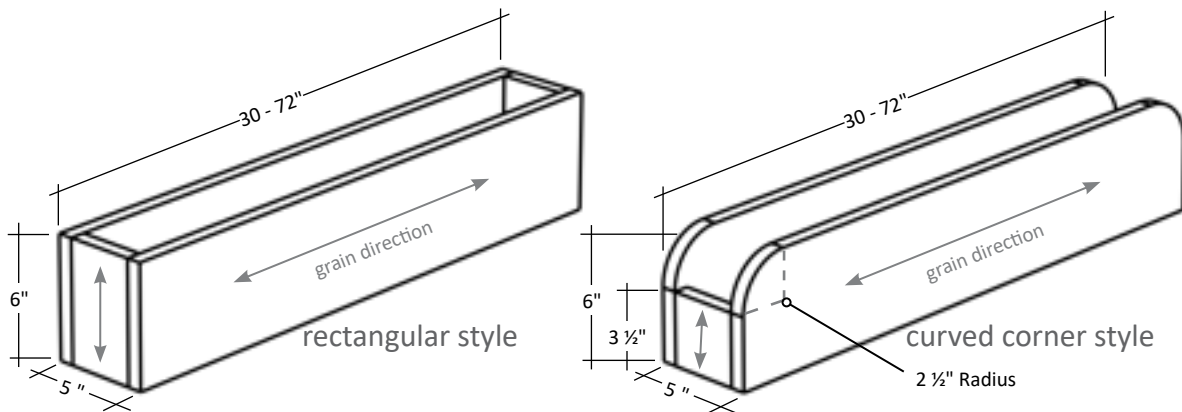
HPL is always available with DeskMakers standard 2MM edgebanding. Special order matching PVC 2MM edgebanding may be available for orders \$25,000 List or larger, call customer service for pricing.

# hedge 6" planter boxes



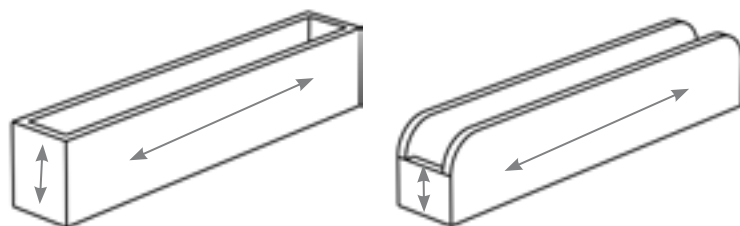
## details

- All Hedge Planter Boxes are 5" wide. The 6" tall units have an interior volume of 3 1/2" W x 5 1/4" H x (L-1 1/2").
- Hedge Planter Boxes are available in 6" increments from 30" to 72". Please contact Design and Quoting Department to inquire about custom sizing. Minimum quantities may be required.
- All 3/4" thick panels in TFL or HPL with Deskmakers standard 2MM PVC edge banding.
- Available in two styles - rectangular, and curved corner. The curved cornered planter has a 2 1/2" radius curve on the top edges.
- Hedge Planter Boxes are not sealed and are intended for dry usage - faux plants and other decor. See page 19 for examples.
- Using live plants and/or water will violate the product warranty.



## hpl version

The HPL version of the planter features the same construction, but with fewer visible seams.

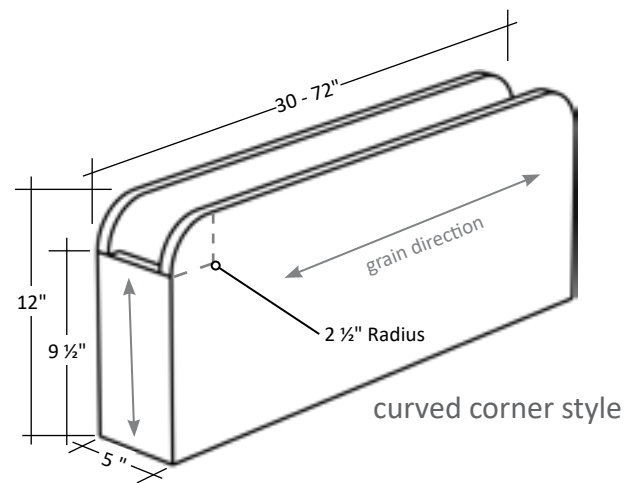
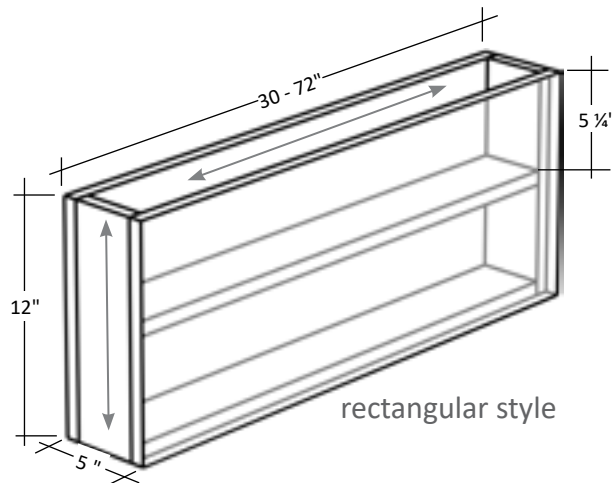


## hedge 12" planter boxes



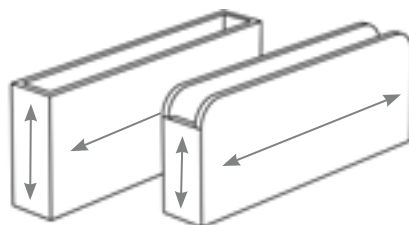
### details

- All Hedge Planter Boxes are 5" wide. The 12" tall units maintain an interior volume of 3 1/2" W x 5 1/4" H x (L-1 1/2").
- Hedge Planter Boxes are available in 6" increments from 30" to 72". Please contact Design and Quoting Department to inquire about custom sizing. Minimum quantities may be required.
- All 3/4" thick panels in TFL or HPL with Deskmakers standard 2MM PVC edge banding.
- Available in two styles - rectangular, and curved corner. The curved cornered planter has a 2 1/2" radius curve on the top edges.
- Electrical option adds grommets on either side of the planter to allow cords to pass under the false bottom.
- Hedge Planter Boxes are not sealed and are intended for dry usage - faux plants and other decor. See page 19 for examples.
- Using live plants and/or water will violate the product warranty.



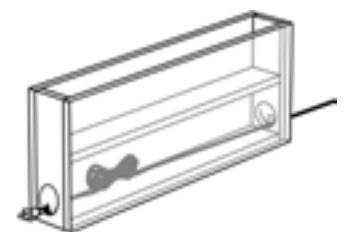
### hpl version

The HPL version of the planter features the same construction, but with fewer visible seams.



### electrical version

Grommets can allow the planter box to help hide electrical connections.

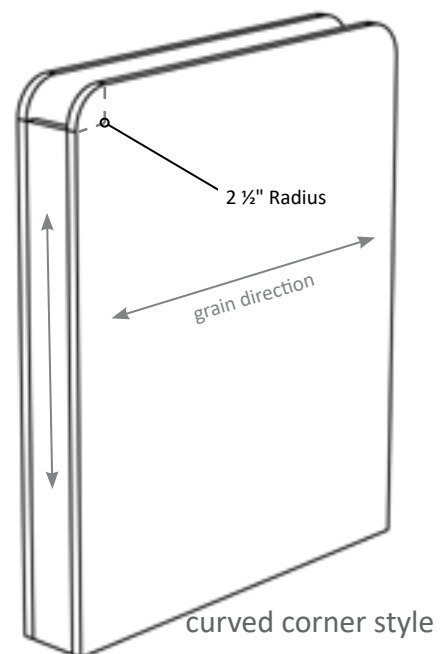
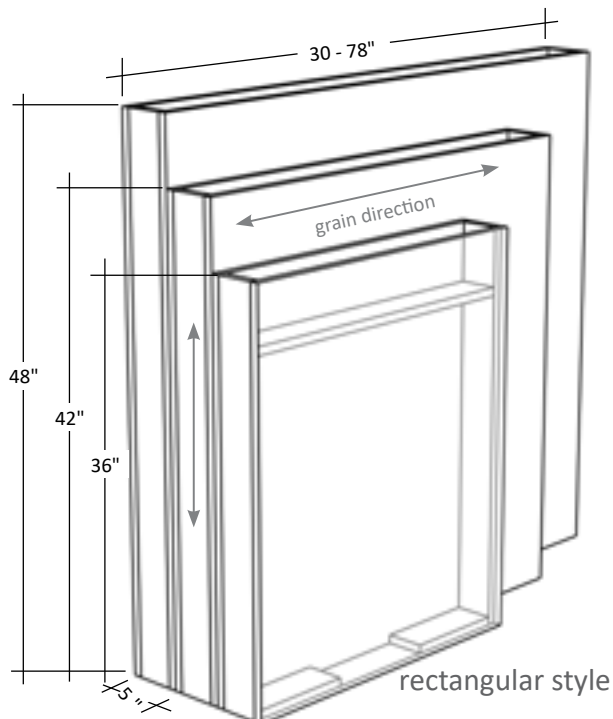


## hedge planter walls



### details

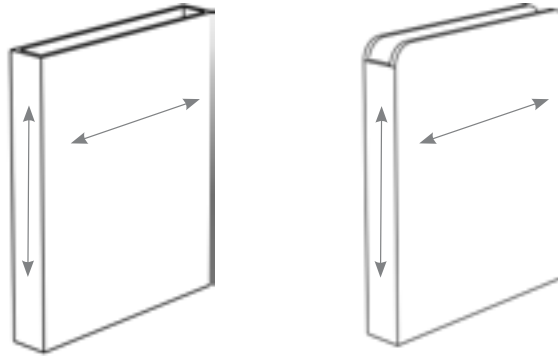
- All Hedge Planter Walls are 5" wide. Walls maintain an interior volume of 3 1/2" W x 5 1/4" H x (L-1 1/2") using a false bottom.
- Hedge Planter walls are available in 3 standard heights - 36", 42" and 48" and in 6" length increments from 30" to 78". These sizes co-ordinate with existing spine wall and transaction counter offerings. Please contact Design and Quoting Department to inquire about custom sizing. Minimum quantities may be required.
- All 3/4" thick panels in TFL or HPL with Deskmakers standard 2MM PVC edge banding.
- Available in two styles - rectangular, and curved corner. The curved cornered planter has a 2 1/2" radius curve on the top edges.
- Electrical option adds a removable access door and grommets to allow electrical components to be hidden within the wall.
- Hedge Planter Walls must be secured to other furniture, site walls, or floor. They are not self-supporting.
- Hedge Planters are not sealed and are intended for dry usage - faux plants and other decor. See page 19 for examples.
- Using live plants and/or water will violate the product warranty.





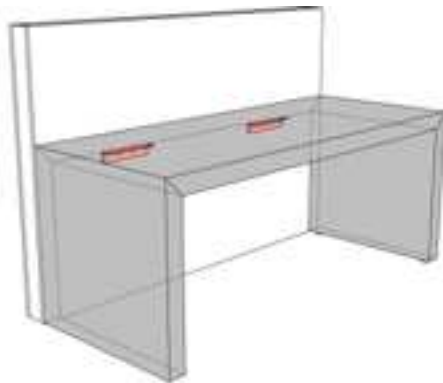
## hpl version

The HPL version of the planter features the same construction, but with fewer visible seams.



## installation

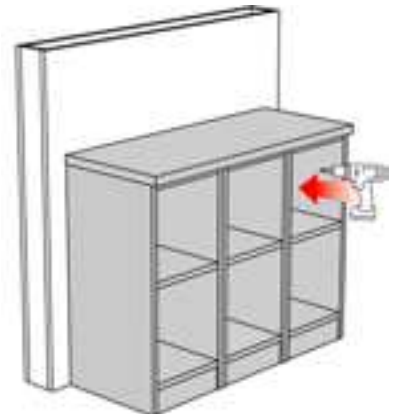
Hedge planter walls must be secured to site or existing furniture. These items are not freestanding.



All Hedge Planter Walls will ship with two large L-brackets to aid with install.



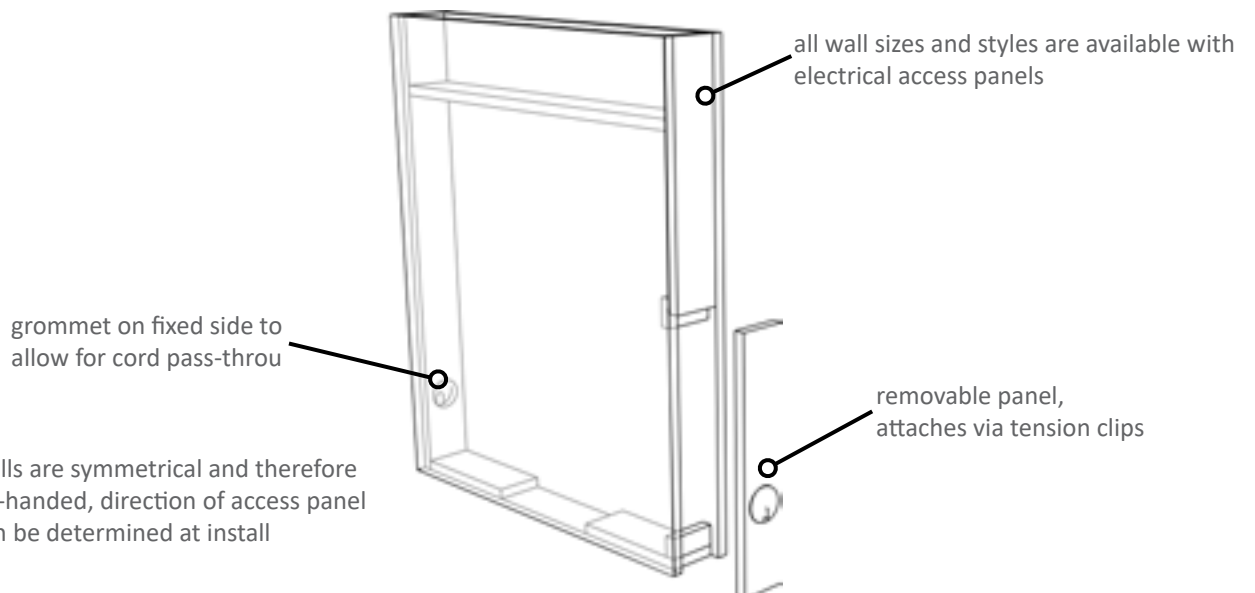
A 2x4 secured to the floor and fitted into the open bottom of the planter wall will steady it, but it still must be attached to a site wall.



In some applications, the planter wall can be fastened directly to supporting furniture with wood screws.

## electrical version

Grommets and access panels can allow the planter wall to hide electrical components in the interior cavity.



grommet on fixed side to allow for cord pass-thru

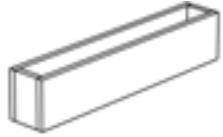
all wall sizes and styles are available with electrical access panels

removable panel, attaches via tension clips



walls are symmetrical and therefore un-handed, direction of access panel can be determined at install

## 6" planter boxes

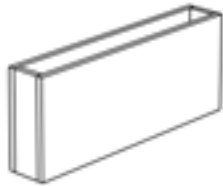


Model Numbers	Width	Length	Height	T1	T2	H1
<b>rectangular style</b>						
HG-PLN1-0630-??	5	30	6	\$531	\$584	\$938
HG-PLN1-0636-??	5	36	6	\$536	\$589	\$938
HG-PLN1-0642-??	5	42	6	\$540	\$594	\$946
HG-PLN1-0648-??	5	48	6	\$544	\$598	\$950
HG-PLN1-0654-??	5	54	6	\$548	\$603	\$956
HG-PLN1-0660-??	5	60	6	\$552	\$608	\$960
HG-PLN1-0666-??	5	66	6	\$555	\$611	\$964
HG-PLN1-0672-??	5	72	6	\$560	\$616	\$968
<b>curved corner style</b>						
HG-PLN2-0630-??	5	30	6	\$583	\$641	\$994
HG-PLN2-0636-??	5	36	6	\$587	\$646	\$999
HG-PLN2-0642-??	5	42	6	\$591	\$650	\$1,003
HG-PLN2-0648-??	5	48	6	\$595	\$655	\$1,007
HG-PLN2-0654-??	5	54	6	\$603	\$663	\$1,016
HG-PLN2-0660-??	5	60	6	\$607	\$668	\$1,021
HG-PLN2-0666-??	5	66	6	\$611	\$672	\$1,025
HG-PLN2-0672-??	5	72	6	\$615	\$677	\$1,029

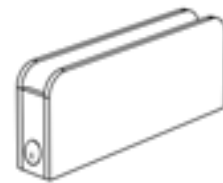
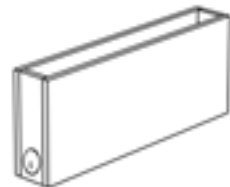
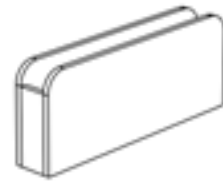


- 3/4" thick construction in TFL or HPL with Deskmakers standard 2MM PVC edge banding. Contact Design & Quoting for pricing on non-standard HPLs.
- Ships assembled.
- Planter can be temporarily secured to a surface using double-sided tape (see pg 18) or permanently using standard wood screws.  
Hedge Planter Boxes do not tip easily and may only need to be secured in high traffic areas or when placed near the edge of other furniture.

## 12" planter boxes

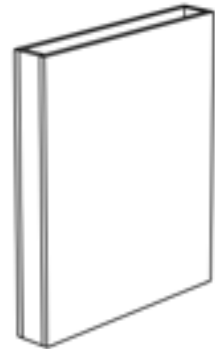


Model Numbers	Width	Length	Height	T1	T2	H1
<b>rectangular style</b>						
HG-PLN1-1230-??	5	30	12	\$561	\$617	\$969
HG-PLN1-1236-??	5	36	12	\$566	\$623	\$974
HG-PLN1-1242-??	5	42	12	\$571	\$628	\$981
HG-PLN1-1248-??	5	48	12	\$576	\$634	\$987
HG-PLN1-1254-??	5	54	12	\$582	\$640	\$992
HG-PLN1-1260-??	5	60	12	\$591	\$650	\$1,003
HG-PLN1-1266-??	5	66	12	\$596	\$656	\$1,009
HG-PLN1-1272-??	5	72	12	\$602	\$662	\$1,015
<b>curved corner style</b>						
HG-PLN2-1230-??	5	30	12	\$620	\$681	\$1,034
HG-PLN2-1236-??	5	36	12	\$614	\$676	\$1,041
HG-PLN2-1242-??	5	42	12	\$630	\$693	\$1,046
HG-PLN2-1248-??	5	48	12	\$636	\$700	\$1,052
HG-PLN2-1254-??	5	54	12	\$642	\$706	\$1,058
HG-PLN2-1260-??	5	60	12	\$654	\$720	\$1,073
HG-PLN2-1266-??	5	66	12	\$660	\$726	\$1,078
HG-PLN2-1272-??	5	72	12	\$666	\$732	\$1,085
<b>rectangular style - electrical version</b>						
HG-PL1E-1230-??	5	30	12	\$674	\$730	\$1,083
HG-PL1E-1236-??	5	36	12	\$679	\$736	\$1,088
HG-PL1E-1242-??	5	42	12	\$685	\$742	\$1,094
HG-PL1E-1248-??	5	48	12	\$690	\$747	\$1,100
HG-PL1E-1254-??	5	54	12	\$695	\$753	\$1,106
HG-PL1E-1260-??	5	60	12	\$705	\$764	\$1,116
HG-PL1E-1266-??	5	66	12	\$710	\$769	\$1,122
HG-PL1E-1272-??	5	72	12	\$715	\$775	\$1,129
<b>curved corner style - electrical version</b>						
HG-PL2E-1230-??	5	30	12	\$733	\$795	\$1,148
HG-PL2E-1236-??	5	36	12	\$728	\$789	\$1,154
HG-PL2E-1242-??	5	42	12	\$743	\$806	\$1,159
HG-PL2E-1248-??	5	48	12	\$750	\$813	\$1,166
HG-PL2E-1254-??	5	54	12	\$755	\$819	\$1,172
HG-PL2E-1260-??	5	60	12	\$768	\$833	\$1,187
HG-PL2E-1266-??	5	66	12	\$774	\$840	\$1,192
HG-PL2E-1272-??	5	72	12	\$779	\$846	\$1,198



- 3/4" thick construction in TFL or HPL with Deskmakers standard 2MM PVC edge banding. Contact Design & Quoting for pricing on non-standard HPLs.
- Ships assembled.
- Electrical version included (2x) black 2.5" round grommet covers.
- Planter can be temporarily secured to a surface using double-sided tape (see pg 18) or permanently using standard wood screws. Hedge Planter Boxes do not tip easily and may only need to be secured in high traffic areas or when placed near the edge of other furniture.

## 36" planter walls



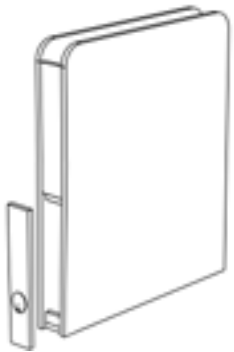
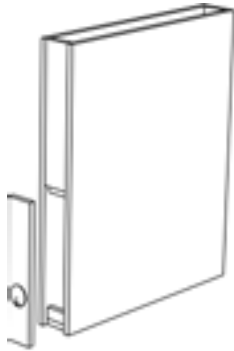
Model Numbers	Width	Length	Height	T1	T2	H1
<b>rectangular style</b>						
HG-PWL1-3630-??	5	30	36	\$920	\$1,012	\$1,717
HG-PWL1-3636-??	5	36	36	\$920	\$1,012	\$1,717
HG-PWL1-3642-??	5	42	36	\$920	\$1,012	\$1,717
HG-PWL1-3648-??	5	48	36	\$925	\$1,018	\$1,723
HG-PWL1-3654-??	5	54	36	\$925	\$1,018	\$1,723
HG-PWL1-3660-??	5	60	36	\$930	\$1,023	\$1,728
HG-PWL1-3666-??	5	66	36	\$930	\$1,023	\$1,728
HG-PWL1-3672-??	5	72	36	\$933	\$1,027	\$1,733
HG-PWL1-3678-??	5	78	36	\$933	\$1,027	\$1,733
<b>curved corner style</b>						
HG-PWL2-3630-??	5	30	36	\$1,194	\$1,313	\$2,372
HG-PWL2-3636-??	5	36	36	\$1,194	\$1,313	\$2,372
HG-PWL2-3642-??	5	42	36	\$1,198	\$1,318	\$2,375
HG-PWL2-3648-??	5	48	36	\$1,199	\$1,319	\$2,376
HG-PWL2-3654-??	5	54	36	\$1,202	\$1,322	\$2,380
HG-PWL2-3660-??	5	60	36	\$1,204	\$1,325	\$2,382
HG-PWL2-3666-??	5	66	36	\$1,208	\$1,328	\$2,387
HG-PWL2-3672-??	5	72	36	\$1,209	\$1,329	\$2,387
HG-PWL2-3678-??	5	78	36	\$1,211	\$1,332	\$2,391

- 3/4" thick construction in TFL or HPL with Deskmakers standard 2MM PVC edge banding. Contact Design & Quoting for Pricing on non-standard HPLs.

- Ships assembled. Two L-brackets included to aid with install.

- Planter Wall must be secured to other, more substantial furniture, site walls or the floor. This item is not self-supporting.

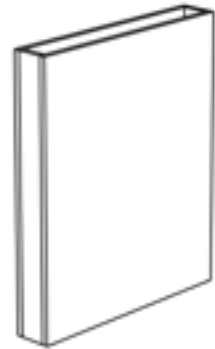
## 36" planter walls with electrical panel



Model Numbers	Width	Length	Height	T1	T2	H1
<b>rectangular style</b>						
HG-PW1E-3630-??	5	30	36	\$1,077	\$1,168	\$1,873
HG-PW1E-3636-??	5	36	36	\$1,077	\$1,168	\$1,873
HG-PW1E-3642-??	5	42	36	\$1,077	\$1,168	\$1,873
HG-PW1E-3648-??	5	48	36	\$1,082	\$1,174	\$1,880
HG-PW1E-3654-??	5	54	36	\$1,082	\$1,174	\$1,880
HG-PW1E-3660-??	5	60	36	\$1,087	\$1,180	\$1,885
HG-PW1E-3666-??	5	66	36	\$1,087	\$1,180	\$1,885
HG-PW1E-3672-??	5	72	36	\$1,090	\$1,183	\$1,889
HG-PW1E-3678-??	5	78	36	\$1,090	\$1,183	\$1,889
<b>curved corner style</b>						
HG-PW2E-3630-??	5	30	36	\$1,351	\$1,470	\$2,529
HG-PW2E-3636-??	5	36	36	\$1,351	\$1,470	\$2,529
HG-PW2E-3642-??	5	42	36	\$1,355	\$1,475	\$2,532
HG-PW2E-3648-??	5	48	36	\$1,356	\$1,476	\$2,533
HG-PW2E-3654-??	5	54	36	\$1,359	\$1,479	\$2,537
HG-PW2E-3660-??	5	60	36	\$1,361	\$1,481	\$2,539
HG-PW2E-3666-??	5	66	36	\$1,364	\$1,485	\$2,543
HG-PW2E-3672-??	5	72	36	\$1,365	\$1,486	\$2,543
HG-PW2E-3678-??	5	78	36	\$1,367	\$1,488	\$2,548

- 3/4" thick construction in TFL or HPL with Deskmakers standard 2MM PVC edge banding. Contact Design & Quoting for Pricing on non-standard HPLs.
- Ships assembled. Two L-brackets included to aid with install.
- Planter Wall must be secured to other, more substantial furniture, site walls or the floor. This item is not self-supporting.
- Electrical version is un-handed, unit can be installed with door facing either direction. Included (2x) 2.5" black grommet covers.

## 42" planter walls



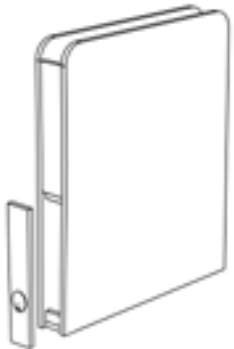
Model Numbers	Width	Length	Height	T1	T2	H1
<b>rectangular style</b>						
HG-PWL1-4230-??	5	30	42	\$935	\$1,028	\$1,733
HG-PWL1-4236-??	5	36	42	\$936	\$1,029	\$1,735
HG-PWL1-4242-??	5	42	42	\$939	\$1,033	\$1,738
HG-PWL1-4248-??	5	48	42	\$939	\$1,033	\$1,738
HG-PWL1-4254-??	5	54	42	\$940	\$1,034	\$1,739
HG-PWL1-4260-??	5	60	42	\$941	\$1,035	\$1,741
HG-PWL1-4266-??	5	66	42	\$944	\$1,038	\$1,744
HG-PWL1-4272-??	5	72	42	\$944	\$1,038	\$1,744
HG-PWL1-4278-??	5	78	42	\$944	\$1,038	\$1,744
<b>curved corner style</b>						
HG-PWL2-4230-??	5	30	42	\$1,213	\$1,334	\$2,392
HG-PWL2-4236-??	5	36	42	\$1,214	\$1,335	\$2,393
HG-PWL2-4242-??	5	42	42	\$1,217	\$1,339	\$2,396
HG-PWL2-4248-??	5	48	42	\$1,239	\$1,363	\$2,420
HG-PWL2-4254-??	5	54	42	\$1,252	\$1,377	\$2,435
HG-PWL2-4260-??	5	60	42	\$1,252	\$1,377	\$2,435
HG-PWL2-4266-??	5	66	42	\$1,257	\$1,383	\$2,441
HG-PWL2-4272-??	5	72	42	\$1,257	\$1,383	\$2,441
HG-PWL2-4278-??	5	78	42	\$1,258	\$1,384	\$2,441

- 3/4" thick construction in TFL or HPL with Deskmakers standard 2MM PVC edge banding. Contact Design & Quoting for Pricing on non-standard HPLs.

- Ships assembled. Two L-brackets included to aid with install.

- Planter Wall must be secured to other, more substantial furniture, site walls or the floor. This item is not self-supporting.

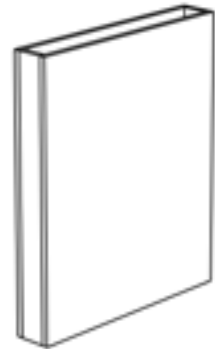
## 42" planter walls with electrical panel



Model Numbers	Width	Length	Height	T1	T2	H1
<b>rectangular style</b>						
HG-PW1E-4230-??	5	30	42	\$1,091	\$1,185	\$1,889
HG-PW1E-4236-??	5	36	42	\$1,092	\$1,186	\$1,891
HG-PW1E-4242-??	5	42	42	\$1,095	\$1,189	\$1,894
HG-PW1E-4248-??	5	48	42	\$1,095	\$1,189	\$1,894
HG-PW1E-4254-??	5	54	42	\$1,096	\$1,190	\$1,896
HG-PW1E-4260-??	5	60	42	\$1,098	\$1,192	\$1,898
HG-PW1E-4266-??	5	66	42	\$1,101	\$1,195	\$1,901
HG-PW1E-4272-??	5	72	42	\$1,101	\$1,195	\$1,901
HG-PW1E-4278-??	5	78	42	\$1,101	\$1,195	\$1,901
<b>curved corner style</b>						
HG-PW2E-4230-??	5	30	42	\$1,369	\$1,491	\$2,549
HG-PW2E-4236-??	5	36	42	\$1,371	\$1,492	\$2,550
HG-PW2E-4242-??	5	42	42	\$1,374	\$1,495	\$2,553
HG-PW2E-4248-??	5	48	42	\$1,396	\$1,520	\$2,577
HG-PW2E-4254-??	5	54	42	\$1,408	\$1,533	\$2,592
HG-PW2E-4260-??	5	60	42	\$1,408	\$1,533	\$2,592
HG-PW2E-4266-??	5	66	42	\$1,414	\$1,539	\$2,598
HG-PW2E-4272-??	5	72	42	\$1,414	\$1,539	\$2,598
HG-PW2E-4278-??	5	78	42	\$1,415	\$1,540	\$2,598

- 3/4" thick construction in TFL or HPL with Deskmakers standard 2MM PVC edge banding. Contact Design & Quoting for Pricing on non-standard HPLs.
- Ships assembled. Two L-brackets included to aid with install.
- Planter Wall must be secured to other, more substantial furniture, site walls or the floor. This item is not self-supporting.
- Electrical version is un-handed, unit can be installed with door facing either direction. Included (2x) 2.5" black grommet covers.

## 48" planter walls

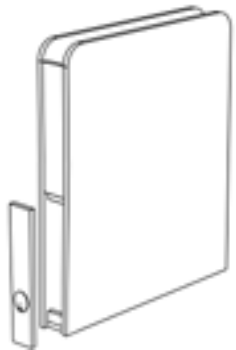


Model Numbers	Width	Length	Height	T1	T2	H1
<b>rectangular style</b>						
HG-PWL1-4830-??	5	30	48	\$950	\$1,045	\$1,750
HG-PWL1-4836-??	5	36	48	\$950	\$1,045	\$1,750
HG-PWL1-4842-??	5	42	48	\$950	\$1,045	\$1,750
HG-PWL1-4848-??	5	48	48	\$956	\$1,051	\$1,756
HG-PWL1-4854-??	5	54	48	\$1,175	\$1,292	\$2,351
HG-PWL1-4860-??	5	60	48	\$1,187	\$1,305	\$2,364
HG-PWL1-4866-??	5	66	48	\$1,189	\$1,307	\$2,366
HG-PWL1-4872-??	5	72	48	\$1,193	\$1,312	\$2,370
HG-PWL1-4878-??	5	78	48	\$1,193	\$1,312	\$2,371
<b>curved corner style</b>						
HG-PWL2-4830-??	5	30	48	\$1,261	\$1,387	\$2,445
HG-PWL2-4836-??	5	36	48	\$1,263	\$1,389	\$2,448
HG-PWL2-4842-??	5	42	48	\$1,263	\$1,389	\$2,448
HG-PWL2-4848-??	5	48	48	\$1,265	\$1,392	\$2,450
HG-PWL2-4854-??	5	54	48	\$1,271	\$1,398	\$2,456
HG-PWL2-4860-??	5	60	48	\$1,272	\$1,399	\$2,457
HG-PWL2-4866-??	5	66	48	\$1,276	\$1,403	\$2,462
HG-PWL2-4872-??	5	72	48	\$1,277	\$1,404	\$2,462
HG-PWL2-4878-??	5	78	48	\$1,280	\$1,408	\$2,465

- 3/4" thick construction in TFL or HPL with Deskmakers standard 2MM PVC edge banding. Contact Design & Quoting for Pricing on non-standard HPLs.
- Ships assembled. Two L-brackets included to aid with install.
- Planter Wall must be secured to other, more substantial furniture, site walls or the floor. This item is not self-supporting.



## 48" planter walls with electrical panel



Model Numbers	Width	Length	Height	T1	T2	H1
<b>rectangular style</b>						
HG-PW1E-4830-??	5	30	48	\$1,107	\$1,202	\$1,907
HG-PW1E-4836-??	5	36	48	\$1,107	\$1,202	\$1,907
HG-PW1E-4842-??	5	42	48	\$1,107	\$1,202	\$1,907
HG-PW1E-4848-??	5	48	48	\$1,112	\$1,208	\$1,912
HG-PW1E-4854-??	5	54	48	\$1,332	\$1,449	\$2,508
HG-PW1E-4860-??	5	60	48	\$1,343	\$1,462	\$2,520
HG-PW1E-4866-??	5	66	48	\$1,345	\$1,464	\$2,522
HG-PW1E-4872-??	5	72	48	\$1,350	\$1,469	\$2,527
HG-PW1E-4878-??	5	78	48	\$1,350	\$1,469	\$2,528
<b>curved corner style</b>						
HG-PW2E-4830-??	5	30	48	\$1,418	\$1,544	\$2,602
HG-PW2E-4836-??	5	36	48	\$1,420	\$1,546	\$2,604
HG-PW2E-4842-??	5	42	48	\$1,420	\$1,546	\$2,604
HG-PW2E-4848-??	5	48	48	\$1,422	\$1,548	\$2,606
HG-PW2E-4854-??	5	54	48	\$1,427	\$1,554	\$2,613
HG-PW2E-4860-??	5	60	48	\$1,428	\$1,555	\$2,614
HG-PW2E-4866-??	5	66	48	\$1,432	\$1,560	\$2,619
HG-PW2E-4872-??	5	72	48	\$1,434	\$1,561	\$2,619
HG-PW2E-4878-??	5	78	48	\$1,437	\$1,565	\$2,622

- 3/4" thick construction in TFL or HPL with Deskmakers standard 2MM PVC edge banding. Contact Design & Quoting for Pricing on non-standard HPLs.
- Ships assembled. Two L-brackets included to aid with install.
- Planter Wall must be secured to other, more substantial furniture, site walls or the floor. This item is not self-supporting.
- Electrical version is un-handed, unit can be installed with door facing either direction. Included (2x) 2.5" black grommet covers.

double sided tape



Model Numbers	Length	Width	Thickness	Price
RE-TAPE-1	39"	1-3/16"	2mm	\$56
RE-TAPE-2	197"	13/16"	2mm	\$112

- Miracle Tape is a double sided tape made from nanotechnology gel to create a secure bond.
- Will not leave a residue or damage laminate surfaces. Reusable by rinsing with water
- Price is for a quantity of one roll/segment, cut to size in field.
- Miracle Tape can be used to hold planter boxes in place on a smooth surface. Not appropriate for use with planter walls.

brackets



Model Numbers	Length	Width	Price
AC-BRKT-FLAT	3 1/2	6 1/2	\$28
AC-BRKT-L	10	2	\$34

- Hedge Planter Walls must be secured to existing furniture or site walls. Two L-Brackets included with every planter wall.
- Additional brackets may be required depending on desired installation configuration.

## planter design inspiration

There are many options to style the Hedge planter series such as faux plants, moss, rocks, or decorative vase filler. Please remember that live plants or water cannot be used with Hedge without violating the product warranty. Using floral foam or another base layer to fill the volume of planter can help to secure pick-style plants or lessen the weight or amount materials required when working with small items like rocks. Please see below for some sample arrangements.



Hedge Plants will fit faux plants in 3 1/2" dia. pots or pick-style plants with filler material for support.



This is an example of the floral foam filler layer used to support the succulent arrangement shown below.



Rocks, moss, dried bark and other small materials can be used to cover a filler layer like on the left, hide the gaps between plants or make an interesting low-profile arrangement on their own.

Faux wheat grass in 3 1/2" dia pots



Floral foam base layer, faux fern pick-plants, dried moss

Floral foam base layer, faux succulent pick-plants, white pebbles



**Please see website for current Terms and Conditions:  
[www.deskmakers.com](http://www.deskmakers.com)**

**Please see website for current Warranty:  
[www.deskmakers.com](http://www.deskmakers.com)**

## Locations

### Los Angeles

DeskMakers Headquarters  
6525 Flotilla Street  
Commerce, CA 90040

### Dallas

Dallas Factory  
1110 Inwood Road Suite 101  
Dallas, TX 75247

---

# DeskMakers

Phone: 323.264.2260 | Fax: 323.725.6960  
[www.deskmakers.com](http://www.deskmakers.com)