

NOMAD 10 & 12

Table and Presentation Board

scale 1:1

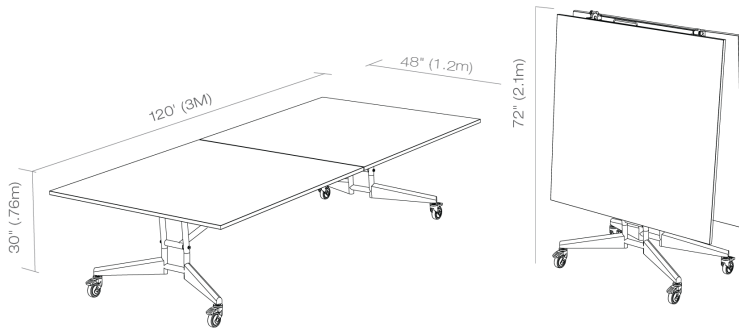


NOMAD 10 & 12

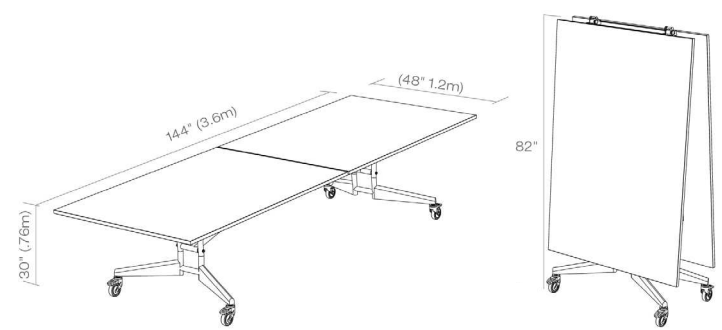
Table and Presentation Board

scale^{1:1}

NOMAD 10' (3m) Dimensions



NOMAD 12' (3.6m) Dimensions



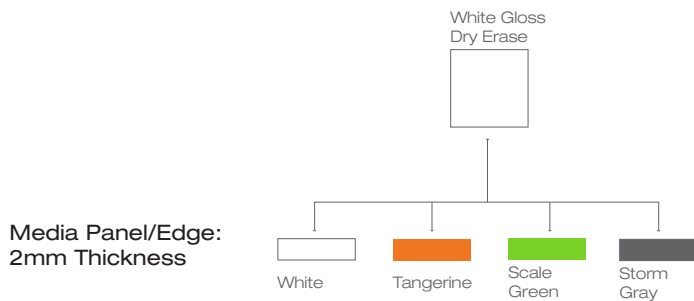
Features

Featuring a high-quality laminate top that doubles as a dry erase marker board, the NOMAD Folding Conference Table integrates space-saving features with design flexibility. A multi-use conference table and mobile marker board in one, NOMAD is your new office go-to. Designed to move with you, NOMAD quickly transitions from meeting destination to mobile presentation board. Four locking casters make mobility a breeze while built-in grommets keep messy cords out of sight.

- Modern yet subtle design accommodates casual and professional environments alike.
- Durable high pressure laminate (HPL) work surface with tough 2mm PVC edge banding for long lasting quality and protection against bumps and dents.
- Built-to-last powder coated steel legs and folding frame on four lockable casters.
- Folds for storing and doubles as a presentation marker board.
- Designed to easily fit through narrow doorways and elevators.
- Offered in 10' and 12' table lengths with 48" widths.
- Available in White Gloss Dry Erase Finish with four edge color options: White, Scale Green, Storm Gray or Tangerine.
- Offered with or without surface mounted power units.
- Designed by David Winston. Made in the USA.

Finish Options

Table Top: Premium Thermofuse Laminate (TFL)



Electrical

Surface Mounted Power Units

Dual 4 Power Outlets with Starter Cable and 72" Wall Plug

