



parsons tables

PRICE & SPECIFICATION GUIDE

radcliffe

albright

chapala

haverford

Version: 03.15.24
prices effective April 1, 2024

The logo for DeskMakers, featuring the word "Desk" in a standard sans-serif font and "Makers" in a bold, sans-serif font, with a horizontal orange line above the "Makers" portion.

revisions

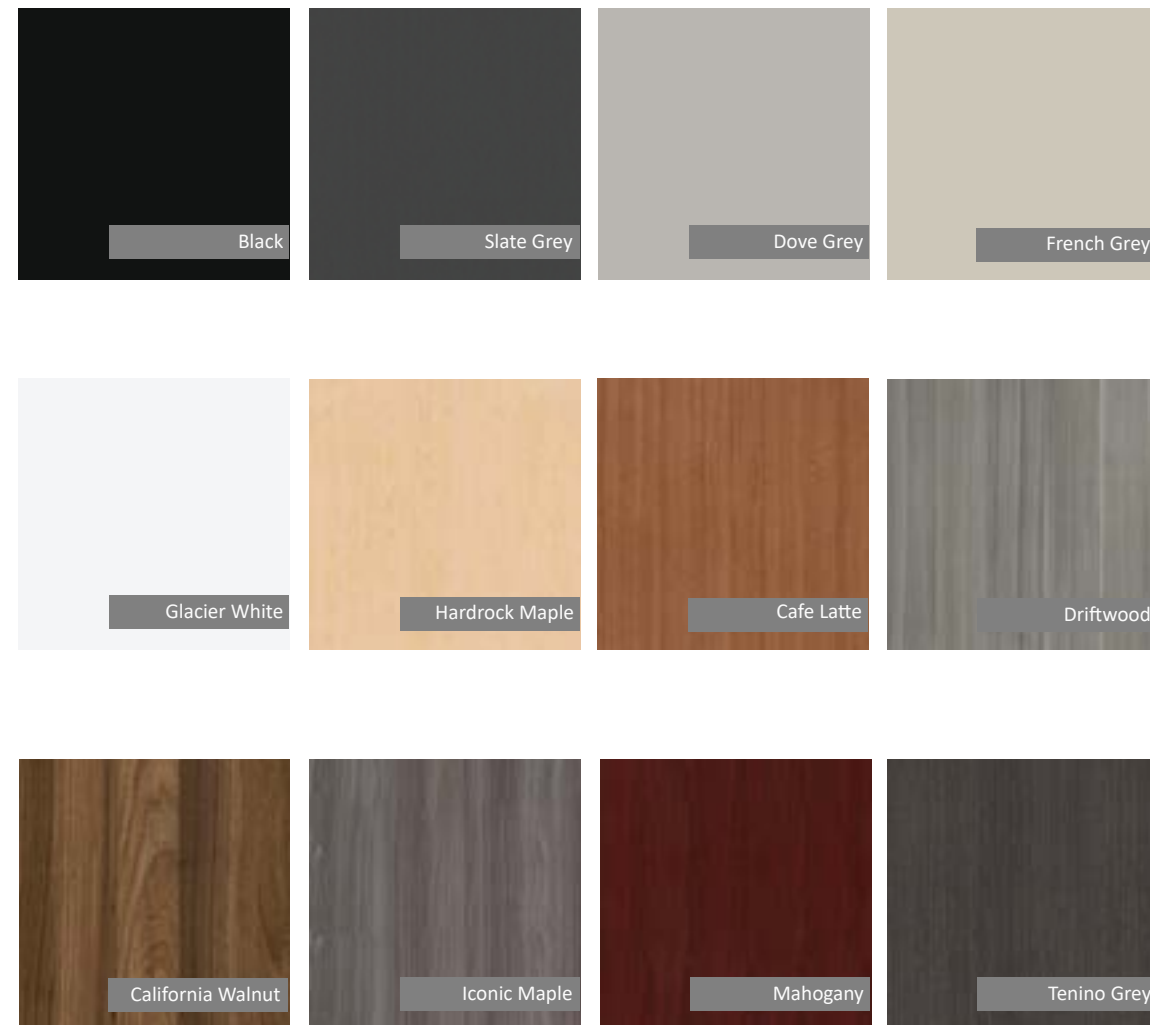
10/24/19	Updated layout and finishes
01/01/21	Updated pricing and finishes
09/01/21	Updated finishes
12/20/21	Updated pricing and finishes
03/31/22	Updated pricing, added counter, caster & ADA options
06/06/22	Updated Radcliffe desk height pricing
08/18/22	Updated Albright TFL pricing, TFL sizes, added surcharge note
12/01/22	Updated pricing, added 2-piece option
10/18/23	Updated finishes
03/15/24	Updated pricing

table of contents

Laminates	4-5
Product Details	6-15
Radcliffe Desk Height Tables	16-17
Radcliffe Bar Height Tables	18-19
Albright Desk Height Tables	20-21
Albright Bar Height Tables	22-23
Chapala Desk Height Tables	24-25
Chapala Bar Height Tables	26-27
Haverford Desk Height Tables	28-29
Haverford Bar Height Tables	30-31
Terms and Conditions	32
Warranty	33

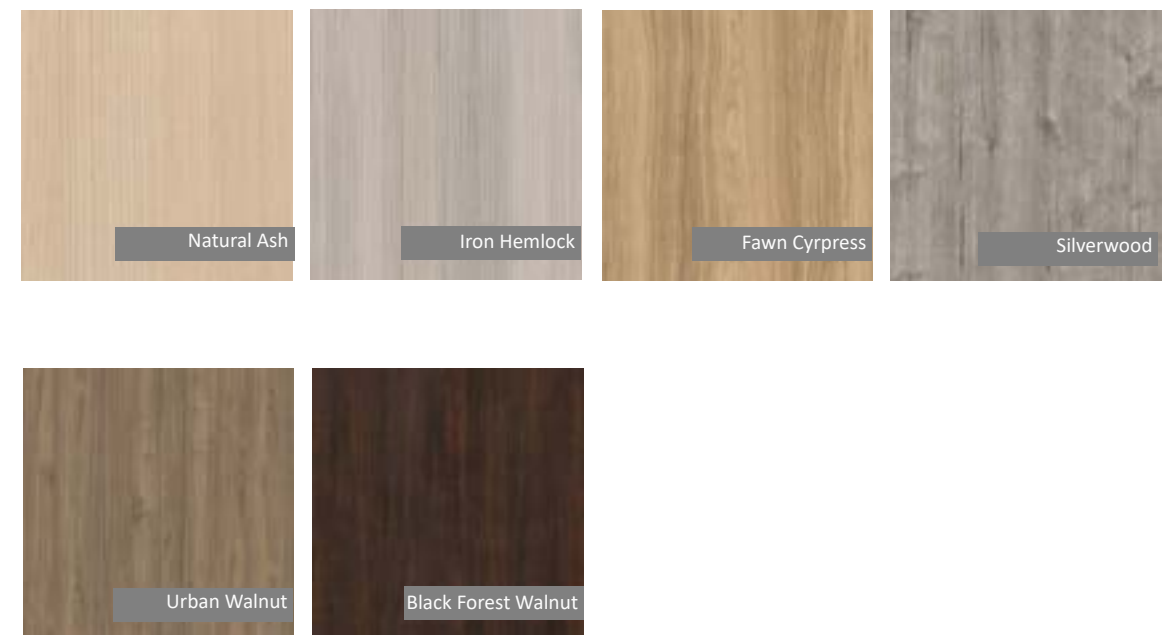
laminate finishes

standard thermofuse laminate (TFL)



Matching 2MM PVC edgebanding is available for all Standard TFL finishes shown here. For HPL match information please visit deskmakers.com/resources/materials

premium thermofuse laminate (TFL)



Premium TFLs require a 10% upcharge. Add item code OP-TTFL-1. Matching 2MM PVC edgebanding is available for all Premium TFL finishes shown here. For HPL match information please visit deskmakers.com/resources/materials

high pressure laminate (HPL)

- Pricing shown in this price list applies only to non-premium HPLs as follows:
- Wilsonart: Solids, Woodgrains, and Abstracts in Matte (-60) finish,
 - Formica: Color Portfolio, Woodgrains, and Patterns in Matte (-58) finish
 - Pionite: Solids, Woodgrains, and Abstracts in Suede (N) finish
 - Arborite: Solids, Woodgrains, Textures and Abstracts in Matte (CA) finish
 - Nevamar: Solids, Woodgrains, Stones and Abstracts in ARP (-T) finish

A minimum charge of \$520 net per HPL color will be applied to each order.

Call customer service for pricing for all other HPLs.

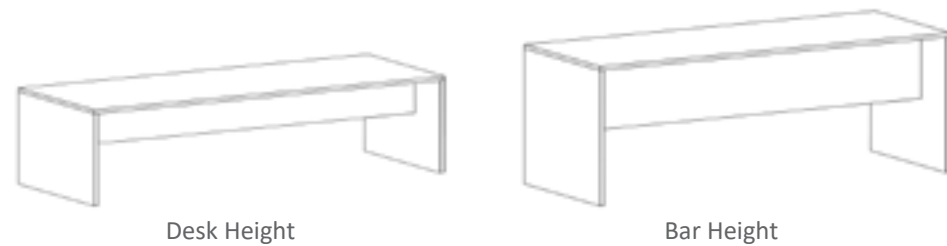
Additional lead times required for HPL orders depending on material availability and order complexity. HPL is always available with DeskMakers standard 2MM edgebanding. Special order matching PVC 2MM edgebanding may be available for orders \$25,000 List or larger, call customer service for pricing.

radcliffe

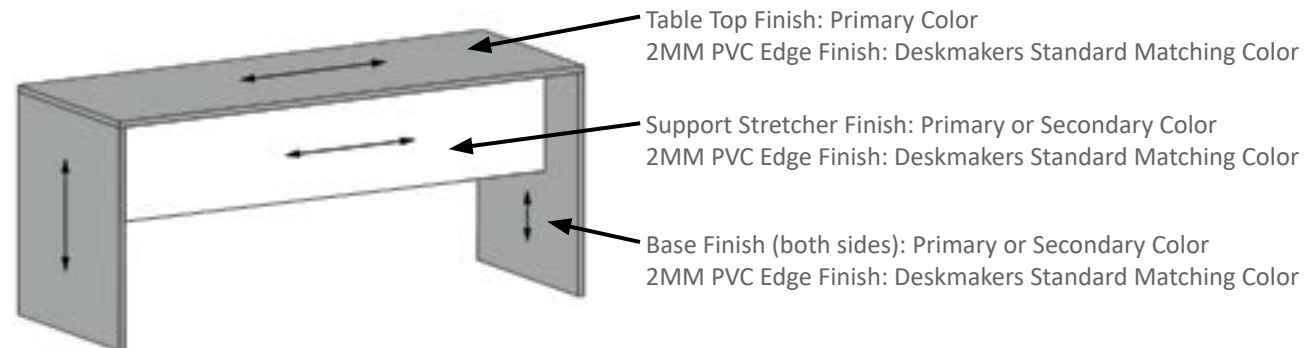


details

- All 1-1/8" thick panels in TFL or HPL with Deskmakers standard 2MM PVC edge banding.
- Top over end panel construction.
- 12" high dual stretchers on desk height and 18" high on Bar height.
- Adjustable levelers.
- Ships unassembled.
- Tables over 96" available in Southern California and/or will call only.



finishes and grain direction

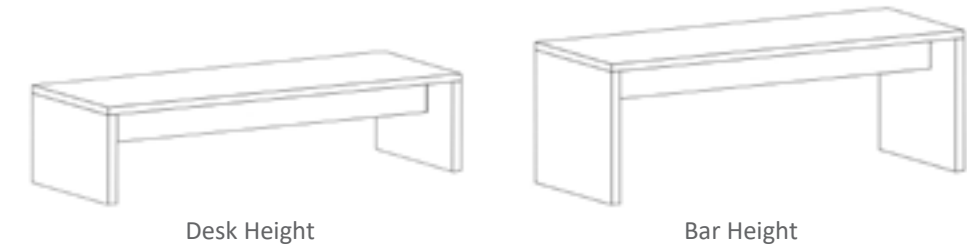


albright

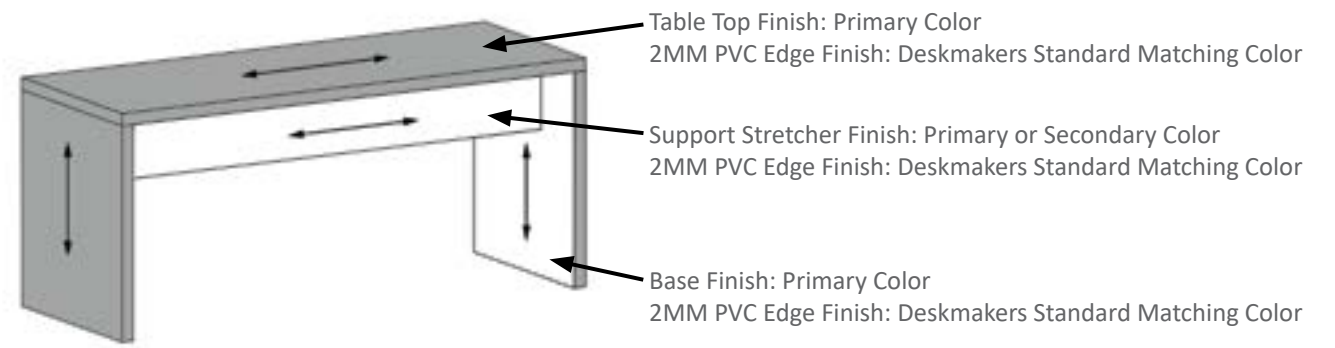


details

- 1-7/8" thick top and end panels in TFL or HPL with Deskmakers standard 2MM PVC edge banding.
- Top over end panel construction.
- 1-1/8" thick 12" high dual stretchers.
- Adjustable levelers.
- Ships unassembled.
- Tables over 96" available in Southern California and/or will call only.



finishes and grain direction

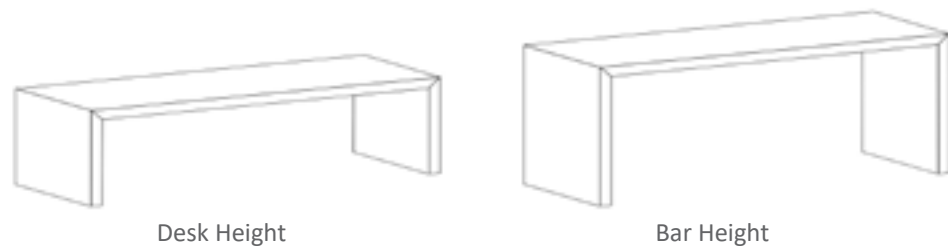


chapala

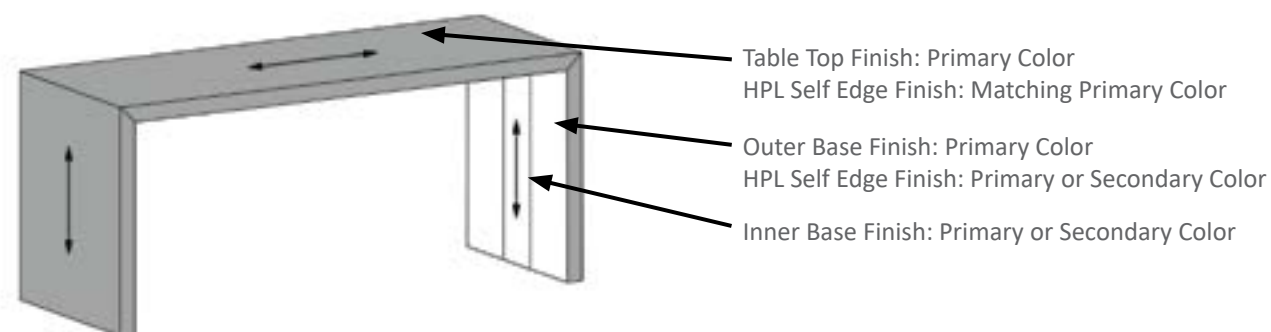


details

- 3" thick top and end panels in HPL with self edge. TFL not available.
- Mitered corner construction with concealed metal support frame.
- Optional removable access door(s).
- Adjustable levelers.
- Ships assembled.
- Tables over 96" available in Southern California and/or will call only.



finishes and grain direction

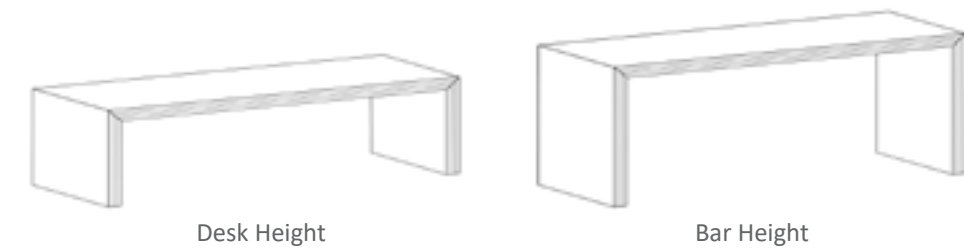


haverford

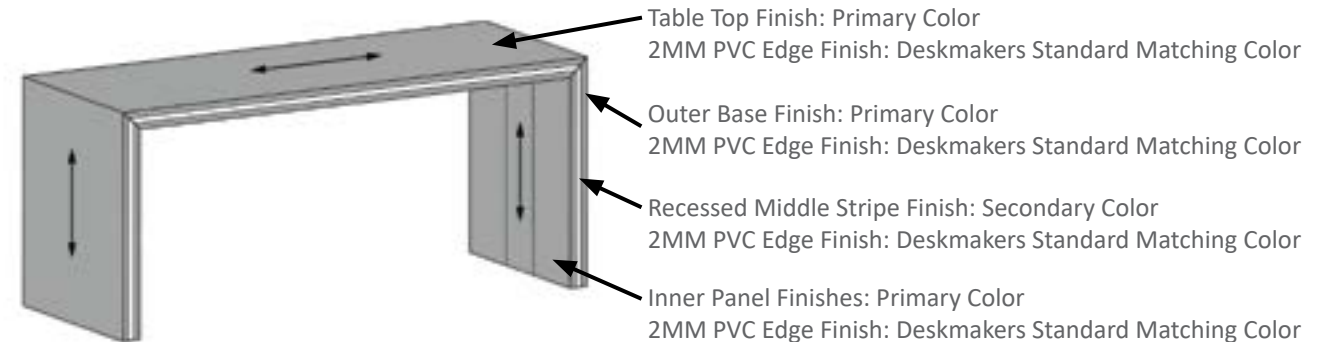


details

- 3-3/8" thick top and end panels in HPL with Deskmakers standard 2MM PVC edge banding. TFL not available.
- Recessed middle accent color stripe.
- Mitered corner construction with concealed metal support frame.
- Optional removable access door(s).
- Adjustable levelers.
- Ships assembled.
- Tables over 96" available in Southern California and/or will call only.



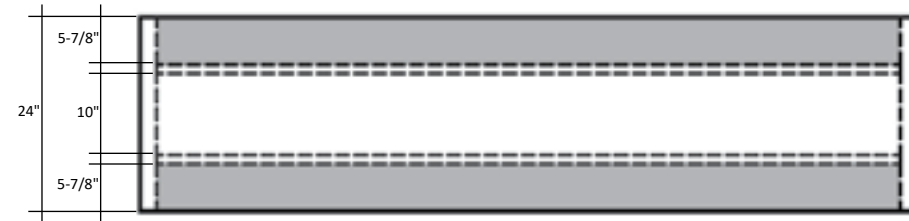
finishes and grain direction



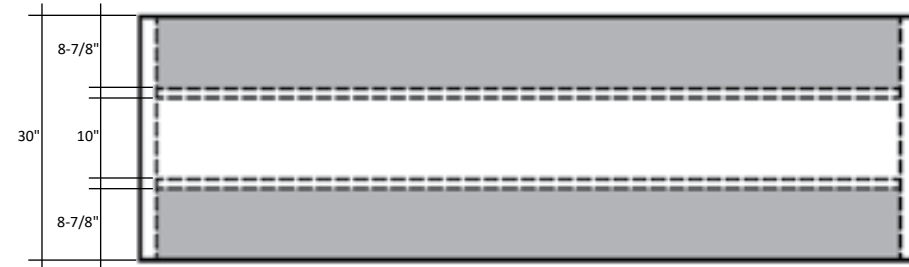
radcliffe and albright clear knee space

Radcliffe and Albright tables have dual stretchers for support, stability and wire management. All stretchers provide a 10" clear opening for electrical. On smaller tables, the stretchers placement may interfere with leg room.

24" deep tables



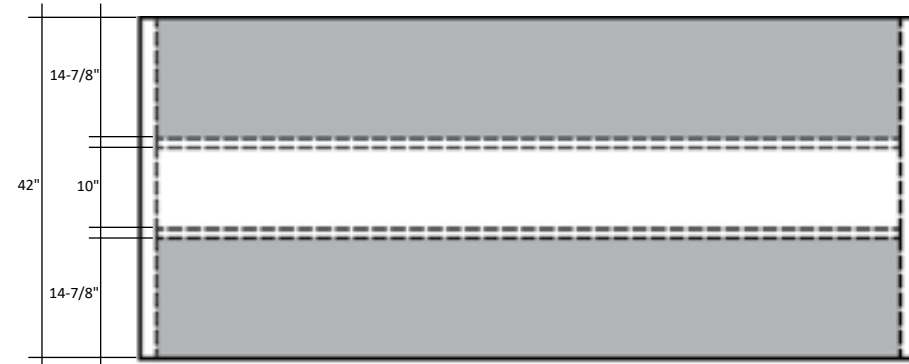
30" deep tables



36" deep tables

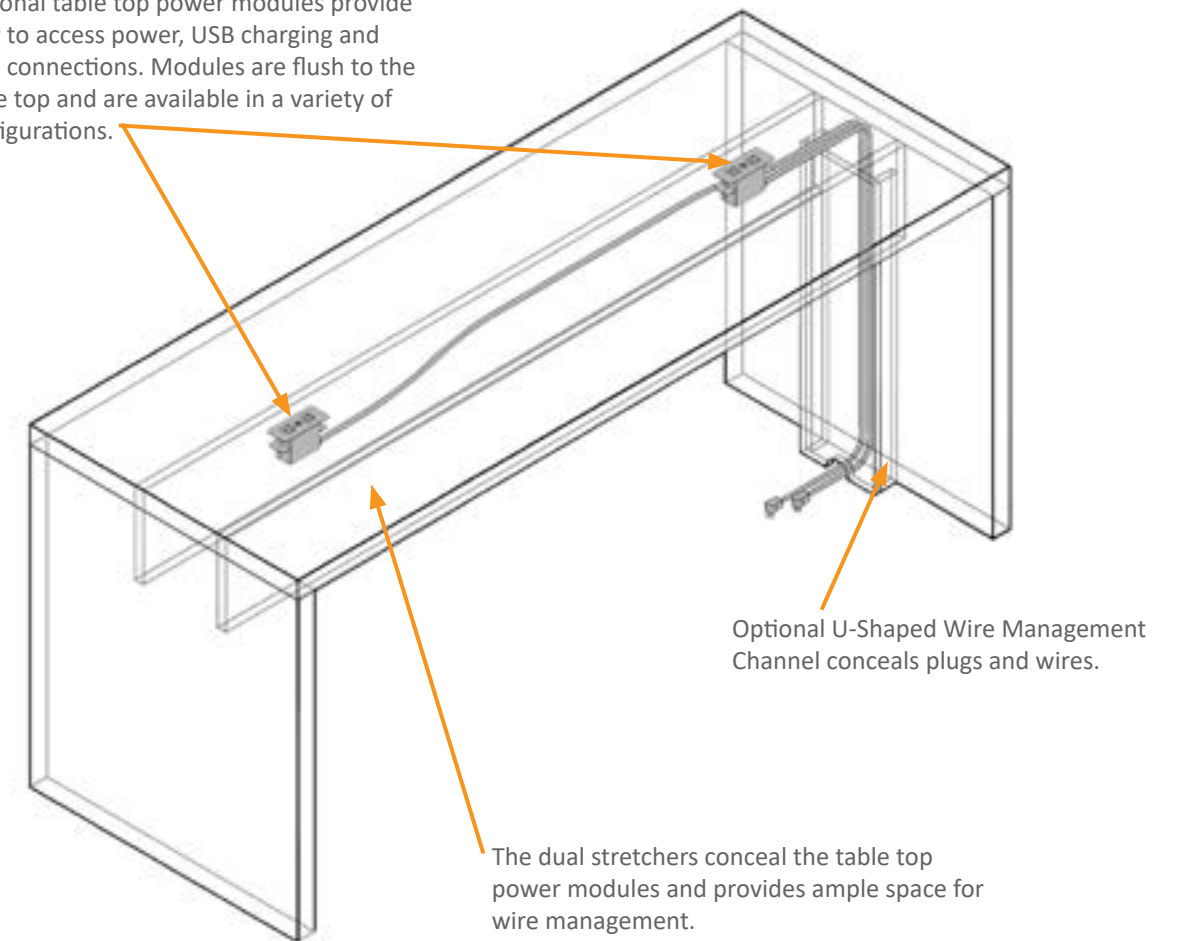


42" deep tables



radcliffe and albright wiring

Optional table top power modules provide easy to access power, USB charging and data connections. Modules are flush to the table top and are available in a variety of configurations.

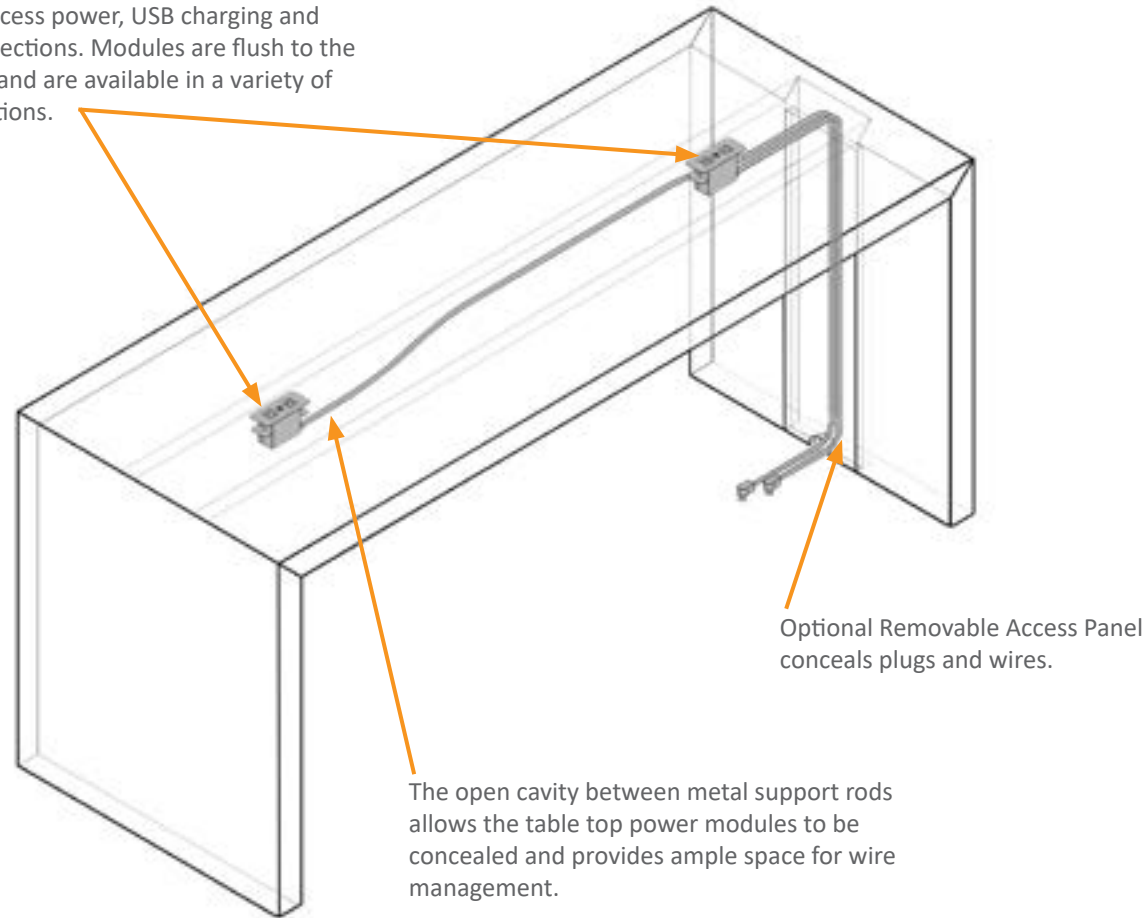


u-shaped wire management channel



chapala and haverford wiring

Optional table top power modules provide easy to access power, USB charging and data connections. Modules are flush to the table top and are available in a variety of configurations.



removable access panel

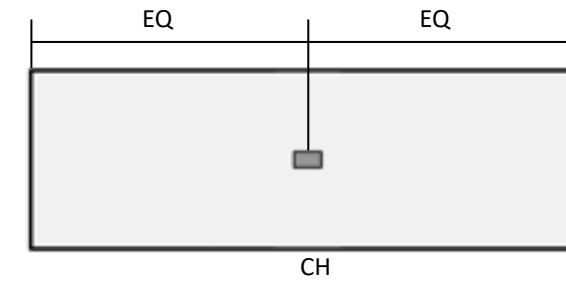


grommet locations

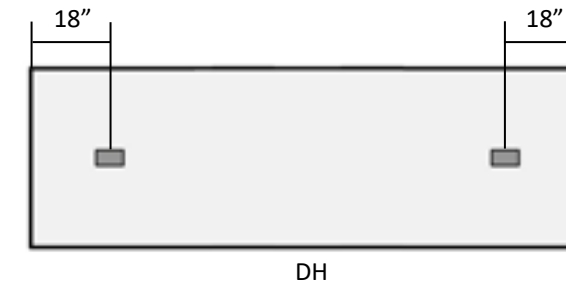
grommet placement:

Grommets are always located centered on the depth of the table top.
All dimensions are to the center of the grommet cutout.

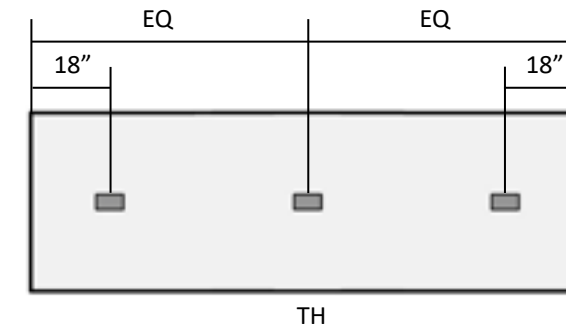
center grommet placement



end left and end right grommet placement



center and end grommet placement*

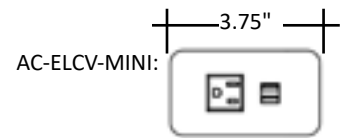
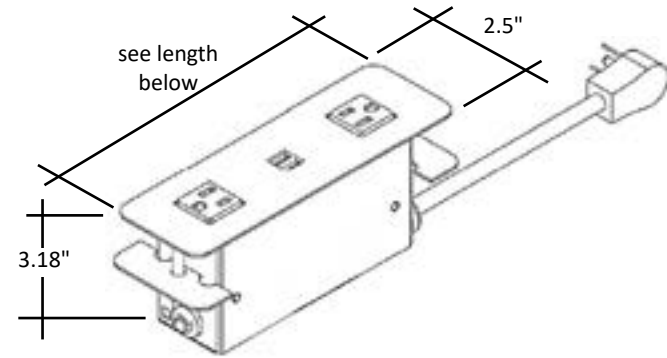


*For tables above 96" only

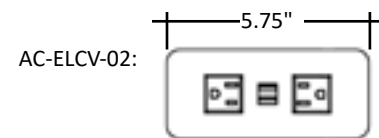
For specific information and pricing on grommets please see the Electrical Pricebook.

Surface Mounted Power and USB Unit

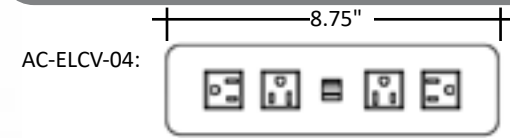
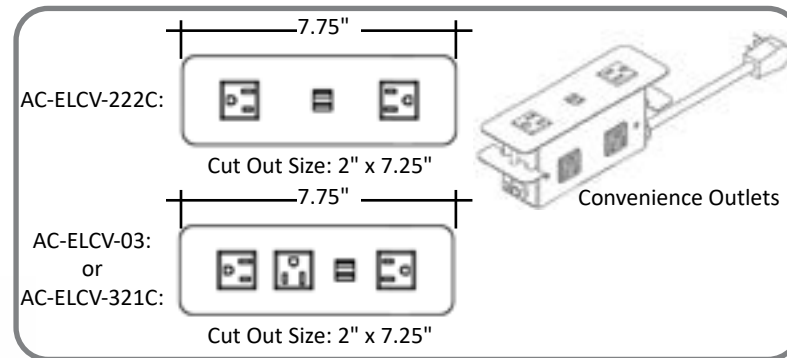
AC-ELCV-MINI, AC-ELCV-02, AC-ELCV-222C, AC-ELCV-03, AC-ELCV-321C, AC-ELCV-04
See Electrical Pricebook for pricing and more power options



Cut Out Size: 1.9" x 3.27"



Cut Out Size: 2" x 5.25"



Cut Out Size: 2" x 8.25"
Rectangle Grommet Retrofit



AC-ELCV-MINI is able to fit into the cutout for AC-GROM-35. This allows power to be added a later date.

Specifications

- Multiple configurations available
- Spill resistant power outlets
- (2) 2.1A USB charging ports
- (1) 108" long 15amp plug cord
- Convenience outlets available on select sizes
- Tension mount
- Available finishes: Black, Silver (shown) and White



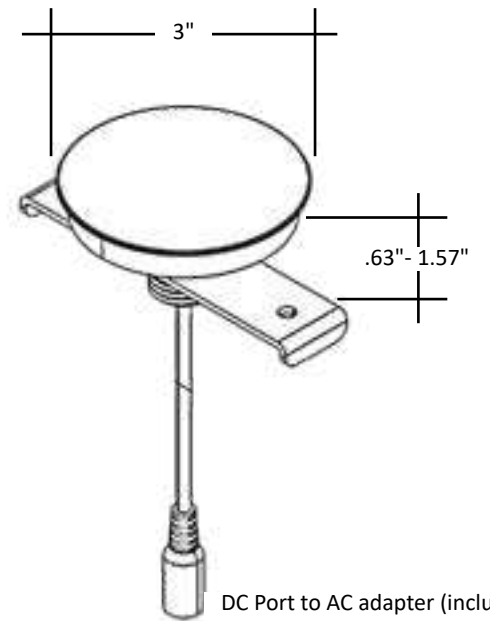
Cordless Charging Unit

AC-ELAC-QI
See Electrical Pricebook for pricing and more power options



Specifications

- Cordless charging capability
 - 10W Qi fast charge compatible with Samsung and Apple*
 - Fits into standard 2.5" grommet cutout
 - (1) 78" long 15amp cord with DC end/AC Adaptor
 - Steel mounting plate
 - Black faux leather soft-touch finish
- *For complete list of compatible devices, contact customer service.



Radcliffe

Desk Height Parsons Table



Model Number	Width	Length	Height	TFL (T)	HPL (H)
24" Wide					
CN-GR1D-2460-?	24	60	29	\$1,140	\$1,894
CN-GR1D-2466-?	24	66	29	\$1,179	\$1,960
CN-GR1D-2472-?	24	72	29	\$1,217	\$2,023
CN-GR1D-2478-?	24	78	29	\$1,257	\$2,089
CN-GR1D-2484-?	24	84	29	\$1,297	\$2,155
CN-GR1D-2490-?	24	90	29	\$1,494	\$2,483
CN-GR1D-2496-?	24	96	29	\$1,532	\$2,548
CN-GR1D-2402-?	24	102	29	N/A	\$2,861
CN-GR1D-2408-?	24	108	29	N/A	\$2,935
CN-GR1D-2414-?	24	114	29	N/A	\$3,006
CN-GR1D-2420-?	24	120	29	N/A	\$3,078
30" Wide					
CN-GR1D-3060-?	30	60	29	\$1,309	\$2,176
CN-GR1D-3066-?	30	66	29	\$1,357	\$2,257
CN-GR1D-3072-?	30	72	29	\$1,407	\$2,339
CN-GR1D-3078-?	30	78	29	\$1,455	\$2,418
CN-GR1D-3084-?	30	84	29	\$1,506	\$2,502
CN-GR1D-3090-?	30	90	29	\$1,711	\$2,846
CN-GR1D-3096-?	30	96	29	\$1,762	\$2,927
CN-GR1D-3002-?	30	102	29	N/A	\$3,295
CN-GR1D-3008-?	30	108	29	N/A	\$3,387
CN-GR1D-3014-?	30	114	29	N/A	\$3,476
CN-GR1D-3020-?	30	120	29	N/A	\$3,566

- 1-1/8" thick panels are TFL or HPL with Deskmakers standard 2MM PVC edge banding, HPL self edge not available.
- Top over end panel construction with 12" high dual support Stretchers.
- Adjustable levelers.
- Ships unassembled.
- Tables over 96" available in Southern California and/or will call only.

U-Shaped Wire Management Channel



Model Number	Depth	Width	Height	Price
CN-UCHN-GR1D	3	8	16	\$304

- 3/4" thermofuse laminate material only. Ships with mounting hardware for securing to table base.

Radcliffe

Desk Height Parsons Table



Model Number	Width	Length	Height	TFL (T)	HPL (H)
36" Wide					
CN-GR1D-3660-?	36	60	29	\$1,478	\$2,456
CN-GR1D-3666-?	36	66	29	\$1,538	\$2,556
CN-GR1D-3672-?	36	72	29	\$1,596	\$2,652
CN-GR1D-3678-?	36	78	29	\$1,656	\$2,752
CN-GR1D-3684-?	36	84	29	\$1,714	\$2,848
CN-GR1D-3690-?	36	90	29	\$1,931	\$3,211
CN-GR1D-3696-?	36	96	29	\$1,990	\$3,307
CN-GR1D-3602-?	36	102	29	N/A	\$3,730
CN-GR1D-3608-?	36	108	29	N/A	\$3,834
CN-GR1D-3614-?	36	114	29	N/A	\$3,946
CN-GR1D-3620-?	36	120	29	N/A	\$4,054
42" Wide					
CN-GR1D-4260-?	42	60	29	\$1,648	\$2,738
CN-GR1D-4266-?	42	66	29	\$1,715	\$2,851
CN-GR1D-4272-?	42	72	29	\$1,784	\$2,967
CN-GR1D-4278-?	42	78	29	\$1,854	\$3,082
CN-GR1D-4284-?	42	84	29	\$1,923	\$3,196
CN-GR1D-4290-?	42	90	29	\$2,149	\$3,570
CN-GR1D-4296-?	42	96	29	\$2,218	\$3,685
CN-GR1D-4202-?	42	102	29	N/A	\$4,163
CN-GR1D-4208-?	42	108	29	N/A	\$4,289
CN-GR1D-4214-?	42	114	29	N/A	\$4,412
CN-GR1D-4220-?	42	120	29	N/A	\$4,539

- 1-1/8" thick panels are TFL or HPL with Deskmakers standard 2MM PVC edge banding, HPL self edge not available.
- Top over end panel construction with 12" high dual support Stretchers.
- Adjustable levelers.
- Ships unassembled.
- Tables over 96" available in Southern California and/or will call only.

U-Shaped Wire Management Channel



Model Number	Depth	Width	Height	Price
CN-UCHN-GR1D	3	8	16	\$304

- 3/4" thermofuse laminate material only. Ships with mounting hardware for securing to table base.

Radcliffe

2-Piece Desk Height Parsons Table



Model Number	Width	Length	Center Leg	Height	TFL (T)	HPL (H)
24" Wide						
CN-G1D2-2402-?	24	102	16	29	\$2,146	\$3,564
CN-G1D2-2408-?	24	108	16	29	\$2,189	\$3,638
CN-G1D2-2414-?	24	114	16	29	\$2,234	\$3,712
CN-G1D2-2420-?	24	120	16	29	\$2,280	\$3,788
CN-G1D2-2426-?	24	126	16	29	\$2,319	\$3,854
CN-G1D2-2432-?	24	132	16	29	\$2,359	\$3,921
CN-G1D2-2438-?	24	138	16	29	\$2,396	\$3,983
CN-G1D2-2444-?	24	144	16	29	\$2,434	\$4,046
CN-G1D2-2450-?	24	150	16	29	\$2,473	\$4,112
CN-G1D2-2456-?	24	156	16	29	\$2,513	\$4,179
CN-G1D2-2462-?	24	162	16	29	\$2,553	\$4,245
CN-G1D2-2468-?	24	168	16	29	\$2,594	\$4,312
CN-G1D2-2474-?	24	174	16	29	\$2,790	\$4,638
CN-G1D2-2480-?	24	180	16	29	\$2,987	\$4,965
CN-G1D2-2486-?	24	186	16	29	\$3,025	\$5,030
CN-G1D2-2492-?	24	192	16	29	\$3,064	\$5,096
30" Wide						
CN-G1D2-3002-?	30	102	18	29	\$2,465	\$4,098
CN-G1D2-3008-?	30	108	18	29	\$2,515	\$4,181
CN-G1D2-3014-?	30	114	18	29	\$2,567	\$4,266
CN-G1D2-3020-?	30	120	18	29	\$2,619	\$4,353
CN-G1D2-3026-?	30	126	18	29	\$2,667	\$4,434
CN-G1D2-3032-?	30	132	18	29	\$2,714	\$4,514
CN-G1D2-3038-?	30	138	18	29	\$2,763	\$4,596
CN-G1D2-3044-?	30	144	18	29	\$2,812	\$4,678
CN-G1D2-3050-?	30	150	18	29	\$2,861	\$4,757
CN-G1D2-3056-?	30	156	18	29	\$2,910	\$4,836
CN-G1D2-3062-?	30	162	18	29	\$2,961	\$4,920
CN-G1D2-3068-?	30	168	18	29	\$3,012	\$5,004
CN-G1D2-3074-?	30	174	18	29	\$3,217	\$5,349
CN-G1D2-3080-?	30	180	18	29	\$3,422	\$5,693
CN-G1D2-3086-?	30	186	18	29	\$3,473	\$5,773
CN-G1D2-3092-?	30	192	18	29	\$3,524	\$5,853

- 1-1/8" thick panels are TFL or HPL with Deskmakers standard 2MM PVC edge banding, HPL self edge not available.
- Top over end panel construction with 12" high dual support Stretchers.
- Adjustable levelers.
- Ships unassembled.

Radcliffe

2-Piece Desk Height Parsons Table

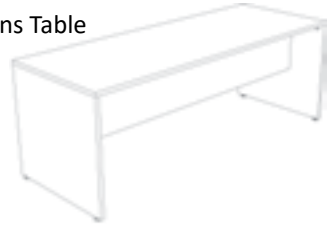


Model Number	Width	Length	Center Leg	Height	TFL (T)	HPL (H)
36" Wide						
CN-G1D2-3602-?	36	102	18	29	\$2,782	\$4,622
CN-G1D2-3608-?	36	108	18	29	\$2,838	\$4,716
CN-G1D2-3614-?	36	114	18	29	\$2,896	\$4,813
CN-G1D2-3620-?	36	120	18	29	\$2,956	\$4,911
CN-G1D2-3626-?	36	126	18	29	\$3,015	\$5,011
CN-G1D2-3632-?	36	132	18	29	\$3,074	\$5,111
CN-G1D2-3638-?	36	138	18	29	\$3,132	\$5,212
CN-G1D2-3644-?	36	144	18	29	\$3,191	\$5,314
CN-G1D2-3650-?	36	150	18	29	\$3,251	\$5,394
CN-G1D2-3656-?	36	156	18	29	\$3,311	\$5,475
CN-G1D2-3662-?	36	162	18	29	\$3,370	\$5,585
CN-G1D2-3668-?	36	168	18	29	\$3,428	\$5,695
CN-G1D2-3674-?	36	174	18	29	\$3,644	\$6,058
CN-G1D2-3680-?	36	180	18	29	\$3,860	\$6,421
CN-G1D2-3686-?	36	186	18	29	\$3,921	\$6,518
CN-G1D2-3692-?	36	192	18	29	\$3,981	\$6,614
42" Wide						
CN-G1D2-4202-?	42	102	21	29	\$3,103	\$5,154
CN-G1D2-4208-?	42	108	21	29	\$3,166	\$5,259
CN-G1D2-4214-?	42	114	21	29	\$3,231	\$5,367
CN-G1D2-4220-?	42	120	21	29	\$3,297	\$5,477
CN-G1D2-4226-?	42	126	21	29	\$3,363	\$5,589
CN-G1D2-4232-?	42	132	21	29	\$3,430	\$5,701
CN-G1D2-4238-?	42	138	21	29	\$3,499	\$5,818
CN-G1D2-4244-?	42	144	21	29	\$3,567	\$5,934
CN-G1D2-4250-?	42	150	21	29	\$3,637	\$6,049
CN-G1D2-4256-?	42	156	21	29	\$3,707	\$6,163
CN-G1D2-4262-?	42	162	21	29	\$3,776	\$6,277
CN-G1D2-4268-?	42	168	21	29	\$3,846	\$6,392
CN-G1D2-4274-?	42	174	21	29	\$4,072	\$6,766
CN-G1D2-4280-?	42	180	21	29	\$4,297	\$7,141
CN-G1D2-4286-?	42	186	21	29	\$4,366	\$7,255
CN-G1D2-4292-?	42	192	21	29	\$4,435	\$7,369

- 1-1/8" thick panels are TFL or HPL with Deskmakers standard 2MM PVC edge banding, HPL self edge not available.
- Top over end panel construction with 12" high dual support Stretchers.
- Adjustable levelers.
- Ships unassembled.

Radcliffe

Counter Height Parsons Table



Model Number	Width	Length	Height	TFL (T)	HPL (H)
24" Wide					
CN-GR1C-2460-?	24	60	36	\$1,155	\$1,885
CN-GR1C-2466-?	24	66	36	\$1,196	\$1,950
CN-GR1C-2472-?	24	72	36	\$1,236	\$2,015
CN-GR1C-2478-?	24	78	36	\$1,278	\$2,081
CN-GR1C-2484-?	24	84	36	\$1,321	\$2,147
CN-GR1C-2490-?	24	90	36	\$1,528	\$2,474
CN-GR1C-2496-?	24	96	36	\$1,567	\$2,537
CN-GR1C-2402-?	24	102	36	N/A	\$2,863
CN-GR1C-2408-?	24	108	36	N/A	\$2,937
CN-GR1C-2414-?	24	114	36	N/A	\$3,008
CN-GR1C-2420-?	24	120	36	N/A	\$3,079
30" Wide					
CN-GR1C-3060-?	30	60	36	\$1,347	\$2,189
CN-GR1C-3066-?	30	66	36	\$1,399	\$2,271
CN-GR1C-3072-?	30	72	36	\$1,449	\$2,352
CN-GR1C-3078-?	30	78	36	\$1,501	\$2,434
CN-GR1C-3084-?	30	84	36	\$1,554	\$2,518
CN-GR1C-3090-?	30	90	36	\$1,771	\$2,858
CN-GR1C-3096-?	30	96	36	\$1,823	\$2,941
CN-GR1C-3002-?	30	102	36	N/A	\$3,321
CN-GR1C-3008-?	30	108	36	N/A	\$3,413
CN-GR1C-3014-?	30	114	36	N/A	\$3,503
CN-GR1C-3020-?	30	120	36	N/A	\$3,591

- 1-1/8" thick panels are TFL or HPL with Deskmakers standard 2MM PVC edge banding, HPL self edge not available.
- Top over end panel construction with 12" high dual support Stretchers.
- Adjustable levelers.
- Ships unassembled.
- Tables over 96" available in Southern California and/or will call only.

U-Shaped Wire Management Channel



Model Number	Depth	Width	Height	Price
CN-UCHN-GR1C	3	8	16 3/8	\$322

- 3/4" thermofuse laminate material only. Ships with mounting hardware for securing to table base.

Radcliffe

Counter Height Parsons Table



Model Number	Width	Length	Height	TFL (T)	HPL (H)
36" Wide					
CN-GR1C-3660-?	36	60	36	\$1,540	\$2,492
CN-GR1C-3666-?	36	66	36	\$1,603	\$2,592
CN-GR1C-3672-?	36	72	36	\$1,664	\$2,691
CN-GR1C-3678-?	36	78	36	\$1,727	\$2,789
CN-GR1C-3684-?	36	84	36	\$1,788	\$2,886
CN-GR1C-3690-?	36	90	36	\$2,018	\$3,246
CN-GR1C-3696-?	36	96	36	\$2,078	\$3,346
CN-GR1C-3602-?	36	102	36	N/A	\$3,784
CN-GR1C-3608-?	36	108	36	N/A	\$3,888
CN-GR1C-3614-?	36	114	36	N/A	\$3,998
CN-GR1C-3620-?	36	120	36	N/A	\$4,105
42" Wide					
CN-GR1C-4260-?	42	60	36	\$1,733	\$2,800
CN-GR1C-4266-?	42	66	36	\$1,803	\$2,912
CN-GR1C-4272-?	42	72	36	\$1,877	\$3,026
CN-GR1C-4278-?	42	78	36	\$1,951	\$3,142
CN-GR1C-4284-?	42	84	36	\$2,024	\$3,258
CN-GR1C-4290-?	42	90	36	\$2,260	\$3,633
CN-GR1C-4296-?	42	96	36	\$2,334	\$3,747
CN-GR1C-4202-?	42	102	36	N/A	\$4,242
CN-GR1C-4208-?	42	108	36	N/A	\$4,369
CN-GR1C-4214-?	42	114	36	N/A	\$4,491
CN-GR1C-4220-?	42	120	36	N/A	\$4,616

- 1-1/8" thick panels are TFL or HPL with Deskmakers standard 2MM PVC edge banding, HPL self edge not available.
- Top over end panel construction with 12" high dual support Stretchers.
- Adjustable levelers.
- Ships unassembled.
- Tables over 96" available in Southern California and/or will call only.

U-Shaped Wire Management Channel

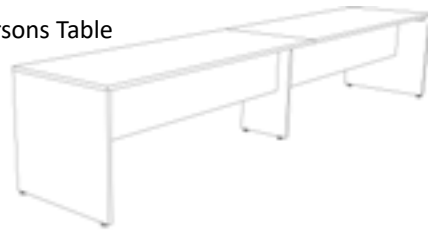


Model Number	Depth	Width	Height	Price
CN-UCHN-GR1C	3	8	16 3/8	\$322

- 3/4" thermofuse laminate material only. Ships with mounting hardware for securing to table base.

Radcliffe

2-Piece Counter Height Parsons Table



Model Number	Width	Length	Center Leg	Height	TFL (T)	HPL (H)
24" Wide						
CN-G1C2-2402-?	24	102	16	36	\$2,175	\$3,550
CN-G1C2-2408-?	24	108	16	36	\$2,219	\$3,621
CN-G1C2-2414-?	24	114	16	36	\$2,265	\$3,695
CN-G1C2-2420-?	24	120	16	36	\$2,311	\$3,771
CN-G1C2-2426-?	24	126	16	36	\$2,351	\$3,836
CN-G1C2-2432-?	24	132	16	36	\$2,392	\$3,900
CN-G1C2-2438-?	24	138	16	36	\$2,433	\$3,964
CN-G1C2-2444-?	24	144	16	36	\$2,473	\$4,029
CN-G1C2-2450-?	24	150	16	36	\$2,515	\$4,096
CN-G1C2-2456-?	24	156	16	36	\$2,556	\$4,162
CN-G1C2-2462-?	24	162	16	36	\$2,599	\$4,228
CN-G1C2-2468-?	24	168	16	36	\$2,642	\$4,293
CN-G1C2-2474-?	24	174	16	36	\$2,849	\$4,621
CN-G1C2-2480-?	24	180	16	36	\$3,056	\$4,948
CN-G1C2-2486-?	24	186	16	36	\$3,095	\$5,012
CN-G1C2-2492-?	24	192	16	36	\$3,135	\$5,075
30" Wide						
CN-G1C2-3002-?	30	102	18	36	\$2,536	\$4,120
CN-G1C2-3008-?	30	108	18	36	\$2,586	\$4,205
CN-G1C2-3014-?	30	114	18	36	\$2,640	\$4,291
CN-G1C2-3020-?	30	120	18	36	\$2,694	\$4,378
CN-G1C2-3026-?	30	126	18	36	\$2,746	\$4,461
CN-G1C2-3032-?	30	132	18	36	\$2,798	\$4,543
CN-G1C2-3038-?	30	138	18	36	\$2,849	\$4,623
CN-G1C2-3044-?	30	144	18	36	\$2,900	\$4,703
CN-G1C2-3050-?	30	150	18	36	\$2,952	\$4,785
CN-G1C2-3056-?	30	156	18	36	\$3,004	\$4,867
CN-G1C2-3062-?	30	162	18	36	\$3,056	\$4,951
CN-G1C2-3068-?	30	168	18	36	\$3,108	\$5,036
CN-G1C2-3074-?	30	174	18	36	\$3,325	\$5,376
CN-G1C2-3080-?	30	180	18	36	\$3,542	\$5,716
CN-G1C2-3086-?	30	186	18	36	\$3,594	\$5,798
CN-G1C2-3092-?	30	192	18	36	\$3,646	\$5,880

- 1-1/8" thick panels are TFL or HPL with Deskmakers standard 2MM PVC edge banding, HPL self edge not available.
- Top over end panel construction with 12" high dual support Stretchers.
- Adjustable levelers.
- Ships unassembled.

Radcliffe

2-Piece Counter Height Parsons Table



Model Number	Width	Length	Center Leg	Height	TFL (T)	HPL (H)
36" Wide						
CN-G1C2-3602-?	36	102	18	36	\$2,900	\$4,690
CN-G1C2-3608-?	36	108	18	36	\$2,959	\$4,786
CN-G1C2-3614-?	36	114	18	36	\$3,019	\$4,884
CN-G1C2-3620-?	36	120	18	36	\$3,080	\$4,984
CN-G1C2-3626-?	36	126	18	36	\$3,143	\$5,084
CN-G1C2-3632-?	36	132	18	36	\$3,205	\$5,183
CN-G1C2-3638-?	36	138	18	36	\$3,267	\$5,282
CN-G1C2-3644-?	36	144	18	36	\$3,328	\$5,381
CN-G1C2-3650-?	36	150	18	36	\$3,390	\$5,480
CN-G1C2-3656-?	36	156	18	36	\$3,453	\$5,579
CN-G1C2-3662-?	36	162	18	36	\$3,514	\$5,675
CN-G1C2-3668-?	36	168	18	36	\$3,576	\$5,772
CN-G1C2-3674-?	36	174	18	36	\$3,805	\$6,132
CN-G1C2-3680-?	36	180	18	36	\$4,035	\$6,492
CN-G1C2-3686-?	36	186	18	36	\$4,096	\$6,592
CN-G1C2-3692-?	36	192	18	36	\$4,156	\$6,691
42" Wide						
CN-G1C2-4202-?	42	102	21	36	\$3,261	\$5,272
CN-G1C2-4208-?	42	108	21	36	\$3,328	\$5,380
CN-G1C2-4214-?	42	114	21	36	\$3,396	\$5,489
CN-G1C2-4220-?	42	120	21	36	\$3,465	\$5,601
CN-G1C2-4226-?	42	126	21	36	\$3,536	\$5,713
CN-G1C2-4232-?	42	132	21	36	\$3,607	\$5,824
CN-G1C2-4238-?	42	138	21	36	\$3,681	\$5,938
CN-G1C2-4244-?	42	144	21	36	\$3,754	\$6,053
CN-G1C2-4250-?	42	150	21	36	\$3,828	\$6,168
CN-G1C2-4256-?	42	156	21	36	\$3,902	\$6,284
CN-G1C2-4262-?	42	162	21	36	\$3,975	\$6,400
CN-G1C2-4268-?	42	168	21	36	\$4,048	\$6,517
CN-G1C2-4274-?	42	174	21	36	\$4,284	\$6,891
CN-G1C2-4280-?	42	180	21	36	\$4,520	\$7,265
CN-G1C2-4286-?	42	186	21	36	\$4,594	\$7,380
CN-G1C2-4292-?	42	192	21	36	\$4,668	\$7,494

- 1-1/8" thick panels are TFL or HPL with Deskmakers standard 2MM PVC edge banding, HPL self edge not available.
- Top over end panel construction with 12" high dual support Stretchers.
- Adjustable levelers.
- Ships unassembled.

Radcliffe

Bar Height Parsons Table



Model Number	Width	Length	Height	TFL (T)	HPL (H)
24" Wide					
CN-GR1S-2460-?	24	60	42	\$1,274	\$2,010
CN-GR1S-2466-?	24	66	42	\$1,315	\$2,075
CN-GR1S-2472-?	24	72	42	\$1,355	\$2,139
CN-GR1S-2478-?	24	78	42	\$1,396	\$2,205
CN-GR1S-2484-?	24	84	42	\$1,439	\$2,272
CN-GR1S-2490-?	24	90	42	\$1,646	\$2,599
CN-GR1S-2496-?	24	96	42	\$1,686	\$2,662
CN-GR1S-2402-?	24	102	42	N/A	\$2,988
CN-GR1S-2408-?	24	108	42	N/A	\$3,062
CN-GR1S-2414-?	24	114	42	N/A	\$3,133
CN-GR1S-2420-?	24	120	42	N/A	\$3,204
30" Wide					
CN-GR1S-3060-?	30	60	42	\$1,465	\$2,314
CN-GR1S-3066-?	30	66	42	\$1,517	\$2,396
CN-GR1S-3072-?	30	72	42	\$1,568	\$2,477
CN-GR1S-3078-?	30	78	42	\$1,620	\$2,559
CN-GR1S-3084-?	30	84	42	\$1,672	\$2,643
CN-GR1S-3090-?	30	90	42	\$1,890	\$2,983
CN-GR1S-3096-?	30	96	42	\$1,942	\$3,065
CN-GR1S-3002-?	30	102	42	N/A	\$3,446
CN-GR1S-3008-?	30	108	42	N/A	\$3,538
CN-GR1S-3014-?	30	114	42	N/A	\$3,628
CN-GR1S-3020-?	30	120	42	N/A	\$3,716

- 1-1/8" thick panels are TFL or HPL with Deskmakers standard 2MM PVC edge banding, HPL self edge not available.
- Top over end panel construction with 18" high dual support Stretchers.
- Adjustable levelers.
- Ships unassembled.
- Tables over 96" available in Southern California and/or will call only.

U-Shaped Wire Management Channel



Model Number	Depth	Length	Height	Price
CN-UCHN-GR1S	3	8	29	\$342

- 3/4" thermofuse laminate material only. Ships with mounting hardware for securing to table base.

Radcliffe

Bar Height Parsons Table



Model Number	Width	Length	Height	TFL (T)	HPL (H)
36" Wide					
CN-GR1S-3660-?	36	60	42	\$1,658	\$2,617
CN-GR1S-3666-?	36	66	42	\$1,721	\$2,717
CN-GR1S-3672-?	36	72	42	\$1,783	\$2,815
CN-GR1S-3678-?	36	78	42	\$1,845	\$2,914
CN-GR1S-3684-?	36	84	42	\$1,907	\$3,011
CN-GR1S-3690-?	36	90	42	\$2,137	\$3,370
CN-GR1S-3696-?	36	96	42	\$2,196	\$3,470
CN-GR1S-3602-?	36	102	42	N/A	\$3,909
CN-GR1S-3608-?	36	108	42	N/A	\$4,013
CN-GR1S-3614-?	36	114	42	N/A	\$4,122
CN-GR1S-3620-?	36	120	42	N/A	\$4,230
42" Wide					
CN-GR1S-4260-?	42	60	42	\$1,851	\$2,925
CN-GR1S-4266-?	42	66	42	\$1,922	\$3,036
CN-GR1S-4272-?	42	72	42	\$1,996	\$3,151
CN-GR1S-4278-?	42	78	42	\$2,069	\$3,267
CN-GR1S-4284-?	42	84	42	\$2,143	\$3,383
CN-GR1S-4290-?	42	90	42	\$2,379	\$3,758
CN-GR1S-4296-?	42	96	42	\$2,452	\$3,872
CN-GR1S-4202-?	42	102	42	N/A	\$4,366
CN-GR1S-4208-?	42	108	42	N/A	\$4,494
CN-GR1S-4214-?	42	114	42	N/A	\$4,615
CN-GR1S-4220-?	42	120	42	N/A	\$4,741

- 1-1/8" thick panels are TFL or HPL with Deskmakers standard 2MM PVC edge banding, HPL self edge not available.
- Top over end panel construction with 18" high dual support Stretchers.
- Adjustable levelers.
- Ships unassembled.
- Tables over 96" available in Southern California and/or will call only.

U-Shaped Wire Management Channel



Model Number	Depth	Width	Height	Price
CN-UCHN-GR1S	3	8	29	\$342

- 3/4" thermofuse laminate material only. Ships with mounting hardware for securing to table base.

Radcliffe

2-Piece Bar Height Parsons Table



Model Number	Width	Length	Center Leg	Height	TFL (T)	HPL (H)
24" Wide						
CN-G1S2-2402-?	24	102	16	42	\$2,398	\$3,785
CN-G1S2-2408-?	24	108	16	42	\$2,437	\$3,862
CN-G1S2-2414-?	24	114	16	42	\$2,497	\$3,941
CN-G1S2-2420-?	24	120	16	42	\$2,548	\$4,021
CN-G1S2-2426-?	24	126	16	42	\$2,589	\$4,085
CN-G1S2-2432-?	24	132	16	42	\$2,629	\$4,150
CN-G1S2-2438-?	24	138	16	42	\$2,670	\$4,214
CN-G1S2-2444-?	24	144	16	42	\$2,710	\$4,279
CN-G1S2-2450-?	24	150	16	42	\$2,752	\$4,345
CN-G1S2-2456-?	24	156	16	42	\$2,793	\$4,412
CN-G1S2-2462-?	24	162	16	42	\$2,836	\$4,477
CN-G1S2-2468-?	24	168	16	42	\$2,879	\$4,543
CN-G1S2-2474-?	24	174	16	42	\$3,086	\$4,870
CN-G1S2-2480-?	24	180	16	42	\$3,293	\$5,198
CN-G1S2-2486-?	24	186	16	42	\$3,332	\$5,261
CN-G1S2-2492-?	24	192	16	42	\$3,372	\$5,325
30" Wide						
CN-G1S2-3002-?	30	102	18	42	\$2,758	\$4,356
CN-G1S2-3008-?	30	108	18	42	\$2,814	\$4,445
CN-G1S2-3014-?	30	114	18	42	\$2,872	\$4,535
CN-G1S2-3020-?	30	120	18	42	\$2,931	\$4,628
CN-G1S2-3026-?	30	126	18	42	\$2,983	\$4,710
CN-G1S2-3032-?	30	132	18	42	\$3,035	\$4,792
CN-G1S2-3038-?	30	138	18	42	\$3,086	\$4,872
CN-G1S2-3044-?	30	144	18	42	\$3,137	\$4,952
CN-G1S2-3050-?	30	150	18	42	\$3,189	\$5,035
CN-G1S2-3056-?	30	156	18	42	\$3,241	\$5,117
CN-G1S2-3062-?	30	162	18	42	\$3,293	\$5,201
CN-G1S2-3068-?	30	168	18	42	\$3,345	\$5,285
CN-G1S2-3074-?	30	174	18	42	\$3,562	\$5,625
CN-G1S2-3080-?	30	180	18	42	\$3,779	\$5,965
CN-G1S2-3086-?	30	186	18	42	\$3,831	\$6,048
CN-G1S2-3092-?	30	192	18	42	\$3,883	\$6,130

- 1-1/8" thick panels are TFL or HPL with Deskmakers standard 2MM PVC edge banding, HPL self edge not available.
- Top over end panel construction with 12" high dual support Stretchers.
- Adjustable levelers.
- Ships unassembled.

Radcliffe

2-Piece Bar Height Parsons Table



Model Number	Width	Length	Center Leg	Height	TFL (T)	HPL (H)
36" Wide						
CN-G1S2-3602-?	36	102	18	42	\$3,122	\$4,925
CN-G1S2-3608-?	36	108	18	42	\$3,187	\$5,026
CN-G1S2-3614-?	36	114	18	42	\$3,251	\$5,128
CN-G1S2-3620-?	36	120	18	42	\$3,318	\$5,233
CN-G1S2-3626-?	36	126	18	42	\$3,380	\$5,333
CN-G1S2-3632-?	36	132	18	42	\$3,442	\$5,433
CN-G1S2-3638-?	36	138	18	42	\$3,504	\$5,532
CN-G1S2-3644-?	36	144	18	42	\$3,565	\$5,631
CN-G1S2-3650-?	36	150	18	42	\$3,628	\$5,729
CN-G1S2-3656-?	36	156	18	42	\$3,690	\$5,828
CN-G1S2-3662-?	36	162	18	42	\$3,751	\$5,925
CN-G1S2-3668-?	36	168	18	42	\$3,813	\$6,022
CN-G1S2-3674-?	36	174	18	42	\$4,042	\$6,381
CN-G1S2-3680-?	36	180	18	42	\$4,272	\$6,741
CN-G1S2-3686-?	36	186	18	42	\$4,333	\$6,841
CN-G1S2-3692-?	36	192	18	42	\$4,393	\$6,941
42" Wide						
CN-G1S2-4202-?	42	102	21	42	\$3,485	\$5,507
CN-G1S2-4208-?	42	108	21	42	\$3,556	\$5,619
CN-G1S2-4214-?	42	114	21	42	\$3,629	\$5,734
CN-G1S2-4220-?	42	120	21	42	\$3,702	\$5,851
CN-G1S2-4226-?	42	126	21	42	\$3,773	\$5,962
CN-G1S2-4232-?	42	132	21	42	\$3,844	\$6,074
CN-G1S2-4238-?	42	138	21	42	\$3,918	\$6,188
CN-G1S2-4244-?	42	144	21	42	\$3,992	\$6,302
CN-G1S2-4250-?	42	150	21	42	\$4,065	\$6,418
CN-G1S2-4256-?	42	156	21	42	\$4,139	\$6,533
CN-G1S2-4262-?	42	162	21	42	\$4,212	\$13,300
CN-G1S2-4268-?	42	168	21	42	\$4,285	\$6,766
CN-G1S2-4274-?	42	174	21	42	\$4,521	\$7,141
CN-G1S2-4280-?	42	180	21	42	\$4,757	\$7,515
CN-G1S2-4286-?	42	186	21	42	\$4,831	\$7,629
CN-G1S2-4292-?	42	192	21	42	\$4,905	\$7,744

- 1-1/8" thick panels are TFL or HPL with Deskmakers standard 2MM PVC edge banding, HPL self edge not available.
- Top over end panel construction with 12" high dual support Stretchers.
- Adjustable levelers.
- Ships unassembled.

Albright

Desk Height Parsons Table



Model Number	Width	Length	Height	TFL (T)	HPL (H)
24" Wide					
CN-GR2D-2460-?	24	60	29	\$2,309	\$4,558
CN-GR2D-2466-?	24	66	29	\$2,385	\$4,706
CN-GR2D-2472-?	24	72	29	\$2,456	\$4,848
CN-GR2D-2478-?	24	78	29	\$2,530	\$4,993
CN-GR2D-2484-?	24	84	29	\$2,608	\$5,147
CN-GR2D-2490-?	24	90	29	\$2,814	\$5,553
CN-GR2D-2496-?	24	96	29	\$2,888	\$5,698
CN-GR2D-2402-?	24	102	29	N/A	\$6,400
CN-GR2D-2408-?	24	108	29	N/A	\$6,572
CN-GR2D-2414-?	24	114	29	N/A	\$6,734
CN-GR2D-2420-?	24	120	29	N/A	\$6,891
30" Wide					
CN-GR2D-3060-?	30	60	29	\$2,628	\$5,189
CN-GR2D-3066-?	30	66	29	\$2,721	\$5,371
CN-GR2D-3072-?	30	72	29	\$2,814	\$5,553
CN-GR2D-3078-?	30	78	29	\$2,907	\$5,739
CN-GR2D-3084-?	30	84	29	\$3,003	\$5,926
CN-GR2D-3090-?	30	90	29	\$3,226	\$6,370
CN-GR2D-3096-?	30	96	29	\$3,319	\$6,552
CN-GR2D-3002-?	30	102	29	N/A	\$7,377
CN-GR2D-3008-?	30	108	29	N/A	\$7,584
CN-GR2D-3014-?	30	114	29	N/A	\$7,784
CN-GR2D-3020-?	30	120	29	N/A	\$7,982

- 1-7/8" thick panels are TFL or HPL with Deskmakers standard 2MM PVC edge banding, HPL self edge not available.
- Top over end panel construction with 12" high dual support Stretchers.
- Adjustable levelers.
- Ships unassembled.
- Tables over 96" available in Southern California and/or will call only.

U-Shaped Wire Management Channel



Model Number	Depth	Width	Height	Price
CN-UCHN-GR2D	3	8	15 1/4	\$304

- 3/4" thermofuse laminate material only. Ships with mounting hardware for securing to table base.

Albright

Desk Height Parsons Table



Model Number	Width	Length	Height	TFL (T)	HPL (H)
36" Wide					
CN-GR2D-3660-?	36	60	29	\$2,948	\$5,819
CN-GR2D-3666-?	36	66	29	\$3,062	\$6,045
CN-GR2D-3672-?	36	72	29	\$3,173	\$6,261
CN-GR2D-3678-?	36	78	29	\$3,285	\$6,486
CN-GR2D-3684-?	36	84	29	\$3,398	\$6,707
CN-GR2D-3690-?	36	90	29	\$3,642	\$7,188
CN-GR2D-3696-?	36	96	29	\$3,752	\$7,407
CN-GR2D-3602-?	36	102	29	N/A	\$8,358
CN-GR2D-3608-?	36	108	29	N/A	\$8,595
CN-GR2D-3614-?	36	114	29	N/A	\$8,840
CN-GR2D-3620-?	36	120	29	N/A	\$9,086
42" Wide					
CN-GR2D-4260-?	42	60	29	\$3,271	\$6,455
CN-GR2D-4266-?	42	66	29	\$3,400	\$6,710
CN-GR2D-4272-?	42	72	29	\$3,530	\$6,968
CN-GR2D-4278-?	42	78	29	\$3,661	\$7,228
CN-GR2D-4284-?	42	84	29	\$3,793	\$7,486
CN-GR2D-4290-?	42	90	29	\$4,054	\$8,002
CN-GR2D-4296-?	42	96	29	\$4,185	\$8,260
CN-GR2D-4202-?	42	102	29	N/A	\$9,332
CN-GR2D-4208-?	42	108	29	N/A	\$9,614
CN-GR2D-4214-?	42	114	29	N/A	\$9,890
CN-GR2D-4220-?	42	120	29	N/A	\$10,174

- 1-7/8" thick panels are TFL or HPL with Deskmakers standard 2MM PVC edge banding, HPL self edge not available.
- Top over end panel construction with 12" high dual support Stretchers.
- Adjustable levelers.
- Ships unassembled.
- Tables over 96" available in Southern California and/or will call only.

U-Shaped Wire Management Channel



Model Number	Depth	Width	Height	Price
CN-UCHN-GR2D	3	8	15 1/4	\$304

- 3/4" thermofuse laminate material only. Ships with mounting hardware for securing to table base.

Albright

2-Piece Desk Height Parsons Table



Model Number	Width	Length	Center Leg	Height	TFL (T)	HPL (H)
24" Wide						
CN-G2D2-2402-?	24	102	16	29	\$4,346	\$8,579
CN-G2D2-2408-?	24	108	16	29	\$4,435	\$8,754
CN-G2D2-2414-?	24	114	16	29	\$4,525	\$8,933
CN-G2D2-2420-?	24	120	16	29	\$4,618	\$9,115
CN-G2D2-2426-?	24	126	16	29	\$4,694	\$9,263
CN-G2D2-2432-?	24	132	16	29	\$4,769	\$9,412
CN-G2D2-2438-?	24	138	16	29	\$4,841	\$9,554
CN-G2D2-2444-?	24	144	16	29	\$4,913	\$9,697
CN-G2D2-2450-?	24	150	16	29	\$4,986	\$9,842
CN-G2D2-2456-?	24	156	16	29	\$5,059	\$9,986
CN-G2D2-2462-?	24	162	16	29	\$5,138	\$10,140
CN-G2D2-2468-?	24	168	16	29	\$5,217	\$10,294
CN-G2D2-2474-?	24	174	16	29	\$5,423	\$10,701
CN-G2D2-2480-?	24	180	16	29	\$5,628	\$11,107
CN-G2D2-2486-?	24	186	16	29	\$5,702	\$11,252
CN-G2D2-2492-?	24	192	16	29	\$5,776	\$11,396
30" Wide						
CN-G2D2-3002-?	30	102	18	29	\$4,947	\$9,767
CN-G2D2-3008-?	30	108	18	29	\$5,048	\$9,966
CN-G2D2-3014-?	30	114	18	29	\$5,151	\$10,169
CN-G2D2-3020-?	30	120	18	29	\$5,256	\$10,377
CN-G2D2-3026-?	30	126	18	29	\$5,349	\$10,559
CN-G2D2-3032-?	30	132	18	29	\$5,441	\$10,741
CN-G2D2-3038-?	30	138	18	29	\$5,535	\$10,924
CN-G2D2-3044-?	30	144	18	29	\$5,628	\$11,107
CN-G2D2-3050-?	30	150	18	29	\$5,721	\$11,292
CN-G2D2-3056-?	30	156	18	29	\$5,814	\$11,477
CN-G2D2-3062-?	30	162	18	29	\$5,909	\$11,665
CN-G2D2-3068-?	30	168	18	29	\$6,005	\$11,852
CN-G2D2-3074-?	30	174	18	29	\$6,229	\$12,296
CN-G2D2-3080-?	30	180	18	29	\$6,452	\$12,740
CN-G2D2-3086-?	30	186	18	29	\$6,546	\$12,922
CN-G2D2-3092-?	30	192	18	29	\$6,639	\$13,104

- 1-7/8" thick panels are TFL or HPL with Deskmakers standard 2MM PVC edge banding, HPL self edge not available.
- Top over end panel construction with 12" high dual support Stretchers.
- Adjustable levelers.
- Ships unassembled.

Albright

2-Piece Desk Height Parsons Table



Model Number	Width	Length	Center Leg	Height	TFL (T)	HPL (H)
36" Wide						
CN-G2D2-3602-?	36	102	18	29	\$5,548	\$10,955
CN-G2D2-3608-?	36	108	18	29	\$5,662	\$11,179
CN-G2D2-3614-?	36	114	18	29	\$5,777	\$11,407
CN-G2D2-3620-?	36	120	18	29	\$5,895	\$11,640
CN-G2D2-3626-?	36	126	18	29	\$6,009	\$11,865
CN-G2D2-3632-?	36	132	18	29	\$6,124	\$12,091
CN-G2D2-3638-?	36	138	18	29	\$6,235	\$12,307
CN-G2D2-3644-?	36	144	18	29	\$6,346	\$12,524
CN-G2D2-3650-?	36	150	18	29	\$6,458	\$12,747
CN-G2D2-3656-?	36	156	18	29	\$6,571	\$12,971
CN-G2D2-3662-?	36	162	18	29	\$6,683	\$13,192
CN-G2D2-3668-?	36	168	18	29	\$6,795	\$13,414
CN-G2D2-3674-?	36	174	18	29	\$7,040	\$13,894
CN-G2D2-3680-?	36	180	18	29	\$7,284	\$14,375
CN-G2D2-3686-?	36	186	18	29	\$7,394	\$14,594
CN-G2D2-3692-?	36	192	18	29	\$7,505	\$14,814
42" Wide						
CN-G2D2-4202-?	42	102	21	29	\$6,160	\$12,151
CN-G2D2-4208-?	42	108	21	29	\$6,285	\$12,399
CN-G2D2-4214-?	42	114	21	29	\$6,413	\$12,653
CN-G2D2-4220-?	42	120	21	29	\$6,544	\$12,911
CN-G2D2-4226-?	42	126	21	29	\$6,672	\$13,165
CN-G2D2-4232-?	42	132	21	29	\$6,800	\$13,420
CN-G2D2-4238-?	42	138	21	29	\$6,930	\$13,678
CN-G2D2-4244-?	42	144	21	29	\$7,060	\$13,936
CN-G2D2-4250-?	42	150	21	29	\$7,191	\$14,196
CN-G2D2-4256-?	42	156	21	29	\$7,322	\$14,456
CN-G2D2-4262-?	42	162	21	29	\$7,454	\$14,714
CN-G2D2-4268-?	42	168	21	29	\$7,586	\$14,972
CN-G2D2-4274-?	42	174	21	29	\$7,847	\$15,489
CN-G2D2-4280-?	42	180	21	29	\$8,108	\$16,006
CN-G2D2-4286-?	42	186	21	29	\$8,239	\$16,264
CN-G2D2-4292-?	42	192	21	29	\$8,370	\$16,521

- 1-7/8" thick panels are TFL or HPL with Deskmakers standard 2MM PVC edge banding, HPL self edge not available.
- Top over end panel construction with 12" high dual support Stretchers.
- Adjustable levelers.
- Ships unassembled.

Albright

Counter Height Parsons Table



Model Number	Width	Length	Height	TFL (T)	HPL (H)
24" Wide					
CN-GR2C-2460-?	24	60	36	\$2,348	\$4,694
CN-GR2C-2466-?	24	66	36	\$2,420	\$4,838
CN-GR2C-2472-?	24	72	36	\$2,492	\$4,983
CN-GR2C-2478-?	24	78	36	\$2,566	\$5,128
CN-GR2C-2484-?	24	84	36	\$2,646	\$5,283
CN-GR2C-2490-?	24	90	36	\$2,853	\$5,695
CN-GR2C-2496-?	24	96	36	\$2,924	\$5,833
CN-GR2C-2402-?	24	102	36	N/A	\$6,562
CN-GR2C-2408-?	24	108	36	N/A	\$6,726
CN-GR2C-2414-?	24	114	36	N/A	\$6,890
CN-GR2C-2420-?	24	120	36	N/A	\$7,048
30" Wide					
CN-GR2C-3060-?	30	60	36	\$2,692	\$5,377
CN-GR2C-3066-?	30	66	36	\$2,784	\$5,557
CN-GR2C-3072-?	30	72	36	\$2,877	\$5,741
CN-GR2C-3078-?	30	78	36	\$2,969	\$5,925
CN-GR2C-3084-?	30	84	36	\$3,065	\$6,114
CN-GR2C-3090-?	30	90	36	\$3,291	\$6,558
CN-GR2C-3096-?	30	96	36	\$3,383	\$6,738
CN-GR2C-3002-?	30	102	36	N/A	\$7,594
CN-GR2C-3008-?	30	108	36	N/A	\$7,799
CN-GR2C-3014-?	30	114	36	N/A	\$8,000
CN-GR2C-3020-?	30	120	36	N/A	\$8,200

- 1-7/8" thick panels are TFL or HPL with Deskmakers standard 2MM PVC edge banding, HPL self edge not available.
- Top over end panel construction with 12" high dual support Stretchers.
- Adjustable levelers.
- Ships unassembled.
- Tables over 96" available in Southern California and/or will call only.

U-Shaped Wire Management Channel



Model Number	Depth	Width	Height	Price
CN-UCHN-GR2C	3	8	21 5/8	\$322

- 3/4" thermofuse laminate material only. Ships with mounting hardware for securing to table base.

Albright

Counter Height Parsons Table



Model Number	Width	Length	Height	TFL (T)	HPL (H)
36" Wide					
CN-GR2C-3660-?	36	60	36	\$3,039	\$6,061
CN-GR2C-3666-?	36	66	36	\$3,152	\$6,283
CN-GR2C-3672-?	36	72	36	\$3,261	\$6,501
CN-GR2C-3678-?	36	78	36	\$3,376	\$6,726
CN-GR2C-3684-?	36	84	36	\$3,486	\$6,942
CN-GR2C-3690-?	36	90	36	\$3,732	\$7,429
CN-GR2C-3696-?	36	96	36	\$3,844	\$7,647
CN-GR2C-3602-?	36	102	36	N/A	\$8,631
CN-GR2C-3608-?	36	108	36	N/A	\$8,871
CN-GR2C-3614-?	36	114	36	N/A	\$9,115
CN-GR2C-3620-?	36	120	36	N/A	\$9,352
42" Wide					
CN-GR2C-4260-?	42	60	36	\$3,387	\$6,750
CN-GR2C-4266-?	42	66	36	\$3,516	\$7,003
CN-GR2C-4272-?	42	72	36	\$3,647	\$7,261
CN-GR2C-4278-?	42	78	36	\$3,780	\$7,521
CN-GR2C-4284-?	42	84	36	\$3,911	\$7,779
CN-GR2C-4290-?	42	90	36	\$4,171	\$8,294
CN-GR2C-4296-?	42	96	36	\$4,302	\$8,553
CN-GR2C-4202-?	42	102	36	N/A	\$9,663
CN-GR2C-4208-?	42	108	36	N/A	\$9,947
CN-GR2C-4214-?	42	114	36	N/A	\$10,225
CN-GR2C-4220-?	42	120	36	N/A	\$10,509

- 1-7/8" thick panels are TFL or HPL with Deskmakers standard 2MM PVC edge banding, HPL self edge not available.
- Top over end panel construction with 12" high dual support Stretchers.
- Adjustable levelers.
- Ships unassembled.
- Tables over 96" available in Southern California and/or will call only.

U-Shaped Wire Management Channel



Model Number	Depth	Width	Height	Price
CN-UCHN-GR2C	3	8	21 5/8	\$322

- 3/4" thermofuse laminate material only. Ships with mounting hardware for securing to table base.

Albright

2-Piece Counter Height Parsons Table



Model Number	Width	Length	Center Leg	Height	TFL (T)	HPL (H)
24" Wide						
CN-G2C2-2402-?	24	102	16	36	\$4,419	\$8,837
CN-G2C2-2408-?	24	108	16	36	\$4,508	\$9,017
CN-G2C2-2414-?	24	114	16	36	\$4,601	\$9,201
CN-G2C2-2420-?	24	120	16	36	\$4,695	\$9,389
CN-G2C2-2426-?	24	126	16	36	\$4,767	\$9,531
CN-G2C2-2432-?	24	132	16	36	\$4,840	\$9,676
CN-G2C2-2438-?	24	138	16	36	\$4,912	\$9,821
CN-G2C2-2444-?	24	144	16	36	\$4,984	\$9,965
CN-G2C2-2450-?	24	150	16	36	\$5,058	\$10,111
CN-G2C2-2456-?	24	156	16	36	\$5,131	\$10,256
CN-G2C2-2462-?	24	162	16	36	\$5,211	\$10,411
CN-G2C2-2468-?	24	168	16	36	\$5,292	\$10,566
CN-G2C2-2474-?	24	174	16	36	\$5,498	\$10,978
CN-G2C2-2480-?	24	180	16	36	\$5,705	\$11,390
CN-G2C2-2486-?	24	186	16	36	\$5,776	\$11,528
CN-G2C2-2492-?	24	192	16	36	\$5,847	\$11,667
30" Wide						
CN-G2C2-3002-?	30	102	18	36	\$5,068	\$10,121
CN-G2C2-3008-?	30	108	18	36	\$5,172	\$10,328
CN-G2C2-3014-?	30	114	18	36	\$5,277	\$10,538
CN-G2C2-3020-?	30	120	18	36	\$5,385	\$10,754
CN-G2C2-3026-?	30	126	18	36	\$5,477	\$10,935
CN-G2C2-3032-?	30	132	18	36	\$5,568	\$11,116
CN-G2C2-3038-?	30	138	18	36	\$5,662	\$11,300
CN-G2C2-3044-?	30	144	18	36	\$5,755	\$11,484
CN-G2C2-3050-?	30	150	18	36	\$5,847	\$11,667
CN-G2C2-3056-?	30	156	18	36	\$5,938	\$11,850
CN-G2C2-3062-?	30	162	18	36	\$6,034	\$12,039
CN-G2C2-3068-?	30	168	18	36	\$6,130	\$12,228
CN-G2C2-3074-?	30	174	18	36	\$6,355	\$12,672
CN-G2C2-3080-?	30	180	18	36	\$6,581	\$13,116
CN-G2C2-3086-?	30	186	18	36	\$6,673	\$13,296
CN-G2C2-3092-?	30	192	18	36	\$6,764	\$13,476

- 1-7/8" thick panels are TFL or HPL with Deskmakers standard 2MM PVC edge banding, HPL self edge not available.
- Top over end panel construction with 12" high dual support Stretchers.
- Adjustable levelers.
- Ships unassembled.

Albright

2-Piece Counter Height Parsons Table



Model Number	Width	Length	Center Leg	Height	TFL (T)	HPL (H)
36" Wide						
CN-G2C2-3602-?	36	102	18	36	\$5,720	\$11,410
CN-G2C2-3608-?	36	108	18	36	\$5,838	\$11,642
CN-G2C2-3614-?	36	114	18	36	\$5,956	\$11,880
CN-G2C2-3620-?	36	120	18	36	\$6,078	\$12,122
CN-G2C2-3626-?	36	126	18	36	\$6,191	\$12,345
CN-G2C2-3632-?	36	132	18	36	\$6,304	\$12,567
CN-G2C2-3638-?	36	138	18	36	\$6,414	\$12,785
CN-G2C2-3644-?	36	144	18	36	\$6,523	\$13,002
CN-G2C2-3650-?	36	150	18	36	\$6,638	\$13,227
CN-G2C2-3656-?	36	156	18	36	\$6,754	\$13,451
CN-G2C2-3662-?	36	162	18	36	\$6,862	\$13,668
CN-G2C2-3668-?	36	168	18	36	\$6,970	\$13,884
CN-G2C2-3674-?	36	174	18	36	\$7,217	\$14,371
CN-G2C2-3680-?	36	180	18	36	\$7,463	\$14,857
CN-G2C2-3686-?	36	186	18	36	\$7,575	\$15,076
CN-G2C2-3692-?	36	192	18	36	\$7,688	\$15,294
42" Wide						
CN-G2C2-4202-?	42	102	21	36	\$6,376	\$12,706
CN-G2C2-4208-?	42	108	21	36	\$6,506	\$12,965
CN-G2C2-4214-?	42	114	21	36	\$6,639	\$13,229
CN-G2C2-4220-?	42	120	21	36	\$6,775	\$13,499
CN-G2C2-4226-?	42	126	21	36	\$6,904	\$13,753
CN-G2C2-4232-?	42	132	21	36	\$7,032	\$14,007
CN-G2C2-4238-?	42	138	21	36	\$7,164	\$14,265
CN-G2C2-4244-?	42	144	21	36	\$7,295	\$14,523
CN-G2C2-4250-?	42	150	21	36	\$7,427	\$14,783
CN-G2C2-4256-?	42	156	21	36	\$7,559	\$15,043
CN-G2C2-4262-?	42	162	21	36	\$7,691	\$15,300
CN-G2C2-4268-?	42	168	21	36	\$7,823	\$15,558
CN-G2C2-4274-?	42	174	21	36	\$8,083	\$16,073
CN-G2C2-4280-?	42	180	21	36	\$8,343	\$16,588
CN-G2C2-4286-?	42	186	21	36	\$8,474	\$16,848
CN-G2C2-4292-?	42	192	21	36	\$8,605	\$17,108

- 1-7/8" thick panels are TFL or HPL with Deskmakers standard 2MM PVC edge banding, HPL self edge not available.
- Top over end panel construction with 12" high dual support Stretchers.
- Adjustable levelers.
- Ships unassembled.

Albright

Bar Height Parsons Table



Model Number	Width	Length	Height	TFL (T)	HPL (H)
24" Wide					
CN-GR2S-2460-?	24	60	42	\$2,443	\$4,819
CN-GR2S-2466-?	24	66	42	\$2,515	\$4,963
CN-GR2S-2472-?	24	72	42	\$2,587	\$5,108
CN-GR2S-2478-?	24	78	42	\$2,661	\$5,253
CN-GR2S-2484-?	24	84	42	\$2,740	\$5,408
CN-GR2S-2490-?	24	90	42	\$2,948	\$5,819
CN-GR2S-2496-?	24	96	42	\$3,019	\$5,958
CN-GR2S-2402-?	24	102	42	N/A	\$6,686
CN-GR2S-2408-?	24	108	42	N/A	\$6,851
CN-GR2S-2414-?	24	114	42	N/A	\$7,015
CN-GR2S-2420-?	24	120	42	N/A	\$7,172
30" Wide					
CN-GR2S-3060-?	30	60	42	\$2,787	\$5,502
CN-GR2S-3066-?	30	66	42	\$2,879	\$5,682
CN-GR2S-3072-?	30	72	42	\$2,972	\$5,866
CN-GR2S-3078-?	30	78	42	\$3,064	\$6,050
CN-GR2S-3084-?	30	84	42	\$3,160	\$6,239
CN-GR2S-3090-?	30	90	42	\$3,385	\$6,683
CN-GR2S-3096-?	30	96	42	\$3,477	\$6,863
CN-GR2S-3002-?	30	102	42	N/A	\$7,718
CN-GR2S-3008-?	30	108	42	N/A	\$7,923
CN-GR2S-3014-?	30	114	42	N/A	\$8,125
CN-GR2S-3020-?	30	120	42	N/A	\$8,324

- 1-7/8" thick panels are TFL or HPL with Deskmakers standard 2MM PVC edge banding, HPL self edge not available.
- Top over end panel construction with 12" high dual support Stretchers.
- Adjustable levelers.
- Ships unassembled.
- Tables over 96" available in Southern California and/or will call only.

U-Shaped Wire Management Channel



Model Number	Depth	Width	Height	Price
CN-UCHN-GR2S	3	8	28 1/4	\$342

- 3/4" thermofuse laminate material only. Ships with mounting hardware for securing to table base.

Albright

Bar Height Parsons Table



Model Number	Width	Length	Height	TFL (T)	HPL (H)
36" Wide					
CN-GR2S-3660-?	36	60	42	\$3,134	\$6,186
CN-GR2S-3666-?	36	66	42	\$3,247	\$6,408
CN-GR2S-3672-?	36	72	42	\$3,356	\$6,626
CN-GR2S-3678-?	36	78	42	\$3,471	\$6,850
CN-GR2S-3684-?	36	84	42	\$3,580	\$7,067
CN-GR2S-3690-?	36	90	42	\$3,827	\$7,554
CN-GR2S-3696-?	36	96	42	\$3,938	\$7,772
CN-GR2S-3602-?	36	102	42	N/A	\$8,756
CN-GR2S-3608-?	36	108	42	N/A	\$8,996
CN-GR2S-3614-?	36	114	42	N/A	\$9,240
CN-GR2S-3620-?	36	120	42	N/A	\$9,477
42" Wide					
CN-GR2S-4260-?	42	60	42	\$3,482	\$6,875
CN-GR2S-4266-?	42	66	42	\$3,611	\$7,128
CN-GR2S-4272-?	42	72	42	\$3,742	\$7,386
CN-GR2S-4278-?	42	78	42	\$3,875	\$7,646
CN-GR2S-4284-?	42	84	42	\$4,006	\$7,904
CN-GR2S-4290-?	42	90	42	\$4,266	\$8,419
CN-GR2S-4296-?	42	96	42	\$4,397	\$8,678
CN-GR2S-4202-?	42	102	42	N/A	\$9,788
CN-GR2S-4208-?	42	108	42	N/A	\$10,072
CN-GR2S-4214-?	42	114	42	N/A	\$10,349
CN-GR2S-4220-?	42	120	42	N/A	\$10,634

- 1-7/8" thick panels are TFL or HPL with Deskmakers standard 2MM PVC edge banding, HPL self edge not available.
- Top over end panel construction with 12" high dual support Stretchers.
- Adjustable levelers.
- Ships unassembled.
- Tables over 96" available in Southern California and/or will call only.

U-Shaped Wire Management Channel



Model Number	Depth	Width	Height	Price
CN-UCHN-GR2S	3	8	28 1/4	\$342

- 3/4" thermofuse laminate material only. Ships with mounting hardware for securing to table base.

Albright

2-Piece Bar Height Parsons Table



Model Number	Width	Length	Center Leg	Height	TFL (T)	HPL (H)
24" Wide						
CN-G2S2-2402-?	24	102	16	42	\$4,599	\$9,072
CN-G2S2-2408-?	24	108	16	42	\$4,692	\$9,257
CN-G2S2-2414-?	24	114	16	42	\$4,788	\$9,446
CN-G2S2-2420-?	24	120	16	42	\$4,886	\$9,639
CN-G2S2-2426-?	24	126	16	42	\$4,958	\$9,782
CN-G2S2-2432-?	24	132	16	42	\$5,029	\$9,926
CN-G2S2-2438-?	24	138	16	42	\$5,102	\$10,070
CN-G2S2-2444-?	24	144	16	42	\$5,175	\$10,215
CN-G2S2-2450-?	24	150	16	42	\$5,248	\$10,360
CN-G2S2-2456-?	24	156	16	42	\$5,321	\$10,506
CN-G2S2-2462-?	24	162	16	42	\$5,401	\$10,661
CN-G2S2-2468-?	24	168	16	42	\$5,481	\$10,816
CN-G2S2-2474-?	24	174	16	42	\$5,688	\$11,228
CN-G2S2-2480-?	24	180	16	42	\$5,895	\$11,640
CN-G2S2-2486-?	24	186	16	42	\$5,966	\$11,778
CN-G2S2-2492-?	24	192	16	42	\$6,038	\$11,916
30" Wide						
CN-G2S2-3002-?	30	102	18	42	\$5,250	\$10,356
CN-G2S2-3008-?	30	108	18	42	\$5,354	\$10,567
CN-G2S2-3014-?	30	114	18	42	\$5,463	\$10,783
CN-G2S2-3020-?	30	120	18	42	\$5,574	\$11,003
CN-G2S2-3026-?	30	126	18	42	\$5,666	\$11,184
CN-G2S2-3032-?	30	132	18	42	\$5,757	\$11,365
CN-G2S2-3038-?	30	138	18	42	\$5,851	\$11,549
CN-G2S2-3044-?	30	144	18	42	\$5,945	\$11,733
CN-G2S2-3050-?	30	150	18	42	\$6,036	\$11,916
CN-G2S2-3056-?	30	156	18	42	\$6,128	\$12,099
CN-G2S2-3062-?	30	162	18	42	\$6,223	\$12,289
CN-G2S2-3068-?	30	168	18	42	\$6,319	\$12,478
CN-G2S2-3074-?	30	174	18	42	\$6,545	\$12,922
CN-G2S2-3080-?	30	180	18	42	\$6,770	\$13,366
CN-G2S2-3086-?	30	186	18	42	\$6,863	\$13,546
CN-G2S2-3092-?	30	192	18	42	\$6,956	\$13,726

- 1-7/8" thick panels are TFL or HPL with Deskmakers standard 2MM PVC edge banding, HPL self edge not available.
- Top over end panel construction with 12" high dual support Stretchers.
- Adjustable levelers.
- Ships unassembled.

Albright

2-Piece Bar Height Parsons Table



Model Number	Width	Length	Center Leg	Height	TFL (T)	HPL (H)
36" Wide						
CN-G2S2-3602-?	36	102	18	42	\$5,901	\$11,644
CN-G2S2-3608-?	36	108	18	42	\$6,021	\$11,882
CN-G2S2-3614-?	36	114	18	42	\$6,143	\$12,124
CN-G2S2-3620-?	36	120	18	42	\$6,269	\$12,372
CN-G2S2-3626-?	36	126	18	42	\$6,381	\$12,594
CN-G2S2-3632-?	36	132	18	42	\$6,494	\$12,817
CN-G2S2-3638-?	36	138	18	42	\$6,603	\$13,034
CN-G2S2-3644-?	36	144	18	42	\$6,712	\$13,252
CN-G2S2-3650-?	36	150	18	42	\$6,828	\$13,476
CN-G2S2-3656-?	36	156	18	42	\$6,943	\$13,701
CN-G2S2-3662-?	36	162	18	42	\$7,052	\$13,917
CN-G2S2-3668-?	36	168	18	42	\$7,161	\$14,134
CN-G2S2-3674-?	36	174	18	42	\$7,408	\$14,620
CN-G2S2-3680-?	36	180	18	42	\$7,654	\$15,107
CN-G2S2-3686-?	36	186	18	42	\$7,766	\$15,325
CN-G2S2-3692-?	36	192	18	42	\$7,877	\$15,544
42" Wide						
CN-G2S2-4202-?	42	102	21	42	\$6,554	\$12,941
CN-G2S2-4208-?	42	108	21	42	\$6,688	\$13,204
CN-G2S2-4214-?	42	114	21	42	\$6,824	\$13,474
CN-G2S2-4220-?	42	120	21	42	\$6,964	\$13,749
CN-G2S2-4226-?	42	126	21	42	\$7,093	\$14,003
CN-G2S2-4232-?	42	132	21	42	\$7,222	\$14,256
CN-G2S2-4238-?	42	138	21	42	\$7,353	\$14,514
CN-G2S2-4244-?	42	144	21	42	\$7,484	\$14,772
CN-G2S2-4250-?	42	150	21	42	\$7,617	\$15,032
CN-G2S2-4256-?	42	156	21	42	\$7,750	\$15,292
CN-G2S2-4262-?	42	162	21	42	\$7,881	\$15,550
CN-G2S2-4268-?	42	168	21	42	\$8,012	\$15,808
CN-G2S2-4274-?	42	174	21	42	\$8,272	\$16,323
CN-G2S2-4280-?	42	180	21	42	\$8,532	\$16,838
CN-G2S2-4286-?	42	186	21	42	\$8,663	\$17,098
CN-G2S2-4292-?	42	192	21	42	\$8,794	\$17,358

- 1-7/8" thick panels are TFL or HPL with Deskmakers standard 2MM PVC edge banding, HPL self edge not available.
- Top over end panel construction with 12" high dual support Stretchers.
- Adjustable levelers.
- Ships unassembled.

Chapala

Desk Height Parsons Table



Model Number	Width	Length	Height	TFL (T)	HPL (H)
24" Wide					
CN-GR3D-2460-H	24	60	29	N/A	\$7,023
CN-GR3D-2466-H	24	66	29	N/A	\$7,207
CN-GR3D-2472-H	24	72	29	N/A	\$7,321
CN-GR3D-2478-H	24	78	29	N/A	\$7,507
CN-GR3D-2484-H	24	84	29	N/A	\$7,622
CN-GR3D-2490-H	24	90	29	N/A	\$7,804
CN-GR3D-2496-H	24	96	29	N/A	\$7,922
CN-GR3D-2402-H	24	102	29	N/A	\$8,876
CN-GR3D-2408-H	24	108	29	N/A	\$8,999
CN-GR3D-2414-H	24	114	29	N/A	\$9,204
CN-GR3D-2420-H	24	120	29	N/A	\$9,328
30" Wide					
CN-GR3D-3060-H	30	60	29	N/A	\$7,292
CN-GR3D-3066-H	30	66	29	N/A	\$7,486
CN-GR3D-3072-H	30	72	29	N/A	\$7,609
CN-GR3D-3078-H	30	78	29	N/A	\$7,805
CN-GR3D-3084-H	30	84	29	N/A	\$7,930
CN-GR3D-3090-H	30	90	29	N/A	\$8,123
CN-GR3D-3096-H	30	96	29	N/A	\$8,249
CN-GR3D-3002-H	30	102	29	N/A	\$9,247
CN-GR3D-3008-H	30	108	29	N/A	\$9,381
CN-GR3D-3014-H	30	114	29	N/A	\$9,597
CN-GR3D-3020-H	30	120	29	N/A	\$9,733

- 3" thick panels in HPL with HPL self edge; TFL not available.
- Mitered corner construction with concealed metal support frame.
- Adjustable levelers.
- Ships fully assembled.
- Tables over 96" available in Southern California and/or will call only.
- 6" high heavy duty casters can be added to Chapala and Haverford parsons tables. The overall height does not change. To add casters, add OP-CAST-PRSN-4 for \$1067 for 4 locking casters.

Removable Access Panel



Model Number	Width	Height	Price
CN-ACPL-29	10	26	\$417

- Price is for one removable access panel on one end of table.
- Removable panel is 3/4" material.

Chapala

Desk Height Parsons Table



Model Number	Width	Length	Height	TFL (T)	HPL (H)
36" Wide					
CN-GR3D-3660-H	36	60	29	N/A	\$7,560
CN-GR3D-3666-H	36	66	29	N/A	\$7,765
CN-GR3D-3672-H	36	72	29	N/A	\$7,899
CN-GR3D-3678-H	36	78	29	N/A	\$8,104
CN-GR3D-3684-H	36	84	29	N/A	\$8,238
CN-GR3D-3690-H	36	90	29	N/A	\$8,443
CN-GR3D-3696-H	36	96	29	N/A	\$8,577
CN-GR3D-3602-H	36	102	29	N/A	\$9,616
CN-GR3D-3608-H	36	108	29	N/A	\$9,765
CN-GR3D-3614-H	36	114	29	N/A	\$9,987
CN-GR3D-3620-H	36	120	29	N/A	\$10,136
42" Wide					
CN-GR3D-4260-H	42	60	29	N/A	\$7,833
CN-GR3D-4266-H	42	66	29	N/A	\$8,044
CN-GR3D-4272-H	42	72	29	N/A	\$8,189
CN-GR3D-4278-H	42	78	29	N/A	\$8,404
CN-GR3D-4284-H	42	84	29	N/A	\$8,548
CN-GR3D-4290-H	42	90	29	N/A	\$8,762
CN-GR3D-4296-H	42	96	29	N/A	\$8,906
CN-GR3D-4202-H	42	102	29	N/A	\$9,987
CN-GR3D-4208-H	42	108	29	N/A	\$10,146
CN-GR3D-4214-H	42	114	29	N/A	\$10,379
CN-GR3D-4220-H	42	120	29	N/A	\$10,538

- 3" thick panels in HPL with HPL self edge; TFL not available.
- Mitered corner construction with concealed metal support frame.
- Adjustable levelers.
- Ships fully assembled.
- Tables over 96" available in Southern California and/or will call only.
- 6" high heavy duty casters can be added to Chapala and Haverford parsons tables. The overall height does not change. To add casters, add OP-CAST-PRSN-4 for \$1067 for 4 locking casters.

Removable Access Panel



Model Number	Width	Height	Price
CN-ACPL-29	10	26	\$417

- Price is for one removable access panel on one end of table.
- Removable panel is 3/4" material.

Chapala

2-Piece Desk Height Parsons Table



Model Number	Width	Length	Center Leg	Height	TFL (T)	HPL (H)
24" Wide						
CN-G3D2-2402-?	24	102	16	29	N/A	\$13,220
CN-G3D2-2408-?	24	108	16	29	N/A	\$13,490
CN-G3D2-2414-?	24	114	16	29	N/A	\$13,765
CN-G3D2-2420-?	24	120	16	29	N/A	\$14,046
CN-G3D2-2426-?	24	126	16	29	N/A	\$14,230
CN-G3D2-2432-?	24	132	16	29	N/A	\$14,414
CN-G3D2-2438-?	24	138	16	29	N/A	\$14,217
CN-G3D2-2444-?	24	144	16	29	N/A	\$14,828
CN-G3D2-2450-?	24	150	16	29	N/A	\$14,921
CN-G3D2-2456-?	24	156	16	29	N/A	\$15,013
CN-G3D2-2462-?	24	162	16	29	N/A	\$15,128
CN-G3D2-2468-?	24	168	16	29	N/A	\$15,242
CN-G3D2-2474-?	24	174	16	29	N/A	\$15,425
CN-G3D2-2480-?	24	180	16	29	N/A	\$15,608
CN-G3D2-2486-?	24	186	16	29	N/A	\$15,726
CN-G3D2-2492-?	24	192	16	29	N/A	\$15,843
30" Wide						
CN-G3D2-3002-?	30	102	18	29	N/A	\$13,727
CN-G3D2-3008-?	30	108	18	29	N/A	\$14,008
CN-G3D2-3014-?	30	114	18	29	N/A	\$14,294
CN-G3D2-3020-?	30	120	18	29	N/A	\$14,585
CN-G3D2-3026-?	30	126	18	29	N/A	\$14,778
CN-G3D2-3032-?	30	132	18	29	N/A	\$14,972
CN-G3D2-3038-?	30	138	18	29	N/A	\$15,095
CN-G3D2-3044-?	30	144	18	29	N/A	\$15,217
CN-G3D2-3050-?	30	150	18	29	N/A	\$15,414
CN-G3D2-3056-?	30	156	18	29	N/A	\$15,610
CN-G3D2-3062-?	30	162	18	29	N/A	\$15,735
CN-G3D2-3068-?	30	168	18	29	N/A	\$15,860
CN-G3D2-3074-?	30	174	18	29	N/A	\$16,053
CN-G3D2-3080-?	30	180	18	29	N/A	\$16,247
CN-G3D2-3086-?	30	186	18	29	N/A	\$16,373
CN-G3D2-3092-?	30	192	18	29	N/A	\$16,499

- 3" thick panels in HPL with HPL self edge; TFL not available.
- Mitered corner construction with concealed metal support frame.
- Adjustable levelers.
- Ships partially assembled, in 3 sections.
- 6" high heavy duty casters can be added to Chapala and Haverford parsons tables. The overall height does not change. To add casters, add OP-CAST-PRSN-6 for \$1601 for 6 locking casters.

Chapala

2-Piece Desk Height Parsons Table



Model Number	Width	Length	Center Leg	Height	TFL (T)	HPL (H)
36" Wide						
CN-G3D2-3602-?	36	102	18	29	N/A	\$14,230
CN-G3D2-3608-?	36	108	18	29	N/A	\$14,520
CN-G3D2-3614-?	36	114	18	29	N/A	\$14,817
CN-G3D2-3620-?	36	120	18	29	N/A	\$15,120
CN-G3D2-3626-?	36	126	18	29	N/A	\$15,324
CN-G3D2-3632-?	36	132	18	29	N/A	\$15,529
CN-G3D2-3638-?	36	138	18	29	N/A	\$15,695
CN-G3D2-3644-?	36	144	18	29	N/A	\$15,798
CN-G3D2-3650-?	36	150	18	29	N/A	\$16,002
CN-G3D2-3656-?	36	156	18	29	N/A	\$16,207
CN-G3D2-3662-?	36	162	18	29	N/A	\$16,342
CN-G3D2-3668-?	36	168	18	29	N/A	\$16,476
CN-G3D2-3674-?	36	174	18	29	N/A	\$16,681
CN-G3D2-3680-?	36	180	18	29	N/A	\$16,885
CN-G3D2-3686-?	36	186	18	29	N/A	\$17,020
CN-G3D2-3692-?	36	192	18	29	N/A	\$17,154
42" Wide						
CN-G3D2-4202-?	42	102	21	29	N/A	\$14,745
CN-G3D2-4208-?	42	108	21	29	N/A	\$15,047
CN-G3D2-4214-?	42	114	21	29	N/A	\$15,354
CN-G3D2-4220-?	42	120	21	29	N/A	\$15,667
CN-G3D2-4226-?	42	126	21	29	N/A	\$15,878
CN-G3D2-4232-?	42	132	21	29	N/A	\$16,089
CN-G3D2-4238-?	42	138	21	29	N/A	\$16,233
CN-G3D2-4244-?	42	144	21	29	N/A	\$16,378
CN-G3D2-4250-?	42	150	21	29	N/A	\$16,593
CN-G3D2-4256-?	42	156	21	29	N/A	\$16,808
CN-G3D2-4262-?	42	162	21	29	N/A	\$16,952
CN-G3D2-4268-?	42	168	21	29	N/A	\$17,096
CN-G3D2-4274-?	42	174	21	29	N/A	\$17,310
CN-G3D2-4280-?	42	180	21	29	N/A	\$17,524
CN-G3D2-4286-?	42	186	21	29	N/A	\$17,668
CN-G3D2-4292-?	42	192	21	29	N/A	\$17,811

- 3" thick panels in HPL with HPL self edge; TFL not available.
- Mitered corner construction with concealed metal support frame.
- Adjustable levelers.
- Ships partially assembled, in 3 sections.
- 6" high heavy duty casters can be added to Chapala and Haverford parsons tables. The overall height does not change. To add casters, add OP-CAST-PRSN-6 for \$1601 for 6 locking casters.

Chapala

Counter Height Parsons Table



Model Number	Width	Length	Height	TFL (T)	HPL (H)
24" Wide					
CN-GR3C-2460-H	24	60	36	N/A	\$7,355
CN-GR3C-2466-H	24	66	36	N/A	\$7,540
CN-GR3C-2472-H	24	72	36	N/A	\$7,655
CN-GR3C-2478-H	24	78	36	N/A	\$7,840
CN-GR3C-2484-H	24	84	36	N/A	\$7,953
CN-GR3C-2490-H	24	90	36	N/A	\$8,139
CN-GR3C-2496-H	24	96	36	N/A	\$8,253
CN-GR3C-2402-H	24	102	36	N/A	\$9,251
CN-GR3C-2408-H	24	108	36	N/A	\$9,380
CN-GR3C-2414-H	24	114	36	N/A	\$9,590
CN-GR3C-2420-H	24	120	36	N/A	\$9,705
30" Wide					
CN-GR3C-3060-H	30	60	36	N/A	\$7,666
CN-GR3C-3066-H	30	66	36	N/A	\$7,858
CN-GR3C-3072-H	30	72	36	N/A	\$7,984
CN-GR3C-3078-H	30	78	36	N/A	\$8,178
CN-GR3C-3084-H	30	84	36	N/A	\$8,302
CN-GR3C-3090-H	30	90	36	N/A	\$8,499
CN-GR3C-3096-H	30	96	36	N/A	\$8,620
CN-GR3C-3002-H	30	102	36	N/A	\$9,666
CN-GR3C-3008-H	30	108	36	N/A	\$9,804
CN-GR3C-3014-H	30	114	36	N/A	\$10,021
CN-GR3C-3020-H	30	120	36	N/A	\$10,152

- 3" thick panels in HPL with HPL self edge; TFL not available.
- Mitered corner construction with concealed metal support frame.
- Adjustable levelers.
- Ships fully assembled.
- Tables over 96" available in Southern California and/or will call only.
- 6" high heavy duty casters can be added to Chapala and Haverford parsons tables. The overall height does not change. To add casters, add OP-CAST-PRSN-4 for \$1067 for 4 locking casters.

Removable Access Panel



Model Number	Width	Height	Price
CN-ACPL-36	10	32	\$437

- Price is for one removable access panel on one end of table.
- Removable panel is 3/4" material.

Chapala

Counter Height Parsons Table



Model Number	Width	Length	Height	TFL (T)	HPL (H)
36" Wide					
CN-GR3C-3660-H	36	60	36	N/A	\$7,974
CN-GR3C-3666-H	36	66	36	N/A	\$8,178
CN-GR3C-3672-H	36	72	36	N/A	\$8,311
CN-GR3C-3678-H	36	78	36	N/A	\$8,516
CN-GR3C-3684-H	36	84	36	N/A	\$8,650
CN-GR3C-3690-H	36	90	36	N/A	\$8,855
CN-GR3C-3696-H	36	96	36	N/A	\$8,989
CN-GR3C-3602-H	36	102	36	N/A	\$10,081
CN-GR3C-3608-H	36	108	36	N/A	\$10,228
CN-GR3C-3614-H	36	114	36	N/A	\$10,451
CN-GR3C-3620-H	36	120	36	N/A	\$10,597
42" Wide					
CN-GR3C-4260-H	42	60	36	N/A	\$8,282
CN-GR3C-4266-H	42	66	36	N/A	\$8,499
CN-GR3C-4272-H	42	72	36	N/A	\$8,642
CN-GR3C-4278-H	42	78	36	N/A	\$8,855
CN-GR3C-4284-H	42	84	36	N/A	\$9,000
CN-GR3C-4290-H	42	90	36	N/A	\$9,213
CN-GR3C-4296-H	42	96	36	N/A	\$9,357
CN-GR3C-4202-H	42	102	36	N/A	\$10,495
CN-GR3C-4208-H	42	108	36	N/A	\$10,654
CN-GR3C-4214-H	42	114	36	N/A	\$10,887
CN-GR3C-4220-H	42	120	36	N/A	\$11,046

- 3" thick panels in HPL with HPL self edge; TFL not available.
- Mitered corner construction with concealed metal support frame.
- Adjustable levelers.
- Ships fully assembled.
- Tables over 96" available in Southern California and/or will call only.
- 6" high heavy duty casters can be added to Chapala and Haverford parsons tables. The overall height does not change. To add casters, add OP-CAST-PRSN-4 for \$1067 for 4 locking casters.

Removable Access Panel



Model Number	Width	Height	Price
CN-ACPL-36	10	32	\$437

- Price is for one removable access panel on one end of table.
- Removable panel is 3/4" material.

Chapala

2-Piece Counter Height Parsons Table



Model Number	Width	Length	Center Leg	Height	TFL (T)	HPL (H)
24" Wide						
CN-G3C2-2402-?	24	102	16	36	N/A	\$13,844
CN-G3C2-2408-?	24	108	16	36	N/A	\$14,127
CN-G3C2-2414-?	24	114	16	36	N/A	\$14,415
CN-G3C2-2420-?	24	120	16	36	N/A	\$14,710
CN-G3C2-2426-?	24	126	16	36	N/A	\$14,895
CN-G3C2-2432-?	24	132	16	36	N/A	\$15,080
CN-G3C2-2438-?	24	138	16	36	N/A	\$15,194
CN-G3C2-2444-?	24	144	16	36	N/A	\$15,309
CN-G3C2-2450-?	24	150	16	36	N/A	\$15,495
CN-G3C2-2456-?	24	156	16	36	N/A	\$15,681
CN-G3C2-2462-?	24	162	16	36	N/A	\$15,793
CN-G3C2-2468-?	24	168	16	36	N/A	\$15,906
CN-G3C2-2474-?	24	174	16	36	N/A	\$16,092
CN-G3C2-2480-?	24	180	16	36	N/A	\$16,278
CN-G3C2-2486-?	24	186	16	36	N/A	\$16,392
CN-G3C2-2492-?	24	192	16	36	N/A	\$16,507
30" Wide						
CN-G3C2-3002-?	30	102	18	36	N/A	\$14,430
CN-G3C2-3008-?	30	108	18	36	N/A	\$14,724
CN-G3C2-3014-?	30	114	18	36	N/A	\$15,025
CN-G3C2-3020-?	30	120	18	36	N/A	\$15,332
CN-G3C2-3026-?	30	126	18	36	N/A	\$15,524
CN-G3C2-3032-?	30	132	18	36	N/A	\$15,716
CN-G3C2-3038-?	30	138	18	36	N/A	\$15,842
CN-G3C2-3044-?	30	144	18	36	N/A	\$15,968
CN-G3C2-3050-?	30	150	18	36	N/A	\$16,162
CN-G3C2-3056-?	30	156	18	36	N/A	\$16,355
CN-G3C2-3062-?	30	162	18	36	N/A	\$16,480
CN-G3C2-3068-?	30	168	18	36	N/A	\$16,605
CN-G3C2-3074-?	30	174	18	36	N/A	\$16,801
CN-G3C2-3080-?	30	180	18	36	N/A	\$16,998
CN-G3C2-3086-?	30	186	18	36	N/A	\$17,118
CN-G3C2-3092-?	30	192	18	36	N/A	\$17,239

- 3" thick panels in HPL with HPL self edge; TFL not available.
- Mitered corner construction with concealed metal support frame.
- Adjustable levelers.
- Ships partially assembled, in 3 sections.
- 6" high heavy duty casters can be added to Chapala and Haverford parsons tables. The overall height does not change. To add casters, add OP-CAST-PRSN-6 for \$1601 for 6 locking casters.

Chapala

2-Piece Counter Height Parsons Table



Model Number	Width	Length	Center Leg	Height	TFL (T)	HPL (H)
36" Wide						
CN-G3C2-3602-?	36	102	18	36	N/A	\$15,011
CN-G3C2-3608-?	36	108	18	36	N/A	\$15,318
CN-G3C2-3614-?	36	114	18	36	N/A	\$15,630
CN-G3C2-3620-?	36	120	18	36	N/A	\$15,949
CN-G3C2-3626-?	36	126	18	36	N/A	\$32,304
CN-G3C2-3632-?	36	132	18	36	N/A	\$16,355
CN-G3C2-3638-?	36	138	18	36	N/A	\$16,489
CN-G3C2-3644-?	36	144	18	36	N/A	\$16,623
CN-G3C2-3650-?	36	150	18	36	N/A	\$16,828
CN-G3C2-3656-?	36	156	18	36	N/A	\$17,033
CN-G3C2-3662-?	36	162	18	36	N/A	\$17,167
CN-G3C2-3668-?	36	168	18	36	N/A	\$17,301
CN-G3C2-3674-?	36	174	18	36	N/A	\$17,506
CN-G3C2-3680-?	36	180	18	36	N/A	\$17,711
CN-G3C2-3686-?	36	186	18	36	N/A	\$17,844
CN-G3C2-3692-?	36	192	18	36	N/A	\$17,977
42" Wide						
CN-G3C2-4202-?	42	102	21	36	N/A	\$15,591
CN-G3C2-4208-?	42	108	21	36	N/A	\$15,909
CN-G3C2-4214-?	42	114	21	36	N/A	\$16,233
CN-G3C2-4220-?	42	120	21	36	N/A	\$16,565
CN-G3C2-4226-?	42	126	21	36	N/A	\$16,781
CN-G3C2-4232-?	42	132	21	36	N/A	\$16,998
CN-G3C2-4238-?	42	138	21	36	N/A	\$17,141
CN-G3C2-4244-?	42	144	21	36	N/A	\$17,285
CN-G3C2-4250-?	42	150	21	36	N/A	\$17,498
CN-G3C2-4256-?	42	156	21	36	N/A	\$17,711
CN-G3C2-4262-?	42	162	21	36	N/A	\$17,856
CN-G3C2-4268-?	42	168	21	36	N/A	\$18,000
CN-G3C2-4274-?	42	174	21	36	N/A	\$18,214
CN-G3C2-4280-?	42	180	21	36	N/A	\$18,427
CN-G3C2-4286-?	42	186	21	36	N/A	\$18,570
CN-G3C2-4292-?	42	192	21	36	N/A	\$18,714

- 3" thick panels in HPL with HPL self edge; TFL not available.
- Mitered corner construction with concealed metal support frame.
- Adjustable levelers.
- Ships partially assembled, in 3 sections.
- 6" high heavy duty casters can be added to Chapala and Haverford parsons tables. The overall height does not change. To add casters, add OP-CAST-PRSN-6 for \$1601 for 6 locking casters.

Chapala

Bar Height Parsons Table



Model Number	Width	Length	Height	TFL (T)	HPL (H)
24" Wide					
CN-GR3S-2460-H	24	60	42	N/A	\$7,480
CN-GR3S-2466-H	24	66	42	N/A	\$7,665
CN-GR3S-2472-H	24	72	42	N/A	\$7,780
CN-GR3S-2478-H	24	78	42	N/A	\$7,965
CN-GR3S-2484-H	24	84	42	N/A	\$8,078
CN-GR3S-2490-H	24	90	42	N/A	\$8,264
CN-GR3S-2496-H	24	96	42	N/A	\$8,378
CN-GR3S-2402-H	24	102	42	N/A	\$9,376
CN-GR3S-2408-H	24	108	42	N/A	\$9,505
CN-GR3S-2414-H	24	114	42	N/A	\$9,715
CN-GR3S-2420-H	24	120	42	N/A	\$9,830
30" Wide					
CN-GR3S-3060-H	30	60	42	N/A	\$7,791
CN-GR3S-3066-H	30	66	42	N/A	\$7,983
CN-GR3S-3072-H	30	72	42	N/A	\$8,109
CN-GR3S-3078-H	30	78	42	N/A	\$8,302
CN-GR3S-3084-H	30	84	42	N/A	\$8,427
CN-GR3S-3090-H	30	90	42	N/A	\$8,623
CN-GR3S-3096-H	30	96	42	N/A	\$8,744
CN-GR3S-3002-H	30	102	42	N/A	\$9,791
CN-GR3S-3008-H	30	108	42	N/A	\$9,929
CN-GR3S-3014-H	30	114	42	N/A	\$10,146
CN-GR3S-3020-H	30	120	42	N/A	\$10,277

- 3" thick panels in HPL with HPL self edge; TFL not available.
- Mitered corner construction with concealed metal support frame.
- Adjustable levelers.
- Ships fully assembled.
- Tables over 96" available in Southern California and/or will call only.
- 6" high heavy duty casters can be added to Chapala and Haverford parsons tables. The overall height does not change. To add casters, add OP-CAST-PRSN-4 for \$1067 for 4 locking casters.

Removable Access Panel



Model Number	Width	Height	Price
CN-ACPL-42	10	38	\$455

- Price is for one removable access panel on one end of table.
- Removable panel is 3/4" material.

Chapala

Bar Height Parsons Table



Model Number	Width	Length	Height	TFL (T)	HPL (H)
36" Wide					
CN-GR3S-3660-H	36	60	42	N/A	\$8,099
CN-GR3S-3666-H	36	66	42	N/A	\$8,302
CN-GR3S-3672-H	36	72	42	N/A	\$8,436
CN-GR3S-3678-H	36	78	42	N/A	\$8,641
CN-GR3S-3684-H	36	84	42	N/A	\$8,775
CN-GR3S-3690-H	36	90	42	N/A	\$8,980
CN-GR3S-3696-H	36	96	42	N/A	\$9,114
CN-GR3S-3602-H	36	102	42	N/A	\$10,206
CN-GR3S-3608-H	36	108	42	N/A	\$10,353
CN-GR3S-3614-H	36	114	42	N/A	\$10,576
CN-GR3S-3620-H	36	120	42	N/A	\$10,722
42" Wide					
CN-GR3S-4260-H	42	60	42	N/A	\$8,407
CN-GR3S-4266-H	42	66	42	N/A	\$8,623
CN-GR3S-4272-H	42	72	42	N/A	\$8,767
CN-GR3S-4278-H	42	78	42	N/A	\$8,980
CN-GR3S-4284-H	42	84	42	N/A	\$9,125
CN-GR3S-4290-H	42	90	42	N/A	\$9,338
CN-GR3S-4296-H	42	96	42	N/A	\$9,482
CN-GR3S-4202-H	42	102	42	N/A	\$10,620
CN-GR3S-4208-H	42	108	42	N/A	\$10,779
CN-GR3S-4214-H	42	114	42	N/A	\$11,012
CN-GR3S-4220-H	42	120	42	N/A	\$11,171

- 3" thick panels in HPL with HPL self edge; TFL not available.
- Mitered corner construction with concealed metal support frame.
- Adjustable levelers.
- Ships fully assembled.
- Tables over 96" available in Southern California and/or will call only.
- 6" high heavy duty casters can be added to Chapala and Haverford parsons tables. The overall height does not change. To add casters, add OP-CAST-PRSN-4 for \$1067 for 4 locking casters.

Removable Access Panel



Model Number	Width	Height	Price
CN-ACPL-42	10	38	\$455

- Price is for one removable access panel on one end of table.
- Removable panel is 3/4" material.

Chapala

2-Piece Bar Height Parsons Table



Model Number	Width	Length	Center Leg	Height	TFL (T)	HPL (H)
24" Wide						
CN-G3S2-2402-?	24	102	16	42	N/A	\$14,080
CN-G3S2-2408-?	24	108	16	42	N/A	\$14,367
CN-G3S2-2414-?	24	114	16	42	N/A	\$14,660
CN-G3S2-2420-?	24	120	16	42	N/A	\$14,959
CN-G3S2-2426-?	24	126	16	42	N/A	\$15,144
CN-G3S2-2432-?	24	132	16	42	N/A	\$15,330
CN-G3S2-2438-?	24	138	16	42	N/A	\$15,444
CN-G3S2-2444-?	24	144	16	42	N/A	\$15,558
CN-G3S2-2450-?	24	150	16	42	N/A	\$15,745
CN-G3S2-2456-?	24	156	16	42	N/A	\$15,931
CN-G3S2-2462-?	24	162	16	42	N/A	\$16,043
CN-G3S2-2468-?	24	168	16	42	N/A	\$16,155
CN-G3S2-2474-?	24	174	16	42	N/A	\$16,342
CN-G3S2-2480-?	24	180	16	42	N/A	\$16,528
CN-G3S2-2486-?	24	186	16	42	N/A	\$16,642
CN-G3S2-2492-?	24	192	16	42	N/A	\$16,756
30" Wide						
CN-G3S2-3002-?	30	102	18	42	N/A	\$14,665
CN-G3S2-3008-?	30	108	18	42	N/A	\$14,964
CN-G3S2-3014-?	30	114	18	42	N/A	\$15,269
CN-G3S2-3020-?	30	120	18	42	N/A	\$15,581
CN-G3S2-3026-?	30	126	18	42	N/A	\$15,774
CN-G3S2-3032-?	30	132	18	42	N/A	\$15,966
CN-G3S2-3038-?	30	138	18	42	N/A	\$16,092
CN-G3S2-3044-?	30	144	18	42	N/A	\$16,218
CN-G3S2-3050-?	30	150	18	42	N/A	\$16,411
CN-G3S2-3056-?	30	156	18	42	N/A	\$16,605
CN-G3S2-3062-?	30	162	18	42	N/A	\$16,729
CN-G3S2-3068-?	30	168	18	42	N/A	\$16,854
CN-G3S2-3074-?	30	174	18	42	N/A	\$17,051
CN-G3S2-3080-?	30	180	18	42	N/A	\$17,247
CN-G3S2-3086-?	30	186	18	42	N/A	\$17,368
CN-G3S2-3092-?	30	192	18	42	N/A	\$17,489

- 3" thick panels in HPL with HPL self edge; TFL not available.
- Mitered corner construction with concealed metal support frame.
- Adjustable levelers.
- Ships partially assembled, in 3 sections.
- 6" high heavy duty casters can be added to Chapala and Haverford parsons tables. The overall height does not change. To add casters, add OP-CAST-PRSN-6 for \$1601 for 6 locking casters.

Chapala

2-Piece Bar Height Parsons Table



Model Number	Width	Length	Center Leg	Height	TFL (T)	HPL (H)
36" Wide						
CN-G3S2-3602-?	36	102	18	42	N/A	\$15,246
CN-G3S2-3608-?	36	108	18	42	N/A	\$15,557
CN-G3S2-3614-?	36	114	18	42	N/A	\$15,875
CN-G3S2-3620-?	36	120	18	42	N/A	\$16,199
CN-G3S2-3626-?	36	126	18	42	N/A	\$16,402
CN-G3S2-3632-?	36	132	18	42	N/A	\$16,605
CN-G3S2-3638-?	36	138	18	42	N/A	\$16,739
CN-G3S2-3644-?	36	144	18	42	N/A	\$16,873
CN-G3S2-3650-?	36	150	18	42	N/A	\$17,078
CN-G3S2-3656-?	36	156	18	42	N/A	\$17,283
CN-G3S2-3662-?	36	162	18	42	N/A	\$17,417
CN-G3S2-3668-?	36	168	18	42	N/A	\$17,551
CN-G3S2-3674-?	36	174	18	42	N/A	\$17,756
CN-G3S2-3680-?	36	180	18	42	N/A	\$17,961
CN-G3S2-3686-?	36	186	18	42	N/A	\$18,094
CN-G3S2-3692-?	36	192	18	42	N/A	\$18,227
42" Wide						
CN-G3S2-4202-?	42	102	21	42	N/A	\$15,826
CN-G3S2-4208-?	42	108	21	42	N/A	\$16,149
CN-G3S2-4214-?	42	114	21	42	N/A	\$16,479
CN-G3S2-4220-?	42	120	21	42	N/A	\$16,815
CN-G3S2-4226-?	42	126	21	42	N/A	\$16,875
CN-G3S2-4232-?	42	132	21	42	N/A	\$16,935
CN-G3S2-4238-?	42	138	21	42	N/A	\$17,235
CN-G3S2-4244-?	42	144	21	42	N/A	\$17,534
CN-G3S2-4250-?	42	150	21	42	N/A	\$17,748
CN-G3S2-4256-?	42	156	21	42	N/A	\$17,961
CN-G3S2-4262-?	42	162	21	42	N/A	\$18,105
CN-G3S2-4268-?	42	168	21	42	N/A	\$18,250
CN-G3S2-4274-?	42	174	21	42	N/A	\$18,463
CN-G3S2-4280-?	42	180	21	42	N/A	\$18,676
CN-G3S2-4286-?	42	186	21	42	N/A	\$18,820
CN-G3S2-4292-?	42	192	21	42	N/A	\$18,963

- 3" thick panels in HPL with HPL self edge; TFL not available.
- Mitered corner construction with concealed metal support frame.
- Adjustable levelers.
- Ships partially assembled, in 3 sections.
- 6" high heavy duty casters can be added to Chapala and Haverford parsons tables. The overall height does not change. To add casters, add OP-CAST-PRSN-6 for \$1601 for 6 locking casters.

Haverford

Desk Height Parsons Table



Model Number	Width	Length	Height	TFL (T)	HPL (H)
24" Wide					
CN-GR4D-2460-H	24	60	29	N/A	\$9,646
CN-GR4D-2466-H	24	66	29	N/A	\$9,977
CN-GR4D-2472-H	24	72	29	N/A	\$10,155
CN-GR4D-2478-H	24	78	29	N/A	\$10,484
CN-GR4D-2484-H	24	84	29	N/A	\$10,658
CN-GR4D-2490-H	24	90	29	N/A	\$10,989
CN-GR4D-2496-H	24	96	29	N/A	\$11,166
CN-GR4D-2402-H	24	102	29	N/A	\$12,588
CN-GR4D-2408-H	24	108	29	N/A	\$12,784
CN-GR4D-2414-H	24	114	29	N/A	\$13,145
CN-GR4D-2420-H	24	120	29	N/A	\$13,337
30" Wide					
CN-GR4D-3060-H	30	60	29	N/A	\$10,071
CN-GR4D-3066-H	30	66	29	N/A	\$10,414
CN-GR4D-3072-H	30	72	29	N/A	\$10,606
CN-GR4D-3078-H	30	78	29	N/A	\$10,950
CN-GR4D-3084-H	30	84	29	N/A	\$11,140
CN-GR4D-3090-H	30	90	29	N/A	\$11,484
CN-GR4D-3096-H	30	96	29	N/A	\$11,676
CN-GR4D-3002-H	30	102	29	N/A	\$13,166
CN-GR4D-3008-H	30	108	29	N/A	\$13,375
CN-GR4D-3014-H	30	114	29	N/A	\$13,751
CN-GR4D-3020-H	30	120	29	N/A	\$13,959

- 3-3/8" thick panels in HPL with Deskmakers standard 2MM PVC edge banding; TFL not available.
- Recessed middle accent color stripe
- Mitered corner construction with concealed metal support frame.
- Adjustable levelers.
- Ships fully assembled.
- Tables over 96" available in Southern California and/or will call only.
- 6" high heavy duty casters can be added to Chapala and Haverford parsons tables. The overall height does not change. To add casters, add OP-CAST-PRSN-4 for \$1067 for 4 locking casters.

Removable Access Panel



Model Number	Width	Height	Price
CN-ACPL-29	10	26	\$417

- Price is for one removable access panel on one end of table.
- Removable panel is 3/4" material.

Haverford

Desk Height Parsons Table



Model Number	Width	Length	Height	TFL (T)	HPL (H)
36" Wide					
CN-GR4D-3660-H	36	60	29	N/A	\$10,495
CN-GR4D-3666-H	36	66	29	N/A	\$10,855
CN-GR4D-3672-H	36	72	29	N/A	\$11,058
CN-GR4D-3678-H	36	78	29	N/A	\$11,418
CN-GR4D-3684-H	36	84	29	N/A	\$11,621
CN-GR4D-3690-H	36	90	29	N/A	\$11,982
CN-GR4D-3696-H	36	96	29	N/A	\$12,184
CN-GR4D-3602-H	36	102	29	N/A	\$13,740
CN-GR4D-3608-H	36	108	29	N/A	\$13,965
CN-GR4D-3614-H	36	114	29	N/A	\$14,355
CN-GR4D-3620-H	36	120	29	N/A	\$14,581
42" Wide					
CN-GR4D-4260-H	42	60	29	N/A	\$10,919
CN-GR4D-4266-H	42	66	29	N/A	\$11,292
CN-GR4D-4272-H	42	72	29	N/A	\$11,511
CN-GR4D-4278-H	42	78	29	N/A	\$11,882
CN-GR4D-4284-H	42	84	29	N/A	\$12,103
CN-GR4D-4290-H	42	90	29	N/A	\$12,476
CN-GR4D-4296-H	42	96	29	N/A	\$12,697
CN-GR4D-4202-H	42	102	29	N/A	\$14,316
CN-GR4D-4208-H	42	108	29	N/A	\$14,557
CN-GR4D-4214-H	42	114	29	N/A	\$14,963
CN-GR4D-4220-H	42	120	29	N/A	\$15,203

- 3-3/8" thick panels in HPL with Deskmakers standard 2MM PVC edge banding; TFL not available.
- Recessed middle accent color stripe
- Mitered corner construction with concealed metal support frame.
- Adjustable levelers.
- Ships fully assembled.
- Tables over 96" available in Southern California and/or will call only.
- 6" high heavy duty casters can be added to Chapala and Haverford parsons tables. The overall height does not change. To add casters, add OP-CAST-PRSN-4 for \$1067 for 4 locking casters.

Removable Access Panel



Model Number	Width	Height	Price
CN-ACPL-29	10	26	\$417

- Price is for one removable access panel on one end of table.
- Removable panel is 3/4" material.

Haverford

2-Piece Desk Height Parsons Table



Model Number	Width	Length	Center Leg	Height	TFL (T)	HPL (H)
24" Wide						
CN-G4D2-2402-?	24	102	16	29	N/A	\$18,157
CN-G4D2-2408-?	24	108	16	29	N/A	\$18,528
CN-G4D2-2414-?	24	114	16	29	N/A	\$18,906
CN-G4D2-2420-?	24	120	16	29	N/A	\$19,292
CN-G4D2-2426-?	24	126	16	29	N/A	\$19,623
CN-G4D2-2432-?	24	132	16	29	N/A	\$19,953
CN-G4D2-2438-?	24	138	16	29	N/A	\$20,131
CN-G4D2-2444-?	24	144	16	29	N/A	\$20,309
CN-G4D2-2450-?	24	150	16	29	N/A	\$20,638
CN-G4D2-2456-?	24	156	16	29	N/A	\$20,966
CN-G4D2-2462-?	24	162	16	29	N/A	\$21,141
CN-G4D2-2468-?	24	168	16	29	N/A	\$21,316
CN-G4D2-2474-?	24	174	16	29	N/A	\$21,647
CN-G4D2-2480-?	24	180	16	29	N/A	\$21,977
CN-G4D2-2486-?	24	186	16	29	N/A	\$22,155
CN-G4D2-2492-?	24	192	16	29	N/A	\$22,333
30" Wide						
CN-G4D2-3002-?	30	102	18	29	N/A	\$18,956
CN-G4D2-3008-?	30	108	18	29	N/A	\$19,343
CN-G4D2-3014-?	30	114	18	29	N/A	\$19,738
CN-G4D2-3020-?	30	120	18	29	N/A	\$20,141
CN-G4D2-3026-?	30	126	18	29	N/A	\$20,485
CN-G4D2-3032-?	30	132	18	29	N/A	\$20,829
CN-G4D2-3038-?	30	138	18	29	N/A	\$21,020
CN-G4D2-3044-?	30	144	18	29	N/A	\$21,212
CN-G4D2-3050-?	30	150	18	29	N/A	\$21,556
CN-G4D2-3056-?	30	156	18	29	N/A	\$21,900
CN-G4D2-3062-?	30	162	18	29	N/A	\$22,091
CN-G4D2-3068-?	30	168	18	29	N/A	\$22,281
CN-G4D2-3074-?	30	174	18	29	N/A	\$22,624
CN-G4D2-3080-?	30	180	18	29	N/A	\$22,967
CN-G4D2-3086-?	30	186	18	29	N/A	\$23,160
CN-G4D2-3092-?	30	192	18	29	N/A	\$23,352

- 3-3/8" thick panels in HPL with Deskmakers standard 2MM PVC edge banding; TFL not available.
- Recessed middle accent color stripe
- Mitered corner construction with concealed metal support frame.
- Adjustable levelers.
- Ships partially assembled, in 3 sections.
- 6" high heavy duty casters can be added to Chapala and Haverford parsons tables. The overall height does not change. To add casters, add OP-CAST-PRSN-6 for \$1601 for 6 locking casters.

Haverford

2-Piece Desk Height Parsons Table



Model Number	Width	Length	Center Leg	Height	TFL (T)	HPL (H)
36" Wide						
CN-G4D2-3602-?	36	102	18	29	N/A	\$19,755
CN-G4D2-3608-?	36	108	18	29	N/A	\$20,158
CN-G4D2-3614-?	36	114	18	29	N/A	\$20,569
CN-G4D2-3620-?	36	120	18	29	N/A	\$20,989
CN-G4D2-3626-?	36	126	18	29	N/A	\$21,349
CN-G4D2-3632-?	36	132	18	29	N/A	\$21,709
CN-G4D2-3638-?	36	138	18	29	N/A	\$21,913
CN-G4D2-3644-?	36	144	18	29	N/A	\$22,117
CN-G4D2-3650-?	36	150	18	29	N/A	\$22,475
CN-G4D2-3656-?	36	156	18	29	N/A	\$22,836
CN-G4D2-3662-?	36	162	18	29	N/A	\$23,039
CN-G4D2-3668-?	36	168	18	29	N/A	\$23,242
CN-G4D2-3674-?	36	174	18	29	N/A	\$23,604
CN-G4D2-3680-?	36	180	18	29	N/A	\$23,966
CN-G4D2-3686-?	36	186	18	29	N/A	\$24,168
CN-G4D2-3692-?	36	192	18	29	N/A	\$24,369
42" Wide						
CN-G4D2-4202-?	42	102	21	29	N/A	\$20,554
CN-G4D2-4208-?	42	108	21	29	N/A	\$20,973
CN-G4D2-4214-?	42	114	21	29	N/A	\$21,401
CN-G4D2-4220-?	42	120	21	29	N/A	\$21,838
CN-G4D2-4226-?	42	126	21	29	N/A	\$22,211
CN-G4D2-4232-?	42	132	21	29	N/A	\$22,585
CN-G4D2-4238-?	42	138	21	29	N/A	\$22,804
CN-G4D2-4244-?	42	144	21	29	N/A	\$23,024
CN-G4D2-4250-?	42	150	21	29	N/A	\$23,394
CN-G4D2-4256-?	42	156	21	29	N/A	\$23,764
CN-G4D2-4262-?	42	162	21	29	N/A	\$23,986
CN-G4D2-4268-?	42	168	21	29	N/A	\$24,207
CN-G4D2-4274-?	42	174	21	29	N/A	\$24,579
CN-G4D2-4280-?	42	180	21	29	N/A	\$24,952
CN-G4D2-4286-?	42	186	21	29	N/A	\$25,173
CN-G4D2-4292-?	42	192	21	29	N/A	\$25,395

- 3-3/8" thick panels in HPL with Deskmakers standard 2MM PVC edge banding; TFL not available.
- Recessed middle accent color stripe
- Mitered corner construction with concealed metal support frame.
- Adjustable levelers.
- Ships partially assembled, in 3 sections.
- 6" high heavy duty casters can be added to Chapala and Haverford parsons tables. The overall height does not change. To add casters, add OP-CAST-PRSN-6 for \$1601 for 6 locking casters.

Haverford

Counter Height Parsons Table



Model Number	Width	Length	Height	TFL (T)	HPL (H)
24" Wide					
CN-GR4C-2460-H	24	60	36	N/A	\$10,228
CN-GR4C-2466-H	24	66	36	N/A	\$10,559
CN-GR4C-2472-H	24	72	36	N/A	\$10,736
CN-GR4C-2478-H	24	78	36	N/A	\$11,067
CN-GR4C-2484-H	24	84	36	N/A	\$11,241
CN-GR4C-2490-H	24	90	36	N/A	\$11,570
CN-GR4C-2496-H	24	96	36	N/A	\$11,748
CN-GR4C-2402-H	24	102	36	N/A	\$13,239
CN-GR4C-2408-H	24	108	36	N/A	\$13,435
CN-GR4C-2414-H	24	114	36	N/A	\$13,794
CN-GR4C-2420-H	24	120	36	N/A	\$13,987
30" Wide					
CN-GR4C-3060-H	30	60	36	N/A	\$10,709
CN-GR4C-3066-H	30	66	36	N/A	\$11,053
CN-GR4C-3072-H	30	72	36	N/A	\$11,246
CN-GR4C-3078-H	30	78	36	N/A	\$11,590
CN-GR4C-3084-H	30	84	36	N/A	\$11,780
CN-GR4C-3090-H	30	90	36	N/A	\$12,124
CN-GR4C-3096-H	30	96	36	N/A	\$12,316
CN-GR4C-3002-H	30	102	36	N/A	\$13,877
CN-GR4C-3008-H	30	108	36	N/A	\$14,086
CN-GR4C-3014-H	30	114	36	N/A	\$14,464
CN-GR4C-3020-H	30	120	36	N/A	\$14,672

- 3-3/8" thick panels in HPL with Deskmakers standard 2MM PVC edge banding; TFL not available.
- Recessed middle accent color stripe
- Mitered corner construction with concealed metal support frame.
- Adjustable levelers.
- Ships fully assembled.
- Tables over 96" available in Southern California and/or will call only.
- 6" high heavy duty casters can be added to Chapala and Haverford parsons tables. The overall height does not change. To add casters, add OP-CAST-PRSN-4 for \$1067 for 4 locking casters.

Removable Access Panel



Model Number	Width	Height	Price
CN-ACPL-36	10	32	\$437

- Price is for one removable access panel on one end of table.
- Removable panel is 3/4" material.

Haverford

Counter Height Parsons Table



Model Number	Width	Length	Height	TFL (T)	HPL (H)
36" Wide					
CN-GR4C-3660-H	36	60	36	N/A	\$11,191
CN-GR4C-3666-H	36	66	36	N/A	\$11,550
CN-GR4C-3672-H	36	72	36	N/A	\$11,754
CN-GR4C-3678-H	36	78	36	N/A	\$12,114
CN-GR4C-3684-H	36	84	36	N/A	\$12,319
CN-GR4C-3690-H	36	90	36	N/A	\$12,676
CN-GR4C-3696-H	36	96	36	N/A	\$12,882
CN-GR4C-3602-H	36	102	36	N/A	\$14,515
CN-GR4C-3608-H	36	108	36	N/A	\$14,741
CN-GR4C-3614-H	36	114	36	N/A	\$15,132
CN-GR4C-3620-H	36	120	36	N/A	\$15,358
42" Wide					
CN-GR4C-4260-H	42	60	36	N/A	\$11,672
CN-GR4C-4266-H	42	66	36	N/A	\$12,046
CN-GR4C-4272-H	42	72	36	N/A	\$12,266
CN-GR4C-4278-H	42	78	36	N/A	\$12,639
CN-GR4C-4284-H	42	84	36	N/A	\$12,860
CN-GR4C-4290-H	42	90	36	N/A	\$13,231
CN-GR4C-4296-H	42	96	36	N/A	\$13,452
CN-GR4C-4202-H	42	102	36	N/A	\$15,155
CN-GR4C-4208-H	42	108	36	N/A	\$15,393
CN-GR4C-4214-H	42	114	36	N/A	\$15,801
CN-GR4C-4220-H	42	120	36	N/A	\$16,042

- 3-3/8" thick panels in HPL with Deskmakers standard 2MM PVC edge banding; TFL not available.
- Recessed middle accent color stripe
- Mitered corner construction with concealed metal support frame.
- Adjustable levelers.
- Ships fully assembled.
- Tables over 96" available in Southern California and/or will call only.
- 6" high heavy duty casters can be added to Chapala and Haverford parsons tables. The overall height does not change. To add casters, add OP-CAST-PRSN-4 for \$1067 for 4 locking casters.

Removable Access Panel

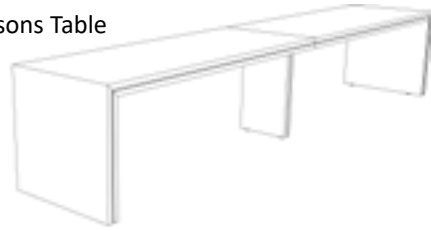


Model Number	Width	Height	Price
CN-ACPL-36	10	32	\$437

- Price is for one removable access panel on one end of table.
- Removable panel is 3/4" material.

Haverford

2-Piece Counter Height Parsons Table



Model Number	Width	Length	Center Leg	Height	TFL (T)	HPL (H)
24" Wide						
CN-G4C2-2402-?	24	102	16	36	N/A	\$19,254
CN-G4C2-2408-?	24	108	16	36	N/A	\$19,647
CN-G4C2-2414-?	24	114	16	36	N/A	\$20,048
CN-G4C2-2420-?	24	120	16	36	N/A	\$20,457
CN-G4C2-2426-?	24	126	16	36	N/A	\$20,788
CN-G4C2-2432-?	24	132	16	36	N/A	\$21,118
CN-G4C2-2438-?	24	138	16	36	N/A	\$21,295
CN-G4C2-2444-?	24	144	16	36	N/A	\$21,472
CN-G4C2-2450-?	24	150	16	36	N/A	\$21,803
CN-G4C2-2456-?	24	156	16	36	N/A	\$22,133
CN-G4C2-2462-?	24	162	16	36	N/A	\$22,308
CN-G4C2-2468-?	24	168	16	36	N/A	\$22,483
CN-G4C2-2474-?	24	174	16	36	N/A	\$22,905
CN-G4C2-2480-?	24	180	16	36	N/A	\$23,327
CN-G4C2-2486-?	24	186	16	36	N/A	\$23,411
CN-G4C2-2492-?	24	192	16	36	N/A	\$23,496
30" Wide						
CN-G4C2-3002-?	30	102	18	36	N/A	\$20,158
CN-G4C2-3008-?	30	108	18	36	N/A	\$20,569
CN-G4C2-3014-?	30	114	18	36	N/A	\$20,989
CN-G4C2-3020-?	30	120	18	36	N/A	\$21,418
CN-G4C2-3026-?	30	126	18	36	N/A	\$21,761
CN-G4C2-3032-?	30	132	18	36	N/A	\$22,104
CN-G4C2-3038-?	30	138	18	36	N/A	\$22,299
CN-G4C2-3044-?	30	144	18	36	N/A	\$22,493
CN-G4C2-3050-?	30	150	18	36	N/A	\$22,836
CN-G4C2-3056-?	30	156	18	36	N/A	\$23,180
CN-G4C2-3062-?	30	162	18	36	N/A	\$23,370
CN-G4C2-3068-?	30	168	18	36	N/A	\$23,560
CN-G4C2-3074-?	30	174	18	36	N/A	\$23,904
CN-G4C2-3080-?	30	180	18	36	N/A	\$24,249
CN-G4C2-3086-?	30	186	18	36	N/A	\$24,440
CN-G4C2-3092-?	30	192	18	36	N/A	\$24,631

- 3-3/8" thick panels in HPL with Deskmakers standard 2MM PVC edge banding; TFL not available.
- Recessed middle accent color stripe
- Mitered corner construction with concealed metal support frame.
- Adjustable levelers.
- Ships partially assembled, in 3 sections.
- 6" high heavy duty casters can be added to Chapala and Haverford parsons tables. The overall height does not change. To add casters, add OP-CAST-PRSN-6 for \$1601 for 6 locking casters.

Haverford

2-Piece Counter Height Parsons Table



Model Number	Width	Length	Center Leg	Height	TFL (T)	HPL (H)
36" Wide						
CN-G4C2-3602-?	36	102	18	36	N/A	\$21,066
CN-G4C2-3608-?	36	108	18	36	N/A	\$21,497
CN-G4C2-3614-?	36	114	18	36	N/A	\$21,936
CN-G4C2-3620-?	36	120	18	36	N/A	\$22,383
CN-G4C2-3626-?	36	126	18	36	N/A	\$22,741
CN-G4C2-3632-?	36	132	18	36	N/A	\$23,098
CN-G4C2-3638-?	36	138	18	36	N/A	\$23,303
CN-G4C2-3644-?	36	144	18	36	N/A	\$23,508
CN-G4C2-3650-?	36	150	18	36	N/A	\$23,868
CN-G4C2-3656-?	36	156	18	36	N/A	\$24,228
CN-G4C2-3662-?	36	162	18	36	N/A	\$24,433
CN-G4C2-3668-?	36	168	18	36	N/A	\$24,638
CN-G4C2-3674-?	36	174	18	36	N/A	\$24,994
CN-G4C2-3680-?	36	180	18	36	N/A	\$25,351
CN-G4C2-3686-?	36	186	18	36	N/A	\$25,558
CN-G4C2-3692-?	36	192	18	36	N/A	\$25,765
42" Wide						
CN-G4C2-4202-?	42	102	21	36	N/A	\$21,971
CN-G4C2-4208-?	42	108	21	36	N/A	\$22,419
CN-G4C2-4214-?	42	114	21	36	N/A	\$22,877
CN-G4C2-4220-?	42	120	21	36	N/A	\$23,344
CN-G4C2-4226-?	42	126	21	36	N/A	\$23,718
CN-G4C2-4232-?	42	132	21	36	N/A	\$24,093
CN-G4C2-4238-?	42	138	21	36	N/A	\$24,296
CN-G4C2-4244-?	42	144	21	36	N/A	\$24,532
CN-G4C2-4250-?	42	150	21	36	N/A	\$24,904
CN-G4C2-4256-?	42	156	21	36	N/A	\$25,276
CN-G4C2-4262-?	42	162	21	36	N/A	\$25,498
CN-G4C2-4268-?	42	168	21	36	N/A	\$25,719
CN-G4C2-4274-?	42	174	21	36	N/A	\$26,090
CN-G4C2-4280-?	42	180	21	36	N/A	\$26,462
CN-G4C2-4286-?	42	186	21	36	N/A	\$26,682
CN-G4C2-4292-?	42	192	21	36	N/A	\$26,903

- 3-3/8" thick panels in HPL with Deskmakers standard 2MM PVC edge banding; TFL not available.
- Recessed middle accent color stripe
- Mitered corner construction with concealed metal support frame.
- Adjustable levelers.
- Ships partially assembled, in 3 sections.
- 6" high heavy duty casters can be added to Chapala and Haverford parsons tables. The overall height does not change. To add casters, add OP-CAST-PRSN-6 for \$1601 for 6 locking casters.

Haverford

Bar Height Parsons Table



Model Number	Width	Length	Height	TFL (T)	HPL (H)
24" Wide					
CN-GR4S-2460-H	24	60	42	N/A	\$10,353
CN-GR4S-2466-H	24	66	42	N/A	\$10,684
CN-GR4S-2472-H	24	72	42	N/A	\$10,861
CN-GR4S-2478-H	24	78	42	N/A	\$11,192
CN-GR4S-2484-H	24	84	42	N/A	\$11,366
CN-GR4S-2490-H	24	90	42	N/A	\$11,695
CN-GR4S-2496-H	24	96	42	N/A	\$11,873
CN-GR4S-2402-H	24	102	42	N/A	\$13,364
CN-GR4S-2408-H	24	108	42	N/A	\$13,560
CN-GR4S-2414-H	24	114	42	N/A	\$13,919
CN-GR4S-2420-H	24	120	42	N/A	\$14,111
30" Wide					
CN-GR4S-3060-H	30	60	42	N/A	\$10,834
CN-GR4S-3066-H	30	66	42	N/A	\$11,177
CN-GR4S-3072-H	30	72	42	N/A	\$11,371
CN-GR4S-3078-H	30	78	42	N/A	\$11,715
CN-GR4S-3084-H	30	84	42	N/A	\$11,905
CN-GR4S-3090-H	30	90	42	N/A	\$12,249
CN-GR4S-3096-H	30	96	42	N/A	\$12,441
CN-GR4S-3002-H	30	102	42	N/A	\$14,002
CN-GR4S-3008-H	30	108	42	N/A	\$14,210
CN-GR4S-3014-H	30	114	42	N/A	\$14,589
CN-GR4S-3020-H	30	120	42	N/A	\$14,797

- 3-3/8" thick panels in HPL with Deskmakers standard 2MM PVC edge banding; TFL not available.
- Recessed middle accent color stripe
- Mitered corner construction with concealed metal support frame.
- Adjustable levelers.
- Ships fully assembled.
- Tables over 96" available in Southern California and/or will call only.
- 6" high heavy duty casters can be added to Chapala and Haverford parsons tables. The overall height does not change. To add casters, add OP-CAST-PRSN-4 for \$1067 for 4 locking casters.

Removable Access Panel



Model Number	Width	Height	Price
CN-ACPL-42	10	38	\$455

- Price is for one removable access panel on one end of table.
- Removable panel is 3/4" material.

Haverford

Bar Height Parsons Table



Model Number	Width	Length	Height	TFL (T)	HPL (H)
36" Wide					
CN-GR4S-3660-H	36	60	42	N/A	\$11,316
CN-GR4S-3666-H	36	66	42	N/A	\$11,674
CN-GR4S-3672-H	36	72	42	N/A	\$11,879
CN-GR4S-3678-H	36	78	42	N/A	\$12,239
CN-GR4S-3684-H	36	84	42	N/A	\$12,444
CN-GR4S-3690-H	36	90	42	N/A	\$12,800
CN-GR4S-3696-H	36	96	42	N/A	\$13,007
CN-GR4S-3602-H	36	102	42	N/A	\$14,640
CN-GR4S-3608-H	36	108	42	N/A	\$14,866
CN-GR4S-3614-H	36	114	42	N/A	\$15,256
CN-GR4S-3620-H	36	120	42	N/A	\$15,483
42" Wide					
CN-GR4S-4260-H	42	60	42	N/A	\$11,797
CN-GR4S-4266-H	42	66	42	N/A	\$12,171
CN-GR4S-4272-H	42	72	42	N/A	\$12,391
CN-GR4S-4278-H	42	78	42	N/A	\$12,763
CN-GR4S-4284-H	42	84	42	N/A	\$12,984
CN-GR4S-4290-H	42	90	42	N/A	\$13,355
CN-GR4S-4296-H	42	96	42	N/A	\$13,576
CN-GR4S-4202-H	42	102	42	N/A	\$15,279
CN-GR4S-4208-H	42	108	42	N/A	\$15,518
CN-GR4S-4214-H	42	114	42	N/A	\$15,926
CN-GR4S-4220-H	42	120	42	N/A	\$16,166

- 3-3/8" thick panels in HPL with Deskmakers standard 2MM PVC edge banding; TFL not available.
- Recessed middle accent color stripe
- Mitered corner construction with concealed metal support frame.
- Adjustable levelers.
- Ships fully assembled.
- Tables over 96" available in Southern California and/or will call only.
- 6" high heavy duty casters can be added to Chapala and Haverford parsons tables. The overall height does not change. To add casters, add OP-CAST-PRSN-4 for \$1067 for 4 locking casters.

Removable Access Panel

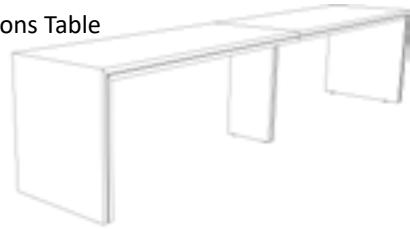


Model Number	Width	Height	Price
CN-ACPL-42	10	38	\$455

- Price is for one removable access panel on one end of table.
- Removable panel is 3/4" material.

Haverford

2-Piece Counter Height Parsons Table



Model Number	Width	Length	Center Leg	Height	TFL (T)	HPL (H)
24" Wide						
CN-G4S2-2402-?	24	102	16	42	N/A	\$19,489
CN-G4S2-2408-?	24	108	16	42	N/A	\$19,887
CN-G4S2-2414-?	24	114	16	42	N/A	\$202,916
CN-G4S2-2420-?	24	120	16	42	N/A	\$20,706
CN-G4S2-2426-?	24	126	16	42	N/A	\$21,037
CN-G4S2-2432-?	24	132	16	42	N/A	\$21,368
CN-G4S2-2438-?	24	138	16	42	N/A	\$21,545
CN-G4S2-2444-?	24	144	16	42	N/A	\$21,721
CN-G4S2-2450-?	24	150	16	42	N/A	\$22,052
CN-G4S2-2456-?	24	156	16	42	N/A	\$22,383
CN-G4S2-2462-?	24	162	16	42	N/A	\$22,558
CN-G4S2-2468-?	24	168	16	42	N/A	\$22,732
CN-G4S2-2474-?	24	174	16	42	N/A	\$23,061
CN-G4S2-2480-?	24	180	16	42	N/A	\$23,390
CN-G4S2-2486-?	24	186	16	42	N/A	\$23,567
CN-G4S2-2492-?	24	192	16	42	N/A	\$23,745
30" Wide						
CN-G4S2-3002-?	30	102	18	42	N/A	\$20,393
CN-G4S2-3008-?	30	108	18	42	N/A	\$20,809
CN-G4S2-3014-?	30	114	18	42	N/A	\$21,234
CN-G4S2-3020-?	30	120	18	42	N/A	\$21,667
CN-G4S2-3026-?	30	126	18	42	N/A	\$22,011
CN-G4S2-3032-?	30	132	18	42	N/A	\$22,354
CN-G4S2-3038-?	30	138	18	42	N/A	\$22,548
CN-G4S2-3044-?	30	144	18	42	N/A	\$22,743
CN-G4S2-3050-?	30	150	18	42	N/A	\$23,086
CN-G4S2-3056-?	30	156	18	42	N/A	\$23,429
CN-G4S2-3062-?	30	162	18	42	N/A	\$23,619
CN-G4S2-3068-?	30	168	18	42	N/A	\$23,810
CN-G4S2-3074-?	30	174	18	42	N/A	\$24,154
CN-G4S2-3080-?	30	180	18	42	N/A	\$24,498
CN-G4S2-3086-?	30	186	18	42	N/A	\$24,690
CN-G4S2-3092-?	30	192	18	42	N/A	\$24,881

- 3-3/8" thick panels in HPL with Deskmakers standard 2MM PVC edge banding; TFL not available.
- Recessed middle accent color stripe
- Mitered corner construction with concealed metal support frame.
- Adjustable levelers.
- Ships partially assembled, in 3 sections.
- 6" high heavy duty casters can be added to Chapala and Haverford parsons tables. The overall height does not change. To add casters, add OP-CAST-PRSN-6 for \$1601 for 6 locking casters.

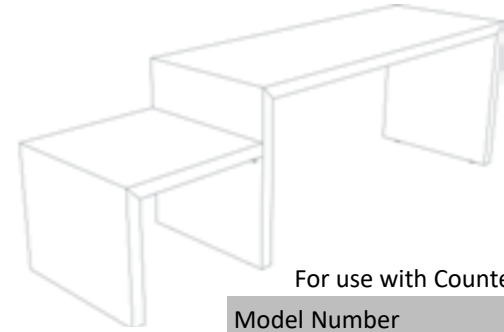
Haverford

2-Piece Counter Height Parsons Table



Model Number	Width	Length	Center Leg	Height	TFL (T)	HPL (H)
36" Wide						
CN-G4S2-3602-?	36	102	18	42	N/A	\$21,301
CN-G4S2-3608-?	36	108	18	42	N/A	\$21,736
CN-G4S2-3614-?	36	114	18	42	N/A	\$22,180
CN-G4S2-3620-?	36	120	18	42	N/A	\$22,632
CN-G4S2-3626-?	36	126	18	42	N/A	\$22,990
CN-G4S2-3632-?	36	132	18	42	N/A	\$23,348
CN-G4S2-3638-?	36	138	18	42	N/A	\$23,553
CN-G4S2-3644-?	36	144	18	42	N/A	\$23,758
CN-G4S2-3650-?	36	150	18	42	N/A	\$24,118
CN-G4S2-3656-?	36	156	18	42	N/A	\$24,477
CN-G4S2-3662-?	36	162	18	42	N/A	\$24,682
CN-G4S2-3668-?	36	168	18	42	N/A	\$24,887
CN-G4S2-3674-?	36	174	18	42	N/A	\$25,244
CN-G4S2-3680-?	36	180	18	42	N/A	\$25,601
CN-G4S2-3686-?	36	186	18	42	N/A	\$25,808
CN-G4S2-3692-?	36	192	18	42	N/A	\$26,015
42" Wide						
CN-G4S2-4202-?	42	102	21	42	N/A	\$22,206
CN-G4S2-4208-?	42	108	21	42	N/A	\$22,660
CN-G4S2-4214-?	42	114	21	42	N/A	\$23,121
CN-G4S2-4220-?	42	120	21	42	N/A	\$23,593
CN-G4S2-4226-?	42	126	21	42	N/A	\$23,968
CN-G4S2-4232-?	42	132	21	42	N/A	\$24,342
CN-G4S2-4238-?	42	138	21	42	N/A	\$24,551
CN-G4S2-4244-?	42	144	21	42	N/A	\$24,760
CN-G4S2-4250-?	42	150	21	42	N/A	\$25,143
CN-G4S2-4256-?	42	156	21	42	N/A	\$25,526
CN-G4S2-4262-?	42	162	21	42	N/A	\$25,747
CN-G4S2-4268-?	42	168	21	42	N/A	\$25,969
CN-G4S2-4274-?	42	174	21	42	N/A	\$26,340
CN-G4S2-4280-?	42	180	21	42	N/A	\$26,711
CN-G4S2-4286-?	42	186	21	42	N/A	\$26,932
CN-G4S2-4292-?	42	192	21	42	N/A	\$27,152

- 3-3/8" thick panels in HPL with Deskmakers standard 2MM PVC edge banding; TFL not available.
- Recessed middle accent color stripe
- Mitered corner construction with concealed metal support frame.
- Adjustable levelers.
- Ships partially assembled, in 3 sections.
- 6" high heavy duty casters can be added to Chapala and Haverford parsons tables. The overall height does not change. To add casters, add OP-CAST-PRSN-6 for \$1601 for 6 locking casters.



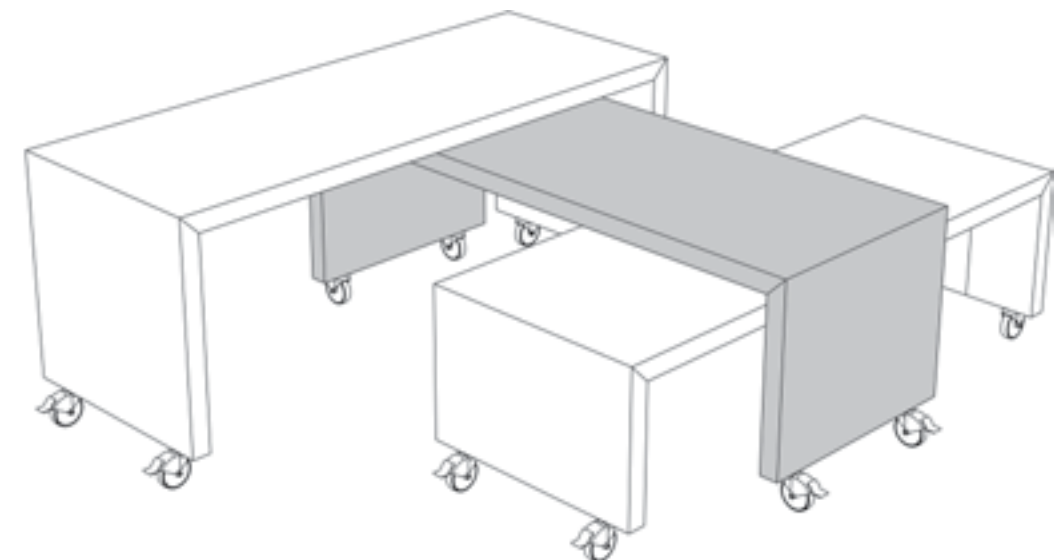
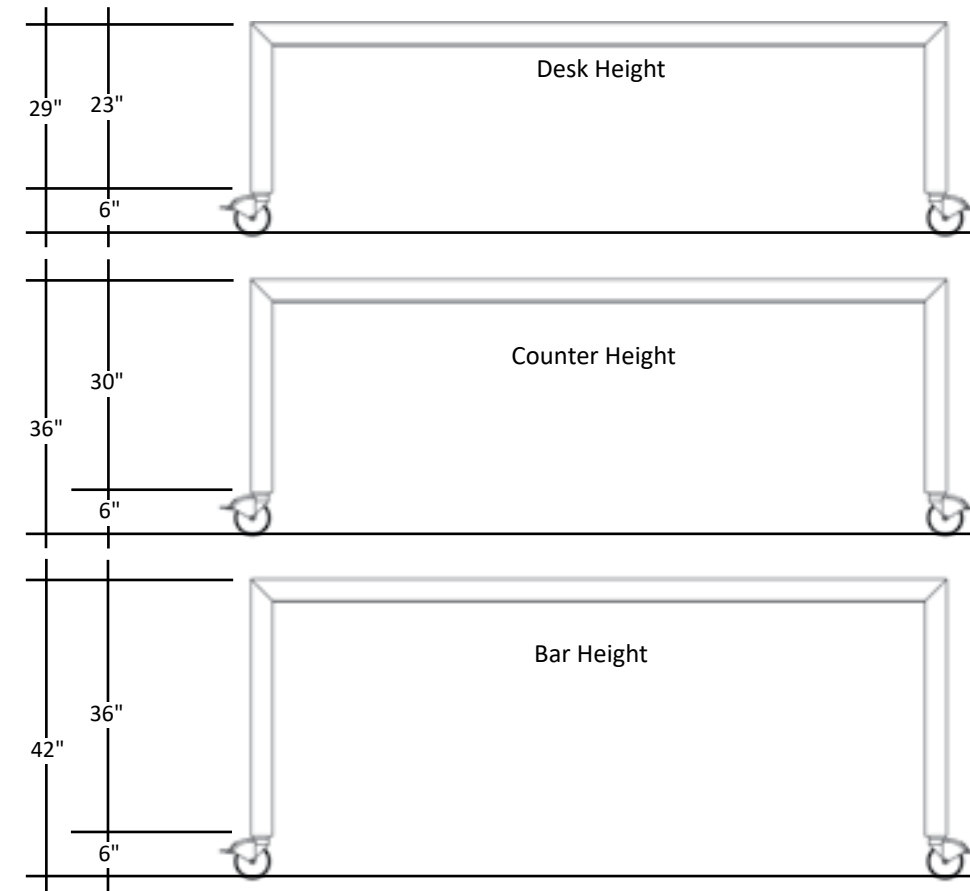
For use with Counter or Bar Height Parsons Table

	Model Number	Width	Length	Height	TFL (T)	HPL (H)
Radcliffe 	CN-ADA1-2430-?	24	30	29	\$651	\$1,156
	CN-ADA1-2436-?	24	36	29	\$652	\$1,158
	CN-ADA1-3030-?	30	30	29	\$654	\$1,159
	CN-ADA1-3036-?	30	36	29	\$656	\$1,162
	CN-ADA1-3630-?	36	30	29	\$932	\$1,923
	CN-ADA1-3636-?	36	36	29	\$934	\$1,926
	CN-ADA1-4230-?	42	30	29	\$935	\$1,927
	CN-ADA1-4236-?	42	36	29	\$937	\$1,928
Albright 	CN-ADA2-2430-?	24	30	29	\$1,614	\$3,432
	CN-ADA2-2436-?	24	36	29	\$1,617	\$3,436
	CN-ADA2-3030-?	30	30	29	\$1,621	\$3,439
	CN-ADA2-3036-?	30	36	29	\$1,624	\$3,443
	CN-ADA2-3630-?	36	30	29	\$1,628	\$3,447
	CN-ADA2-3636-?	36	36	29	\$1,631	\$3,451
	CN-ADA2-4230-?	42	30	29	\$1,635	\$3,454
	CN-ADA2-4236-?	42	36	29	\$1,638	\$3,458
Chapala 	CN-ADA3-2430-?	24	30	30	NA	\$4,983
	CN-ADA3-2436-?	24	36	30	NA	\$4,985
	CN-ADA3-3030-?	30	30	30	NA	\$4,986
	CN-ADA3-3036-?	30	36	30	NA	\$4,987
	CN-ADA3-3630-?	36	30	30	NA	\$6,488
	CN-ADA3-3636-?	36	36	30	NA	\$6,490
	CN-ADA3-4230-?	42	30	30	NA	\$6,491
	CN-ADA3-4236-?	42	36	30	NA	\$6,492
Haverford 	CN-ADA4-2430-?	24	30	30 3/4	NA	\$7,192
	CN-ADA4-2436-?	24	36	30 3/4	NA	\$7,195
	CN-ADA4-3030-?	30	30	30 3/4	NA	\$7,198
	CN-ADA4-3036-?	30	36	30 3/4	NA	\$7,202
	CN-ADA4-3630-?	36	30	30 3/4	NA	\$7,205
	CN-ADA4-3636-?	36	36	30 3/4	NA	\$7,208
	CN-ADA4-4230-?	42	30	30 3/4	NA	\$7,212
	CN-ADA4-4236-?	42	36	30 3/4	NA	\$7,215

- Construction will match table style. Radcliffe and Albright ADA add-ons will ship KD.
 - Add-on will attach to end panel of Counter or Bar height Parsons table via L brackets. Add-on counter should match width of the table it will be attached to.
 - Height may vary from Desk Height Parson table in same style to preserve 27" clear kneespace.

Make it Mobile:

6" locking casters can be added to the Chappala or Haverford table styles using code OP-CAST-PRSN-4 for \$1067 List for a standard table or OP-CAST-PRSN-6 for \$1601 List for a 2-Piece table. Casters can be paired with plug-in electrical, but not with ADA add-on counters.



Please visit [Deskmakers.com](https://deskmakers.com) to view our current [Terms and Conditions](#).

Please visit [Deskmakers.com](https://deskmakers.com) to view our current [Warranty](#).

Showroom Locations

Los Angeles

DeskMakers Headquarters
6525 Flotilla Street
Commerce, CA 90040

DeskMakers

Phone: 323.264.2260 | Fax: 323.725.6960
www.deskmakers.com