



# parsons tables

PRICE & SPECIFICATION GUIDE

radcliffe

albright

chapala

haverford

Version: 11.03.25

*prices effective January 1, 2026*

**DeskMakers**

## revisions

10/24/19	Updated layout and finishes
01/01/21	Updated pricing and finishes
09/01/21	Updated finishes
12/20/21	Updated pricing and finishes
03/31/22	Updated pricing, added counter, caster & ADA options
06/06/22	Updated Radcliffe desk height pricing
08/18/22	Updated Albright TFL pricing, TFL sizes, added surcharge note
12/01/22	Updated pricing, added 2-piece option
10/18/23	Updated finishes
03/15/24	Updated pricing
08/30/24	Updated finishes
12/01/24	Updated pricing
11/03/25	Updated pricing

## table of contents

Laminates	4-5
Product Details	6-15
Radcliffe Desk Height Tables	16-17
Radcliffe Bar Height Tables	18-19
Albright Desk Height Tables	20-21
Albright Bar Height Tables	22-23
Chapala Desk Height Tables	24-25
Chapala Bar Height Tables	26-27
Haverford Desk Height Tables	28-29
Haverford Bar Height Tables	30-31
Terms and Conditions	32
Warranty	33

# laminates finishes

## thermofuse laminate (TFL)

Pricing shown in this price list applies only to TFL finishes currently included in the DeskMakers finish collection. For the most accurate finish list please see [deskmakers.com](https://www.deskmakers.com).

## high pressure laminate (HPL)

Pricing shown in this price list applies only to non-premium HPLs as follows:

- Wilsonart: Solids, Woodgrains, and Abstracts in Matte (-60) finish,
- Formica: Color Portfolio, Woodgrains, and Patterns in Matte (-58) finish
- Pionite: Solids, Woodgrains, and Abstracts in Suede (N) finish
- Arborite: Solids, Woodgrains, Textures and Abstracts in Matte (CA) finish
- Nevamar: Solids, Woodgrains, Stones and Abstracts in ARP (-T) finish

A minimum charge of \$573 net per HPL color will be applied to each order.

Call customer service for pricing for all other HPLs.

Additional lead times required for HPL orders depending on material availability and order complexity.

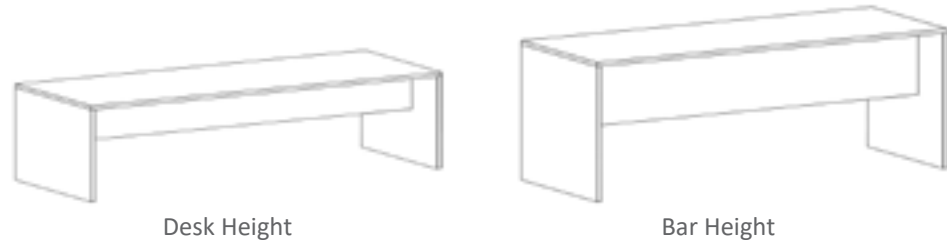
HPL is always available with DeskMakers standard 2MM edgebanding. Special order matching PVC 2MM edgebanding may be available for orders \$25,000 List or larger, call customer service for pricing.

# radcliffe

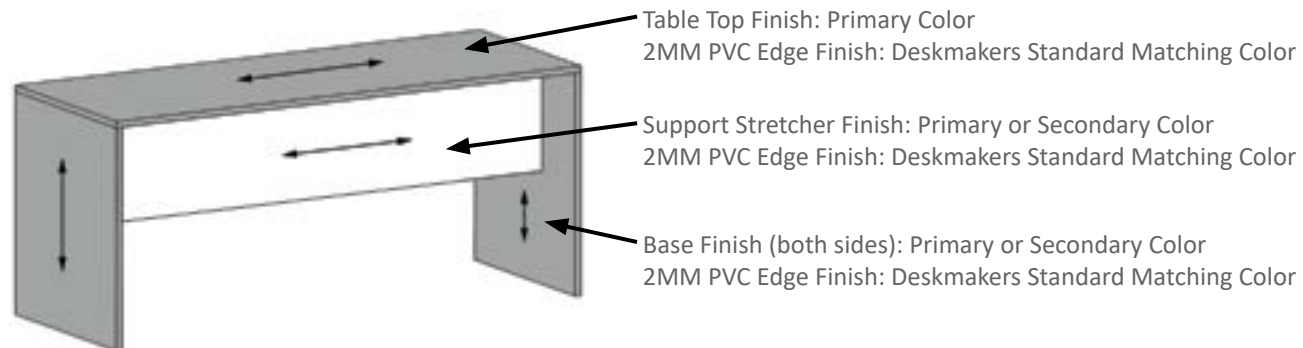


## details

- All 1-1/8" thick panels in TFL or HPL with Deskmakers standard 2MM PVC edge banding.
- Top over end panel construction.
- 12" high dual stretchers on desk height and 18" high on Bar height.
- Adjustable levelers.
- Ships unassembled.
- Tables over 96" available in Southern California and/or will call only.



## finishes and grain direction

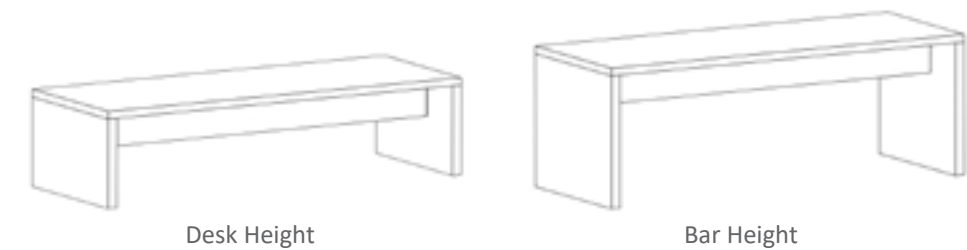


# albright

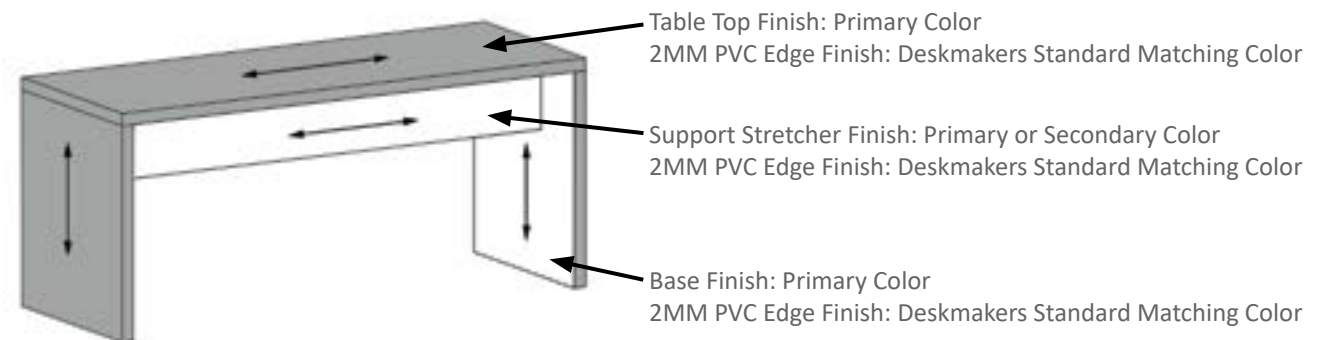


## details

- 1-7/8" thick top and end panels in TFL or HPL with Deskmakers standard 2MM PVC edge banding.
- Top over end panel construction.
- 1-1/8" thick 12" high dual stretchers.
- Adjustable levelers.
- Ships unassembled.
- Tables over 96" available in Southern California and/or will call only.



## finishes and grain direction

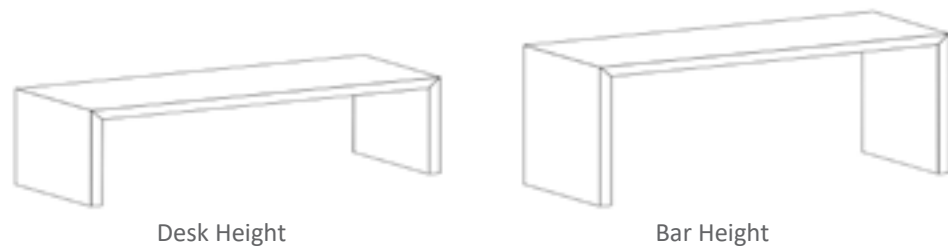


## chapala

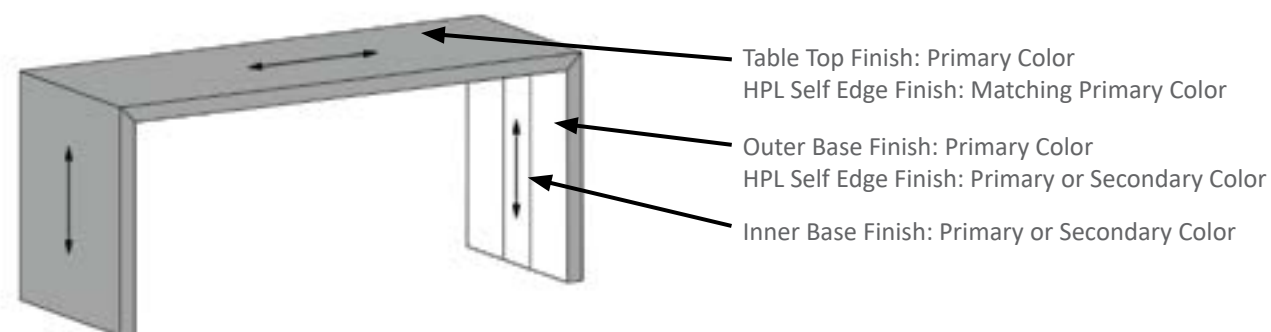


### details

- 3" thick top and end panels in HPL with self edge. TFL not available.
- Mitered corner construction with concealed metal support frame.
- Optional removable access door(s).
- Adjustable levelers.
- Ships assembled.
- Tables over 96" available in Southern California and/or will call only.



### finishes and grain direction

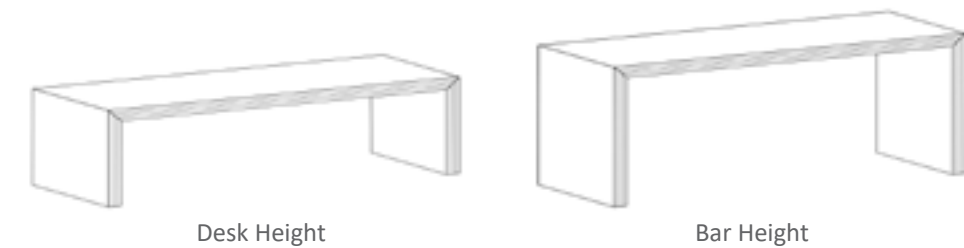


## haverford

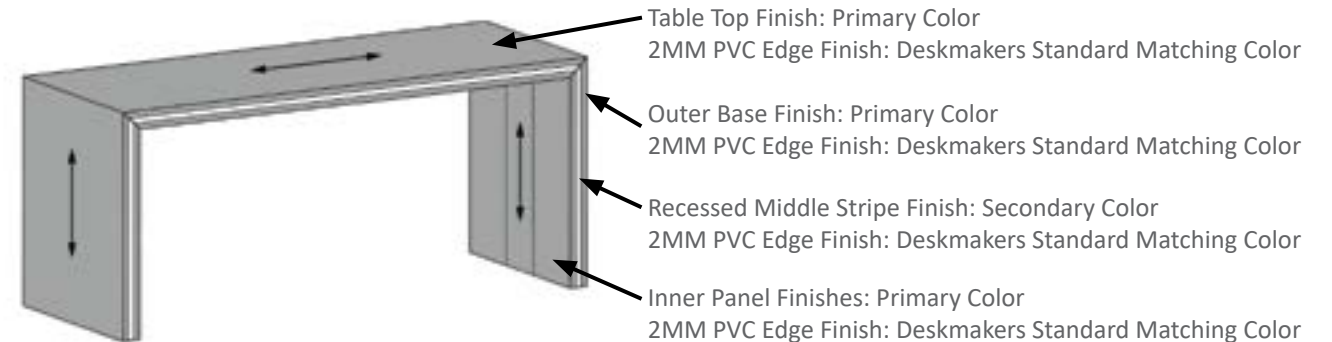


### details

- 3-3/8" thick top and end panels in HPL with Deskmakers standard 2MM PVC edge banding. TFL not available.
- Recessed middle accent color stripe.
- Mitered corner construction with concealed metal support frame.
- Optional removable access door(s).
- Adjustable levelers.
- Ships assembled.
- Tables over 96" available in Southern California and/or will call only.



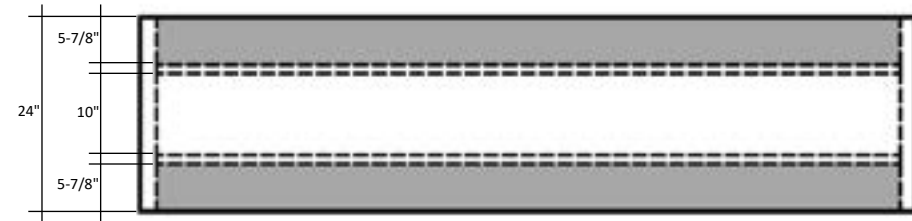
### finishes and grain direction



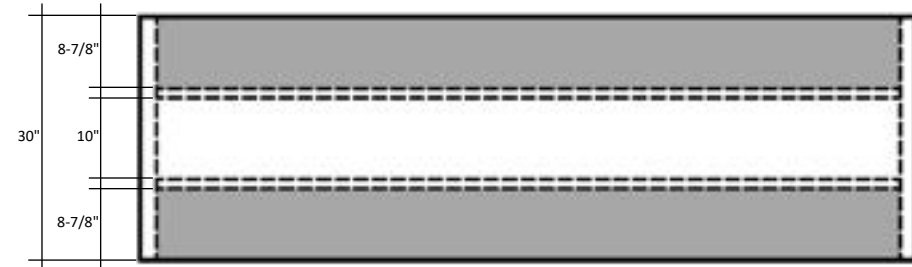
# radcliffe and albright clear knee space

Radcliffe and Albright tables have dual stretchers for support, stability and wire management. All stretchers provide a 10" clear opening for electrical. On smaller tables, the stretchers placement may interfere with leg room.

24" deep tables



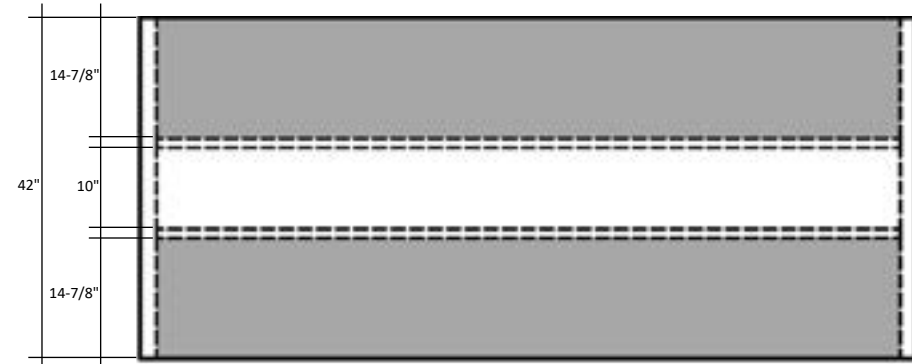
30" deep tables



36" deep tables

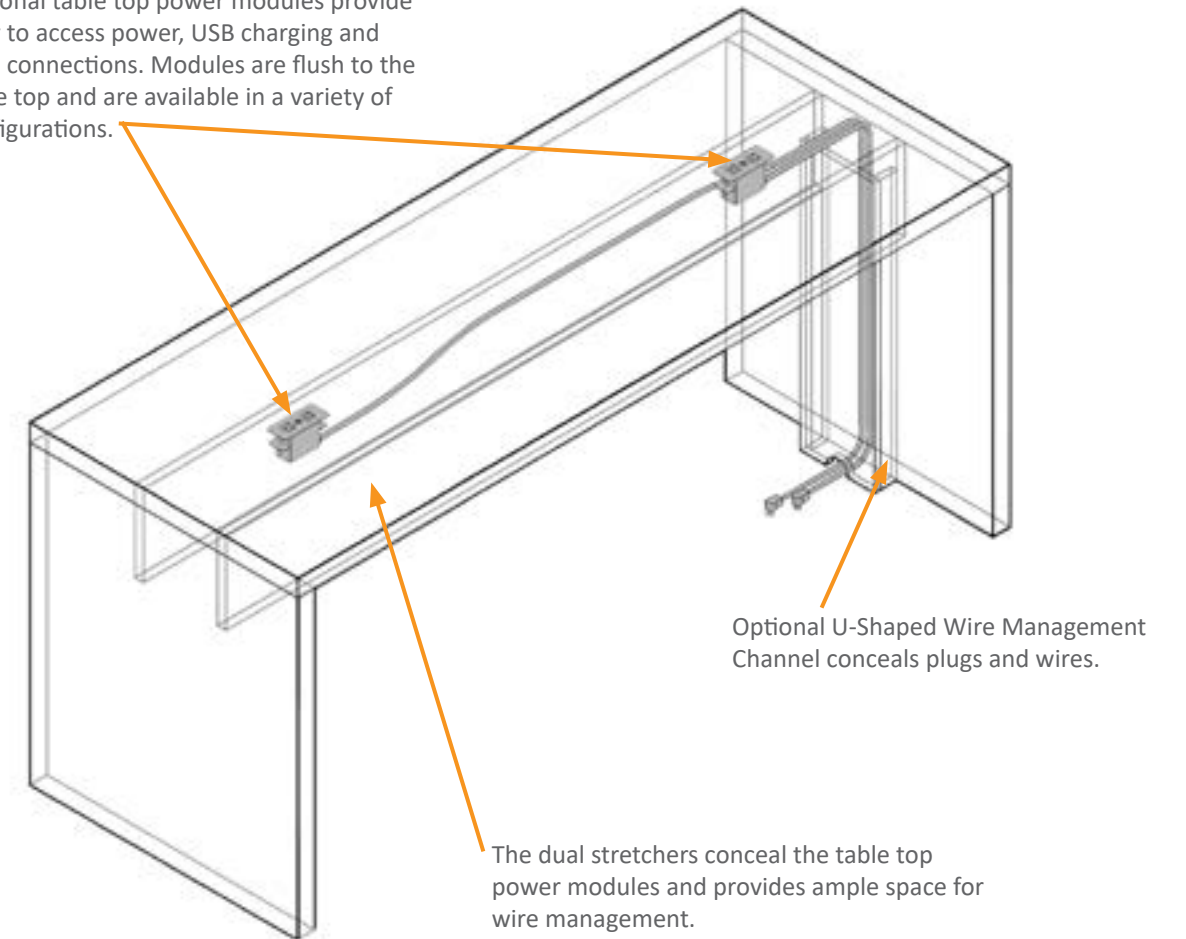


42" deep tables



# radcliffe and albright wiring

Optional table top power modules provide easy to access power, USB charging and data connections. Modules are flush to the table top and are available in a variety of configurations.

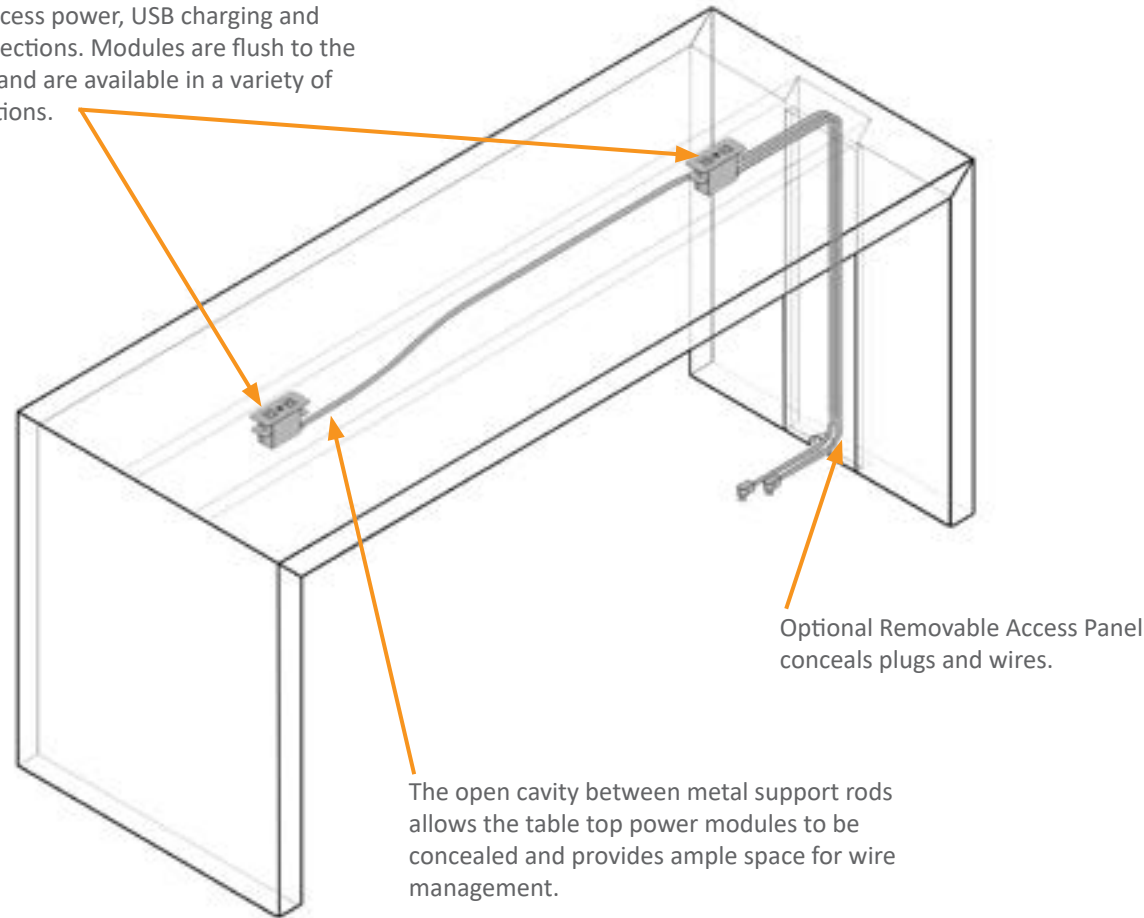


## u-shaped wire management channel



## chapala and haverford wiring

Optional table top power modules provide easy to access power, USB charging and data connections. Modules are flush to the table top and are available in a variety of configurations.



### removable access panel

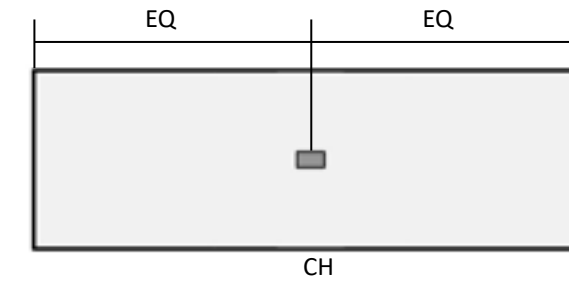


## grommet locations

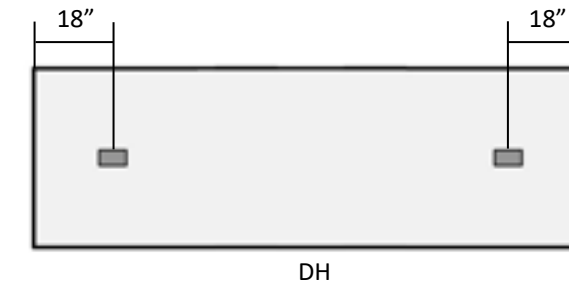
### grommet placement:

Grommets are always located centered on the depth of the table top.  
All dimensions are to the center of the grommet cutout.

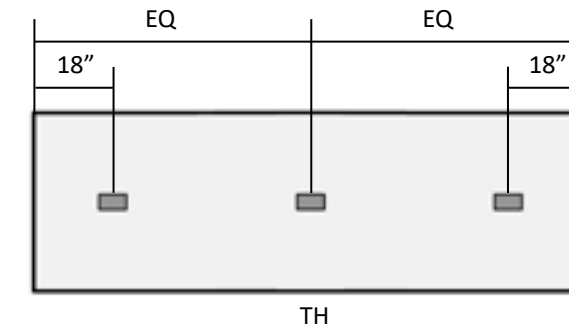
#### center grommet placement



#### end left and end right grommet placement



#### center and end grommet placement\*

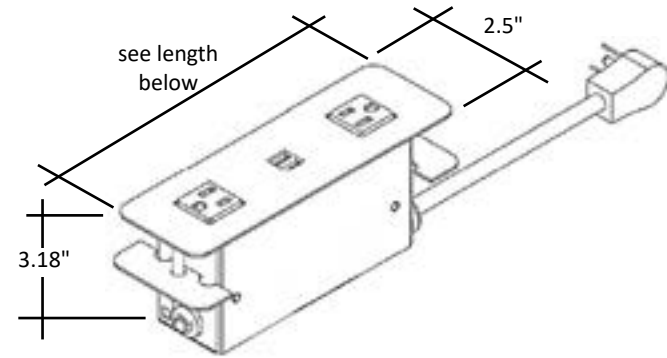


\*For tables above 96" only

For specific information and pricing on grommets please see the Electrical Pricebook.

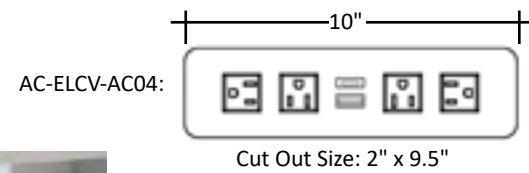
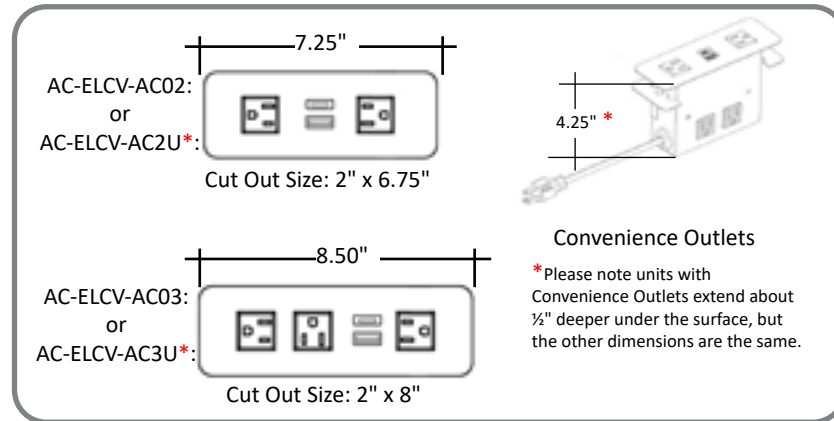
**Surface Mounted Power and USB Unit**

AC-ELCV-02, AC-ELCV-222C, AC-ELCV-03, AC-ELCV-321C, AC-ELCV-04  
See Electrical Pricebook for pricing and more power options



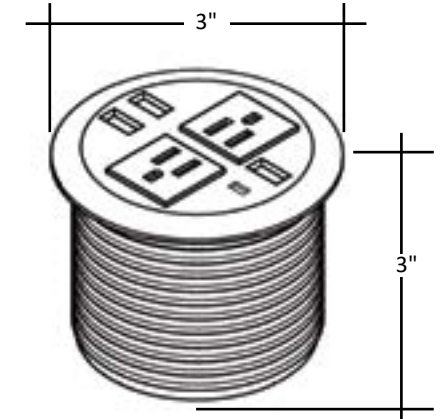
**Specifications**

- Multiple configurations available
- Spill resistant power outlets
- (1) 2.1A USB charging port
- (1) 60-watt USB-C charging port
- (1) 108" long 15amp plug cord
- Convenience outlets available on select sizes
- Tension mount
- Available finishes: Black, Silver (shown) and White



**Round Surface Mounted Grommets**

AC-PWRG-06  
See Electrical Pricebook for pricing and more power options



**Specifications**

- Round 3" grommet hole
- (2) Spill resistant power outlets
- (3) 2.1A USB charging ports
- (1) USB-C charging port
- (1) 72" long 15amp plug cord
- (1) Convenience outlet underneath unit
- Mounting Ring
- Available finishes: Black, and White

**Slim Under-Desk USB Power**

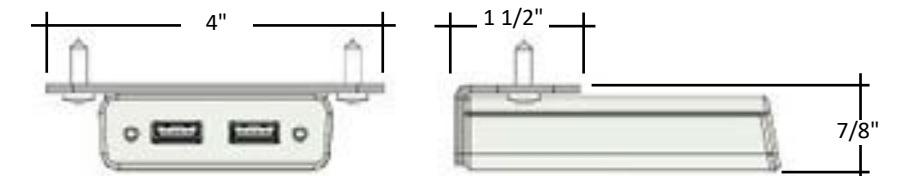
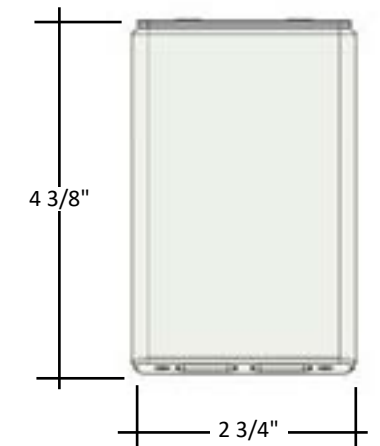
AC-UPWR-USB  
See Electrical Pricebook for pricing and more power options



(Blue LED glows softly when unit is powered and brightly when in use.)

**Specifications**

- Single size and configuration available
- (1) USB-A 5V 2.4A 10W charging port
- (1) USB-C 15W charging port
- Undermount unit includes brackets and screws
- (1) 72" long 15amp cord with DC end/AC Adaptor
- Available finishes: White, Black and Grey
- Single unit - not daisy-chainable. For a system solution please contact customer service.



Radcliffe

Desk Height Parsons Table



Model Number	Width	Length	Height	TFL (T)	HPL (H)
<b>24" Wide</b>					
CN-GR1D-2460-?	24	60	29	\$1,257	\$2,088
CN-GR1D-2466-?	24	66	29	\$1,300	\$2,161
CN-GR1D-2472-?	24	72	29	\$1,342	\$2,231
CN-GR1D-2478-?	24	78	29	\$1,385	\$2,303
CN-GR1D-2484-?	24	84	29	\$1,430	\$2,376
CN-GR1D-2490-?	24	90	29	\$1,647	\$2,737
CN-GR1D-2496-?	24	96	29	\$1,689	\$2,809
CN-GR1D-2402-?	24	102	29	N/A	\$3,154
CN-GR1D-2408-?	24	108	29	N/A	\$3,236
CN-GR1D-2414-?	24	114	29	N/A	\$3,314
CN-GR1D-2420-?	24	120	29	N/A	\$3,394
<b>30" Wide</b>					
CN-GR1D-3060-?	30	60	29	\$1,443	\$2,400
CN-GR1D-3066-?	30	66	29	\$1,496	\$2,488
CN-GR1D-3072-?	30	72	29	\$1,551	\$2,579
CN-GR1D-3078-?	30	78	29	\$1,604	\$2,666
CN-GR1D-3084-?	30	84	29	\$1,660	\$2,759
CN-GR1D-3090-?	30	90	29	\$1,886	\$3,138
CN-GR1D-3096-?	30	96	29	\$1,942	\$3,227
CN-GR1D-3002-?	30	102	29	N/A	\$3,633
CN-GR1D-3008-?	30	108	29	N/A	\$3,735
CN-GR1D-3014-?	30	114	29	N/A	\$3,832
CN-GR1D-3020-?	30	120	29	N/A	\$3,931

- 1-1/8" thick panels are TFL or HPL with Deskmakers standard 2MM PVC edge banding, HPL self edge not available.
- Top over end panel construction with 12" high dual support Stretchers.
- Adjustable levelers.
- Ships unassembled.
- Tables over 96" available in Southern California and/or will call only.

U-Shaped Wire Management Channel



Model Number	Depth	Width	Height	Price
CN-UCHN-GR1D	3	8	16	\$335

- 3/4" thermofuse laminate material only. Ships with mounting hardware for securing to table base.

Radcliffe

Desk Height Parsons Table



Model Number	Width	Length	Height	TFL (T)	HPL (H)
<b>36" Wide</b>					
CN-GR1D-3660-?	36	60	29	\$1,629	\$2,707
CN-GR1D-3666-?	36	66	29	\$1,695	\$2,818
CN-GR1D-3672-?	36	72	29	\$1,759	\$2,924
CN-GR1D-3678-?	36	78	29	\$1,825	\$3,035
CN-GR1D-3684-?	36	84	29	\$1,889	\$3,139
CN-GR1D-3690-?	36	90	29	\$2,129	\$3,540
CN-GR1D-3696-?	36	96	29	\$2,194	\$3,646
CN-GR1D-3602-?	36	102	29	N/A	\$4,113
CN-GR1D-3608-?	36	108	29	N/A	\$4,227
CN-GR1D-3614-?	36	114	29	N/A	\$4,350
CN-GR1D-3620-?	36	120	29	N/A	\$4,469
<b>42" Wide</b>					
CN-GR1D-4260-?	42	60	29	\$1,817	\$3,019
CN-GR1D-4266-?	42	66	29	\$1,891	\$3,143
CN-GR1D-4272-?	42	72	29	\$1,967	\$3,271
CN-GR1D-4278-?	42	78	29	\$2,044	\$3,397
CN-GR1D-4284-?	42	84	29	\$2,121	\$3,524
CN-GR1D-4290-?	42	90	29	\$2,369	\$3,936
CN-GR1D-4296-?	42	96	29	\$2,445	\$4,063
CN-GR1D-4202-?	42	102	29	N/A	\$4,590
CN-GR1D-4208-?	42	108	29	N/A	\$4,728
CN-GR1D-4214-?	42	114	29	N/A	\$4,864
CN-GR1D-4220-?	42	120	29	N/A	\$5,005

- 1-1/8" thick panels are TFL or HPL with Deskmakers standard 2MM PVC edge banding, HPL self edge not available.
- Top over end panel construction with 12" high dual support Stretchers.
- Adjustable levelers.
- Ships unassembled.
- Tables over 96" available in Southern California and/or will call only.

U-Shaped Wire Management Channel



Model Number	Depth	Width	Height	Price
CN-UCHN-GR1D	3	8	16	\$335

- 3/4" thermofuse laminate material only. Ships with mounting hardware for securing to table base.

Radcliffe

2-Piece Desk Height Parsons Table



Model Number	Width	Length	Center Leg	Height	TFL (T)	HPL (H)
<b>24" Wide</b>						
CN-G1D2-2402-?	24	102	16	29	\$2,365	\$3,929
CN-G1D2-2408-?	24	108	16	29	\$2,414	\$4,011
CN-G1D2-2414-?	24	114	16	29	\$2,463	\$4,092
CN-G1D2-2420-?	24	120	16	29	\$2,513	\$4,176
CN-G1D2-2426-?	24	126	16	29	\$2,557	\$4,249
CN-G1D2-2432-?	24	132	16	29	\$2,600	\$4,323
CN-G1D2-2438-?	24	138	16	29	\$2,642	\$4,391
CN-G1D2-2444-?	24	144	16	29	\$2,683	\$4,460
CN-G1D2-2450-?	24	150	16	29	\$2,727	\$4,534
CN-G1D2-2456-?	24	156	16	29	\$2,770	\$4,607
CN-G1D2-2462-?	24	162	16	29	\$2,815	\$4,680
CN-G1D2-2468-?	24	168	16	29	\$2,860	\$4,754
CN-G1D2-2474-?	24	174	16	29	\$3,076	\$5,114
CN-G1D2-2480-?	24	180	16	29	\$3,293	\$5,474
CN-G1D2-2486-?	24	186	16	29	\$3,335	\$5,546
CN-G1D2-2492-?	24	192	16	29	\$3,378	\$5,618
<b>30" Wide</b>						
CN-G1D2-3002-?	30	102	18	29	\$2,717	\$4,518
CN-G1D2-3008-?	30	108	18	29	\$2,772	\$4,609
CN-G1D2-3014-?	30	114	18	29	\$2,830	\$4,703
CN-G1D2-3020-?	30	120	18	29	\$2,887	\$4,800
CN-G1D2-3026-?	30	126	18	29	\$2,940	\$4,888
CN-G1D2-3032-?	30	132	18	29	\$2,993	\$4,976
CN-G1D2-3038-?	30	138	18	29	\$3,047	\$5,067
CN-G1D2-3044-?	30	144	18	29	\$3,100	\$5,157
CN-G1D2-3050-?	30	150	18	29	\$3,154	\$5,245
CN-G1D2-3056-?	30	156	18	29	\$3,208	\$5,332
CN-G1D2-3062-?	30	162	18	29	\$3,264	\$5,425
CN-G1D2-3068-?	30	168	18	29	\$3,321	\$5,517
CN-G1D2-3074-?	30	174	18	29	\$3,546	\$5,897
CN-G1D2-3080-?	30	180	18	29	\$3,772	\$6,276
CN-G1D2-3086-?	30	186	18	29	\$3,828	\$6,365
CN-G1D2-3092-?	30	192	18	29	\$3,885	\$6,453

- 1-1/8" thick panels are TFL or HPL with Deskmakers standard 2MM PVC edge banding, HPL self edge not available.
- Top over end panel construction with 12" high dual support Stretchers.
- Adjustable levelers.
- Ships unassembled.

Radcliffe

2-Piece Desk Height Parsons Table

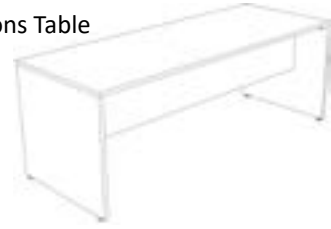


Model Number	Width	Length	Center Leg	Height	TFL (T)	HPL (H)
<b>36" Wide</b>						
CN-G1D2-3602-?	36	102	18	29	\$3,067	\$5,095
CN-G1D2-3608-?	36	108	18	29	\$3,129	\$5,200
CN-G1D2-3614-?	36	114	18	29	\$3,193	\$5,306
CN-G1D2-3620-?	36	120	18	29	\$3,259	\$5,414
CN-G1D2-3626-?	36	126	18	29	\$3,324	\$5,524
CN-G1D2-3632-?	36	132	18	29	\$3,389	\$5,634
CN-G1D2-3638-?	36	138	18	29	\$3,454	\$5,747
CN-G1D2-3644-?	36	144	18	29	\$3,518	\$5,859
CN-G1D2-3650-?	36	150	18	29	\$3,584	\$5,947
CN-G1D2-3656-?	36	156	18	29	\$3,651	\$6,036
CN-G1D2-3662-?	36	162	18	29	\$3,715	\$6,157
CN-G1D2-3668-?	36	168	18	29	\$3,779	\$6,279
CN-G1D2-3674-?	36	174	18	29	\$4,018	\$6,679
CN-G1D2-3680-?	36	180	18	29	\$4,256	\$7,079
CN-G1D2-3686-?	36	186	18	29	\$4,323	\$7,186
CN-G1D2-3692-?	36	192	18	29	\$4,389	\$7,292
<b>42" Wide</b>						
CN-G1D2-4202-?	42	102	21	29	\$3,421	\$5,683
CN-G1D2-4208-?	42	108	21	29	\$3,490	\$5,798
CN-G1D2-4214-?	42	114	21	29	\$3,562	\$5,918
CN-G1D2-4220-?	42	120	21	29	\$3,635	\$6,038
CN-G1D2-4226-?	42	126	21	29	\$3,708	\$6,162
CN-G1D2-4232-?	42	132	21	29	\$3,781	\$6,286
CN-G1D2-4238-?	42	138	21	29	\$3,857	\$6,414
CN-G1D2-4244-?	42	144	21	29	\$3,933	\$6,542
CN-G1D2-4250-?	42	150	21	29	\$4,010	\$6,669
CN-G1D2-4256-?	42	156	21	29	\$4,086	\$6,795
CN-G1D2-4262-?	42	162	21	29	\$4,163	\$6,921
CN-G1D2-4268-?	42	168	21	29	\$4,240	\$7,047
CN-G1D2-4274-?	42	174	21	29	\$4,489	\$7,460
CN-G1D2-4280-?	42	180	21	29	\$4,738	\$7,873
CN-G1D2-4286-?	42	186	21	29	\$4,813	\$7,999
CN-G1D2-4292-?	42	192	21	29	\$4,889	\$8,125

- 1-1/8" thick panels are TFL or HPL with Deskmakers standard 2MM PVC edge banding, HPL self edge not available.
- Top over end panel construction with 12" high dual support Stretchers.
- Adjustable levelers.
- Ships unassembled.

Radcliffe

Counter Height Parsons Table



Model Number	Width	Length	Height	TFL (T)	HPL (H)
<b>24" Wide</b>					
CN-GR1C-2460-?	24	60	36	\$1,274	\$2,079
CN-GR1C-2466-?	24	66	36	\$1,319	\$2,150
CN-GR1C-2472-?	24	72	36	\$1,363	\$2,221
CN-GR1C-2478-?	24	78	36	\$1,409	\$2,294
CN-GR1C-2484-?	24	84	36	\$1,456	\$2,367
CN-GR1C-2490-?	24	90	36	\$1,684	\$2,728
CN-GR1C-2496-?	24	96	36	\$1,728	\$2,797
CN-GR1C-2402-?	24	102	36	N/A	\$3,157
CN-GR1C-2408-?	24	108	36	N/A	\$3,239
CN-GR1C-2414-?	24	114	36	N/A	\$3,316
CN-GR1C-2420-?	24	120	36	N/A	\$3,394
<b>30" Wide</b>					
CN-GR1C-3060-?	30	60	36	\$1,485	\$2,413
CN-GR1C-3066-?	30	66	36	\$1,542	\$2,504
CN-GR1C-3072-?	30	72	36	\$1,598	\$2,593
CN-GR1C-3078-?	30	78	36	\$1,655	\$2,683
CN-GR1C-3084-?	30	84	36	\$1,713	\$2,776
CN-GR1C-3090-?	30	90	36	\$1,953	\$3,151
CN-GR1C-3096-?	30	96	36	\$2,010	\$3,242
CN-GR1C-3002-?	30	102	36	N/A	\$3,661
CN-GR1C-3008-?	30	108	36	N/A	\$3,763
CN-GR1C-3014-?	30	114	36	N/A	\$3,862
CN-GR1C-3020-?	30	120	36	N/A	\$3,959

- 1-1/8" thick panels are TFL or HPL with Deskmakers standard 2MM PVC edge banding, HPL self edge not available.
- Top over end panel construction with 12" high dual support Stretchers.
- Adjustable levelers.
- Ships unassembled.
- Tables over 96" available in Southern California and/or will call only.

U-Shaped Wire Management Channel



Model Number	Depth	Width	Height	Price
CN-UCHN-GR1C	3	8	16 3/8	\$356

- 3/4" thermofuse laminate material only. Ships with mounting hardware for securing to table base.

Radcliffe

Counter Height Parsons Table



Model Number	Width	Length	Height	TFL (T)	HPL (H)
<b>36" Wide</b>					
CN-GR1C-3660-?	36	60	36	\$1,698	\$2,748
CN-GR1C-3666-?	36	66	36	\$1,767	\$2,858
CN-GR1C-3672-?	36	72	36	\$1,835	\$2,966
CN-GR1C-3678-?	36	78	36	\$1,904	\$3,075
CN-GR1C-3684-?	36	84	36	\$1,971	\$3,182
CN-GR1C-3690-?	36	90	36	\$2,225	\$3,578
CN-GR1C-3696-?	36	96	36	\$2,291	\$3,688
CN-GR1C-3602-?	36	102	36	N/A	\$4,172
CN-GR1C-3608-?	36	108	36	N/A	\$4,287
CN-GR1C-3614-?	36	114	36	N/A	\$4,407
CN-GR1C-3620-?	36	120	36	N/A	\$4,526
<b>42" Wide</b>					
CN-GR1C-4260-?	42	60	36	\$1,911	\$3,087
CN-GR1C-4266-?	42	66	36	\$1,988	\$3,210
CN-GR1C-4272-?	42	72	36	\$2,069	\$3,336
CN-GR1C-4278-?	42	78	36	\$2,151	\$3,464
CN-GR1C-4284-?	42	84	36	\$2,232	\$3,592
CN-GR1C-4290-?	42	90	36	\$2,492	\$4,005
CN-GR1C-4296-?	42	96	36	\$2,573	\$4,131
CN-GR1C-4202-?	42	102	36	N/A	\$4,676
CN-GR1C-4208-?	42	108	36	N/A	\$4,817
CN-GR1C-4214-?	42	114	36	N/A	\$4,951
CN-GR1C-4220-?	42	120	36	N/A	\$5,089

- 1-1/8" thick panels are TFL or HPL with Deskmakers standard 2MM PVC edge banding, HPL self edge not available.
- Top over end panel construction with 12" high dual support Stretchers.
- Adjustable levelers.
- Ships unassembled.
- Tables over 96" available in Southern California and/or will call only.

U-Shaped Wire Management Channel



Model Number	Depth	Width	Height	Price
CN-UCHN-GR1C	3	8	16 3/8	\$356

- 3/4" thermofuse laminate material only. Ships with mounting hardware for securing to table base.

## Radcliffe

## 2-Piece Counter Height Parsons Table



Model Number	Width	Length	Center Leg	Height	TFL (T)	HPL (H)
<b>24" Wide</b>						
CN-G1C2-2402-?	24	102	16	36	\$2,398	\$3,913
CN-G1C2-2408-?	24	108	16	36	\$2,447	\$3,992
CN-G1C2-2414-?	24	114	16	36	\$2,497	\$4,074
CN-G1C2-2420-?	24	120	16	36	\$2,548	\$4,158
CN-G1C2-2426-?	24	126	16	36	\$2,592	\$4,229
CN-G1C2-2432-?	24	132	16	36	\$2,637	\$4,300
CN-G1C2-2438-?	24	138	16	36	\$2,682	\$4,371
CN-G1C2-2444-?	24	144	16	36	\$2,727	\$4,442
CN-G1C2-2450-?	24	150	16	36	\$2,772	\$4,515
CN-G1C2-2456-?	24	156	16	36	\$2,818	\$4,589
CN-G1C2-2462-?	24	162	16	36	\$2,865	\$4,661
CN-G1C2-2468-?	24	168	16	36	\$2,912	\$4,733
CN-G1C2-2474-?	24	174	16	36	\$3,141	\$5,094
CN-G1C2-2480-?	24	180	16	36	\$3,369	\$5,456
CN-G1C2-2486-?	24	186	16	36	\$3,412	\$5,525
CN-G1C2-2492-?	24	192	16	36	\$3,456	\$5,595
<b>30" Wide</b>						
CN-G1C2-3002-?	30	102	18	36	\$2,795	\$4,543
CN-G1C2-3008-?	30	108	18	36	\$2,852	\$4,636
CN-G1C2-3014-?	30	114	18	36	\$2,910	\$4,731
CN-G1C2-3020-?	30	120	18	36	\$2,970	\$4,827
CN-G1C2-3026-?	30	126	18	36	\$3,027	\$4,918
CN-G1C2-3032-?	30	132	18	36	\$3,084	\$5,008
CN-G1C2-3038-?	30	138	18	36	\$3,141	\$5,097
CN-G1C2-3044-?	30	144	18	36	\$3,197	\$5,185
CN-G1C2-3050-?	30	150	18	36	\$3,254	\$5,276
CN-G1C2-3056-?	30	156	18	36	\$3,311	\$5,366
CN-G1C2-3062-?	30	162	18	36	\$3,369	\$5,459
CN-G1C2-3068-?	30	168	18	36	\$3,426	\$5,552
CN-G1C2-3074-?	30	174	18	36	\$3,666	\$5,927
CN-G1C2-3080-?	30	180	18	36	\$3,905	\$6,302
CN-G1C2-3086-?	30	186	18	36	\$3,963	\$6,392
CN-G1C2-3092-?	30	192	18	36	\$4,020	\$6,483

- 1-1/8" thick panels are TFL or HPL with Deskmakers standard 2MM PVC edge banding, HPL self edge not available.

- Top over end panel construction with 12" high dual support Stretchers.

- Adjustable levelers.

- Ships unassembled.

## Radcliffe

## 2-Piece Counter Height Parsons Table



Model Number	Width	Length	Center Leg	Height	TFL (T)	HPL (H)
<b>36" Wide</b>						
CN-G1C2-3602-?	36	102	18	36	\$3,197	\$5,171
CN-G1C2-3608-?	36	108	18	36	\$3,262	\$5,277
CN-G1C2-3614-?	36	114	18	36	\$3,329	\$5,384
CN-G1C2-3620-?	36	120	18	36	\$3,396	\$5,495
CN-G1C2-3626-?	36	126	18	36	\$3,465	\$5,605
CN-G1C2-3632-?	36	132	18	36	\$3,534	\$5,715
CN-G1C2-3638-?	36	138	18	36	\$3,601	\$5,824
CN-G1C2-3644-?	36	144	18	36	\$3,669	\$5,933
CN-G1C2-3650-?	36	150	18	36	\$3,738	\$6,041
CN-G1C2-3656-?	36	156	18	36	\$3,807	\$6,150
CN-G1C2-3662-?	36	162	18	36	\$3,874	\$6,257
CN-G1C2-3668-?	36	168	18	36	\$3,942	\$6,364
CN-G1C2-3674-?	36	174	18	36	\$4,195	\$6,760
CN-G1C2-3680-?	36	180	18	36	\$4,449	\$7,157
CN-G1C2-3686-?	36	186	18	36	\$4,515	\$7,267
CN-G1C2-3692-?	36	192	18	36	\$4,582	\$7,377
<b>42" Wide</b>						
CN-G1C2-4202-?	42	102	21	36	\$3,596	\$5,812
CN-G1C2-4208-?	42	108	21	36	\$3,669	\$5,931
CN-G1C2-4214-?	42	114	21	36	\$3,744	\$6,052
CN-G1C2-4220-?	42	120	21	36	\$3,820	\$6,176
CN-G1C2-4226-?	42	126	21	36	\$3,898	\$6,298
CN-G1C2-4232-?	42	132	21	36	\$3,976	\$6,421
CN-G1C2-4238-?	42	138	21	36	\$4,058	\$6,547
CN-G1C2-4244-?	42	144	21	36	\$4,139	\$6,673
CN-G1C2-4250-?	42	150	21	36	\$4,221	\$6,800
CN-G1C2-4256-?	42	156	21	36	\$4,302	\$6,928
CN-G1C2-4262-?	42	162	21	36	\$4,382	\$7,056
CN-G1C2-4268-?	42	168	21	36	\$4,463	\$7,185
CN-G1C2-4274-?	42	174	21	36	\$4,723	\$7,597
CN-G1C2-4280-?	42	180	21	36	\$4,983	\$8,010
CN-G1C2-4286-?	42	186	21	36	\$5,065	\$8,136
CN-G1C2-4292-?	42	192	21	36	\$5,146	\$8,262

- 1-1/8" thick panels are TFL or HPL with Deskmakers standard 2MM PVC edge banding, HPL self edge not available.

- Top over end panel construction with 12" high dual support Stretchers.

- Adjustable levelers.

- Ships unassembled.

Radcliffe

Bar Height Parsons Table



Model Number	Width	Length	Height	TFL (T)	HPL (H)
<b>24" Wide</b>					
CN-GR1S-2460-?	24	60	42	\$1,404	\$2,216
CN-GR1S-2466-?	24	66	42	\$1,450	\$2,287
CN-GR1S-2472-?	24	72	42	\$1,494	\$2,359
CN-GR1S-2478-?	24	78	42	\$1,539	\$2,432
CN-GR1S-2484-?	24	84	42	\$1,587	\$2,504
CN-GR1S-2490-?	24	90	42	\$1,815	\$2,866
CN-GR1S-2496-?	24	96	42	\$1,859	\$2,935
CN-GR1S-2402-?	24	102	42	N/A	\$3,294
CN-GR1S-2408-?	24	108	42	N/A	\$3,376
CN-GR1S-2414-?	24	114	42	N/A	\$3,454
CN-GR1S-2420-?	24	120	42	N/A	\$3,532
<b>30" Wide</b>					
CN-GR1S-3060-?	30	60	42	\$1,615	\$2,551
CN-GR1S-3066-?	30	66	42	\$1,673	\$2,641
CN-GR1S-3072-?	30	72	42	\$1,729	\$2,730
CN-GR1S-3078-?	30	78	42	\$1,786	\$2,821
CN-GR1S-3084-?	30	84	42	\$1,844	\$2,914
CN-GR1S-3090-?	30	90	42	\$2,084	\$3,289
CN-GR1S-3096-?	30	96	42	\$2,141	\$3,380
CN-GR1S-3002-?	30	102	42	N/A	\$3,799
CN-GR1S-3008-?	30	108	42	N/A	\$3,900
CN-GR1S-3014-?	30	114	42	N/A	\$4,000
CN-GR1S-3020-?	30	120	42	N/A	\$4,097

- 1-1/8" thick panels are TFL or HPL with Deskmakers standard 2MM PVC edge banding, HPL self edge not available.
- Top over end panel construction with 18" high dual support Stretchers.
- Adjustable levelers.
- Ships unassembled.
- Tables over 96" available in Southern California and/or will call only.

U-Shaped Wire Management Channel



Model Number	Depth	Length	Height	Price
CN-UCHN-GR1S	3	8	29	\$377

- 3/4" thermofuse laminate material only. Ships with mounting hardware for securing to table base.

Radcliffe

Bar Height Parsons Table



Model Number	Width	Length	Height	TFL (T)	HPL (H)
<b>36" Wide</b>					
CN-GR1S-3660-?	36	60	42	\$1,828	\$2,885
CN-GR1S-3666-?	36	66	42	\$1,898	\$2,995
CN-GR1S-3672-?	36	72	42	\$1,965	\$3,104
CN-GR1S-3678-?	36	78	42	\$2,035	\$3,212
CN-GR1S-3684-?	36	84	42	\$2,102	\$3,319
CN-GR1S-3690-?	36	90	42	\$2,356	\$3,716
CN-GR1S-3696-?	36	96	42	\$2,421	\$3,826
CN-GR1S-3602-?	36	102	42	N/A	\$4,309
CN-GR1S-3608-?	36	108	42	N/A	\$4,424
CN-GR1S-3614-?	36	114	42	N/A	\$4,545
CN-GR1S-3620-?	36	120	42	N/A	\$4,664
<b>42" Wide</b>					
CN-GR1S-4260-?	42	60	42	\$2,041	\$3,225
CN-GR1S-4266-?	42	66	42	\$2,119	\$3,348
CN-GR1S-4272-?	42	72	42	\$2,200	\$3,474
CN-GR1S-4278-?	42	78	42	\$2,281	\$3,602
CN-GR1S-4284-?	42	84	42	\$2,362	\$3,730
CN-GR1S-4290-?	42	90	42	\$2,623	\$4,143
CN-GR1S-4296-?	42	96	42	\$2,704	\$4,269
CN-GR1S-4202-?	42	102	42	N/A	\$4,814
CN-GR1S-4208-?	42	108	42	N/A	\$4,954
CN-GR1S-4214-?	42	114	42	N/A	\$5,089
CN-GR1S-4220-?	42	120	42	N/A	\$5,227

- 1-1/8" thick panels are TFL or HPL with Deskmakers standard 2MM PVC edge banding, HPL self edge not available.
- Top over end panel construction with 18" high dual support Stretchers.
- Adjustable levelers.
- Ships unassembled.
- Tables over 96" available in Southern California and/or will call only.

U-Shaped Wire Management Channel



Model Number	Depth	Width	Height	Price
CN-UCHN-GR1S	3	8	29	\$377

- 3/4" thermofuse laminate material only. Ships with mounting hardware for securing to table base.

Radcliffe

2-Piece Bar Height Parsons Table



Model Number	Width	Length	Center Leg	Height	TFL (T)	HPL (H)
<b>24" Wide</b>						
CN-G1S2-2402-?	24	102	16	42	\$2,644	\$4,172
CN-G1S2-2408-?	24	108	16	42	\$2,686	\$4,257
CN-G1S2-2414-?	24	114	16	42	\$2,753	\$4,344
CN-G1S2-2420-?	24	120	16	42	\$2,809	\$4,433
CN-G1S2-2426-?	24	126	16	42	\$2,854	\$4,504
CN-G1S2-2432-?	24	132	16	42	\$2,899	\$4,575
CN-G1S2-2438-?	24	138	16	42	\$2,943	\$4,646
CN-G1S2-2444-?	24	144	16	42	\$2,988	\$4,717
CN-G1S2-2450-?	24	150	16	42	\$3,034	\$4,790
CN-G1S2-2456-?	24	156	16	42	\$3,080	\$4,864
CN-G1S2-2462-?	24	162	16	42	\$3,127	\$4,936
CN-G1S2-2468-?	24	168	16	42	\$3,174	\$5,008
CN-G1S2-2474-?	24	174	16	42	\$3,402	\$5,370
CN-G1S2-2480-?	24	180	16	42	\$3,630	\$5,731
CN-G1S2-2486-?	24	186	16	42	\$3,674	\$5,801
CN-G1S2-2492-?	24	192	16	42	\$3,717	\$5,871
<b>30" Wide</b>						
CN-G1S2-3002-?	30	102	18	42	\$3,041	\$4,802
CN-G1S2-3008-?	30	108	18	42	\$3,103	\$4,901
CN-G1S2-3014-?	30	114	18	42	\$3,167	\$5,000
CN-G1S2-3020-?	30	120	18	42	\$3,231	\$5,102
CN-G1S2-3026-?	30	126	18	42	\$3,288	\$5,193
CN-G1S2-3032-?	30	132	18	42	\$3,346	\$5,284
CN-G1S2-3038-?	30	138	18	42	\$3,402	\$5,372
CN-G1S2-3044-?	30	144	18	42	\$3,458	\$5,460
CN-G1S2-3050-?	30	150	18	42	\$3,515	\$5,551
CN-G1S2-3056-?	30	156	18	42	\$3,573	\$5,641
CN-G1S2-3062-?	30	162	18	42	\$3,630	\$5,734
CN-G1S2-3068-?	30	168	18	42	\$3,687	\$5,827
CN-G1S2-3074-?	30	174	18	42	\$3,927	\$6,202
CN-G1S2-3080-?	30	180	18	42	\$4,167	\$6,577
CN-G1S2-3086-?	30	186	18	42	\$4,224	\$6,667
CN-G1S2-3092-?	30	192	18	42	\$4,281	\$6,758

- 1-1/8" thick panels are TFL or HPL with Deskmakers standard 2MM PVC edge banding, HPL self edge not available.
- Top over end panel construction with 12" high dual support Stretchers.
- Adjustable levelers.
- Ships unassembled.

Radcliffe

2-Piece Bar Height Parsons Table



Model Number	Width	Length	Center Leg	Height	TFL (T)	HPL (H)
<b>36" Wide</b>						
CN-G1S2-3602-?	36	102	18	42	\$3,442	\$5,430
CN-G1S2-3608-?	36	108	18	42	\$3,513	\$5,542
CN-G1S2-3614-?	36	114	18	42	\$3,584	\$5,654
CN-G1S2-3620-?	36	120	18	42	\$3,658	\$5,770
CN-G1S2-3626-?	36	126	18	42	\$3,726	\$5,880
CN-G1S2-3632-?	36	132	18	42	\$3,795	\$5,990
CN-G1S2-3638-?	36	138	18	42	\$3,863	\$6,099
CN-G1S2-3644-?	36	144	18	42	\$3,931	\$6,208
CN-G1S2-3650-?	36	150	18	42	\$3,999	\$6,317
CN-G1S2-3656-?	36	156	18	42	\$4,068	\$6,426
CN-G1S2-3662-?	36	162	18	42	\$4,136	\$6,532
CN-G1S2-3668-?	36	168	18	42	\$4,203	\$6,639
CN-G1S2-3674-?	36	174	18	42	\$4,457	\$7,036
CN-G1S2-3680-?	36	180	18	42	\$4,710	\$7,432
CN-G1S2-3686-?	36	186	18	42	\$4,777	\$7,542
CN-G1S2-3692-?	36	192	18	42	\$4,843	\$7,652
<b>42" Wide</b>						
CN-G1S2-4202-?	42	102	21	42	\$3,842	\$6,071
CN-G1S2-4208-?	42	108	21	42	\$3,920	\$6,195
CN-G1S2-4214-?	42	114	21	42	\$4,000	\$6,321
CN-G1S2-4220-?	42	120	21	42	\$4,082	\$6,451
CN-G1S2-4226-?	42	126	21	42	\$4,160	\$6,573
CN-G1S2-4232-?	42	132	21	42	\$4,238	\$6,696
CN-G1S2-4238-?	42	138	21	42	\$4,319	\$6,822
CN-G1S2-4244-?	42	144	21	42	\$4,401	\$6,948
CN-G1S2-4250-?	42	150	21	42	\$4,482	\$7,076
CN-G1S2-4256-?	42	156	21	42	\$4,563	\$7,203
CN-G1S2-4262-?	42	162	21	42	\$4,644	\$7,332
CN-G1S2-4268-?	42	168	21	42	\$4,724	\$7,460
CN-G1S2-4274-?	42	174	21	42	\$4,984	\$7,873
CN-G1S2-4280-?	42	180	21	42	\$5,245	\$8,285
CN-G1S2-4286-?	42	186	21	42	\$5,326	\$8,411
CN-G1S2-4292-?	42	192	21	42	\$5,407	\$8,538

- 1-1/8" thick panels are TFL or HPL with Deskmakers standard 2MM PVC edge banding, HPL self edge not available.
- Top over end panel construction with 12" high dual support Stretchers.
- Adjustable levelers.
- Ships unassembled.

**Albright**

Desk Height Parsons Table



Model Number	Width	Length	Height	TFL (T)	HPL (H)
<b>24" Wide</b>					
CN-GR2D-2460-?	24	60	29	\$2,546	\$5,025
CN-GR2D-2466-?	24	66	29	\$2,629	\$5,189
CN-GR2D-2472-?	24	72	29	\$2,708	\$5,345
CN-GR2D-2478-?	24	78	29	\$2,789	\$5,505
CN-GR2D-2484-?	24	84	29	\$2,875	\$5,674
CN-GR2D-2490-?	24	90	29	\$3,102	\$6,122
CN-GR2D-2496-?	24	96	29	\$3,184	\$6,282
CN-GR2D-2402-?	24	102	29	N/A	\$7,056
CN-GR2D-2408-?	24	108	29	N/A	\$7,245
CN-GR2D-2414-?	24	114	29	N/A	\$7,424
CN-GR2D-2420-?	24	120	29	N/A	\$7,598
<b>30" Wide</b>					
CN-GR2D-3060-?	30	60	29	\$2,897	\$5,720
CN-GR2D-3066-?	30	66	29	\$3,000	\$5,921
CN-GR2D-3072-?	30	72	29	\$3,102	\$6,122
CN-GR2D-3078-?	30	78	29	\$3,205	\$6,327
CN-GR2D-3084-?	30	84	29	\$3,311	\$6,533
CN-GR2D-3090-?	30	90	29	\$3,557	\$7,022
CN-GR2D-3096-?	30	96	29	\$3,659	\$7,223
CN-GR2D-3002-?	30	102	29	N/A	\$8,133
CN-GR2D-3008-?	30	108	29	N/A	\$8,361
CN-GR2D-3014-?	30	114	29	N/A	\$8,582
CN-GR2D-3020-?	30	120	29	N/A	\$8,800

- 1-7/8" thick panels are TFL or HPL with Deskmakers standard 2MM PVC edge banding, HPL self edge not available.
- Top over end panel construction with 12" high dual support Stretchers.
- Adjustable levelers.
- Ships unassembled.
- Tables over 96" available in Southern California and/or will call only.

**U-Shaped Wire Management Channel**



Model Number	Depth	Width	Height	Price
CN-UCHN-GR2D	3	8	15 1/4	\$335

- 3/4" thermofuse laminate material only. Ships with mounting hardware for securing to table base.

**Albright**

Desk Height Parsons Table



Model Number	Width	Length	Height	TFL (T)	HPL (H)
<b>36" Wide</b>					
CN-GR2D-3660-?	36	60	29	\$3,250	\$6,416
CN-GR2D-3666-?	36	66	29	\$3,376	\$6,665
CN-GR2D-3672-?	36	72	29	\$3,499	\$6,903
CN-GR2D-3678-?	36	78	29	\$3,622	\$7,151
CN-GR2D-3684-?	36	84	29	\$3,746	\$7,394
CN-GR2D-3690-?	36	90	29	\$4,015	\$7,924
CN-GR2D-3696-?	36	96	29	\$4,137	\$8,166
CN-GR2D-3602-?	36	102	29	N/A	\$9,215
CN-GR2D-3608-?	36	108	29	N/A	\$9,476
CN-GR2D-3614-?	36	114	29	N/A	\$9,747
CN-GR2D-3620-?	36	120	29	N/A	\$10,017
<b>42" Wide</b>					
CN-GR2D-4260-?	42	60	29	\$3,607	\$7,117
CN-GR2D-4266-?	42	66	29	\$3,749	\$7,398
CN-GR2D-4272-?	42	72	29	\$3,892	\$7,682
CN-GR2D-4278-?	42	78	29	\$4,037	\$7,969
CN-GR2D-4284-?	42	84	29	\$4,181	\$8,253
CN-GR2D-4290-?	42	90	29	\$4,469	\$8,823
CN-GR2D-4296-?	42	96	29	\$4,614	\$9,107
CN-GR2D-4202-?	42	102	29	N/A	\$10,288
CN-GR2D-4208-?	42	108	29	N/A	\$10,600
CN-GR2D-4214-?	42	114	29	N/A	\$10,904
CN-GR2D-4220-?	42	120	29	N/A	\$11,217

- 1-7/8" thick panels are TFL or HPL with Deskmakers standard 2MM PVC edge banding, HPL self edge not available.
- Top over end panel construction with 12" high dual support Stretchers.
- Adjustable levelers.
- Ships unassembled.
- Tables over 96" available in Southern California and/or will call only.

**U-Shaped Wire Management Channel**



Model Number	Depth	Width	Height	Price
CN-UCHN-GR2D	3	8	15 1/4	\$335

- 3/4" thermofuse laminate material only. Ships with mounting hardware for securing to table base.

**Albright**

2-Piece Desk Height Parsons Table



Model Number	Width	Length	Center Leg	Height	TFL (T)	HPL (H)
<b>24" Wide</b>						
CN-G2D2-2402-?	24	102	16	29	\$4,792	\$9,458
CN-G2D2-2408-?	24	108	16	29	\$4,889	\$9,651
CN-G2D2-2414-?	24	114	16	29	\$4,989	\$9,848
CN-G2D2-2420-?	24	120	16	29	\$5,091	\$10,049
CN-G2D2-2426-?	24	126	16	29	\$5,175	\$10,213
CN-G2D2-2432-?	24	132	16	29	\$5,258	\$10,377
CN-G2D2-2438-?	24	138	16	29	\$5,337	\$10,534
CN-G2D2-2444-?	24	144	16	29	\$5,417	\$10,691
CN-G2D2-2450-?	24	150	16	29	\$5,497	\$10,850
CN-G2D2-2456-?	24	156	16	29	\$5,577	\$11,010
CN-G2D2-2462-?	24	162	16	29	\$5,664	\$11,179
CN-G2D2-2468-?	24	168	16	29	\$5,751	\$11,349
CN-G2D2-2474-?	24	174	16	29	\$5,978	\$11,797
CN-G2D2-2480-?	24	180	16	29	\$6,205	\$12,246
CN-G2D2-2486-?	24	186	16	29	\$6,287	\$12,405
CN-G2D2-2492-?	24	192	16	29	\$6,368	\$12,564
<b>30" Wide</b>						
CN-G2D2-3002-?	30	102	18	29	\$5,454	\$10,768
CN-G2D2-3008-?	30	108	18	29	\$5,566	\$10,988
CN-G2D2-3014-?	30	114	18	29	\$5,679	\$11,211
CN-G2D2-3020-?	30	120	18	29	\$5,795	\$11,441
CN-G2D2-3026-?	30	126	18	29	\$5,897	\$11,641
CN-G2D2-3032-?	30	132	18	29	\$5,999	\$11,842
CN-G2D2-3038-?	30	138	18	29	\$6,102	\$12,044
CN-G2D2-3044-?	30	144	18	29	\$6,205	\$12,246
CN-G2D2-3050-?	30	150	18	29	\$6,307	\$12,450
CN-G2D2-3056-?	30	156	18	29	\$6,409	\$12,654
CN-G2D2-3062-?	30	162	18	29	\$6,515	\$12,860
CN-G2D2-3068-?	30	168	18	29	\$6,620	\$13,067
CN-G2D2-3074-?	30	174	18	29	\$6,867	\$13,556
CN-G2D2-3080-?	30	180	18	29	\$7,114	\$14,046
CN-G2D2-3086-?	30	186	18	29	\$7,217	\$14,247
CN-G2D2-3092-?	30	192	18	29	\$7,320	\$14,447

- 1-7/8" thick panels are TFL or HPL with Deskmakers standard 2MM PVC edge banding, HPL self edge not available.
- Top over end panel construction with 12" high dual support Stretchers.
- Adjustable levelers.
- Ships unassembled.

**Albright**

2-Piece Desk Height Parsons Table



Model Number	Width	Length	Center Leg	Height	TFL (T)	HPL (H)
<b>36" Wide</b>						
CN-G2D2-3602-?	36	102	18	29	\$6,117	\$12,078
CN-G2D2-3608-?	36	108	18	29	\$6,242	\$12,325
CN-G2D2-3614-?	36	114	18	29	\$6,369	\$12,576
CN-G2D2-3620-?	36	120	18	29	\$6,499	\$12,833
CN-G2D2-3626-?	36	126	18	29	\$6,625	\$13,082
CN-G2D2-3632-?	36	132	18	29	\$6,751	\$13,330
CN-G2D2-3638-?	36	138	18	29	\$6,874	\$13,569
CN-G2D2-3644-?	36	144	18	29	\$6,997	\$13,807
CN-G2D2-3650-?	36	150	18	29	\$7,120	\$14,054
CN-G2D2-3656-?	36	156	18	29	\$7,244	\$14,300
CN-G2D2-3662-?	36	162	18	29	\$7,368	\$14,545
CN-G2D2-3668-?	36	168	18	29	\$7,492	\$14,789
CN-G2D2-3674-?	36	174	18	29	\$7,761	\$15,319
CN-G2D2-3680-?	36	180	18	29	\$8,031	\$15,848
CN-G2D2-3686-?	36	186	18	29	\$8,152	\$16,090
CN-G2D2-3692-?	36	192	18	29	\$8,274	\$16,332
<b>42" Wide</b>						
CN-G2D2-4202-?	42	102	21	29	\$6,791	\$13,397
CN-G2D2-4208-?	42	108	21	29	\$6,929	\$13,670
CN-G2D2-4214-?	42	114	21	29	\$7,070	\$13,950
CN-G2D2-4220-?	42	120	21	29	\$7,214	\$14,234
CN-G2D2-4226-?	42	126	21	29	\$7,355	\$14,515
CN-G2D2-4232-?	42	132	21	29	\$7,496	\$14,796
CN-G2D2-4238-?	42	138	21	29	\$7,640	\$15,080
CN-G2D2-4244-?	42	144	21	29	\$7,783	\$15,364
CN-G2D2-4250-?	42	150	21	29	\$7,928	\$15,651
CN-G2D2-4256-?	42	156	21	29	\$8,072	\$15,938
CN-G2D2-4262-?	42	162	21	29	\$8,218	\$16,222
CN-G2D2-4268-?	42	168	21	29	\$8,363	\$16,506
CN-G2D2-4274-?	42	174	21	29	\$8,651	\$17,076
CN-G2D2-4280-?	42	180	21	29	\$8,939	\$17,646
CN-G2D2-4286-?	42	186	21	29	\$9,083	\$17,931
CN-G2D2-4292-?	42	192	21	29	\$9,228	\$18,215

- 1-7/8" thick panels are TFL or HPL with Deskmakers standard 2MM PVC edge banding, HPL self edge not available.
- Top over end panel construction with 12" high dual support Stretchers.
- Adjustable levelers.
- Ships unassembled.

**Albright**

Counter Height Parsons Table



Model Number	Width	Length	Height	TFL (T)	HPL (H)
<b>24" Wide</b>					
CN-GR2C-2460-?	24	60	36	\$2,588	\$5,175
CN-GR2C-2466-?	24	66	36	\$2,668	\$5,334
CN-GR2C-2472-?	24	72	36	\$2,748	\$5,494
CN-GR2C-2478-?	24	78	36	\$2,829	\$5,654
CN-GR2C-2484-?	24	84	36	\$2,917	\$5,825
CN-GR2C-2490-?	24	90	36	\$3,145	\$6,278
CN-GR2C-2496-?	24	96	36	\$3,224	\$6,431
CN-GR2C-2402-?	24	102	36	N/A	\$7,234
CN-GR2C-2408-?	24	108	36	N/A	\$7,415
CN-GR2C-2414-?	24	114	36	N/A	\$7,597
CN-GR2C-2420-?	24	120	36	N/A	\$7,770
<b>30" Wide</b>					
CN-GR2C-3060-?	30	60	36	\$2,968	\$5,928
CN-GR2C-3066-?	30	66	36	\$3,070	\$6,127
CN-GR2C-3072-?	30	72	36	\$3,172	\$6,330
CN-GR2C-3078-?	30	78	36	\$3,274	\$6,533
CN-GR2C-3084-?	30	84	36	\$3,379	\$6,741
CN-GR2C-3090-?	30	90	36	\$3,628	\$7,230
CN-GR2C-3096-?	30	96	36	\$3,729	\$7,429
CN-GR2C-3002-?	30	102	36	N/A	\$8,372
CN-GR2C-3008-?	30	108	36	N/A	\$8,598
CN-GR2C-3014-?	30	114	36	N/A	\$8,820
CN-GR2C-3020-?	30	120	36	N/A	\$9,040

- 1-7/8" thick panels are TFL or HPL with Deskmakers standard 2MM PVC edge banding, HPL self edge not available.
- Top over end panel construction with 12" high dual support Stretchers.
- Adjustable levelers.
- Ships unassembled.
- Tables over 96" available in Southern California and/or will call only.

**U-Shaped Wire Management Channel**



Model Number	Depth	Width	Height	Price
CN-UCHN-GR2C	3	8	21 5/8	\$356

- 3/4" thermofuse laminate material only. Ships with mounting hardware for securing to table base.

**Albright**

Counter Height Parsons Table



Model Number	Width	Length	Height	TFL (T)	HPL (H)
<b>36" Wide</b>					
CN-GR2C-3660-?	36	60	36	\$3,351	\$6,682
CN-GR2C-3666-?	36	66	36	\$3,475	\$6,928
CN-GR2C-3672-?	36	72	36	\$3,595	\$7,168
CN-GR2C-3678-?	36	78	36	\$3,722	\$7,415
CN-GR2C-3684-?	36	84	36	\$3,843	\$7,653
CN-GR2C-3690-?	36	90	36	\$4,115	\$8,190
CN-GR2C-3696-?	36	96	36	\$4,238	\$8,431
CN-GR2C-3602-?	36	102	36	N/A	\$9,515
CN-GR2C-3608-?	36	108	36	N/A	\$9,780
CN-GR2C-3614-?	36	114	36	N/A	\$10,049
CN-GR2C-3620-?	36	120	36	N/A	\$10,310
<b>42" Wide</b>					
CN-GR2C-4260-?	42	60	36	\$3,735	\$7,442
CN-GR2C-4266-?	42	66	36	\$3,877	\$7,721
CN-GR2C-4272-?	42	72	36	\$4,021	\$8,005
CN-GR2C-4278-?	42	78	36	\$4,167	\$8,292
CN-GR2C-4284-?	42	84	36	\$4,312	\$8,576
CN-GR2C-4290-?	42	90	36	\$4,598	\$9,144
CN-GR2C-4296-?	42	96	36	\$4,743	\$9,430
CN-GR2C-4202-?	42	102	36	N/A	\$10,653
CN-GR2C-4208-?	42	108	36	N/A	\$10,967
CN-GR2C-4214-?	42	114	36	N/A	\$11,273
CN-GR2C-4220-?	42	120	36	N/A	\$11,586

- 1-7/8" thick panels are TFL or HPL with Deskmakers standard 2MM PVC edge banding, HPL self edge not available.
- Top over end panel construction with 12" high dual support Stretchers.
- Adjustable levelers.
- Ships unassembled.
- Tables over 96" available in Southern California and/or will call only.

**U-Shaped Wire Management Channel**

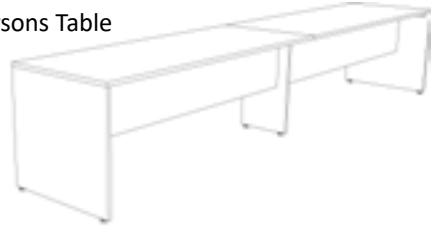


Model Number	Depth	Width	Height	Price
CN-UCHN-GR2C	3	8	21 5/8	\$356

- 3/4" thermofuse laminate material only. Ships with mounting hardware for securing to table base.

**Albright**

2-Piece Counter Height Parsons Table



Model Number	Width	Length	Center Leg	Height	TFL (T)	HPL (H)
<b>24" Wide</b>						
CN-G2C2-2402-?	24	102	16	36	\$4,872	\$9,743
CN-G2C2-2408-?	24	108	16	36	\$4,971	\$9,941
CN-G2C2-2414-?	24	114	16	36	\$5,073	\$10,144
CN-G2C2-2420-?	24	120	16	36	\$5,176	\$10,352
CN-G2C2-2426-?	24	126	16	36	\$5,256	\$10,507
CN-G2C2-2432-?	24	132	16	36	\$5,336	\$10,668
CN-G2C2-2438-?	24	138	16	36	\$5,415	\$10,827
CN-G2C2-2444-?	24	144	16	36	\$5,495	\$10,987
CN-G2C2-2450-?	24	150	16	36	\$5,576	\$11,147
CN-G2C2-2456-?	24	156	16	36	\$5,657	\$11,308
CN-G2C2-2462-?	24	162	16	36	\$5,746	\$11,479
CN-G2C2-2468-?	24	168	16	36	\$5,834	\$11,649
CN-G2C2-2474-?	24	174	16	36	\$6,062	\$12,104
CN-G2C2-2480-?	24	180	16	36	\$6,290	\$12,558
CN-G2C2-2486-?	24	186	16	36	\$6,368	\$12,710
CN-G2C2-2492-?	24	192	16	36	\$6,446	\$12,863
<b>30" Wide</b>						
CN-G2C2-3002-?	30	102	18	36	\$5,587	\$11,159
CN-G2C2-3008-?	30	108	18	36	\$5,702	\$11,387
CN-G2C2-3014-?	30	114	18	36	\$5,818	\$11,618
CN-G2C2-3020-?	30	120	18	36	\$5,937	\$11,856
CN-G2C2-3026-?	30	126	18	36	\$6,038	\$12,055
CN-G2C2-3032-?	30	132	18	36	\$6,139	\$12,255
CN-G2C2-3038-?	30	138	18	36	\$6,242	\$12,458
CN-G2C2-3044-?	30	144	18	36	\$6,345	\$12,661
CN-G2C2-3050-?	30	150	18	36	\$6,446	\$12,863
CN-G2C2-3056-?	30	156	18	36	\$6,547	\$13,064
CN-G2C2-3062-?	30	162	18	36	\$6,653	\$13,273
CN-G2C2-3068-?	30	168	18	36	\$6,758	\$13,482
CN-G2C2-3074-?	30	174	18	36	\$7,007	\$13,971
CN-G2C2-3080-?	30	180	18	36	\$7,256	\$14,461
CN-G2C2-3086-?	30	186	18	36	\$7,357	\$14,659
CN-G2C2-3092-?	30	192	18	36	\$7,457	\$14,858

- 1-7/8" thick panels are TFL or HPL with Deskmakers standard 2MM PVC edge banding, HPL self edge not available.
- Top over end panel construction with 12" high dual support Stretchers.
- Adjustable levelers.
- Ships unassembled.

**Albright**

2-Piece Counter Height Parsons Table



Model Number	Width	Length	Center Leg	Height	TFL (T)	HPL (H)
<b>36" Wide</b>						
CN-G2C2-3602-?	36	102	18	36	\$6,306	\$12,579
CN-G2C2-3608-?	36	108	18	36	\$6,436	\$12,835
CN-G2C2-3614-?	36	114	18	36	\$6,567	\$13,098
CN-G2C2-3620-?	36	120	18	36	\$6,701	\$13,365
CN-G2C2-3626-?	36	126	18	36	\$6,826	\$13,610
CN-G2C2-3632-?	36	132	18	36	\$6,951	\$13,856
CN-G2C2-3638-?	36	138	18	36	\$7,071	\$14,095
CN-G2C2-3644-?	36	144	18	36	\$7,191	\$14,335
CN-G2C2-3650-?	36	150	18	36	\$7,319	\$14,582
CN-G2C2-3656-?	36	156	18	36	\$7,446	\$14,830
CN-G2C2-3662-?	36	162	18	36	\$7,565	\$15,069
CN-G2C2-3668-?	36	168	18	36	\$7,685	\$15,307
CN-G2C2-3674-?	36	174	18	36	\$7,956	\$15,844
CN-G2C2-3680-?	36	180	18	36	\$8,228	\$16,380
CN-G2C2-3686-?	36	186	18	36	\$8,352	\$16,621
CN-G2C2-3692-?	36	192	18	36	\$8,476	\$16,862
<b>42" Wide</b>						
CN-G2C2-4202-?	42	102	21	36	\$7,030	\$14,008
CN-G2C2-4208-?	42	108	21	36	\$7,173	\$14,294
CN-G2C2-4214-?	42	114	21	36	\$7,320	\$14,585
CN-G2C2-4220-?	42	120	21	36	\$7,469	\$14,883
CN-G2C2-4226-?	42	126	21	36	\$7,611	\$15,163
CN-G2C2-4232-?	42	132	21	36	\$7,753	\$15,442
CN-G2C2-4238-?	42	138	21	36	\$7,898	\$15,727
CN-G2C2-4244-?	42	144	21	36	\$8,042	\$16,011
CN-G2C2-4250-?	42	150	21	36	\$8,188	\$16,298
CN-G2C2-4256-?	42	156	21	36	\$8,333	\$16,584
CN-G2C2-4262-?	42	162	21	36	\$8,479	\$16,869
CN-G2C2-4268-?	42	168	21	36	\$8,625	\$17,153
CN-G2C2-4274-?	42	174	21	36	\$8,911	\$17,721
CN-G2C2-4280-?	42	180	21	36	\$9,198	\$18,288
CN-G2C2-4286-?	42	186	21	36	\$9,342	\$18,575
CN-G2C2-4292-?	42	192	21	36	\$9,487	\$18,862

- 1-7/8" thick panels are TFL or HPL with Deskmakers standard 2MM PVC edge banding, HPL self edge not available.
- Top over end panel construction with 12" high dual support Stretchers.
- Adjustable levelers.
- Ships unassembled.

**Albright**

Bar Height Parsons Table



Model Number	Width	Length	Height	TFL (T)	HPL (H)
<b>24" Wide</b>					
CN-GR2S-2460-?	24	60	42	\$2,693	\$5,313
CN-GR2S-2466-?	24	66	42	\$2,773	\$5,471
CN-GR2S-2472-?	24	72	42	\$2,852	\$5,631
CN-GR2S-2478-?	24	78	42	\$2,933	\$5,792
CN-GR2S-2484-?	24	84	42	\$3,021	\$5,962
CN-GR2S-2490-?	24	90	42	\$3,250	\$6,416
CN-GR2S-2496-?	24	96	42	\$3,328	\$6,569
CN-GR2S-2402-?	24	102	42	N/A	\$7,372
CN-GR2S-2408-?	24	108	42	N/A	\$7,553
CN-GR2S-2414-?	24	114	42	N/A	\$7,734
CN-GR2S-2420-?	24	120	42	N/A	\$7,907
<b>30" Wide</b>					
CN-GR2S-3060-?	30	60	42	\$3,073	\$6,065
CN-GR2S-3066-?	30	66	42	\$3,174	\$6,265
CN-GR2S-3072-?	30	72	42	\$3,277	\$6,467
CN-GR2S-3078-?	30	78	42	\$3,378	\$6,670
CN-GR2S-3084-?	30	84	42	\$3,484	\$6,878
CN-GR2S-3090-?	30	90	42	\$3,732	\$7,368
CN-GR2S-3096-?	30	96	42	\$3,834	\$7,567
CN-GR2S-3002-?	30	102	42	N/A	\$8,509
CN-GR2S-3008-?	30	108	42	N/A	\$8,735
CN-GR2S-3014-?	30	114	42	N/A	\$8,958
CN-GR2S-3020-?	30	120	42	N/A	\$9,178

- 1-7/8" thick panels are TFL or HPL with Deskmakers standard 2MM PVC edge banding, HPL self edge not available.
- Top over end panel construction with 12" high dual support Stretchers.
- Adjustable levelers.
- Ships unassembled.
- Tables over 96" available in Southern California and/or will call only.

**U-Shaped Wire Management Channel**



Model Number	Depth	Width	Height	Price
CN-UCHN-GR2S	3	8	28 1/4	\$377

- 3/4" thermofuse laminate material only. Ships with mounting hardware for securing to table base.

**Albright**

Bar Height Parsons Table



Model Number	Width	Length	Height	TFL (T)	HPL (H)
<b>36" Wide</b>					
CN-GR2S-3660-?	36	60	42	\$3,455	\$6,820
CN-GR2S-3666-?	36	66	42	\$3,580	\$7,065
CN-GR2S-3672-?	36	72	42	\$3,700	\$7,305
CN-GR2S-3678-?	36	78	42	\$3,827	\$7,553
CN-GR2S-3684-?	36	84	42	\$3,947	\$7,791
CN-GR2S-3690-?	36	90	42	\$4,219	\$8,328
CN-GR2S-3696-?	36	96	42	\$4,342	\$8,568
CN-GR2S-3602-?	36	102	42	N/A	\$9,653
CN-GR2S-3608-?	36	108	42	N/A	\$9,918
CN-GR2S-3614-?	36	114	42	N/A	\$10,187
CN-GR2S-3620-?	36	120	42	N/A	\$10,448
<b>42" Wide</b>					
CN-GR2S-4260-?	42	60	42	\$3,839	\$7,579
CN-GR2S-4266-?	42	66	42	\$3,981	\$7,858
CN-GR2S-4272-?	42	72	42	\$4,126	\$8,143
CN-GR2S-4278-?	42	78	42	\$4,272	\$8,429
CN-GR2S-4284-?	42	84	42	\$4,416	\$8,714
CN-GR2S-4290-?	42	90	42	\$4,703	\$9,281
CN-GR2S-4296-?	42	96	42	\$4,848	\$9,568
CN-GR2S-4202-?	42	102	42	N/A	\$10,791
CN-GR2S-4208-?	42	108	42	N/A	\$11,104
CN-GR2S-4214-?	42	114	42	N/A	\$11,410
CN-GR2S-4220-?	42	120	42	N/A	\$11,724

- 1-7/8" thick panels are TFL or HPL with Deskmakers standard 2MM PVC edge banding, HPL self edge not available.
- Top over end panel construction with 12" high dual support Stretchers.
- Adjustable levelers.
- Ships unassembled.
- Tables over 96" available in Southern California and/or will call only.

**U-Shaped Wire Management Channel**



Model Number	Depth	Width	Height	Price
CN-UCHN-GR2S	3	8	28 1/4	\$377

- 3/4" thermofuse laminate material only. Ships with mounting hardware for securing to table base.

**Albright**

2-Piece Bar Height Parsons Table



Model Number	Width	Length	Center Leg	Height	TFL (T)	HPL (H)
<b>24" Wide</b>						
CN-G2S2-2402-?	24	102	16	42	\$5,070	\$10,002
CN-G2S2-2408-?	24	108	16	42	\$5,173	\$10,206
CN-G2S2-2414-?	24	114	16	42	\$5,279	\$10,415
CN-G2S2-2420-?	24	120	16	42	\$5,387	\$10,627
CN-G2S2-2426-?	24	126	16	42	\$5,466	\$10,785
CN-G2S2-2432-?	24	132	16	42	\$5,545	\$10,943
CN-G2S2-2438-?	24	138	16	42	\$5,625	\$11,103
CN-G2S2-2444-?	24	144	16	42	\$5,705	\$11,262
CN-G2S2-2450-?	24	150	16	42	\$5,786	\$11,422
CN-G2S2-2456-?	24	156	16	42	\$5,866	\$11,583
CN-G2S2-2462-?	24	162	16	42	\$5,954	\$11,754
CN-G2S2-2468-?	24	168	16	42	\$6,043	\$11,925
CN-G2S2-2474-?	24	174	16	42	\$6,271	\$12,379
CN-G2S2-2480-?	24	180	16	42	\$6,499	\$12,833
CN-G2S2-2486-?	24	186	16	42	\$6,578	\$12,985
CN-G2S2-2492-?	24	192	16	42	\$6,657	\$13,138
<b>30" Wide</b>						
CN-G2S2-3002-?	30	102	18	42	\$5,788	\$11,418
CN-G2S2-3008-?	30	108	18	42	\$5,903	\$11,651
CN-G2S2-3014-?	30	114	18	42	\$6,023	\$11,888
CN-G2S2-3020-?	30	120	18	42	\$6,146	\$12,131
CN-G2S2-3026-?	30	126	18	42	\$6,247	\$12,331
CN-G2S2-3032-?	30	132	18	42	\$6,348	\$12,530
CN-G2S2-3038-?	30	138	18	42	\$6,451	\$12,733
CN-G2S2-3044-?	30	144	18	42	\$6,554	\$12,936
CN-G2S2-3050-?	30	150	18	42	\$6,655	\$13,138
CN-G2S2-3056-?	30	156	18	42	\$6,756	\$13,340
CN-G2S2-3062-?	30	162	18	42	\$6,861	\$13,548
CN-G2S2-3068-?	30	168	18	42	\$6,967	\$13,757
CN-G2S2-3074-?	30	174	18	42	\$7,216	\$14,247
CN-G2S2-3080-?	30	180	18	42	\$7,464	\$14,736
CN-G2S2-3086-?	30	186	18	42	\$7,566	\$14,934
CN-G2S2-3092-?	30	192	18	42	\$7,668	\$15,133

- 1-7/8" thick panels are TFL or HPL with Deskmakers standard 2MM PVC edge banding, HPL self edge not available.
- Top over end panel construction with 12" high dual support Stretchers.
- Adjustable levelers.
- Ships unassembled.

**Albright**

2-Piece Bar Height Parsons Table



Model Number	Width	Length	Center Leg	Height	TFL (T)	HPL (H)
<b>36" Wide</b>						
CN-G2S2-3602-?	36	102	18	42	\$6,506	\$12,837
CN-G2S2-3608-?	36	108	18	42	\$6,638	\$13,100
CN-G2S2-3614-?	36	114	18	42	\$6,773	\$13,367
CN-G2S2-3620-?	36	120	18	42	\$6,912	\$13,640
CN-G2S2-3626-?	36	126	18	42	\$7,036	\$13,885
CN-G2S2-3632-?	36	132	18	42	\$7,159	\$14,131
CN-G2S2-3638-?	36	138	18	42	\$7,280	\$14,370
CN-G2S2-3644-?	36	144	18	42	\$7,400	\$14,610
CN-G2S2-3650-?	36	150	18	42	\$7,527	\$14,858
CN-G2S2-3656-?	36	156	18	42	\$7,655	\$15,105
CN-G2S2-3662-?	36	162	18	42	\$7,775	\$15,344
CN-G2S2-3668-?	36	168	18	42	\$7,895	\$15,582
CN-G2S2-3674-?	36	174	18	42	\$8,167	\$16,119
CN-G2S2-3680-?	36	180	18	42	\$8,439	\$16,656
CN-G2S2-3686-?	36	186	18	42	\$8,562	\$16,896
CN-G2S2-3692-?	36	192	18	42	\$8,684	\$17,137
<b>42" Wide</b>						
CN-G2S2-4202-?	42	102	21	42	\$7,226	\$14,267
CN-G2S2-4208-?	42	108	21	42	\$7,374	\$14,557
CN-G2S2-4214-?	42	114	21	42	\$7,524	\$14,855
CN-G2S2-4220-?	42	120	21	42	\$7,678	\$15,158
CN-G2S2-4226-?	42	126	21	42	\$7,820	\$15,438
CN-G2S2-4232-?	42	132	21	42	\$7,962	\$15,718
CN-G2S2-4238-?	42	138	21	42	\$8,106	\$16,002
CN-G2S2-4244-?	42	144	21	42	\$8,251	\$16,286
CN-G2S2-4250-?	42	150	21	42	\$8,398	\$16,573
CN-G2S2-4256-?	42	156	21	42	\$8,544	\$16,860
CN-G2S2-4262-?	42	162	21	42	\$8,689	\$17,144
CN-G2S2-4268-?	42	168	21	42	\$8,833	\$17,428
CN-G2S2-4274-?	42	174	21	42	\$9,120	\$17,996
CN-G2S2-4280-?	42	180	21	42	\$9,407	\$18,563
CN-G2S2-4286-?	42	186	21	42	\$9,551	\$18,850
CN-G2S2-4292-?	42	192	21	42	\$9,696	\$19,137

- 1-7/8" thick panels are TFL or HPL with Deskmakers standard 2MM PVC edge banding, HPL self edge not available.
- Top over end panel construction with 12" high dual support Stretchers.
- Adjustable levelers.
- Ships unassembled.

**Chapala**

Desk Height Parsons Table



Model Number	Width	Length	Height	TFL (T)	HPL (H)
<b>24" Wide</b>					
CN-GR3D-2460-H	24	60	29	N/A	\$7,743
CN-GR3D-2466-H	24	66	29	N/A	\$7,946
CN-GR3D-2472-H	24	72	29	N/A	\$8,072
CN-GR3D-2478-H	24	78	29	N/A	\$8,276
CN-GR3D-2484-H	24	84	29	N/A	\$8,403
CN-GR3D-2490-H	24	90	29	N/A	\$8,604
CN-GR3D-2496-H	24	96	29	N/A	\$8,734
CN-GR3D-2402-H	24	102	29	N/A	\$9,785
CN-GR3D-2408-H	24	108	29	N/A	\$9,922
CN-GR3D-2414-H	24	114	29	N/A	\$10,148
CN-GR3D-2420-H	24	120	29	N/A	\$10,284
<b>30" Wide</b>					
CN-GR3D-3060-H	30	60	29	N/A	\$8,040
CN-GR3D-3066-H	30	66	29	N/A	\$8,253
CN-GR3D-3072-H	30	72	29	N/A	\$8,389
CN-GR3D-3078-H	30	78	29	N/A	\$8,606
CN-GR3D-3084-H	30	84	29	N/A	\$8,742
CN-GR3D-3090-H	30	90	29	N/A	\$8,956
CN-GR3D-3096-H	30	96	29	N/A	\$9,095
CN-GR3D-3002-H	30	102	29	N/A	\$10,195
CN-GR3D-3008-H	30	108	29	N/A	\$10,343
CN-GR3D-3014-H	30	114	29	N/A	\$10,580
CN-GR3D-3020-H	30	120	29	N/A	\$10,730

- 3" thick panels in HPL with HPL self edge; TFL not available.
- Mitered corner construction with concealed metal support frame.
- Adjustable levelers.
- Ships fully assembled.
- Tables over 96" available in Southern California and/or will call only.
- 6" high heavy duty casters can be added to Chapala and Haverford parsons tables. The overall height does not change. To add casters, add OP-CSTR-PRSN-4 for \$1022 for 4 locking casters.

**Removable Access Panel**



Model Number	Width	Height	Price
CN-ACPL-29	10	26	\$460

- Price is for one removable access panel on one end of table.
- Removable panel is 3/4" material.

**Chapala**

Desk Height Parsons Table



Model Number	Width	Length	Height	TFL (T)	HPL (H)
<b>36" Wide</b>					
CN-GR3D-3660-H	36	60	29	N/A	\$8,335
CN-GR3D-3666-H	36	66	29	N/A	\$8,561
CN-GR3D-3672-H	36	72	29	N/A	\$8,709
CN-GR3D-3678-H	36	78	29	N/A	\$8,935
CN-GR3D-3684-H	36	84	29	N/A	\$9,082
CN-GR3D-3690-H	36	90	29	N/A	\$9,308
CN-GR3D-3696-H	36	96	29	N/A	\$9,456
CN-GR3D-3602-H	36	102	29	N/A	\$10,602
CN-GR3D-3608-H	36	108	29	N/A	\$10,765
CN-GR3D-3614-H	36	114	29	N/A	\$11,011
CN-GR3D-3620-H	36	120	29	N/A	\$11,175
<b>42" Wide</b>					
CN-GR3D-4260-H	42	60	29	N/A	\$8,636
CN-GR3D-4266-H	42	66	29	N/A	\$8,869
CN-GR3D-4272-H	42	72	29	N/A	\$9,029
CN-GR3D-4278-H	42	78	29	N/A	\$9,265
CN-GR3D-4284-H	42	84	29	N/A	\$9,424
CN-GR3D-4290-H	42	90	29	N/A	\$9,660
CN-GR3D-4296-H	42	96	29	N/A	\$9,819
CN-GR3D-4202-H	42	102	29	N/A	\$11,011
CN-GR3D-4208-H	42	108	29	N/A	\$11,186
CN-GR3D-4214-H	42	114	29	N/A	\$11,443
CN-GR3D-4220-H	42	120	29	N/A	\$11,619

- 3" thick panels in HPL with HPL self edge; TFL not available.
- Mitered corner construction with concealed metal support frame.
- Adjustable levelers.
- Ships fully assembled.
- Tables over 96" available in Southern California and/or will call only.
- 6" high heavy duty casters can be added to Chapala and Haverford parsons tables. The overall height does not change. To add casters, add OP-CSTR-PRSN-4 for \$1022 for 4 locking casters.

**Removable Access Panel**



Model Number	Width	Height	Price
CN-ACPL-29	10	26	\$460

- Price is for one removable access panel on one end of table.
- Removable panel is 3/4" material.

**Chapala**

2-Piece Desk Height Parsons Table



Model Number	Width	Length	Center Leg	Height	TFL (T)	HPL (H)
<b>24" Wide</b>						
CN-G3D2-2402-?	24	102	16	29	N/A	\$14,576
CN-G3D2-2408-?	24	108	16	29	N/A	\$14,873
CN-G3D2-2414-?	24	114	16	29	N/A	\$15,176
CN-G3D2-2420-?	24	120	16	29	N/A	\$15,486
CN-G3D2-2426-?	24	126	16	29	N/A	\$15,689
CN-G3D2-2432-?	24	132	16	29	N/A	\$15,892
CN-G3D2-2438-?	24	138	16	29	N/A	\$15,674
CN-G3D2-2444-?	24	144	16	29	N/A	\$16,348
CN-G3D2-2450-?	24	150	16	29	N/A	\$16,450
CN-G3D2-2456-?	24	156	16	29	N/A	\$16,552
CN-G3D2-2462-?	24	162	16	29	N/A	\$16,678
CN-G3D2-2468-?	24	168	16	29	N/A	\$16,805
CN-G3D2-2474-?	24	174	16	29	N/A	\$17,006
CN-G3D2-2480-?	24	180	16	29	N/A	\$17,208
CN-G3D2-2486-?	24	186	16	29	N/A	\$17,338
CN-G3D2-2492-?	24	192	16	29	N/A	\$17,467
<b>30" Wide</b>						
CN-G3D2-3002-?	30	102	18	29	N/A	\$15,134
CN-G3D2-3008-?	30	108	18	29	N/A	\$15,444
CN-G3D2-3014-?	30	114	18	29	N/A	\$15,759
CN-G3D2-3020-?	30	120	18	29	N/A	\$16,080
CN-G3D2-3026-?	30	126	18	29	N/A	\$16,293
CN-G3D2-3032-?	30	132	18	29	N/A	\$16,506
CN-G3D2-3038-?	30	138	18	29	N/A	\$16,642
CN-G3D2-3044-?	30	144	18	29	N/A	\$16,777
CN-G3D2-3050-?	30	150	18	29	N/A	\$16,994
CN-G3D2-3056-?	30	156	18	29	N/A	\$17,210
CN-G3D2-3062-?	30	162	18	29	N/A	\$17,348
CN-G3D2-3068-?	30	168	18	29	N/A	\$17,486
CN-G3D2-3074-?	30	174	18	29	N/A	\$17,699
CN-G3D2-3080-?	30	180	18	29	N/A	\$17,912
CN-G3D2-3086-?	30	186	18	29	N/A	\$18,051
CN-G3D2-3092-?	30	192	18	29	N/A	\$18,190

- 3" thick panels in HPL with HPL self edge; TFL not available.
- Mitered corner construction with concealed metal support frame.
- Adjustable levelers.
- Ships partially assembled, in 3 sections.
- 6" high heavy duty casters can be added to Chapala and Haverford parsons tables. The overall height does not change. To add casters, add OP-CSTR-PRSN-6 for \$1150 for 6 locking casters.

**Chapala**

2-Piece Desk Height Parsons Table



Model Number	Width	Length	Center Leg	Height	TFL (T)	HPL (H)
<b>36" Wide</b>						
CN-G3D2-3602-?	36	102	18	29	N/A	\$15,689
CN-G3D2-3608-?	36	108	18	29	N/A	\$16,009
CN-G3D2-3614-?	36	114	18	29	N/A	\$16,336
CN-G3D2-3620-?	36	120	18	29	N/A	\$16,669
CN-G3D2-3626-?	36	126	18	29	N/A	\$16,895
CN-G3D2-3632-?	36	132	18	29	N/A	\$17,121
CN-G3D2-3638-?	36	138	18	29	N/A	\$17,303
CN-G3D2-3644-?	36	144	18	29	N/A	\$17,417
CN-G3D2-3650-?	36	150	18	29	N/A	\$17,643
CN-G3D2-3656-?	36	156	18	29	N/A	\$17,869
CN-G3D2-3662-?	36	162	18	29	N/A	\$18,017
CN-G3D2-3668-?	36	168	18	29	N/A	\$18,164
CN-G3D2-3674-?	36	174	18	29	N/A	\$18,390
CN-G3D2-3680-?	36	180	18	29	N/A	\$18,616
CN-G3D2-3686-?	36	186	18	29	N/A	\$18,764
CN-G3D2-3692-?	36	192	18	29	N/A	\$18,912
<b>42" Wide</b>						
CN-G3D2-4202-?	42	102	21	29	N/A	\$16,256
CN-G3D2-4208-?	42	108	21	29	N/A	\$16,589
CN-G3D2-4214-?	42	114	21	29	N/A	\$16,927
CN-G3D2-4220-?	42	120	21	29	N/A	\$17,272
CN-G3D2-4226-?	42	126	21	29	N/A	\$17,505
CN-G3D2-4232-?	42	132	21	29	N/A	\$17,738
CN-G3D2-4238-?	42	138	21	29	N/A	\$17,897
CN-G3D2-4244-?	42	144	21	29	N/A	\$18,057
CN-G3D2-4250-?	42	150	21	29	N/A	\$18,294
CN-G3D2-4256-?	42	156	21	29	N/A	\$18,531
CN-G3D2-4262-?	42	162	21	29	N/A	\$18,690
CN-G3D2-4268-?	42	168	21	29	N/A	\$18,848
CN-G3D2-4274-?	42	174	21	29	N/A	\$19,084
CN-G3D2-4280-?	42	180	21	29	N/A	\$19,320
CN-G3D2-4286-?	42	186	21	29	N/A	\$19,478
CN-G3D2-4292-?	42	192	21	29	N/A	\$19,637

- 3" thick panels in HPL with HPL self edge; TFL not available.
- Mitered corner construction with concealed metal support frame.
- Adjustable levelers.
- Ships partially assembled, in 3 sections.
- 6" high heavy duty casters can be added to Chapala and Haverford parsons tables. The overall height does not change. To add casters, add OP-CSTR-PRSN-6 for \$1150 for 6 locking casters.

**Chapala**

Counter Height Parsons Table



Model Number	Width	Length	Height	TFL (T)	HPL (H)
<b>24" Wide</b>					
CN-GR3C-2460-H	24	60	36	N/A	\$8,109
CN-GR3C-2466-H	24	66	36	N/A	\$8,313
CN-GR3C-2472-H	24	72	36	N/A	\$8,439
CN-GR3C-2478-H	24	78	36	N/A	\$8,644
CN-GR3C-2484-H	24	84	36	N/A	\$8,769
CN-GR3C-2490-H	24	90	36	N/A	\$8,973
CN-GR3C-2496-H	24	96	36	N/A	\$9,099
CN-GR3C-2402-H	24	102	36	N/A	\$10,199
CN-GR3C-2408-H	24	108	36	N/A	\$10,341
CN-GR3C-2414-H	24	114	36	N/A	\$10,573
CN-GR3C-2420-H	24	120	36	N/A	\$10,700
<b>30" Wide</b>					
CN-GR3C-3060-H	30	60	36	N/A	\$8,452
CN-GR3C-3066-H	30	66	36	N/A	\$8,664
CN-GR3C-3072-H	30	72	36	N/A	\$8,802
CN-GR3C-3078-H	30	78	36	N/A	\$9,016
CN-GR3C-3084-H	30	84	36	N/A	\$9,153
CN-GR3C-3090-H	30	90	36	N/A	\$9,370
CN-GR3C-3096-H	30	96	36	N/A	\$9,503
CN-GR3C-3002-H	30	102	36	N/A	\$10,657
CN-GR3C-3008-H	30	108	36	N/A	\$10,809
CN-GR3C-3014-H	30	114	36	N/A	\$11,049
CN-GR3C-3020-H	30	120	36	N/A	\$11,193

- 3" thick panels in HPL with HPL self edge; TFL not available.
- Mitered corner construction with concealed metal support frame.
- Adjustable levelers.
- Ships fully assembled.
- Tables over 96" available in Southern California and/or will call only.
- 6" high heavy duty casters can be added to Chapala and Haverford parsons tables. The overall height does not change. To add casters, add OP-CSTR-PRSN-4 for \$1022 for 4 locking casters.

**Removable Access Panel**



Model Number	Width	Height	Price
CN-ACPL-36	10	32	\$482

- Price is for one removable access panel on one end of table.
- Removable panel is 3/4" material.

**Chapala**

Counter Height Parsons Table



Model Number	Width	Length	Height	TFL (T)	HPL (H)
<b>36" Wide</b>					
CN-GR3C-3660-H	36	60	36	N/A	\$8,792
CN-GR3C-3666-H	36	66	36	N/A	\$9,016
CN-GR3C-3672-H	36	72	36	N/A	\$9,163
CN-GR3C-3678-H	36	78	36	N/A	\$9,389
CN-GR3C-3684-H	36	84	36	N/A	\$9,537
CN-GR3C-3690-H	36	90	36	N/A	\$9,763
CN-GR3C-3696-H	36	96	36	N/A	\$9,910
CN-GR3C-3602-H	36	102	36	N/A	\$11,115
CN-GR3C-3608-H	36	108	36	N/A	\$11,277
CN-GR3C-3614-H	36	114	36	N/A	\$11,522
CN-GR3C-3620-H	36	120	36	N/A	\$11,684
<b>42" Wide</b>					
CN-GR3C-4260-H	42	60	36	N/A	\$9,131
CN-GR3C-4266-H	42	66	36	N/A	\$9,370
CN-GR3C-4272-H	42	72	36	N/A	\$9,528
CN-GR3C-4278-H	42	78	36	N/A	\$9,763
CN-GR3C-4284-H	42	84	36	N/A	\$9,923
CN-GR3C-4290-H	42	90	36	N/A	\$10,158
CN-GR3C-4296-H	42	96	36	N/A	\$10,316
CN-GR3C-4202-H	42	102	36	N/A	\$11,571
CN-GR3C-4208-H	42	108	36	N/A	\$11,746
CN-GR3C-4214-H	42	114	36	N/A	\$12,003
CN-GR3C-4220-H	42	120	36	N/A	\$12,179

- 3" thick panels in HPL with HPL self edge; TFL not available.
- Mitered corner construction with concealed metal support frame.
- Adjustable levelers.
- Ships fully assembled.
- Tables over 96" available in Southern California and/or will call only.
- 6" high heavy duty casters can be added to Chapala and Haverford parsons tables. The overall height does not change. To add casters, add OP-CSTR-PRSN-4 for \$1022 for 4 locking casters.

**Removable Access Panel**



Model Number	Width	Height	Price
CN-ACPL-36	10	32	\$482

- Price is for one removable access panel on one end of table.
- Removable panel is 3/4" material.

**Chapala**

2-Piece Counter Height Parsons Table

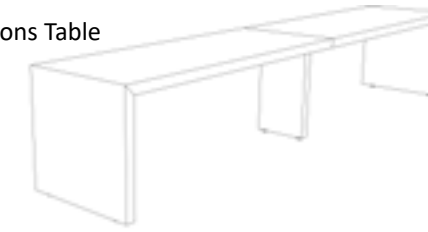


Model Number	Width	Length	Center Leg	Height	TFL (T)	HPL (H)
<b>24" Wide</b>						
CN-G3C2-2402-?	24	102	16	36	N/A	\$15,264
CN-G3C2-2408-?	24	108	16	36	N/A	\$15,575
CN-G3C2-2414-?	24	114	16	36	N/A	\$15,893
CN-G3C2-2420-?	24	120	16	36	N/A	\$16,218
CN-G3C2-2426-?	24	126	16	36	N/A	\$16,422
CN-G3C2-2432-?	24	132	16	36	N/A	\$16,626
CN-G3C2-2438-?	24	138	16	36	N/A	\$16,752
CN-G3C2-2444-?	24	144	16	36	N/A	\$16,878
CN-G3C2-2450-?	24	150	16	36	N/A	\$17,083
CN-G3C2-2456-?	24	156	16	36	N/A	\$17,288
CN-G3C2-2462-?	24	162	16	36	N/A	\$17,412
CN-G3C2-2468-?	24	168	16	36	N/A	\$17,536
CN-G3C2-2474-?	24	174	16	36	N/A	\$17,741
CN-G3C2-2480-?	24	180	16	36	N/A	\$17,947
CN-G3C2-2486-?	24	186	16	36	N/A	\$18,073
CN-G3C2-2492-?	24	192	16	36	N/A	\$18,199
<b>30" Wide</b>						
CN-G3C2-3002-?	30	102	18	36	N/A	\$15,909
CN-G3C2-3008-?	30	108	18	36	N/A	\$16,234
CN-G3C2-3014-?	30	114	18	36	N/A	\$16,565
CN-G3C2-3020-?	30	120	18	36	N/A	\$16,903
CN-G3C2-3026-?	30	126	18	36	N/A	\$17,115
CN-G3C2-3032-?	30	132	18	36	N/A	\$17,327
CN-G3C2-3038-?	30	138	18	36	N/A	\$17,466
CN-G3C2-3044-?	30	144	18	36	N/A	\$17,605
CN-G3C2-3050-?	30	150	18	36	N/A	\$17,818
CN-G3C2-3056-?	30	156	18	36	N/A	\$18,031
CN-G3C2-3062-?	30	162	18	36	N/A	\$18,169
CN-G3C2-3068-?	30	168	18	36	N/A	\$18,307
CN-G3C2-3074-?	30	174	18	36	N/A	\$18,523
CN-G3C2-3080-?	30	180	18	36	N/A	\$18,740
CN-G3C2-3086-?	30	186	18	36	N/A	\$18,873
CN-G3C2-3092-?	30	192	18	36	N/A	\$19,006

- 3" thick panels in HPL with HPL self edge; TFL not available.
- Mitered corner construction with concealed metal support frame.
- Adjustable levelers.
- Ships partially assembled, in 3 sections.
- 6" high heavy duty casters can be added to Chapala and Haverford parsons tables. The overall height does not change. To add casters, add OP-CSTR-PRSN-6 for \$1150 for 6 locking casters.

**Chapala**

2-Piece Counter Height Parsons Table

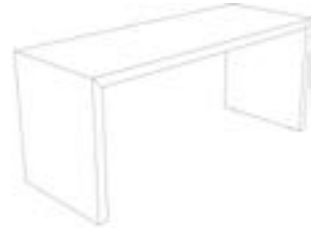


Model Number	Width	Length	Center Leg	Height	TFL (T)	HPL (H)
<b>36" Wide</b>						
CN-G3C2-3602-?	36	102	18	36	N/A	\$16,550
CN-G3C2-3608-?	36	108	18	36	N/A	\$16,888
CN-G3C2-3614-?	36	114	18	36	N/A	\$17,232
CN-G3C2-3620-?	36	120	18	36	N/A	\$17,584
CN-G3C2-3626-?	36	126	18	36	N/A	\$35,616
CN-G3C2-3632-?	36	132	18	36	N/A	\$18,031
CN-G3C2-3638-?	36	138	18	36	N/A	\$18,179
CN-G3C2-3644-?	36	144	18	36	N/A	\$18,327
CN-G3C2-3650-?	36	150	18	36	N/A	\$18,553
CN-G3C2-3656-?	36	156	18	36	N/A	\$18,779
CN-G3C2-3662-?	36	162	18	36	N/A	\$18,927
CN-G3C2-3668-?	36	168	18	36	N/A	\$19,075
CN-G3C2-3674-?	36	174	18	36	N/A	\$19,301
CN-G3C2-3680-?	36	180	18	36	N/A	\$19,527
CN-G3C2-3686-?	36	186	18	36	N/A	\$19,673
CN-G3C2-3692-?	36	192	18	36	N/A	\$19,820
<b>42" Wide</b>						
CN-G3C2-4202-?	42	102	21	36	N/A	\$17,189
CN-G3C2-4208-?	42	108	21	36	N/A	\$17,540
CN-G3C2-4214-?	42	114	21	36	N/A	\$17,897
CN-G3C2-4220-?	42	120	21	36	N/A	\$18,263
CN-G3C2-4226-?	42	126	21	36	N/A	\$18,502
CN-G3C2-4232-?	42	132	21	36	N/A	\$18,740
CN-G3C2-4238-?	42	138	21	36	N/A	\$18,898
CN-G3C2-4244-?	42	144	21	36	N/A	\$19,056
CN-G3C2-4250-?	42	150	21	36	N/A	\$19,292
CN-G3C2-4256-?	42	156	21	36	N/A	\$19,527
CN-G3C2-4262-?	42	162	21	36	N/A	\$19,686
CN-G3C2-4268-?	42	168	21	36	N/A	\$19,845
CN-G3C2-4274-?	42	174	21	36	N/A	\$20,080
CN-G3C2-4280-?	42	180	21	36	N/A	\$20,315
CN-G3C2-4286-?	42	186	21	36	N/A	\$20,474
CN-G3C2-4292-?	42	192	21	36	N/A	\$20,632

- 3" thick panels in HPL with HPL self edge; TFL not available.
- Mitered corner construction with concealed metal support frame.
- Adjustable levelers.
- Ships partially assembled, in 3 sections.
- 6" high heavy duty casters can be added to Chapala and Haverford parsons tables. The overall height does not change. To add casters, add OP-CSTR-PRSN-6 for \$1150 for 6 locking casters.

**Chapala**

Bar Height Parsons Table



Model Number	Width	Length	Height	TFL (T)	HPL (H)
<b>24" Wide</b>					
CN-GR3S-2460-H	24	60	42	N/A	\$8,246
CN-GR3S-2466-H	24	66	42	N/A	\$8,451
CN-GR3S-2472-H	24	72	42	N/A	\$8,577
CN-GR3S-2478-H	24	78	42	N/A	\$8,782
CN-GR3S-2484-H	24	84	42	N/A	\$8,906
CN-GR3S-2490-H	24	90	42	N/A	\$9,111
CN-GR3S-2496-H	24	96	42	N/A	\$9,237
CN-GR3S-2402-H	24	102	42	N/A	\$10,337
CN-GR3S-2408-H	24	108	42	N/A	\$10,479
CN-GR3S-2414-H	24	114	42	N/A	\$10,711
CN-GR3S-2420-H	24	120	42	N/A	\$10,837
<b>30" Wide</b>					
CN-GR3S-3060-H	30	60	42	N/A	\$8,590
CN-GR3S-3066-H	30	66	42	N/A	\$8,801
CN-GR3S-3072-H	30	72	42	N/A	\$8,940
CN-GR3S-3078-H	30	78	42	N/A	\$9,153
CN-GR3S-3084-H	30	84	42	N/A	\$9,290
CN-GR3S-3090-H	30	90	42	N/A	\$9,507
CN-GR3S-3096-H	30	96	42	N/A	\$9,641
CN-GR3S-3002-H	30	102	42	N/A	\$10,795
CN-GR3S-3008-H	30	108	42	N/A	\$10,947
CN-GR3S-3014-H	30	114	42	N/A	\$11,186
CN-GR3S-3020-H	30	120	42	N/A	\$11,330

- 3" thick panels in HPL with HPL self edge; TFL not available.
- Mitered corner construction with concealed metal support frame.
- Adjustable levelers.
- Ships fully assembled.
- Tables over 96" available in Southern California and/or will call only.
- 6" high heavy duty casters can be added to Chapala and Haverford parsons tables. The overall height does not change. To add casters, add OP-CSTR-PRSN-4 for \$1022 for 4 locking casters.

**Removable Access Panel**

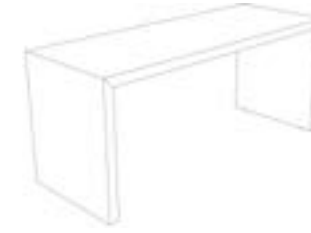


Model Number	Width	Height	Price
CN-ACPL-42	10	38	\$502

- Price is for one removable access panel on one end of table.
- Removable panel is 3/4" material.

**Chapala**

Bar Height Parsons Table



Model Number	Width	Length	Height	TFL (T)	HPL (H)
<b>36" Wide</b>					
CN-GR3S-3660-H	36	60	42	N/A	\$8,929
CN-GR3S-3666-H	36	66	42	N/A	\$9,153
CN-GR3S-3672-H	36	72	42	N/A	\$9,301
CN-GR3S-3678-H	36	78	42	N/A	\$9,527
CN-GR3S-3684-H	36	84	42	N/A	\$9,675
CN-GR3S-3690-H	36	90	42	N/A	\$9,900
CN-GR3S-3696-H	36	96	42	N/A	\$10,048
CN-GR3S-3602-H	36	102	42	N/A	\$11,252
CN-GR3S-3608-H	36	108	42	N/A	\$11,414
CN-GR3S-3614-H	36	114	42	N/A	\$11,660
CN-GR3S-3620-H	36	120	42	N/A	\$11,821
<b>42" Wide</b>					
CN-GR3S-4260-H	42	60	42	N/A	\$9,269
CN-GR3S-4266-H	42	66	42	N/A	\$9,507
CN-GR3S-4272-H	42	72	42	N/A	\$9,666
CN-GR3S-4278-H	42	78	42	N/A	\$9,900
CN-GR3S-4284-H	42	84	42	N/A	\$10,061
CN-GR3S-4290-H	42	90	42	N/A	\$10,295
CN-GR3S-4296-H	42	96	42	N/A	\$10,454
CN-GR3S-4202-H	42	102	42	N/A	\$11,708
CN-GR3S-4208-H	42	108	42	N/A	\$11,884
CN-GR3S-4214-H	42	114	42	N/A	\$12,141
CN-GR3S-4220-H	42	120	42	N/A	\$12,316

- 3" thick panels in HPL with HPL self edge; TFL not available.
- Mitered corner construction with concealed metal support frame.
- Adjustable levelers.
- Ships fully assembled.
- Tables over 96" available in Southern California and/or will call only.
- 6" high heavy duty casters can be added to Chapala and Haverford parsons tables. The overall height does not change. To add casters, add OP-CSTR-PRSN-4 for \$1022 for 4 locking casters.

**Removable Access Panel**



Model Number	Width	Height	Price
CN-ACPL-42	10	38	\$502

- Price is for one removable access panel on one end of table.
- Removable panel is 3/4" material.

Chapala

2-Piece Bar Height Parsons Table



Model Number	Width	Length	Center Leg	Height	TFL (T)	HPL (H)
<b>24" Wide</b>						
CN-G3S2-2402-?	24	102	16	42	N/A	\$15,523
CN-G3S2-2408-?	24	108	16	42	N/A	\$15,839
CN-G3S2-2414-?	24	114	16	42	N/A	\$16,162
CN-G3S2-2420-?	24	120	16	42	N/A	\$16,493
CN-G3S2-2426-?	24	126	16	42	N/A	\$16,697
CN-G3S2-2432-?	24	132	16	42	N/A	\$16,901
CN-G3S2-2438-?	24	138	16	42	N/A	\$17,027
CN-G3S2-2444-?	24	144	16	42	N/A	\$17,153
CN-G3S2-2450-?	24	150	16	42	N/A	\$17,358
CN-G3S2-2456-?	24	156	16	42	N/A	\$17,564
CN-G3S2-2462-?	24	162	16	42	N/A	\$17,687
CN-G3S2-2468-?	24	168	16	42	N/A	\$17,811
CN-G3S2-2474-?	24	174	16	42	N/A	\$18,017
CN-G3S2-2480-?	24	180	16	42	N/A	\$18,222
CN-G3S2-2486-?	24	186	16	42	N/A	\$18,348
CN-G3S2-2492-?	24	192	16	42	N/A	\$18,474
<b>30" Wide</b>						
CN-G3S2-3002-?	30	102	18	42	N/A	\$16,168
CN-G3S2-3008-?	30	108	18	42	N/A	\$16,497
CN-G3S2-3014-?	30	114	18	42	N/A	\$16,834
CN-G3S2-3020-?	30	120	18	42	N/A	\$17,178
CN-G3S2-3026-?	30	126	18	42	N/A	\$17,390
CN-G3S2-3032-?	30	132	18	42	N/A	\$17,603
CN-G3S2-3038-?	30	138	18	42	N/A	\$17,741
CN-G3S2-3044-?	30	144	18	42	N/A	\$17,880
CN-G3S2-3050-?	30	150	18	42	N/A	\$18,093
CN-G3S2-3056-?	30	156	18	42	N/A	\$18,307
CN-G3S2-3062-?	30	162	18	42	N/A	\$18,444
CN-G3S2-3068-?	30	168	18	42	N/A	\$18,582
CN-G3S2-3074-?	30	174	18	42	N/A	\$18,799
CN-G3S2-3080-?	30	180	18	42	N/A	\$19,015
CN-G3S2-3086-?	30	186	18	42	N/A	\$19,148
CN-G3S2-3092-?	30	192	18	42	N/A	\$19,281

- 3" thick panels in HPL with HPL self edge; TFL not available.
- Mitered corner construction with concealed metal support frame.
- Adjustable levelers.
- Ships partially assembled, in 3 sections.
- 6" high heavy duty casters can be added to Chapala and Haverford parsons tables. The overall height does not change. To add casters, add OP-CSTR-PRSN-6 for \$1150 for 6 locking casters.

Chapala

2-Piece Bar Height Parsons Table



Model Number	Width	Length	Center Leg	Height	TFL (T)	HPL (H)
<b>36" Wide</b>						
CN-G3S2-3602-?	36	102	18	42	N/A	\$16,809
CN-G3S2-3608-?	36	108	18	42	N/A	\$17,152
CN-G3S2-3614-?	36	114	18	42	N/A	\$17,502
CN-G3S2-3620-?	36	120	18	42	N/A	\$17,859
CN-G3S2-3626-?	36	126	18	42	N/A	\$18,083
CN-G3S2-3632-?	36	132	18	42	N/A	\$18,307
CN-G3S2-3638-?	36	138	18	42	N/A	\$18,455
CN-G3S2-3644-?	36	144	18	42	N/A	\$18,602
CN-G3S2-3650-?	36	150	18	42	N/A	\$18,828
CN-G3S2-3656-?	36	156	18	42	N/A	\$19,054
CN-G3S2-3662-?	36	162	18	42	N/A	\$19,202
CN-G3S2-3668-?	36	168	18	42	N/A	\$19,350
CN-G3S2-3674-?	36	174	18	42	N/A	\$19,576
CN-G3S2-3680-?	36	180	18	42	N/A	\$19,802
CN-G3S2-3686-?	36	186	18	42	N/A	\$19,949
CN-G3S2-3692-?	36	192	18	42	N/A	\$20,095
<b>42" Wide</b>						
CN-G3S2-4202-?	42	102	21	42	N/A	\$17,448
CN-G3S2-4208-?	42	108	21	42	N/A	\$17,804
CN-G3S2-4214-?	42	114	21	42	N/A	\$18,168
CN-G3S2-4220-?	42	120	21	42	N/A	\$18,538
CN-G3S2-4226-?	42	126	21	42	N/A	\$18,605
CN-G3S2-4232-?	42	132	21	42	N/A	\$18,671
CN-G3S2-4238-?	42	138	21	42	N/A	\$19,001
CN-G3S2-4244-?	42	144	21	42	N/A	\$19,332
CN-G3S2-4250-?	42	150	21	42	N/A	\$19,567
CN-G3S2-4256-?	42	156	21	42	N/A	\$19,802
CN-G3S2-4262-?	42	162	21	42	N/A	\$19,961
CN-G3S2-4268-?	42	168	21	42	N/A	\$20,121
CN-G3S2-4274-?	42	174	21	42	N/A	\$20,356
CN-G3S2-4280-?	42	180	21	42	N/A	\$20,591
CN-G3S2-4286-?	42	186	21	42	N/A	\$20,749
CN-G3S2-4292-?	42	192	21	42	N/A	\$20,907

- 3" thick panels in HPL with HPL self edge; TFL not available.
- Mitered corner construction with concealed metal support frame.
- Adjustable levelers.
- Ships partially assembled, in 3 sections.
- 6" high heavy duty casters can be added to Chapala and Haverford parsons tables. The overall height does not change. To add casters, add OP-CSTR-PRSN-6 for \$1150 for 6 locking casters.

**Haverford**

Desk Height Parsons Table



Model Number	Width	Length	Height	TFL (T)	HPL (H)
<b>24" Wide</b>					
CN-GR4D-2460-H	24	60	29	N/A	\$10,635
CN-GR4D-2466-H	24	66	29	N/A	\$11,000
CN-GR4D-2472-H	24	72	29	N/A	\$11,195
CN-GR4D-2478-H	24	78	29	N/A	\$11,558
CN-GR4D-2484-H	24	84	29	N/A	\$11,750
CN-GR4D-2490-H	24	90	29	N/A	\$12,115
CN-GR4D-2496-H	24	96	29	N/A	\$12,311
CN-GR4D-2402-H	24	102	29	N/A	\$13,879
CN-GR4D-2408-H	24	108	29	N/A	\$14,095
CN-GR4D-2414-H	24	114	29	N/A	\$14,492
CN-GR4D-2420-H	24	120	29	N/A	\$14,705
<b>30" Wide</b>					
CN-GR4D-3060-H	30	60	29	N/A	\$11,103
CN-GR4D-3066-H	30	66	29	N/A	\$11,482
CN-GR4D-3072-H	30	72	29	N/A	\$11,693
CN-GR4D-3078-H	30	78	29	N/A	\$12,072
CN-GR4D-3084-H	30	84	29	N/A	\$12,282
CN-GR4D-3090-H	30	90	29	N/A	\$12,661
CN-GR4D-3096-H	30	96	29	N/A	\$12,873
CN-GR4D-3002-H	30	102	29	N/A	\$14,516
CN-GR4D-3008-H	30	108	29	N/A	\$14,745
CN-GR4D-3014-H	30	114	29	N/A	\$15,160
CN-GR4D-3020-H	30	120	29	N/A	\$15,390

- 3-3/8" thick panels in HPL with Deskmakers standard 2MM PVC edge banding; TFL not available.
- Recessed middle accent color stripe
- Mitered corner construction with concealed metal support frame.
- Adjustable levelers.
- Ships fully assembled.
- Tables over 96" available in Southern California and/or will call only.
- 6" high heavy duty casters can be added to Chapala and Haverford parsons tables. The overall height does not change. To add casters, add OP-CSTR-PRSN-4 for \$1022 for 4 locking casters.

**Removable Access Panel**



Model Number	Width	Height	Price
CN-ACPL-29	10	26	\$460

- Price is for one removable access panel on one end of table.
- Removable panel is 3/4" material.

**Haverford**

Desk Height Parsons Table



Model Number	Width	Length	Height	TFL (T)	HPL (H)
<b>36" Wide</b>					
CN-GR4D-3660-H	36	60	29	N/A	\$11,571
CN-GR4D-3666-H	36	66	29	N/A	\$11,967
CN-GR4D-3672-H	36	72	29	N/A	\$12,191
CN-GR4D-3678-H	36	78	29	N/A	\$12,588
CN-GR4D-3684-H	36	84	29	N/A	\$12,812
CN-GR4D-3690-H	36	90	29	N/A	\$13,211
CN-GR4D-3696-H	36	96	29	N/A	\$13,433
CN-GR4D-3602-H	36	102	29	N/A	\$15,149
CN-GR4D-3608-H	36	108	29	N/A	\$15,396
CN-GR4D-3614-H	36	114	29	N/A	\$15,827
CN-GR4D-3620-H	36	120	29	N/A	\$16,076
<b>42" Wide</b>					
CN-GR4D-4260-H	42	60	29	N/A	\$12,038
CN-GR4D-4266-H	42	66	29	N/A	\$12,449
CN-GR4D-4272-H	42	72	29	N/A	\$12,691
CN-GR4D-4278-H	42	78	29	N/A	\$13,100
CN-GR4D-4284-H	42	84	29	N/A	\$13,344
CN-GR4D-4290-H	42	90	29	N/A	\$13,755
CN-GR4D-4296-H	42	96	29	N/A	\$13,999
CN-GR4D-4202-H	42	102	29	N/A	\$15,784
CN-GR4D-4208-H	42	108	29	N/A	\$16,049
CN-GR4D-4214-H	42	114	29	N/A	\$16,497
CN-GR4D-4220-H	42	120	29	N/A	\$16,762

- 3-3/8" thick panels in HPL with Deskmakers standard 2MM PVC edge banding; TFL not available.
- Recessed middle accent color stripe
- Mitered corner construction with concealed metal support frame.
- Adjustable levelers.
- Ships fully assembled.
- Tables over 96" available in Southern California and/or will call only.
- 6" high heavy duty casters can be added to Chapala and Haverford parsons tables. The overall height does not change. To add casters, add OP-CSTR-PRSN-4 for \$1022 for 4 locking casters.

**Removable Access Panel**



Model Number	Width	Height	Price
CN-ACPL-29	10	26	\$460

- Price is for one removable access panel on one end of table.
- Removable panel is 3/4" material.

Haverford

2-Piece Desk Height Parsons Table



Model Number	Width	Length	Center Leg	Height	TFL (T)	HPL (H)
<b>24" Wide</b>						
CN-G4D2-2402-?	24	102	16	29	N/A	\$20,018
CN-G4D2-2408-?	24	108	16	29	N/A	\$20,427
CN-G4D2-2414-?	24	114	16	29	N/A	\$20,844
CN-G4D2-2420-?	24	120	16	29	N/A	\$21,269
CN-G4D2-2426-?	24	126	16	29	N/A	\$21,634
CN-G4D2-2432-?	24	132	16	29	N/A	\$21,999
CN-G4D2-2438-?	24	138	16	29	N/A	\$22,195
CN-G4D2-2444-?	24	144	16	29	N/A	\$22,391
CN-G4D2-2450-?	24	150	16	29	N/A	\$22,753
CN-G4D2-2456-?	24	156	16	29	N/A	\$23,115
CN-G4D2-2462-?	24	162	16	29	N/A	\$23,308
CN-G4D2-2468-?	24	168	16	29	N/A	\$23,501
CN-G4D2-2474-?	24	174	16	29	N/A	\$23,865
CN-G4D2-2480-?	24	180	16	29	N/A	\$24,230
CN-G4D2-2486-?	24	186	16	29	N/A	\$24,426
CN-G4D2-2492-?	24	192	16	29	N/A	\$24,622
<b>30" Wide</b>						
CN-G4D2-3002-?	30	102	18	29	N/A	\$20,899
CN-G4D2-3008-?	30	108	18	29	N/A	\$21,326
CN-G4D2-3014-?	30	114	18	29	N/A	\$21,761
CN-G4D2-3020-?	30	120	18	29	N/A	\$22,205
CN-G4D2-3026-?	30	126	18	29	N/A	\$22,585
CN-G4D2-3032-?	30	132	18	29	N/A	\$22,964
CN-G4D2-3038-?	30	138	18	29	N/A	\$23,175
CN-G4D2-3044-?	30	144	18	29	N/A	\$23,386
CN-G4D2-3050-?	30	150	18	29	N/A	\$23,766
CN-G4D2-3056-?	30	156	18	29	N/A	\$24,145
CN-G4D2-3062-?	30	162	18	29	N/A	\$24,355
CN-G4D2-3068-?	30	168	18	29	N/A	\$24,565
CN-G4D2-3074-?	30	174	18	29	N/A	\$24,943
CN-G4D2-3080-?	30	180	18	29	N/A	\$25,322
CN-G4D2-3086-?	30	186	18	29	N/A	\$25,534
CN-G4D2-3092-?	30	192	18	29	N/A	\$25,746

- 3-3/8" thick panels in HPL with Deskmakers standard 2MM PVC edge banding; TFL not available.

- Recessed middle accent color stripe

- Mitered corner construction with concealed metal support frame.

- Adjustable levelers.

- Ships partially assembled, in 3 sections.

- 6" high heavy duty casters can be added to Chapala and Haverford parsons tables. The overall height does not change. To add casters, add OP-CSTR-PRSN-6 for \$1150 for 6 locking casters.

Haverford

2-Piece Desk Height Parsons Table



Model Number	Width	Length	Center Leg	Height	TFL (T)	HPL (H)
<b>36" Wide</b>						
CN-G4D2-3602-?	36	102	18	29	N/A	\$21,780
CN-G4D2-3608-?	36	108	18	29	N/A	\$22,225
CN-G4D2-3614-?	36	114	18	29	N/A	\$22,677
CN-G4D2-3620-?	36	120	18	29	N/A	\$23,141
CN-G4D2-3626-?	36	126	18	29	N/A	\$23,537
CN-G4D2-3632-?	36	132	18	29	N/A	\$23,934
CN-G4D2-3638-?	36	138	18	29	N/A	\$24,159
CN-G4D2-3644-?	36	144	18	29	N/A	\$24,384
CN-G4D2-3650-?	36	150	18	29	N/A	\$24,779
CN-G4D2-3656-?	36	156	18	29	N/A	\$25,177
CN-G4D2-3662-?	36	162	18	29	N/A	\$25,401
CN-G4D2-3668-?	36	168	18	29	N/A	\$25,624
CN-G4D2-3674-?	36	174	18	29	N/A	\$26,023
CN-G4D2-3680-?	36	180	18	29	N/A	\$26,422
CN-G4D2-3686-?	36	186	18	29	N/A	\$26,645
CN-G4D2-3692-?	36	192	18	29	N/A	\$26,867
<b>42" Wide</b>						
CN-G4D2-4202-?	42	102	21	29	N/A	\$22,660
CN-G4D2-4208-?	42	108	21	29	N/A	\$23,122
CN-G4D2-4214-?	42	114	21	29	N/A	\$23,595
CN-G4D2-4220-?	42	120	21	29	N/A	\$24,076
CN-G4D2-4226-?	42	126	21	29	N/A	\$24,488
CN-G4D2-4232-?	42	132	21	29	N/A	\$24,900
CN-G4D2-4238-?	42	138	21	29	N/A	\$25,141
CN-G4D2-4244-?	42	144	21	29	N/A	\$25,383
CN-G4D2-4250-?	42	150	21	29	N/A	\$25,792
CN-G4D2-4256-?	42	156	21	29	N/A	\$26,200
CN-G4D2-4262-?	42	162	21	29	N/A	\$26,444
CN-G4D2-4268-?	42	168	21	29	N/A	\$26,688
CN-G4D2-4274-?	42	174	21	29	N/A	\$27,099
CN-G4D2-4280-?	42	180	21	29	N/A	\$27,509
CN-G4D2-4286-?	42	186	21	29	N/A	\$27,753
CN-G4D2-4292-?	42	192	21	29	N/A	\$27,998

- 3-3/8" thick panels in HPL with Deskmakers standard 2MM PVC edge banding; TFL not available.

- Recessed middle accent color stripe

- Mitered corner construction with concealed metal support frame.

- Adjustable levelers.

- Ships partially assembled, in 3 sections.

- 6" high heavy duty casters can be added to Chapala and Haverford parsons tables. The overall height does not change. To add casters, add OP-CSTR-PRSN-6 for \$1150 for 6 locking casters.

**Haverford**

Counter Height Parsons Table



Model Number	Width	Length	Height	TFL (T)	HPL (H)
<b>24" Wide</b>					
CN-GR4C-2460-H	24	60	36	N/A	\$11,277
CN-GR4C-2466-H	24	66	36	N/A	\$11,641
CN-GR4C-2472-H	24	72	36	N/A	\$11,837
CN-GR4C-2478-H	24	78	36	N/A	\$12,201
CN-GR4C-2484-H	24	84	36	N/A	\$12,394
CN-GR4C-2490-H	24	90	36	N/A	\$12,756
CN-GR4C-2496-H	24	96	36	N/A	\$12,952
CN-GR4C-2402-H	24	102	36	N/A	\$14,596
CN-GR4C-2408-H	24	108	36	N/A	\$14,812
CN-GR4C-2414-H	24	114	36	N/A	\$15,208
CN-GR4C-2420-H	24	120	36	N/A	\$15,420
<b>30" Wide</b>					
CN-GR4C-3060-H	30	60	36	N/A	\$11,807
CN-GR4C-3066-H	30	66	36	N/A	\$12,185
CN-GR4C-3072-H	30	72	36	N/A	\$12,399
CN-GR4C-3078-H	30	78	36	N/A	\$12,778
CN-GR4C-3084-H	30	84	36	N/A	\$12,988
CN-GR4C-3090-H	30	90	36	N/A	\$13,367
CN-GR4C-3096-H	30	96	36	N/A	\$13,578
CN-GR4C-3002-H	30	102	36	N/A	\$15,299
CN-GR4C-3008-H	30	108	36	N/A	\$15,529
CN-GR4C-3014-H	30	114	36	N/A	\$15,946
CN-GR4C-3020-H	30	120	36	N/A	\$16,176

- 3-3/8" thick panels in HPL with Deskmakers standard 2MM PVC edge banding; TFL not available.
- Recessed middle accent color stripe
- Mitered corner construction with concealed metal support frame.
- Adjustable levelers.
- Ships fully assembled.
- Tables over 96" available in Southern California and/or will call only.
- 6" high heavy duty casters can be added to Chapala and Haverford parsons tables. The overall height does not change. To add casters, add OP-CSTR-PRSN-4 for \$1022 for 4 locking casters.

**Removable Access Panel**



Model Number	Width	Height	Price
CN-ACPL-36	10	32	\$482

- Price is for one removable access panel on one end of table.
- Removable panel is 3/4" material.

**Haverford**

Counter Height Parsons Table



Model Number	Width	Length	Height	TFL (T)	HPL (H)
<b>36" Wide</b>					
CN-GR4C-3660-H	36	60	36	N/A	\$12,338
CN-GR4C-3666-H	36	66	36	N/A	\$12,733
CN-GR4C-3672-H	36	72	36	N/A	\$12,959
CN-GR4C-3678-H	36	78	36	N/A	\$13,356
CN-GR4C-3684-H	36	84	36	N/A	\$13,582
CN-GR4C-3690-H	36	90	36	N/A	\$13,975
CN-GR4C-3696-H	36	96	36	N/A	\$14,203
CN-GR4C-3602-H	36	102	36	N/A	\$16,003
CN-GR4C-3608-H	36	108	36	N/A	\$16,252
CN-GR4C-3614-H	36	114	36	N/A	\$16,683
CN-GR4C-3620-H	36	120	36	N/A	\$16,932
<b>42" Wide</b>					
CN-GR4C-4260-H	42	60	36	N/A	\$12,869
CN-GR4C-4266-H	42	66	36	N/A	\$13,281
CN-GR4C-4272-H	42	72	36	N/A	\$13,523
CN-GR4C-4278-H	42	78	36	N/A	\$13,934
CN-GR4C-4284-H	42	84	36	N/A	\$14,178
CN-GR4C-4290-H	42	90	36	N/A	\$14,587
CN-GR4C-4296-H	42	96	36	N/A	\$14,830
CN-GR4C-4202-H	42	102	36	N/A	\$16,708
CN-GR4C-4208-H	42	108	36	N/A	\$16,971
CN-GR4C-4214-H	42	114	36	N/A	\$17,421
CN-GR4C-4220-H	42	120	36	N/A	\$17,686

- 3-3/8" thick panels in HPL with Deskmakers standard 2MM PVC edge banding; TFL not available.
- Recessed middle accent color stripe
- Mitered corner construction with concealed metal support frame.
- Adjustable levelers.
- Ships fully assembled.
- Tables over 96" available in Southern California and/or will call only.
- 6" high heavy duty casters can be added to Chapala and Haverford parsons tables. The overall height does not change. To add casters, add OP-CSTR-PRSN-4 for \$1022 for 4 locking casters.

**Removable Access Panel**

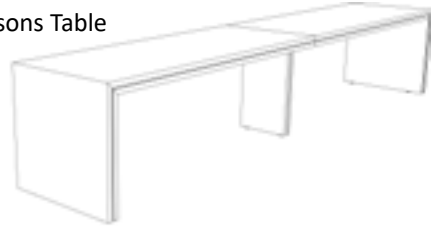


Model Number	Width	Height	Price
CN-ACPL-36	10	32	\$482

- Price is for one removable access panel on one end of table.
- Removable panel is 3/4" material.

Haverford

2-Piece Counter Height Parsons Table



Model Number	Width	Length	Center Leg	Height	TFL (T)	HPL (H)
<b>24" Wide</b>						
CN-G4C2-2402-?	24	102	16	36	N/A	\$21,227
CN-G4C2-2408-?	24	108	16	36	N/A	\$21,660
CN-G4C2-2414-?	24	114	16	36	N/A	\$22,103
CN-G4C2-2420-?	24	120	16	36	N/A	\$22,554
CN-G4C2-2426-?	24	126	16	36	N/A	\$22,918
CN-G4C2-2432-?	24	132	16	36	N/A	\$23,283
CN-G4C2-2438-?	24	138	16	36	N/A	\$23,478
CN-G4C2-2444-?	24	144	16	36	N/A	\$23,673
CN-G4C2-2450-?	24	150	16	36	N/A	\$24,037
CN-G4C2-2456-?	24	156	16	36	N/A	\$24,402
CN-G4C2-2462-?	24	162	16	36	N/A	\$24,595
CN-G4C2-2468-?	24	168	16	36	N/A	\$24,787
CN-G4C2-2474-?	24	174	16	36	N/A	\$25,253
CN-G4C2-2480-?	24	180	16	36	N/A	\$25,718
CN-G4C2-2486-?	24	186	16	36	N/A	\$25,811
CN-G4C2-2492-?	24	192	16	36	N/A	\$25,904
<b>30" Wide</b>						
CN-G4C2-3002-?	30	102	18	36	N/A	\$22,225
CN-G4C2-3008-?	30	108	18	36	N/A	\$22,677
CN-G4C2-3014-?	30	114	18	36	N/A	\$23,141
CN-G4C2-3020-?	30	120	18	36	N/A	\$23,613
CN-G4C2-3026-?	30	126	18	36	N/A	\$23,991
CN-G4C2-3032-?	30	132	18	36	N/A	\$24,370
CN-G4C2-3038-?	30	138	18	36	N/A	\$24,584
CN-G4C2-3044-?	30	144	18	36	N/A	\$24,799
CN-G4C2-3050-?	30	150	18	36	N/A	\$25,177
CN-G4C2-3056-?	30	156	18	36	N/A	\$25,555
CN-G4C2-3062-?	30	162	18	36	N/A	\$25,765
CN-G4C2-3068-?	30	168	18	36	N/A	\$25,975
CN-G4C2-3074-?	30	174	18	36	N/A	\$26,355
CN-G4C2-3080-?	30	180	18	36	N/A	\$26,734
CN-G4C2-3086-?	30	186	18	36	N/A	\$26,945
CN-G4C2-3092-?	30	192	18	36	N/A	\$27,156

- 3-3/8" thick panels in HPL with Deskmakers standard 2MM PVC edge banding; TFL not available.
- Recessed middle accent color stripe
- Mitered corner construction with concealed metal support frame.
- Adjustable levelers.
- Ships partially assembled, in 3 sections.
- 6" high heavy duty casters can be added to Chapala and Haverford parsons tables. The overall height does not change. To add casters, add OP-CSTR-PRSN-6 for \$1150 for 6 locking casters.

Haverford

2-Piece Counter Height Parsons Table



Model Number	Width	Length	Center Leg	Height	TFL (T)	HPL (H)
<b>36" Wide</b>						
CN-G4C2-3602-?	36	102	18	36	N/A	\$23,226
CN-G4C2-3608-?	36	108	18	36	N/A	\$23,700
CN-G4C2-3614-?	36	114	18	36	N/A	\$24,184
CN-G4C2-3620-?	36	120	18	36	N/A	\$24,677
CN-G4C2-3626-?	36	126	18	36	N/A	\$25,072
CN-G4C2-3632-?	36	132	18	36	N/A	\$25,466
CN-G4C2-3638-?	36	138	18	36	N/A	\$25,692
CN-G4C2-3644-?	36	144	18	36	N/A	\$25,918
CN-G4C2-3650-?	36	150	18	36	N/A	\$26,314
CN-G4C2-3656-?	36	156	18	36	N/A	\$26,711
CN-G4C2-3662-?	36	162	18	36	N/A	\$26,937
CN-G4C2-3668-?	36	168	18	36	N/A	\$27,163
CN-G4C2-3674-?	36	174	18	36	N/A	\$27,556
CN-G4C2-3680-?	36	180	18	36	N/A	\$27,950
CN-G4C2-3686-?	36	186	18	36	N/A	\$28,178
CN-G4C2-3692-?	36	192	18	36	N/A	\$28,406
<b>42" Wide</b>						
CN-G4C2-4202-?	42	102	21	36	N/A	\$24,223
CN-G4C2-4208-?	42	108	21	36	N/A	\$24,717
CN-G4C2-4214-?	42	114	21	36	N/A	\$25,222
CN-G4C2-4220-?	42	120	21	36	N/A	\$25,737
CN-G4C2-4226-?	42	126	21	36	N/A	\$26,149
CN-G4C2-4232-?	42	132	21	36	N/A	\$26,562
CN-G4C2-4238-?	42	138	21	36	N/A	\$26,787
CN-G4C2-4244-?	42	144	21	36	N/A	\$27,046
CN-G4C2-4250-?	42	150	21	36	N/A	\$27,456
CN-G4C2-4256-?	42	156	21	36	N/A	\$27,867
CN-G4C2-4262-?	42	162	21	36	N/A	\$28,111
CN-G4C2-4268-?	42	168	21	36	N/A	\$28,355
CN-G4C2-4274-?	42	174	21	36	N/A	\$28,765
CN-G4C2-4280-?	42	180	21	36	N/A	\$29,174
CN-G4C2-4286-?	42	186	21	36	N/A	\$29,417
CN-G4C2-4292-?	42	192	21	36	N/A	\$29,660

- 3-3/8" thick panels in HPL with Deskmakers standard 2MM PVC edge banding; TFL not available.
- Recessed middle accent color stripe
- Mitered corner construction with concealed metal support frame.
- Adjustable levelers.
- Ships partially assembled, in 3 sections.
- 6" high heavy duty casters can be added to Chapala and Haverford parsons tables. The overall height does not change. To add casters, add OP-CSTR-PRSN-6 for \$1150 for 6 locking casters.

**Haverford**

Bar Height Parsons Table



Model Number	Width	Length	Height	TFL (T)	HPL (H)
<b>24" Wide</b>					
CN-GR4S-2460-H	24	60	42	N/A	\$11,414
CN-GR4S-2466-H	24	66	42	N/A	\$11,779
CN-GR4S-2472-H	24	72	42	N/A	\$11,974
CN-GR4S-2478-H	24	78	42	N/A	\$12,339
CN-GR4S-2484-H	24	84	42	N/A	\$12,531
CN-GR4S-2490-H	24	90	42	N/A	\$12,894
CN-GR4S-2496-H	24	96	42	N/A	\$13,090
CN-GR4S-2402-H	24	102	42	N/A	\$14,734
CN-GR4S-2408-H	24	108	42	N/A	\$14,950
CN-GR4S-2414-H	24	114	42	N/A	\$15,345
CN-GR4S-2420-H	24	120	42	N/A	\$15,558
<b>30" Wide</b>					
CN-GR4S-3060-H	30	60	42	N/A	\$11,944
CN-GR4S-3066-H	30	66	42	N/A	\$12,323
CN-GR4S-3072-H	30	72	42	N/A	\$12,537
CN-GR4S-3078-H	30	78	42	N/A	\$12,915
CN-GR4S-3084-H	30	84	42	N/A	\$13,125
CN-GR4S-3090-H	30	90	42	N/A	\$13,504
CN-GR4S-3096-H	30	96	42	N/A	\$13,716
CN-GR4S-3002-H	30	102	42	N/A	\$15,437
CN-GR4S-3008-H	30	108	42	N/A	\$15,667
CN-GR4S-3014-H	30	114	42	N/A	\$16,084
CN-GR4S-3020-H	30	120	42	N/A	\$16,314

- 3-3/8" thick panels in HPL with Deskmakers standard 2MM PVC edge banding; TFL not available.
- Recessed middle accent color stripe
- Mitered corner construction with concealed metal support frame.
- Adjustable levelers.
- Ships fully assembled.
- Tables over 96" available in Southern California and/or will call only.
- 6" high heavy duty casters can be added to Chapala and Haverford parsons tables. The overall height does not change. To add casters, add OP-CSTR-PRSN-4 for \$1022 for 4 locking casters.

**Removable Access Panel**



Model Number	Width	Height	Price
CN-ACPL-42	10	38	\$502

- Price is for one removable access panel on one end of table.
- Removable panel is 3/4" material.

**Haverford**

Bar Height Parsons Table



Model Number	Width	Length	Height	TFL (T)	HPL (H)
<b>36" Wide</b>					
CN-GR4S-3660-H	36	60	42	N/A	\$12,476
CN-GR4S-3666-H	36	66	42	N/A	\$12,871
CN-GR4S-3672-H	36	72	42	N/A	\$13,097
CN-GR4S-3678-H	36	78	42	N/A	\$13,493
CN-GR4S-3684-H	36	84	42	N/A	\$13,719
CN-GR4S-3690-H	36	90	42	N/A	\$14,112
CN-GR4S-3696-H	36	96	42	N/A	\$14,340
CN-GR4S-3602-H	36	102	42	N/A	\$16,140
CN-GR4S-3608-H	36	108	42	N/A	\$16,390
CN-GR4S-3614-H	36	114	42	N/A	\$16,820
CN-GR4S-3620-H	36	120	42	N/A	\$17,070
<b>42" Wide</b>					
CN-GR4S-4260-H	42	60	42	N/A	\$13,006
CN-GR4S-4266-H	42	66	42	N/A	\$13,419
CN-GR4S-4272-H	42	72	42	N/A	\$13,661
CN-GR4S-4278-H	42	78	42	N/A	\$14,072
CN-GR4S-4284-H	42	84	42	N/A	\$14,315
CN-GR4S-4290-H	42	90	42	N/A	\$14,724
CN-GR4S-4296-H	42	96	42	N/A	\$14,968
CN-GR4S-4202-H	42	102	42	N/A	\$16,846
CN-GR4S-4208-H	42	108	42	N/A	\$17,109
CN-GR4S-4214-H	42	114	42	N/A	\$17,559
CN-GR4S-4220-H	42	120	42	N/A	\$17,824

- 3-3/8" thick panels in HPL with Deskmakers standard 2MM PVC edge banding; TFL not available.
- Recessed middle accent color stripe
- Mitered corner construction with concealed metal support frame.
- Adjustable levelers.
- Ships fully assembled.
- Tables over 96" available in Southern California and/or will call only.
- 6" high heavy duty casters can be added to Chapala and Haverford parsons tables. The overall height does not change. To add casters, add OP-CSTR-PRSN-4 for \$1022 for 4 locking casters.

**Removable Access Panel**

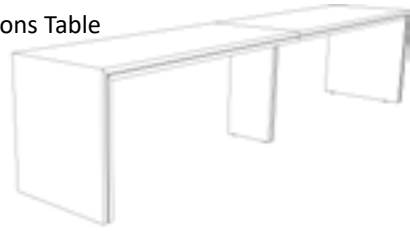


Model Number	Width	Height	Price
CN-ACPL-42	10	38	\$502

- Price is for one removable access panel on one end of table.
- Removable panel is 3/4" material.

Haverford

2-Piece Counter Height Parsons Table



Model Number	Width	Length	Center Leg	Height	TFL (T)	HPL (H)
<b>24" Wide</b>						
CN-G4S2-2402-?	24	102	16	42	N/A	\$21,486
CN-G4S2-2408-?	24	108	16	42	N/A	\$21,925
CN-G4S2-2414-?	24	114	16	42	N/A	\$22,370
CN-G4S2-2420-?	24	120	16	42	N/A	\$22,829
CN-G4S2-2426-?	24	126	16	42	N/A	\$23,193
CN-G4S2-2432-?	24	132	16	42	N/A	\$23,558
CN-G4S2-2438-?	24	138	16	42	N/A	\$23,753
CN-G4S2-2444-?	24	144	16	42	N/A	\$23,948
CN-G4S2-2450-?	24	150	16	42	N/A	\$24,313
CN-G4S2-2456-?	24	156	16	42	N/A	\$24,677
CN-G4S2-2462-?	24	162	16	42	N/A	\$24,870
CN-G4S2-2468-?	24	168	16	42	N/A	\$25,062
CN-G4S2-2474-?	24	174	16	42	N/A	\$25,425
CN-G4S2-2480-?	24	180	16	42	N/A	\$25,787
CN-G4S2-2486-?	24	186	16	42	N/A	\$25,983
CN-G4S2-2492-?	24	192	16	42	N/A	\$26,179
<b>30" Wide</b>						
CN-G4S2-3002-?	30	102	18	42	N/A	\$22,484
CN-G4S2-3008-?	30	108	18	42	N/A	\$22,942
CN-G4S2-3014-?	30	114	18	42	N/A	\$23,410
CN-G4S2-3020-?	30	120	18	42	N/A	\$23,888
CN-G4S2-3026-?	30	126	18	42	N/A	\$24,267
CN-G4S2-3032-?	30	132	18	42	N/A	\$24,645
CN-G4S2-3038-?	30	138	18	42	N/A	\$24,859
CN-G4S2-3044-?	30	144	18	42	N/A	\$25,074
CN-G4S2-3050-?	30	150	18	42	N/A	\$25,452
CN-G4S2-3056-?	30	156	18	42	N/A	\$25,831
CN-G4S2-3062-?	30	162	18	42	N/A	\$26,040
CN-G4S2-3068-?	30	168	18	42	N/A	\$26,250
CN-G4S2-3074-?	30	174	18	42	N/A	\$26,630
CN-G4S2-3080-?	30	180	18	42	N/A	\$27,009
CN-G4S2-3086-?	30	186	18	42	N/A	\$27,220
CN-G4S2-3092-?	30	192	18	42	N/A	\$27,431

- 3-3/8" thick panels in HPL with Deskmakers standard 2MM PVC edge banding; TFL not available.

- Recessed middle accent color stripe

- Mitered corner construction with concealed metal support frame.

- Adjustable levelers.

- Ships partially assembled, in 3 sections.

- 6" high heavy duty casters can be added to Chapala and Haverford parsons tables. The overall height does not change. To add casters, add OP-CSTR-PRSN-6 for \$1150 for 6 locking casters.

Haverford

2-Piece Counter Height Parsons Table



Model Number	Width	Length	Center Leg	Height	TFL (T)	HPL (H)
<b>36" Wide</b>						
CN-G4S2-3602-?	36	102	18	42	N/A	\$23,485
CN-G4S2-3608-?	36	108	18	42	N/A	\$23,964
CN-G4S2-3614-?	36	114	18	42	N/A	\$24,454
CN-G4S2-3620-?	36	120	18	42	N/A	\$24,952
CN-G4S2-3626-?	36	126	18	42	N/A	\$25,347
CN-G4S2-3632-?	36	132	18	42	N/A	\$25,741
CN-G4S2-3638-?	36	138	18	42	N/A	\$25,967
CN-G4S2-3644-?	36	144	18	42	N/A	\$26,193
CN-G4S2-3650-?	36	150	18	42	N/A	\$26,590
CN-G4S2-3656-?	36	156	18	42	N/A	\$26,986
CN-G4S2-3662-?	36	162	18	42	N/A	\$27,212
CN-G4S2-3668-?	36	168	18	42	N/A	\$27,438
CN-G4S2-3674-?	36	174	18	42	N/A	\$27,831
CN-G4S2-3680-?	36	180	18	42	N/A	\$28,225
CN-G4S2-3686-?	36	186	18	42	N/A	\$28,453
CN-G4S2-3692-?	36	192	18	42	N/A	\$28,681
<b>42" Wide</b>						
CN-G4S2-4202-?	42	102	21	42	N/A	\$24,482
CN-G4S2-4208-?	42	108	21	42	N/A	\$24,982
CN-G4S2-4214-?	42	114	21	42	N/A	\$25,491
CN-G4S2-4220-?	42	120	21	42	N/A	\$26,012
CN-G4S2-4226-?	42	126	21	42	N/A	\$26,425
CN-G4S2-4232-?	42	132	21	42	N/A	\$26,837
CN-G4S2-4238-?	42	138	21	42	N/A	\$27,068
CN-G4S2-4244-?	42	144	21	42	N/A	\$27,298
CN-G4S2-4250-?	42	150	21	42	N/A	\$27,720
CN-G4S2-4256-?	42	156	21	42	N/A	\$28,142
CN-G4S2-4262-?	42	162	21	42	N/A	\$28,386
CN-G4S2-4268-?	42	168	21	42	N/A	\$28,631
CN-G4S2-4274-?	42	174	21	42	N/A	\$29,040
CN-G4S2-4280-?	42	180	21	42	N/A	\$29,449
CN-G4S2-4286-?	42	186	21	42	N/A	\$29,692
CN-G4S2-4292-?	42	192	21	42	N/A	\$29,935

- 3-3/8" thick panels in HPL with Deskmakers standard 2MM PVC edge banding; TFL not available.

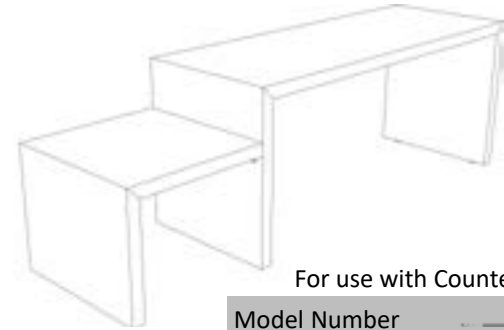
- Recessed middle accent color stripe

- Mitered corner construction with concealed metal support frame.

- Adjustable levelers.

- Ships partially assembled, in 3 sections.

- 6" high heavy duty casters can be added to Chapala and Haverford parsons tables. The overall height does not change. To add casters, add OP-CSTR-PRSN-6 for \$1150 for 6 locking casters.



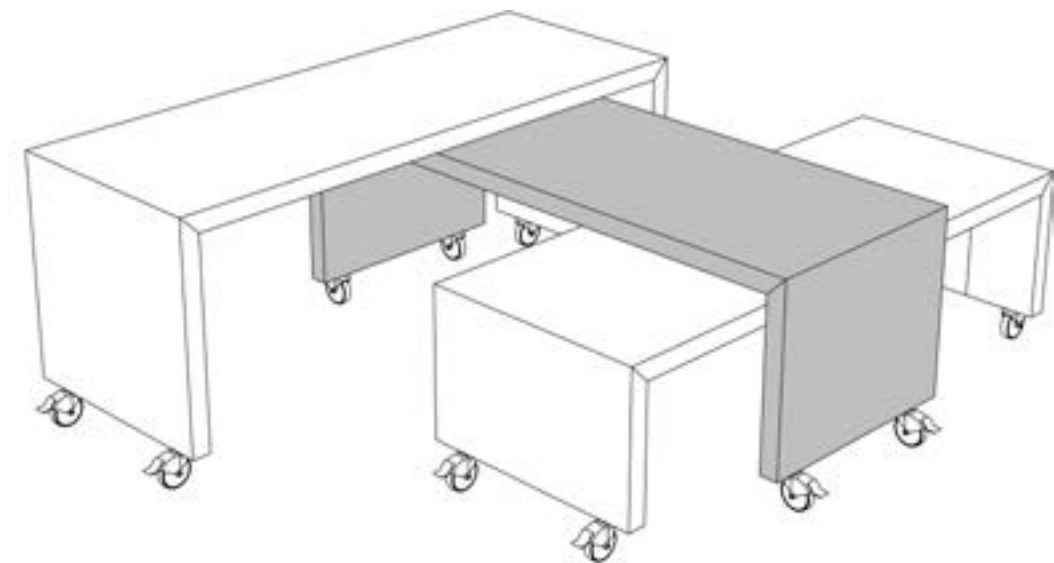
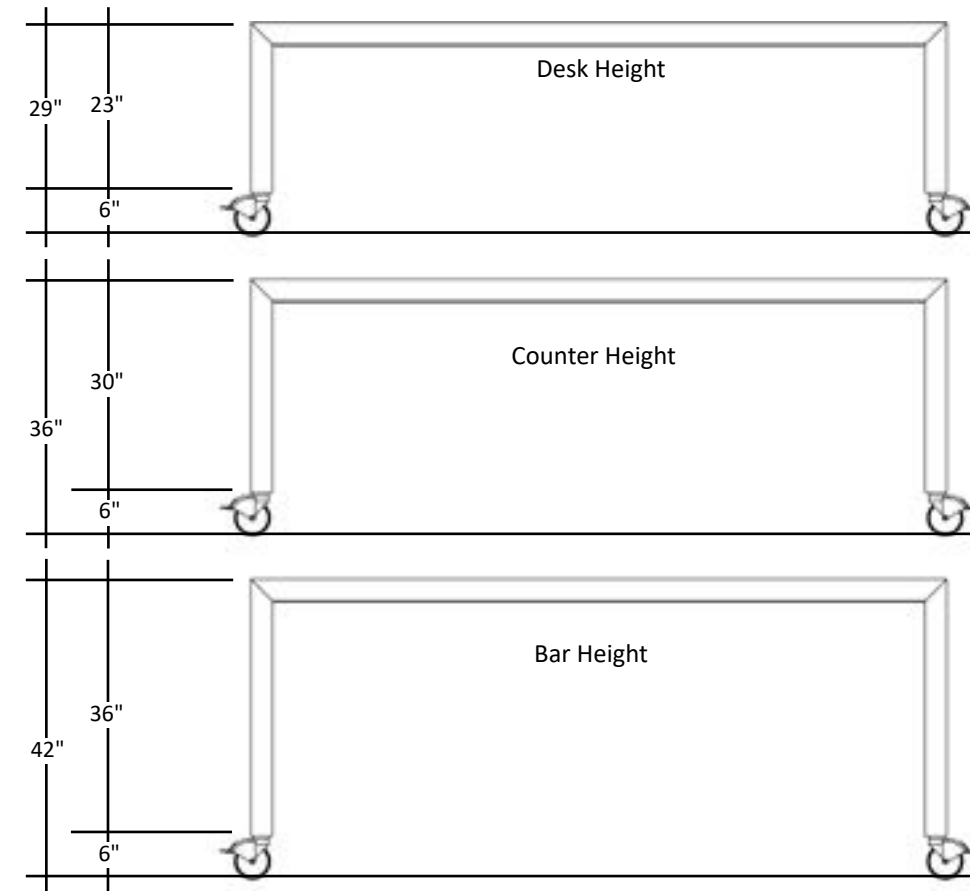
For use with Counter or Bar Height Parsons Table

Model Number	Width	Length	Height	TFL (T)	HPL (H)
<b>Radcliffe</b>					
CN-ADA1-2430-?	24	30	29	\$718	\$1,274
CN-ADA1-2436-?	24	36	29	\$719	\$1,277
CN-ADA1-3030-?	30	30	29	\$722	\$1,278
CN-ADA1-3036-?	30	36	29	\$723	\$1,281
CN-ADA1-3630-?	36	30	29	\$1,027	\$2,120
CN-ADA1-3636-?	36	36	29	\$1,030	\$2,123
CN-ADA1-4230-?	42	30	29	\$1,031	\$2,124
CN-ADA1-4236-?	42	36	29	\$1,033	\$2,126
<b>Albright</b>					
CN-ADA2-2430-?	24	30	29	\$1,779	\$3,784
CN-ADA2-2436-?	24	36	29	\$1,783	\$3,788
CN-ADA2-3030-?	30	30	29	\$1,787	\$3,792
CN-ADA2-3036-?	30	36	29	\$1,791	\$3,796
CN-ADA2-3630-?	36	30	29	\$1,795	\$3,800
CN-ADA2-3636-?	36	36	29	\$1,799	\$3,804
CN-ADA2-4230-?	42	30	29	\$1,803	\$3,809
CN-ADA2-4236-?	42	36	29	\$1,806	\$3,813
<b>Chapala</b>					
CN-ADA3-2430-?	24	30	30	NA	\$5,494
CN-ADA3-2436-?	24	36	30	NA	\$5,495
CN-ADA3-3030-?	30	30	30	NA	\$5,497
CN-ADA3-3036-?	30	36	30	NA	\$5,498
CN-ADA3-3630-?	36	30	30	NA	\$7,153
CN-ADA3-3636-?	36	36	30	NA	\$7,155
CN-ADA3-4230-?	42	30	30	NA	\$7,156
CN-ADA3-4236-?	42	36	30	NA	\$7,158
<b>Haverford</b>					
CN-ADA4-2430-?	24	30	30 3/4	NA	\$7,929
CN-ADA4-2436-?	24	36	30 3/4	NA	\$7,932
CN-ADA4-3030-?	30	30	30 3/4	NA	\$7,936
CN-ADA4-3036-?	30	36	30 3/4	NA	\$7,940
CN-ADA4-3630-?	36	30	30 3/4	NA	\$7,943
CN-ADA4-3636-?	36	36	30 3/4	NA	\$7,947
CN-ADA4-4230-?	42	30	30 3/4	NA	\$7,951
CN-ADA4-4236-?	42	36	30 3/4	NA	\$7,954

- Construction will match table style. Radcliffe and Albright ADA add-ons will ship KD.  
 - Add-on will attach to end panel of Counter or Bar height Parsons table via L brackets. Add-on counter should match width of the table it will be attached to.  
 - Height may vary from Desk Height Parson table in same style to preserve 27" clear kneespace.

Make it Mobile:

6" locking casters can be added to the Chappala or Haverford table styles using code OP-CSTR-PRSN-4 for \$1022 List for a standard table or OP-CSTR-PRSN-6 for \$1150 List for a 2-Piece table. Casters can be paired with plug-in electrical, but not with ADA add-on counters.



Please visit [Deskmakers.com](https://deskmakers.com) to view our current [Terms and Conditions](#).

Please visit [Deskmakers.com](https://deskmakers.com) to view our current [Warranty](#).

## Locations

### Los Angeles

DeskMakers Headquarters  
6525 Flotilla Street  
Commerce, CA 90040

### Dallas Factory

1110 Inwood Road  
Suite 101  
Dallas, TX 75247

---

# DeskMakers

Phone: 323.264.2260 | Fax: 323.725.6960  
[www.deskmakers.com](http://www.deskmakers.com)