



# tables

PRICE & SPECIFICATION GUIDE

meeting

cafe

training

occasional

storage

Version: 03.15.24  
*prices effective April 1, 2024*

**DeskMakers**

## revisions

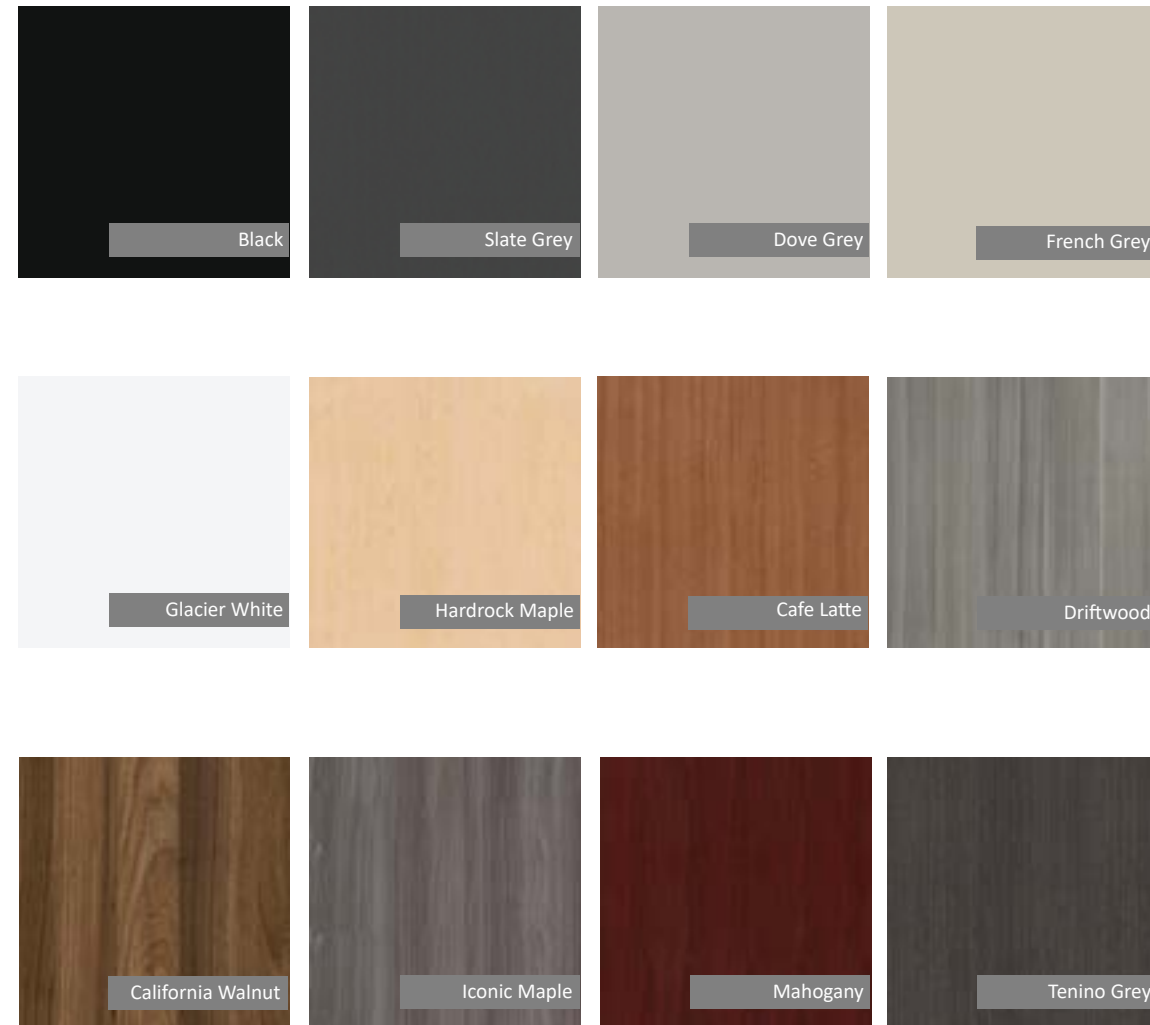
06/26/19	Price adjustments and corrections
07/02/19	Price corrections
07/18/19	Price corrections
07/31/19	Corrected Model Numbers
08/08/19	Corrected Torrey colors
09/18/19	Discontinued Fletcher and Redondo bases
12/10/19	Updated Beacon and Mission bases
01/01/21	Updated pricing and finishes
03/05/21	Discontinued Laguna Bases and select wood edges
04/02/21	Adjusted pricing on Newport and Cabrillo bases
08/09/21	Added Ribbon Collection
09/01/21	Updated finishes
12/20/21	Updated pricing and finishes
03/31/22	Updated select pricing and skus
08/18/22	Added surcharge note, updated TFL sizes
12/01/22	Updated pricing
10/18/23	Updated finishes
03/15/24	Updated pricing

## table of contents

<b>Finishes</b>	4-6
<b>Pulls</b>	7
<b>Meeting Tables</b>	8-105
<b>Cafe Tables</b>	106-123
<b>Training Tables</b>	124-147
<b>Occasional Tables</b>	148-165
<b>Storage</b>	166-171
<b>Terms and Conditions</b>	172
<b>Warranty</b>	173

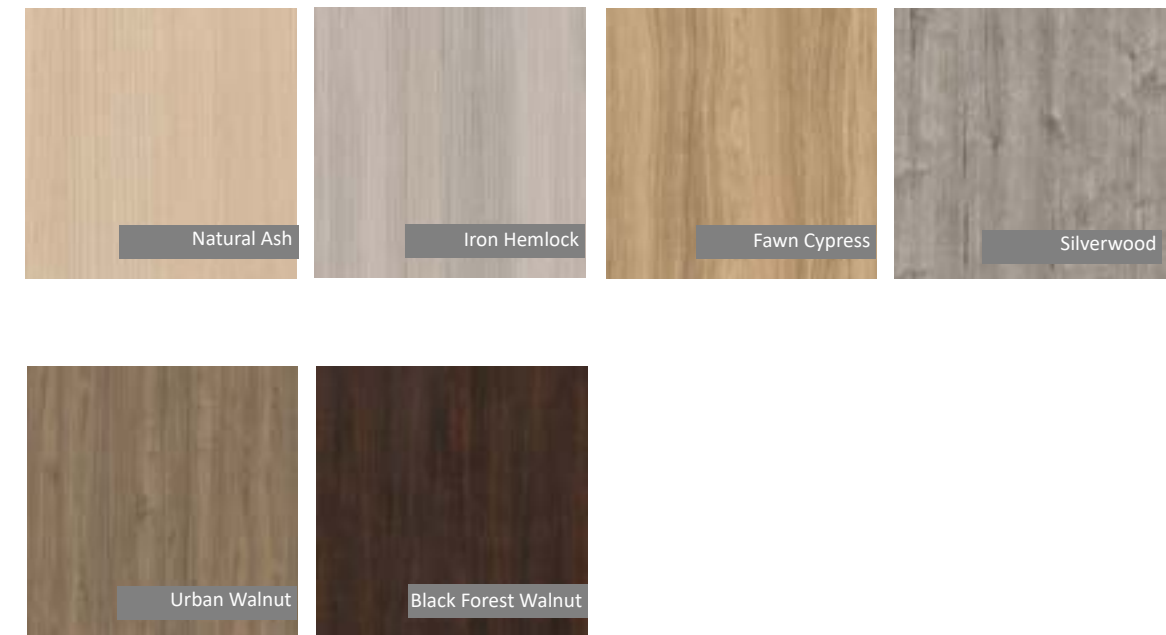
# laminates finishes

## standard thermofuse laminate (TFL)



Matching 2MM PVC edgebanding is available for all Standard TFL finishes shown here.  
For HPL match information please visit [deskmakers.com/resources/materials](https://deskmakers.com/resources/materials)

## premium thermofuse laminate (TFL)



Premium TFLs require a 10% upcharge. Add item code OP-TTFL-1.  
Matching 2MM PVC edgebanding is available for all Premium TFL finishes shown here.  
For HPL match information please visit [deskmakers.com/resources/materials](https://deskmakers.com/resources/materials)

# laminates finishes

## high pressure laminate (HPL)

Pricing shown in this price list applies only to non-premium HPLs as follows:

- Wilsonart: Solids, Woodgrains, and Abstracts in Matte (-60) finish,
- Formica: Color Portfolio, Woodgrains, and Patterns in Matte (-58) finish
- Pionite: Solids, Woodgrains, and Abstracts in Suede (N) finish
- Arborite: Solids, Woodgrains, Textures and Abstracts in Matte (CA) finish
- Nevamar: Solids, Woodgrains, Stones and Abstracts in ARP (-T) finish

A minimum charge of \$520 net per HPL color will be applied to each order.

Call customer service for pricing for all other HPLs.

Additional lead times required for HPL orders depending on material availability and order complexity.

### high pressure laminate (HPL) pricing chart

Most DeskMakers product is made of Thermofuse laminate (TFL). As such, there is an upcharge for ordering product in high pressure laminate (HPL). This upcharge varies based on the product and the size of the HPL order.

Please note that only the portion of the order in HPL will be calculated to determine the level of HPL upcharges.

HPL is always available with DeskMakers standard 2MM edgebanding. Special order matching PVC 2MM edgebanding may be available for orders \$25,000 List or larger, call customer service for pricing.

Product Category	Option Code	HPL UPCHARGE
<b>WORKSURFACES</b> All Shapes <i>Top surface HPL</i>	OP-HPL1-25-??	60%
<b>CASEGOODS</b> Top HPL only, balance TFL	OP-HPL1-1-??	25%
<b>CASEGOODS</b> Entire Unit HPL	OP-HPL1-4-??	120%
<b>CASEGOODS</b> HPL Drawer Fronts only	OP-HPL1-2-??	20%
<b>CASEGOODS</b> Top HPL and HPL Drawer Fronts	OP-HPL1-3-??	30%

# pulls

## standard pulls

Pulls are included on all drawers and cabinet doors for no upcharge.



101SN



101BL



105SN



115SN



115BL



201SN



125SN\*



125BL\*



201BL

\*The 125SN/BL pull is 7.5" long. On lateral file drawers and larger cabinet doors a longer 12.5" pull in the same style will be used. This may be identified as a "127SN/BL" pull on your acknowledgment.

# meeting

## table of contents

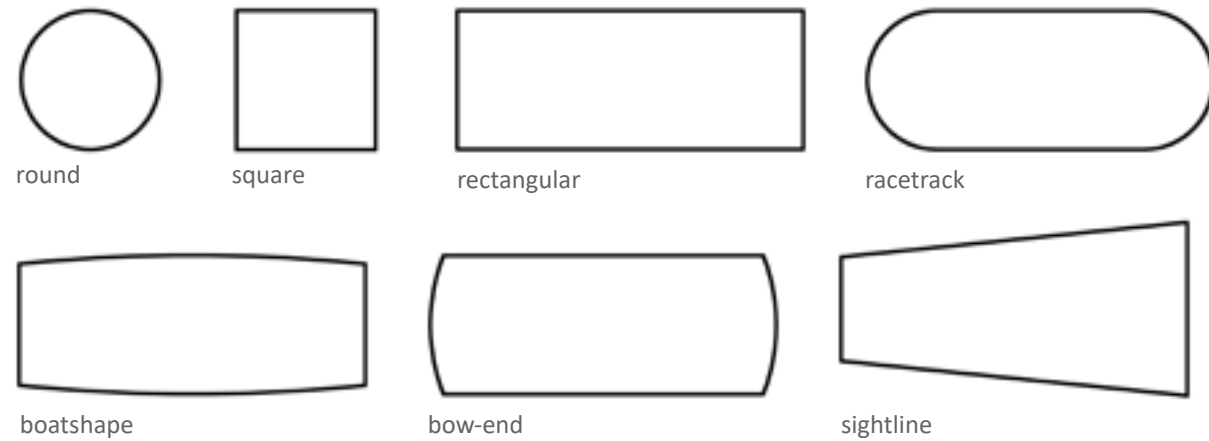


<b>Meeting Table Tops</b>	10-31
<b>Malibu</b>	32-43
<b>Torrance</b>	44-47
<b>Imperial</b>	48-51
<b>Komo</b>	52-59
<b>Hermosa</b>	60-61
<b>Ribbon</b>	62-65
<b>Surfside</b>	66-71
<b>Sunset</b>	72-75
<b>Beacon</b>	76-79
<b>Mission</b>	80-83
<b>Newport</b>	84-85
<b>Cabrillo</b>	86-87
<b>Venice</b>	88-101
<b>Torrey</b>	102-105

# meeting table tops



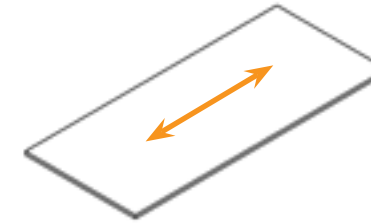
## meeting and conference tables



## finishes

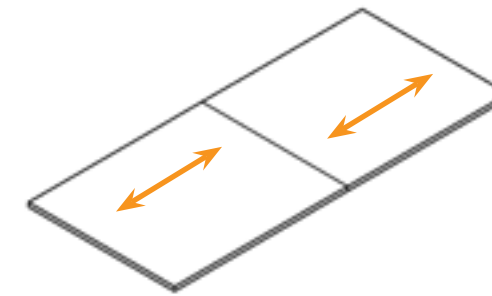
- 1-1/8" & 1-7/8" thick thermally fused laminate (TFL) with multiple edge options
- 1-1/8" & 1-7/8" thick high pressure laminate (HPL) with multiple edge options
- 1" thick HPL with exposed plywood core
- 1-1/8" thick HPL with MDF core and PVC knife edge

## one piece tops



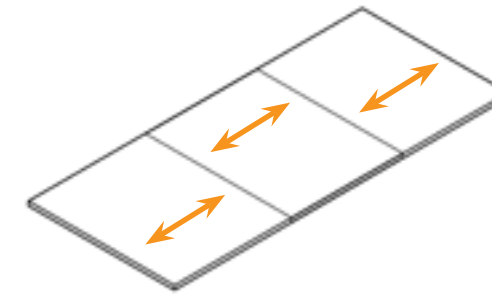
**top shapes:**  
round, square, rectangular, racetrack, boatshape, bow-end and sightline  
**grain direction:**  
grain direction runs length of the table  
**dimensions:**  
depths: 36", 42" and 48"  
lengths: 72", 84", 96" and 120"

## two piece tops



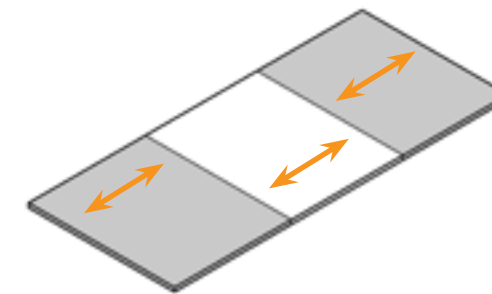
**top shapes:**  
rectangular, racetrack, boatshape, bow-end and sightline  
**grain direction:**  
grain direction runs length of the table  
grain pattern will not line up at the seam  
**construction:**  
table tops are divided into two equal sections  
assembled with tite-joint fasteners and alignment biscuits  
**dimensions:**  
depths: 48", 54" and 60"  
lengths: 120", 144", 168", 192", 216" and 240"

## three piece tops



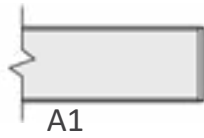
**top shapes:**  
rectangular, racetrack, boatshape, bow-end and sightline  
**grain direction:**  
grain direction runs length of the table  
grain pattern will not line up at the seam  
**construction:**  
table tops are divided into two equal sections  
assembled with tite-joint fasteners and alignment biscuits  
**dimensions:**  
depths: 48", 54" and 60"  
lengths: 216" and 240"

## multifinish tops

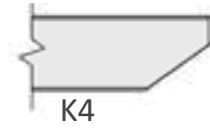


**top shapes:**  
rectangular, racetrack, boatshape, bow-end and sightline  
**grain direction:**  
grain direction runs length of the table  
grain pattern will not line up at the seam  
**construction:**  
table tops are divided into two equal sections  
assembled with tite-joint fasteners and alignment biscuits  
**dimensions:**  
depths: 48", 54" and 60"  
lengths: 120", 144", 168", 192", 216" and 240"

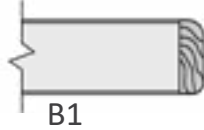
# edges



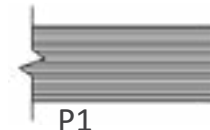
**group a**  
1-1/8" thick top  
2mm PVC edge



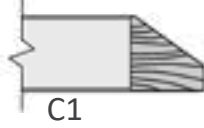
**group k**  
1-1/8" thick MDF top  
2mm PVC Knife edge



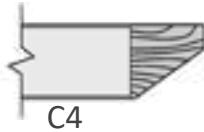
**group b**  
1-1/8" thick top  
3/8" solid wood edge



**group p**  
1" thick top  
exposed plywood edge



**group c**  
1-1/8" thick top  
1-1/8" solid wood edge



C4

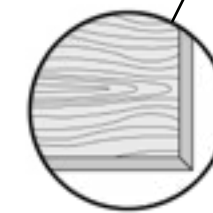
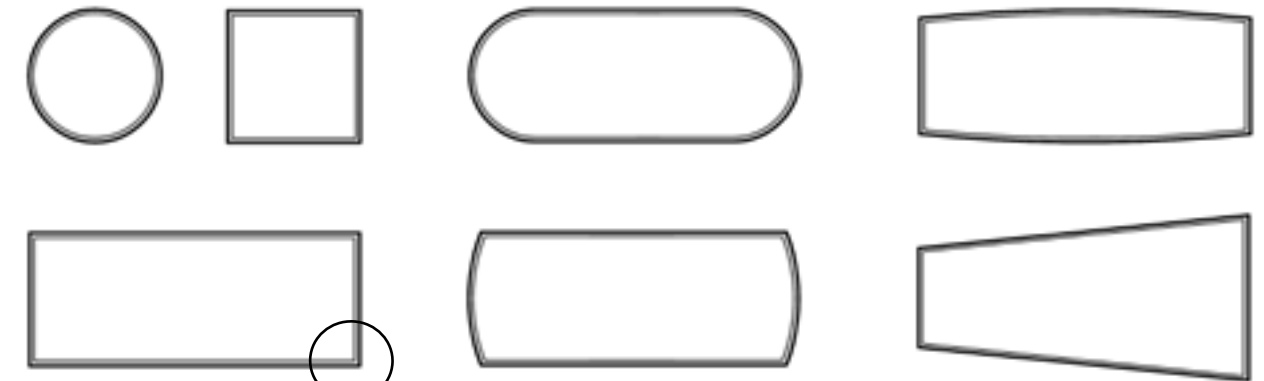


E1

**group e**  
1-7/8" thick top  
2mm PVC edge

## user edges both with and without solid wood edges

Shading indicates user edges. Wood edges add to the dimensions of the table top.

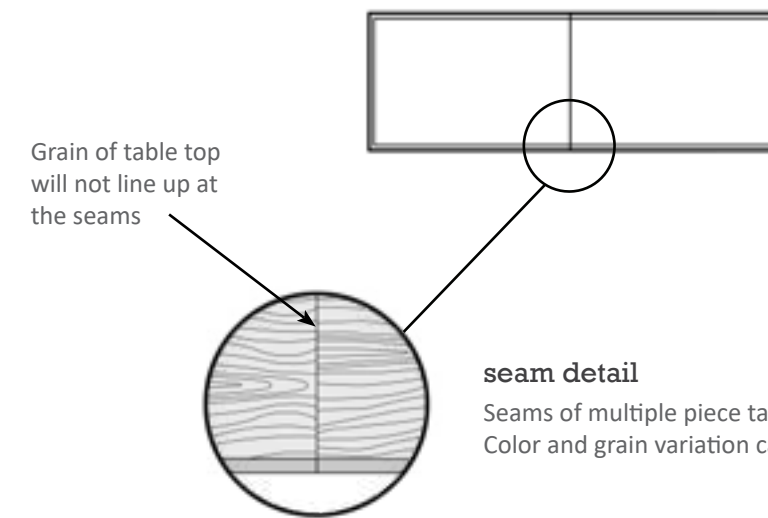


### corner detail

A frame will be visible on the surface of the table top when solid wood edges are specified. Color will be matched to table top finish, however slight differences in shade and grain may be evident.

Solid wood edges are not available in white, black or solid grey.

## seams of multiple piece table tops



Grain of table top will not line up at the seams

### seam detail

Seams of multiple piece table tops will have multiple pieces of wood edges. Color and grain variation can occur from piece to piece.

# power grommets

Power grommet and location applicability depends on the table size and the base specified. See the Conference Table Grommet Guide for information.

## AC-DPGR-72

- (2) power outlets
- (2) 2.1A USB charging ports
- (1) convenience outlet on bottom
- (1) cutout for interface plate (not included)
- (2) RJ-45 keystone knock outs (jacks not included)
- (2) Cord Pass Throughs
- 144" long 15amp plug cord
- Finishes: Black, Silver, White and Brushed Aluminum



## AC-DPGR-77\*\*

- (3) power outlets
- (1) convenience outlet on bottom
- (1) cutout for interface plate (not included)
- (2) 2.1A USB charging ports
- (2) RJ-45 keystone knock outs (jacks not included)
- 108" long 15amp plug cord
- Finishes: Black, Silver, White and Brushed Aluminum

\*\*CANNOT be placed inside 18" cylinder/rectangular bases



## AC-DPGR-74\*

- (6) power outlets
- (2) 2.1A USB charging ports
- (1) cutout for interface plate (not included)
- (2) 108" long 15amp plug cords
- Finishes: Black, Silver and Brushed Aluminum

\*CANNOT be placed inside 18" cylinder bases



## AC-DPGR-78

- (3) power outlets
- (2) 2.1A USB charging ports
- (2) 45W USB C charging ports
- (1) RJ-45 keystone jack
- (1) HDMI port
- (1) open data port
- (2) 120" long 15amp plug cords
- Finishes: Silver and White



Please see the electrical pricebook for additional information and pricing



round table top  
TFL edge options



TFL			
1-1/8" Thick Standard TFL	1-1/8" Thick Standard TFL	1-1/8" Thick Standard TFL	1-7/8" Thick Standard TFL
2mm PVC	3/8" Wood	1-1/8" Wood	2mm PVC
Model Number	Depth	Length	
T1-A1	T1-B1	T1-C?	T1-E1
CF-CTRD-3030-??-??	30	30	\$578
CF-CTRD-3636-??-??	36	36	\$585
CF-CTRD-4242-??-??	42	42	\$734
CF-CTRD-4848-??-??	48	48	\$890
CF-CTRD-5454-??-??	54	54	\$1,061
CF-CTRD-6060-??-??	60	60	\$1,115

- For premium TFL, change "T1" to "T2" and add 10%.
- TFL tops with 2mm PVC edges are only available with DeskMakers standard 2MM PVC edgebanding.
- Wood edge will add to the dimensions of top.
- Please see Cleaning and Care Guide for maintenance information.

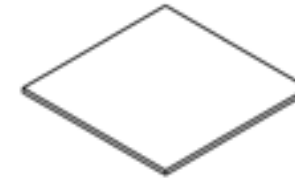
round table top  
HPL edge options



HPL					
1-1/8" Thick Standard HPL	1-1/8" Thick Standard HPL	1-1/8" Thick Standard HPL	1-7/8" Thick Standard HPL	1-1/8" Thick MDF Core	1" Thick Plywood Core
2mm PVC	3/8" Wood	1-1/8" Wood	2mm PVC	2mm PVC Knife	Plywood
Model Number	Depth	Length			
H1-A1	H1-B1	H1-C?	H1-E1	H1-K4	H1-P4
CF-CTRD-3030-??-??	30	30	\$909	\$1,635	\$2,011
CF-CTRD-3636-??-??	36	36	\$925	\$1,635	\$2,151
CF-CTRD-4242-??-??	42	42	\$1,158	\$1,875	\$2,392
CF-CTRD-4848-??-??	48	48	\$1,406	\$2,220	\$2,692
CF-CTRD-5454-??-??	54	54	\$1,675	\$2,574	\$3,360
CF-CTRD-6060-??-??	60	60	\$1,762	\$2,730	\$3,603

- HPL tops with 2mm PVC edges are only available with DeskMakers standard 2MM PVC edgebanding.
- Wood edge will add to the dimensions of top.
- Please see Cleaning and Care Guide for maintenance information.

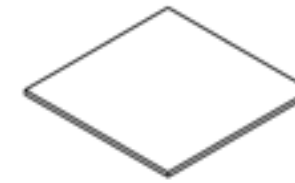
square table top  
TFL edge options



TFL			
1-1/8" Thick Standard TFL	1-1/8" Thick Standard TFL	1-1/8" Thick Standard TFL	1-7/8" Thick Standard TFL
2mm PVC	3/8" Wood	1-1/8" Wood	2mm PVC
Model Number	Depth	Length	
T1-A1	T1-B1	T1-C?	T1-E1
CF-CTSQ-3030-??-??	30	30	\$507
CF-CTSQ-3636-??-??	36	36	\$527
CF-CTSQ-4242-??-??	42	42	\$676
CF-CTSQ-4848-??-??	48	48	\$833
CF-CTSQ-5454-??-??	54	54	\$991

- For premium TFL, change "T1" to "T2" and add 10%.
- TFL tops with 2mm PVC edges are only available with DeskMakers standard 2MM PVC edgebanding.
- Wood edge will add to the dimensions of top.
- For rounded corners with a 4" radius use OP-EDGE-RND for an additional \$178 per top.
- Please see Cleaning and Care Guide for maintenance information.

square table top  
HPL edge options

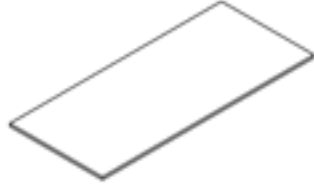


HPL					
1-1/8" Thick Standard HPL	1-1/8" Thick Standard HPL	1-1/8" Thick Standard HPL	1-7/8" Thick Standard HPL	1-1/8" Thick MDF Core	1" Thick Plywood Core
2mm PVC	3/8" Wood	1-1/8" Wood	2mm PVC	2mm PVC Knife	Plywood
Model Number	Depth	Length			
H1-A1	H1-B1	H1-C?	H1-E1	H1-K4	H1-P4
CF-CTSQ-3030-??-??	30	30	\$801	\$1,312	\$1,678
CF-CTSQ-3636-??-??	36	36	\$833	\$1,500	\$1,730
CF-CTSQ-4242-??-??	42	42	\$1,068	\$1,633	\$1,968
CF-CTSQ-4848-??-??	48	48	\$1,317	\$1,936	\$2,316
CF-CTSQ-5454-??-??	54	54	\$1,566	\$2,383	\$2,486

- HPL tops with 2mm PVC edges are only available with DeskMakers standard 2MM PVC edgebanding.
- Wood edge will add to the dimensions of top.
- For rounded corners with a 4" radius use OP-EDGE-RND for an additional \$178 per top.
- Please see Cleaning and Care Guide for maintenance information.

rectangular table top

TFL edge options

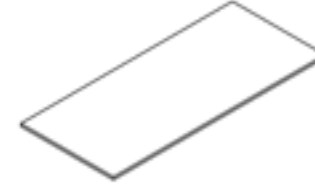


TFL						
		1-1/8" Thick Standard TFL	1-1/8" Thick Standard TFL	1-1/8" Thick Standard TFL	1-7/8" Thick Standard TFL	
		2mm PVC	3/8" Wood	1-1/8" Wood	2mm PVC	
Model Number	Depth	Length	T1-A1	T1-B1	T1-C?	T1-E1
<b>one piece top</b>						
CF-REC1-3672-??-??	36	72	\$807	\$1,509	\$1,574	\$937
CF-REC1-4284-??-??	42	84	\$833	\$1,635	\$1,712	\$966
CF-REC1-4884-??-??	48	84	\$847	\$1,677	\$1,759	\$1,042
CF-REC1-4296-??-??	42	96	\$925	\$1,720	\$1,990	\$1,096
CF-REC1-4896-??-??	48	96	\$1,023	\$1,812	\$2,087	\$1,222
CF-REC1-4820-??-??	48	120	N/A	N/A	N/A	N/A
<b>two piece top</b>						
CF-REC2-4820-??-??	48	120	\$1,759	\$2,849	\$2,953	\$2,041
CF-REC2-4844-??-??	48	144	\$2,052	\$3,046	\$3,445	\$2,391
CF-REC2-4868-??-??	48	168	\$2,458	\$3,652	\$4,131	\$2,867
CF-REC2-4892-??-??	48	192	\$2,880	\$4,274	\$4,830	\$3,350
CF-REC2-4816-??-??	48	216	N/A	N/A	N/A	N/A
CF-REC2-4840-??-??	48	240	N/A	N/A	N/A	N/A
CF-REC2-5444-??-??	54	144	\$2,298	\$3,413	\$3,861	\$2,679
CF-REC2-5468-??-??	54	168	\$2,690	\$3,992	\$4,515	\$3,130
CF-REC2-5492-??-??	54	192	\$3,149	\$4,673	\$5,283	\$3,665
CF-REC2-5416-??-??	54	216	N/A	N/A	N/A	N/A
CF-REC2-5440-??-??	54	240	N/A	N/A	N/A	N/A
CF-REC2-6044-??-??	60	144	\$2,530	\$3,754	\$4,246	\$2,944
CF-REC2-6068-??-??	60	168	\$2,959	\$4,392	\$4,967	\$3,445
CF-REC2-6092-??-??	60	192	\$3,462	\$5,138	\$5,811	\$4,030
CF-REC2-6016-??-??	60	216	N/A	N/A	N/A	N/A
CF-REC2-6040-??-??	60	240	N/A	N/A	N/A	N/A
<b>three piece top</b>						
CF-REC3-4816-??-??	48	216	\$3,575	\$5,232	\$5,884	\$4,138
CF-REC3-4840-??-??	48	240	\$4,087	\$5,983	\$6,741	\$4,731
CF-REC3-5416-??-??	54	216	\$3,951	\$5,789	\$6,519	\$4,578
CF-REC3-5440-??-??	54	240	\$4,521	\$6,627	\$7,469	\$5,236
CF-REC3-6016-??-??	60	216	\$4,330	\$6,345	\$7,153	\$5,016
CF-REC3-6040-??-??	60	240	\$4,956	\$7,271	\$8,199	\$5,740

- For premium TFL, change "T1" to "T2" and add 10%.
- TFL tops with 2mm PVC edges are only available with DeskMakers standard 2MM PVC edgebanding.
- Wood edge will add to the dimensions of top.
- 120" one piece conference table tops not available in all TFL finishes, see pages 4-5 for availability.
- For two piece and three piece table tops, please note that the grain pattern will not line up at the seams.
- Two piece table tops are divided into two equal sections.
- Three piece table tops are divided into three equal sections.
- Tables with sections larger than 96" are available in Southern California and/or will call only.
- For rounded corners with a 4" radius use OP-EDGE-RND for an additional \$178 per top.
- Please see Cleaning and Care Guide for maintenance information.

rectangular table top

HPL edge options

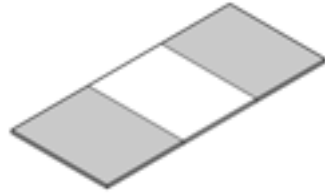


HPL								
		1-1/8" Thick Standard HPL	1-1/8" Thick Standard HPL	1-1/8" Thick Standard HPL	1-7/8" Thick Standard HPL	1-1/8" Thick MDF Core	1" Thick Plywood Core	
		2mm PVC	3/8" Wood	1-1/8" Wood	2mm PVC	2mm PVC Knife	Plywood	
Model Number	Depth	Length	H1-A1	H1-B1	H1-C?	H1-E1	H1-K4	H1-P1
<b>one piece top</b>								
CF-REC1-3672-??-??	36	72	\$1,406	\$2,383	\$2,486	\$1,480	\$1,884	\$2,262
CF-REC1-4284-??-??	42	84	\$1,417	\$2,583	\$2,704	\$1,527	\$1,921	\$2,306
CF-REC1-4884-??-??	48	84	\$1,444	\$2,649	\$2,780	\$1,647	\$1,933	\$2,420
CF-REC1-4296-??-??	42	96	\$1,463	\$2,717	\$3,144	\$1,730	\$1,947	\$2,334
CF-REC1-4896-??-??	48	96	\$1,615	\$2,861	\$3,297	\$1,930	\$2,165	\$2,597
CF-REC1-4820-??-??	48	120	\$2,220	\$3,772	\$4,276	\$2,546	\$2,972	\$3,568
<b>two piece top</b>								
CF-REC2-4820-??-??	48	120	\$2,964	\$4,501	\$4,663	\$3,222	\$3,164	\$3,797
CF-REC2-4844-??-??	48	144	\$3,241	\$4,811	\$5,439	\$3,777	\$3,576	\$4,749
CF-REC2-4868-??-??	48	168	\$3,881	\$5,767	\$6,523	\$4,525	\$3,947	\$4,832
CF-REC2-4892-??-??	48	192	\$4,548	\$6,748	\$7,627	\$5,290	\$3,997	\$4,925
CF-REC2-4816-??-??	48	216	\$5,465	\$8,116	\$9,175	\$6,364	\$4,786	\$6,987
CF-REC2-4840-??-??	48	240	\$6,266	\$9,299	\$10,508	\$7,289	\$4,837	\$7,079
CF-REC2-5444-??-??	54	144	\$3,628	\$5,389	\$6,097	\$4,229	\$4,862	\$5,833
CF-REC2-5468-??-??	54	168	\$4,247	\$6,304	\$7,128	\$4,943	\$5,691	\$6,830
CF-REC2-5492-??-??	54	192	\$4,971	\$7,378	\$8,342	\$5,787	\$6,661	\$7,993
CF-REC2-5416-??-??	54	216	\$5,962	\$8,854	\$10,011	\$6,942	\$7,987	\$9,585
CF-REC2-5440-??-??	54	240	\$6,861	\$10,178	\$11,510	\$7,982	\$9,193	\$11,031
CF-REC2-6044-??-??	60	144	\$3,993	\$5,928	\$6,705	\$4,648	\$5,352	\$6,423
CF-REC2-6068-??-??	60	168	\$4,673	\$6,936	\$7,842	\$5,439	\$6,260	\$7,512
CF-REC2-6092-??-??	60	192	\$5,469	\$8,114	\$9,176	\$6,364	\$7,325	\$8,791
CF-REC2-6016-??-??	60	216	\$6,558	\$9,736	\$11,012	\$7,640	\$8,789	\$10,547
CF-REC2-6040-??-??	60	240	\$7,544	\$11,198	\$12,661	\$8,783	\$10,109	\$12,131
<b>three piece top</b>								
CF-REC3-4816-??-??	48	216	\$5,645	\$8,260	\$9,291	\$6,535	\$5,831	\$7,056
CF-REC3-4840-??-??	48	240	\$6,453	\$9,447	\$10,642	\$7,469	\$5,880	\$7,148
CF-REC3-5416-??-??	54	216	\$6,240	\$9,141	\$10,293	\$7,228	\$8,360	\$10,034
CF-REC3-5440-??-??	54	240	\$7,139	\$10,464	\$11,793	\$8,268	\$9,563	\$11,476
CF-REC3-6016-??-??	60	216	\$6,836	\$10,020	\$11,295	\$7,919	\$9,159	\$10,991
CF-REC3-6040-??-??	60	240	\$7,824	\$11,479	\$12,947	\$9,064	\$10,482	\$12,580

- HPL tops with 2mm PVC edges are only available with DeskMakers standard 2MM PVC edgebanding.
- Wood edge will add to the dimensions of top.
- For two piece and three piece table tops, please note that the grain pattern will not line up at the seams.
- Two piece table tops are divided into two equal sections.
- Three piece table tops are divided into three equal sections.
- Tables with sections larger than 96" are available in Southern California and/or will call only.
- For rounded corners with a 4" radius use OP-EDGE-RND for an additional \$178 per top.
- Please see Cleaning and Care Guide for maintenance information.

multi-finish rectangular table top

TFL edge options



TFL			
1-1/8" Thick Standard TFL	1-1/8" Thick Standard TFL	1-1/8" Thick Standard TFL	1-7/8" Thick Standard TFL
2mm PVC	3/8" Wood	1-1/8" Wood	2mm PVC
Model Number	Depth	Length	
T1-A1	T1-B1	T1-C?	T1-E1
<b>three piece top</b>			
CF-RECM-4820-??	48	120	\$3,015
CF-RECM-4844-??	48	144	\$3,308
CF-RECM-4868-??	48	168	\$3,713
CF-RECM-4892-??	48	192	\$4,135
CF-RECM-4816-??	48	216	\$4,717
CF-RECM-4840-??	48	240	\$5,224
CF-RECM-5444-??	54	144	\$3,552
CF-RECM-5468-??	54	168	\$3,946
CF-RECM-5492-??	54	192	\$4,404
CF-RECM-5416-??	54	216	\$5,029
CF-RECM-5440-??	54	240	\$5,600
CF-RECM-6044-??	60	144	\$3,785
CF-RECM-6068-??	60	168	\$4,214
CF-RECM-6092-??	60	192	\$4,718
CF-RECM-6016-??	60	216	\$5,409
CF-RECM-6040-??	60	240	\$6,033

- For premium TFL, change "T1" to "T2" and add 10%.
- Wood edge will add to the dimensions of top.
- On three piece table tops, please note that the grain pattern will not line up perfectly at the seams.
- Three piece table tops are divided into three equal sections.
- Specify end finish and middle finish on P.O.
- Prices apply to TFL finishes only. For mixing HPL and TFL finishes, contact customer service for pricing.
- For rounded corners with a 4" radius use OP-EDGE-RND for an additional \$178 per top.
- Please see Cleaning and Care Guide for maintenance information.

racetrack table top

TFL edge options



TFL			
1-1/8" Thick Standard TFL	1-1/8" Thick Standard TFL	1-1/8" Thick Standard TFL	1-7/8" Thick Standard TFL
2mm PVC	3/8" Wood	1-1/8" Wood	2mm PVC
Model Number	Depth	Length	
T1-A1	T1-B1	T1-C?	T1-E1
<b>one piece top</b>			
CF-RTR1-3672-??-??	36	72	\$839
CF-RTR1-4284-??-??	42	84	\$901
CF-RTR1-4884-??-??	48	84	\$993
CF-RTR1-4296-??-??	42	96	\$1,076
CF-RTR1-4896-??-??	48	96	\$1,171
CF-RTR1-4820-??-??	48	120	N/A
<b>two piece top</b>			
CF-RTR2-4820-??-??	48	120	\$1,794
CF-RTR2-4844-??-??	48	144	\$2,228
CF-RTR2-4868-??-??	48	168	\$2,630
CF-RTR2-4892-??-??	48	192	\$3,071
CF-RTR2-4816-??-??	48	216	N/A
CF-RTR2-4840-??-??	48	240	N/A
CF-RTR2-5444-??-??	54	144	\$2,498
CF-RTR2-5468-??-??	54	168	\$2,921
CF-RTR2-5492-??-??	54	192	\$3,416
CF-RTR2-5416-??-??	54	216	N/A
CF-RTR2-5440-??-??	54	240	N/A
CF-RTR2-6044-??-??	60	144	\$2,744
CF-RTR2-6068-??-??	60	168	\$3,211
CF-RTR2-6092-??-??	60	192	\$3,759
CF-RTR2-6016-??-??	60	216	N/A
CF-RTR2-6040-??-??	60	240	N/A
<b>three piece top</b>			
CF-RTR3-4816-??-??	48	216	\$3,867
CF-RTR3-4840-??-??	48	240	\$4,417
CF-RTR3-5416-??-??	54	216	\$4,275
CF-RTR3-5440-??-??	54	240	\$4,890
CF-RTR3-6016-??-??	60	216	\$4,684
CF-RTR3-6040-??-??	60	240	\$5,362

- For premium TFL, change "T1" to "T2" and add 10%.
- TFL tops with 2mm PVC edges are only available with DeskMakers standard 2MM PVC edgebanding.
- Wood edge will add to the dimensions of top.
- 120" one piece conference table tops not available in all TFL finishes, see pages 4-5 for availability.
- For two piece and three piece table tops, please note that the grain pattern will not line up at the seams.
- Two piece table tops are divided into two equal sections.
- Three piece table tops are divided into three equal sections.
- Tables with sections larger than 96" are available in Southern California and/or will call only.
- Please see Cleaning and Care Guide for maintenance information.

racetrack table top

HPL edge options



		HPL						
		1-1/8" Thick Standard HPL	1-1/8" Thick Standard HPL	1-1/8" Thick Standard HPL	1-7/8" Thick Standard HPL	1-1/8" Thick MDF Core	1" Thick Plywood Core	
		2mm PVC	3/8" Wood	1-1/8" Wood	2mm PVC	2mm PVC Knife	Plywood	
Model Number	Depth	Length	H1-A1	H1-B1	H1-C?	H1-E1	H1-K4	H1-P1
<b>one piece top</b>								
CF-RTR1-3672-??-??	36	72	\$1,431	\$2,574	\$3,360	\$1,587	\$1,776	\$2,133
CF-RTR1-4284-??-??	42	84	\$1,444	\$2,807	\$3,723	\$1,649	\$1,905	\$2,285
CF-RTR1-4884-??-??	48	84	\$1,567	\$2,886	\$3,824	\$1,853	\$1,962	\$2,420
CF-RTR1-4296-??-??	42	96	\$1,701	\$3,019	\$3,964	\$1,931	\$2,279	\$2,734
CF-RTR1-4896-??-??	48	96	\$1,848	\$3,171	\$4,087	\$2,133	\$2,475	\$2,970
CF-RTR1-4820-??-??	48	120	\$2,449	\$4,084	\$4,862	\$2,781	\$3,284	\$3,941
<b>two piece top</b>								
CF-RTR2-4820-??-??	48	120	\$3,001	\$4,802	\$6,022	\$3,287	\$3,471	\$4,164
CF-RTR2-4844-??-??	48	144	\$3,517	\$5,111	\$6,506	\$4,060	\$3,792	\$4,734
CF-RTR2-4868-??-??	48	168	\$4,155	\$6,009	\$7,105	\$4,785	\$3,993	\$4,832
CF-RTR2-4892-??-??	48	192	\$4,849	\$7,031	\$7,899	\$5,598	\$4,049	\$4,925
CF-RTR2-4816-??-??	48	216	\$5,830	\$8,431	\$9,473	\$6,719	\$4,843	\$6,987
CF-RTR2-4840-??-??	48	240	\$6,698	\$9,703	\$10,900	\$7,727	\$4,900	\$7,079
CF-RTR2-5444-??-??	54	144	\$3,944	\$5,708	\$6,407	\$4,544	\$5,284	\$6,341
CF-RTR2-5468-??-??	54	168	\$4,611	\$6,676	\$7,501	\$5,315	\$6,180	\$7,417
CF-RTR2-5492-??-??	54	192	\$5,393	\$7,809	\$8,777	\$6,221	\$7,226	\$8,671
CF-RTR2-5416-??-??	54	216	\$6,475	\$9,371	\$10,528	\$7,464	\$8,675	\$10,412
CF-RTR2-5440-??-??	54	240	\$7,443	\$10,780	\$12,109	\$8,585	\$9,975	\$11,970
CF-RTR2-6044-??-??	60	144	\$4,333	\$6,275	\$7,053	\$4,995	\$5,805	\$6,967
CF-RTR2-6068-??-??	60	168	\$5,071	\$7,343	\$8,248	\$5,847	\$6,795	\$8,153
CF-RTR2-6092-??-??	60	192	\$5,936	\$8,591	\$9,654	\$6,844	\$7,953	\$9,545
CF-RTR2-6016-??-??	60	216	\$7,119	\$10,310	\$11,582	\$8,211	\$9,540	\$11,449
CF-RTR2-6040-??-??	60	240	\$8,188	\$11,856	\$13,322	\$9,437	\$10,974	\$13,168
<b>three piece top</b>								
CF-RTR3-4816-??-??	48	216	\$6,106	\$8,715	\$9,751	\$6,997	\$5,888	\$7,056
CF-RTR3-4840-??-??	48	240	\$6,976	\$9,986	\$11,180	\$8,004	\$5,945	\$7,148
CF-RTR3-5416-??-??	54	216	\$6,750	\$9,656	\$10,810	\$7,746	\$9,046	\$10,856
CF-RTR3-5440-??-??	54	240	\$7,721	\$11,065	\$12,392	\$8,864	\$10,346	\$12,415
CF-RTR3-6016-??-??	60	216	\$7,397	\$10,594	\$11,865	\$8,494	\$9,911	\$11,894
CF-RTR3-6040-??-??	60	240	\$8,466	\$12,142	\$13,605	\$9,725	\$11,344	\$13,614

- HPL tops with 2mm PVC edges are only available with DeskMakers standard 2MM PVC edgbanding.
- Wood edge will add to the dimensions of top.
- For two piece and three piece table tops, please note that the grain pattern will not line up at the seams.
- Two piece table tops are divided into two equal sections.
- Three piece table tops are divided into three equal sections.
- Tables with sections larger than 96" are available in Southern California and/or will call only.
- Please see Cleaning and Care Guide for maintenance information.

multi-finish racetrack table top

TFL edge options

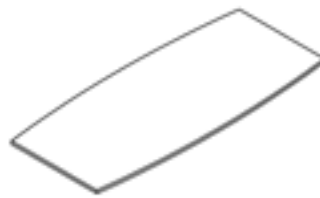


		TFL				
		1-1/8" Thick Standard TFL	1-1/8" Thick Standard TFL	1-1/8" Thick Standard TFL	1-7/8" Thick Standard TFL	
		2mm PVC	3/8" Wood	1-1/8" Wood	2mm PVC	
Model Number	Depth	Length	T1-A1	T1-B1	T1-C?	T1-E1
<b>three piece top</b>						
CF-RTRM-4820-??	48	120	\$3,050	\$4,319	\$5,092	\$3,337
CF-RTRM-4844-??	48	144	\$3,483	\$4,788	\$5,398	\$3,777
CF-RTRM-4868-??	48	168	\$3,886	\$5,084	\$5,778	\$4,286
CF-RTRM-4892-??	48	192	\$4,327	\$5,731	\$6,280	\$4,800
CF-RTRM-4816-??	48	216	\$4,947	\$6,617	\$7,278	\$5,511
CF-RTRM-4840-??	48	240	\$5,497	\$7,424	\$8,181	\$6,150
CF-RTRM-5444-??	54	144	\$3,753	\$4,893	\$5,640	\$4,078
CF-RTRM-5468-??	54	168	\$4,176	\$5,508	\$6,030	\$4,557
CF-RTRM-5492-??	54	192	\$4,670	\$6,226	\$6,836	\$5,122
CF-RTRM-5416-??	54	216	\$5,356	\$7,214	\$7,946	\$5,893
CF-RTRM-5440-??	54	240	\$5,969	\$8,105	\$8,949	\$6,590
CF-RTRM-6044-??	60	144	\$3,999	\$5,253	\$5,746	\$4,360
CF-RTRM-6068-??	60	168	\$4,466	\$5,928	\$6,504	\$4,888
CF-RTRM-6092-??	60	192	\$4,964	\$6,719	\$7,392	\$5,511
CF-RTRM-6016-??	60	216	\$5,764	\$7,824	\$8,614	\$6,358
CF-RTRM-6040-??	60	240	\$6,441	\$8,788	\$9,716	\$7,121

- Wood edge will add to the dimensions of top.
- For premium TFL, change "T1" to "T2" and add 10%.
- On three piece table tops, please note that the grain pattern will not line up perfectly at the seams.
- Three piece table tops are divided into three equal sections.
- Specify end finish and middle finish on P.O.
- Prices apply to TFL finishes only. For mixing HPL and TFL finishes, contact customer service for pricing.
- Please see Cleaning and Care Guide for maintenance information.

boatshaped table top

TFL edge options



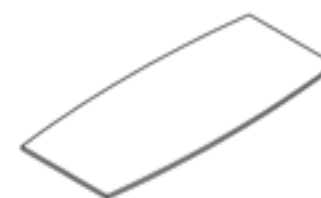
TFL			
1-1/8" Thick Standard TFL	1-1/8" Thick Standard TFL	1-1/8" Thick Standard TFL	1-7/8" Thick Standard TFL
2mm PVC	3/8" Wood	1-1/8" Wood	2mm PVC

Model Number	Depth	Length	T1-A1	T1-B1	T1-C?	T1-E1
<b>one piece top</b>						
CF-BOT1-3672-??-??	30-36	72	\$839	\$1,630	\$2,327	\$987
CF-BOT1-4284-??-??	36-42	84	\$953	\$1,778	\$2,557	\$1,026
CF-BOT1-4884-??-??	42-48	84	\$1,048	\$1,828	\$2,373	\$1,152
CF-BOT1-4296-??-??	36-42	96	\$1,076	\$1,911	\$2,709	\$1,201
CF-BOT1-4896-??-??	42-48	96	\$1,171	\$2,009	\$2,785	\$1,328
CF-BOT1-4820-??-??	42-48	120	N/A	N/A	N/A	N/A
<b>two piece top</b>						
CF-BOT2-4820-??-??	42-48	120	\$1,794	\$3,041	\$3,813	\$2,082
CF-BOT2-4844-??-??	42-48	144	\$2,228	\$3,236	\$4,121	\$2,571
CF-BOT2-4868-??-??	42-48	168	\$2,630	\$3,805	\$4,547	\$3,030
CF-BOT2-4892-??-??	42-48	192	\$3,071	\$4,452	\$5,271	\$3,544
CF-BOT2-4816-??-??	42-48	216	N/A	N/A	N/A	N/A
CF-BOT2-4840-??-??	42-48	240	N/A	N/A	N/A	N/A
CF-BOT2-5444-??-??	44-54	144	\$2,498	\$3,614	\$4,328	\$2,877
CF-BOT2-5468-??-??	44-54	168	\$2,921	\$4,227	\$5,049	\$3,366
CF-BOT2-5492-??-??	44-54	192	\$3,416	\$4,945	\$5,855	\$3,940
CF-BOT2-5416-??-??	44-54	216	N/A	N/A	N/A	N/A
CF-BOT2-5440-??-??	44-54	240	N/A	N/A	N/A	N/A
CF-BOT2-6044-??-??	50-60	144	\$2,744	\$3,975	\$4,760	\$3,163
CF-BOT2-6068-??-??	50-60	168	\$3,211	\$4,651	\$5,551	\$3,703
CF-BOT2-6092-??-??	50-60	192	\$3,759	\$5,440	\$6,442	\$4,334
CF-BOT2-6016-??-??	50-60	216	N/A	N/A	N/A	N/A
CF-BOT2-6040-??-??	50-60	240	N/A	N/A	N/A	N/A
<b>three piece top</b>						
CF-BOT3-4816-??-??	42-48	216	\$3,867	\$5,519	\$6,538	\$4,432
CF-BOT3-4840-??-??	42-48	240	\$4,417	\$6,325	\$7,437	\$5,070
CF-BOT3-5416-??-??	44-54	216	\$4,275	\$6,115	\$7,246	\$4,905
CF-BOT3-5440-??-??	44-54	240	\$4,890	\$7,008	\$8,246	\$5,614
CF-BOT3-6016-??-??	50-60	216	\$4,684	\$6,710	\$7,953	\$5,379
CF-BOT3-6040-??-??	50-60	240	\$5,362	\$7,690	\$9,055	\$6,159

- For premium TFL, change "T1" to "T2" and add 10%.
- TFL tops with 2mm PVC edges are only available with DeskMakers standard 2MM PVC edgebanding.
- Wood edge will add to the dimensions of top.
- 120" one piece conference table tops not available in all TFL finishes, see pages 4-5 for availability.
- For two piece and three piece table tops, please note that the grain pattern will not line up at the seams.
- Two piece table tops are divided into two equal sections.
- Three piece table tops are divided into three equal sections.
- Tables with sections larger than 96" are available in Southern California and/or will call only.
- For rounded corners with a 4" radius use OP-EDGE-RND for an additional \$178 per top.
- Please see Cleaning and Care Guide for maintenance information.

boatshaped table top

HPL edge options



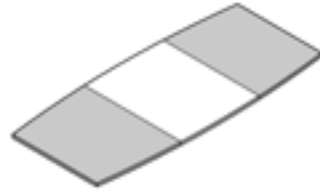
HPL					
1-1/8" Thick Standard HPL	1-1/8" Thick Standard HPL	1-1/8" Thick Standard HPL	1-7/8" Thick Standard HPL	1-1/8" Thick MDF Core	1" Thick Plywood Core
2mm PVC	3/8" Wood	1-1/8" Wood	2mm PVC	2mm PVC Knife	Plywood

Model Number	Depth	Length	H1-A1	H1-B1	H1-C?	H1-E1	H1-K4	H1-P1
<b>one piece top</b>								
CF-BOT1-3672-??-??	30-36	72	\$1,431	\$2,574	\$3,675	\$1,558	\$1,776	\$2,133
CF-BOT1-4284-??-??	36-42	84	\$1,506	\$2,807	\$4,040	\$1,621	\$1,865	\$2,422
CF-BOT1-4884-??-??	42-48	84	\$1,653	\$2,886	\$3,748	\$1,821	\$1,962	\$2,574
CF-BOT1-4296-??-??	36-42	96	\$1,701	\$3,019	\$4,279	\$1,896	\$2,279	\$2,734
CF-BOT1-4896-??-??	42-48	96	\$1,848	\$3,171	\$4,399	\$2,099	\$2,475	\$2,970
CF-BOT1-4820-??-??	42-48	120	\$2,449	\$4,084	\$4,995	\$2,727	\$3,284	\$3,941
<b>two piece top</b>								
CF-BOT2-4820-??-??	42-48	120	\$3,001	\$4,802	\$6,022	\$3,287	\$3,471	\$4,164
CF-BOT2-4844-??-??	42-48	144	\$3,517	\$5,111	\$6,506	\$4,060	\$3,792	\$4,734
CF-BOT2-4868-??-??	42-48	168	\$4,155	\$6,009	\$7,180	\$4,785	\$3,993	\$4,832
CF-BOT2-4892-??-??	42-48	192	\$4,849	\$7,031	\$8,322	\$5,598	\$4,049	\$4,925
CF-BOT2-4816-??-??	42-48	216	\$5,830	\$8,431	\$10,041	\$6,719	\$4,843	\$6,987
CF-BOT2-4840-??-??	42-48	240	\$6,698	\$9,703	\$11,461	\$7,727	\$4,900	\$7,079
CF-BOT2-5444-??-??	44-54	144	\$3,944	\$5,708	\$6,835	\$4,544	\$5,284	\$6,341
CF-BOT2-5468-??-??	44-54	168	\$4,611	\$6,676	\$7,973	\$5,315	\$6,180	\$7,417
CF-BOT2-5492-??-??	44-54	192	\$5,393	\$7,809	\$9,245	\$6,221	\$7,226	\$8,671
CF-BOT2-5416-??-??	44-54	216	\$6,475	\$9,371	\$11,158	\$7,464	\$8,675	\$10,412
CF-BOT2-5440-??-??	44-54	240	\$7,443	\$10,780	\$12,736	\$8,585	\$9,975	\$11,970
CF-BOT2-6044-??-??	50-60	144	\$4,333	\$6,275	\$7,517	\$4,995	\$5,805	\$6,967
CF-BOT2-6068-??-??	50-60	168	\$5,071	\$7,343	\$8,766	\$5,847	\$6,795	\$8,153
CF-BOT2-6092-??-??	50-60	192	\$5,936	\$8,591	\$10,172	\$6,844	\$7,953	\$9,545
CF-BOT2-6016-??-??	50-60	216	\$7,119	\$10,310	\$12,275	\$8,211	\$9,540	\$11,449
CF-BOT2-6040-??-??	50-60	240	\$8,188	\$11,856	\$14,013	\$9,437	\$10,974	\$13,168
<b>three piece top</b>								
CF-BOT3-4816-??-??	42-48	216	\$6,106	\$8,715	\$10,324	\$6,997	\$5,888	\$7,056
CF-BOT3-4840-??-??	42-48	240	\$6,976	\$9,986	\$11,744	\$8,004	\$5,945	\$7,148
CF-BOT3-5416-??-??	44-54	216	\$6,750	\$9,656	\$11,441	\$7,746	\$9,046	\$10,856
CF-BOT3-5440-??-??	44-54	240	\$7,721	\$11,065	\$13,021	\$8,864	\$10,346	\$12,415
CF-BOT3-6016-??-??	50-60	216	\$7,397	\$10,594	\$12,555	\$8,494	\$9,911	\$11,894
CF-BOT3-6040-??-??	50-60	240	\$8,466	\$12,142	\$14,296	\$9,725	\$11,344	\$13,614

- HPL tops with 2mm PVC edges are only available with DeskMakers standard 2MM PVC edgebanding.
- Wood edge will add to the dimensions of top.
- For two piece and three piece table tops, please note that the grain pattern will not line up at the seams.
- Two piece table tops are divided into two equal sections.
- Three piece table tops are divided into three equal sections.
- Tables with sections larger than 96" are available in Southern California and/or will call only.
- For rounded corners with a 4" radius use OP-EDGE-RND for an additional \$178 per top.
- Please see Cleaning and Care Guide for maintenance information.

multi-finish boatshaped table top

TFL edge options

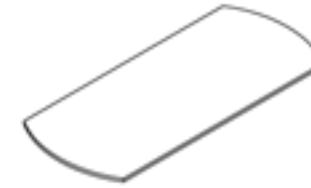


TFL			
1-1/8" Thick Standard TFL	1-1/8" Thick Standard TFL	1-1/8" Thick Standard TFL	1-7/8" Thick Standard TFL
2mm PVC	3/8" Wood	1-1/8" Wood	2mm PVC
Model Number	Depth	Length	
T1-A1	T1-B1	T1-C?	T1-E1
<b>three piece top</b>			
CF-BOTM-4820-??	42-48	120	\$3,050 \$4,319 \$5,092 \$3,071
CF-BOTM-4844-??	42-48	144	\$3,483 \$4,515 \$5,398 \$3,777
CF-BOTM-4868-??	42-48	168	\$3,886 \$5,084 \$5,825 \$4,286
CF-BOTM-4892-??	42-48	192	\$4,327 \$5,731 \$6,549 \$4,800
CF-BOTM-4816-??	42-48	216	\$4,947 \$6,617 \$7,638 \$5,511
CF-BOTM-4840-??	42-48	240	\$5,497 \$7,424 \$8,536 \$6,150
CF-BOTM-5444-??	44-54	144	\$3,753 \$4,893 \$5,606 \$4,078
CF-BOTM-5468-??	44-54	168	\$4,176 \$5,508 \$6,327 \$4,557
CF-BOTM-5492-??	44-54	192	\$4,670 \$6,068 \$7,135 \$5,122
CF-BOTM-5416-??	44-54	216	\$5,356 \$7,214 \$8,345 \$5,893
CF-BOTM-5440-??	44-54	240	\$5,969 \$8,105 \$9,345 \$6,590
CF-BOTM-6044-??	50-60	144	\$3,999 \$5,253 \$6,039 \$4,360
CF-BOTM-6068-??	50-60	168	\$4,466 \$5,928 \$6,830 \$4,888
CF-BOTM-6092-??	50-60	192	\$5,014 \$6,719 \$7,721 \$5,511
CF-BOTM-6016-??	50-60	216	\$5,764 \$7,809 \$9,052 \$6,358
CF-BOTM-6040-??	50-60	240	\$6,441 \$8,788 \$10,153 \$7,121

- Wood edge will add to the dimensions of top.
- For premium TFL, change "T1" to "T2" and add 10%.
- On three piece table tops, please note that the grain pattern will not line up perfectly at the seams.
- Three piece table tops are divided into three equal sections.
- Specify end finish and middle finish on P.O.
- Prices apply to TFL finishes only. For mixing HPL and TFL finishes, contact customer service for pricing.
- For rounded corners with a 4" radius use OP-EDGE-RND for an additional \$178 per top.
- Please see Cleaning and Care Guide for maintenance information.

bow-end table top

TFL edge options

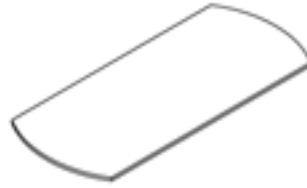


TFL			
1-1/8" Thick Standard TFL	1-1/8" Thick Standard TFL	1-1/8" Thick Standard TFL	1-7/8" Thick Standard TFL
2mm PVC	3/8" Wood	1-1/8" Wood	2mm PVC
Model Number	Depth	Length	
T1-A1	T1-B1	T1-C?	T1-E1
<b>one piece top</b>			
CF-BOW1-3672-??-??	36	72	\$839 \$1,630 \$2,128 \$1,004
CF-BOW1-4284-??-??	42	84	\$901 \$1,778 \$2,357 \$1,045
CF-BOW1-4884-??-??	48	84	\$993 \$1,828 \$2,263 \$1,174
CF-BOW1-4296-??-??	42	96	\$1,076 \$1,911 \$2,511 \$1,223
CF-BOW1-4896-??-??	48	96	\$1,171 \$2,009 \$2,588 \$1,352
CF-BOW1-4820-??-??	48	120	N/A N/A N/A N/A
<b>two piece top</b>			
CF-BOW2-4820-??-??	48	120	\$1,794 \$3,041 \$3,813 \$2,082
CF-BOW2-4844-??-??	48	144	\$2,228 \$3,226 \$4,121 \$2,571
CF-BOW2-4868-??-??	48	168	\$2,630 \$3,804 \$4,547 \$3,030
CF-BOW2-4892-??-??	48	192	\$3,071 \$4,452 \$5,002 \$3,544
CF-BOW2-4816-??-??	48	216	N/A N/A N/A N/A
CF-BOW2-4840-??-??	48	240	N/A N/A N/A N/A
CF-BOW2-5444-??-??	54	144	\$2,498 \$3,614 \$4,058 \$2,877
CF-BOW2-5468-??-??	54	168	\$2,921 \$4,227 \$4,750 \$3,366
CF-BOW2-5492-??-??	54	192	\$3,416 \$4,945 \$5,557 \$3,940
CF-BOW2-5416-??-??	54	216	N/A N/A N/A N/A
CF-BOW2-5440-??-??	54	240	N/A N/A N/A N/A
CF-BOW2-6044-??-??	60	144	\$2,744 \$3,975 \$4,467 \$3,163
CF-BOW2-6068-??-??	60	168	\$3,211 \$4,652 \$5,224 \$3,703
CF-BOW2-6092-??-??	60	192	\$3,759 \$5,440 \$6,113 \$4,334
CF-BOW2-6016-??-??	60	216	N/A N/A N/A N/A
CF-BOW2-6040-??-??	60	240	N/A N/A N/A N/A
<b>three piece top</b>			
CF-BOW3-4816-??-??	48	216	\$3,867 \$5,519 \$6,176 \$4,432
CF-BOW3-4840-??-??	48	240	\$4,417 \$6,325 \$7,081 \$5,070
CF-BOW3-5416-??-??	54	216	\$4,275 \$6,115 \$6,845 \$4,905
CF-BOW3-5440-??-??	54	240	\$4,890 \$7,008 \$7,849 \$5,614
CF-BOW3-6016-??-??	60	216	\$4,684 \$6,710 \$7,515 \$5,379
CF-BOW3-6040-??-??	60	240	\$5,362 \$7,690 \$8,615 \$6,159

- For premium TFL, change "T1" to "T2" and add 10%.
- TFL tops with 2mm PVC edges are only available with DeskMakers standard 2MM PVC edgbanding.
- Wood edge will add to the dimensions of top.
- 120" one piece conference table tops not available in all TFL finishes, see pages 4-5 for availability.
- For two piece and three piece table tops, please note that the grain pattern will not line up at the seams.
- Two piece table tops are divided into two equal sections.
- Three piece table tops are divided into three equal sections.
- Tables with sections larger than 96" are available in Southern California and/or will call only.
- Please see Cleaning and Care Guide for maintenance information.

bow-end table top

HPL edge options

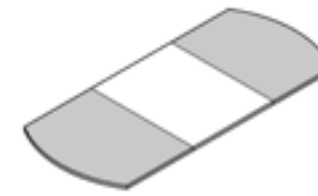


		HPL						
		1-1/8" Thick Standard HPL	1-1/8" Thick Standard HPL	1-1/8" Thick Standard HPL	1-7/8" Thick Standard HPL	1-1/8" Thick MDF Core	1" Thick Plywood Core	
Model Number	Depth	Length	H1-A1	H1-B1	H1-C?	H1-E1	H1-K4	H1-P1
<b>one piece top</b>								
CF-BOW1-3672-??-??	36	72	\$1,431	\$2,574	\$3,360	\$1,587	\$1,776	\$2,133
CF-BOW1-4284-??-??	42	84	\$1,423	\$2,807	\$3,723	\$1,649	\$1,905	\$2,285
CF-BOW1-4884-??-??	48	84	\$1,567	\$2,886	\$3,571	\$1,853	\$1,962	\$2,420
CF-BOW1-4296-??-??	42	96	\$1,701	\$3,019	\$3,964	\$1,931	\$2,279	\$2,734
CF-BOW1-4896-??-??	48	96	\$1,848	\$3,171	\$4,087	\$2,133	\$2,475	\$2,970
CF-BOW1-4820-??-??	48	120	\$2,449	\$4,084	\$4,862	\$2,781	\$3,284	\$3,941
<b>two piece top</b>								
CF-BOW2-4820-??-??	48	120	\$3,001	\$4,802	\$6,022	\$3,287	\$3,471	\$4,164
CF-BOW2-4844-??-??	48	144	\$3,517	\$5,095	\$6,506	\$4,060	\$3,792	\$4,734
CF-BOW2-4868-??-??	48	168	\$4,155	\$6,006	\$7,180	\$4,785	\$3,993	\$4,832
CF-BOW2-4892-??-??	48	192	\$4,849	\$7,031	\$7,899	\$5,598	\$4,049	\$4,925
CF-BOW2-4816-??-??	48	216	\$5,830	\$8,431	\$9,473	\$6,719	\$4,843	\$6,987
CF-BOW2-4840-??-??	48	240	\$6,698	\$9,703	\$10,897	\$7,727	\$4,900	\$7,079
CF-BOW2-5444-??-??	54	144	\$3,944	\$5,708	\$6,407	\$4,544	\$5,284	\$6,341
CF-BOW2-5468-??-??	54	168	\$4,611	\$6,676	\$7,501	\$5,315	\$6,180	\$7,417
CF-BOW2-5492-??-??	54	192	\$5,393	\$7,809	\$8,777	\$6,221	\$7,226	\$8,671
CF-BOW2-5416-??-??	54	216	\$6,475	\$9,371	\$10,528	\$7,464	\$8,675	\$10,412
CF-BOW2-5440-??-??	54	240	\$7,443	\$10,780	\$12,109	\$8,585	\$9,975	\$11,970
CF-BOW2-6044-??-??	60	144	\$4,333	\$6,275	\$7,053	\$4,995	\$5,805	\$6,967
CF-BOW2-6068-??-??	60	168	\$5,071	\$7,345	\$8,248	\$5,847	\$6,795	\$8,153
CF-BOW2-6092-??-??	60	192	\$5,936	\$8,591	\$9,654	\$6,844	\$7,953	\$9,545
CF-BOW2-6016-??-??	60	216	\$7,119	\$10,310	\$11,582	\$8,211	\$9,540	\$11,449
CF-BOW2-6040-??-??	60	240	\$8,188	\$11,856	\$13,322	\$9,437	\$10,974	\$13,168
<b>three piece top</b>								
CF-BOW3-4816-??-??	48	216	\$6,106	\$8,715	\$9,751	\$6,997	\$5,888	\$7,056
CF-BOW3-4840-??-??	48	240	\$6,976	\$9,986	\$11,180	\$8,004	\$5,945	\$7,148
CF-BOW3-5416-??-??	54	216	\$6,750	\$9,656	\$10,810	\$7,746	\$9,046	\$10,856
CF-BOW3-5440-??-??	54	240	\$7,721	\$11,065	\$12,392	\$8,864	\$10,346	\$12,415
CF-BOW3-6016-??-??	60	216	\$7,397	\$10,594	\$11,865	\$8,494	\$9,911	\$11,894
CF-BOW3-6040-??-??	60	240	\$8,466	\$12,142	\$13,605	\$9,725	\$11,344	\$13,614

- HPL tops with 2mm PVC edges are only available with DeskMakers standard 2MM PVC edgebanding.
- Wood edge will add to the dimensions of top.
- For two piece and three piece table tops, please note that the grain pattern will not line up at the seams.
- Two piece table tops are divided into two equal sections.
- Three piece table tops are divided into three equal sections.
- Tables with sections larger than 96" are available in Southern California and/or will call only.
- Please see Cleaning and Care Guide for maintenance information.

multi-finish bow-end table top

TFL edge options

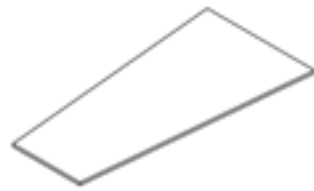


		TFL				
		1-1/8" Thick Standard TFL	1-1/8" Thick Standard TFL	1-1/8" Thick Standard TFL	1-7/8" Thick Standard TFL	
Model Number	Depth	Length	T1-A1	T1-B1	T1-C?	T1-E1
<b>three piece top</b>						
CF-BOWM-4820-??	48	120	\$3,050	\$4,319	\$5,092	\$3,337
CF-BOWM-4844-??	48	144	\$3,483	\$4,504	\$5,398	\$3,777
CF-BOWM-4868-??	48	168	\$3,886	\$5,083	\$5,825	\$4,286
CF-BOWM-4892-??	48	192	\$4,327	\$5,731	\$6,280	\$4,800
CF-BOWM-4816-??	48	216	\$4,947	\$6,617	\$7,278	\$5,511
CF-BOWM-4840-??	48	240	\$5,497	\$7,424	\$8,180	\$6,150
CF-BOWM-5444-??	54	144	\$3,753	\$4,893	\$5,640	\$4,078
CF-BOWM-5468-??	54	168	\$4,176	\$5,508	\$6,030	\$4,557
CF-BOWM-5492-??	54	192	\$4,670	\$6,226	\$6,836	\$5,122
CF-BOWM-5416-??	54	216	\$5,356	\$7,214	\$7,946	\$5,893
CF-BOWM-5440-??	54	240	\$5,969	\$8,105	\$8,949	\$6,590
CF-BOWM-6044-??	60	144	\$3,999	\$5,253	\$5,746	\$4,360
CF-BOWM-6068-??	60	168	\$4,466	\$5,928	\$6,504	\$4,888
CF-BOWM-6092-??	60	192	\$5,014	\$6,719	\$7,392	\$5,511
CF-BOWM-6016-??	60	216	\$5,764	\$7,809	\$8,614	\$6,358
CF-BOWM-6040-??	60	240	\$6,441	\$8,788	\$9,716	\$7,121

- Wood edge will add to the dimensions of top.
- For premium TFL, change "T1" to "T2" and add 10%.
- On three piece table tops, please note that the grain pattern will not line up perfectly at the seams.
- Three piece table tops are divided into three equal sections.
- Specify end finish and middle finish on P.O.
- Prices apply to TFL finishes only. For mixing HPL and TFL finishes, contact customer service for pricing.
- Please see Cleaning and Care Guide for maintenance information.

sightline table top

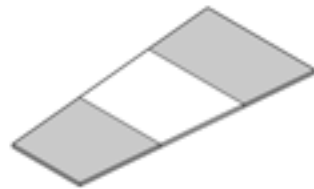
TFL edge options



TFL						
1-1/8" Thick Standard TFL	1-1/8" Thick Standard TFL	1-1/8" Thick Standard TFL	1-7/8" Thick Standard TFL			
2mm PVC	3/8" Wood	1-1/8" Wood	2mm PVC			
Model Number	Depth	Length	T1-A1	T1-B1	T1-C?	T1-E1
<b>one piece top</b>						
CF-SLN1-4896-??-??	30-48	96	\$1,492	\$2,306	\$2,844	\$1,649
CF-SLN1-5496-??-??	30-54	96	\$1,597	\$2,423	\$2,988	\$1,733
CF-SLN1-6020-??-??	36-60	120	N/A	N/A	N/A	N/A
<b>two piece top</b>						
CF-SLN2-6020-??-??	36-60	120	\$1,933	\$2,975	\$3,554	\$2,111
CF-SLN2-6044-??-??	36-60	144	\$3,038	\$4,273	\$5,058	\$3,465
CF-SLN2-6068-??-??	36-60	168	\$3,506	\$4,947	\$5,852	\$3,930
CF-SLN2-6092-??-??	36-60	192	\$4,130	\$5,740	\$6,741	\$4,630
CF-SLN2-6016-??-??	36-60	216	N/A	N/A	N/A	N/A
CF-SLN2-6040-??-??	36-60	240	N/A	N/A	N/A	N/A
<b>three piece top</b>						
CF-SLN3-6016-??-??	36-60	216	\$4,979	\$7,008	\$8,252	\$5,678
CF-SLN3-6040-??-??	36-60	240	\$5,655	\$7,986	\$9,352	\$6,340

multi-finish sightline table top

TFL edge options

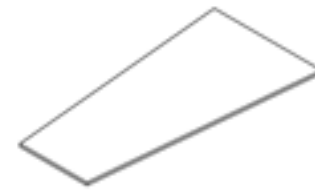


TFL						
1-1/8" Thick Standard TFL	1-1/8" Thick Standard TFL	1-1/8" Thick Standard TFL	1-7/8" Thick Standard TFL			
2mm PVC	3/8" Wood	1-1/8" Wood	2mm PVC			
Model Number	Depth	Length	T1-A1	T1-B1	T1-C?	T1-E1
<b>three piece top</b>						
CF-SLNM-6020-??	36-60	120	\$3,188	\$4,255	\$4,832	\$3,366
CF-SLNM-6044-??	36-60	144	\$4,293	\$5,553	\$6,340	\$4,656
CF-SLNM-6068-??	36-60	168	\$4,761	\$6,227	\$7,132	\$5,183
CF-SLNM-6092-??	36-60	192	\$5,307	\$7,020	\$8,020	\$5,801
CF-SLNM-6016-??	36-60	216	\$6,057	\$8,107	\$9,351	\$6,652
CF-SLNM-6040-??	36-60	240	\$6,734	\$9,086	\$10,451	\$7,417

- For premium TFL, change "T1" to "T2" and add 10%.
- TFL tops with 2mm PVC edges are only available with DeskMakers standard 2MM PVC edgebanding.
- Wood edge will add to the dimensions of top.
- 120" one piece conference table tops not available in all TFL finishes, see pages 4-5 for availability.
- For two piece and three piece table tops, please note that the grain pattern will not line up at the seams.
- Two piece table tops are divided into two equal sections.
- Three piece table tops are divided into three equal sections.
- Tables with sections larger than 96" are available in Southern California and/or will call only.
- For rounded corners with a 4" radius use OP-EDGE-RND for an additional \$178 per top.
- Please see Cleaning and Care Guide for maintenance information.

sightline table top

HPL edge options



HPL								
1-1/8" Thick Standard HPL	1-1/8" Thick Standard HPL	1-1/8" Thick Standard HPL	1-7/8" Thick Standard HPL	1-1/8" Thick MDF Core	1" Thick Plywood Core			
2mm PVC	3/8" Wood	1-1/8" Wood	2mm PVC	2mm PVC Knife	Plywood			
Model Number	Depth	Length	H1-A1	H1-B1	H1-C?	H1-E1	H1-K1	H1-P1
<b>one piece top</b>								
CF-SLN1-4896-??-??	30-48	96	\$2,357	\$3,642	\$4,490	\$2,606	\$3,156	\$3,789
CF-SLN1-5496-??-??	30-54	96	\$2,521	\$3,826	\$4,717	\$2,735	\$3,380	\$4,053
CF-SLN1-6020-??-??	36-60	120	\$2,549	\$4,017	\$4,952	\$3,268	\$3,413	\$4,098
<b>two piece top</b>								
CF-SLN2-6020-??-??	36-60	120	\$3,052	\$4,699	\$5,611	\$3,331	\$4,089	\$4,906
CF-SLN2-6044-??-??	36-60	144	\$4,797	\$6,745	\$7,987	\$5,473	\$6,427	\$7,712
CF-SLN2-6068-??-??	36-60	168	\$5,538	\$7,813	\$9,241	\$6,203	\$7,420	\$8,903
CF-SLN2-6092-??-??	36-60	192	\$6,520	\$9,064	\$10,642	\$7,311	\$8,735	\$10,482
CF-SLN2-6016-??-??	36-60	216	\$7,584	\$10,785	\$12,747	\$8,522	\$10,161	\$12,194
CF-SLN2-6040-??-??	36-60	240	\$8,652	\$12,329	\$14,480	\$9,731	\$11,592	\$13,909
<b>three piece top</b>								
CF-SLN3-6016-??-??	36-60	216	\$7,861	\$11,065	\$13,030	\$8,964	\$10,533	\$12,638
CF-SLN3-6040-??-??	36-60	240	\$8,930	\$12,612	\$14,769	\$10,011	\$11,967	\$14,357

- HPL tops with 2mm PVC edges are only available with DeskMakers standard 2MM PVC edgebanding.
- Wood edge will add to the dimensions of top.
- For two piece and three piece table tops, please note that the grain pattern will not line up at the seams.
- Two piece table tops are divided into two equal sections.
- Three piece table tops are divided into three equal sections.
- Tables with sections larger than 96" are available in Southern California and/or will call only.
- For rounded corners with a 4" radius use OP-EDGE-RND for an additional \$178 per top.
- Please see Cleaning and Care Guide for maintenance information.

reveal below table top



Model Number	Table Top Length	Price
<b>for all conference table tops</b>		
OP-REVL-01	1/2" REVEAL UP TO 96" TOP	\$357
OP-REVL-02	1/2" REVEAL 97-120" TOP	\$456
OP-REVL-03	1/2" REVEAL 121-144" TOP	\$624
OP-REVL-04	1/2" REVEAL 145-192" TOP	\$890
OP-REVL-05	1/2" REVEAL 193-240" TOP	\$1,335
<b>for round and square table tops</b>		
OP-REVL-11	1/2" REVEAL ROUND OR SQUARE	\$371

- Reveal raises the overall height of the table by 1/2".
- Specify silver metallic, white, black or matching PVC finish for reveal.
- Reveal is 1/2" thick and is inset 1/2" from edge of table top.



# malibu bases



## details

- constructed of 3/4" thick material
- side panels available in the same or a different finish than end panels
- standard in TFL, HPL available at an upcharge
- edges are 2mm PVC
- hollow construction allows wires to pass through
- all bases are sold as a set with wire management stretcher troughs between bases
- all bases include a wire management door in (1) side panel - bases/base sets can be positioned at install so wire doors face either side of table
- end bases include a wire management grommet hole near top of base on trough side
- middle bases include a wire management grommet hole near top of base on both sides

## offering

### panel



- 5" deep
- 20" wide, 24" wide & 30" wide
- 2-1/2" x 6" wire management cutout in top
- 2-1/2" grommet in bottom
- rectangular, racetrack, boatshaped and bow-end tops only
- minimum table size: 36" x 72"
- maximum table size: 60" x 240"

### rectangular



- 12" deep
- 18" wide, 24" wide & 30" wide
- 10" x 15-1/2" wire management cutout in top and bottom
- rectangular, racetrack, boatshaped, bow-end and sightline tops
- minimum table size: 36" x 72"
- maximum table size: 60" x 240"

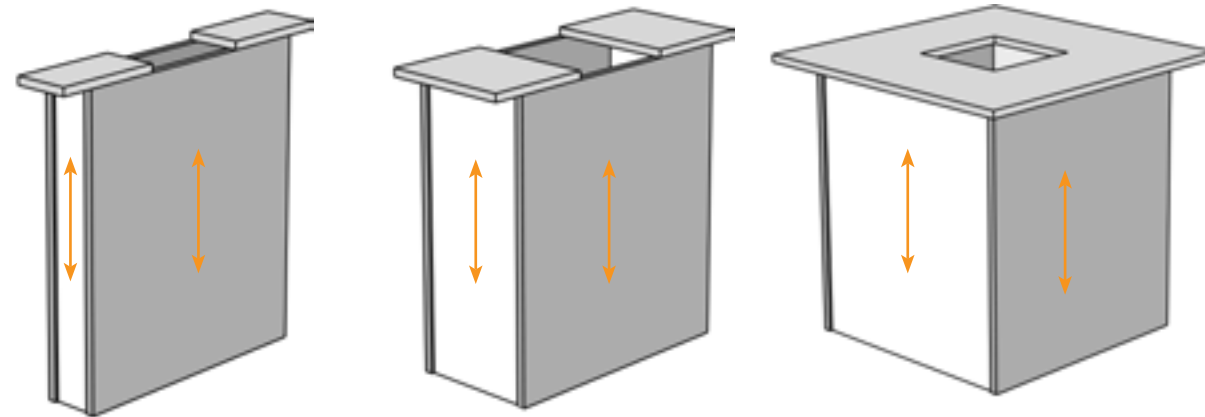
### square



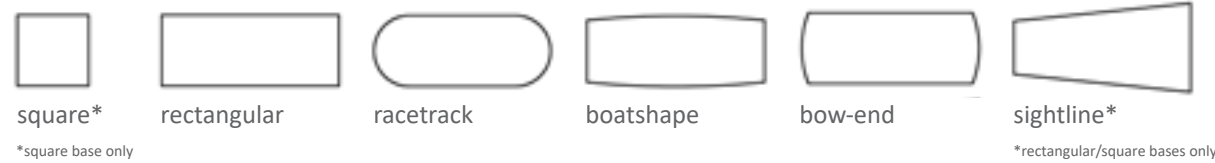
- 18" deep, 24" deep & 30" deep
- 18" wide, 24" wide & 30" wide
- 10" x 10" wire management cutout in top and bottom
- square, rectangular, racetrack, boatshaped, bow-end and sightline tops
- minimum table size: 36" x 36"
- maximum table size: 60" x 240"

## malibu base details

### grain direction



### table tops for malibu bases

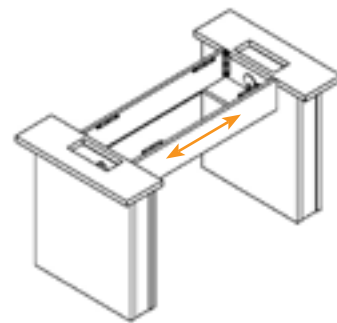


### optional stainless steel side panels



For silver metallic side panels add OP-CONF-SVP for \$399 per base.

### wire management stretcher trough



Wire management stretcher troughs are 13-1/2" wide x 6-1/2" high, with interior clearance of 12" wide x 5-3/4" high.

## malibu base for square table tops



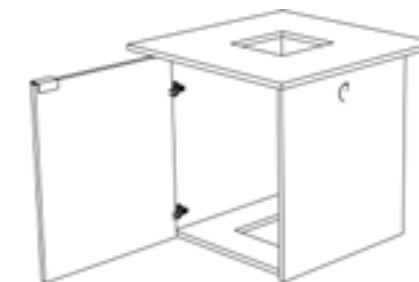
### pricing



Model Number	Table Top Size(s)	Base Size	Bases Included	Price
CF-BSQ2-1-18	36" Square	18	1	\$525
CF-BSQ2-1-20	42" Square	20	1	\$531
CF-BSQ2-1-24	48" Square	24	1	\$758
CF-BSQ2-1-30	54", 60" Square	30	1	\$777

- Standard in single TFL finish. No charge for side panels in a different TFL finish. Must specify on PO.
- For silver metallic side panels add OP-CONF-SVP for \$399 per base.
- Square bases are hollow with 10" square openings at top and bottom for wire management.
- Square bases should not be used with round tops.
- Malibu bases are not available with kickplate.

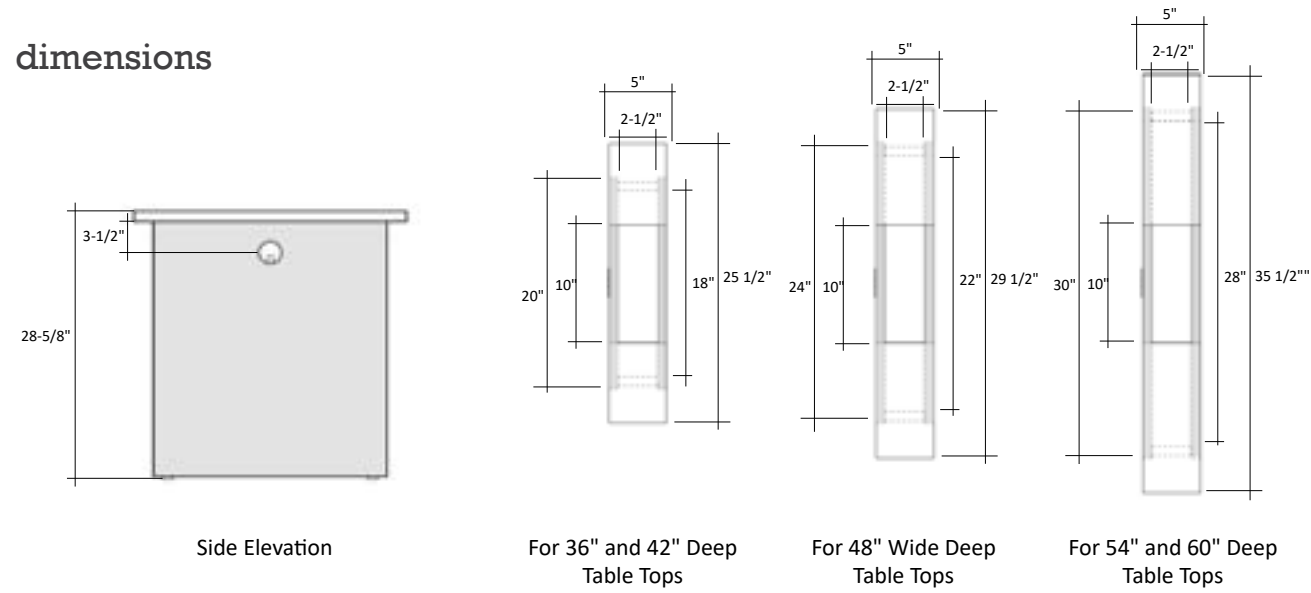
### wire access door detail



- Swing door standard on one inset side of base. Grommet included on adjacent panel when base is part of set.
- 123SN 3" Pull included.

# malibu panel base

## dimensions



## base placement

rectangular, racetrack, boatshape and bow-end table tops

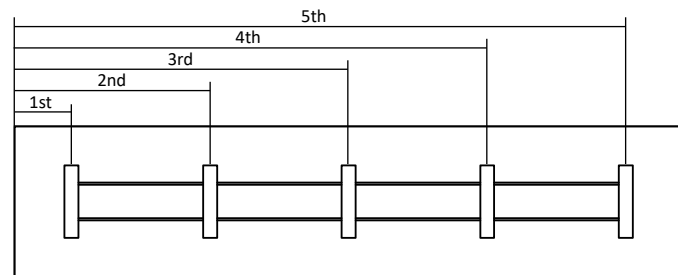


Table Depth	Table Length	Center of 1st Base	Center of 2nd Base	Center of 3rd Base	Center of 4th Base	Center of 5th Base
36	72	17-1/2	54-1/2			
42/48	84	20-1/2	63-1/2			
42/48	96	20-1/2	75-1/2			
48	120	20-1/2	60	99-1/2		
48/54/60	144	20-1/2	72	123-1/2		
48/54/60	168	20-1/2	84	147-1/2		
48/54/60	192	20-1/2	70-13/16	121-3/16	171-1/2	
48/54/60	216	20-1/2	78-13/16	137-7/16	195-1/2	
48/54/60	240	20-1/2	70-1/4	120	169-3/4	219-1/2

## pricing

Model Number	Table Top Size(s)	Base Size	Stretcher Length	Price
<b>2 Bases &amp; 1 Stretcher</b>				
CF-BPN2-20-72	36 x 72	20	32	\$838
CF-BPN2-20-84	42 x 84	20	38	\$915
CF-BPN2-24-84	48 x 84	24	38	\$922
CF-BPN2-20-96	42 x 96	20	50	\$926
CF-BPN2-24-96	48 x 96	24	50	\$1,195
<b>3 Bases &amp; 2 Stretchers</b>				
CF-BPN3-24-120	48 x 120	24	34 1/2	\$1,338
CF-BPN3-24-144	48 x 144	24	46 1/2	\$1,368
CF-BPN3-30-144	54 x 144, 60 x 144	30	46 1/2	\$1,390
<b>4 Bases &amp; 3 Stretchers</b>				
CF-BPN4-24-168	48 x 168	24	37 1/4	\$1,732
CF-BPN4-30-168	54 x 168, 60 x 168	30	37 1/4	\$2,023
CF-BPN4-24-192	48 x 192	24	45 1/4	\$1,757
CF-BPN4-30-192	54 x 192, 60 x 192	30	45 1/4	\$2,048
CF-BPN4-24-216	48 x 216	24	53 1/4	\$1,768
CF-BPN4-30-216	54 x 216, 60 x 216	30	53 1/4	\$2,059
<b>5 Bases &amp; 4 Stretchers</b>				
CF-BPN5-24-240	48 x 240	24	44 3/4	\$2,191
CF-BPN5-30-240	54 x 240, 60 x 240	30	44 3/4	\$2,444

- Standard in single TFL finish. No charge for side panels in a different TFL finish. Specify clearly on P.O.
- For silver metallic side panels, add OP-CONF-SVP for \$399 per base.
- Troughs are 13.5" wide x 6.5" high, with interior clearance of 12" wide x 5.75" high.
- 5" thick panel bases are hollow with 2.5" x 10" opening at top and bottom for wire management.
- To place a power/data grommet over a base, add OP-CONF-NOTCH for \$514 per base.
- Shipped in pieces and require assembly.
- Malibu bases are not available with kickplate.

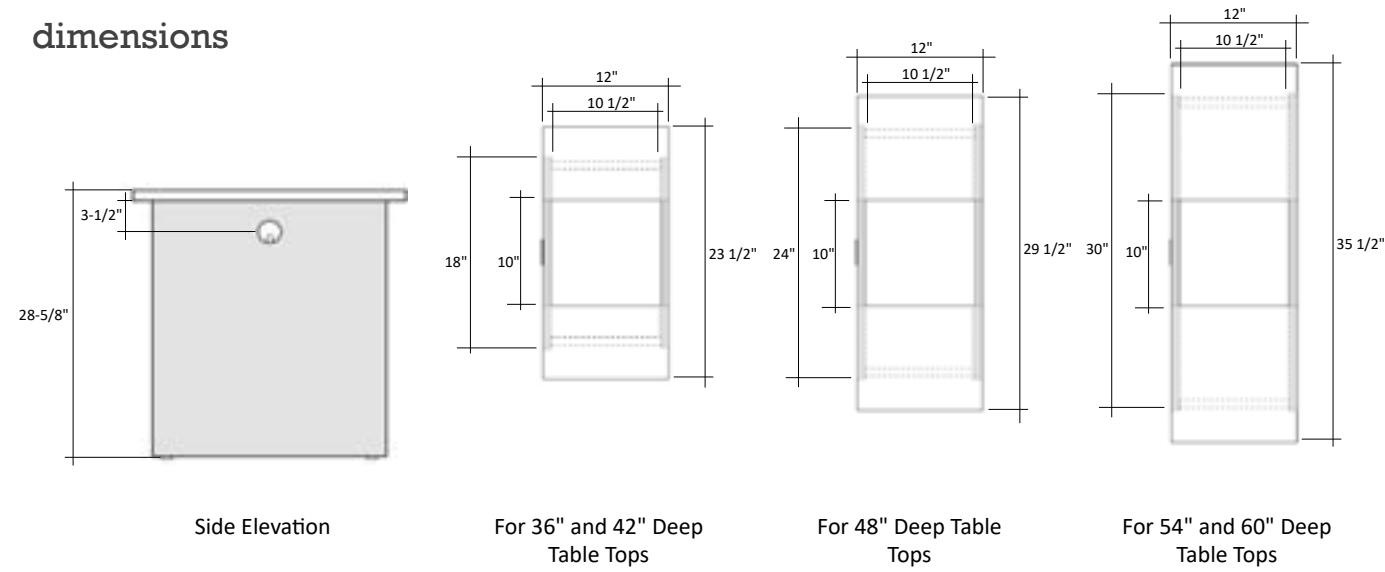
## wire access door detail



- Swing door standard on one inset side of base. Grommet included on adjacent panel.
- 123SN 3" Pull included.

# malibu rectangular base

## dimensions



## base placement

rectangular, racetrack, boatshape, bow-end and sightline table tops

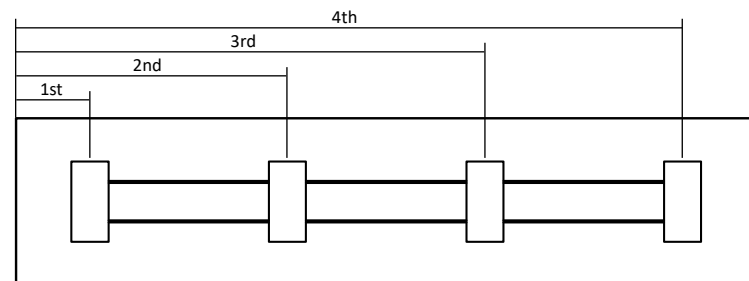


Table Depth	Table Length	Center of 1st Base	Center of 2nd Base	Center of 3rd Base	Center of 4th Base
36	72	18	54		
42/48	84	24	60		
42/48	96	24	72		
48*	120	24	96		
48**	120	24	60	96	
48/54/60	144	24	72	120	
48/54/60	168	24	84	144	
48/54/60	192	24	72	120	168
48/54/60	216	24	80	136	192
48/54/60	240	24	88	152	216

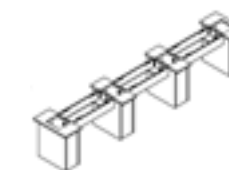
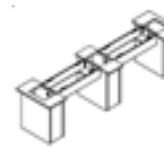
\*one piece top

\*\*two and three piece top

## pricing

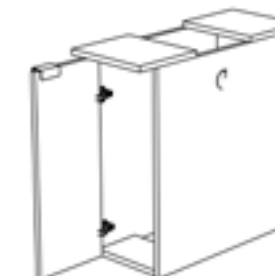


Model Number	Table Top Size(s)	Base Size	Stretcher Length	Price
<b>2 Bases &amp; 1 Stretcher</b>				
CF-BRN2-18-72	36 x 72	18	24	\$852
CF-BRN2-18-84	42 x 84	18	24	\$852
CF-BRN2-24-84	48 x 84	24	24	\$1,126
CF-BRN2-18-96	42 x 96,	18	36	\$937
CF-BRN2-24-96	48 x 96	24	36	\$1,211
CF-BRN2-24-120	48 x 120 (1 piece top)	24	60	\$1,231
<b>3 Bases &amp; 2 Stretchers</b>				
CF-BRN3-24-120	48 x 120 (2 & 3 piece top)	24	24	\$1,360
CF-BRN3-24-144	48 x 144	24	36	\$1,605
CF-BRN3-30-144	54 x 144, 60 x 144	30	36	\$1,890
CF-BRN3-24-168	48 x 168	24	48	\$1,626
CF-BRN3-30-168	54 x 168, 60 x 168	30	48	\$1,909
<b>4 Bases &amp; 3 Stretchers</b>				
CF-BRN4-24-192	48 x 192	24	36	\$2,047
CF-BRN4-30-192	54 x 192, 60 x 192	30	36	\$2,291
CF-BRN4-24-216	48 x 216	24	44	\$2,072
CF-BRN4-30-216	54 x 216, 60 x 216	30	44	\$2,316
CF-BRN4-24-240	48 x 240	24	52	\$2,083
CF-BRN4-30-240	54 x 240, 60 x 240	30	52	\$2,328



- Standard in single TFL finish. No charge for side panels in a different TFL finish. Specify clearly on P.O.
- For silver metallic side panels, add OP-CONF-SVP for \$399 per base.
- Troughs are 13.5" wide x 6.5" high, with interior clearance of 12" wide x 5.75" high.
- To place a power/data grommet over a base, add OP-CONF-NOTCH for \$514 per base.
- Rectangular bases are hollow with 10"x10.5" opening at top and bottom for wire management.
- Shipped in pieces and require assembly.
- Malibu bases are not available with kickplate.

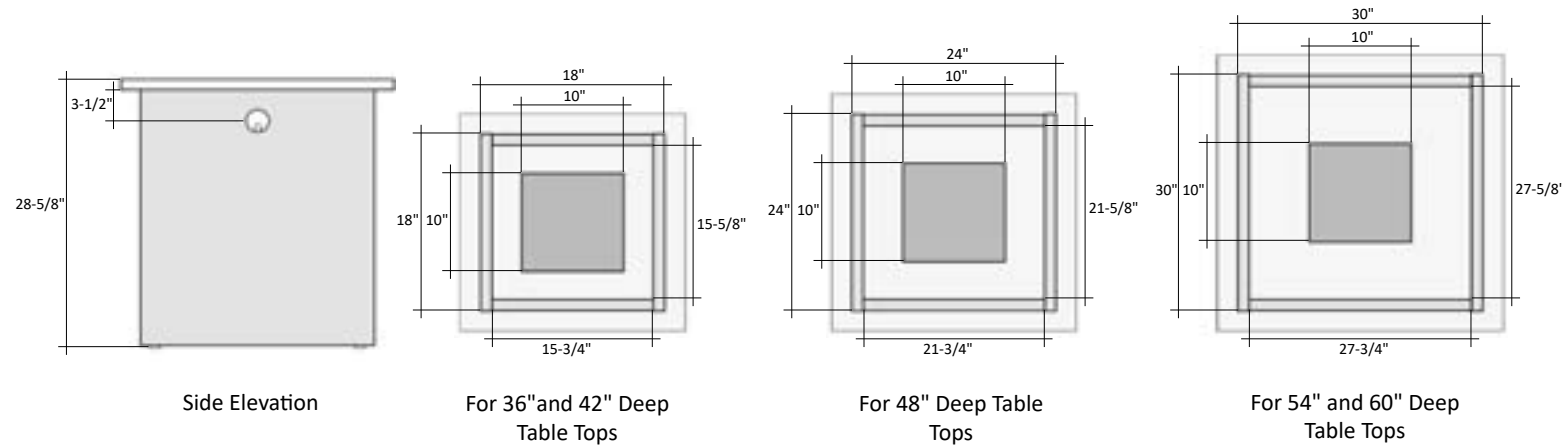
## wire access door detail



- Swing door standard on one inset side of base. Grommet included on adjacent panel.
- 123SN 3" Pull included.

# malibu square base

## dimensions



## base placement

rectangular, racetrack, boatshape and bow-end table tops

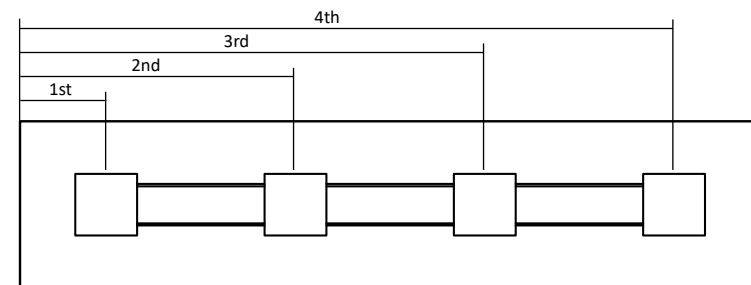


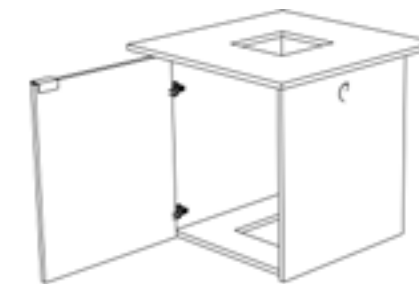
Table Depth	Table Length	Center of 1st Base	Center of 2nd Base	Center of 3rd Base	Center of 4th Base
36	72	21	51		
42	84	27	57		
42	96	27	69		
48	96	30	66		
48	120	30	90		
48	144	30	72	114	
48	168	30	84	138	
48	192	30	74	118	162
48	216	30	82	134	186
48	240	30	90	150	210
54/60	144	33	72	111	
54/60	168	33	84	135	
54/60	192	33	75	117	159
54/60	216	33	83	133	183
54/60	240	33	91	149	207

## pricing

Model Number	Table Top Size(s)	Base Size	Stretcher Length	Price
<b>2 Bases &amp; 1 Stretcher</b>				
CF-BSN2-18-72	36 x 72	18	12	\$1,127
CF-BSN2-18-84	42 x 84	18	12	\$1,127
CF-BSN2-18-96	42 x 96	18	24	\$1,138
CF-BSN2-24-96	48 x 96	24	12	\$1,163
CF-BSN2-24-120	48 x 120	24	36	\$1,258
<b>3 Bases &amp; 2 Stretchers</b>				
CF-BSN3-24-144	48 x 144	24	18	\$1,902
CF-BSN3-30-144	54 x 144, 60 x 144	30	9	\$2,157
CF-BSN3-24-168	48 x 168	24	30	\$1,923
CF-BSN3-30-168	54 x 168, 60 x 168	30	21	\$2,440
<b>4 Bases &amp; 3 Stretchers</b>				
CF-BSN4-24-192	48 x 192	24	20	\$2,568
CF-BSN4-30-192	54 x 192, 60 x 192	30	12	\$2,764
CF-BSN4-24-216	48 x 216	24	28	\$2,593
CF-BSN4-30-216	54 x 216, 60 x 216	30	20	\$3,121
CF-BSN4-24-240	48 x 240	24	36	\$2,618
CF-BSN4-30-240	54 x 240, 60 x 240	30	28	\$3,146

- Standard in single TFL finish. No charge for side panels in a different TFL finish. Specify clearly on P.O.
- For silver metallic side panels, add OP-CONF-SVP for \$399 per base.
- Troughs are 13.5" wide x 6.5" high, with interior clearance of 12" wide x 5.75" high.
- To place a power/data grommet over a base, add OP-CONF-NOTCH for \$514 per base.
- Square bases are hollow with 10" square opening at top and bottom for wire management.
- Shipped in pieces and require assembly.
- Malibu bases are not available with kickplate.

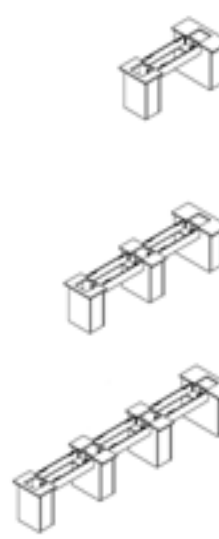
## wire access door detail



- Swing door standard on one inset side of base. Grommet included on adjacent panel when base is part of set.
- 123SN 3" Pull included.

# malibu bases for sightline table tops

## pricing - rectangular bases



Model Number	Table Top Size(s)	Base Size	Stretcher Length	Price
<b>2 Bases &amp; 1 Stretcher</b>				
CF-BRS2-1824-96	48 x 96	18-24	36	\$942
CF-BRS2-1830-96	54 x 96	18-30	36	\$1,213
CF-BRS2-1830-120	60 x 120 (1-piece top)	18-30	60	\$1,233
<b>3 Bases &amp; 2 Stretchers</b>				
CF-BRS3-1830-120	60 x 120 (2-piece top)	18-24-30	24	\$1,361
CF-BRS3-1830-144	60 x 144	18-24-30	36	\$1,607
CF-BRS3-1830-168	60 x 168	18-24-30	48	\$1,628
<b>4 Bases &amp; 3 Stretchers</b>				
CF-BRS4-1830-192	60 x 192	18-24-24-30	36	\$2,048
CF-BRS4-1830-216	60 x 216	18-24-24-30	44	\$2,073
CF-BRS4-1830-240	60 x 240	18-24-24-30	52	\$2,085

- Standard in single TFL finish. No charge for side panels in a different TFL finish. Specify clearly on P.O.
- For silver metallic side panels, add OP-CONF-SVP for \$399 per base.
- Troughs are 13.5" wide x 6.5" high, with interior clearance of 12" wide x 5.75" high.
- To place a power/data grommet over a base, add OP-CONF-NOTCH for \$514 per base.
- Rectangular bases are hollow with 10"x10.5" opening at top and bottom for wire management.
- Shipped in pieces and require assembly.
- Malibu bases are not available with kickplate.

## rectangular base placement

sightline table tops

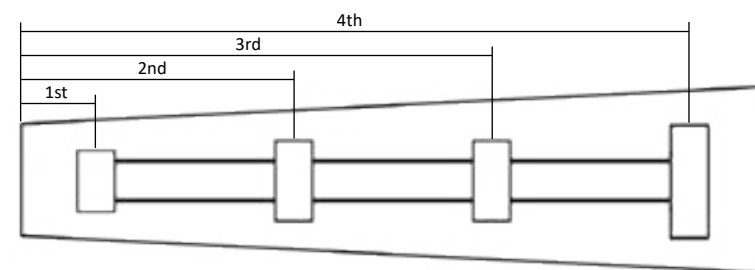
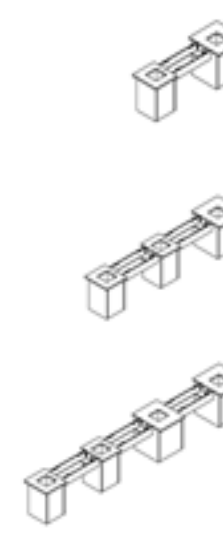


Table Depth	Table Length	Center of 1st Base	Center of 2nd Base	Center of 3rd Base	Center of 4th Base
48	96	24	72		
54	96	24	72		
60	120	24	96		
60	120	24	60	96	
60	144	24	72	120	
60	168	24	84	144	
60	192	24	72	120	168
60	216	24	80	136	192
60	240	24	88	152	216

\*one piece top  
\*\*two and three piece top

## pricing - square bases



Model Number	Table Top Size(s)	Base Size	Stretcher Length	Price
<b>2 Bases &amp; 1 Stretcher</b>				
CF-BSS2-1818-96	48 x 96	18-18	24	\$1,138
CF-BSS2-1824-96	54 x 96	18-24	18	\$1,152
CF-BSS2-1824-120	60 x 120 (1-piece top)	18-24	42	\$1,243
<b>3 Bases &amp; 2 Stretchers</b>				
CF-BSS3-1824-120	60 x 120 (2-piece top)	18-18-24	12	\$1,590
CF-BSS3-1824-144	60 x 144	18-18-24	24	\$1,611
CF-BSS3-1824-168	60 x 168	18-18-24	36	\$1,902
<b>4 Bases &amp; 3 Stretchers</b>				
CF-BSS4-1824-192	60 x 192	18-18-24-24	24	\$2,060
CF-BSS4-1824-216	60 x 216	18-18-24-24	32	\$2,302
CF-BSS4-1824-240	60 x 240	18-18-24-24	40	\$2,326

- Standard in single TFL finish. No charge for side panels in a different TFL finish. Specify clearly on P.O.
- For silver metallic side panels, add OP-CONF-SVP for \$399 per base.
- Troughs are 13.5" wide x 6.5" high, with interior clearance of 12" wide x 5.75" high.
- To place a power/data grommet over a base, add OP-CONF-NOTCH for \$514 per base.
- Square bases are hollow with 10" square opening at top and bottom for wire management.
- Shipped in pieces and require assembly.
- Malibu bases are not available with kickplate.

## square base placement

sightline table tops

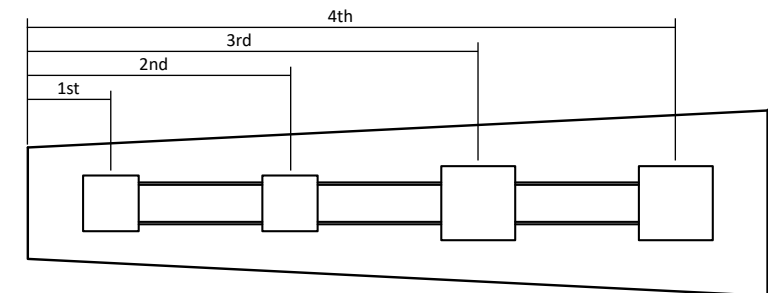


Table Depth	Table Length	Center of 1st Base	Center of 2nd Base	Center of 3rd Base	Center of 4th Base
48	96	27	69		
54	96	27	66		
60	120	27	90		
60	120	27	57	90	
60	144	27	69	114	
60	168	27	81	138	
60	192	27	69	114	162
60	216	27	77	130	186
60	240	27	85	146	210

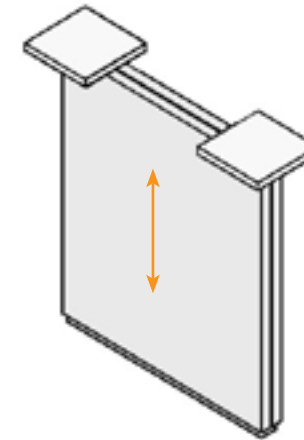
# torrance bases



## details

- constructed two of 1-1/8" thick pieces with 1/8" reveal, solid construction, cannot route wires through
- recessed kickplate is 3/4" high, standard finish is black
- reveal is only available in black
- edges are 2mm PVC
- standard in TFL, HPL available at an upcharge
- all bases are sold as a set with wire management stretcher troughs between bases
- middle bases include a wire management grommet hole near top of base
- 2-3/8" deep
- 20" wide, 24" wide & 30" wide
- minimum table size: 36" x 72"
- maximum table size: 60" x 240"

## grain direction



## table tops for torrance bases

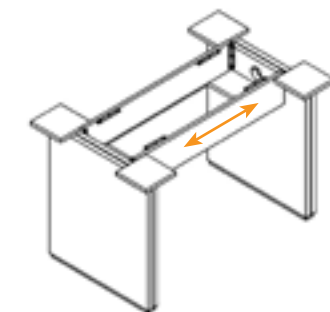


## optional kickplate colors



For silver metallic, white or matching PVC kickplate, add OP-CONF-71 for \$189 per base.

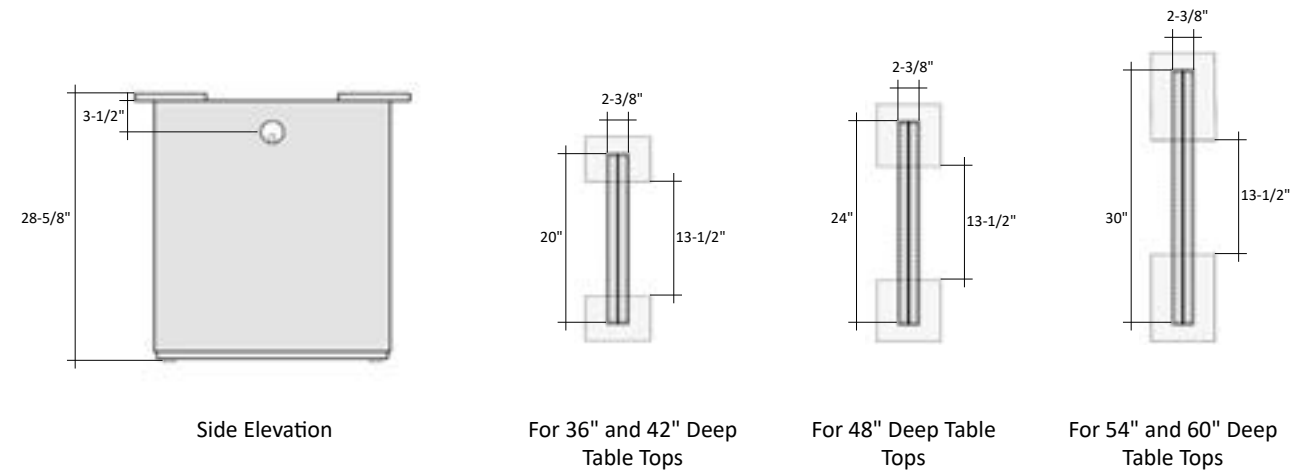
## wire management stretcher trough



Wire management stretcher troughs are 13-1/2" wide x 6-1/2" high, with interior clearance of 12" wide x 5-3/4" high.

# torrance bases

## dimensions



## base placement

rectangular, racetrack, boatshape and bow-end table tops

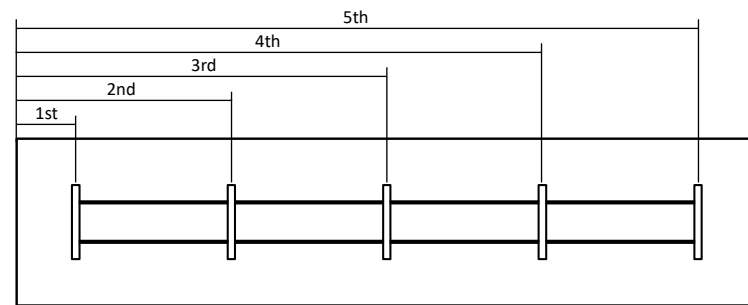


Table Depth	Table Length	Center of 1st Base	Center of 2nd Base	Center of 3rd Base	Center of 4th Base	Center of 5th Base
36	72	16-3/16	55-13/16			
42/48	84	19-3/16	64-13/16			
42/48	96	19-3/16	76-13/16			
48	120	19-3/16	60	100-13/16		
48/54/60	144	19-3/16	72	124-13/16		
48/54/60	168	19-3/16	62-3/8	105-6/8	148-13/16	
48/54/60	192	19-3/16	70-3/8	121-5/8	172-13/16	
48/54/60	216	19-3/16	78-3/8	137-5/8	196-13/16	
48/54/60	240	19-3/16	69-5/8	120	170-7/16	220-13/16

## pricing

Model Number	Table Top Size(s)	Base Size	Stretcher Length	Price
<b>2 Bases &amp; 1 Stretcher</b>				
CF-BPS2-20-72	36 x 72	20	37 1/4	\$588
CF-BPS2-20-84	42 x 84	20	43 1/4	\$595
CF-BPS2-24-84	48 x 84	24	43 1/4	\$619
CF-BPS2-20-96	42 x 96	20	55 1/4	\$606
CF-BPS2-24-96	48 x 96	24	55 1/4	\$636
<b>3 Bases &amp; 2 Stretchers</b>				
CF-BPS3-24-120	48 x 120	24	38 1/2	\$840
CF-BPS3-24-144	48 x 144	24	50 1/2	\$850
CF-BPS3-30-144	54 x 144, 60 x 144	30	50 1/2	\$859
<b>4 Bases &amp; 3 Stretchers</b>				
CF-BPS4-24-168	48 x 168	24	40 3/4	\$952
CF-BPS4-30-168	54 x 168, 60 x 168	30	40 3/4	\$1,013
CF-BPS4-24-192	48 x 192	24	48 3/4	\$962
CF-BPS4-30-192	54 x 192, 60 x 192	30	48 3/4	\$1,023
CF-BPS4-24-216	48 x 216	24	56 3/4	\$972
CF-BPS4-30-216	54 x 216, 60 x 216	30	56 3/4	\$1,031
<b>5 Bases &amp; 4 Stretchers</b>				
CF-BPS5-24-240	48 x 240	24	48 1/4	\$1,120
CF-BPS5-30-240	54 x 240, 60 x 240	30	48.25	\$1,198

- Includes 3/4" high black kickplate and leveling glides.
- Add OP-CONF-71 for \$189 per base to upgrade kickplate to silver metallic, white or matching PVC.
- Troughs are 13.5" wide x 6.5" high, with interior clearance of 12" wide x 5.75" high.
- To place a power/data grommet over a base, add OP-CONF-NOTCH for \$514 per base.
- Not available with wire access door.
- Shipped in pieces and require assembly.



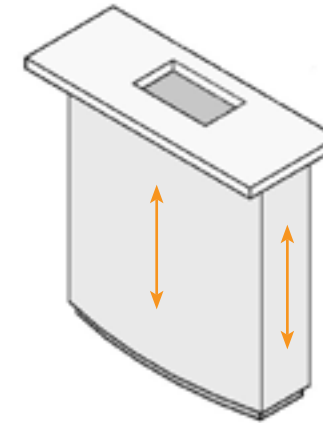
# imperial bases



## details

- constructed two of 1-1/8" thick pieces with 1/8" reveal
- recessed kickplate is 3/4" high, standard finish is black
- reveal is only available in black
- edges are 2mm PVC
- standard in HPL, TFL is not available
- all bases are sold as a set with wire management stretcher troughs between bases
- middle bases include a wire management grommet hole near top of base
- hollow construction allows wires to pass through
- 5" x 9" wire management cutout in top and bottom
- 9" deep
- 20" wide, 24" wide & 30" wide
- minimum table size: 36" x 72"
- maximum table size: 60" x 240"

## grain direction



## table tops for imperial bases

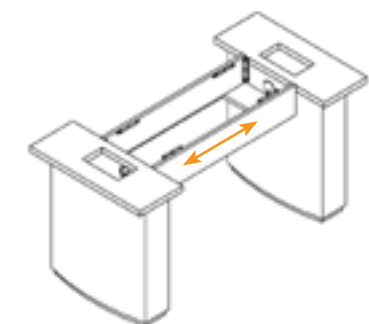


## optional kickplate colors



For silver metallic, white or matching PVC kickplate add OP-CONF-71 for \$189 per base.

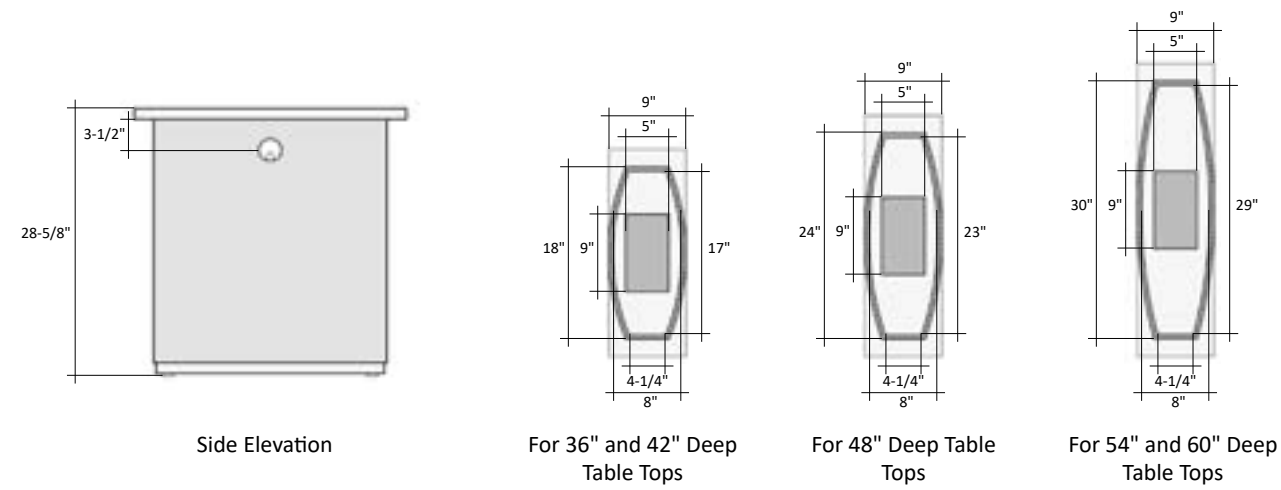
## wire management stretcher trough



Wire management stretcher troughs are 13-1/2" wide x 6-1/2" high, with interior clearance of 12" wide x 5-3/4" high.

# imperial bases

## dimensions



## base placement

rectangular, racetrack, boatshape and bow-end table tops

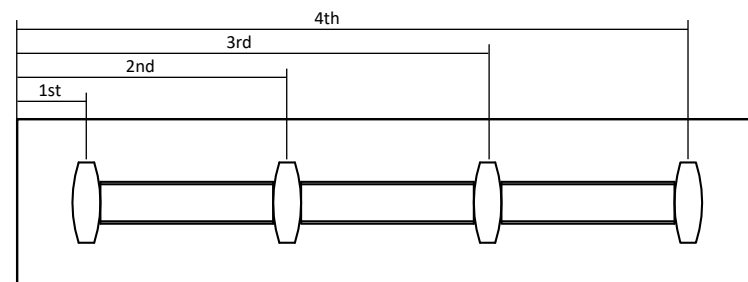


Table Depth	Table Length	Center of 1st Base	Center of 2nd Base	Center of 3rd Base	Center of 4th Base
36	72	16-1/2	55-1/2		
42/48	84	22-1/2	61-1/2		
42/48	96	22-1/2	73-1/2		
48	120	22-1/2	60	97-1/2	
48/54/60	144	22-1/2	72	121-1/2	
48/54/60	168	22-1/2	84	145-1/2	
48/54/60	192	22-1/2	71-1/2	120-1/2	169-1/2
48/54/60	216	22-1/2	79-1/2	136-1/2	193-1/2
48/54/60	240	22-1/2	87-1/2	152-1/2	217-1/2

## pricing

Model Number	Table Top Size(s)	Base Size	Stretcher Length	Price
<b>2 Bases &amp; 1 Stretcher</b>				
CF-BBT2-20-72	36 x 72	20	30	\$2,566
CF-BBT2-20-84	42 x 84	20	30	\$2,619
CF-BBT2-24-84	48 x 84	24	30	\$2,809
CF-BBT2-20-96	42 x 96	20	42	\$2,669
CF-BBT2-24-96	48 x 96	24	42	\$2,857
<b>3 Bases &amp; 2 Stretchers</b>				
CF-BBT3-24-120	48 x 120	24	28 1/2	\$4,251
CF-BBT3-24-144	48 x 144	24	40 1/2	\$4,313
CF-BBT3-30-144	54 x 144, 60 x 144	30	40 1/2	\$4,756
CF-BBT3-24-168	48 x 168	24	52 1/2	\$4,375
CF-BBT3-30-168	54 x 168, 60 x 168	30	52 1/2	\$4,820
<b>4 Bases &amp; 3 Stretchers</b>				
CF-BBT4-24-192	48 x 192	24	40	\$5,433
CF-BBT4-30-192	54 x 192, 60 x 192	30	40	\$5,992
CF-BBT4-24-216	48 x 216	24	48	\$5,492
CF-BBT4-30-216	54 x 216, 60 x 216	30	48	\$6,237
CF-BBT4-24-240	48 x 240	24	56	\$5,649
CF-BBT4-30-240	54 x 240, 60 x 240	30	56	\$6,395

- Includes 1-1/8" high black kickplate and leveling glides.
- Add OP-CONF-71 for \$189 per base to upgrade kickplate to silver metallic, white or matching PVC.
- Boatshaped bases are hollow with 5" x 9" opening at top and bottom for wire management.
- Troughs are 13.5" wide x 6.5" high, with interior clearance of 12" wide x 5.75" high.
- To place a power/data grommet over a base, add OP-CONF-NOTCH for \$514 per base.
- Shipped in pieces and require assembly.
- Not all standard TFL finishes are available in matching HPL, see page 4 for availability.

## optional wire access door

Model Number	Bases Included	Price
OP-CONF-57	for one base	\$1,058

- Door will be placed near the center of the base. Door is approximately 12" x 12".
- Also includes wire management grommet hole near top of base.

## komo bases



### details

- constructed HPL wrapped hollow cylinder
- recessed kickplate is 1-1/8" high, standard finish is black
- reveal is only available in black
- standard in HPL, TFL is not available
- hollow construction allows wires to pass through
- all bases are sold as a set with wire management stretcher troughs between bases
- middle bases include a wire management grommet hole near top of base

## offering

### cylinder



- 18" diameter, 24" diameter & 30" diameter
- 10" diameter wire management cutout in top and bottom
- round, rectangular, racetrack, boatshaped and bow-end tops only
- minimum table size: 36" x 72"
- maximum table size: 60" x 240" or 60" diameter round

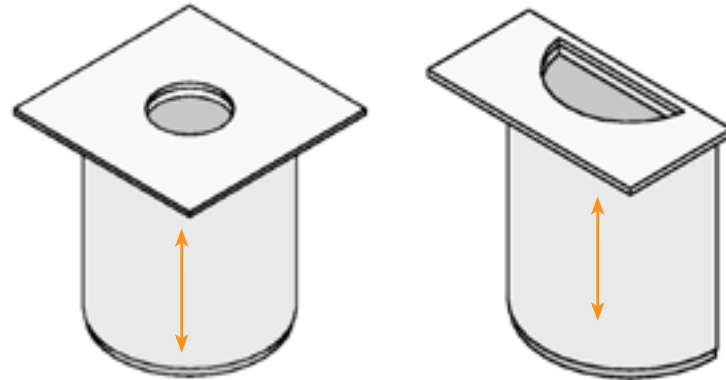
### half cylinder



- depth varies
- 18" wide, 24" wide & 30" wide
- wire management cutout in top and bottom
- rectangular, racetrack, boatshaped and bow-end tops only
- minimum table size: 42" x 84"
- maximum table size: 60" x 168"

## komo base details

### grain direction



### table tops for komo bases

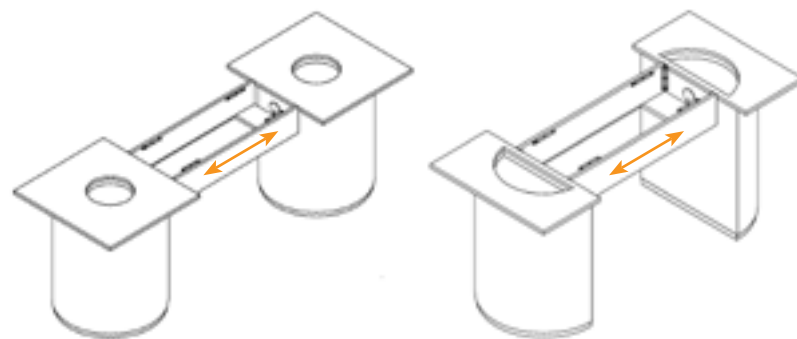


### optional kickplate colors



For silver metallic, white or matching PVC kickplate add OP-CONF-71 for \$189 per base.

### wire management stretcher trough



Wire management stretcher troughs are 13-1/2" wide x 6-1/2" high, with interior clearance of 12" wide x 5-3/4" high.

## komo base for round table tops



### pricing



Model Number	Table Top Size(s)	Base Size	Bases Included	Price
CF-BCYL-1-18	36", 42" Round	18	1	\$805
CF-BCYL-1-24	42", 48" or 54" Round	24	1	\$1,146
CF-BCYL-1-30	54" or 60" Round	30	1	\$1,338

- Includes 1-1/8" high black kickplate and leveling glides.
- Add OP-CONF-71 for \$189 per base to upgrade kickplate to silver metallic, white or matching PVC.
- Cylinder bases are hollow with 10" diameter openings at top and bottom for wire management.
- 42" round top on 18" cylinder base and 54" round top on 24" cylinder base will require additional weight (50 pounds minimum) inside the base for stability and to prevent tipping. Sand bags NOT provided.
- Cylinder bases should not be used with square tops.
- Not all standard TFL finishes are available in matching HPL, see page 4 for availability.

### optional wire access door

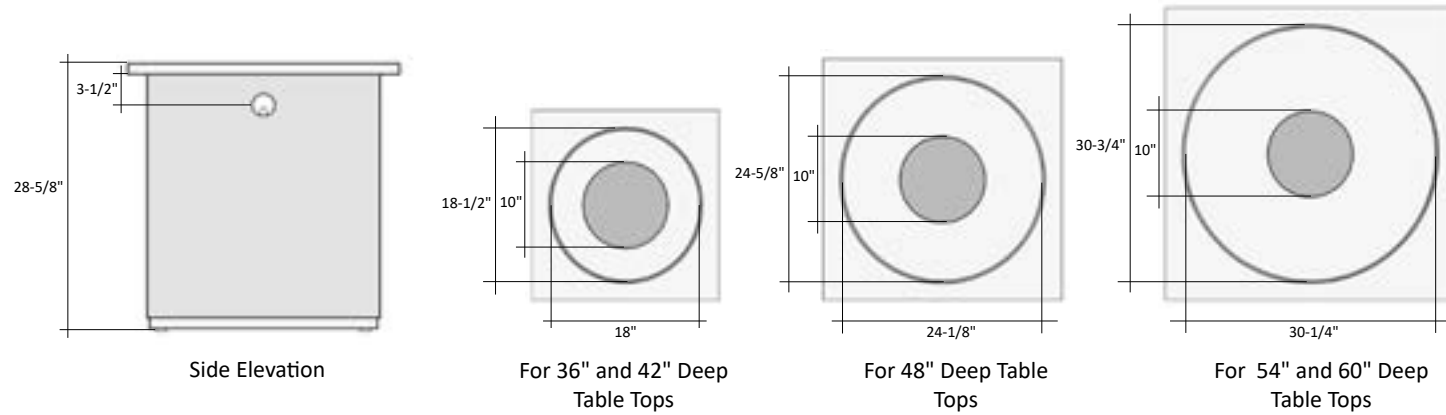


Model Number	Bases Included	Price
OP-CONF-55	for one base	\$860

- Door will be placed near the center of the base. Door is approximately 12" x 12".
- Also includes wire management grommet hole near top of base.

# komo cylinder base

## dimensions



## base placement

rectangular, racetrack, boatshape and bow-end table tops

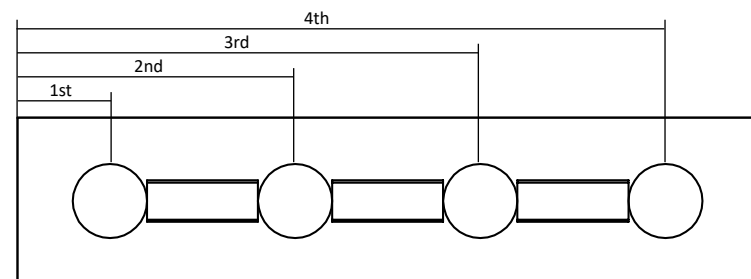


Table Depth	Table Length	Center of 1st Base	Center of 2nd Base	Center of 3rd Base	Center of 4th Base
36	72	21	51		
42	84	27	57		
42	96	27	69		
48	96	30	66		
48	120	30	90		
48	144	30	72	114	
48	168	30	84	138	
48	192	30	96	162	
48	216	30	82	134	186
48	240	30	90	150	210
54/60	144	33	72	111	
54/60	168	33	84	135	
54/60	192	33	96	159	
54/60	216	33	83	133	183
54/60	240	33	91	149	207

## pricing

Model Number	Table Top Size(s)	Base Size	Stretcher Length	Price
<b>2 Bases &amp; 1 Stretcher</b>				
CF-BCY2-18-72	36 x 72	18	12	\$1,841
CF-BCY2-18-84	42 x 84	18	12	\$1,895
CF-BCY2-18-96	42 x 96	18	24	\$1,943
CF-BCY2-24-96	48 x 96	24	12	\$2,132
CF-BCY2-24-120	48 x 120	24	36	\$2,184
<b>3 Bases &amp; 2 Stretchers</b>				
CF-BCY3-24-144	48 x 144	24	18	\$3,659
CF-BCY3-30-144	54 x 144, 60 x 144	30	9	\$4,187
CF-BCY3-24-168	48 x 168	24	30	\$3,723
CF-BCY3-30-168	54 x 168, 60 x 168	30	21	\$4,249
CF-BCY4-24-192	48 x 192	24	42	\$3,784
CF-BCY4-30-192	54 x 192, 60 x 192	30	33	\$4,311
<b>4 Bases &amp; 3 Stretchers</b>				
CF-BCY4-24-216	48 x 216	24	28	\$5,142
CF-BCY4-30-216	54 x 216, 60 x 216	30	20	\$6,056
CF-BCY4-24-240	48 x 240	24	36	\$5,299
CF-BCY4-30-240	54 x 240, 60 x 240	30	28	\$6,215

- Includes 1-1/8" high black kickplate and leveling glides.
- Add OP-CONF-71 for \$189 per base to upgrade kickplate to silver metallic, white or matching PVC.
- Cylinder bases are hollow with 10" diameter openings at top and bottom for wire management.
- 18" cylinder base and 24" cylinder base will require additional weight (50 pounds minimum) inside the base for stability and to prevent tipping. Sand bags NOT provided.
- Troughs are 13.5" wide x 6.5" high, with interior clearance of 12" wide x 5.75" high.
- To place a power/data grommet over a base, add OP-CONF-NOTCH for \$514 per base.
- Shipped in pieces and require assembly.
- Not all standard TFL finishes are available in matching HPL, see page 4 for availability.

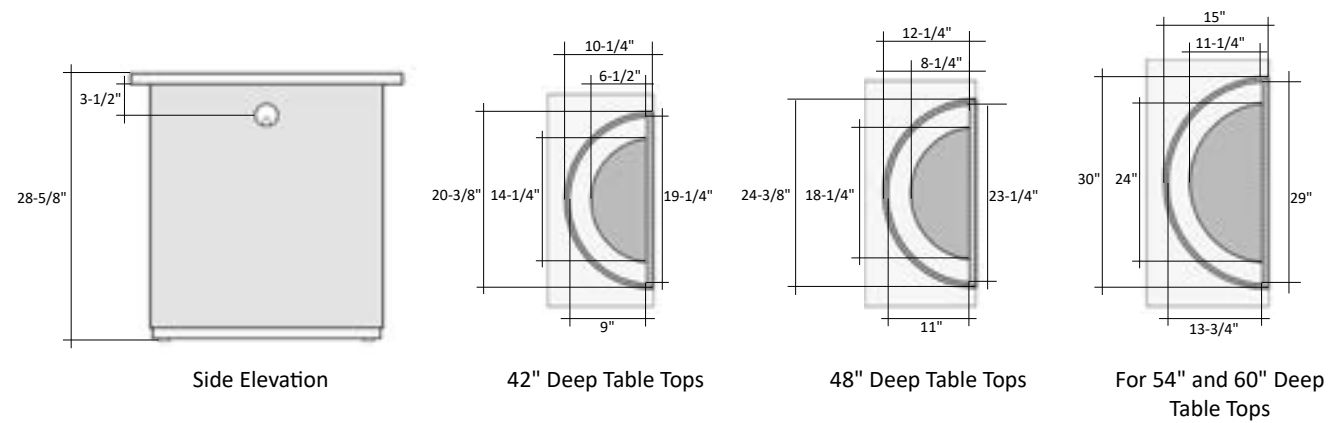
## optional wire access door

Model Number	Bases Included	Price
OP-CONF-51-OLD	for one base	\$733

- Door will be placed near the center of the base. Door is approximately 12" x 12".
- Also includes wire management grommet hole near top of base.

# komo half cylinder base

## dimensions



## base placement

rectangular, racetrack, boatshape and bow-end table tops

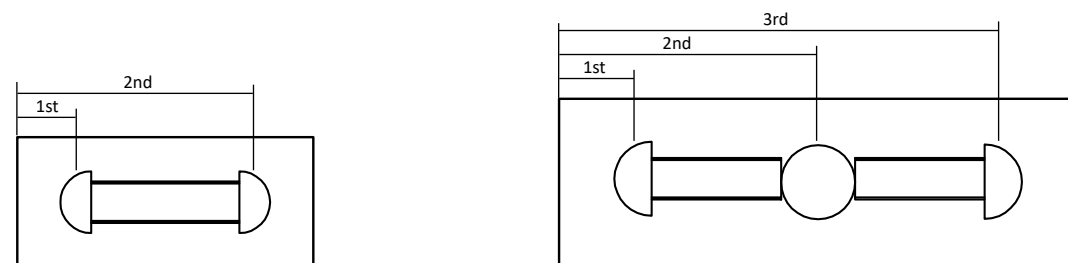


Table Depth	Table Length	Center of 1st Base	Center of 2nd Base
42	84	19	65
42	96	19	77
48	96	24	72

Table Depth	Table Length	Center of 1st Base	Center of 2nd Base	Center of 3rd Base
48	120	24	60	96
48	144	24	72	120
48	168	24	84	144
54/60	144	25-1/2	72	118-1/2
54/60	168	25-1/2	84	142-1/2

## pricing

Model Number	Table Top Size(s)	Base Size	Stretcher Length	Price
<b>2 Bases &amp; 1 Stretcher</b>				
CF-BHC2-20-84	42 x 84	20	36	\$1,895
CF-BHC2-20-96	42 x 96	20	48	\$1,943
CF-BHC2-24-96	48 x 96	24	36	\$2,127

- Includes 1-1/8" high black kickplate and leveling glides.
- Add OP-CONF-71 for \$189 per base to upgrade kickplate to silver metallic, white or matching PVC.
- Half-cylinder bases are hollow with openings at top and bottom for wire management.
- Troughs are 13.5" wide x 6.5" high, with interior clearance of 12" wide x 5.75" high.
- To place a power/data grommet over a base, add OP-CONF-NOTCH for \$514 per base.
- Shipped in pieces and require assembly.
- Not all standard TFL finishes are available in matching HPL, see page 4 for availability.

## optional wire access door

Model Number	Bases Included	Price
OP-CONF-51-OLD	for one base	\$733

- Door will be placed near the center of the base. Door is approximately 12" x 12".
- Also includes wire management grommet hole near top of base.

## pricing

Model Number	Table Top Size(s)	Base Size	Stretcher Length	Price
<b>3 Bases &amp; 2 Stretchers</b>				
CF-BCC3-24-120	48 x 120	24	18	\$2,926
CF-BCC3-24-144	48 x 144	24	30	\$3,457
CF-BCC3-30-144	54 x 144, 60 x 144	30	24	\$3,928
CF-BCC3-24-168	48 x 168	24	42	\$3,520
CF-BCC3-30-168	54 x 168, 60 x 168	30	36	\$3,990

- Tables over 168" long require full cylinder bases.
- Includes 1-1/8" high black kickplate and leveling glides.
- Add OP-CONF-71 for \$189 per base to upgrade kickplate to silver metallic, white or matching PVC.
- Bases are hollow with openings at top and bottom for wire management.
- Troughs are 13.5" wide x 6.5" high, with interior clearance of 12" wide x 5.75" high.
- To place a power/data grommet over a base, add OP-CONF-NOTCH for \$514 per base.
- Shipped in pieces and require assembly.
- Not all standard TFL finishes are available in matching HPL, see page 4 for availability.

# hermosa bases



## details

- constructed two of 1-1/8" thick pieces
- edges are 2mm PVC
- standard in TFL, HPL available at an upcharge
- solid construction, cannot route wires through
- Includes levelers
- 18" deep, 24" deep & 30" deep
- 18" wide, 24" wide & 30" wide
- minimum table size: 30" x 30"
- maximum table size: 60" x 60"

## orientation

for mounting laminate x-bases on square table tops

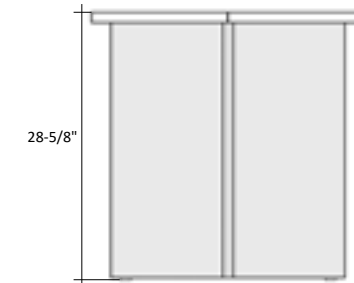


## table tops for hermosa bases

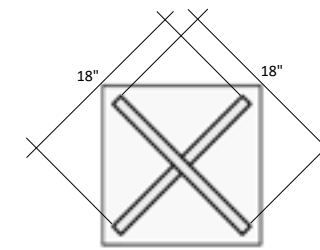


round square

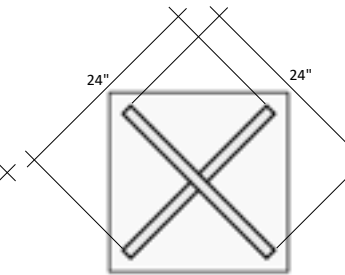
## dimensions



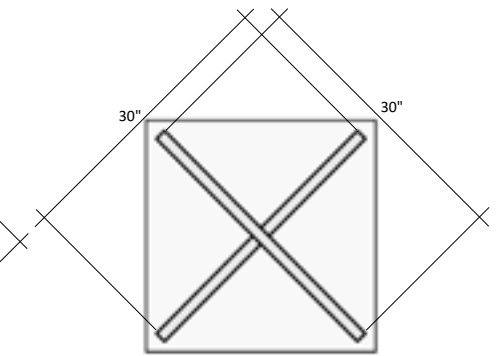
Side Elevation



For 30" Deep Table Tops

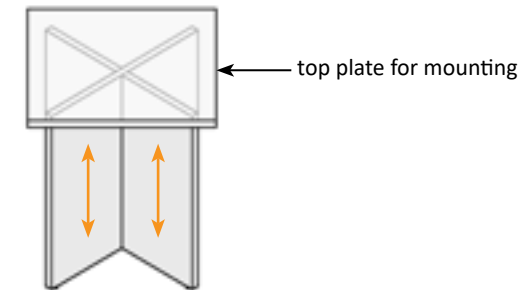


For 36", 42" and 48" Deep Table Tops



For 54" and 60" Deep Table Tops

## grain direction



## pricing

Model Number	Table Top Size(s)	Base Size	Bases Included	Price
CF-BLMX-18	30"	18	1	\$279
CF-BLMX-24	36", 42", 48"	24	1	\$323
CF-BLMX-30	54" & 60"	30	1	\$507

- Includes leveling glides.
- Not available with wire access door.

# ribbon bases

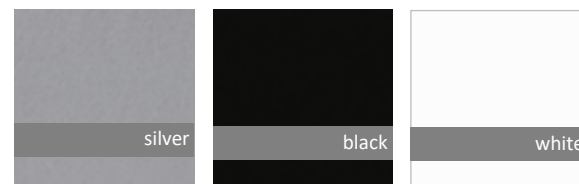


## details

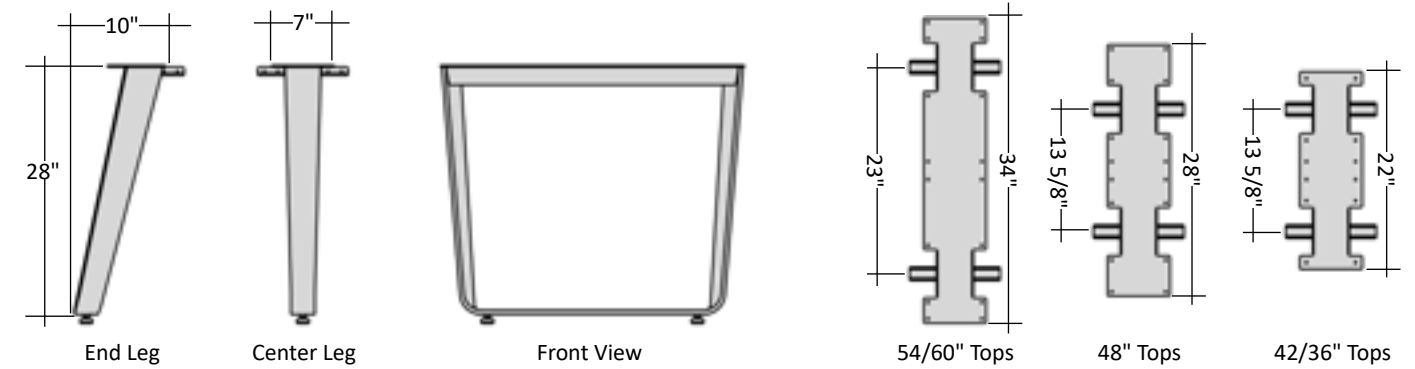
- Metal open frame support legs are sold as sets with spanning rods.
- Hairpin legs are sold in sets of 4.
- Legs are constructed of 1/2" thick x 2-1/2" deep steel frame with a powdercoat finish.
- Spanning rods are approximately 1" square steel with a silver powdercoat finish.
- Includes leveling glides. Levelers will add 3/4" in height.
- Support legs are 19" wide, 24" wide, 30" wide & 36" wide.
- Ribbon conference table bases can be completed with rectangular or boatshaped tops.
- Minimum table size: 36" x 72"; maximum table size: 60" x 240".
- Made in America.

## finishes

### standard



## dimensions

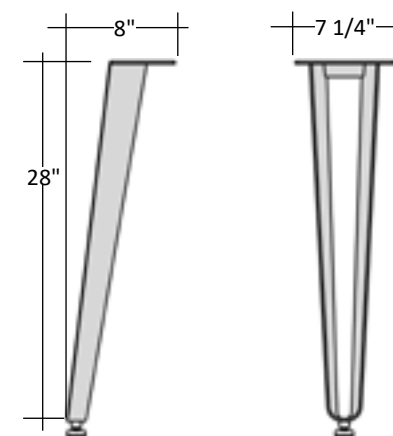


## table tops for ribbon bases

not compatible with sightline tops

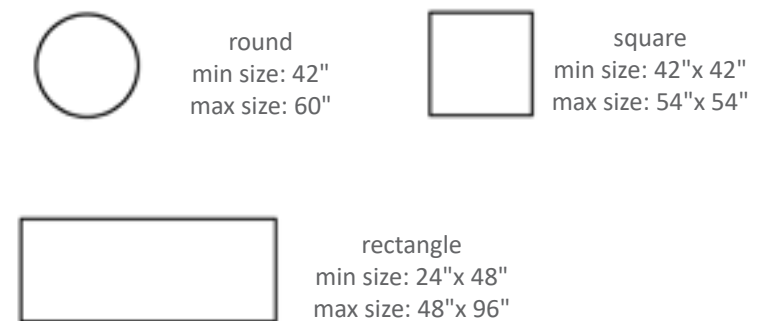


## dimensions



## table tops for hairpin legs

one piece table tops only





base placement for open frame legs

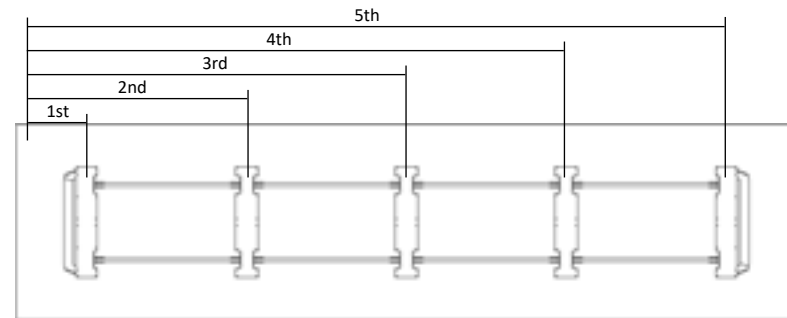
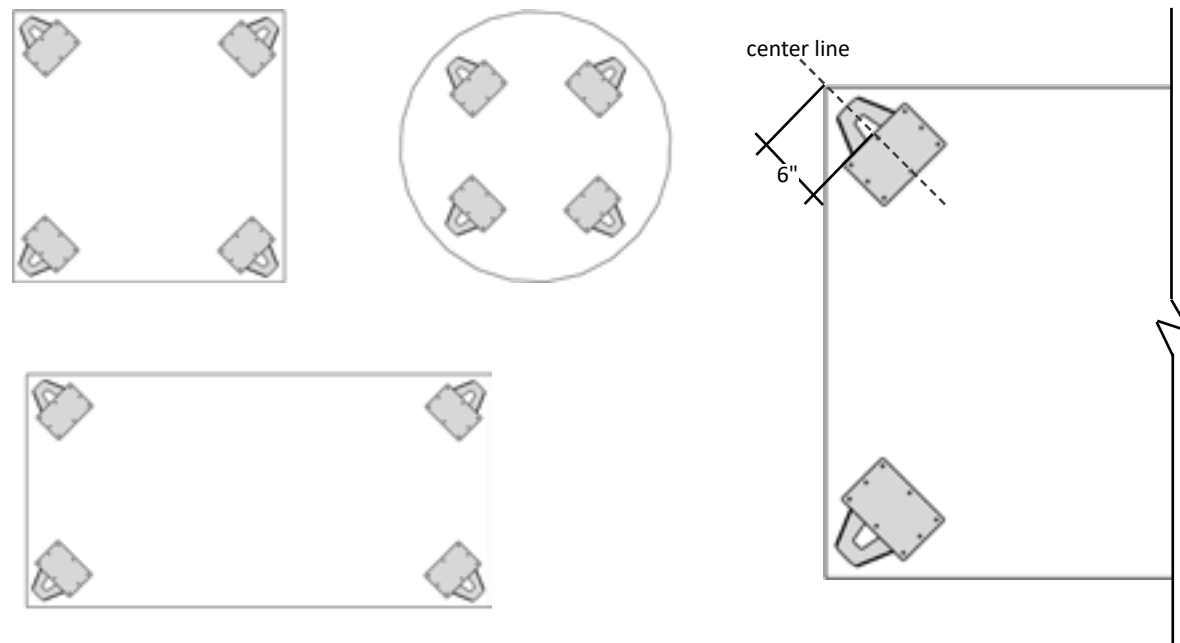
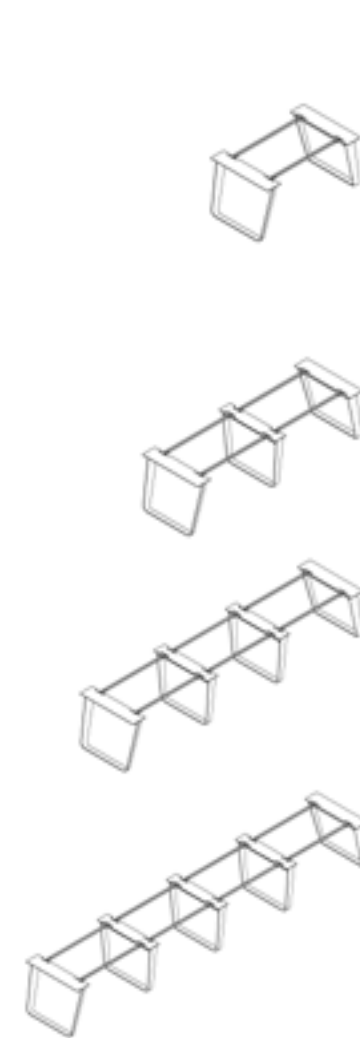


Table Depth	Table Length	Center of 1st Base	Center of 2nd Base	Center of 3rd Base	Center of 4th Base	Center of 5th Base
36	72	22 1/4	49 3/4			
42/48	84	22 1/4	61 3/4			
42/48	96	22 1/4	73 3/4			
48	120	21 3/4	60	98 1/4		
48/54/60	144	21 3/4	72	122 1/4		
48/54/60	168	22 1/4	63 1/2	104 1/2	145 3/4	
48/54/60	192	22 1/4	71 1/2	120 1/2	169 3/4	
48/54/60	216	21 3/4	65	108	151	194 1/4
48/54/60	240	21 3/4	71	120	169	218 1/4

base placement for hairpin legs



loop leg conference table sets



Model Number	Table Top Size	Base Size	Spanning Rod Length	Price
<b>2 Bases &amp; 2 Spanning Rods</b>				
RB-ULG1-22-72-??	36 x 72	22	28	\$3,686
RB-ULG1-22-84-??	42 x 84	22	34	\$3,738
RB-ULG1-28-84-??	48 x 84	28	34	\$4,118
RB-ULG1-22-96-??	42 x 96	22	46	\$3,770
RB-ULG1-28-96-??	48 x 96	28	46	\$4,118
<b>3 Bases &amp; 4 Spanning Rods</b>				
RB-ULG1-28-120-??	48 x 120	28	33	\$6,214
RB-ULG1-28-144-??	48 x 144	28	45	\$6,298
RB-ULG1-34-144-??	54 x 144, 60 x 144	34	45	\$6,298
<b>4 Bases &amp; 6 Spanning Rods</b>				
RB-ULG1-28-168-??	48 x 168	28	37 3/8	\$8,390
RB-ULG1-34-168-??	54 x 168, 60 x 168	34	37 3/8	\$8,390
RB-ULG1-28-192-??	48 x 192	28	44 3/4	\$8,390
RB-ULG1-34-192-??	54 x 192, 60 x 192	34	44 3/4	\$8,480
<b>5 Bases &amp; 8 Spanning Rods</b>				
RB-ULG1-28-216-??	48 x 216	28	37 5/8	\$10,598
RB-ULG1-34-216-??	54 x 216, 60 x 216	34	37 5/8	\$10,598
RB-ULG1-28-240-??	48 x 240	28	44 5/8	\$10,662
RB-ULG1-34-240-??	54 x 240, 60 x 240	34	44 5/8	\$10,662

- Includes leveling glides.
- Legs are constructed of solid steel frame with a powdercoat finish.
- Spanning rods are approximately 1" square steel with a powdercoat finish.
- Dimensions are nominal.
- To order, replace "??" with "SV" for silver. "BK" for black and "WT" for white finish.

hairpin leg set



Model Number	Max Table Top Size	Base Height	Legs Included	Price
RB-RPST-SET-??	48 x 96	28	4	\$3,576

- Includes leveling glides.
- Legs are constructed of solid steel frame with a powdercoat finish.
- Dimensions are nominal.
- To order, replace "??" with "SV" for silver. "BK" for black and "WT" for white finish.

# surfside bases

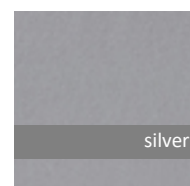


## details

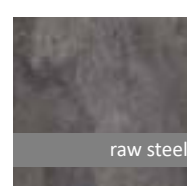
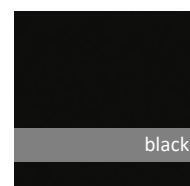
- Metal open frame support legs are sold as sets with spanning rods.
- Legs are constructed of 1" thick x 2-1/2" deep steel frame with a silver powdercoat finish.
- Spanning rods are approximately 1" square steel with a powdercoat finish.
- Includes leveling glides. Levelers will add 3/4" in height.
- Metal open frame support legs are sold as sets with spanning rods.
- 19" wide, 24" wide, 30" wide & 36" wide
- rectangular, racetrack, boatshaped and bow-end tops
- minimum table size: 36" x 72"; maximum table size: 60" x 240"

## finishes

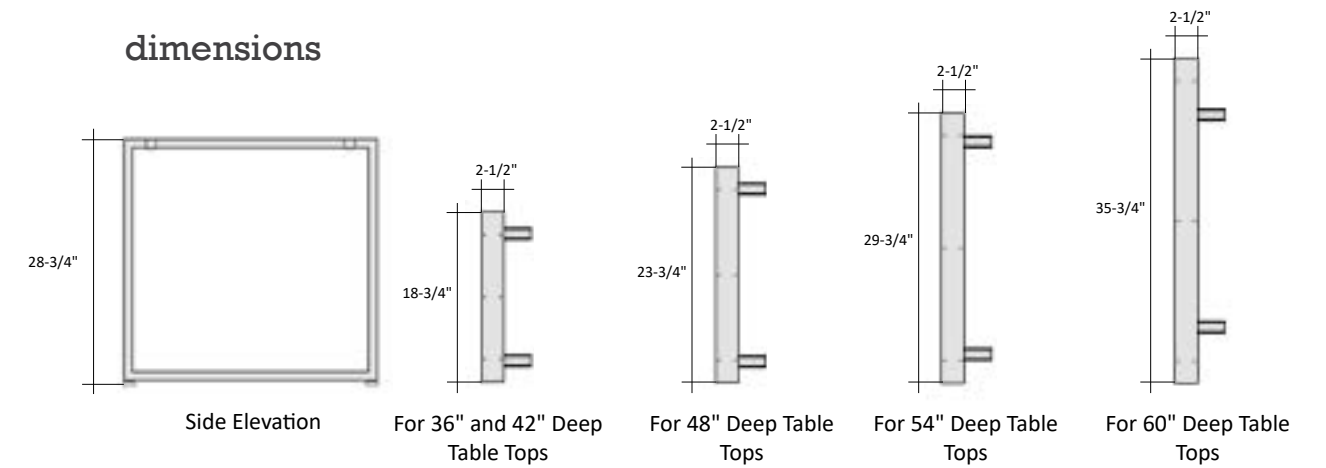
### standard



### premium - 10% upcharge (OP-COLOR)



## dimensions



## table tops for surfside bases



## base placement

rectangular, racetrack, boatshape and bow-end table tops

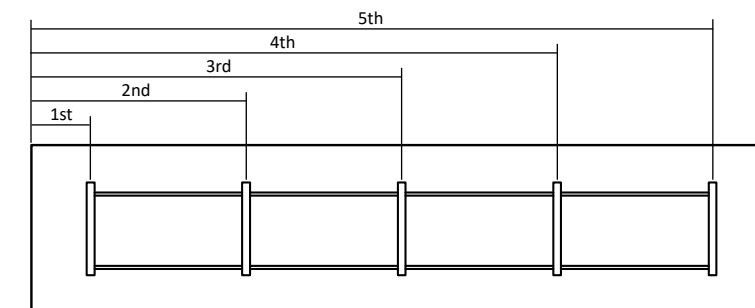


Table Depth	Table Length	Center of 1st Base	Center of 2nd Base	Center of 3rd Base	Center of 4th Base	Center of 5th Base
36	72	16-1/4	55-3/4			
42/48	84	19-1/4	64-3/4			
42/48	96	19-1/4	79-3/4			
48	120	19-1/4	60	100-3/4		
48/54/60	144	19-1/4	72	124-3/4		
48/54/60	168	19-1/4	62-7/16	105-9/16	148-3/4	
48/54/60	192	19-1/4	70-7/16	121-9/16	172-3/4	
48/54/60	216	19-1/4	63-5/8	108	152-3/8	196-3/4
48/54/60	240	19-1/4	69-5/8	120	170-3/8	220-3/4

# wire management bases

surfside and sunset series



## details

- include metal mounting brackets and adjustable glides.
- hinged access doors both sides.
- edges are standard 2MM PVC edgebanding.
- rolled stainless steel can be added to the doors, edges with rolled steel finish are 2MM PVC.
- laminate wire-management bases are not available with kickplate.

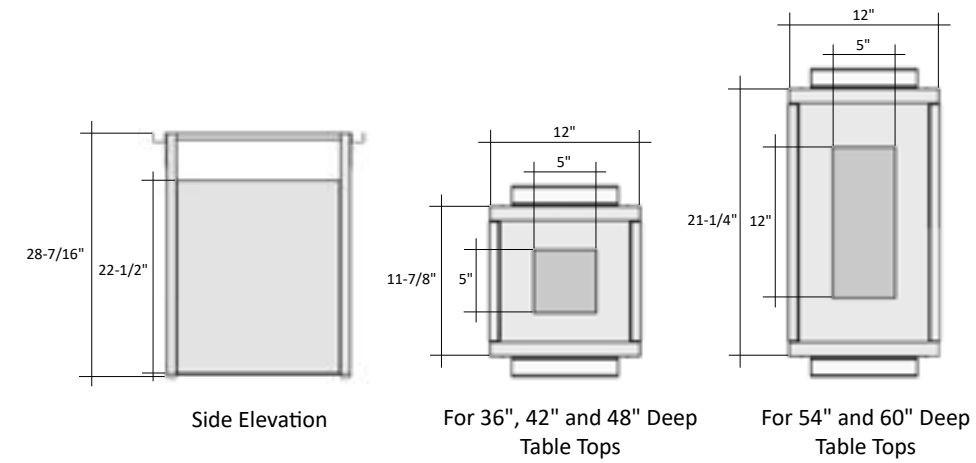
## wire management baskets



Model Number	Width	Length	Height	Price
SY-WMBT-0836	8	36	2	\$146
SY-WMBT-0842	8	42	2	\$153
SY-WMBT-0848	8	48	2	\$194
SY-WMBT-0860	8	60	2	\$215
SY-WMBT-0872	8	72	2	\$225

- Includes mounting brackets.
- Chrome finish only.

## dimensions



## base placement

rectangular, racetrack, boatshape and bow-end table tops

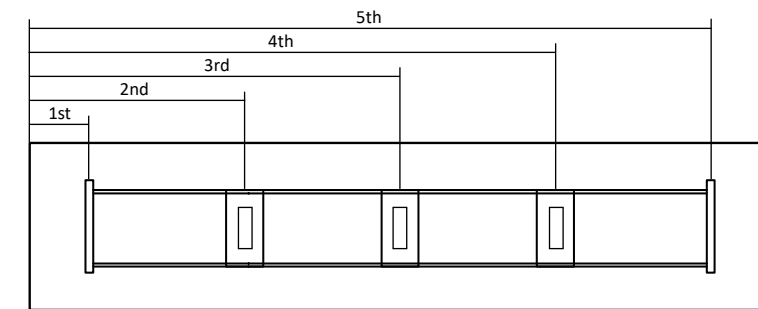


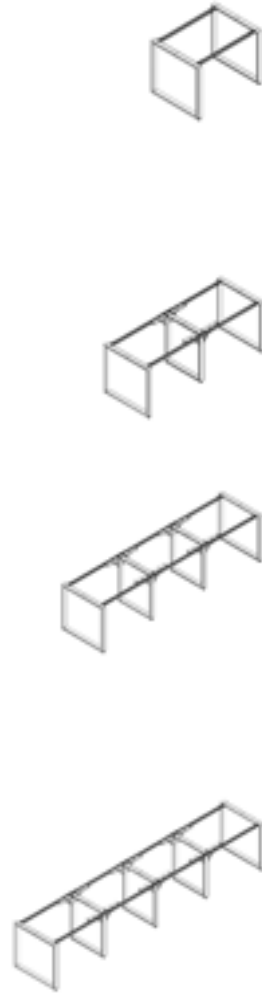
Table Depth	Table Length	Center of 1st Base	Center of 2nd Base	Center of 3rd Base	Center of 4th Base	Center of 5th Base
36	72	16-1/4	55-3/4			
42/48	84	19-1/4	64-3/4			
42/48	96	19-1/4	79-3/4			
48	120	19-1/4	60	100-3/4		
48/54/60	144	19-1/4	72	124-3/4		
48/54/60	168	19-1/4	62-7/16	105-9/16	148-3/4	
48/54/60	192	19-1/4	70-7/16	121-9/16	172-3/4	
48/54/60	216	19-1/4	63-5/8	108	152-3/8	196-3/4
48/54/60	240	19-1/4	69-5/8	120	170-3/8	220-3/4

## surfside bases

### pricing

Model Number	Table Top Size	Base Size	Spanning Rod Length	Price
<b>2 Bases &amp; 2 Spanning Rods</b>				
CF-OLG1-19-72	36 x 72	19	37	\$1,212
CF-OLG1-19-84	42 x 84	19	43	\$1,236
CF-OLG1-24-84	48 x 84	24	43	\$1,302
CF-OLG1-19-96	42 x 96	19	55	\$1,254
CF-OLG1-24-96	48 x 96	24	55	\$1,320
<b>3 Bases &amp; 4 Spanning Rods</b>				
CF-OLG1-24-120	48 x 120	24	38 1/4	\$2,129
CF-OLG1-24-144	48 x 144	24	50 1/4	\$2,169
CF-OLG1-30-144	54 x 144	30	50 1/4	\$2,297
CF-OLG1-36-144	60 x 144	36	50 1/4	\$2,433
<b>4 Bases &amp; 6 Spanning Rods</b>				
CF-OLG1-24-168	48 x 168	24	40 3/4	\$2,988
CF-OLG1-30-168	54 x 168	30	40 3/4	\$3,150
CF-OLG1-36-168	60 x 168	36	40 3/4	\$3,322
CF-OLG1-24-192	48 x 192	24	48 3/4	\$3,018
CF-OLG1-30-192	54 x 192	30	48 3/4	\$3,180
CF-OLG1-36-192	60 x 192	36	48 3/4	\$3,352
<b>5 Bases &amp; 8 Spanning Rods</b>				
CF-OLG1-24-216	48 x 216	24	41 3/4	\$3,831
CF-OLG1-30-216	54 x 216	30	41 3/4	\$4,027
CF-OLG1-36-216	60 x 216	36	41 3/4	\$4,235
CF-OLG1-24-240	48 x 240	24	47 3/4	\$3,871
CF-OLG1-30-240	54 x 240	30	47 3/4	\$4,067
CF-OLG1-36-240	60 x 240	36	47 3/4	\$4,275

- Includes leveling glides.
- Legs are constructed of 1" thick x 2-1/2" deep steel frame with a silver powdercoat finish.
- Spanning rods are approximately 1" square steel with a powdercoat finish.
- Dimensions are nominal.

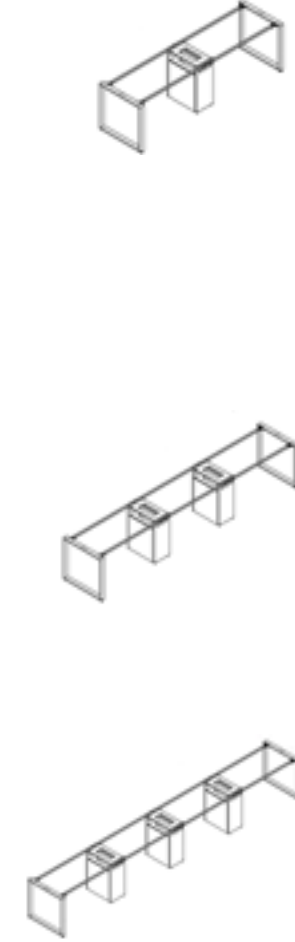


## surfside with wire management base

### pricing

Model Number	Table Top Size	Base Size	Spanning Rod Length	Price
<b>3 Bases &amp; 4 Spanning Rods</b>				
CF-OLGW-19-72	36 x 72	19	18 1/2	\$2,359
CF-OLGW-19-84	42 x 84	19	21 1/2	\$2,367
CF-OLGW-24-84	48 x 84	24	21 1/2	\$2,433
CF-OLGW-19-96	42 x 96	19	27 1/2	\$2,383
CF-OLGW-24-96	48 x 96	24	27 1/2	\$2,449
CF-OLGW-24-120	48 x 120	24	39 1/2	\$2,569
CF-OLGW-24-144	48 x 144	24	51 1/2	\$2,609
CF-OLGW-30-144	54 x 144	30	51 1/2	\$2,817
CF-OLGW-36-144	60 x 144	36	51 1/2	\$2,917
<b>4 Bases &amp; 6 Spanning Rods</b>				
CF-OLGW-24-168	48 x 168	24	43	\$3,868
CF-OLGW-30-168	54 x 168	30	43	\$4,190
CF-OLGW-36-168	60 x 168	36	43	\$4,290
CF-OLGW-24-192	48 x 192	24	50 1/4	\$3,904
CF-OLGW-30-192	54 x 192	30	50 1/4	\$4,226
CF-OLGW-36-192	60 x 192	36	50 1/4	\$4,326
<b>5 Bases &amp; 8 Spanning Rods</b>				
CF-OLGW-24-216	48 x 216	24	43 3/4	\$5,175
CF-OLGW-30-216	54 x 216	30	43 3/4	\$5,611
CF-OLGW-36-216	60 x 216	36	43 3/4	\$5,711
CF-OLGW-24-240	48 x 240	24	49 3/4	\$5,191
CF-OLGW-30-240	54 x 240	30	49 3/4	\$5,627
CF-OLGW-36-240	60 x 240	36	49 3/4	\$5,727

- Includes leveling glides.
- Legs are constructed of 1" thick x 2-1/2" deep steel frame with a silver powdercoat finish.
- Spanning rods are approximately 1" square steel with a powdercoat finish.
- Dimensions are nominal.
- Wire management bases include metal mounting brackets and adjustable glides.
- Wire management bases include hinged access doors both sides.
- Edges of wire management bases are DeskMakers standard 2MM PVC edgebanding.
- For rolled stainless steel to the doors only, add SY-OPTN-BOX-STL for \$763. Edges with rolled steel finish are 2MM PVC.
- Laminate wire-management bases are not available with kickplate.



# sunset bases

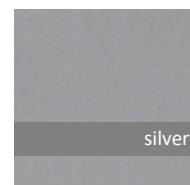


## details

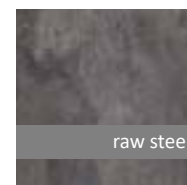
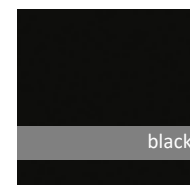
- Metal A-frame support legs are sold as sets with spanning rods.
- Legs are constructed of 1" thick x 2-1/2" deep steel frame with a silver powdercoat finish.
- Spanning rods are approximately 1" square steel with a powdercoat finish.
- Includes leveling glides. Levelers will add 3/4" in height.
- Metal open frame support legs are sold as sets with spanning rods.
- 19" wide, 24" wide, 30" wide & 36" wide
- rectangular, racetrack, boatshaped and bow-end tops
- minimum table size: 36" x 72"; maximum table size: 60" x 240"

## finishes

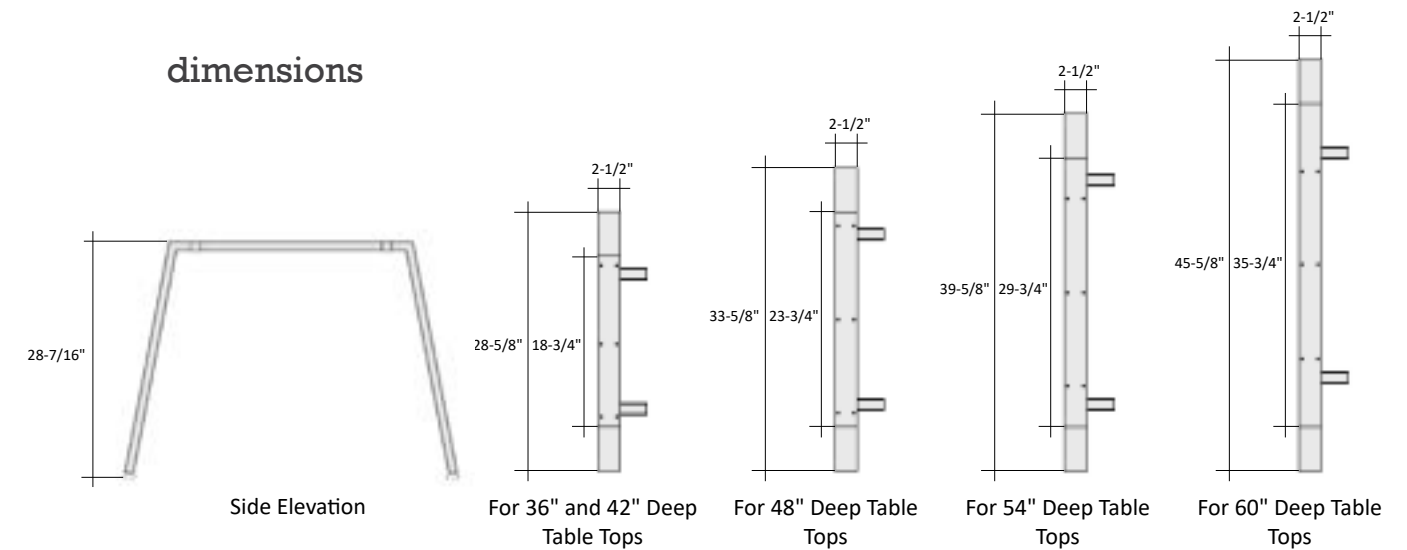
### standard



### premium - 10% upcharge (OP-COLOR)



## dimensions



## table tops for sunset bases



## base placement

rectangular, racetrack, boatshape and bow-end table tops

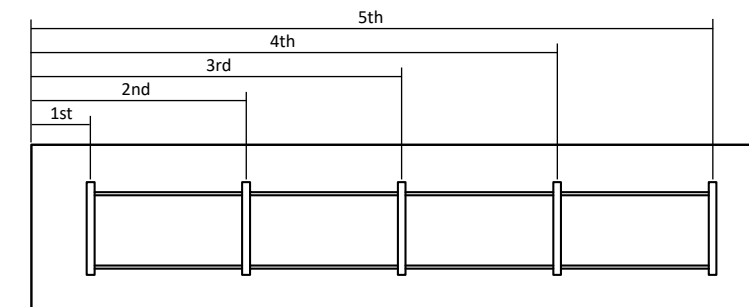


Table Depth	Table Length	Center of 1st Base	Center of 2nd Base	Center of 3rd Base	Center of 4th Base	Center of 5th Base
36	72	16-1/4	55-3/4			
42/48	84	19-1/4	64-3/4			
42/48	96	19-1/4	79-3/4			
48	120	19-1/4	60	100-3/4		
48/54/60	144	19-1/4	72	124-3/4		
48/54/60	168	19-1/4	62-7/16	105-9/16	148-3/4	
48/54/60	192	19-1/4	70-7/16	121-9/16	172-3/4	
48/54/60	216	19-1/4	63-5/8	108	152-3/8	196-3/4
48/54/60	240	19-1/4	69-5/8	120	170-3/8	220-3/4

## sunset bases

### pricing

Model Number	Table Top Size	Base Size	Spanning Rod Length	Price
<b>2 Bases &amp; 2 Spanning Rods</b>				
CF-ALG1-29-72	36 x 72	19/29	37	\$1,032
CF-ALG1-29-84	42 x 84	19/29	43	\$1,056
CF-ALG1-34-84	48 x 84	24/34	43	\$1,080
CF-ALG1-29-96	42 x 96	19/29	55	\$1,080
CF-ALG1-34-96	48 x 96	24/34	55	\$1,098
<b>3 Bases &amp; 4 Spanning Rods</b>				
CF-ALG1-34-120	48 x 120	24/34	38 1/4	\$1,801
CF-ALG1-34-144	48 x 144	24/34	50 1/4	\$1,841
CF-ALG1-40-144	54 x 144	30/40	50 1/4	\$1,875
CF-ALG1-46-144	60 x 144	36/46	50 1/4	\$1,917
<b>4 Bases &amp; 6 Spanning Rods</b>				
CF-ALG1-34-168	48 x 168	24/34	40 3/4	\$2,554
CF-ALG1-40-168	54 x 168	30/40	40 3/4	\$2,598
CF-ALG1-46-168	60 x 168	36/46	40 3/4	\$2,658
CF-ALG1-34-192	48 x 192	24/34	48 3/4	\$2,584
CF-ALG1-40-192	54 x 192	30/40	48 3/4	\$2,628
CF-ALG1-46-192	60 x 192	36/46	48 3/4	\$2,688
<b>5 Bases &amp; 8 Spanning Rods</b>				
CF-ALG1-34-216	48 x 216	24/34	41 3/4	\$3,291
CF-ALG1-40-216	54 x 216	30/40	41 3/4	\$3,345
CF-ALG1-46-216	60 x 216	36/46	41 3/4	\$3,423
CF-ALG1-34-240	48 x 240	24/34	47 3/4	\$3,331
CF-ALG1-40-240	54 x 240	30/40	47 3/4	\$3,385
CF-ALG1-46-240	60 x 240	36/46	47 3/4	\$3,463

- Includes leveling glides.
- Legs are constructed of 1" thick x 2-1/2" deep steel frame with a silver powdercoat finish.
- Spanning rods are approximately 1" square steel with a powdercoat finish.
- Dimensions are nominal.



## sunset with wire management base

### pricing

Model Number	Table Top Size	Base Size	Spanning Rod Length	Price
<b>3 Bases &amp; 4 Spanning Rods</b>				
CF-ALGW-29-72	36 x 72	19/29	18 1/2	\$2,179
CF-ALGW-29-84	42 x 84	19/29	21 1/2	\$2,187
CF-ALGW-34-84	48 x 84	24/34	21 1/2	\$2,211
CF-ALGW-29-96	42 x 96	19/29	27 1/2	\$2,203
CF-ALGW-34-96	48 x 96	24/34	27 1/2	\$2,315
CF-ALGW-34-120	48 x 120	24/34	39 1/2	\$2,347
CF-ALGW-34-144	48 x 144	24/34	51 1/2	\$2,387
CF-ALGW-40-144	54 x 144	30/40	51 1/2	\$2,525
CF-ALGW-46-144	60 x 144	36/46	51 1/2	\$2,549
<b>4 Bases &amp; 6 Spanning Rods</b>				
CF-ALGW-34-168	48 x 168	24/34	43	\$3,646
CF-ALGW-40-168	54 x 168	30/40	43	\$3,898
CF-ALGW-46-168	60 x 168	36/46	43	\$3,922
CF-ALGW-34-192	48 x 192	24/34	50 1/4	\$3,682
CF-ALGW-40-192	54 x 192	30/40	50 1/4	\$3,934
CF-ALGW-46-192	60 x 192	36/46	50 1/4	\$3,958
<b>5 Bases &amp; 8 Spanning Rods</b>				
CF-ALGW-34-216	48 x 216	24/34	43 3/4	\$4,953
CF-ALGW-40-216	54 x 216	30/40	43 3/4	\$5,319
CF-ALGW-46-216	60 x 216	36/46	43 3/4	\$5,343
CF-ALGW-34-240	48 x 240	24/34	49 3/4	\$4,969
CF-ALGW-40-240	54 x 240	30/40	49 3/4	\$5,335
CF-ALGW-46-240	60 x 240	36/46	49 3/4	\$5,359

- Includes leveling glides.
- Legs are constructed of 1" thick x 2-1/2" deep steel frame with a silver powdercoat finish.
- Spanning rods are approximately 1" square steel with a powdercoat finish.
- Dimensions are nominal.
- Wire management bases include metal mounting brackets and adjustable glides.
- Wire management bases include hinged access doors both sides.
- Edges of wire management bases are DeskMakers standard 2MM PVC edgebanding.
- For rolled stainless steel to the doors only, add SY-OPTN-BOX-STL for \$763. Edges with rolled steel finish are 2MM PVC.
- Laminate wire-management bases are not available with kickplate.



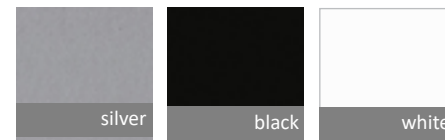
# beacon base



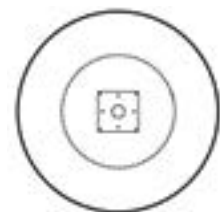
## details

- tables tops are sold separately
- 3" diameter column on 20" base, 4" diameter column on 24" and 32"
- glides have 1/8" adjustability and raise the base 1/4" above the floor
- top and bottom plates are bolted to column, field assembly required
- powdercoat finish
- available in occasional, desk and standing heights

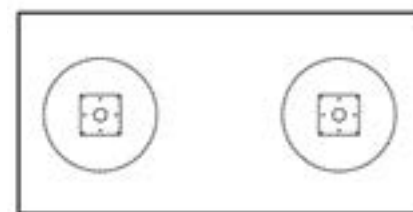
## finishes



## table tops for use with beacon bases

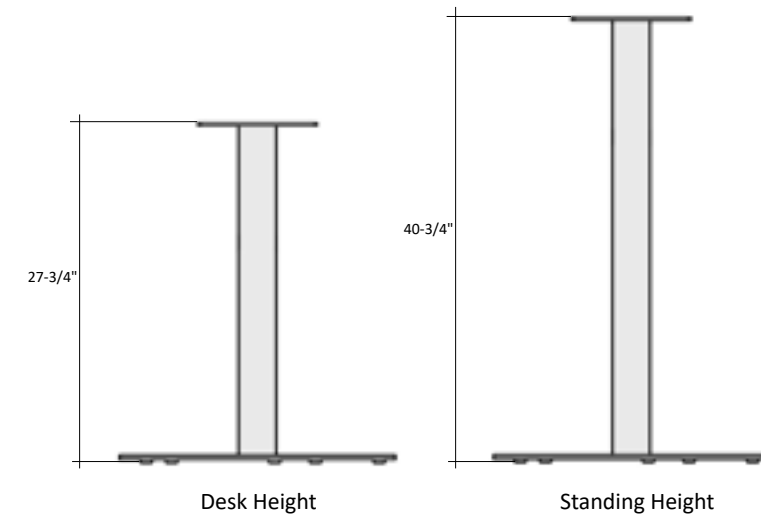
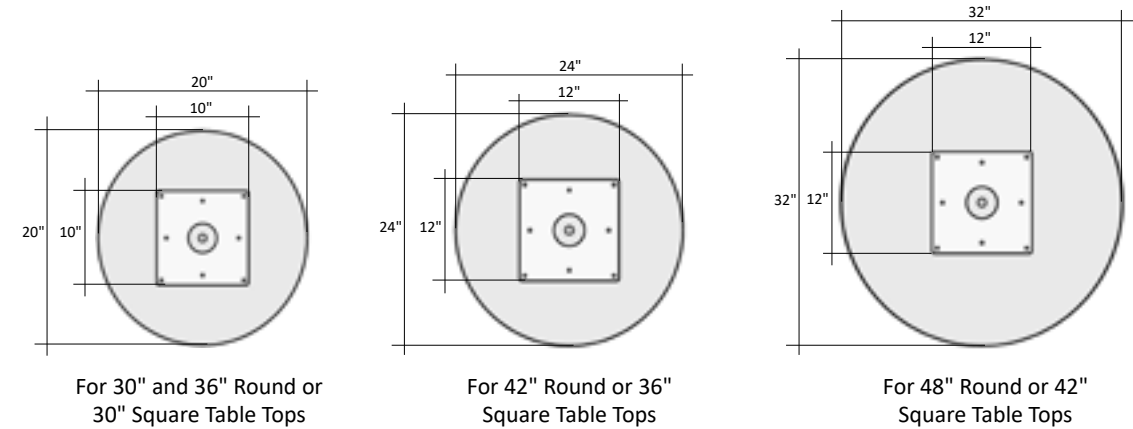


Maximum 48" Round Table Top



Maximum 48" x 96" one piece Table Top

## dimensions

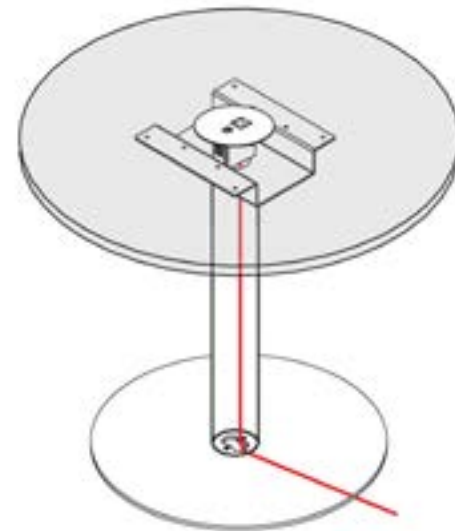


## pricing

Model Number	Table Top Size	Base Height	Base Size	Bases Included	Price
<b>Desk Height</b>					
CF-RDDK-01-20-??	30" or 36" round or 30" square	27 3/4	20	1	\$944
CF-RDDK-01-24-??	42" round or 36" square	27 3/4	24	1	\$1,001
CF-RDDK-01-32-??	48" round or 42" square	27 3/4	32	1	\$1,305
<b>Standing Height</b>					
CF-RDDK-05-20-??	30" or 36" round or 30" square	40 3/4	20	1	\$1,074
CF-RDDK-05-24-??	42" round or 36" square	40 3/4	24	1	\$1,131
CF-RDDK-05-32-??	48" round or 42" square	40 3/4	32	1	\$1,320

- Includes leveling glides.
- To order, replace "??" with SV for Silver, BK for Black or WT for White finish.

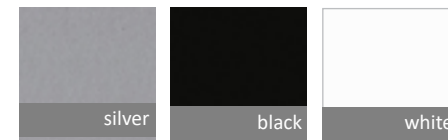
# beacon power base



## details

- tables tops are sold separately
- allows cords to pass through the base and exit at the bottom underneath the disc base
- 3" diameter column on 20" base, 4" diameter column on 24" and 32"
- top plate allows for centered power grommet
- glides have 1/8" adjustability and raise the base 1/4" above the floor
- top and bottom plates are bolted to column, field assembly required
- powdercoat finish
- available in occasional, desk and standing heights

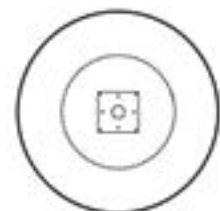
## finishes



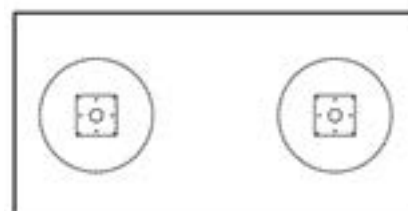
## compliant electrical units

- AC-ELV1-01
- AC-ELV1-01-USB
- AC-ELV1-07
- AC-ELV1-07-USB
- AC-ELCV-1RND
- AC-ELCV-2RND
- All AC-ELCV-?? units, except AC-ELCV-MINI
- AC-PWRG-02
- AC-PWRG-06

## table tops for use with beacon bases

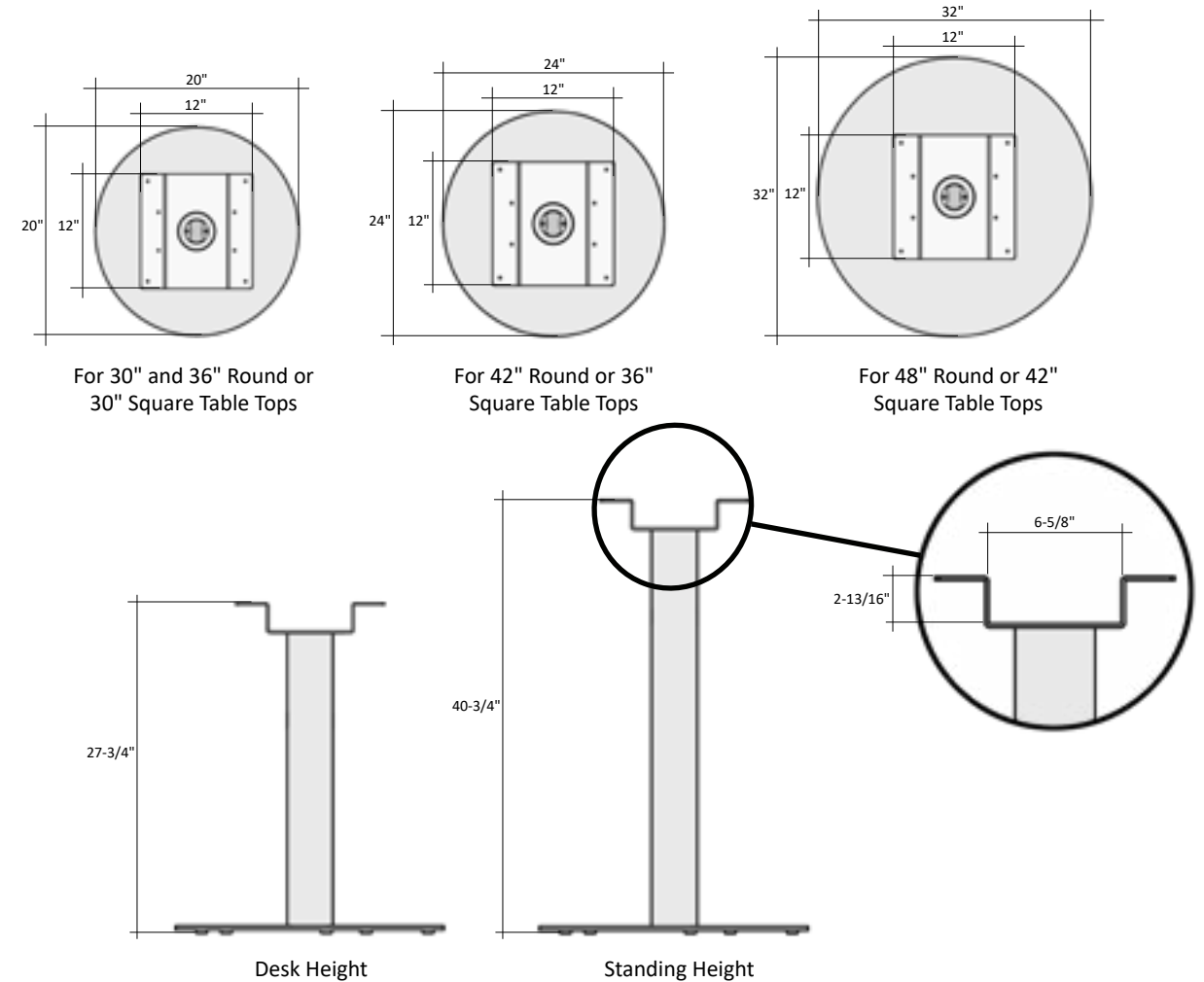


Maximum 48" Round Table Top



Maximum 48" x 96" one piece Table Top

## dimensions



## pricing

Model Number	Table Top Size	Base Height	Base Size	Bases Included	Price
<b>Desk Height</b>					
CF-RDDK-EL01-20-??	24", 30" or 36" round or 24" or 30" square	27 3/4	20	1	\$1,231
CF-RDDK-EL01-24-??	42" round or 36" square	27 3/4	24	1	\$1,287
CF-RDDK-EL01-32-??	48" round or 42" square	27 3/4	32	1	\$1,477
<b>Standing Height</b>					
CF-RDDK-EL05-20-??	24", 30" or 36" round or 24" or 30" square	40 3/4	20	1	\$1,359
CF-RDDK-EL05-24-??	42" round or 36" square	40 3/4	24	1	\$1,416
CF-RDDK-EL05-32-??	48" round or 42" square	40 3/4	32	1	\$1,606

- Includes leveling glides.
- To order, replace "??" with SV for Silver, BK for Black or WT for White finish.



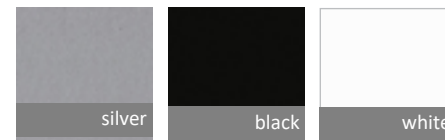
# mission base



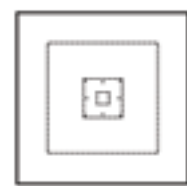
## details

- tables tops are sold separately
- 3" x 3" square column
- top and bottom plates are bolted to column, field assembly required
- glides have 1/8" adjustability and raise the base 1/4" above the floor
- powdercoat finish
- available in occasional, desk and standing heights

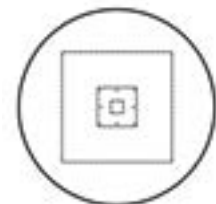
## finishes



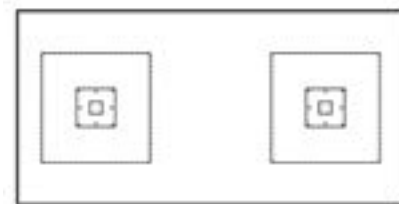
## table tops for use with mission bases



Maximum 42" Square Table Top

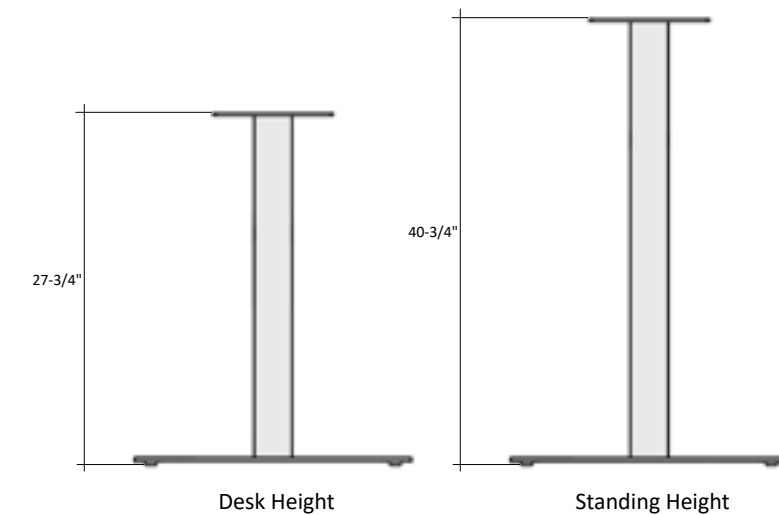
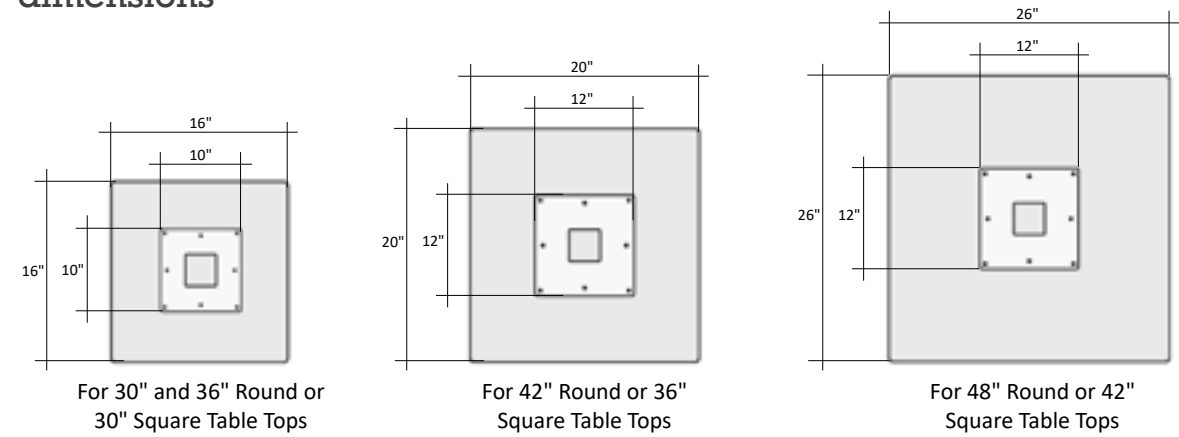


Maximum 48" Round Table Top



Maximum 48" x 96" one piece Table Top

## dimensions



## pricing

Model Number	Table Top Size	Base Height	Base Size	Bases Included	Price
<b>Desk Height</b>					
CF-SQDK-01-16-??	24", 30" or 36" round or 24" or 30" square	27 3/4	16	1	\$944
CF-SQDK-01-20-??	42" round or 36" square	27 3/4	20	1	\$1,001
CF-SQDK-01-26-??	48" round or 42" square	27 3/4	26	1	\$1,191
<b>Standing Height</b>					
CF-SQDK-05-16-??	24", 30" or 36" round or 24" or 30" square	40 3/4	16	1	\$1,073
CF-SQDK-05-20-??	42" round or 36" square	40 3/4	20	1	\$1,130
CF-SQDK-05-26-??	48" round or 42" square	40 3/4	26	1	\$1,320

- Includes leveling glides.  
 - To order, replace "??" with SV for Silver, BK for Black or WT for White finish.

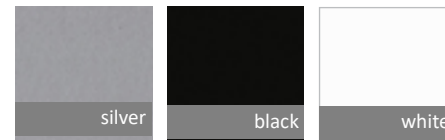
# newport base



## details

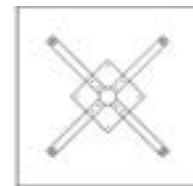
- 3" diameter column and feet are 1-7/8" diameter
- fully welded construction of top plate to column
- x-base is bolted to column, field assembly required
- glides have 3/8" long stem
- 14 gauge tube steel with 25% recycled content
- powdercoat finish
- available in desk and standing heights

## finishes



## orientation

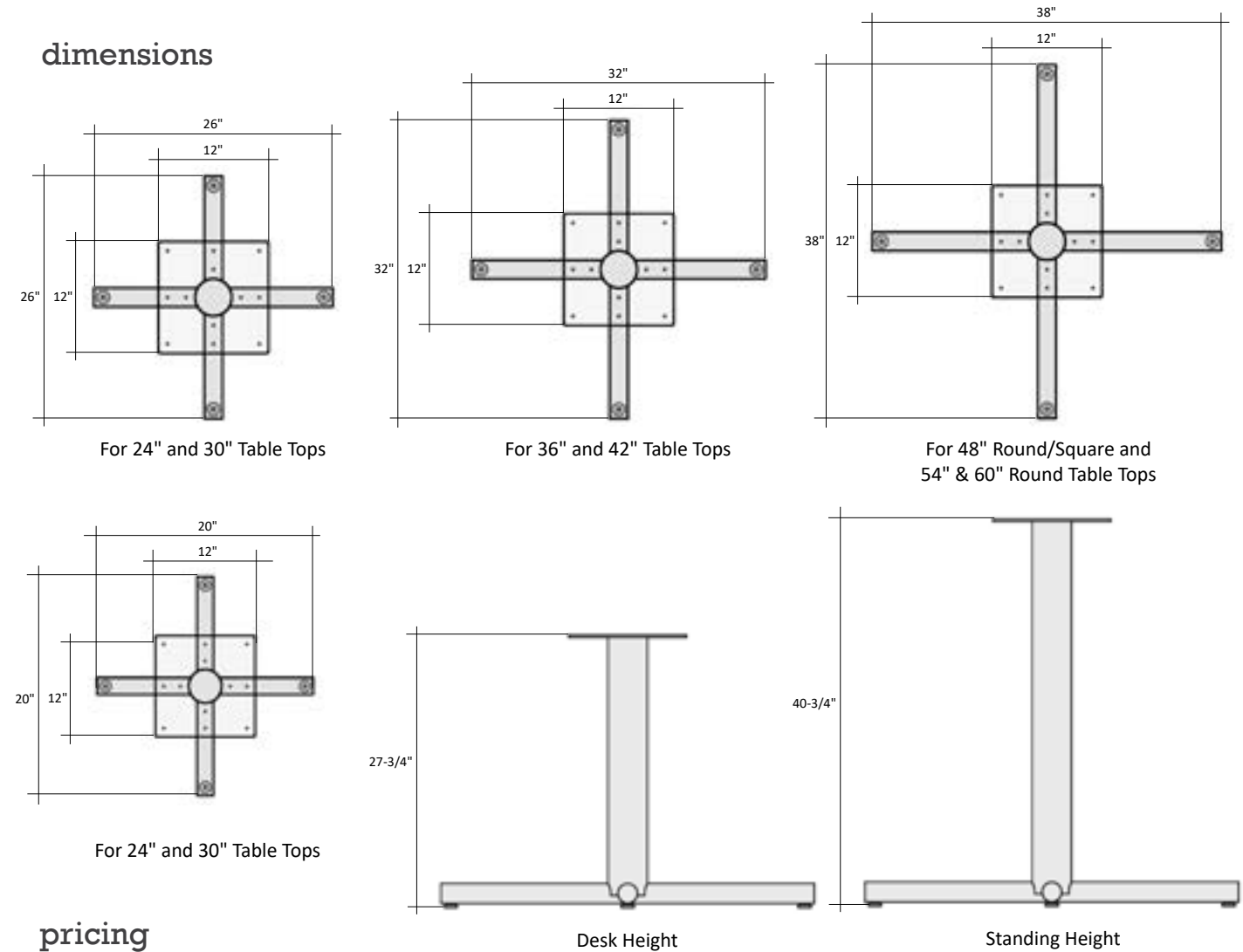
for mounting x-bases on square table tops



## table tops for newport x-bases



## dimensions



## pricing

Model Number	Table Top Size	Base Height	Base Size	Bases Included	Silver	Black & White
<b>Desk Height</b>						
CF-BMMX-01-20-??	24" round & square	27 3/4	20	1	\$551	\$606
CF-BMMX-01-24-??	30" round & square	27 3/4	26	1	\$651	\$716
CF-BMMX-01-30-??	36" & 42" round & square	27 3/4	32	1	\$756	\$832
CF-BMMX-01-60-??	48" round & square; 54" & 60" round	27 3/4	38	1	\$782	\$861
<b>Standing Height</b>						
CF-BMMX-05-20-??	24" round & square	40 3/4	20	1	\$688	\$757
CF-BMMX-05-24-??	30" round & square	40 3/4	26	1	\$810	\$890
CF-BMMX-05-30-??	36" & 42" round & square	40 3/4	32	1	\$869	\$956
CF-BMMX-05-60-??	48" round & square; 54" & 60" round	40 3/4	38	1	\$928	\$1,021

- Includes leveling glides.  
 - To order, replace "??" with SV for Silver, BK for Black or WT for White finish.

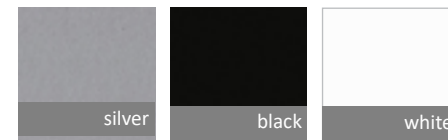
# cabrillo base



## details

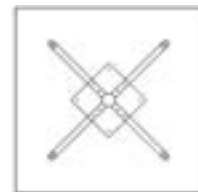
- 3" diameter column and feet are 1-1/2" diameter
- fully welded construction of top plate to column
- glides have 3/8" long stem
- 14 gauge tube steel with 25% recycled content
- powdercoat finish
- available in desk and standing heights

## finishes



## orientation

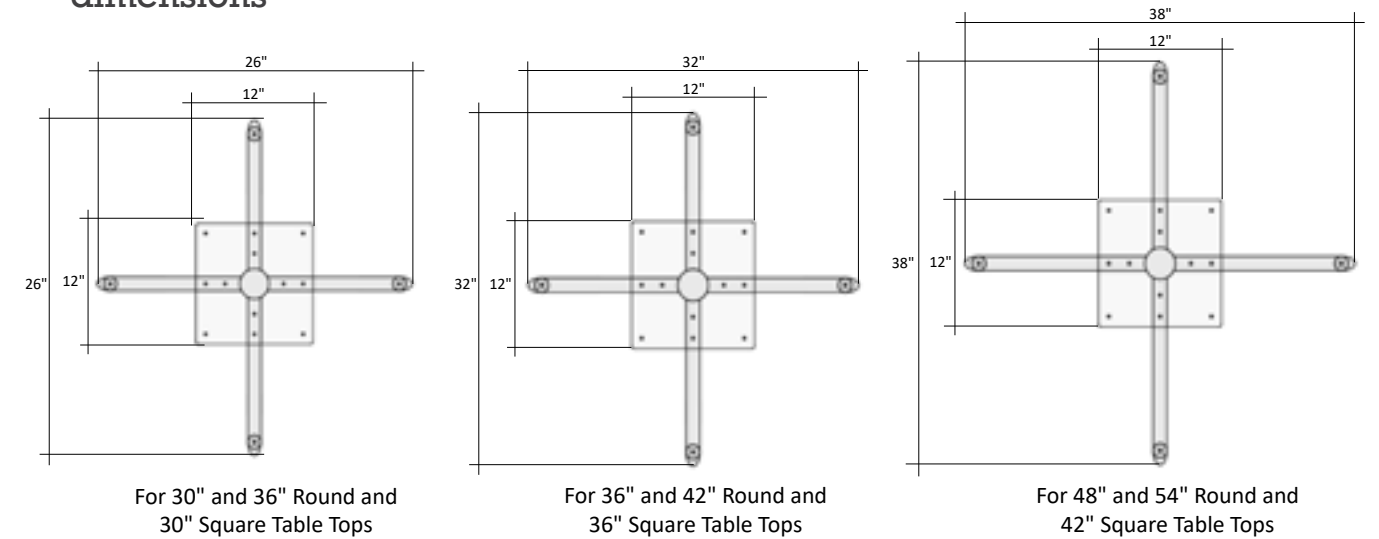
for mounting x-bases on square table tops



## table tops for cabrillo bases



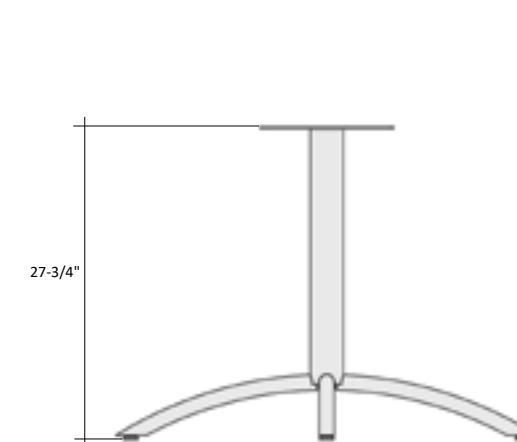
## dimensions



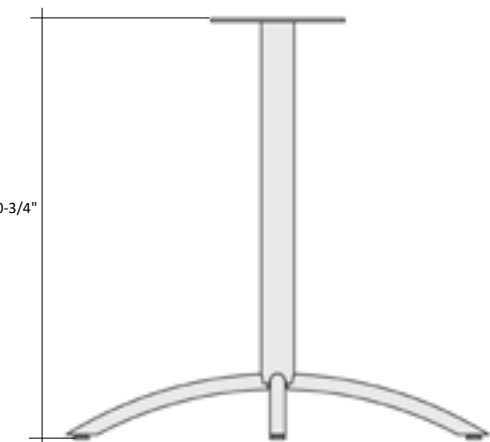
For 30" and 36" Round and 30" Square Table Tops

For 36" and 42" Round and 36" Square Table Tops

For 48" and 54" Round and 42" Square Table Tops



Desk Height



Standing Height

## pricing

Model Number	Table Top Size	Base Height	Base Size	Bases Included	Price
<b>Desk Height</b>					
CF-ARTB-00-??	30" or 36" round; 30" square	27 3/4	26	1	\$655
CF-ARTB-01-??	36" or 42" round; 36" square	27 3/4	32	1	\$744
CF-ARTB-02-??	48" or 54" round; 42" square	27 3/4	38	1	\$826
<b>Standing Height</b>					
CF-ARTB-04-??	30" or 36" round; 30" square	40 3/4	26	1	\$782
CF-ARTB-05-??	36" or 42" round; 36" square	40 3/4	32	1	\$870
CF-ARTB-06-??	48" or 54" round; 42" square	40 3/4	38	1	\$953

- Includes leveling glides.  
 - To order, replace "??" with SV for Silver, BK for Black or WT for White finish.

# venice bases

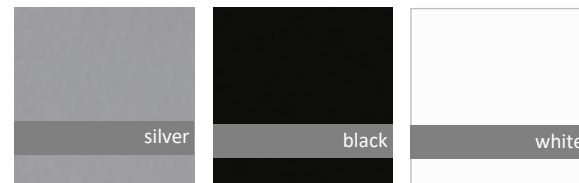


## details

- 2-1/4" diameter steel column and feet are cast aluminum
- fully welded construction of top plate to column
- aluminum feet are bolted to steel column, field assembly required
- glides have 3/4" long stem
- 13 gauge tube steel

## finishes

standard - powdercoat



Cast aluminum feet are and aluminum horizontal stretchers are polished/brushed aluminum.

Tables can have a multifinish look combining powdercoat columns or feet with polished/brushed column or feet. Contact quoting department for pricing.

# offering

## x-base



- 2-1/4" column
- 27-3/4" high and 40-3/4" without table top
- maximum table size: 54" diameter or 42" square

## power grommet x-base



- 2-1/4" column
- 27-3/4" high without table top
- maximum table size: 54" diameter or 42" square
- top plate allows for centered power grommet

## 4 post x-base



- (4) 2-1/4" columns
- 27-3/4" high without table top
- maximum table size: 60" diameter or 54" square

## y-base



- 2-1/4" column
- 27-3/4" high without table top
- maximum table size: 48" x 96"
- metal stretcher included

## extended y-base



- (2) 2-1/4" columns
- 27-3/4" high without table top
- maximum table size: 60" x 240"
- metal stretchers included

## double t-base



- (2) 2-1/4" columns
- 27-3/4" high without table top
- maximum table size: 60" x 240"

# venice x-base

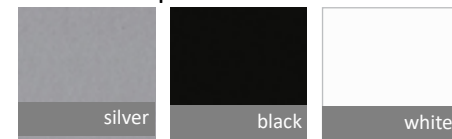


## details

- 2-1/4" steel column and feet are cast aluminum
- maximum table size: 54" diameter or 42" square
- available in occasional, desk and standing heights
- fully welded construction of top plate to column
- aluminum feet are bolted to steel column, field assembly required
- glides have 3/4" long stem
- 13 gauge tube steel
- available in occasional, desk and standing heights

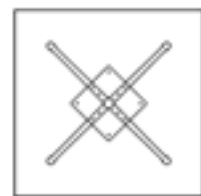
## finishes

standard - powdercoat



## orientation

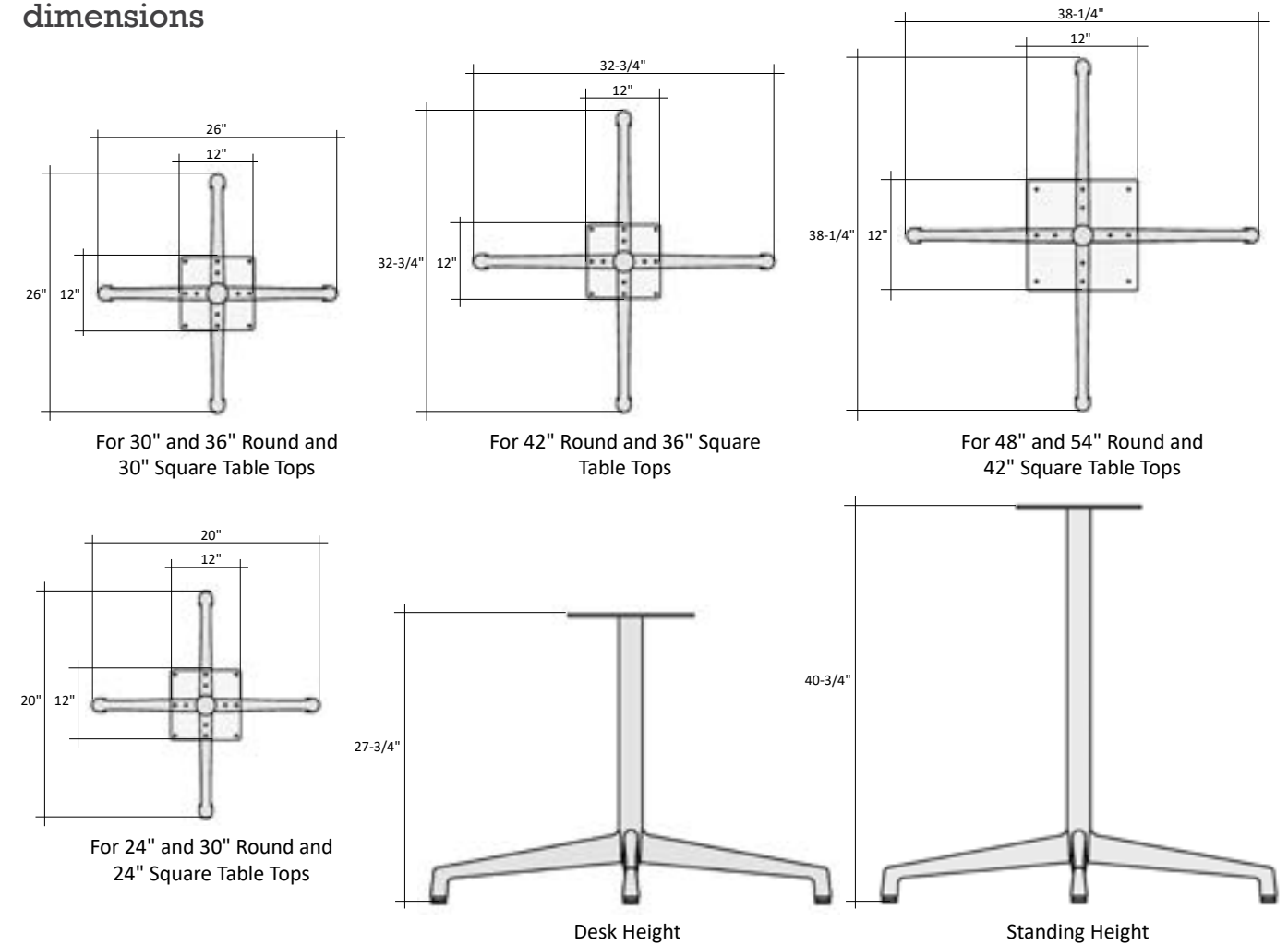
for mounting x-bases on square table tops



## table tops for venice x-bases



## dimensions



## pricing

Model Number	Table Top Size	Base Height	Base Size	Bases Included	Pricing
<b>Desk Height</b>					
ML-PRPL-01-20-??	24" & 30" round; or 24" square	27 3/4	20	1	\$497
ML-PRPL-01-26-??	30" & 36" round; or 30" square	27 3/4	26	1	\$537
ML-PRPL-01-33-??	42" round; or 36" square	27 3/4	32 3/4	1	\$590
ML-PRPL-01-38-??	48" & 54" round; or 42" square	27 3/4	38 1/4	1	\$698
<b>Standing Height</b>					
ML-PRPL-05-20-??	24" & 30" round; or 24" square	40 3/4	20	1	\$579
ML-PRPL-05-26-??	30" & 36" round; or 30" square	40 3/4	26	1	\$618
ML-PRPL-05-33-??	42" round; or 36" square	40 3/4	32 3/4	1	\$672
ML-PRPL-05-38-??	48" & 54" round; or 42" square	40 3/4	38 1/4	1	\$780

- Includes leveling glides.  
 - To order replace "???" with SV for Silver, BK for Black or WT for White finish.

# venice power x-base

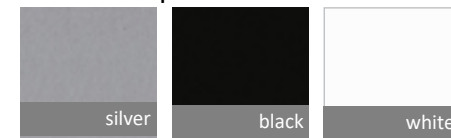


## details

- 2-1/4" steel column and feet are cast aluminum
- maximum table size: 54" diameter or 42" square
- welded cone top plate allows for centered power grommet
- grommet access hole above feet, includes plastic grommet cover
- aluminum feet are bolted to steel column, field assembly required
- glides have 3/4" long stem
- 13 gauge tube steel

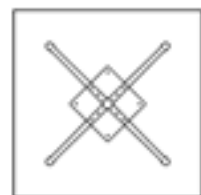
## finishes

standard - powdercoat



## orientation

for mounting x-bases on square table tops



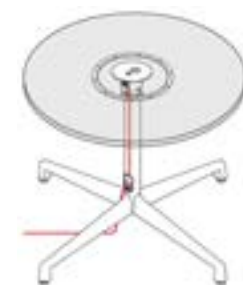
## table tops for venice x-bases



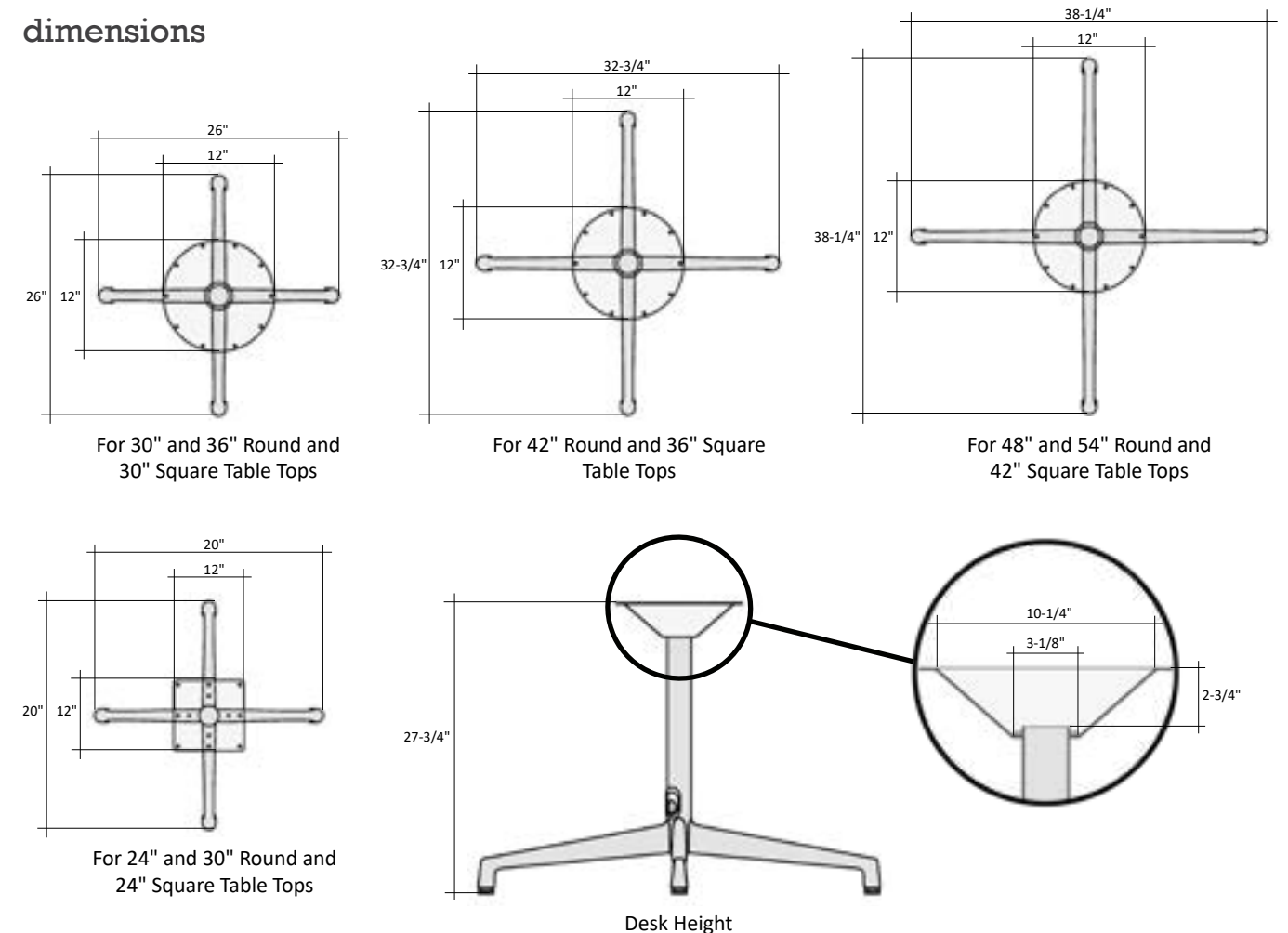
## compliant electrical units

- AC-ELCV-1RND
- AC-ELCV-2RND
- AC-ELCV-01, AC-ELCV-02, AC-ELCV-06, AC-ELCV-07
- AC-ELCV-MINI
- AC-PWRG-02
- AC-PWRG-03

## wire management



## dimensions



## pricing - desk height

Model Number	Table Top Size	Base Height	Base Size	Bases Included	Pricing
ML-PRPL-EL01-20-??	24" & 30" round; or 24" square	27 3/4	20	1	\$832
ML-PRPL-EL01-26-??	30" & 36" round; or 30" square	27 3/4	26	1	\$870
ML-PRPL-EL01-33-??	42" round; or 36" square	27 3/4	32 3/4	1	\$925
ML-PRPL-EL01-38-??	48" & 54" round; or 42" square	27 3/4	38 1/4	1	\$1,033

- Includes leveling glides.
- To order replace "??" with SV for Silver, BK for Black or WT for White finish.

# venice 4 post x-base

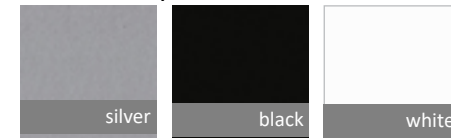


## details

- (4) 2-1/4" steel columns and feet are cast aluminum
- maximum table size: 60" diameter or 54" square
- 27-3/4" high without table top
- fully welded construction of top plate to column
- aluminum feet are bolted to steel column, field assembly required
- glides have 3/4" long stem
- 13 gauge tube steel

## finishes

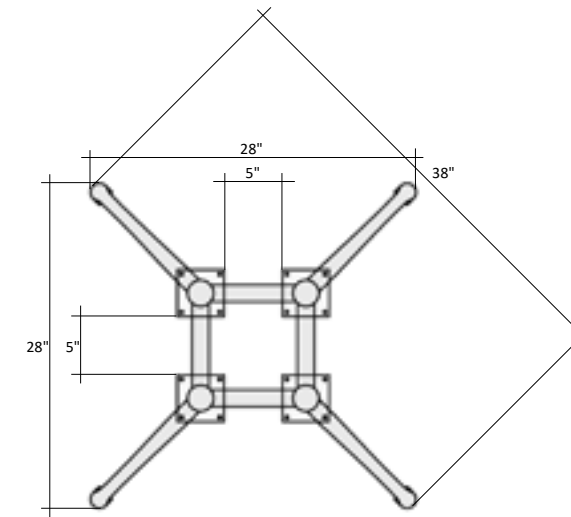
standard - powdercoat



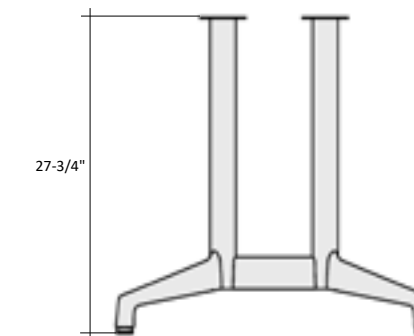
## table tops for venice 4 post x-bases



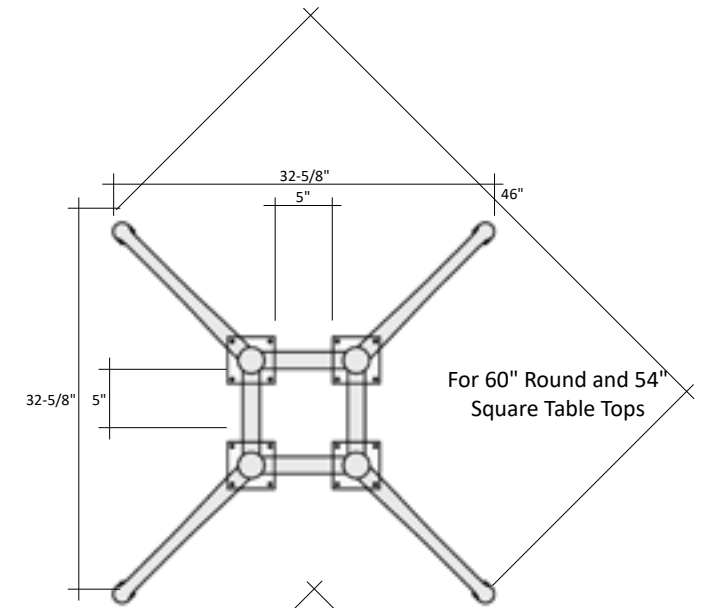
## dimensions



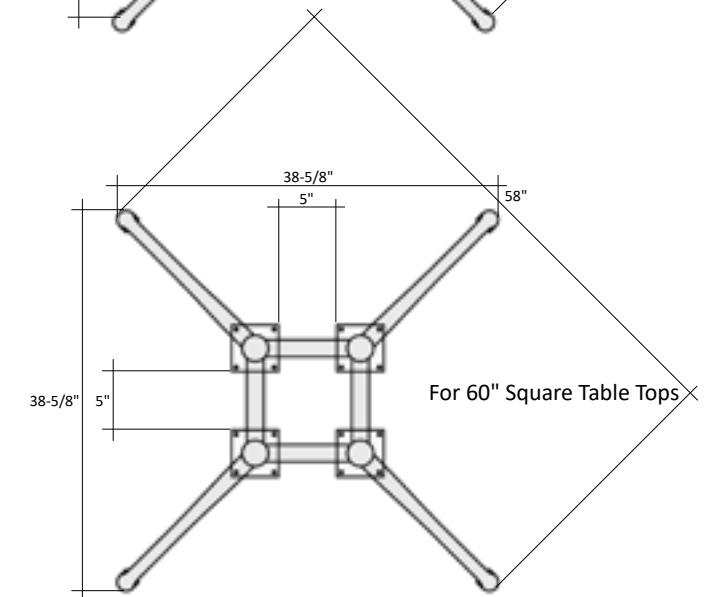
For 54" and 60" Round and 48" Square Table Tops



Desk Height



For 60" Round and 54" Square Table Tops



For 60" Square Table Tops

## pricing

Model Number	Table Top Size	Base Height	Base Size	Bases Included	Standard	Premium
ML-PRPL-04-38-??	60" round; or 48" square	27 3/4	38	1		\$1,335
ML-PRPL-04-46-??	54" square	27 3/4	46	1		\$1,404
ML-PRPL-04-58-??	60" square	27 3/4	58	1		\$1,448

- Includes leveling glides.
- To order replace "??" with SV for Silver, BK for Black or WT for White finish.
- Wire access grommet standard in (1) column, top and bottom.

# venice y-base



## details

- fully welded construction of top plate to column
- aluminum feet are bolted to steel column, field assembly required
- glides have 3/4" long stem
- 13 gauge tube steel
- horizontal aluminum stretchers required

## y-base

- 2-1/4" steel column and feet are cast aluminum
- 27-3/4" high without table top
- maximum table size: 48" x 96"
- metal stretcher included

## double y-base

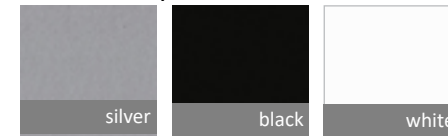
- (2) 2-1/4" steel columns and feet are cast aluminum
- middle legs are double t-legs
- 27-3/4" high without table top
- maximum table size: 60" x 240"
- metal stretchers included

## table tops for venice y-bases



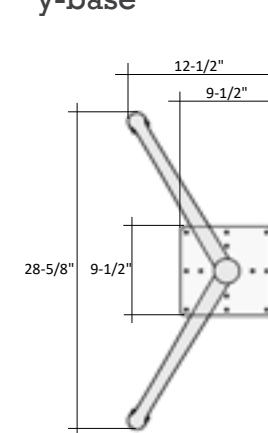
## finishes

### standard - powdercoat

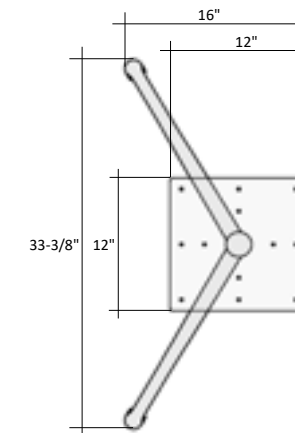


## dimensions

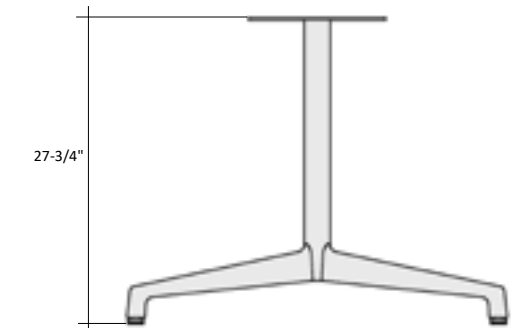
### y-base



For 36" Deep Table Tops

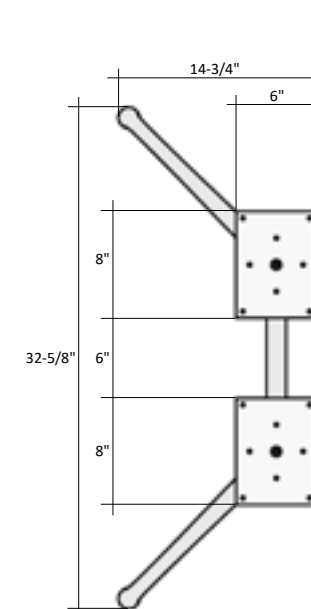


For 42" and 48" Deep Table Tops

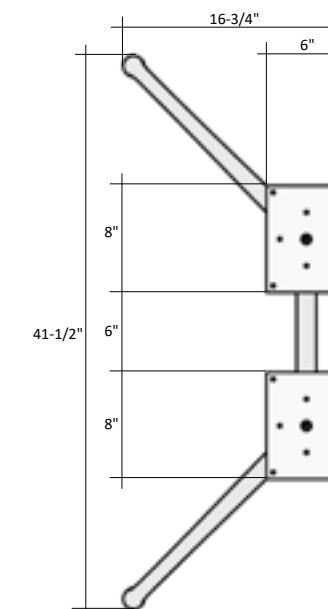


Desk Height

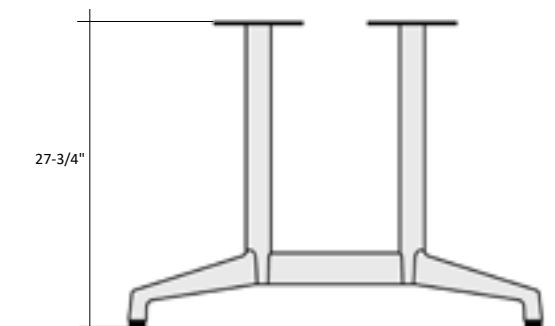
### double y-base



For 48" Deep Table Tops



For 54" and 60" Deep Table Tops



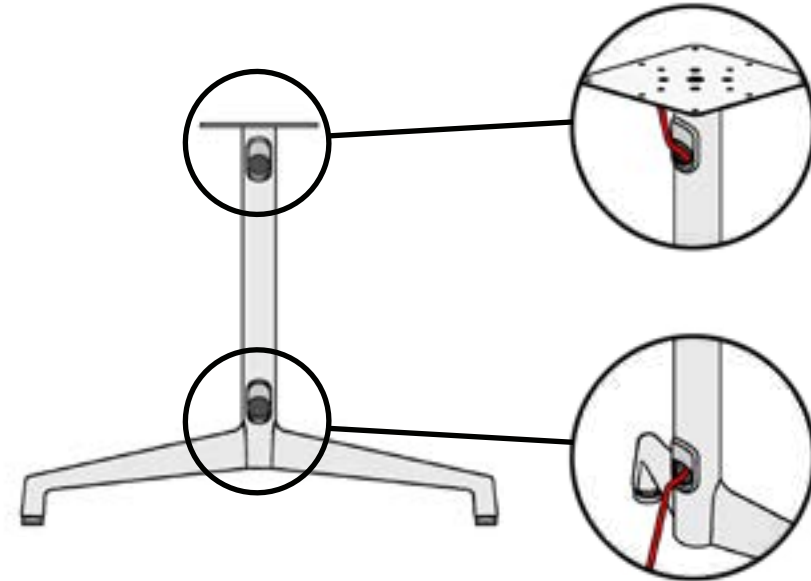
Desk Height



# venice y-bases

## wire management

Wire management grommets are included in the vertical columns on all Venice bases. Oval cutouts, 1-1/4" x 2-1/4", are located in the column below the top plate and above the feet connection. Plastic grommet covers are included to cover the cutouts.



## base placement

rectangular, racetrack, boatshape and bow-end table tops

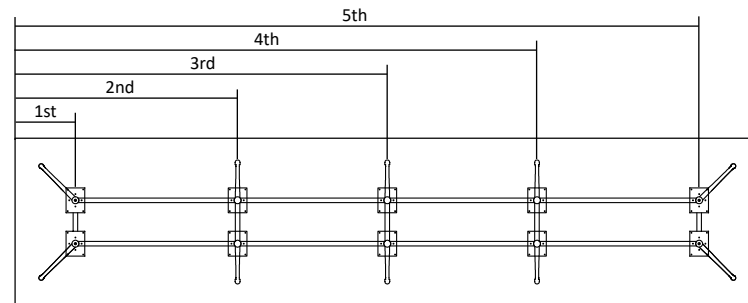


Table Depth	Table Length	Center of 1st Base	Center of 2nd Base	Center of 3rd Base	Center of 4th Base	Center of 5th Base
36	72	18-3/16	53-3/16			
42/48	84	17-7/8	66-1/8			
42/48	96	17-7/8	78-1/8			
48	120	17-3/4	60	102-1/4		
48/54/60	144	17-3/4	72	126-1/4		
48/54/60	168	19-1/8	61-7/16	103-11/16	146-1/16	
48/54/60	192	17-9/16	69-7/8	122-1/8	174-7/16	
48/54/60	216	17-9/16	77-7/8	138-1/8	198-7/16	
48/54/60	240	19-7/16	71-3/4	120	168-1/4	220-9/16

## pricing - y bases

Model Number	Table Top Size	Base Size	Stretcher Length	Pricing
ML-YLG1-29-72-??	36 x 72	28 5/8	33 7/8	\$1,513
ML-YLG1-33-84-??	42 x 84, 48 x 84	33 3/8	46 1/2	\$1,813
ML-YLG1-33-96-??	42 x 96, 48 x 96	33 3/8	58 1/2	\$1,903

- Includes leveling glides.
- To order replace "???" with SV for Silver, BK for Black or WT for White finish.
- Wire access grommet standard in leg columns, top and bottom.

## pricing - double y bases

Model Number	Table Top Size	Base Size	Stretcher Length	Pricing
<b>2 Bases &amp; 4 Stretchers</b>				
ML-YLG2-33-84-??	42 x 84, 48 x 84	32 7/8	46 1/2	\$3,020
ML-YLG2-33-96-??	42 x 96, 48 x 96	32 7/8	58 1/2	\$3,171
<b>3 Bases &amp; 4 Spanning Rods</b>				
ML-YLG2-33-120-??	48 x 120	32 7/8	40 1/2	\$3,781
ML-YLG2-33-144-??	48 x 144	32 7/8	52 1/2	\$4,528
ML-YLG2-41-144-??	54 x 144, 60 x 144	41 1/2	52 1/2	\$4,640
<b>4 Bases &amp; 6 Spanning Rods</b>				
ML-YLG2-33-168-??	48 x 168	32 7/8	40 1/2	\$5,126
ML-YLG2-41-168-??	54 x 168, 60 x 168	41 1/2	40 1/2	\$5,264
ML-YLG2-33-192-??	48 x 192	32 7/8	50 1/2	\$5,411
ML-YLG2-41-192-??	54 x 192, 60 x 192	41 1/2	50 1/2	\$5,549
ML-YLG2-33-216-??	48 x 216	32 7/8	58 1/2	\$5,632
ML-YLG2-41-216-??	54 x 216, 60 x 216	41 1/2	58 1/2	\$5,770
<b>5 Bases &amp; 8 Spanning Rods</b>				
ML-YLG2-33-240-??	48 x 240	32 7/8	50 1/2 & 46 1/2	\$6,784
ML-YLG2-41-240-??	54 x 240, 60 x 240	41 1/2	50 1/2 & 46 1/2	\$7,250

- Includes leveling glides.
- To order replace "???" with SV for Silver, BK for Black or WT for White finish.
- Wire access grommet standard in leg columns, top and bottom.

# venice t-legs



## details

- fully welded construction of top plate to column
- aluminum feet are bolted to steel column, field assembly required
- glides have 3/4" long stem
- 13 gauge tube steel

## base placement

rectangular, racetrack, boatshape and bow-end table tops

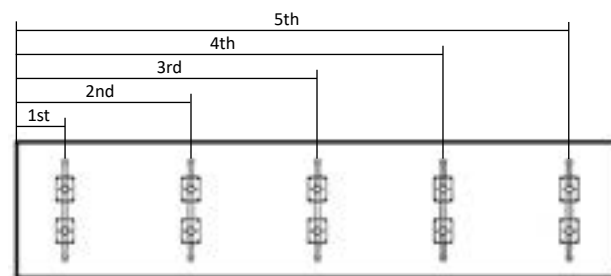


Table Depth	Table Length	Center of 1st Base	Center of 2nd Base	Center of 3rd Base	Center of 4th Base	Center of 5th Base
36	72	18	54			
42/48	84	19-1/8	64-7/8			
42/48	96	19-1/8	76-7/8			
48	120	19-1/8	60	100-7/8		
48/54/60	144	19-1/8	72	124-7/8		
48/54/60	168	19-1/8	62-3/8	105-5/8	148-7/8	
48/54/60	192	19-1/8	70-3/8	121-5/8	172-7/8	
48/54/60	216	19-1/8	63-9/16	108	152-7/16	196-7/8
48/54/60	240	19-1/8	69-9/16	120	170-7/16	220-7/8

## t-leg

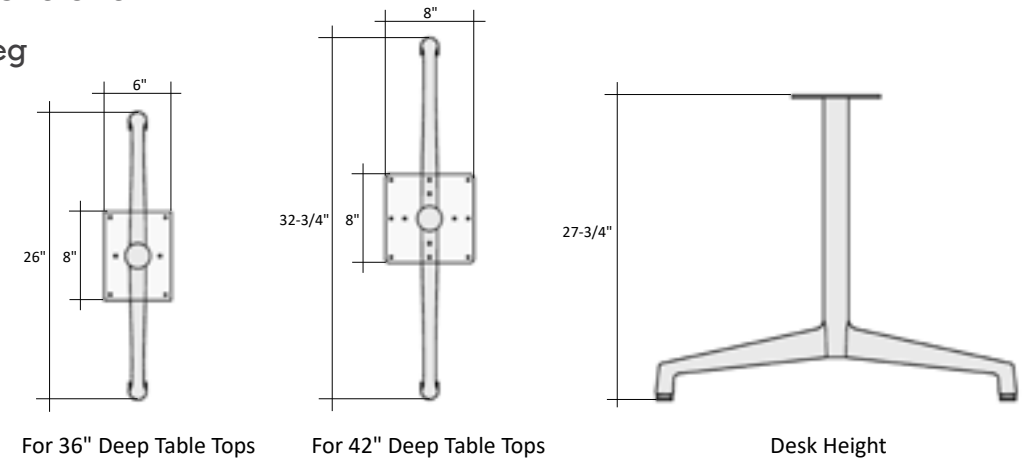
- 2-1/4" steel column and feet are cast aluminum
- maximum table size: 42" x 96"

## double t-leg

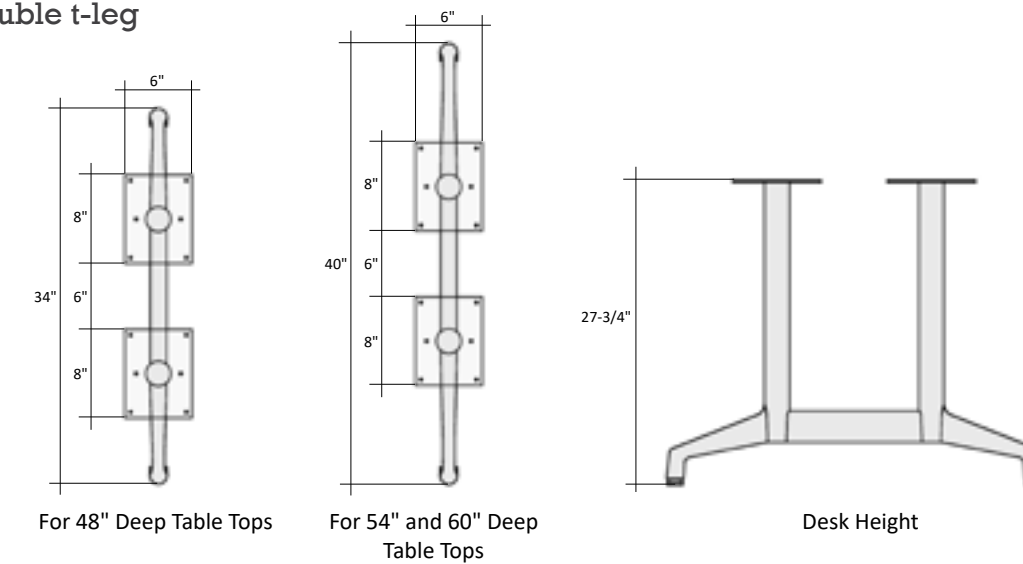
- (2) 2-1/4" steel columns and feet are cast aluminum
- maximum table size: 60" x 240"

## dimensions

### t-leg



### double t-leg



## pricing

Model Number	Table Top Width	Base Height	Base Size	Bases Included	Pricing
<b>Single T-Leg</b>					
ML-PRPL-T33-??	36"	27 3/4	26	1	\$479
ML-PRPL-T38-??	42"	27 3/4	32 3/4	1	\$569
<b>Double T-Leg</b>					
ML-PRPL-TT34-??	48"	27 3/4	34	1	\$713
ML-PRPL-TT40-??	54", 60"	27 3/4	40	1	\$739

- Includes leveling glides.
- To order replace "???" with SV for Silver, BK for Black or WT for White finish.
- Wire access grommet standard in leg columns, top and bottom.

# torrey leg

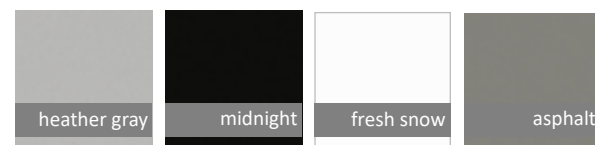


## details

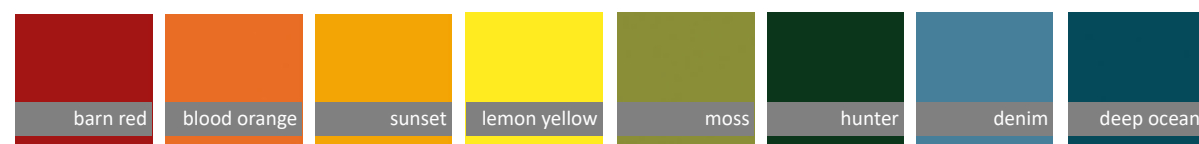
- built-in wire management through the leg
- heavy gauge steel construction
- powdercoat finish
- made in america
- available in occasional, desk and standing heights

## finishes

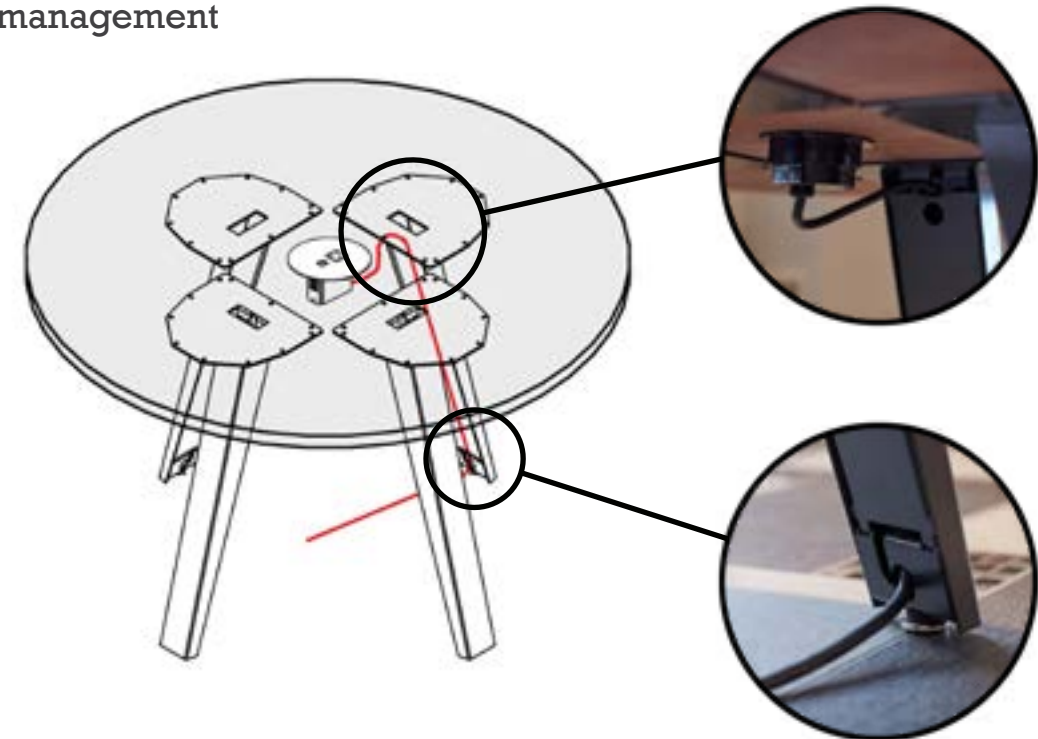
### standard



### premium - 10% upcharge (OP-COLOR)



## wire management



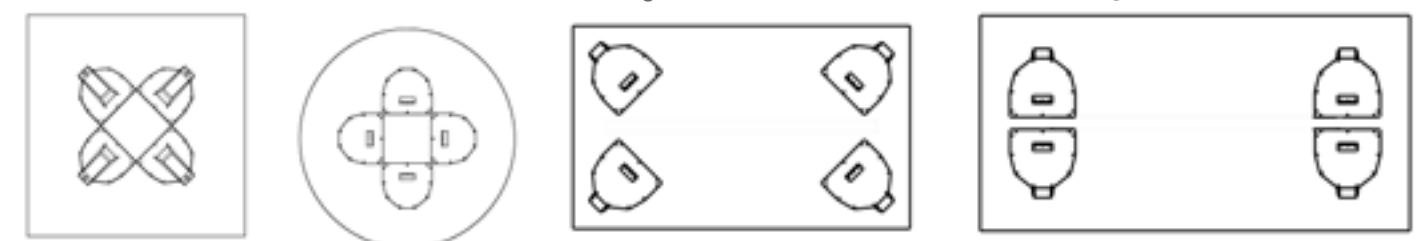
## table tops for torrey legs

one piece table tops only, maximum width 48"



## orientation

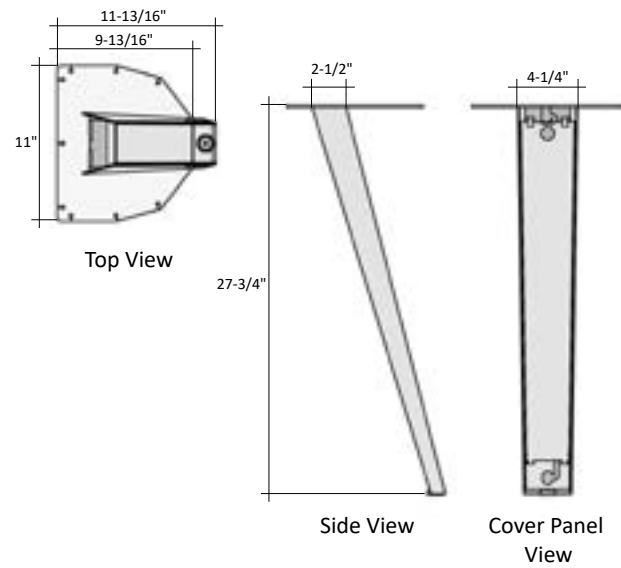
for mounting torrey legs



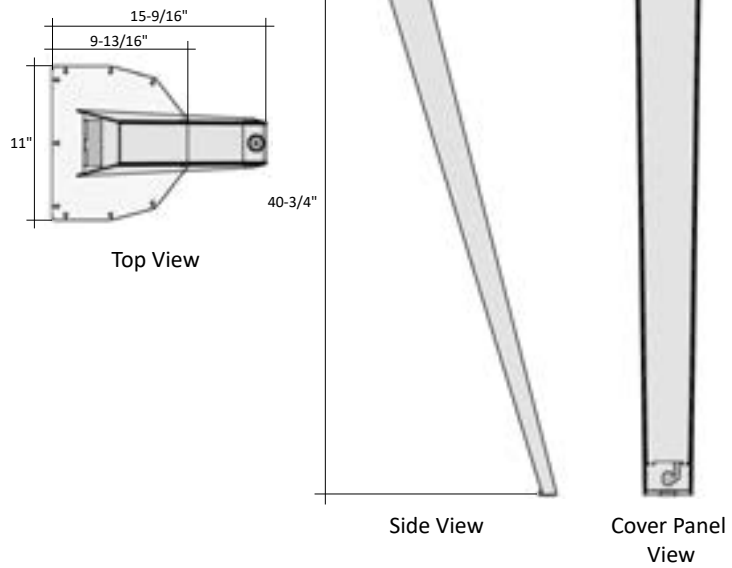
# torrey leg details

## dimensions

### desk height

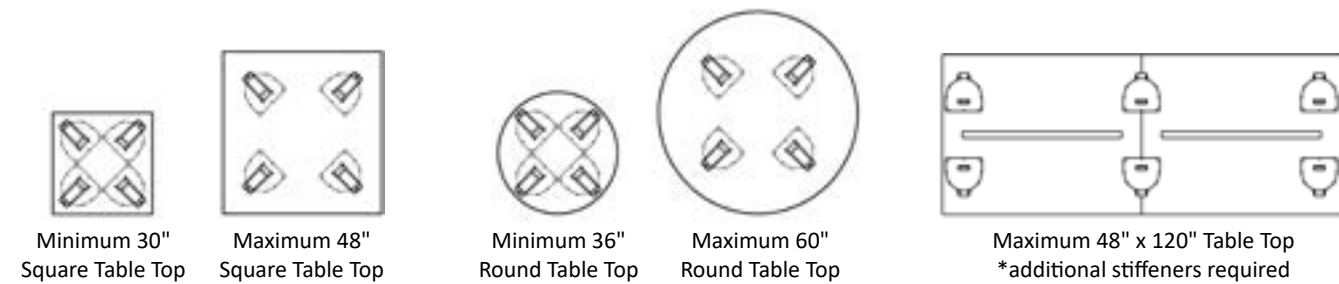


### standing height

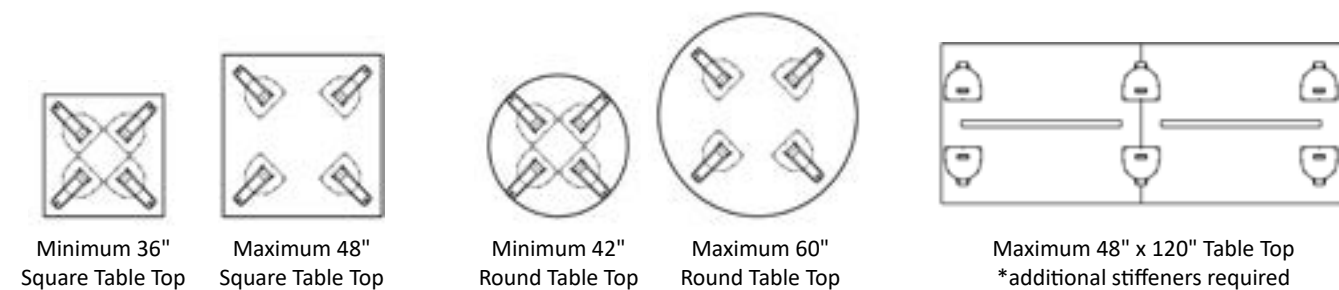


## minimum and maximum table sizes

### desk height



### standing height



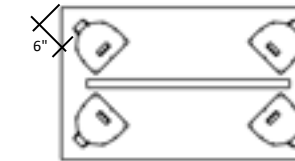
## stiffener bars

Rectangular table tops with Torrey legs require external stiffeners. Stiffeners may interfere with mounting of some electrical grommets. Ship separately and are field installed. Placement allows for 7" of clear space between stiffener bars in center of the table for electrical grommet placement. Use AC-SPRD-TRY for \$126 for each stiffener bar.



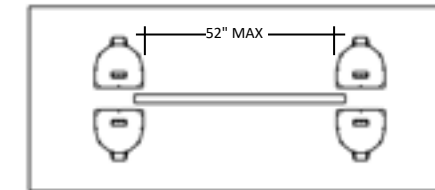
### Round & Square Tables

No addition support required



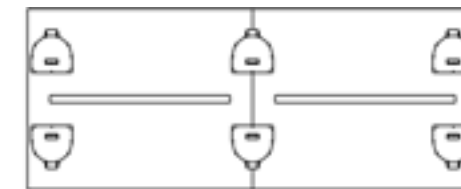
### Small Rectangular Tables

For tables 60" wide or less, Torrey legs can be mounted at 45 degree angle to corner. 1 stiffener bar is recommend.



### Medium Rectangular Tables

For tables 66"-96" wide, Torrey legs must be mounted parallel to end of table. 1 stiffener bar is required. Distance between legs **cannot exceed** 52".



### Large Rectangular Table

Torrey can support a max top size of 120" if 6 legs are used. 2 Stiffener bars are required. Legs must be mounted parallel to table ends.

## pricing

Model Number	MAX Table Top Size	Base Height	Base Size	Legs Included	Standard	Premium
<b>Desk Height</b>						
ML-TRAP-29-??	48"x120"	27 3/4	4 1/4	1	\$324	\$355
<b>Standing Height</b>						
ML-TRAP-42-??	48"x120"	40 3/4	4 3/4	1	\$390	\$428

- Includes leveling glides.

- To order, replace "??" with MN for Midnight, HG for Heather Grey, FS for Fresh Snow, AS for Asphalt, BR for Barn Red, BO for Blood Orange, SN for Sunset, LY for Lemon Yellow, DM for Denim, DO for Deep Ocean, HU for Hunter and MO for Moss.

# cafe

## table of contents



<b>Cafe Table Tops</b>	108-109
<b>Beacon</b>	110-111
<b>Mission</b>	112-113
<b>Newport</b>	114-115
<b>Cabrillo</b>	116-117
<b>Venice</b>	118-119
<b>Ribbon</b>	120-121

round table top

TFL and HPL options

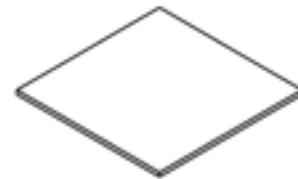


		TFL		HPL			
		1-1/8" Thick Standard TFL	1-1/8" Thick Premium TFL	1-1/8" Thick Standard HPL	1-1/8" Thick MDF Core	1" Thick Plywood Core	
		2mm PVC	2mm PVC	2mm PVC	2mm PVC Knife	Exposed Plywood	
Model Number	Depth	Length	T1-A1	T2-A1	H1-A1	H1-K1	H1-P1
TP-FULR-3030-??-??	30	30	\$577	\$635	\$909	\$1,053	\$1,152
TP-FULR-3636-??-??	36	36	\$585	\$644	\$925	\$1,313	\$1,404
TP-FULR-4242-??-??	42	42	\$734	\$807	\$1,158	\$1,360	\$1,433
TP-FULR-4848-??-??	48	48	\$891	\$980	\$1,406	\$1,564	\$1,619
TP-FULR-5454-??-??	54	54	\$1,061	\$1,167	\$1,675	\$1,943	\$2,069
TP-FULR-6060-??-??	60	60	\$1,115	\$1,227	\$1,763	\$1,990	\$2,094

- For premium TFL, change "T1" to "T2" and add 10%.  
 - TFL and HPL tops with 2mm PVC edges are only available with DeskMakers standard 2MM PVC edgebanding.  
 - Please see Cleaning and Care Guide for maintenance information.

square table top

TFL and HPL options

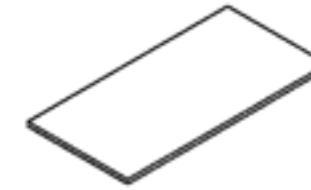


		TFL		HPL			
		1-1/8" Thick Standard TFL	1-1/8" Thick Premium TFL	1-1/8" Thick Standard HPL	1-1/8" Thick MDF Core	1" Thick Plywood Core	
		2mm PVC	2mm PVC	2mm PVC	2mm PVC Knife	Exposed Plywood	
Model Number	Depth	Length	T1-A1	T2-A1	H1-A1	H1-K1	H1-P1
TP-SQRE-1919-??-??	19	19	\$203	\$223	\$322	\$516	\$642
TP-SQRE-2424-??-??	24	24	\$391	\$430	\$618	\$684	\$884
TP-SQRE-3030-??-??	30	30	\$507	\$558	\$801	\$872	\$991
TP-SQRE-3636-??-??	36	36	\$527	\$580	\$833	\$1,069	\$1,314
TP-SQRE-4242-??-??	42	42	\$676	\$743	\$1,068	\$1,094	\$1,487
TP-SQRE-4848-??-??	48	48	\$833	\$916	\$1,317	\$1,438	\$1,645
TP-SQRE-5454-??-??	54	54	\$991	\$1,090	\$1,566	\$1,884	\$1,943

- For premium TFL, change "T1" to "T2" and add 10%.  
 - TFL and HPL tops with 2mm PVC edges are only available with DeskMakers standard 2MM PVC edgebanding.  
 - For rounded corners with a 4" radius use OP-EDGE-RND for an additional \$178 per top.  
 - Please see Cleaning and Care Guide for maintenance information.

rectangular table top

TFL and HPL options



			TFL		HPL		
			1-1/8" Thick Standard TFL	1-1/8" Thick Premium TFL	1-1/8" Thick Standard HPL	1-1/8" Thick MDF Core	1" Thick Plywood Core
			2mm PVC	2mm PVC	2mm PVC	2mm PVC Knife	Exposed Plywood
Model Number	Depth	Length	T1-A1	T2-A1	H1-A1	H1-K1	H1-P1
<b>19" Deep</b>							
TP-RECT-1936-??-??	19	36	\$272	\$299	\$443	\$514	\$790
TP-RECT-1942-??-??	19	42	\$274	\$301	\$446	\$520	\$802
TP-RECT-1948-??-??	19	48	\$361	\$397	\$611	\$709	\$1,106
TP-RECT-1954-??-??	19	54	\$364	\$400	\$614	\$714	\$1,118
TP-RECT-1960-??-??	19	60	\$365	\$402	\$616	\$720	\$1,131
TP-RECT-1966-??-??	19	66	\$368	\$405	\$619	\$725	\$1,143
TP-RECT-1972-??-??	19	72	\$370	\$408	\$622	\$731	\$1,156
TP-RECT-1978-??-??	19	78	\$458	\$504	\$787	\$920	\$1,458
TP-RECT-1984-??-??	19	84	\$459	\$505	\$790	\$925	\$1,470
<b>24" Deep</b>							
TP-RECT-2436-??-??	24	36	\$274	\$301	\$446	\$519	\$801
TP-RECT-2442-??-??	24	42	\$276	\$304	\$449	\$524	\$813
TP-RECT-2448-??-??	24	48	\$364	\$400	\$614	\$713	\$1,115
TP-RECT-2454-??-??	24	54	\$365	\$402	\$616	\$718	\$1,128
TP-RECT-2460-??-??	24	60	\$368	\$405	\$619	\$725	\$1,141
TP-RECT-2466-??-??	24	66	\$370	\$408	\$622	\$731	\$1,153
TP-RECT-2472-??-??	24	72	\$373	\$410	\$623	\$737	\$1,166
TP-RECT-2478-??-??	24	78	\$458	\$504	\$788	\$925	\$1,469
TP-RECT-2484-??-??	24	84	\$461	\$507	\$791	\$931	\$1,482
<b>30" Deep</b>							
TP-RECT-3036-??-??	30	36	\$361	\$397	\$611	\$707	\$1,103
TP-RECT-3042-??-??	30	42	\$364	\$400	\$614	\$713	\$1,115
TP-RECT-3048-??-??	30	48	\$493	\$542	\$860	\$992	\$1,564
TP-RECT-3054-??-??	30	54	\$495	\$545	\$861	\$999	\$1,577
TP-RECT-3060-??-??	30	60	\$497	\$546	\$864	\$1,005	\$1,589
TP-RECT-3066-??-??	30	66	\$498	\$548	\$867	\$1,011	\$1,602
TP-RECT-3072-??-??	30	72	\$501	\$551	\$869	\$1,016	\$1,614
TP-RECT-3078-??-??	30	78	\$631	\$694	\$1,115	\$1,296	\$2,062
TP-RECT-3084-??-??	30	84	\$632	\$695	\$1,118	\$1,303	\$2,074

- For premium TFL, change "T1" to "T2" and add 10%.  
 - TFL and HPL tops with 2mm PVC edges are only available with DeskMakers standard 2MM PVC edgebanding.  
 - For rounded corners with a 4" radius use OP-EDGE-RND for an additional \$178 per top.  
 - Please see Cleaning and Care Guide for maintenance information.

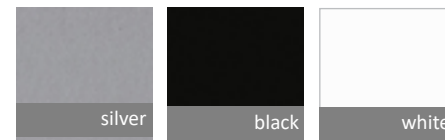
# beacon base



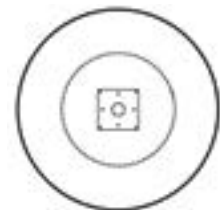
## details

- 27" diameter base
- 3" diameter column
- glides have 1/8" adjustability and raise the base 1/4" above the floor
- fully welded construction of top plate to column
- disc is bolted to column, field assembly required
- 14 gauge tube steel with 25% recycled content
- powdercoat finish
- available in occasional, desk and standing heights

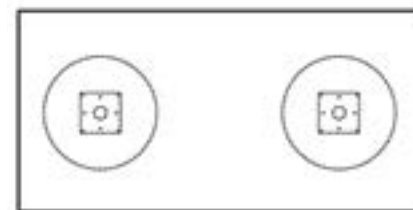
## finishes



## table tops for use with beacon bases

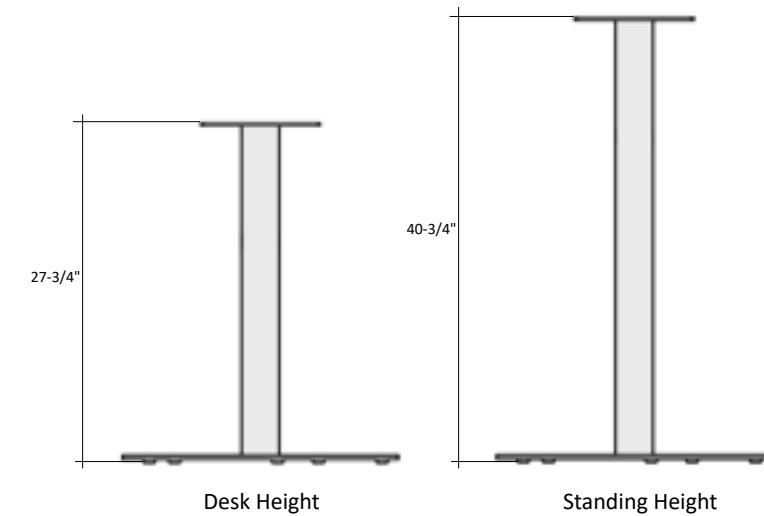
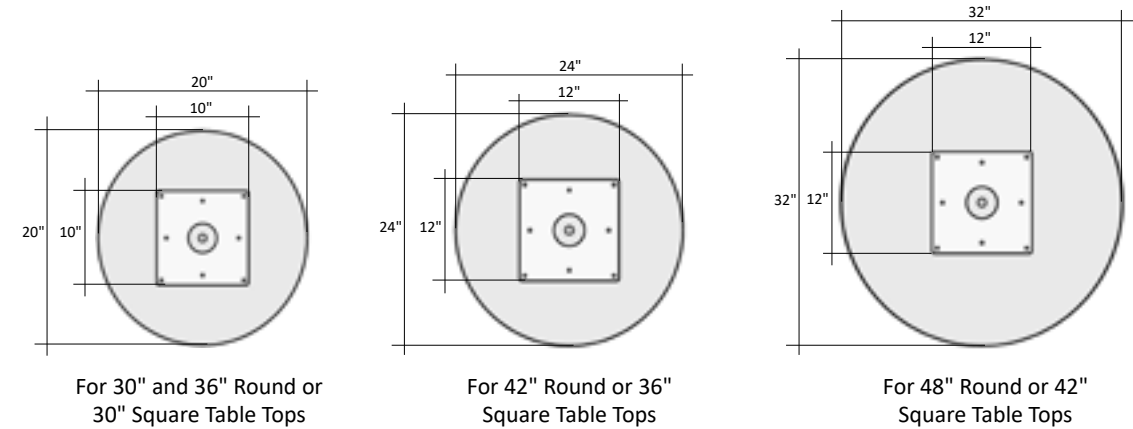


Maximum 48" Round Table Top



Maximum 48" x 96" one piece Table Top

## dimensions



## pricing

Model Number	Table Top Size	Base Height	Base Size	Bases Included	Price
<b>Desk Height</b>					
CF-RDDK-01-20-??	30" or 36" round or 30" square	27 3/4	20	1	\$944
CF-RDDK-01-24-??	42" round or 36" square	27 3/4	24	1	\$1,001
CF-RDDK-01-32-??	48" round or 42" square	27 3/4	32	1	\$1,305
<b>Standing Height</b>					
CF-RDDK-05-20-??	30" or 36" round or 30" square	40 3/4	20	1	\$1,074
CF-RDDK-05-24-??	42" round or 36" square	40 3/4	24	1	\$1,131
CF-RDDK-05-32-??	48" round or 42" square	40 3/4	32	1	\$1,320

- Includes leveling glides.  
 - To order, replace "??" with SV for Silver, BK for Black or WT for White finish.

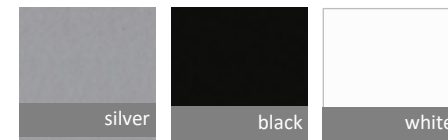
# mission base



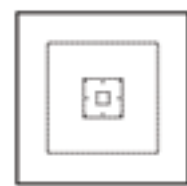
## details

- 27" x 27" square base
- 3" x 3" square column
- fully welded construction of top plate to column
- disc is bolted to column, field assembly required
- glides have 1/8" adjustability and raise the base 1/4" above the floor
- 14 gauge tube steel with 25% recycled content
- powdercoat finish
- available in occasional, desk and standing heights

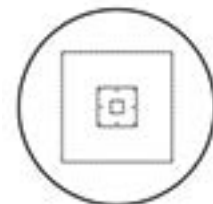
## finishes



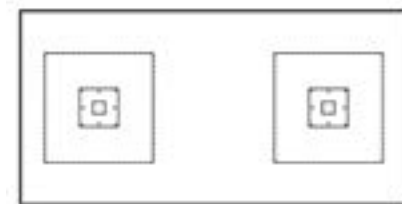
## table tops for use with mission bases



Maximum 42" Square Table Top

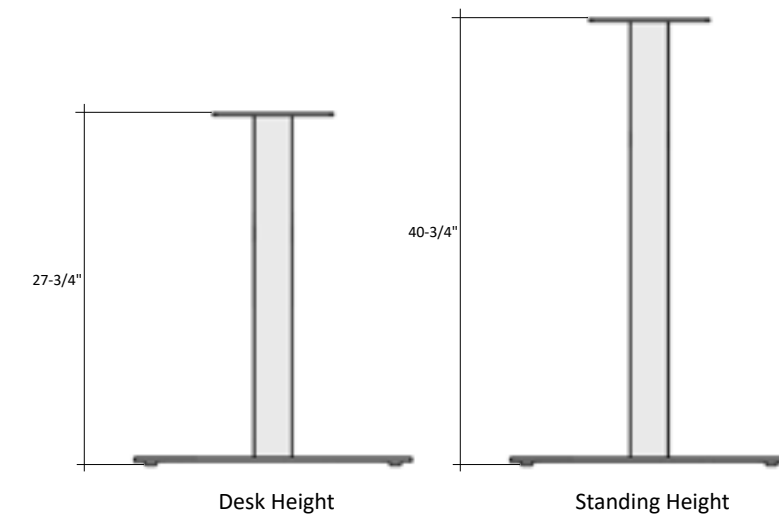
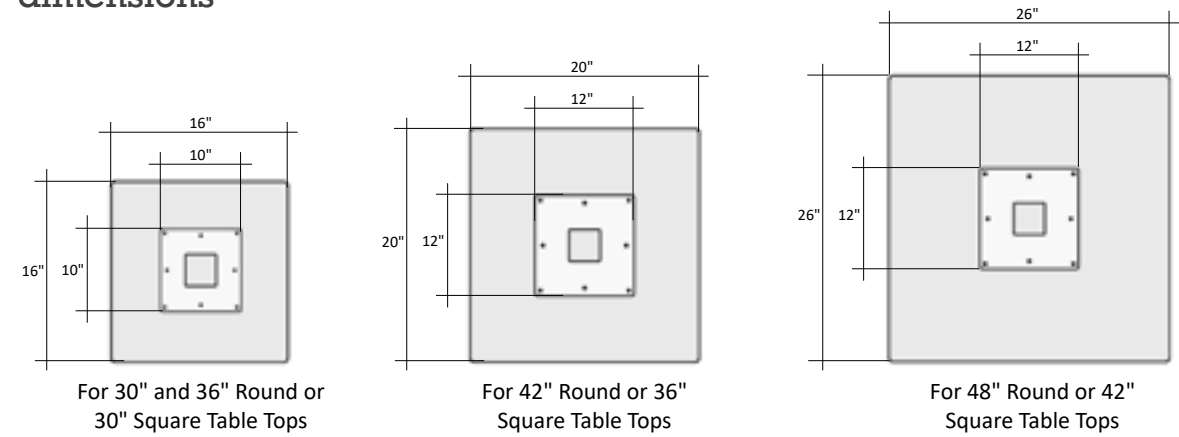


Maximum 48" Round Table Top



Maximum 48" x 96" one piece Table Top

## dimensions



## pricing

Model Number	Table Top Size	Base Height	Base Size	Bases Included	Price
<b>Desk Height</b>					
CF-SQDK-01-16-??	24", 30" or 36" round or 24" or 30" square	27 3/4	16	1	\$944
CF-SQDK-01-20-??	42" round or 36" square	27 3/4	20	1	\$1,001
CF-SQDK-01-26-??	48" round or 42" square	27 3/4	26	1	\$1,191
<b>Standing Height</b>					
CF-SQDK-05-16-??	24", 30" or 36" round or 24" or 30" square	40 3/4	16	1	\$1,073
CF-SQDK-05-20-??	42" round or 36" square	40 3/4	20	1	\$1,130
CF-SQDK-05-26-??	48" round or 42" square	40 3/4	26	1	\$1,320

- Includes leveling glides.  
 - To order, replace "??" with SV for Silver, BK for Black or WT for White finish.



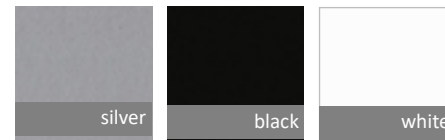
# newport x-base



## details

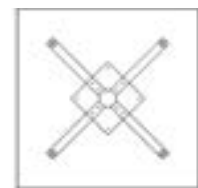
- 3" diameter column and feet are 1-7/8" diameter
- fully welded construction of top plate to column
- x-base is bolted to column, field assembly required
- glides have 3/8" long stem
- 14 gauge tube steel with 25% recycled content
- powdercoat finish
- available in desk and standing heights

## finishes



## orientation

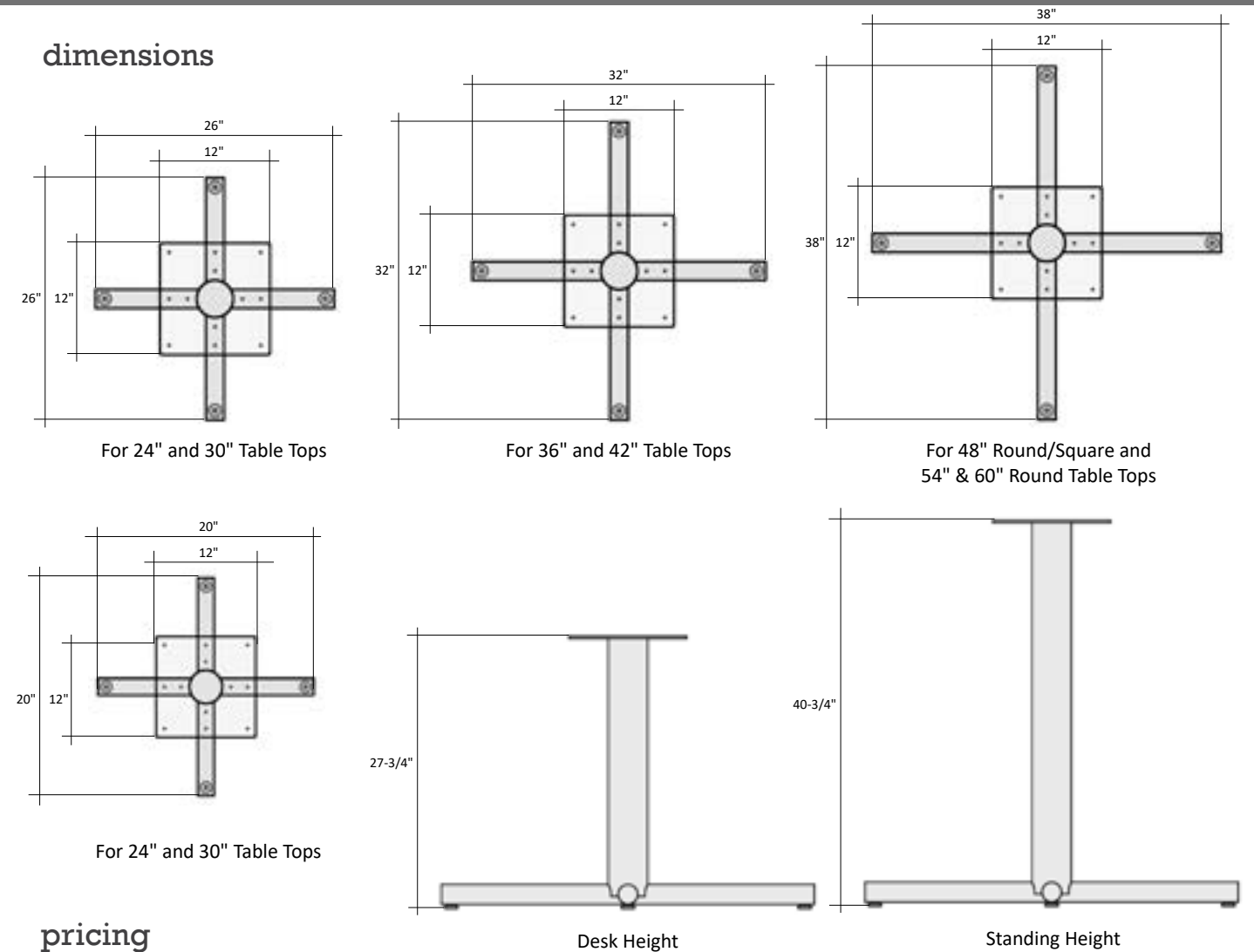
for mounting x-bases on square table tops



## table tops for newport x-bases



## dimensions



## pricing

Model Number	Table Top Size	Base Height	Base Size	Bases Included	Silver	Black & White
<b>Desk Height</b>						
CF-BMMX-01-20-??	24" round & square	27 3/4	20	1	\$551	\$606
CF-BMMX-01-24-??	30" round & square	27 3/4	26	1	\$651	\$716
CF-BMMX-01-30-??	36" & 42" round & square	27 3/4	32	1	\$756	\$832
CF-BMMX-01-60-??	48" round & square; 54" & 60" round	27 3/4	38	1	\$782	\$861
<b>Standing Height</b>						
CF-BMMX-05-20-??	24" round & square	40 3/4	20	1	\$688	\$757
CF-BMMX-05-24-??	30" round & square	40 3/4	26	1	\$810	\$890
CF-BMMX-05-30-??	36" & 42" round & square	40 3/4	32	1	\$869	\$956
CF-BMMX-05-60-??	48" round & square; 54" & 60" round	40 3/4	38	1	\$928	\$1,021

- Includes leveling glides.  
 - To order, replace "???" with SV for Silver, BK for Black or WT for White finish.

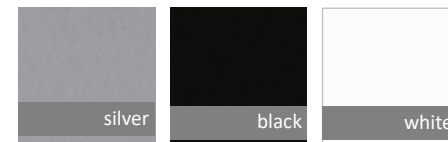
# cabrillo base



## details

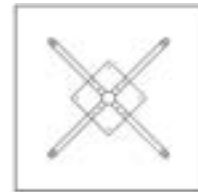
- 3" diameter column and feet are 1-1/2" diameter
- fully welded construction of top plate to column
- glides have 3/8" long stem
- 14 gauge tube steel with 25% recycled content
- powdercoat finish
- available in desk and standing heights

## finishes



## orientation

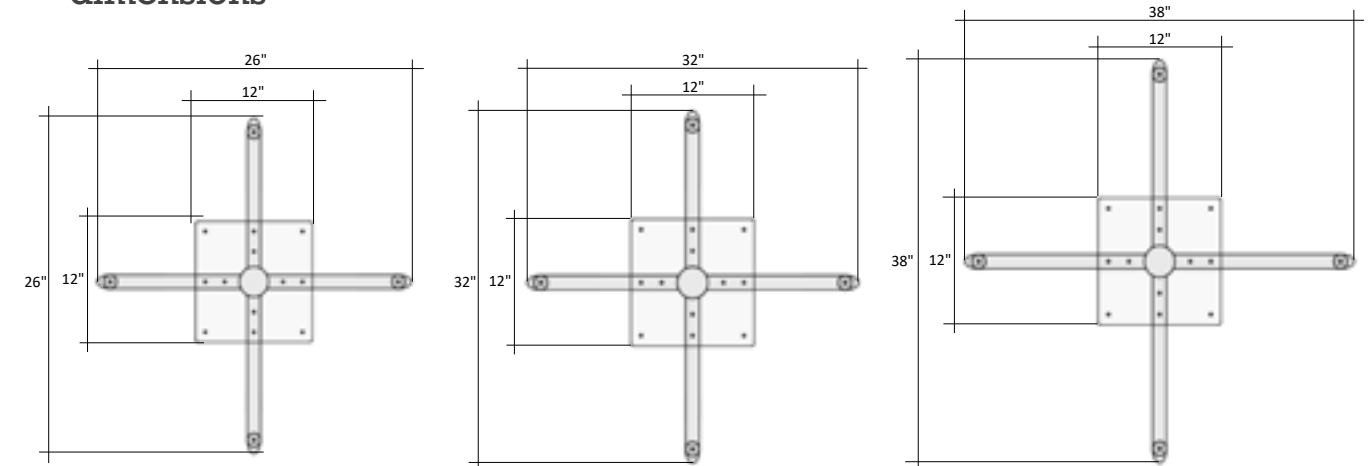
for mounting x-bases on square table tops



## table tops for cabrillo bases



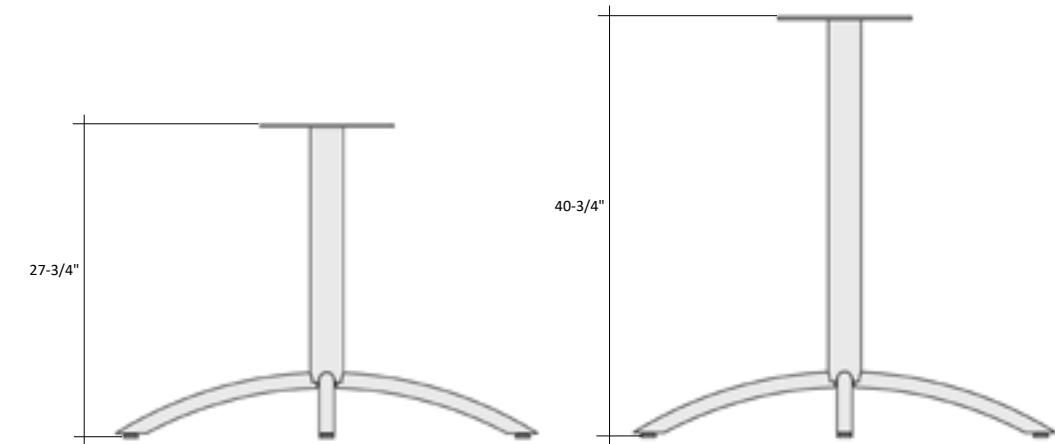
## dimensions



For 30" and 36" Round and 30" Square Table Tops

For 36" and 42" Round and 36" Square Table Tops

For 48" and 54" Round and 42" Square Table Tops



Desk Height

Standing Height

## pricing

Model Number	Table Top Size	Base Height	Base Size	Bases Included	Price
<b>Desk Height</b>					
CF-ARTB-00-??	30" or 36" round; 30" square	27 3/4	26	1	\$655
CF-ARTB-01-??	36" or 42" round; 36" square	27 3/4	32	1	\$744
CF-ARTB-02-??	48" or 54" round; 42" square	27 3/4	38	1	\$826
<b>Standing Height</b>					
CF-ARTB-04-??	30" or 36" round; 30" square	40 3/4	26	1	\$782
CF-ARTB-05-??	36" or 42" round; 36" square	40 3/4	32	1	\$870
CF-ARTB-06-??	48" or 54" round; 42" square	40 3/4	38	1	\$953

- Includes leveling glides.

- To order, replace "??" with SV for Silver, BK for Black or WT for White finish.

# venice x-base

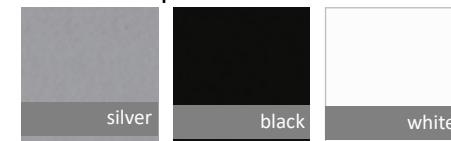


## details

- 2-1/4" steel column and feet are cast aluminum
- maximum table size: 54" diameter or 42" square
- available in occasional, desk and standing heights
- fully welded construction of top plate to column
- aluminum feet are bolted to steel column, field assembly required
- glides have 3/4" long stem
- 13 gauge tube steel

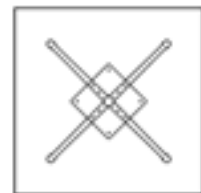
## finishes

standard - powdercoat



## orientation

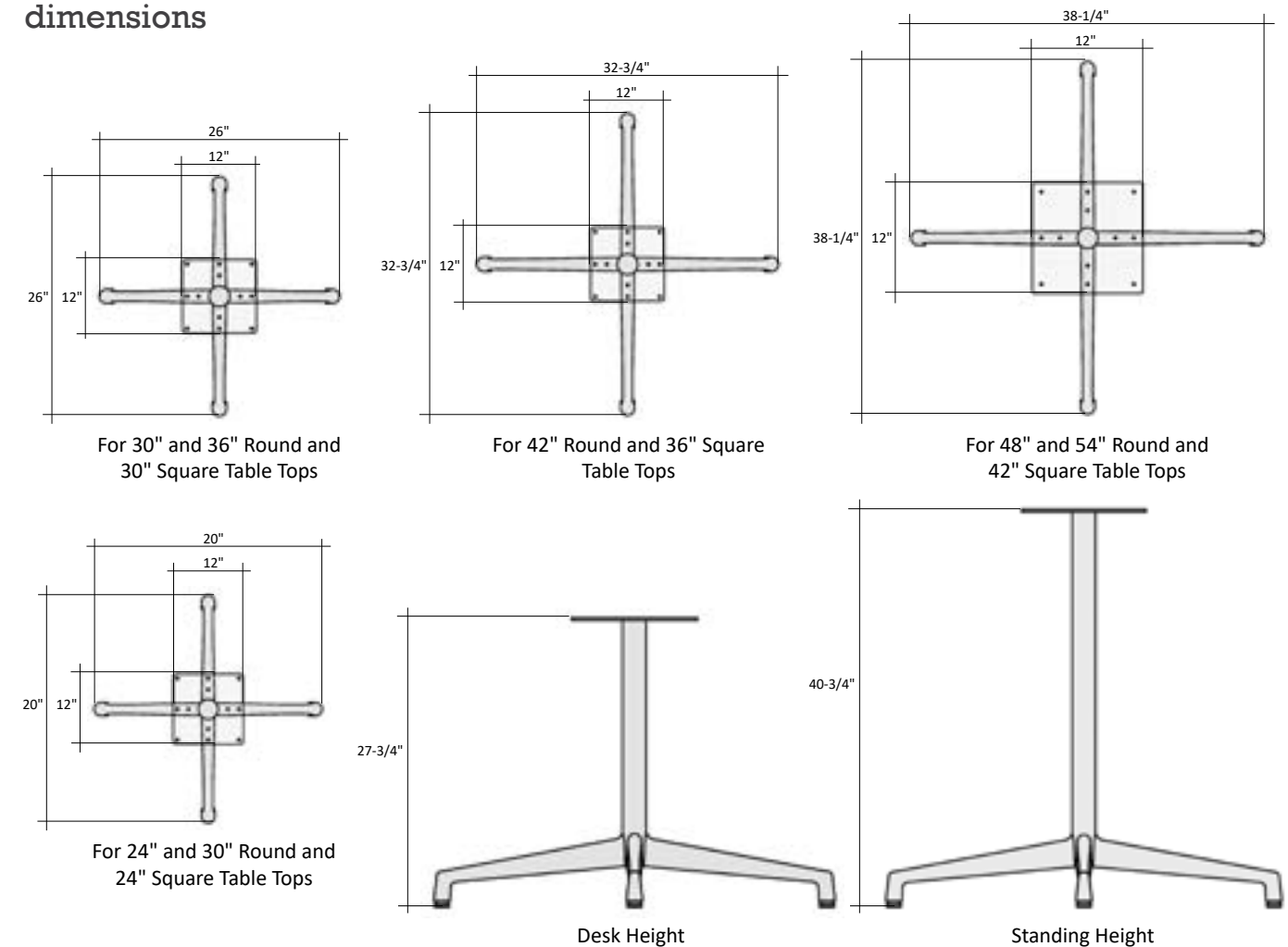
for mounting x-bases on square table tops



## table tops for venice x-bases



## dimensions



## pricing

Model Number	Table Top Size	Base Height	Base Size	Bases Included	Pricing
<b>Desk Height</b>					
ML-PRPL-01-20-??	24" & 30" round; or 24" square	27 3/4	20	1	\$497
ML-PRPL-01-26-??	30" & 36" round; or 30" square	27 3/4	26	1	\$537
ML-PRPL-01-33-??	42" round; or 36" square	27 3/4	32 3/4	1	\$590
ML-PRPL-01-38-??	48" & 54" round; or 42" square	27 3/4	38 1/4	1	\$698
<b>Standing Height</b>					
ML-PRPL-05-20-??	24" & 30" round; or 24" square	40 3/4	20	1	\$579
ML-PRPL-05-26-??	30" & 36" round; or 30" square	40 3/4	26	1	\$618
ML-PRPL-05-33-??	42" round; or 36" square	40 3/4	32 3/4	1	\$672
ML-PRPL-05-38-??	48" & 54" round; or 42" square	40 3/4	38 1/4	1	\$780

- Includes leveling glides.  
 - To order replace "???" with SV for Silver, BK for Black or WT for White finish.

# ribbon hairpin leg

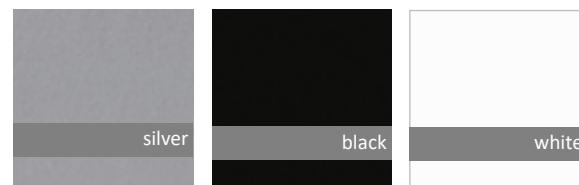


## details

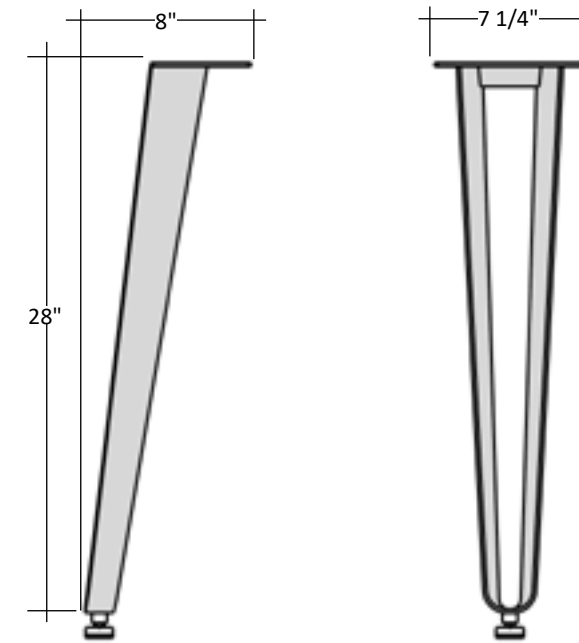
- Heavy gauge steel construction.
- Includes leveling glides. Levelers will add 3/4" in height.
- Powdercoat finish.
- Made in America.

## finishes

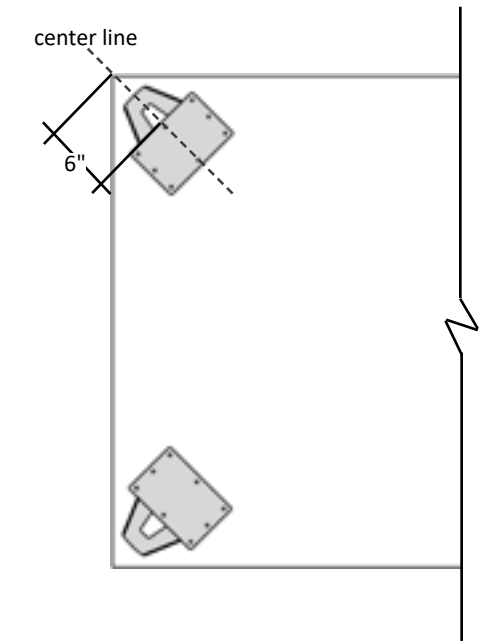
standard



## dimensions

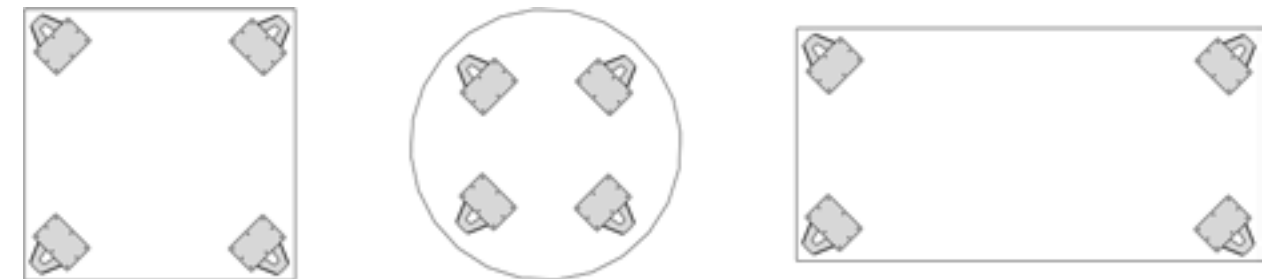


## placement



## table tops for hairpin legs

one piece table tops only, maximum width 48"



## hairpin leg set



Model Number	Max Table Top Size	Base Height	Legs Included	Price
RB-RPST-SET-??	48 x 96	28	4	\$3,576

- Includes leveling glides.
- Legs are constructed of solid steel frame with a powdercoat finish.
- Dimensions are nominal.
- To order, replace "??" with "SV" for silver. "BK" for black and "WT" for white finish.

# training

## table of contents

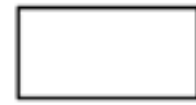


<b>Training Table Tops</b>	124-131
<b>Newport</b>	132-135
<b>Venice</b>	136-139
<b>Cabrillo</b>	140-141
<b>Strands</b>	142-143
<b>Modesty Panels</b>	144-146
<b>Ganging Brackets</b>	147

# training table tops



## training tables



rectangular



trapezoid

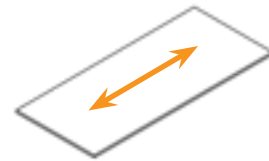


half-round

## finishes

- 1-1/8" thick thermally fused laminate (TFL) with multiple edge options
- 1-1/8" thick high pressure laminate (HPL) with multiple edge options
- 1-1/8" thick plain sawn veneer, quarter sawn and planked random match veneer with multiple edge options
- 1" thick HPL with exposed plywood core
- 1-1/8" thick HPL with MDF core and PVC knife edge
- 1-1/8" thick thermofoil three dimensional laminate (3DL) (select sizes)
- 1-1/2" thick butcher block (select sizes and shapes)
- 1-1/8" thick planked wood (select sizes and shapes)

## rectangular tops



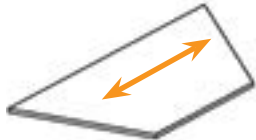
**grain direction:**  
grain direction runs length of the table  
**dimensions:**  
depths: 19", 24" and 30"  
lengths: 36" to 84" in 6" increments

## half round tops



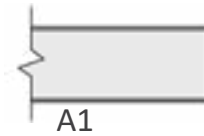
**grain direction:**  
grain direction runs length of the table  
**dimensions:**  
depths: 19", 24" and 30"  
lengths: 38", 48" and 60"

## trapezoid tops



**grain direction:**  
grain direction runs length of the table  
**dimensions:**  
depths: 19", 24" and 30"  
lengths: 38", 48", 60" and 72"

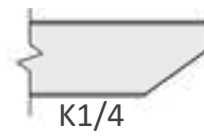
## edges for training tables



A1

### group a

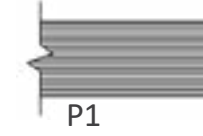
1-1/8" thick top  
2mm PVC edge



K1/4

### group k

1-1/8" thick MDF top  
2mm PVC Knife edge



P1

### group p

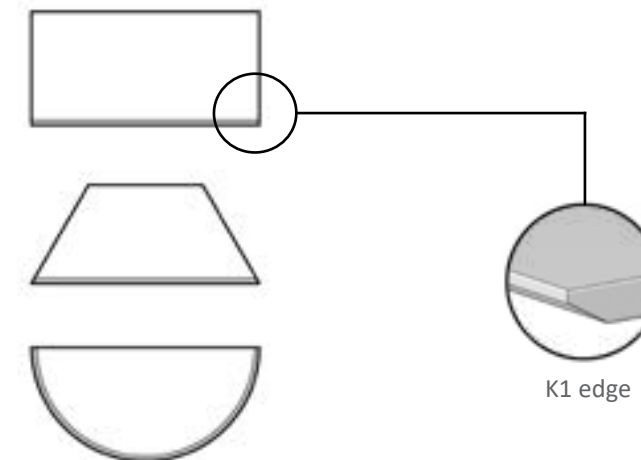
1" thick top  
exposed plywood edge

## user edges for groups k

shading indicates user edges

### user edge only profiled

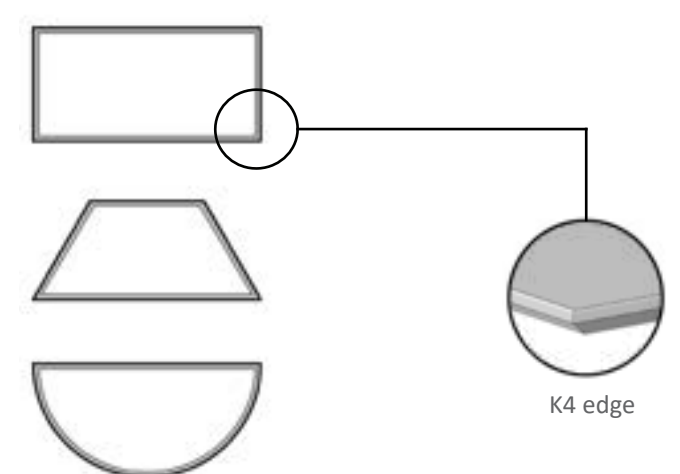
for when tables are to be ganged together



K1 edge

### all edges profiled

for when tables are freestanding



K4 edge

# power grommets

Please see the electrical pricebook for additional information and pricing

## AC-ELV1-01

- (2) power outlets
- (1) convenience outlet on bottom
- (2) RJ-45 keystone knockouts (jacks not included)
- 108" long 15amp plug cord
- standard Finish: Black



surface grommet sold separately



(image shown for reference only)

## AC-ELV1-01-USB

- (2) power outlets
- (2) 2.1A USB charging ports
- (1) convenience outlet on bottom
- (2) RJ-45 keystone knock outs (jacks not included)
- 108" long 15amp plug cord
- standard Finish: Black



surface grommet sold separately



(image shown for reference only)

## AC-ELCV-??

- multiple configurations available
- spill resistant power outlets
- (2) 2.1A USB charging ports
- 108" long 15amp plug cord
- clamp mount
- finishes: Black, Silver, and White



## AC-PWRG-06

- round 3" grommet hole
- spill resistant power outlets
- (1) 2.1A USB charging port
- (1) 1 USB C charging port
- (1) convenience outlet on bottom
- 84" long 15amp plug cord
- mounting ring
- finishes: Black, and White

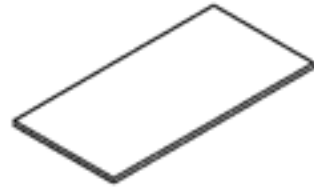


## grommet locations



rectangular table top

TFL and HPL options

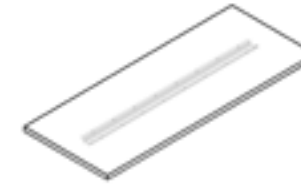


Model Number	Depth	Length	TFL		HPL		
			1-1/8" Thick Standard TFL 2mm PVC	1-1/8" Thick Premium TFL 2mm PVC	1-1/8" Thick Standard HPL 2mm PVC	1-1/8" Thick MDF Core 2mm PVC Knife	1" Thick Plywood Core Exposed Plywood
			T1-A1	T2-A1	H1-A1	H1-K1	H1-P1
<b>19" Deep</b>							
TT-RECT-1936-??-??	19	36	\$272	\$311	\$443	\$514	\$790
TT-RECT-1942-??-??	19	42	\$274	\$313	\$446	\$520	\$802
TT-RECT-1948-??-??	19	48	\$361	\$413	\$611	\$709	\$1,106
TT-RECT-1954-??-??	19	54	\$364	\$416	\$614	\$714	\$1,118
TT-RECT-1960-??-??	19	60	\$365	\$418	\$616	\$720	\$1,131
TT-RECT-1966-??-??	19	66	\$368	\$421	\$619	\$725	\$1,143
TT-RECT-1972-??-??	19	72	\$370	\$424	\$622	\$731	\$1,156
TT-RECT-1978-??-??	19	78	\$458	\$524	\$787	\$920	\$1,458
TT-RECT-1984-??-??	19	84	\$459	\$526	\$790	\$925	\$1,470
<b>24" Deep</b>							
TT-RECT-2436-??-??	24	36	\$274	\$313	\$446	\$519	\$801
TT-RECT-2442-??-??	24	42	\$276	\$316	\$449	\$524	\$813
TT-RECT-2448-??-??	24	48	\$364	\$416	\$614	\$713	\$1,115
TT-RECT-2454-??-??	24	54	\$365	\$418	\$616	\$718	\$1,128
TT-RECT-2460-??-??	24	60	\$368	\$421	\$619	\$725	\$1,141
TT-RECT-2466-??-??	24	66	\$370	\$424	\$622	\$731	\$1,153
TT-RECT-2472-??-??	24	72	\$373	\$427	\$623	\$737	\$1,166
TT-RECT-2478-??-??	24	78	\$458	\$524	\$788	\$925	\$1,469
TT-RECT-2484-??-??	24	84	\$461	\$527	\$791	\$931	\$1,482
<b>30" Deep</b>							
TT-RECT-3036-??-??	30	36	\$361	\$413	\$611	\$707	\$1,103
TT-RECT-3042-??-??	30	42	\$364	\$416	\$614	\$713	\$1,115
TT-RECT-3048-??-??	30	48	\$493	\$564	\$860	\$992	\$1,564
TT-RECT-3054-??-??	30	54	\$495	\$567	\$861	\$999	\$1,577
TT-RECT-3060-??-??	30	60	\$497	\$568	\$864	\$1,005	\$1,589
TT-RECT-3066-??-??	30	66	\$498	\$570	\$867	\$1,011	\$1,602
TT-RECT-3072-??-??	30	72	\$501	\$573	\$869	\$1,016	\$1,614
TT-RECT-3078-??-??	30	78	\$631	\$722	\$1,115	\$1,296	\$2,062
TT-RECT-3084-??-??	30	84	\$632	\$723	\$1,118	\$1,303	\$2,074

- TFL table tops are only available with DeskMakers standard 2MM PVC edgebanding.
- HPL table tops with 2mm PVC edges are only available with DeskMakers standard 2MM PVC edgebanding.
- Units 54" and longer are for use with fliptop bases only.
- DO NOT ORDER UNITS 54" AND LONGER FOR USE WITH POST LEGS OR T-LEGS.
- For rounded corners with a 4" radius use OP-EDGE-RND for an additional \$178 per top.
- Please see Cleaning and Care Guide for maintenance information.

rectangular table top with stiffner bar

TFL and HPL options



Model Number	Depth	Length	TFL		HPL		
			1-1/8" Thick Standard TFL 2mm PVC	1-1/8" Thick Premium TFL 2mm PVC	1-1/8" Thick Standard HPL 2mm PVC	1-1/8" Thick MDF Core 2mm PVC Knife	1" Thick Plywood Core Exposed Plywood
			T1-A1	T2-A1	H1-A1	H1-K1	H1-P1
<b>19" Deep</b>							
TT-RECS-1954-??-??	19	54	\$424	\$485	\$684	\$784	\$1,188
TT-RECS-1960-??-??	19	60	\$426	\$488	\$686	\$790	\$1,201
TT-RECS-1966-??-??	19	66	\$433	\$495	\$695	\$801	\$1,219
TT-RECS-1972-??-??	19	72	\$436	\$498	\$697	\$807	\$1,231
TT-RECS-1978-??-??	19	78	\$538	\$615	\$879	\$1,012	\$1,550
TT-RECS-1984-??-??	19	84	\$539	\$617	\$882	\$1,018	\$1,563
<b>24" Deep</b>							
TT-RECS-2454-??-??	24	54	\$426	\$488	\$686	\$788	\$1,198
TT-RECS-2460-??-??	24	60	\$429	\$491	\$689	\$795	\$1,210
TT-RECS-2466-??-??	24	66	\$436	\$498	\$697	\$807	\$1,229
TT-RECS-2472-??-??	24	72	\$438	\$501	\$699	\$812	\$1,241
TT-RECS-2478-??-??	24	78	\$538	\$615	\$881	\$1,018	\$1,561
TT-RECS-2484-??-??	24	84	\$540	\$618	\$883	\$1,023	\$1,574
<b>30" Deep</b>							
TT-RECS-3054-??-??	30	54	\$555	\$635	\$931	\$1,069	\$1,647
TT-RECS-3060-??-??	30	60	\$556	\$636	\$934	\$1,075	\$1,659
TT-RECS-3066-??-??	30	66	\$564	\$646	\$942	\$1,086	\$1,677
TT-RECS-3072-??-??	30	72	\$566	\$647	\$945	\$1,092	\$1,690
TT-RECS-3078-??-??	30	78	\$710	\$813	\$1,208	\$1,388	\$2,154
TT-RECS-3084-??-??	30	84	\$712	\$814	\$1,210	\$1,395	\$2,167

- TFL table tops are only available with DeskMakers standard 2MM PVC edgebanding.
- HPL table tops with 2mm PVC edges are only available with DeskMakers standard 2MM PVC edgebanding.
- For use with Post Legs and T-Legs only.
- Stiffener bar sizes: 48" for 54" & 60" tops, 60" for 66" & 72" tops, 72" for 78" & 84" tops.
- DO NOT ORDER FOR USE WITH FLIP TOP BASES
- For rounded corners with a 4" radius use OP-EDGE-RND for an additional \$178 per top.
- Please see Cleaning and Care Guide for maintenance information.



### half round table top

TFL and HPL options



TFL		HPL					
1-1/8" Thick Standard TFL	1-1/8" Thick Premium TFL	1-1/8" Thick Standard HPL	1-1/8" Thick MDF Core	1" Thick Plywood Core			
2mm PVC	2mm PVC	2mm PVC	2mm PVC Knife	Exposed Plywood			
Model Number	Depth	Length	T1-A1	T2-A1	H1-A1	H1-K1	H1-P1
TT-HRND-1938-??-??	19	38	\$374	\$427	\$592	\$810	\$997
TT-HRND-2448-??-??	24	48	\$470	\$538	\$744	\$953	\$1,191
TT-HRND-3060-??-??	30	60	\$683	\$782	\$1,079	\$1,126	\$1,380

- TFL table tops are only available with DeskMakers standard 2MM PVC edgebanding.
- HPL table tops with 2mm PVC edges are only available with DeskMakers standard 2MM PVC edgebanding.
- Units 54" and longer come standard with an anti-sag stiffener bar.
- For use with four Post Legs or two T-Legs only.
- DO NOT ORDER FOR USE WITH FLIP TOP BASES WITH STEEL BEAM CROSSE BAR.
- Please see Cleaning and Care Guide for maintenance information.

### trapezoid table top

TFL and HPL options



TFL		HPL					
1-1/8" Thick Standard TFL	1-1/8" Thick Premium TFL	1-1/8" Thick Standard HPL	1-1/8" Thick MDF Core	1" Thick Plywood Core			
2mm PVC	2mm PVC	2mm PVC	2mm PVC Knife	Exposed Plywood			
Model Number	Depth	Length	T1-A1	T2-A1	H1-A1	H1-K1	H1-P1
TT-TRPZ-1938-??-??	19	19-38	\$344	\$394	\$544	\$615	\$776
TT-TRPZ-2448-??-??	24	24-48	\$355	\$406	\$561	\$718	\$876
TT-TRPZ-2460-??-??	24	36-60	\$518	\$593	\$817	\$874	\$1,040
TT-TRPZ-3060-??-??	30	30-60	\$580	\$663	\$916	\$1,112	\$1,191
TT-TRPZ-4272-??-??	30	42-72	\$670	\$766	\$1,056	\$1,126	\$1,921

- TFL table tops are only available with DeskMakers standard 2MM PVC edgebanding.
- HPL table tops with 2mm PVC edges are only available with DeskMakers standard 2MM PVC edgebanding.
- Units 54" and longer come standard with an anti-sag stiffener bar.
- For use with four Post Legs or two T-Legs only.
- DO NOT ORDER FOR USE WITH FLIP TOP BASES WITH STEEL BEAM CROSSE BAR.
- Please see the Materials Specification Guide for specifications and finishes.

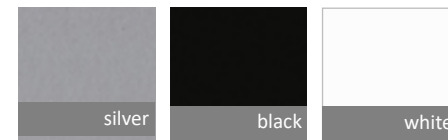
# newport bases



## details

- 2-3/8" diameter column and feet
- fully welded construction
- glides have 3/8" long stem
- casters are 2-3/8" high, 2" black nylon wheels
- 14 gauge tube steel with 25% recycled content
- powdercoat finish
- available in flip-top and fixed bases

## finishes



## flip-top bases

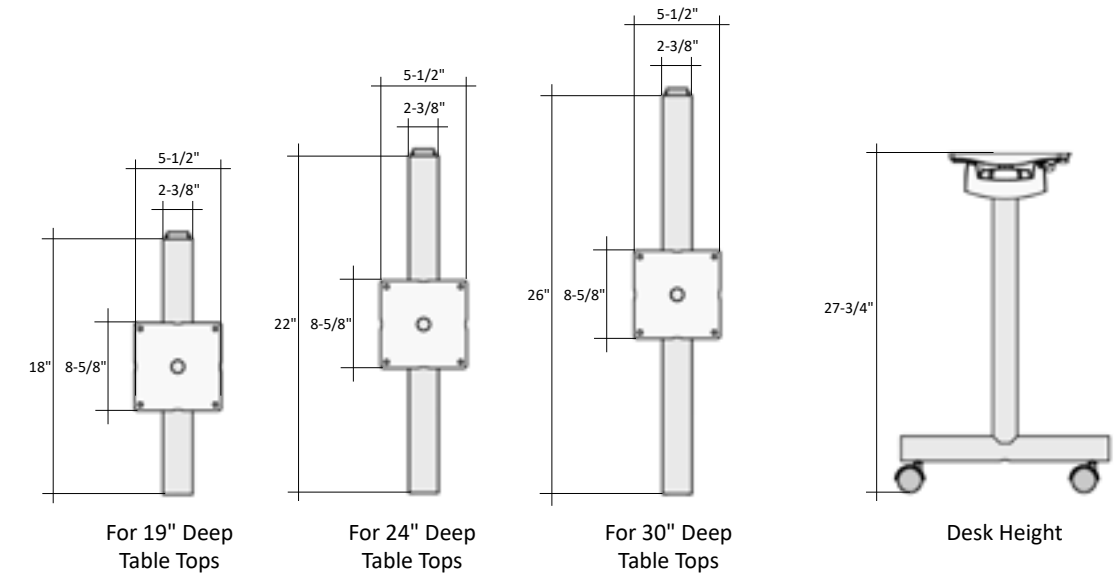
- worksurfaces lock in both flat and upright positions
- paddle release handle is standard underneath the surface and can be operated with one hand
- user side flips up
- hinged modesty panels should be used with flip-top bases
- standard with 2 locking and 2 non-locking casters

## table tops for newport flip-top bases



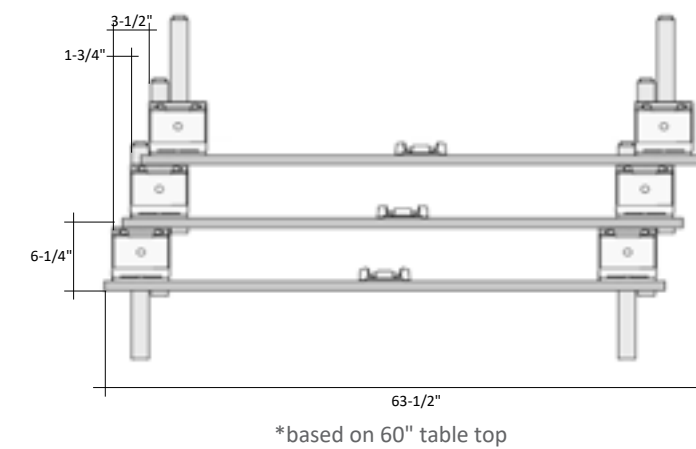
rectangular  
\*specify table tops without stiffener bar

## dimensions



## nesting dimensions

tables can be nested together for storage when placed in the upright position



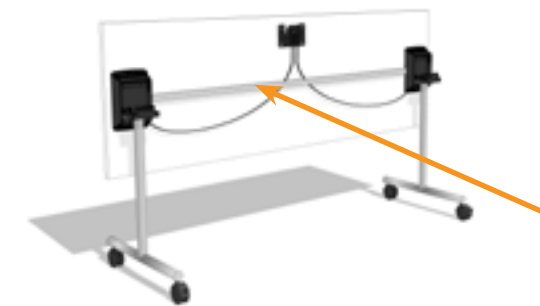
## newport flip-top bases



### pricing

Model Number	Table Top Size	Base Height	Base Size	Bases Included	Price
ML-FT05-19-SET-??	19" deep	27 3/4	18	2	\$1,236
ML-FT05-24-SET-??	24" deep	27 3/4	22	2	\$1,246
ML-FT05-30-SET-??	30" deep	27 3/4	26	2	\$1,277

- To order, replace "??" with SV for Silver Metallic, BK for Black or WT for White finish.  
 - Table tops 54" and longer require anti-sag stiffener bar.



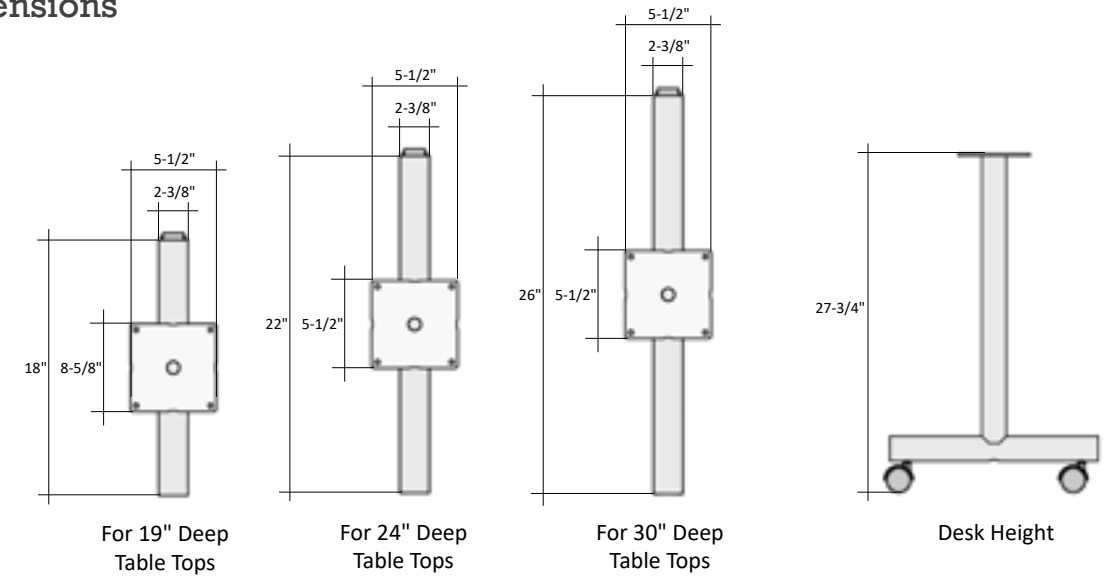
Stiffener bar required to support tables 54" and longer. When paired with Flip-top bases, stiffener bars should be 15" less than the width of the top.

### pricing

Model Number	Bar Length	Table Top Size	Price
AC-RDSR-39	39	54	\$116
AC-RDSR-45	45	60	\$124
AC-RDSR-51	51	66	\$127
AC-RDSR-57	57	72	\$138
AC-RDSR-63	63	78	\$151
AC-RDSR-69	69	84	\$162

## newport fixed t-leg details

### dimensions



### table tops for newport fixed bases



\*table tops 54" and longer require stiffener bar

### pricing

Model Number	Table Top Size	Base Height	Base Size	Bases Included	Price
<b>Levelers</b>					
ML-TLG1-19-SET-??	19" deep	27 3/4	18	2	\$524
ML-TLG1-24-SET-??	24" deep	27 3/4	22	2	\$532
ML-TLG1-30-SET-??	30" deep	27 3/4	26	2	\$557
<b>Casters</b>					
ML-TLG2-19-SET-??	19" deep	27 3/4	18	2	\$584
ML-TLG2-24-SET-??	24" deep	27 3/4	22	2	\$593
ML-TLG2-26-SET-??	30" deep	27 3/4	26	2	\$618

- To order, replace "??" with SV for Silver Metallic, BK for Black or WT for White finish.  
 - Table tops 54" and longer require anti-sag stiffener bar.

# venice bases

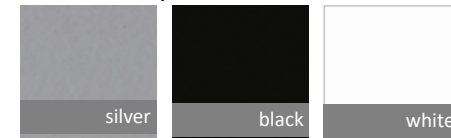


### details

- 2-1/4" steel column and feet are cast aluminum
- fully welded construction of top plate to column
- aluminum feet are bolted to steel column, field assembly required
- glides have 3/4" long stem
- 13 gauge tube steel

### finishes

standard - powdercoat



### flip-top bases

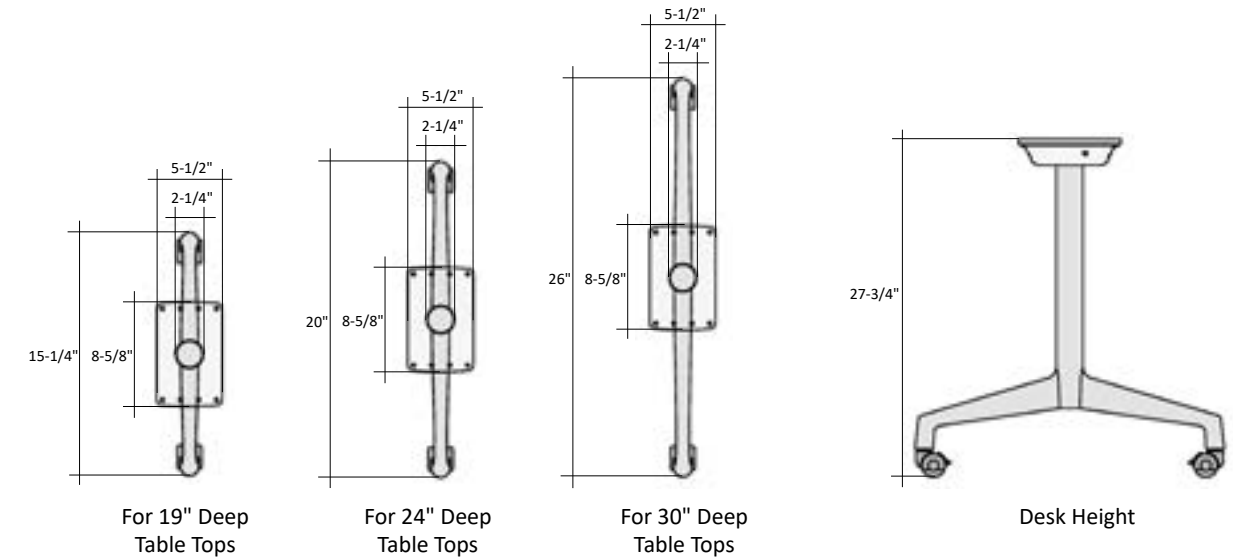
- worksurfaces lock in both flat and upright positions
- does not include a steel beam cross bar
- paddle release handle is standard underneath the surface and can be operated with one hand
- user side flips up
- hinged modesty panels should be used with flip-top bases
- standard with 2 locking and 2 non-locking casters
- solid wood table tops cannot be used on flip-top bases

### table tops for venice fixed bases



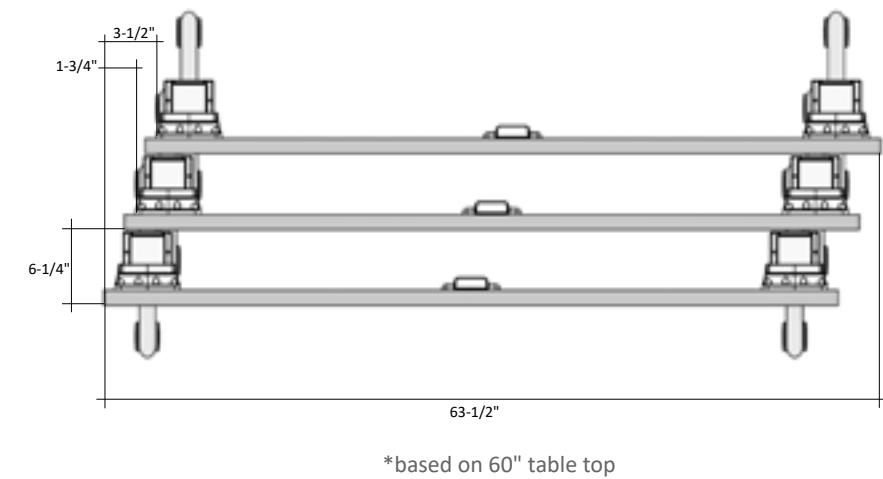
rectangular trapezoid half-round  
\*table tops 54" and longer require stiffener bar

### dimensions



### nesting dimensions

tables can be nested together for storage when placed in the upright position



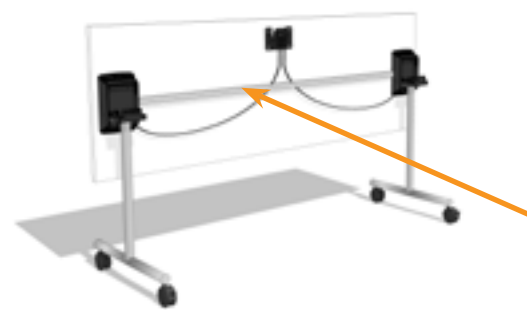
## venice flip-top t-leg base



### pricing

Model Number	Table Top Size	Base Height	Base Size	Bases Included	Pricing
ML-FT04-15-SET-??	19" deep	27 3/4"	15 1/4"	2	\$1,337
ML-FT04-20-SET-??	24" deep	27 3/4"	20"	2	\$1,383
ML-FT04-26-SET-??	30" deep	27 3/4"	26"	2	\$1,433

- To order, replace "???" with SV for Silver Metallic, BK for Black or WT for White finish.  
 - Table tops 54" and longer require anti-sag stiffener bar.



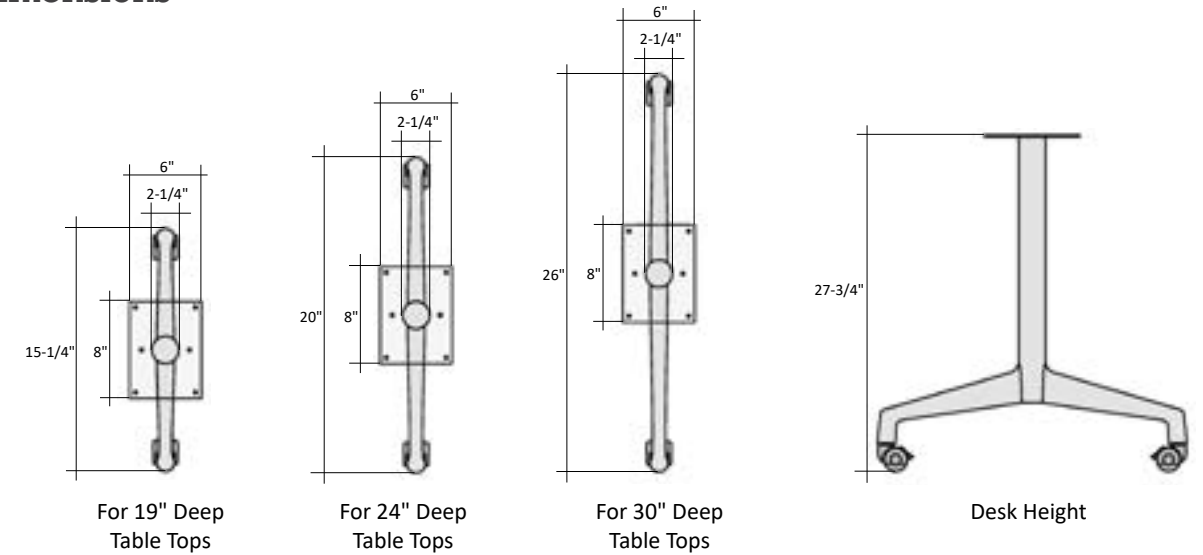
Stiffener bar required to support tables 54" and longer. When paired with Flip-top bases, stiffener bars should be 15" less than the width of the top.

### pricing

Model Number	Bar Length	Table Top Size	Pricing
AC-RDSR-39	39	54	\$116
AC-RDSR-45	45	60	\$124
AC-RDSR-51	51	66	\$127
AC-RDSR-57	57	72	\$138
AC-RDSR-63	63	78	\$151
AC-RDSR-69	69	84	\$162

## venice fixed t-leg base

### dimensions



### table tops for venice fixed bases



\*table tops 54" and longer require stiffener bar

### pricing

Model Number	Table Top Size	Base Height	Base Size	Bases Included	Pricing
<b>Levelers</b>					
ML-PRPL-TL15-SET-??	19" deep	27 3/4"	15 1/4"	2	\$597
ML-PRPL-TL20-SET-??	24" deep	27 3/4"	20"	2	\$636
ML-PRPL-TL26-SET-??	30" deep	27 3/4"	26"	2	\$678
<b>Casters</b>					
ML-PRPL-TC15-SET-??	19" deep	27 3/4"	15 1/4"	2	\$670
ML-PRPL-TC20-SET-??	24" deep	27 3/4"	20"	2	\$709
ML-PRPL-TC26-SET-??	30" deep	27 3/4"	26"	2	\$753

- To order, replace "???" with SV for Silver Metallic, BK for Black or WT for White finish.  
 - Table tops 54" and longer require anti-sag stiffener bar.

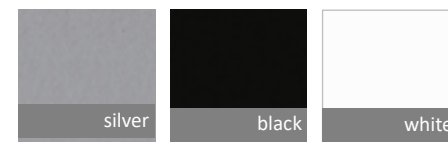
# cabrillo base



## details

- 2" diameter column and feet are 1-3/8" diameter
- fully welded construction of top plate to column
- glides have 3/8" long stem
- casters are 2-3/8" high, 2" black nylon wheels
- 14 gauge tube steel with 25% recycled content
- powdercoat finish
- available in fixed height with levelers or casters

## finishes



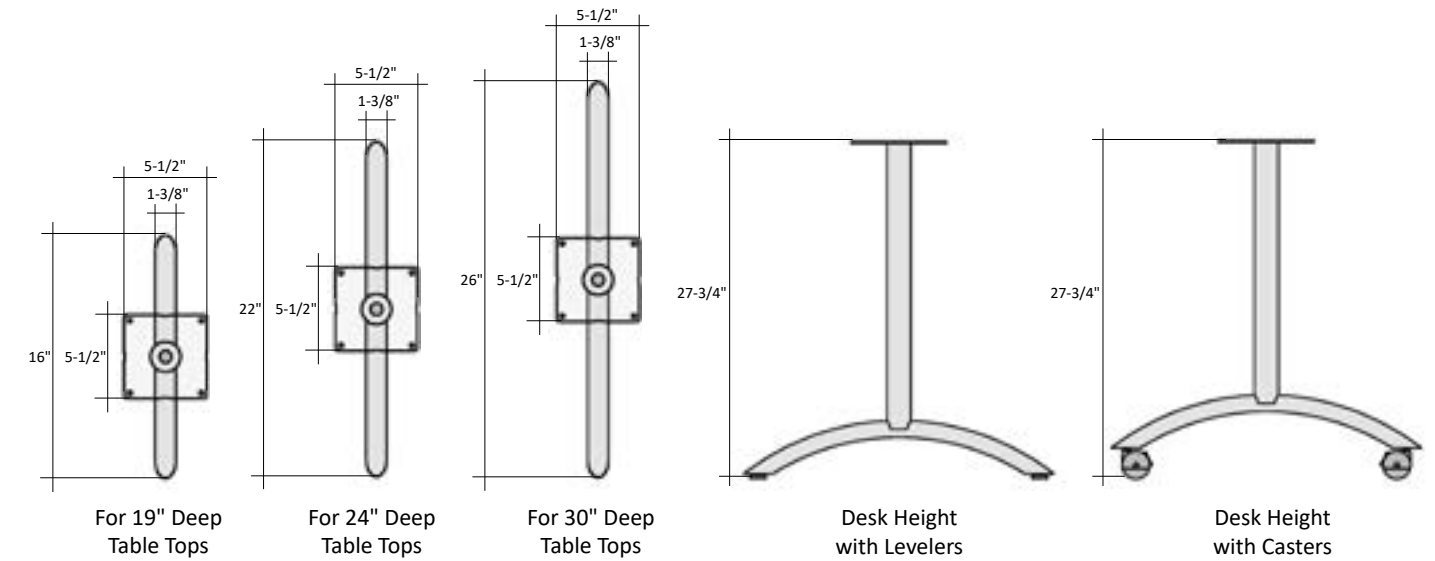
## table tops for cabrillo fixed bases



rectangular trapezoid half-round

\*table tops 54" and longer require stiffener bar

## dimensions



## pricing

Model Number	Table Top Size	Base Height	Base Size	Bases Included	Price
<b>Levelers</b>					
ML-TLG8-16-SET-??	19" deep	27 3/4	16	2	\$593
ML-TLG8-22-SET-??	24" deep	27 3/4	22	2	\$593
ML-TLG8-26-SET-??	30" deep	27 3/4	26	2	\$609
<b>Casters</b>					
ML-TLG9-15-SET-??	19" deep	27 3/4	16	2	\$653
ML-TLG9-20-SET-??	24" deep	27 3/4	22	2	\$653
ML-TLG9-26-SET-??	30" deep	27 3/4	26	2	\$670

- To order, replace "??" with SV for Silver Metallic, BK for Black or WT for White finish.  
 - Table tops 54" and longer require anti-sag stiffener bar.

# strands legs



## round post details

- 2" diameter column
- fully welded construction of top plate to column
- glides have 3/8" long stem
- casters are 2-3/8" high, 2" black nylon wheels
- 14 gauge tube steel
- powdercoat finish

## square post details

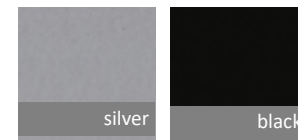
- 2-1/2" x 2-1/2" column
- fully welded construction of top plate to column
- each leg has one leveling glide located at the bottom of each leg and provides 1-1/2" of adjustment.
- 14 gauge tube steel
- powdercoat finish

## table tops for strands legs

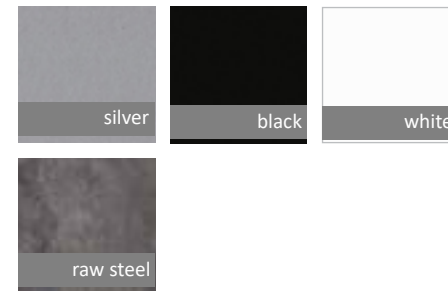


\*table tops 54" and longer require stiffener bar  
 \*maximum table top size is 36" x 72"

## round post finishes



## square post finishes



levelers



casters

## round post pricing

Model Number	Base Height	Base Size	Legs Included	Price
<b>Levelers</b>				
TT-RPST-02-SET-BK	27 3/4	2	4	\$447
TT-RPST-02-SET-SV	27 3/4	2	4	\$447
<b>Casters</b>				
TT-RPST-03-SET-BK	27 3/4	2	4	\$443
TT-RPST-03-SET-SV	27 3/4	2	4	\$526



## square post pricing

Model Number	Base Height	Base Size	Legs Included	Price
TT-RPST-14-SET-SV	27 3/4	2 1/2	4	\$710
TT-RPST-14-SET-BK	27 3/4	2 1/2	4	\$782
TT-RPST-14-SET-WT	27 3/4	2 1/2	4	\$782
TT-RPST-14-SET-RW	27 3/4	2 1/2	4	\$782

**lamine fixed modesty panel**

12" high



Model Number	Height	Width	TFL (T)	HPL w/PVC (H)
TT-LMOD-1232-?	12	32	\$169	\$287
TT-LMOD-1234-?	12	34	\$172	\$289
TT-LMOD-1236-?	12	36	\$175	\$295
TT-LMOD-1238-?	12	38	\$177	\$297
TT-LMOD-1240-?	12	40	\$181	\$303
TT-LMOD-1242-?	12	42	\$185	\$310
TT-LMOD-1244-?	12	44	\$188	\$317
TT-LMOD-1246-?	12	46	\$190	\$320
TT-LMOD-1248-?	12	48	\$193	\$324
TT-LMOD-1250-?	12	50	\$196	\$329
TT-LMOD-1252-?	12	52	\$197	\$332
TT-LMOD-1254-?	12	54	\$201	\$338
TT-LMOD-1256-?	12	56	\$207	\$350
TT-LMOD-1258-?	12	58	\$216	\$364
TT-LMOD-1260-?	12	60	\$222	\$373
TT-LMOD-1262-?	12	62	\$225	\$376
TT-LMOD-1264-?	12	64	\$234	\$393
TT-LMOD-1266-?	12	66	\$239	\$404
TT-LMOD-1268-?	12	68	\$244	\$412
TT-LMOD-1270-?	12	70	\$251	\$423
TT-LMOD-1272-?	12	72	\$260	\$438

- Grain runs horizontally for all sizes.
- Ships unattached.
- Cannot be used on fliptop tables.

**lamine hinged modesty panel**

12" high



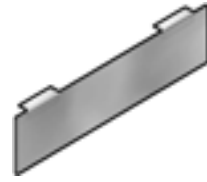
Model Number	Height	Width	TFL (T)	HPL w/PVC (H)
TT-LMDH-1232-?	12	32	\$273	\$461
TT-LMDH-1234-?	12	34	\$274	\$462
TT-LMDH-1236-?	12	36	\$277	\$469
TT-LMDH-1238-?	12	38	\$282	\$475
TT-LMDH-1240-?	12	40	\$283	\$479
TT-LMDH-1242-?	12	42	\$304	\$510
TT-LMDH-1244-?	12	44	\$309	\$522
TT-LMDH-1246-?	12	46	\$311	\$524
TT-LMDH-1248-?	12	48	\$315	\$532
TT-LMDH-1250-?	12	50	\$334	\$562
TT-LMDH-1252-?	12	52	\$337	\$565
TT-LMDH-1254-?	12	54	\$340	\$572
TT-LMDH-1256-?	12	56	\$343	\$576
TT-LMDH-1258-?	12	58	\$359	\$607
TT-LMDH-1260-?	12	60	\$365	\$615
TT-LMDH-1262-?	12	62	\$368	\$621
TT-LMDH-1264-?	12	64	\$369	\$622
TT-LMDH-1266-?	12	66	\$390	\$656
TT-LMDH-1268-?	12	68	\$393	\$662
TT-LMDH-1270-?	12	70	\$397	\$670
TT-LMDH-1272-?	12	72	\$401	\$676

- Grain runs horizontally for all sizes.
- Ships unattached.
- Ships with hinges. For use on fliptop tables.



unframed acrylic modesty panel

12" high



Model Number	Height	Width	3/16" Frosted Acrylic (A)
TT-AMOD-1232	12	32	\$390
TT-AMOD-1234	12	34	\$401
TT-AMOD-1236	12	36	\$412
TT-AMOD-1238	12	38	\$422
TT-AMOD-1240	12	40	\$434
TT-AMOD-1242	12	42	\$442
TT-AMOD-1244	12	44	\$451
TT-AMOD-1246	12	46	\$466
TT-AMOD-1248	12	48	\$476
TT-AMOD-1250	12	50	\$540
TT-AMOD-1252	12	52	\$549
TT-AMOD-1254	12	54	\$561
TT-AMOD-1256	12	56	\$574
TT-AMOD-1258	12	58	\$582
TT-AMOD-1260	12	60	\$593
TT-AMOD-1262	12	62	\$603
TT-AMOD-1264	12	64	\$613
TT-AMOD-1266	12	66	\$622
TT-AMOD-1268	12	68	\$635
TT-AMOD-1270	12	70	\$645
TT-AMOD-1272	12	72	\$655

- Ships unattached.
- Cannot be used on fliptop tables.

training table connecting bracket

for leveling applications



Model Number	Price
AC-BRKT-TT	\$24

- Two brackets with screws
- Use to connect tables where the strength of the connection is paramount and reconfigurations will occur infrequently.
- Includes two brackets and screws.
- Must be field installed.

training table ganging connector bracket



Model Number	Price
TT-BRKT-GANG	\$54

- One bracket consisting of two symmetrical pieces
- Use to connect tables that will be frequently disconnected and reconfigured.
- Set includes two symmetrical ganging bracket pieces and screws.
- Must be field installed.
- Not recommended for areas with unlevel floors.



One piece of connector is secured to the underside of each table to be ganged together.



By rotating the ganging pieces, the table is securely ganged together.

# occasional

## table of contents



<b>Occasional Table Tops</b>	150-151
<b>Beacon</b>	152-153
<b>Mission</b>	154-155
<b>Venice</b>	156-157
<b>Zuma</b>	158-159
<b>Torrey</b>	160
<b>Balboa</b>	161
<b>Doheny</b>	162-163
<b>Solana</b>	164-165

### round table top

TFL and HPL options

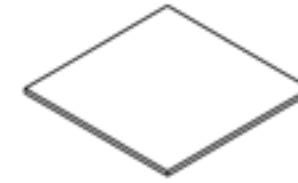


			TFL		HPL		
			1-1/8" Thick Standard TFL	1-1/8" Thick Premium TFL	1-1/8" Thick Standard HPL	1-1/8" Thick MDF Core	1" Thick Plywood Core
			2mm PVC	2mm PVC	2mm PVC	2mm PVC Knife	Exposed Plywood
Model Number	Depth	Length	T1-A1	T2-A1	H1-A1	H1-K1	H1-P1
TP-FULR-1818-??-??	18	18	\$200	\$220	\$315	\$364	\$399
TP-FULR-2020-??-??	20	20	\$248	\$273	\$392	\$453	\$496
TP-FULR-2222-??-??	22	22	\$298	\$328	\$470	\$544	\$596
TP-FULR-2424-??-??	24	24	\$355	\$390	\$617	\$648	\$708
TP-FULR-2626-??-??	26	26	\$416	\$458	\$658	\$762	\$833
TP-FULR-2828-??-??	28	28	\$479	\$527	\$756	\$874	\$957
TP-FULR-3030-??-??	30	30	\$577	\$635	\$909	\$1,053	\$1,152
TP-FULR-3232-??-??	32	32	\$559	\$615	\$884	\$1,134	\$1,255
TP-FULR-3434-??-??	34	34	\$572	\$629	\$903	\$1,229	\$1,328
TP-FULR-3636-??-??	36	36	\$585	\$644	\$925	\$1,313	\$1,404

- TFL worksurfaces are only available with DeskMakers standard 2MM PVC edgebanding.
- HPL worksurfaces with 2mm PVC edges are only available with DeskMakers standard 2MM PVC edgebanding.
- Please see Cleaning and Care Guide for maintenance information.

### square table top

TFL and HPL options

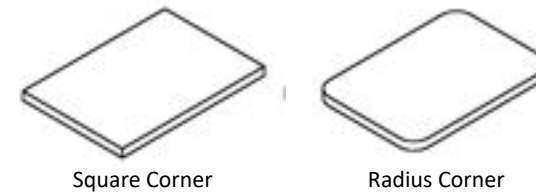


			TFL		HPL		
			1-1/8" Thick Standard TFL	1-1/8" Thick Premium TFL	1-1/8" Thick Standard HPL	1-1/8" Thick MDF Core	1" Thick Plywood Core
			2mm PVC	2mm PVC	2mm PVC	2mm PVC Knife	Exposed Plywood
Model Number	Depth	Length	T1-A1	T2-A1	H1-A1	H1-K1	H1-P1
TP-SQRE-1818-??-??	18	18	\$196	\$215	\$309	\$496	\$618
TP-SQRE-2020-??-??	20	20	\$244	\$268	\$384	\$618	\$768
TP-SQRE-2222-??-??	22	22	\$292	\$321	\$462	\$644	\$813
TP-SQRE-2424-??-??	24	24	\$391	\$430	\$618	\$684	\$884
TP-SQRE-2626-??-??	26	26	\$396	\$435	\$625	\$696	\$888
TP-SQRE-2828-??-??	28	28	\$422	\$464	\$665	\$724	\$925
TP-SQRE-3030-??-??	30	30	\$507	\$558	\$801	\$871	\$992
TP-SQRE-3232-??-??	32	32	\$455	\$501	\$719	\$840	\$996
TP-SQRE-3434-??-??	34	34	\$486	\$535	\$767	\$914	\$1,123
TP-SQRE-3636-??-??	36	36	\$527	\$580	\$834	\$1,031	\$1,313

- TFL worksurfaces are only available with DeskMakers standard 2MM PVC edgebanding.
- HPL worksurfaces with 2mm PVC edges are only available with DeskMakers standard 2MM PVC edgebanding.
- For rounded corners with a 4" radius use OP-EDGE-RND for an additional \$178 per top.
- Please see Cleaning and Care Guide for maintenance information.

### rectangular table tops for zuma laptop tables

TFL and HPL options



			TFL		HPL		
			1-1/8" Thick Standard TFL	1-1/8" Thick Premium TFL	1-1/8" Thick Standard HPL	1-1/8" Thick MDF Core	1" Thick Plywood Core
			2mm PVC	2mm PVC	2mm PVC	2mm PVC Knife	Exposed Plywood
Model Number	Depth	Length	T1-A1	T2-A1	H1-A1	H1-K1	H1-P1
<b>Square Corner</b>							
TP-RECT-1218-??-??	12	18	\$187	\$206	\$230	\$333	\$393
TP-RECT-1420-??-??	14	20	\$203	\$223	\$258	\$376	\$524
<b>Radius Corner</b>							
TP-RECC-1218-??-??	12	18	\$206	\$226	\$254	\$367	\$433
TP-RECC-1420-??-??	14	20	\$223	\$246	\$284	\$415	\$576

- TFL worksurfaces are only available with DeskMakers standard 2MM PVC edgebanding.
- HPL worksurfaces with 2mm PVC edges are only available with DeskMakers standard 2MM PVC edgebanding.
- Please see Cleaning and Care Guide for maintenance information.

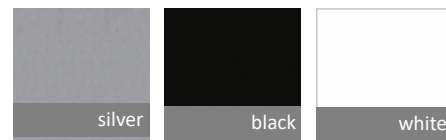
# beacon base



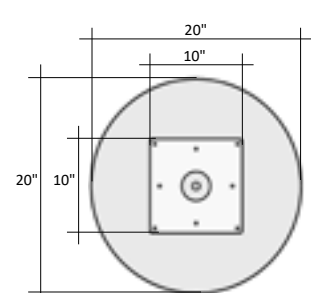
## details

- tables tops are sold separately
- 3" diameter column
- glides have 1/8" adjustability and raise the base 1/4" above the floor
- fully welded construction of top plate to column
- disc is bolted to column, field assembly required
- 14 gauge tube steel with 25% recycled content
- powdercoat finish
- available in occasional, desk and standing heights

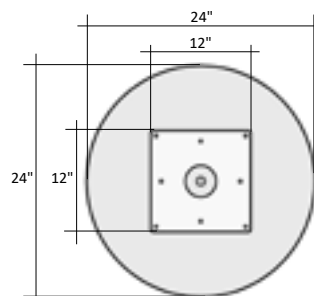
## finishes



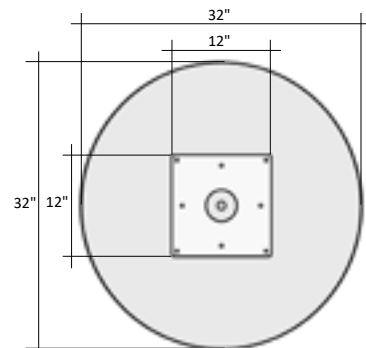
## dimensions



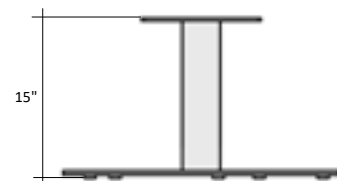
For 24", 30" and 36" Round or 24" or 30" Square Table Tops



For 42" Round or 36" Square Table Tops



For 48" Round or 42" Square Table Tops



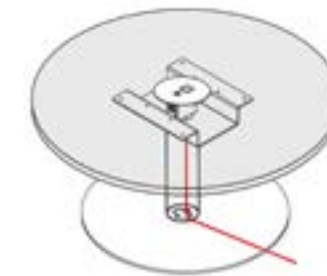
Occasional Height

## pricing

Model Number	Table Top Size	Base Height	Base Size	Bases Included	Price
CF-RDDK-03-20-??	24", 30" or 36" round or 24" or 30" square	15	20	1	\$1,018
CF-RDDK-03-24-??	42" round or 36" square	15	24	1	\$1,074
CF-RDDK-03-32-??	48" round or 42" square	15	32	1	\$1,263

- Includes leveling glides.
- To order, replace "???" with SV for Silver, BK for Black or WT for White finish.

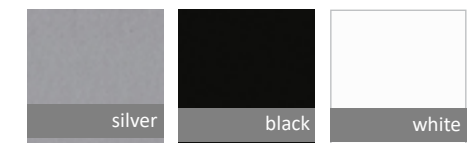
# beacon power base



## details

- tables tops are sold separately
- allows cords to pass through the base and exit at the bottom underneath the disc base
- 4" diameter column
- top plate allows for centered power grommet
- glides have 1/8" adjustability and raise the base 1/4" above the floor
- fully welded construction of top plate to column
- disc is bolted to column, field assembly required
- 14 gauge tube steel with 25% recycled content
- powdercoat finish
- available in occasional, desk and standing heights

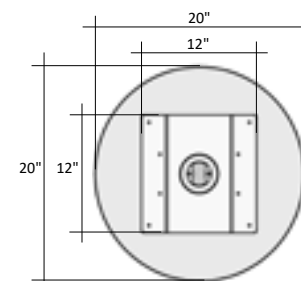
## finishes



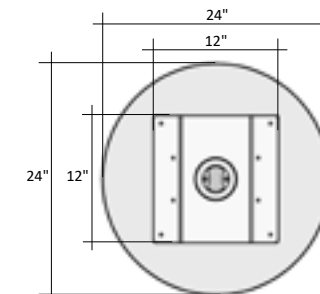
## compliant electrical units

- AC-ELV1-01
- AC-ELV1-01-USB
- AC-ELV1-07
- AC-ELV1-07-USB
- AC-ELCV-1RND
- AC-ELCV-2RND
- All AC-ELCV-?? units, except AC-ELCV-MINI
- AC-PWRG-02
- AC-PWRG-03

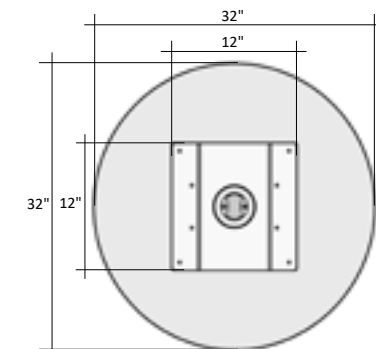
## dimensions



For 24", 30" and 36" Round or 24" or 30" Square Table Tops



For 42" Round or 36" Square Table Tops



For 48" Round or 42" Square Table Tops



Occasional Height

## pricing

Model Number	Table Top Size	Base Height	Base Size	Bases Included	Price
CF-RDDK-EL03-20-??	24", 30" or 36" round or 24" or 30" square	15	20	1	\$1,304
CF-RDDK-EL03-24-??	42" round or 36" square	15	24	1	\$1,359
CF-RDDK-EL03-32-??	48" round or 42" square	15	32	1	\$1,549

- Includes leveling glides.
- To order, replace "???" with SV for Silver, BK for Black or WT for White finish.

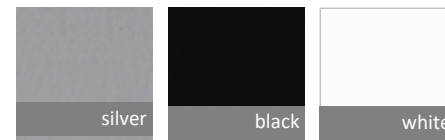
# mission base



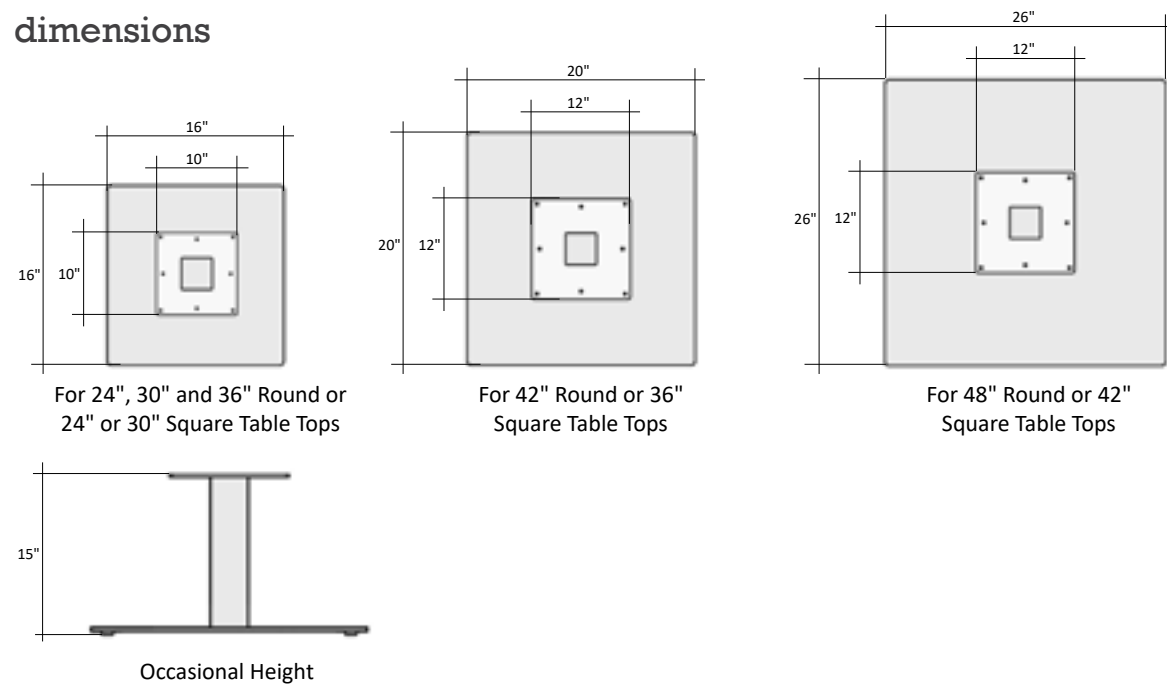
## details

- tables tops are sold separately
- 3" x 3" square column
- top and bottom plates are bolted to column, field assembly required
- glides have 1/8" adjustability and raise the base 1/4" above the floor
- powdercoat finish
- available in occasional, desk and standing heights

## finishes



## dimensions



## pricing

Model Number	Table Top Size	Base Height	Base Size	Bases Included	Price
CF-SQDK-03-16-??	24", 30" or 36" round or 24" or 30" square	15	16	1	\$1,017
CF-SQDK-03-20-??	42" round or 36" square	15	20	1	\$1,073
CF-SQDK-03-26-??	48" round or 42" square	15	26	1	\$1,263

- Includes leveling glides.  
 - To order, replace "??" with SV for Silver, BK for Black or WT for White finish.



# venice x-base

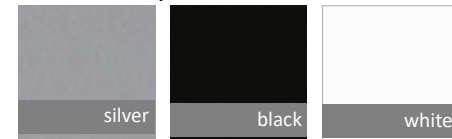


## details

- tables tops are sold separately
- 2-1/4" steel column and feet are cast aluminum
- maximum table size: 54" diameter or 42" square
- available in occasional, desk and standing heights
- fully welded construction of top plate to column
- aluminum feet are bolted to steel column, field assembly required
- glides have 3/4" long stem
- 13 gauge tube steel

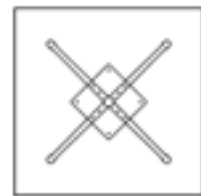
## finishes

standard - powdercoat



## orientation

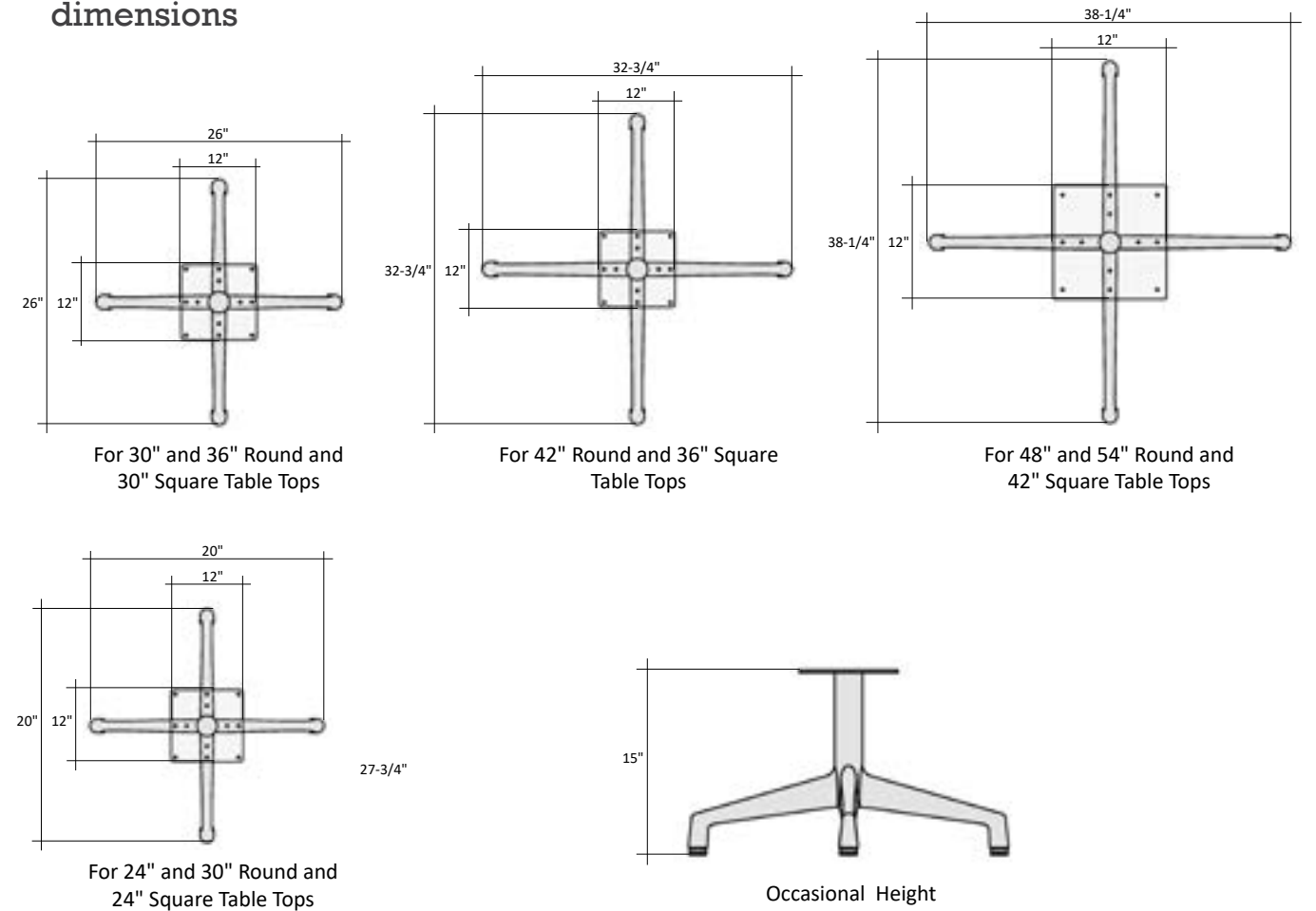
for mounting x-bases on square table tops



## table tops for venice x-bases



## dimensions



## pricing

Model Number	Table Top Size	Base Height	Base Size	Bases Included	Pricing
<b>Occasional Height</b>					
ML-PRPL-03-15-??	18" round; or 18" square	15	15 1/4	1	\$513
ML-PRPL-03-20-??	24" round; or 24" square	15	20	1	\$519
ML-PRPL-03-26-??	30" and 36" round; or 30" square	15	26	1	\$557
ML-PRPL-03-33-??	42" round; or 36" square	15	33 1/4	1	\$612

- Includes leveling glides.
- To order replace "???" with SV for Silver, BK for Black or WT for White finish.

# zuma base

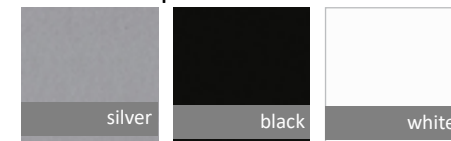


## details

- tables tops are sold separately
- 1-1/2" steel offset column and base
- bolted construction of top and bottom plates to column
- plastic glides for carpet and hard surfaces, no adjustment
- 13 gauge tube steel
- ships unassembled, field assembly required

## finishes

standard - powdercoat



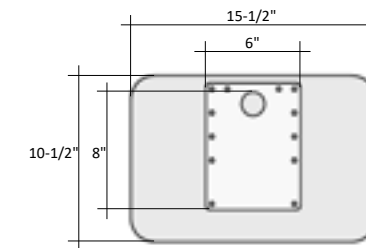
round laptop table



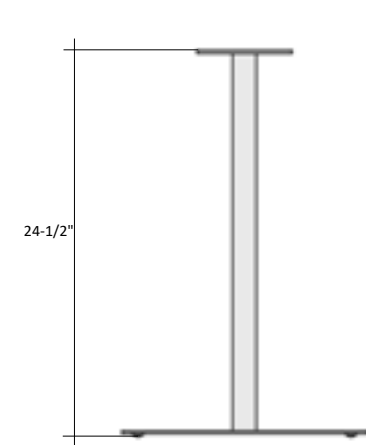
rectangular laptop table



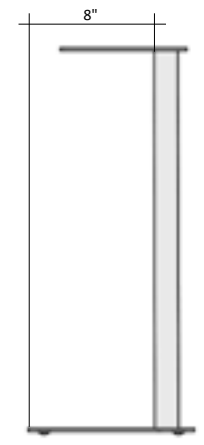
## dimensions



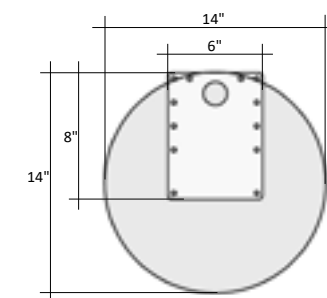
14" x 20" Maximum Rectangular Table Top



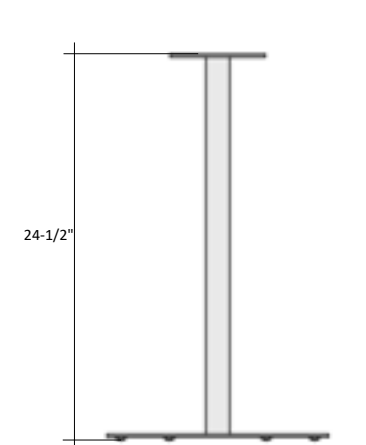
Front View



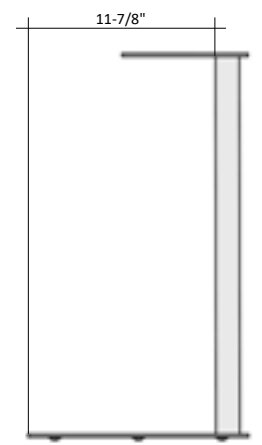
Side View



20" Maximum Diameter Round Table Top



Front View



Side View

## pricing

Model Number	Table Top Size	Base Height	Base Size	Bases Included	Pricing
<b>Round Table</b>					
ML-LAPT-RND	20" round	24 1/4	14	1	\$930
<b>Rectangular Table</b>					
ML-LAPT-RECT	14" x 20" rectangle	24 1/4	15 1/2	1	\$930

- Includes leveling glides.
- To order replace "???" with SV for Silver, BK for Black or WT for White finish.

# torrey leg



## details

- tables tops are sold separately
- built-in wire management through the leg
- heavy gauge steel construction
- powdercoat finish
- made in america

## minimum and maximum table sizes



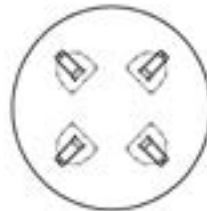
Minimum 26" Square Table Top



Minimum 32" Round Table Top

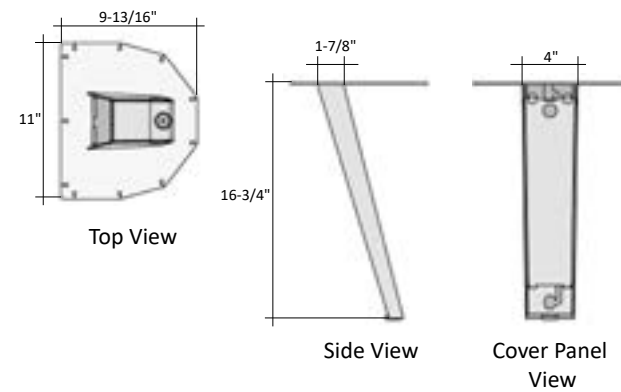


Maximum 48" Square Table Top



Maximum 60" Round Table Top

## dimensions



## pricing

Model Number	MAX Table Top Size	Leg Height	Leg Size	Legs Included	Standard	Premium
<b>Occasional Height</b>						
ML-TRAP-17-??	60" round or 48" square	16 3/4	4	1	\$285	\$312

- May only be used on round tables of 48" or less.
- Includes leveling glides.
- To order, replace "???" with MN for Midnight, HG for Heather Grey, FS for Fresh Snow, AS for Asphalt, BR for Barn Red, BO for Blood Orange, SN for Sunset, LY for Lemon Yellow, DM for Denim, DO for Deep Ocean, HU for Hunter and MO for Moss.

# balboa



## details

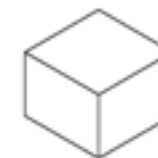
- HPL only
- concealed levelers
- hollow interior
- can accept electrical units

## cylinder table



Model Number	Depth	Width	Height	HPL Only
SS-CYLT-1818	18	18	18	\$1,147
SS-CYLT-2424	24	24	18	\$1,198
SS-CYLT-2429	24	24	29	\$1,302

## square table



Model Number	Depth	Width	Height	HPL Only
SS-CUBE-2020	20	20	18	\$1,156
SS-CUBE-2424	24	24	18	\$1,198
SS-CUBE-2429	24	24	29	\$1,302



# doheny

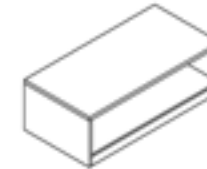


## details

- constructed of all 3/4" material with 1-1/8" thick top
- front and back are open
- available with wood edges
- concealed levelers
- hollow interior
- can accept electrical units



## occasional table coffee table



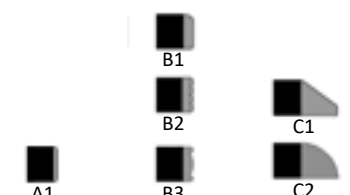
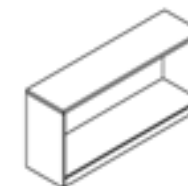
Model Number	Depth	Width	Height	A	B	C
SS-CTBL-2448-??	24	48	16	\$947	\$1,139	\$1,257

## occasional table end table



Model Number	Depth	Width	Height	A	B	C
SS-ETBL-2424-??	24	24	18	\$901	\$1,092	\$1,207

## occasional table sofa table



Model Number	Depth	Width	Height	A	B	C
SS-STBL-1660-??	16	60	29	\$1,036	\$1,222	\$1,333

# solana



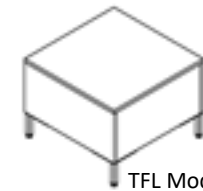
## details

- constructed of all 3/4" material
- legs are 5" high
- levelers are 3/8" high
- TFL model has 2mm PVC edgebanding
- hollow interior
- can accept electrical units



## cube table with legs

5" high steel legs



Model Number	Depth	Width	Height	TFL	HPL
SS-CUBL-2020-?	20	20	18	\$1,073	\$1,555
SS-CUBL-2424-?	24	24	18	\$1,160	\$1,601
SS-CUBL-2429-?	24	24	29	\$1,250	\$1,710

- Units have same legs as used in TeamWorx desking.
- TFL model has 2MM PVC edgebanding.
- Contact customer service for additional sizes.

# storage

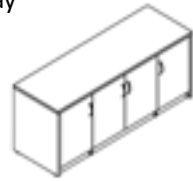
## table of contents



Credenzas	168-170
Lecterns	171
Conference Board	171

**Standard Height Media Credenza**

4 Door - 3 Bay

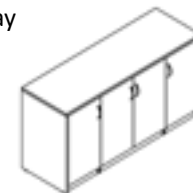


Model Number	Depth	Width	Height	A1	B1	C?
CF-MCRZ-1960-??	19	60	29	\$2,808	\$3,185	\$3,356
CF-MCRZ-1966-??	19	66	29	\$2,829	\$3,211	\$3,382
CF-MCRZ-1972-??	19	72	29	\$2,881	\$3,261	\$3,445
CF-MCRZ-1978-??	19	78	29	\$3,089	\$3,623	\$3,716
CF-MCRZ-2460-??	24	60	29	\$2,846	\$3,351	\$3,395
CF-MCRZ-2466-??	24	66	29	\$2,870	\$3,379	\$3,423
CF-MCRZ-2472-??	24	72	29	\$2,918	\$3,430	\$3,483
CF-MCRZ-2478-??	24	78	29	\$3,127	\$3,664	\$3,756

- Includes adjustable glides.
- 12" x 12" cut-out centered on back panel for wire access and venting.
- No wood edge on back.
- Lock NOT standard. For lock on doors per bay, add OP-LOCK-ADD for \$127. Three locks required for this unit.

**Buffet Height Media Credenza**

4 Door - 3 Bay

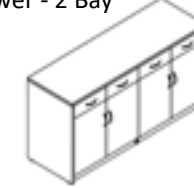


Model Number	Depth	Width	Height	A1	B1	C?
CF-BUFM-1960-??	19	60	36	\$3,191	\$3,703	\$3,747
CF-BUFM-1966-??	19	66	36	\$3,211	\$3,731	\$3,772
CF-BUFM-1972-??	19	72	36	\$3,264	\$3,784	\$3,835
CF-BUFM-1978-??	19	78	36	\$3,474	\$4,014	\$4,106
CF-BUFM-2460-??	24	60	36	\$3,229	\$3,744	\$3,786
CF-BUFM-2466-??	24	66	36	\$3,249	\$3,768	\$3,811
CF-BUFM-2472-??	24	72	36	\$3,302	\$3,822	\$3,874
CF-BUFM-2478-??	24	78	36	\$3,512	\$4,054	\$4,146

- Includes adjustable glides.
- 12" x 12" cut-out centered on back panel for wire access and venting.
- No wood edge on back.
- Lock NOT standard. For lock on doors per bay, add OP-LOCK-ADD for \$127. Three locks required for this unit.

**Buffet Height Credenza with Drawers**

4 Door/4 Drawer - 2 Bay

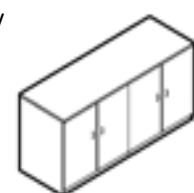


Model Number	Depth	Width	Height	A1	B1	C?
CF-BCRZ-1936-??	19	36	36	\$2,086	\$2,423	\$2,454
CF-BCRZ-1966-??	19	66	36	\$3,629	\$4,159	\$4,201
CF-BCRZ-1972-??	19	72	36	\$3,681	\$4,213	\$4,264
CF-BCRZ-1978-??	19	78	36	\$3,895	\$4,446	\$4,540
CF-BCRZ-2436-??	24	36	36	\$2,138	\$2,444	\$2,474
CF-BCRZ-2466-??	24	66	36	\$3,667	\$4,198	\$4,240
CF-BCRZ-2472-??	24	72	36	\$3,718	\$4,211	\$4,289
CF-BCRZ-2478-??	24	78	36	\$3,932	\$4,223	\$4,319

- Includes adjustable glides.
- No wood edge on back.
- Lock NOT standard. For lock on doors per bay, add OP-LOCK-ADD for \$127. Two locks required for this unit.
- Drawers do not lock.

**Buffet Height Credenza**

4 Door - 2 Bay

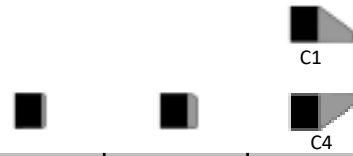
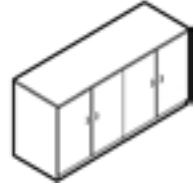


Model Number	Depth	Width	Height	A1	B1	C?
CF-BUFC-1960-??	19	60	36	\$2,905	\$3,411	\$3,452
CF-BUFC-1966-??	19	66	36	\$2,924	\$3,438	\$3,480
CF-BUFC-1972-??	19	72	36	\$2,976	\$3,489	\$3,543
CF-BUFC-1978-??	19	78	36	\$3,187	\$3,721	\$3,816
CF-BUFC-2460-??	24	60	36	\$2,944	\$3,449	\$3,492
CF-BUFC-2466-??	24	66	36	\$2,962	\$3,477	\$3,519
CF-BUFC-2472-??	24	72	36	\$3,013	\$3,527	\$3,581
CF-BUFC-2478-??	24	78	36	\$3,225	\$3,760	\$3,855

- Includes adjustable glides.
- No wood edge on back.
- Lock NOT standard. For lock on doors per bay, add OP-LOCK-ADD for \$127. Two locks required for this unit.

**Standard Height Credenza**

4 Door - 2 Bay



Model Number	Depth	Width	Height	A1	B1	C?
CF-STDB-1960-??	19	60	29	\$2,519	\$3,022	\$3,064
CF-STDB-1966-??	19	66	29	\$2,542	\$3,046	\$3,090
CF-STDB-1972-??	19	72	29	\$2,591	\$3,101	\$3,153
CF-STDB-1978-??	19	78	29	\$2,799	\$3,333	\$3,425
CF-STDB-2460-??	24	60	29	\$2,559	\$3,061	\$3,103
CF-STDB-2466-??	24	66	29	\$2,580	\$3,086	\$3,128
CF-STDB-2472-??	24	72	29	\$2,630	\$3,141	\$3,191
CF-STDB-2478-??	24	78	29	\$2,841	\$3,372	\$3,464

- Includes adjustable glides.
- No wood edge on back.
- Lock NOT standard. For lock on doors per bay, add OP-LOCK-ADD for \$127. Two locks required for this unit.

**Lectern**

Angled Worksurface



Model Number	Depth	Width	Height	Price
CF-LTN1-2437	25	24	37-43	\$1,512

- All 3/4" material.
- Standard with casters.
- Includes grommet in worksurface with pass-thru grommets on middle shelf and bottom for wiring.
- Add OP-LCTN-DOOR for \$312 to add two 28" high doors.

**Lectern**

Flat Worksurface and Keyboard Tray

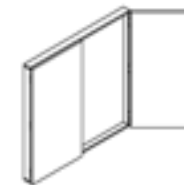


Model Number	Depth	Width	Height	Price
CF-LTN2-2437	25	24	37-43	\$1,760

- All 3/4" material.
- Standard with casters and keyboard tray.
- Flat worksurface is at 38" high.
- Includes grommet in worksurface with pass-thru grommets on middle shelf and bottom for wiring.
- Add OP-LCTN-DOOR for \$312 to add two 28" high doors.

**Conference Board**

2 Door



Model Number	Depth	Width	Height	Price
CF-MDCB-3636	6	36	36	\$2,136
CF-MDCB-4848	6	48	48	\$2,390

- All 3/4" material.
- Standard with laminate on inside of doors. Add OP-CONF-WTDR for \$624 to add white board to both doors.
- Use with special dry-erase markers. Markers not included.
- Full-face (outset) doors.

Please visit [Deskmakers.com](https://deskmakers.com) to view our current [Terms and Conditions](#).

Please visit [Deskmakers.com](https://deskmakers.com) to view our current [Warranty](#).

## Showroom Locations

### Los Angeles

Deskmakers Headquarters  
6525 Flotilla Street  
Commerce, CA 90040

---

# DeskMakers

Phone: 323.264.2260 | Fax: 323.725.6960  
[www.deskmakers.com](http://www.deskmakers.com)