



waste & recycling

PRICE & SPECIFICATION GUIDE

tidy

spruce

Version: 12.01.24
prices effective February 1, 2025

DeskMakers

revisions

03/04/24	Product Launch
08/30/24	Updated finishes and pulls
12/01/24	

table of contents

Laminates	4-5
Lock & Pulls	7
Product Details	8-13
Tidy	14-15
Spruce	16-18
Accessories	19
Terms & Conditions	20
Warranty	21

laminates finishes

thermofuse laminate (TFL)

Pricing shown in this price list applies only to TFL finishes currently included in the DeskMakers finish collection. For the most accurate finish list please see [deskmakers.com](https://www.deskmakers.com).

high pressure laminate (HPL)

Pricing shown in this price list applies only to non-premium HPLs as follows:

- Wilsonart: Solids, Woodgrains, and Abstracts in Matte (-60) finish,
- Formica: Color Portfolio, Woodgrains, and Patterns in Matte (-58) finish
- Pionite: Solids, Woodgrains, and Abstracts in Suede (N) finish
- Arborite: Solids, Woodgrains, Textures and Abstracts in Matte (CA) finish
- Nevamar: Solids, Woodgrains, Stones and Abstracts in ARP (-T) finish

A minimum charge of \$546 net per HPL color will be applied to each order.

Call customer service for pricing for all other HPLs.

Additional lead times required for HPL orders depending on material availability and order complexity.

pulls & hardware

standard pulls

Pulls are included on all drawers and cabinet doors for no upcharge.



101SN



101BL



105SN⁺



103SN



103SN



107SN⁺



115SN



115BL



201SN



125SN^{*}



125BL^{*}



201BL

*The 125SN/BL pull is 7.5" long. On lateral file drawers and larger cabinet doors a longer 12.5" pull in the same style will be used. This may be identified as a "127SN/BL" pull on your acknowledgment.

* 105 and 107 pulls are only available in the silver nickel 'SN' finish.

lock options

combination lock

Combination locks can be added to any door storage unit using AC-LOCK-COM1-SV for \$333 List per lock.



- All metal housing
- Vertical body style
- Operates with a 4-Digit User Code
- Default configuration is multi-user mode - code resets after each use. Assigned user locks available contact customer service
- Cores keyed alike per site
- Two year warranty
- Manager's Key - serves as master key, needed to reset locks with lost combinations
AC-LOCK-COM1-MKEY \$19*
- Core Removal Key - used to change out a core
AC-LOCK-COM1-RKEY \$32
- User Key - used to operate a lock instead of using the combination dials
AC-LOCK-COM1-UKEY \$2
- Code Retrieval Tool - used with Manager's Key to reset a lock with a lost combination
AC-LOCK-COM1-TOOL \$62*



ADA Version - \$364 List
AC-LOCK-COM1-ADA



Manager Key and Code
Retrieval Tool

* At least 1 Manager's Key and 1 Code Retrieval Tool required per project.

keyed lock



details

- Can be added to any storage unit using OP-LOCK-ADD for \$133 per lock.
- 2 keys per lock
- Can "key alike" with other DeskMakers laminate furniture. Use code AC-LOCK-101 to -200 for \$23 List each to specify key number
- To order Master Key use AC-LOCK-MSTR for \$147 List.

digital lock



details

- brushed nickel finish
- black keypad with numbers
- vertical body orientation
- all metal lock housing
- manual dead bolt (turn knob)
- operated with user selected 4-digit code
- shared use application
- override and power bypass
- visual and audible indicator
- powered by 2 lithium CR2450 batteries, battery life is 180,000 cycles with average use

To specify in place of a key lock on any cabinet door, add AC-LOCK-DIG1-SLV for \$504 list.



programming key

- (1) programming key is required for each installation
- initializes new locks
- registers manager bypass key
- overrides user access
- allows management audit/inspection
- provides external power

To specify, add AC-LOCK-VRSA-PKEY for \$204 list.



manager key

- minimum (1) manager key is required for each installation, multiple manager keys may be used
- assigns access credential(s)
- overrides user access (in assigned use functionality)
- allows management audit/inspection
- provides external power

To specify, add AC-LOCK-VRSA-MKEY for \$145 list.

ADA options

US Access Board requires 5% of all locks to be ADA compliant.



ADA compliant knob

Allows door to be opened with one hand and does not require tight grasping, pinching or twisting of the wrist.

To promote universal access, DeskMakers provides the ADA knob by default at no additional charge unless otherwise specified.



user key

Allows user to operate the lock without using a user code. One key per locker.

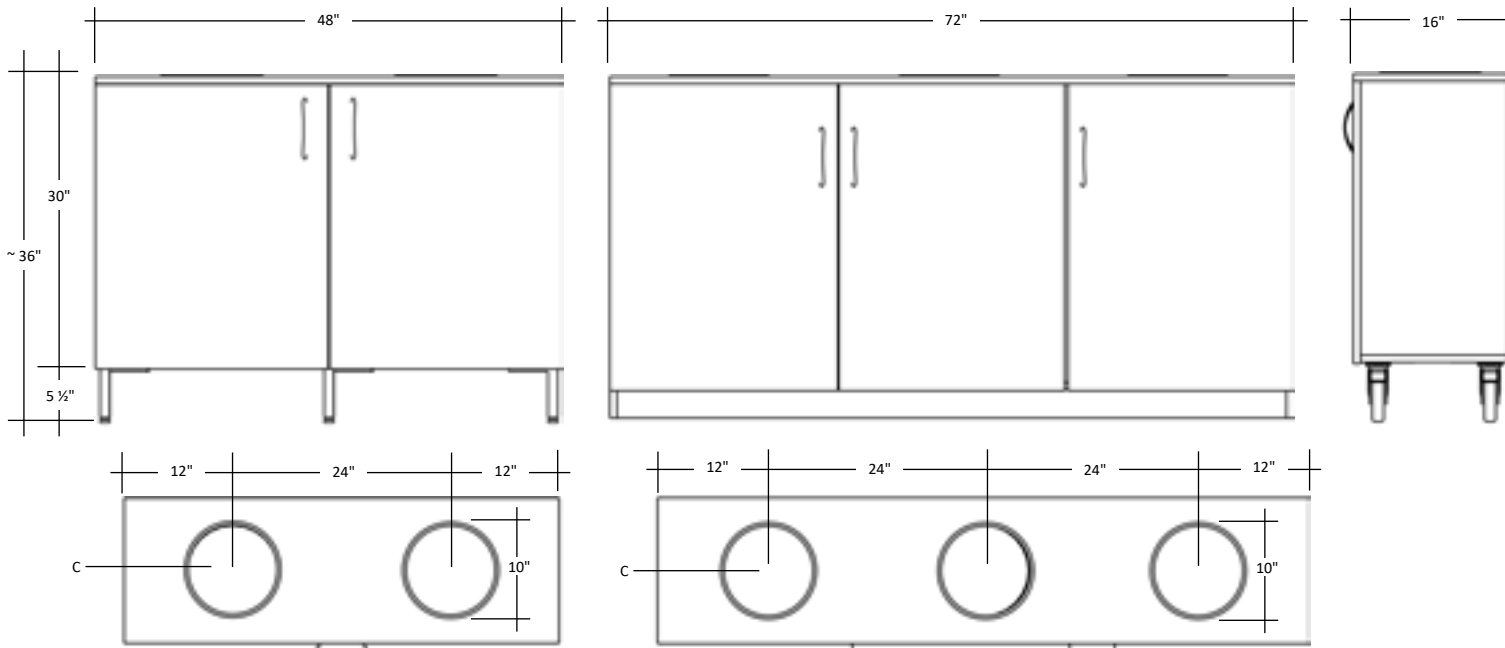
To specify, add AC-LOCK-VRSA-UKEY for \$67 list.

tidy

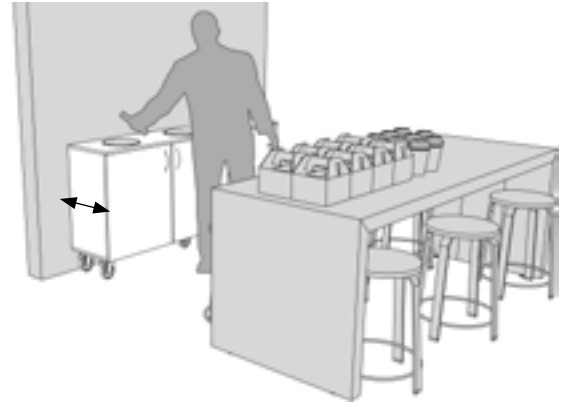


details

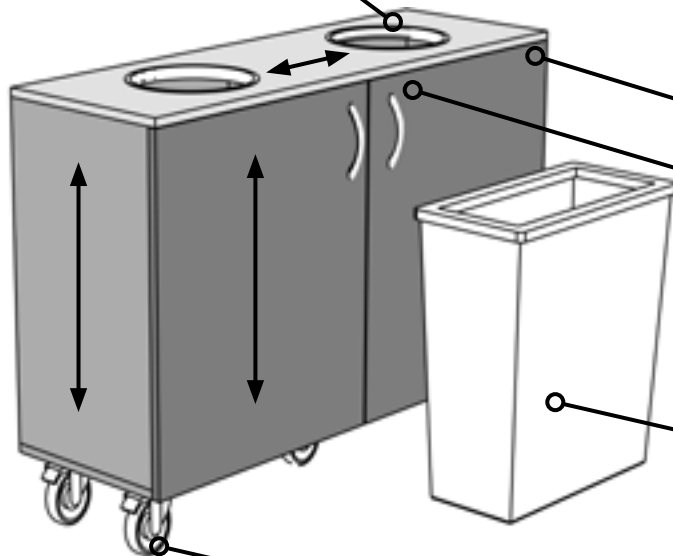
- Units are 16" deep, and approximately 36" tall. Tidy is available in 2 lengths, 48" and 72". No custom sizes are available.
- 3 base styles available. Height will vary slightly by base style.
 - Tidy Leg = 35 1/2"H with adjustable glides.
 - Tidy Plinth = 36"H with adjustable glides
 - Tidy Caster = 36 1/8"H
- All 3/4" thick panels in TFL or HPL with Deskmakers standard 2MM PVC edge banding.
- Tidy is designed to fit the Rubbermaid SlimJim 16 gallon trash bins (included).
- Locks can be added to unit, one per door. See product pricing page for more information.
- Ships assembled.



Tidy's slim depth (16") makes it ideal for hallways and other applications where a larger unit may impede the path of travel.



10" Stainless Steel Grommet



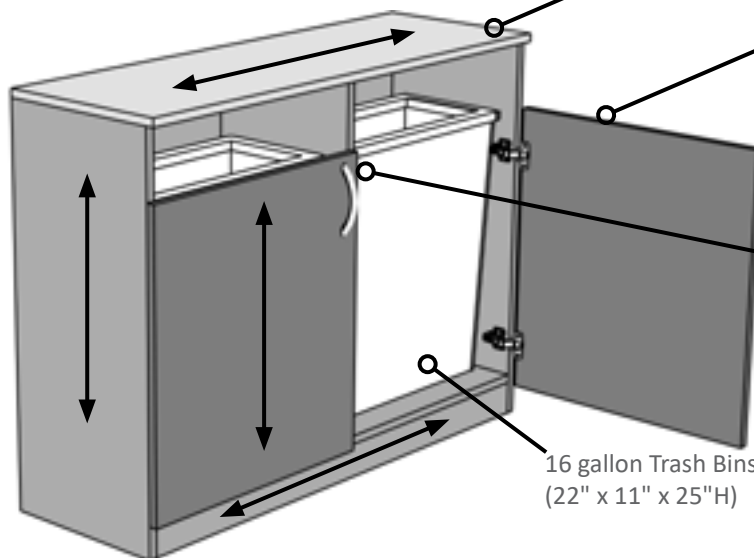
Three finish areas to specify: Top, Chassis, and Doors.

All standard DM Pulls can be used.
Key, Combo or Digilock can be added per door.

16 gallon Trash Bins included.
(22" x 11" x 25"H)

Caster option has locks. Both sizes with have center support leg or caster.

tidy basic



Three finish areas to specify: Top, Chassis, and Doors.

Short door for bin access.

All standard DM Pulls can be used.
Locks can be added per door. key lock recommended.

16 gallon Trash Bins included.
(22" x 11" x 25"H)

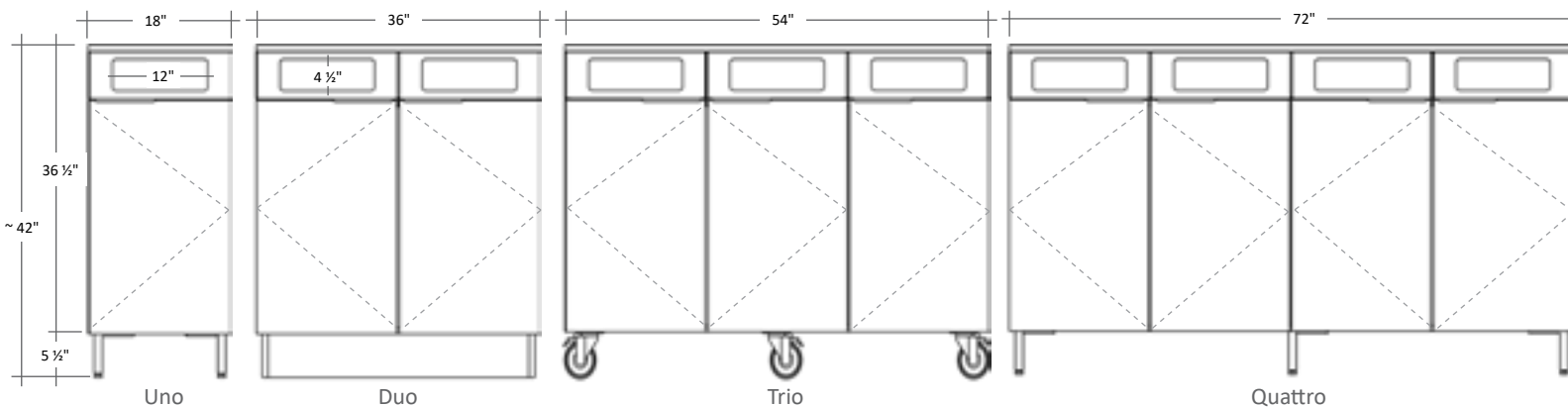
The Tidy Basic is a version of the Tidy Cabinet that is available without the metal grommets. Its all-laminate design makes it the most cost-effective option in the Tidy Collection. Plinth Base only, trash bins still included.

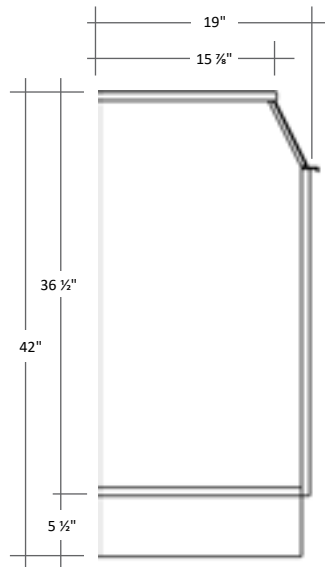
spruce



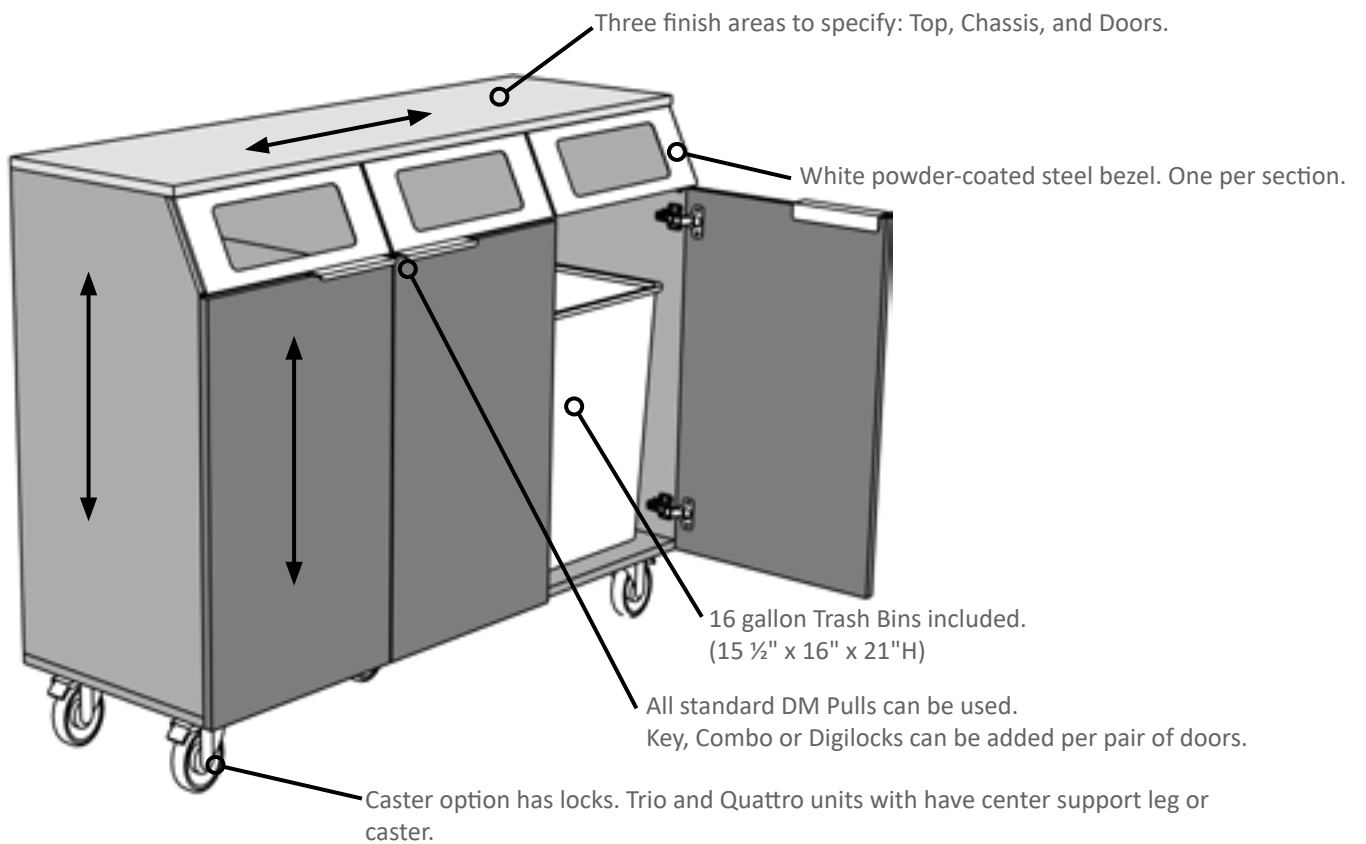
details

- Units are 19" deep, and approximately 42" tall. Spruce is available in 4 widths each accommodating a different number of waste bins. No custom sizes are available.
- Available sizes in the Spruce Collection are:
 - Spruce Uno - 18"W - 1 Waste Bin. Handed. Available Left or Right.
 - Spruce Duo - 36"W - 2 Waste Bins. Nonhanded. Single bay, double door unit.
 - Spruce Trio - 54"W - 3 Waste Bins. Handed. 1 double door bay, 1 single door bay. Available Left or Right.
 - Spruce Quattro - 72"W - 4 Waste Bins. Nonhanded. 2 double door bays.
- 3 base styles available. Height will vary slightly by base style.
 - Spruce Leg = 35 1/2"H with adjustable glides. Glides allow 3/4" adjustability.
 - Spruce Plinth = 36"H with adjustable glides.
 - Spruce Caster = 36 1/8"H
- All 3/4" thick panels in TFL or HPL with Deskmakers standard 2MM PVC edge banding.
- Spruce is designed to fit the Tough Guy 16 gallon trash bins (included).
- Locks can be added to unit, one per bay. See product pricing page for more information.
- Ships assembled.





The Spruce collection is the same depth (19") as many pieces of storage furniture in the Deskmakers line, and the same height as a Bar Height Table (42") or 3-Drawer Filing Cabinet.

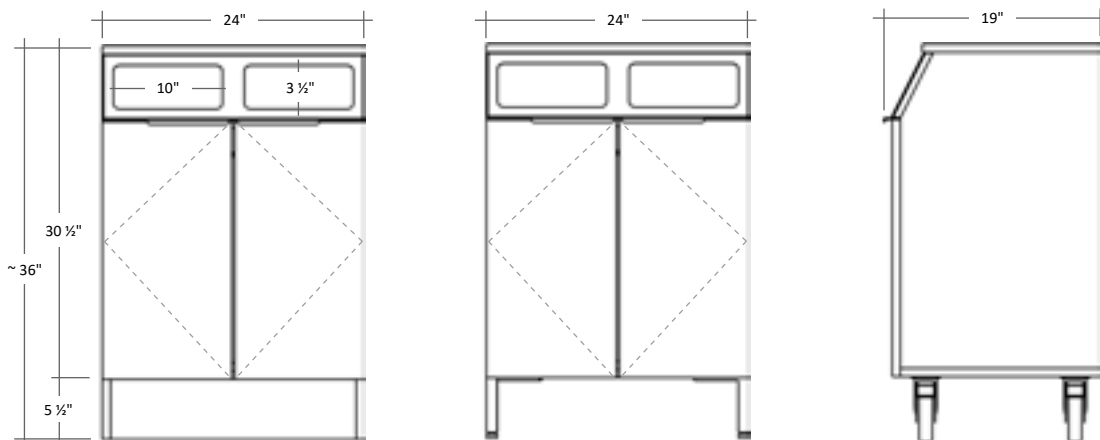


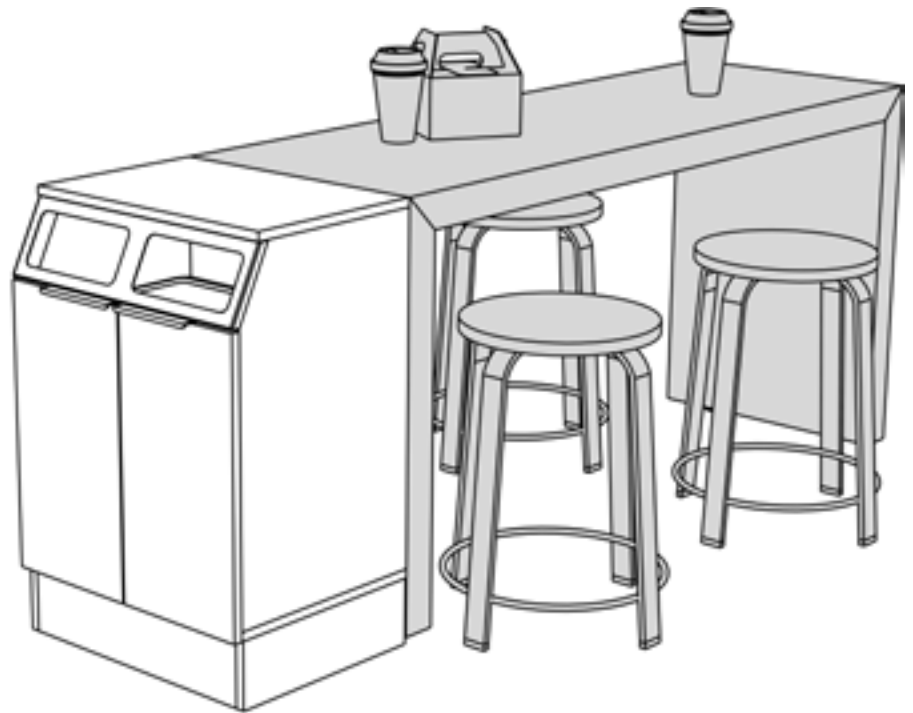
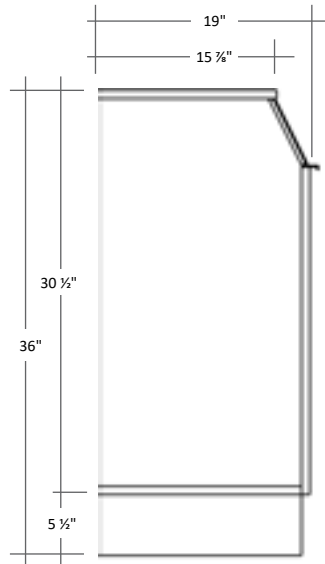
spruce mini



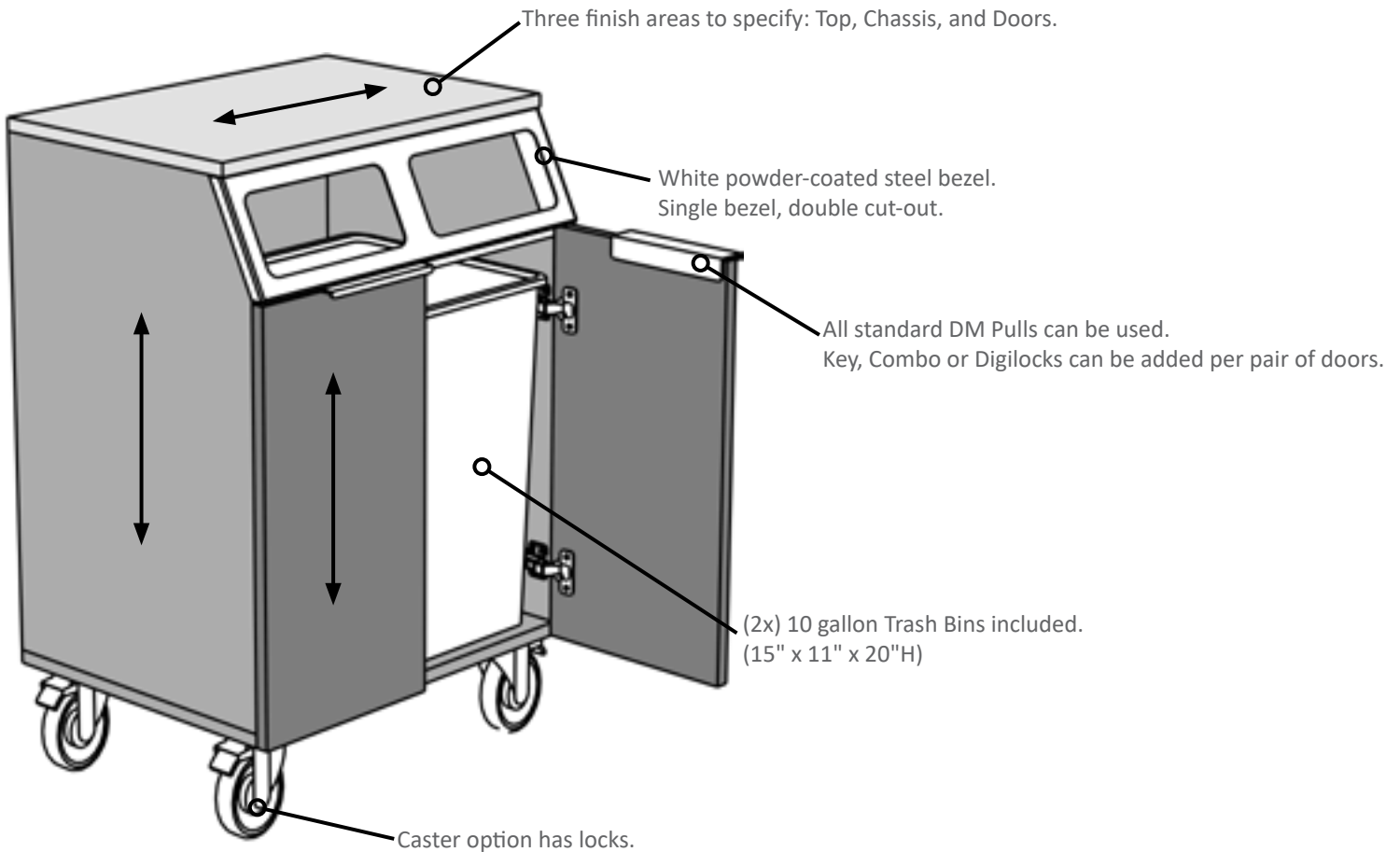
details

- Spruce Mini is 19" deep, 24" wide, and approximately 36" tall. No custom sizes are available.
- 3 base styles available. Height will vary slightly by base style.
 - Spruce Mini Leg = 35 ½"H with adjustable glides. Glides allow ¾" adjustability.
 - Spruce Mini Plinth = 36"H with adjustable glides. Glides allow ½" adjustability.
 - Spruce Mini Caster = 36 ⅝"H
- All 3/4" thick panels in TFL or HPL with Deskmakers standard 2MM PVC edge banding.
- Spruce Mini is a double door, single bay cabinet designed to fit 2 Rubbermaid 10 gallon Office Trash Cans (included).
- A lock can be added to unit, which will apply to both doors. See product pricing page for more information.
- Ships assembled.





The Spruce Mini is the same depth (19") as many pieces of storage furniture in the Deskmakers line, and the same height as a Counter Height Table (36") or a Buffet Height Credenza.



tidy plinth



Model Numbers	Width	Length	Height	Bins	T1	T2	H1	HT
TD-WSTP-1648-??	16	48	36	2	\$2,133	\$2,251	\$3,727	\$2,428
TD-WSTP-1672-L-?? HK-WSTP-1672-R-??	16	72	36	3	\$3,271	\$3,456	\$5,913	\$3,887

- 3/4" thick panels are TFL or HPL with Deskmakers standard 2MM PVC edge banding, HPL self edge not available.
- Top over end panel construction, adjustable levelers.
- 10" trash grommet is Stainless Steel, 1" deep. No other colors/materials available.
- Ships assembled. Includes RubberMaid SlimJim 16 gallon Waste Bins.
- Locks can be added, 1 per door. OP-LOCK-ADD for \$133 for a key lock. AC-LOCK-DIG1-SV for \$504 for digital lock, or AC-LOCK-COM1-SV for \$333 for a combination dial lock. Digital and dial locks may require additional set-up tools, see pages 6-7 for more information.

tidy caster



Model Numbers	Width	Length	Height	Bins	T1	T2	H1	HT
TD-WSTC-1648-??	16	48	36	2	\$2,413	\$2,529	\$4,003	\$2,704
TD-WSTC-1672-L-?? HK-WSTC-1672-R-??	16	72	36	3	\$3,250	\$3,403	\$5,369	\$3,913

- 3/4" thick panels are TFL or HPL with Deskmakers standard 2MM PVC edge banding, HPL self edge not available.
- Top over end panel construction.
- (5x) 6" locking casters with 360° swivel.
- 10" trash grommet is Stainless Steel, 1" deep. No other colors/materials available.
- Ships assembled. Includes RubberMaid SlimJim 16 gallon Waste Bins.
- Locks can be added, 1 per door. OP-LOCK-ADD for \$133 for a key lock. AC-LOCK-DIG1-SV for \$504 for digital lock, or AC-LOCK-COM1-SV for \$333 for a combination dial lock. Digital and dial locks may require additional set-up tools, see pages 6-7 for more information.

tidy leg



Model Numbers	Width	Length	Height	Bins	T1	T2	H1	HT
TD-WSTL-1648-??	16	48	36	2	\$2,498	\$2,614	\$4,088	\$2,789
TD-WSTL-1672-L-?? HK-WSTL-1672-R-??	16	72	36	3	\$3,270	\$3,488	\$5,454	\$3,998

- 3/4" thick panels are TFL or HPL with Deskmakers standard 2MM PVC edge banding, HPL self edge not available.
- Top over end panel construction.
- 5 3/8" Stainless Steel support legs with adjustable glide. 5 or 6 depending on unit size.
- 10" trash grommet is Stainless Steel, 1" deep. No other colors/materials available.
- Ships assembled. Includes RubberMaid SlimJim 16 gallon Waste Bins.
- Locks can be added, 1 per door. OP-LOCK-ADD for \$133 for a key lock. AC-LOCK-DIG1-SV for \$504 for digital lock, or AC-LOCK-COM1-SV for \$333 for a combination dial lock. Digital and dial locks may require additional set-up tools, see pages 6-7 for more information.

tidy basic

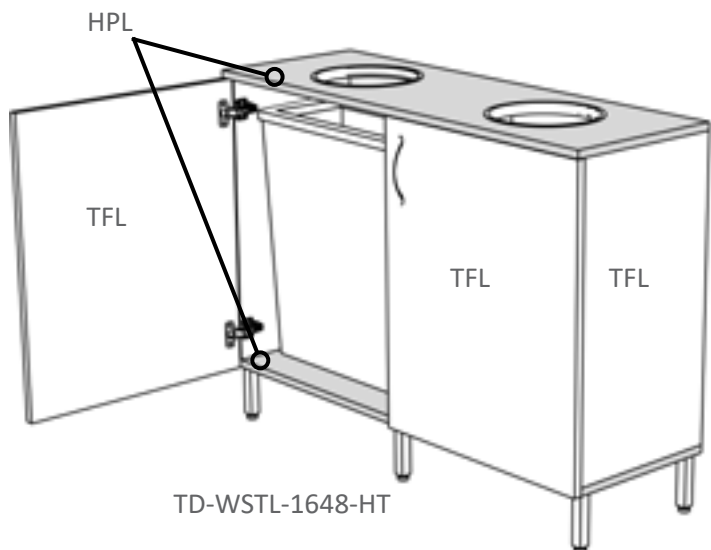


Model Numbers	Width	Length	Height	Bins	T1	T2	H1	HT
TD-WSTV-1648-??	16	48	36	2	\$1,736	\$1,854	\$3,329	\$2,029
TD-WSTV-1672-L-?? HK-WSTV-1672-R-??	16	72	36	3	\$2,675	\$2,860	\$5,319	\$3,296

- 3/4" thick panels are TFL or HPL with Deskmakers standard 2MM PVC edge banding, HPL self edge not available.
- Top over end panel construction, adjustable levelers.
- Ships assembled. Includes RubberMaid SlimJim 16 gallon Waste Bins.
- Locks can be added, 1 per door. OP-LOCK-ADD for \$133 for a key lock. AC-LOCK-DIG1-SV for \$504 for digital lock, or AC-LOCK-COM1-SV for \$333 for a combination dial lock. Digital and dial locks may require additional set-up tools, see pages 6-7 for more information.

a note about finishes:

"HT" is a finish designation specific to this pricebook that refers to a combination HPL/TFL construction where the top and bottom panel of the waste sorting unit are HPL and the remainder is TFL. This configuration can provide maximum durability in applications involving exposure to liquid spills or frequent cleaning, at a lower price point than full HPL construction.



spruce uno



Model Numbers	Width	Length	Height	Bins	T1	T2	H1	HT
with legs								
SP-WSTL-1918-L-?? SP-WSTL-1918-R-??	19	18	42	1	\$1,558	\$1,637	\$2,619	\$1,898
with casters								
SP-WSTC-1918-L-?? SP-WSTC-1918-R-??	19	18	42	1	\$1,542	\$1,621	\$2,603	\$1,876
with plinth								
SP-WSTP-1918-L-?? SP-WSTP-1918-R-??	19	18	42	1	\$1,337	\$1,420	\$2,403	\$1,674

- 3/4" thick panels are TFL or HPL with Deskmakers standard 2MM PVC edge banding, HPL self edge not available.
- Leg version is supported by (4x) 5 3/8" Stainless Steel legs with adjustable glides.
- Caster version is supported by (4x) 6" locking casters with 360° swivel.
- Plinth version has adjustable glides.
- Trash bezel is white powder-coated steel with a 4 1/2"x 12" cut-out. No other colors/materials available.
- Ships assembled. Includes ToughGuy Square 16 gallon Waste Bins. (1 per unit.)
- Locks can be added, 1 per door. OP-LOCK-ADD for \$133 for a key lock. AC-LOCK-DIG1-SV for \$504 for digital lock, or AC-LOCK-COM1-SV for \$333 for a combination dial lock. Digital and dial locks may require additional set-up tools, see pages 6-7 for more information.

spruce duo



Model Numbers	Width	Length	Height	Bins	T1	T2	H1	HT
with legs								
SP-WSTL-1936-??	19	36	42	2	\$2,421	\$2,536	\$4,011	\$2,712
with casters								
SP-WSTC-1936-??	19	36	42	2	\$2,405	\$2,520	\$4,082	\$2,783
with plinth								
SP-WSTP-1936-??	19	36	42	2	\$2,241	\$2,363	\$3,838	\$2,539

- 3/4" thick panels are TFL or HPL with Deskmakers standard 2MM PVC edge banding, HPL self edge not available.
- Leg version is supported by (4x) 5 3/8" Stainless Steel legs with adjustable glides.
- Caster version is supported by (4x) 6" locking casters with 360° swivel.
- Plinth version has adjustable glides.
- Trash bezel is white powder-coated steel with a 4 1/2"x 12" cut-out. No other colors/materials available.
- Ships assembled. Includes ToughGuy Square 16 gallon Waste Bins. (2 per unit.)
- Locks can be added, 1 per unit. OP-LOCK-ADD for \$133 for a key lock. AC-LOCK-DIG1-SV for \$504 for digital lock, or AC-LOCK-COM1-SV for \$333 for a combination dial lock. Digital and dial locks may require additional set-up tools, see pages 6-7 for more information.

spruce trio



Model Numbers	Width	Length	Height	Bins	T1	T2	H1	HT
with legs								
SP-WSTL-1954-L-?? SP-WSTL-1954-R-??	19	54	42	3	\$3,169	\$3,295	\$4,771	\$3,838
with casters								
SP-WSTC-1954-L-?? SP-WSTC-1954-R-??	19	54	42	3	\$3,084	\$3,210	\$4,686	\$3,753
with plinth								
SP-WSTP-1954-L-?? SP-WSTP-1954-R-??	19	54	42	3	\$3,107	\$3,266	\$5,233	\$3,777

- 3/4" thick panels are TFL or HPL with Deskmakers standard 2MM PVC edge banding, HPL self edge not available.
- Leg version is supported by (6x) 5 3/8" Stainless Steel legs with adjustable glides.
- Caster version is supported by (5x) 6" locking casters with 360° swivel.
- Plinth version has adjustable glides.
- Trash bezel is white powder-coated steel with a 4 1/2"x 12" cut-out. No other colors/materials available.
- Ships assembled. Includes ToughGuy Square 16 gallon Waste Bins. (3 per unit.)
- Locks can be added, 2 per unit. (1 double door section, 1 single door.) OP-LOCK-ADD for \$133 for a key lock. AC-LOCK-DIG1-SV for \$504 for digital lock, or AC-LOCK-COM1-SV for \$333 for a combination dial lock. Digital and dial locks may require additional set-up tools, see pages 6-7 for more information.

spruce quattro



Model Numbers	Width	Length	Height	Bins	T1	T2	H1	HT
with legs								
SP-WSTL-1972-??	19	72	42	4	\$4,286	\$4,473	\$6,931	\$4,904
with casters								
SP-WSTC-1972-??	19	72	42	4	\$4,201	\$4,388	\$6,846	\$4,819
with plinth								
SP-WSTP-1972-??	19	72	42	4	\$3,985	\$4,181	\$6,641	\$4,614

- 3/4" thick panels are TFL or HPL with Deskmakers standard 2MM PVC edge banding, HPL self edge not available.
- Leg version is supported by (6x) 5 3/8" Stainless Steel legs with adjustable glides.
- Caster version is supported by (5x) 6" locking casters with 360° swivel.
- Plinth version has adjustable glides.
- Trash bezel is white powder-coated steel with a 4 1/2"x 12" cut-out. No other colors/materials available.
- Ships assembled. Includes ToughGuy Square 16 gallon Waste Bins. (4 per unit.)
- Locks can be added, 2 per unit. (2 double door sections.) OP-LOCK-ADD for \$133 for a key lock. AC-LOCK-DIG1-SV for \$504 for digital lock, or AC-LOCK-COM1-SV for \$333 for a combination dial lock. Digital and dial locks may require additional set-up tools, see pages 6-7 for more information.

spruce mini



Model Numbers	Width	Length	Height	Bins	T1	T2	H1	HT
with legs								
SP-WSTL-1924-??	19	24	36	2	\$1,545	\$1,627	\$2,611	\$1,882
with casters								
SP-WSTC-1924-??	19	24	36	2	\$1,506	\$1,588	\$2,572	\$1,843
with plinth								
SP-WSTP-1924-??	19	24	36	2	\$1,345	\$1,433	\$2,416	\$1,688

- 3/4" thick panels are TFL or HPL with Deskmakers standard 2MM PVC edge banding, HPL self edge not available.
- Leg version is supported by (4x) 5 3/8" Stainless Steel legs with adjustable glides.
- Caster version is supported by (4x) 6" locking casters with 360° swivel.
- Plinth version has adjustable glides.
- Trash bezel is white powder-coated steel with (2x) 3 1/2"x10" cut-outs. No other colors/materials available.
- Ships assembled. Includes ToughGuy Square 16 gallon Waste Bins. (1 per unit.)
- Locks can be added, 1 per door. OP-LOCK-ADD for \$133 for a key lock. AC-LOCK-DIG1-SV for \$504 for digital lock, or AC-LOCK-COM1-SV for \$333 for a combination dial lock. Digital and dial locks may require additional set-up tools, see pages 6-7 for more information.

waste & recycling bins

Please note - plastic waste bins ship included with all Spruce and Tidy Collection Furniture. The items listed below are suitable for use as replacements for those bins, or to be used independently.



Model Numbers	Width	Length	Height	Capacity	Price
AC-TRSH-BIN1	11	22	25	16gal	\$277

- Rubbermaid SlimJim 16 gallon Trash Bin in grey. Weight capacity 60lbs.
- Can be used as a replacement bin for the TIDY collection.



Model Numbers	Width	Length	Height	Capacity	Price
AC-TRSH-BIN2	21 1/2	25	22 1/2	28gal	\$330

- Rubbermaid Square Brute 28 gallon Trash Bin in grey. Weight capacity 200lbs.



Model Numbers	Width	Length	Height	Capacity	Price
AC-TRSH-BIN3	15 1/2	16	21	19gal	\$238

- Tough Guy 16 gallon Trash Bin in beige. Weight capacity 60lbs.
- Can be used as a replacement bin for the SPRUCE collection.



Model Numbers	Width	Length	Height	Capacity	Price
AC-TRSH-BIN4	11	15	20	10gal	\$88

- Rubbermaid 10 gallon Trash Bin in beige. Weight capacity 45lbs.
- Can be used as a replacement bin for the SPRUCE MINI collection.



Model Numbers	Width	Length	Height	Capacity	Price
AC-TRSH-BIN5	11	15	20	10gal	\$88

- Rubbermaid 10 gallon Trash Bin in blue. Weight capacity 45lbs.
- Can be used as a replacement bin for the SPRUCE collection.

vinyl graphics



Model Numbers	Width	Length	Height	Capacity	Price
AC-TRSH-ICON-WT					\$32
AC-TRSH-ICON-BK					\$32

- Set of 5 vinyl graphics to label waste sorting units for different uses. Set Includes 1 each: Recycling, Paper, Waste, Plastic, Glass. Each decal is roughly 4.75" x 4.25" on a clear background. Available in Black or White.

**Please see website for current Terms and Conditions:
www.deskmakers.com**

Limited Lifetime Warranty

(Effective Only for Furniture Sold as of January 1, 2015)

DeskMakers, Inc. furniture is warranted against defects in material and workmanship given normal usage and care for as long the original purchaser owns it.

DeskMakers will repair or replace at its option, and at its own cost, any product that develops a defect during the warranty period. In some cases, DeskMakers may elect to refund the customer's original purchase price (less reasonable depreciation) in lieu of repair or replacement. Repair, replacement, or refund is the purchaser's sole remedy, the choice of which rests solely with DeskMakers. DeskMakers shall not be liable for any incidental or consequential damages including lost profits and loss of use of product.

Limitations

- The warranty for PVC edges, wood veneer edges, HPL edges, mechanical parts such as ball bearing slides, door hinges, floor glides, fabric (except for COM fabrics), seating foam, and wood veneer surfaces shall be limited to five (5) years.
- The warranty for training tables shall be limited to five (5) years.
- The warranty for engineered-to-order "custom" products shall be limited to three (3) years.
- The warranty for height-adjustable bases shall be limited to two (2) years and shall not include replacement labor.
- The warranty for electrical power-data grommets and components shall be limited to one year and shall not include replacement labor.
- The warranty for task lights shall be limited to 1 year and shall not include replacement labor.
- This warranty does not cover:
 - » Normal wear and tear.
 - » The color fastness of any laminate, wood, or fabric, as such colors can fade or darken with normal use and as a result of exposure to light.
 - » Customer's Own Materials (COM).
 - » Damage caused by placing anything other than hanging files in file drawers.
 - » Damage caused to any products by improper use of cleaning fluids.
 - » Rental furniture.
 - » Replacement labor and service charges.

Normal Usage

This warranty does not apply to damages or failures resulting from misuse, abuse, negligence, or improper care. For casegoods, tables, and desking, normal usage is limited to 40 hours per week.

Locations

Los Angeles

DeskMakers Headquarters
6525 Flotilla Street
Commerce, CA 90040

Dallas

Dallas Factory
1110 Inwood Road Suite 101
Dallas, TX 75247

DeskMakers

Phone: 323.264.2260 | Fax: 323.725.6960
www.deskmakers.com